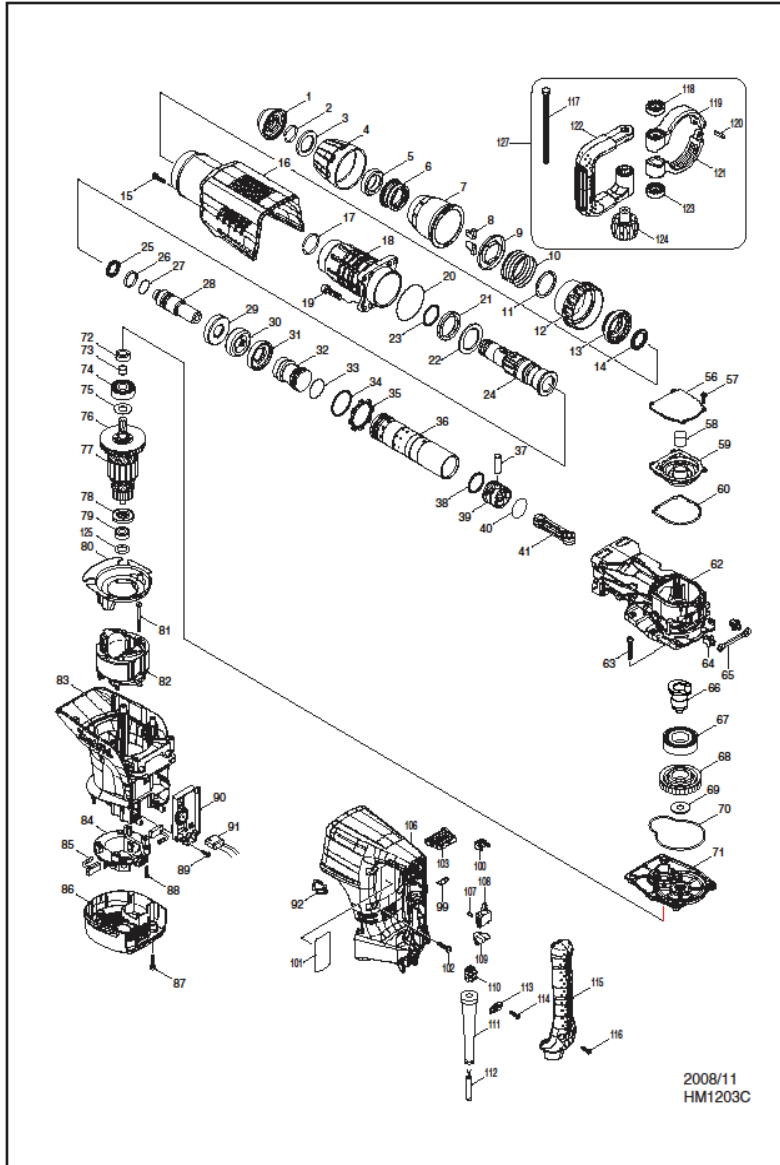


HM1203C



REF.	CODE	DESCRIPTION	UNIT	LIST	REF.	CODE	DESCRIPTION	UNIT
001	424165-8	TOOL HOLDER CAP	PC	078	681642-5	INSULATION WASHER	PC	
002	233973-4	RING SPRING 26	PC	079	210059-1	BALL BEARING 6000DDV	PC	
003	267386-7	FLAT WASHER 30	PC	080	450900-8	BAFFLE PLATE	PC	
004	450894-7	CHUCK COVER	PC	081	266095-5	TAPPING SCREW 5X55	PC	
005	262147-0	RUBBER RING	PC	082	636301-6	FIELD 115V	PC	
006	324987-5	CHUCK RING	PC	082	636303-2	FIELD 220-240V	PC	
007	450895-5	RELEASE COVER	PC	083	450904-0	MOTOR HOUSING	PC	
008	310279-8	TOOL RETAINER	PC	084	638447-4	BRUSH HOLDER UNIT	PC	
009	346015-6	SPRING GUIDE	PC	085	194412-8	CARBON BRUSH CB-171	SET	
010	234086-4	COMPRESSION SPRING 56	PC		086	450901-6	REAR COVER	PC
011	961232-3	RETAINING RING WRR-45	PC	087	266041-8	TAPPING SCREW 5X25	PC	
012	450893-9	CHANGE RING COVER	PC		088	265995-6	TAPPING SCREW 4X18	PC
013	324969-7	CHANGE RING	PC	089	266192-7	TAPPING SCREW X414	PC	
014	324988-3	LOCK RING	PC	090	631868-9	CONTROLLER	PC	
015	922243-3	HEX SOCKET HEAD BOLT M5X25	PC	090	631869-7	CONTROLLER	PC	
016	450903-2	HOUSING COVER	PC	091	638650-7	LEAD UNIT	PC	
017	233970-0	RING SPRING 35	PC	092	419010-0	LENS	PC	
018	158858-2	BARREL COMPLETE	PC	099	232209-8	LEAF SPRING	PC	
019	922456-6	HEX SOCKET HEAD BOLT M8X35	PC	100	450891-3	LEVER STOPPER	PC	
020	213720-9	O RING 67	PC	101	866622-4	NAME PLATE	PC	
021	262148-8	RUBBER RING 39	PC	102	266041-8	TAPPING SCREW 5X25	PC	
022	267387-5	FLAT WASHER 39	PC	103	450897-1	SLIDE LEVER	PC	
023	213079-4	O RING 35.5	PC		106	450907-4	HANDLE	PC
024	324985-9	TOOL HOLDER	PC	107	263027-3	RUBBER PIN 4	PC	
025	213980-3	X RING 21	PC	108	651423-1	SWITCH	PC	
026	213431-6	FLUORIDE RING 28	PC	109	423379-6	SPONGE SHEET	PC	
027	213394-6	O RING 23	PC	110	654531-7	TERMINAL BLOCK 2P	PC	
028	324990-6	IMPACT BOLT	PC	111	682560-0	CORD GUARD 10	PC	
029	324993-0	SHOULDER SLEEVE	PC	112	692623-4	POWER SUPPLY CORD 1.5-2-4.0	PC	
030	262149-6	RUBBER RING 24	PC	112	695228-9	POWER SUPPLY CORD 1.5-2-4.0	PC	
031	324993-0	SHOULDER SLEEVE	PC	113	687169-3	STRAIN RELIEF	PC	
032	324991-4	STRIKER	PC	114	265995-6	TAPPING SCREW 4X18	PC	
033	213499-2	O RING 31.5	PC		115	450908-2	HANDLE COVER	PC
034	213581-7	O RING 44	PC	116	265995-6	TAPPING SCREW 4X18	PC	
035	450889-0	ONE WAY VALVE GUIDE	PC	117	265439-6	HEX BOLT M8X150	PC	
036	331848-2	CYLINDER 40	PC		118	417002-3	SIDE HANDLE CAM	PC
037	268121-6	PIN 12	PC	119	318505-9	SIDE HANDLE BASE 82A	PC	
038	213499-2	O RING 31.5	PC		120	951166-8	SPRING PIN 5-24	PC
039	450961-8	PISTON	PC	121	318506-7	SIDE HANDLE BASE 82B	PC	
040	213149-9	O RING 35	PC	122	417003-1	SIDE HANDLE	PC	
041	450890-5	CONNECTING ROD	PC	123	417002-3	SIDE HANDLE CAM	PC	
056	450899-7	CRANK CAP COVER	PC	124	252640-2	WING NUT M8	PC	
057	911133-5	PAN HEAD SCREW M4X18	PC	125	267164-5	FLAT WASHER 15	PC	
058	443127-7	FILTER	PC	127	135269-8	SIDE HANDLE 82 ASSY INC. 117-124	PC	
059	450898-9	CRANK CAP	PC		A01	A-80787	BULL POINT 280 SDS-MAX PC	PC
060	424166-6	SEAL RING	PC		A02	194659-4	GREASE VESSEL SET PC	PC
062	318364-1	CRANK HOUSING	PC		A03	443122-7	CLOTH	PC
063	266483-8	HS BUTTON HEAD SCREW M6X40	PC		A04	824876-9	PLASTIC CARRYING CASE	PC
064	419008-7	FIX GUIDE	PC	C10	162271-8	LATCH	PC	
065	423366-5	CUSHION PLATE	PC	C20	325637-5	SHAFT	PC	
066	324994-8	CRANK SHAFT	PC	C30	450990-1	HANDLE	PC	
067	211424-7	BALL BEARING 6206LLU	PC	A05	809279-8	PLASTIC CASE LABEL	PC	
068	226691-1	HELICAL GEAR 57	PC	E01	655030-2	PLUG UK TYPE 16A-4H/110V	PC	
069	267398-0	FLAT WASHER 12	PC	E02	654091-9	NON-INSULATED TERMINAL	PC	
070	424167-4	SEAL RING	PC					
071	158859-0	GEAR HOUSING COMPLETE	PC					
072	213231-4	OIL SEAL 15	PC					
073	331596-3	SLEEVE 12	PC					
074	211249-9	BALL BEARING 6302LLU	PC					
075	267397-2	FLAT WASHER 15	PC					
076	240003-4	FAN 80	PC					
077	517815-3	ARMATURE ASSY 100-115V	PC					
077	517818-7	ARMATURE ASSY 220-240V	PC					
D10		INC. 73-767879						