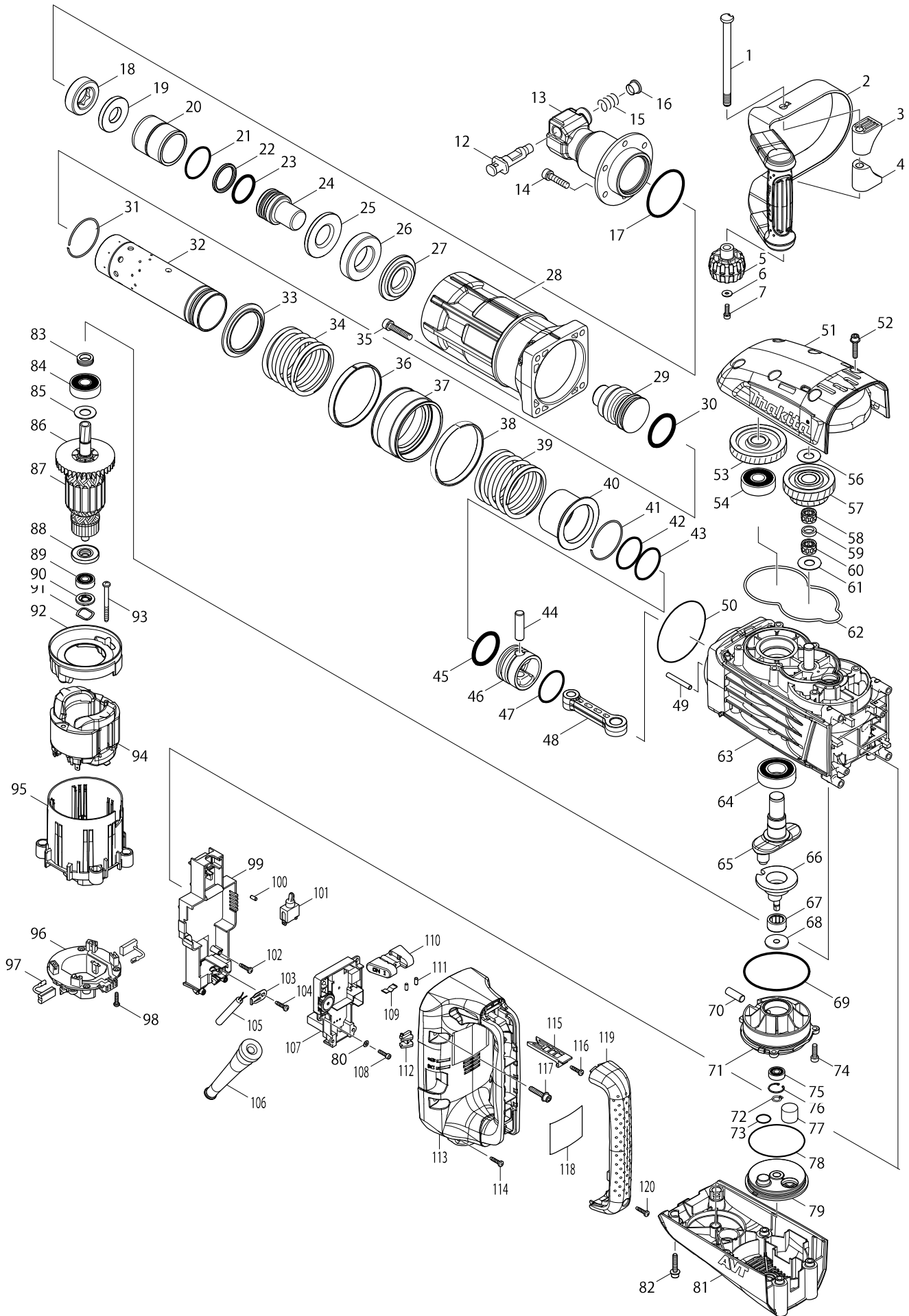


# Model No. HM1317C ELECTRIC BREAKER



# Model No. HM1317C ELECTRIC BREAKER

Item	Parts No.	Description	I/C	QTY	N/O	Opt. 1	Opt. 2	NOTE
001	266512-5	SET BOLT M10X142		1	100			
002	163506-0	SIDE HANDLE		1	100			
003	451331-4	HANDLE BASE		1	100			
004	451331-4	HANDLE BASE		1	100			
005	252654-1	THUMB NUT M10		1	100			
006	253194-2	FLAT WASHER 5		1	154			
007	922221-3	HEX. SOCKET HEAD BOLT M5X16		1	100			
012	324099-4	TOOL RETAINER		1	100			
013	331866-0	TOOL HOLDER		1	100			
014	266011-7	HEX. SOCKET HEAD BOLT M8X35		6	100			
015	233309-7	COMPRESSION SPRING 17		1	100			
016	324135-6	RETAINER SLEEVE		1	100			
017	213720-9	O RING 67		1	100			
018	262150-1	URETHAN RING		1	100			
019	267401-7	FLAT WASHER 24		1	100			
020	257782-7	SLEEVE 43		1	100			
021	213569-7	O RING 45		1	100			
022	213192-8	X-RING 36		1	100			
023	213150-4	O-RING 36		1	100			
024	325682-0	IMPACT BOLT		1	100			
025	325683-8	WASHER 30		1	100			
026	424206-0	RUBBER RING 36		1	100			
027	325684-6	SHOULDER RING 32		1	100			
028	318458-2	BARREL		1	100			
029	325685-4	STRIKER		1	100			
030	213193-6	O-RING 42		1	100			
031	233977-6	RING SPRING 55		1	100			
032	331870-9	CYLINDER 52		1	100			
033	451168-9	SHOULDER SLEEVE		1	100			
034	234111-1	COMPRESSION SPRING 66		1	100			
035	265367-5	HEX. SOCKET HEAD BOLT M8X40		4	100			
036	451169-7	WEIGHT GUIDE		1	100			
037	331867-8	COUNTER WEIGHT		1	100			
038	451169-7	WEIGHT GUIDE		1	100			
039	234111-1	COMPRESSION SPRING 66		1	100			
040	331868-6	SLIDE SLEEVE		1	100			
041	233977-6	RING SPRING 55		1	100			
042	213569-7	O RING 45		1	100			
043	213569-7	O RING 45		1	100			
044	256238-7	PIN 12		1	100			
045	213193-6	O-RING 42		1	100			
046	318459-0	PISTON		1	100			
047	213569-7	O RING 45		1	100			
048	451164-7	CONNECTING ROD		1	100			
049	268241-6	PIN 6		1	100			
050	213806-9	O RING 90		1	100			
051	318462-1	GEAR COVER		1	100			
052	266499-1	H.S HEAD BOLT M6X30 WITH GM		6	100			

# Model No. HM1317C ELECTRIC BREAKER

Item	Parts No.	Description	I/C	QTY	N/O	Opt. 1	Opt. 2	NOTE
053	227709-1	HELICAL GEAR 47		1		100		
054	211306-3	BALL BEARING 6204LLB		1		100		
056	267166-1	FLAT WASHER 14		1		100		
057	226156-3	GEAR COMPLETE 31-43		1		100		
058	212159-3	NEEDLE CAGE 1412		1		100		
059	262157-7	NYLON RING 14		1		100		
060	212159-3	NEEDLE CAGE 1412		1		100		
061	267166-1	FLAT WASHER 14		1		100		
062	424207-8	SEAL RING		1		100		
063	140056-2	CRANK HOUSING COMPLETE		1		100		
064	211373-8	BALL BEARING 6205LLU		1		100		
065	331871-7	CRANK SHAFT		1		100		
066	331869-4	COUNTER SHAFT		1		100		
067	212264-6	NEEDLE ROLLER BEARING 1813		1		100		
068	325686-2	SHOULDER WASHER 8		1		100		
069	213809-3	O RING 87		1		100		
070	268240-8	PIN 10		1		100		
071	140057-0	BEARING BOX COMPLETE		1		100		
072	961004-6	RETAINING RING S-8		1		100		
073	213261-5	O RING 17		1		100		
074	265844-7	HEX. SOCKET HEAD BOLT M6X20		3		100		
075	211032-4	BALL BEARING 608ZZ		1		100		
076	962112-6	RETAINING RING R-22		1		100		
077	443127-7	FILTER		1		100		
078	213758-4	O RING 74		1		100		
079	451166-3	CRANK CAP COVER		1		100		
080A	941051-3	FLAT WASHER 4		2	*	100		
080-1A	346546-5	PLATE	X	2	*	100		
081	451167-1	REAR COVER		1		100		
082	266499-1	H.S HEAD BOLT M6X30 WITH GM		6		100		
083	331855-5	SEALING SCREW		1		100		
084	211249-9	BALL BEARING 6302LLU		1		100		
085	267397-2	FLAT WASHER 15		1		100		
086	240003-4	FAN 80		1		100		
D10		INC. 84-86,88,89						
087A	517785-6	ARMATURE ASSEMBLY 100-115V		1		151		
087B	517788-0	ARMATURE ASSEMBLY 220-240V		1				
088	681642-5	INSULATION WASHER		1		100		
089	210059-1	BALL BEARING 6000DDW		1		100		
090	451107-9	WASHER GUIDE		1		100		
091	267809-5	WAVE WASHER 19		1		100		
092	451111-8	BAFFLE PLATE		1		100		
093	266044-2	TAPPING SCREW 5X60		2		100		
094A	636331-7	FIELD 115V		1		152		
094B	636333-3	FIELD 220-240V		1				
095	451117-6	MOTOR HOUSING		1		100		
096A	638447-4	BRUSH HOLDER UNIT		1	*	100		
096-1A	632D00-2	BRUSH HOLDER UNIT	<	1				

# Model No. HM1317C ELECTRIC BREAKER

Item	Parts No.	Description	I/C	QTY	N/O	Opt. 1	Opt. 2	NOTE
096-1B	632D00-2	BRUSH HOLDER UNIT		1				
097A	194412-8	CARBON BRUSH CB-171		1	*	100		
097-1A	195844-2	CARBON BRUSH CB-175	O	1		100		
097-1B	195844-2	CARBON BRUSH CB-175		1		100		
098	265995-6	TAPPING SCREW 4X18		4		100		
099A	158986-3	CONTROLLER COVER COMPLETE		1	*	100		
099-1A	158986-3	CONTROLLER COVER COMPLETE	S	1		100		
099-1B	158986-3	CONTROLLER COVER COMPLETE		1		100		
100	263027-3	RUBBER PIN 4		1		100		
101	651423-1	SWITCH		1		100		
102	265995-6	TAPPING SCREW 4X18		2		100		
103	687169-3	STRAIN RELIEF		1		100		
104	265995-6	TAPPING SCREW 4X18		1		100		
105A	695228-9	POWER SUPPLY CORD 1.5-2-4.0		1		100		
105B	692623-4	POWER SUPPLY CORD 1.5-2-4.0		1		100		
106	682560-0	CORD GUARD 10		1		100		
107A	631919-8	CONTROLLER		1	*	100		
107-1A	631919-8	CONTROLLER	S	1	*	100		
107-2A	620229-8	CONTROLLER	S	1		100		
107-2B	620230-3	CONTROLLER		1		100		
108A	265490-6	HEX. SOCKET HEAD BOLT M4X16		2	*	100		
108-1A	266834-3	H.S.H.BOLT M4X18 WITH GM	S	2		100		
108-1B	266834-3	H.S.H.BOLT M4X18 WITH GM		2		100		
109	232209-8	LEAF SPRING		1		100		
110	451112-6	SLIDE LEVER		1		100		
111	263027-3	RUBBER PIN 4		2		100		
112	451105-3	LENS		1		100		
113	451118-4	HANDLE		1		100		
114	265995-6	TAPPING SCREW 4X18		1		100		
115	451106-1	SWITCH LEVER		1		100		
116	265995-6	TAPPING SCREW 4X18		1		100		
117	266499-1	H.S HEAD BOLT M6X30 WITH GM		4		100		
118	867300-9	HM1317C NAME PLATE		1		100		
119	451119-2	HANDLE COVER		1		100		
120	265995-6	TAPPING SCREW 4X18		2		100		
121A	442180-0	BOTH SIDE ADHESIVE TAPE	S	1	*	100		
122A	126091-4	CONTROLLER ASSEMBLY		1	*	100		
D10		INC. 99,102,107,121			*			
122-1A	141799-9	CONTROLLER ASSEMBLY	<	1	*	100		
D10		INC. 99,102,107,121			*			
A01A	D-31924	BULL POINT 400 BULK		1	*			
A01-1A	D-15285	BULL POINT 400	<	1				
A01-1B	D-15285	BULL POINT 400		1				
A02	824897-1	PLASTIC CARRYING CASE		1				
C10	162271-8	LATCH		2		100		
A03	809555-0	HM1317C PLASTIC CASE LABEL		2		100		
E01A	655030-2	PLUG UK TYPE 16A-4H/110V		1				
E02A	654091-9	NON-INSULATED TERMINAL1.25-2AF		2		100		