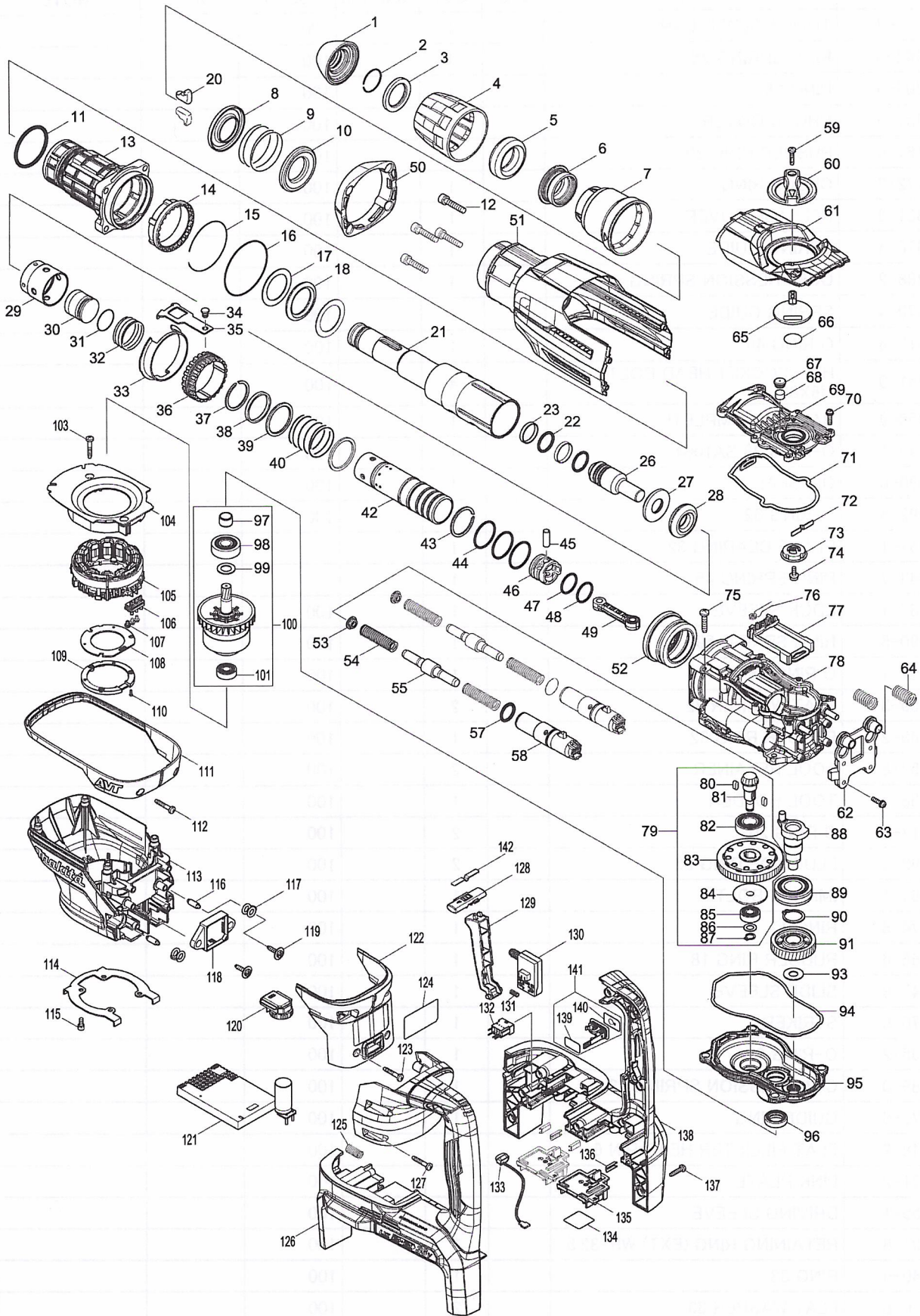


Model No.DHR400 40MM CORDLESS ROTARY HAMMER



Model No.DHR400 40MM CORDLESS ROTARY HAMMER

Item	Parts No.	Description	I/C	QTY	New/Old	Opt. 1	Opt. 2	NOTE
001	286292-7	TOOL HOLDER CAP		1		100		
002	233948-3	RING SPRING 25		1		100		
003	257308-5	RING 28		1		100		
004	454330-5	CHUCK COVER		1		100		
005	262167-4	RUBBER RING 30		1		100		
006	326272-2	CHUCK RING		1		100		
007	454331-3	RELEASE COVER		1		100		
008	346670-4	SPRING GUIDE		1		100		
009	234288-2	COMPRESSION SPRING 46		1		100		
010	346670-4	SPRING GUIDE		1		100		
011	213615-6	O RING 46		1		100		
012	922351-0	HEX. SOCKET HEAD BOLT M6X30		4		100		
013	141956-9	BARREL COMPLETE		1		100		
C10	213246-1	O-RING 38 SA1004		1		100		
C20	213490-0	OIL SEAL 32		1		100		
C30	213492-6	O-RING 32		1		100		
C40	214457-1	PLANE BEARING 32		1				
C50	233963-7	RING SPRING 45		1				
014	454337-1	LOCK SLEEVE		1		100		
015	234290-5	RING SPRING 59		1		100		
016	213707-1	O RING 65		1		100		
017	267469-3	FLAT WASHER 32		2		100		
018	262168-2	RUBBER RING 32		1		100		
020	310257-8	TOOL RETAINER		2		100		
021	326268-3	TOOL HOLDER		1		100		
022	213317-4	O RING 20		2		100		
023	213392-0	FLUORIDE RING 25		2		100		
026	326269-1	IMPACT BOLT		1		100		
027	326274-8	RING 17		1		100		
028	262166-6	RUBBER RING 18		1		100		
029	454347-8	SLIDE SLEEVE		1		100		
030	326270-6	STRIKER		1		100		
031	213695-2	O-RING 22		1		100		
032	234289-0	COMPRESSION SPRING 33		1		100		
033	346673-8	GUIDE RING		1		100		
034	256548-2	FLAT FILLISTER HEAD PIN 6		1		100		
035	346671-2	LINK PLATE		1		100		
036	313255-1	DRIVING SLEEVE		1		100		
037	257991-8	RETAINING RING (EXT) WR-32.5		1		100		
038	257340-9	RING 33		1		100		
039	267470-8	FLAT WASHER 33		2		100		
040	234287-4	COMPRESSION SPRING 34		1		100		
042	332063-1	CYLINDER 28.5		1		100		
043	257991-8	RETAINING RING (EXT) WR-32.5		1		100		
044	213406-5	O RING 30		3		100		

Please order the parts with part number.

Print Date 22/10/2019

Model No.DHR400 40MM CORDLESS ROTARY HAMMER

Item	Parts No.	Description	I/C	QTY	New/Old	Opt. 1	Opt. 2	NOTE
045	256197-5	PIN 7		1		100		
046	419004-5	PISTON		1		100		
047	213379-2	O RING 21		1		100		
048	213695-2	O-RING 22		1		100		
049	454317-7	CONNECTING ROD		1		100		
050	424560-2	HOUSING CAP		1		100		
051	141957-7	HOUSING COVER A COMPLETE		1		100		
052	227613-4	SPIRAL BEVEL GEAR 26		1		100		
053	454342-8	SPRING PLATE		2		100		
054	234286-6	COMPRESSION SPRING 11		4		100		
055	326273-0	COUNTER WEIGHT		2		100		
057	213325-5	O RING 19		2		100		
058	142289-5	HOLDER COMPLETE		2		100		
059	265995-6	TAPPING SCREW 4X18		1		100		
060	454326-6	CHANGE LEVER		1		100		
061	319652-9	CRANK CAP COVER		1				
062	458098-5	SPRING HOLDER		1				
063	911128-8	P.H.SCREW M4X16 WITH WR		4		100		
064	234282-4	COMPRESSION SPRING 12		2		100		
065	454345-2	CRANK LEVER		1		100		
066	213262-3	O RING 18		1		100		
067	424556-3	FILTER CAP		1		100		
068	443182-9	FILTER		1		100		
069	454319-3	CRANK CAP		1		100		
070	911128-8	P.H.SCREW M4X16 WITH WR		6		100		
071	424559-7	SEAL RING B		1		100		
072	232280-2	LEAF SPRING		1		100		
073	458100-4	LINK LEVER		1				
074	911511-9	PAN HEAD SCREW M4X10		1		100		
075	266041-8	TAPPING SCREW 5X25		4		100		
076	233603-7	TORSION SPRING 7		1		100		
077	454338-9	LINK GUIDE		1		100		
078	141953-5	CRANK HOUSING A COMPLETE		1		100		
079	126290-8	TORQUE LIMITER ASSEMBLY		1		100		
D10		INC. 80-87						
080	254239-9	KEY 4		2		100		
081	227612-6	SPIRAL BEVEL GEAR 7		1		100		
082	211232-6	BALL BEARING 6002LLU		1		100		
083	141959-3	TORQUE LIMITER COMPLETE		1		100		
084	324727-1	SHOULDER WASHER 8		1		100		
085	210005-4	BALL BEARING 608DDW		1		100		
086	253215-0	FLAT WASHER 8		1		100		
087	961004-6	RETAINING RING S-8		1		100		
088	326271-4	CRANK SHAFT		1		100		
089	210183-0	BALL BEARING 6004LLU		1				

Please order the parts with part number.

Print Date 22/10/2019

Model No.DHR400 40MM CORDLESS ROTARY HAMMER

Item	Parts No.	Description	I/C	QTY	New/Old	Opt. 1	Opt. 2	NOTE
090	961060-6	RETAINING RING S-20		1		100		
091	227772-4	HELICAL GEAR 37		1		100		
093	253180-3	FLAT WASHER 10		1		100		
094	424558-9	SEAL RING A		1		100		
095	141955-1	GEAR HOUSING COMPLETE		1		100		
096	213231-4	OIL SEAL 15		1		100		
097	331596-3	SLEEVE 12		1		100		
098	211137-0	BALL BEARING 6201LLU		1		100		
099	253744-3	FLAT WASHER 12		1		100		
100	519492-7	ROTOR ASS'Y		1				
D10		INC. 97-99,101						
101	210005-4	BALL BEARING 608DDW		1		100		
103	265999-8	TAPPING SCREW 4X25		2		100		
104	458099-3	BAFFLE PLATE		1				
105	629335-6	STATOR		1				
106	632L39-3	LEAD UNIT		1				
107	652031-1	PAN HEAD SCREW M3X6		3				
108	620795-5	CONTROLLER B		1				
109C	687877-6	STOPPER		1	*			
109D	687877-6	STOPPER		1	*			
109-1C	687B69-9	STOPPER	<	1				
109-1D	687B69-9	STOPPER	<	1				
109-1E	687B69-9	STOPPER		1				
109-1F	687B69-9	STOPPER		1				
110	266490-9	TAPPING SCREW PT 2X6		3				
111	454348-6	GUARD 40		1		100		
112	265999-8	TAPPING SCREW 4X25		2		100		
113	458051-1	MOTOR HOUSING		1				
114	347299-9	GUIDE PLATE		1				
115	922111-0	HEX. SOCKET HEAD BOLT M4X10		4		100		
116	256380-4	SHOULDER PIN 4-6		2				
117C	422241-2	DOUBLE O-RING		2				
117D	422241-2	DOUBLE O-RING		2				
117E	422462-6	SPONGE WASHER		4				
117F	422462-6	SPONGE WASHER		4				
118C	620797-1	ACCELEROMETER CIRCUIT		1				
118D	620797-1	ACCELEROMETER CIRCUIT		1				
118E	620997-3	ACCELEROMETER CIRCUIT		1				
118F	620997-3	ACCELEROMETER CIRCUIT		1				
119	251599-0	TAPPING SCREW 4X18		2				
120	620796-3	DIAL CIRCUIT		1				
121C	620794-7	CONTROLLER		1				
121D	620794-7	CONTROLLER		1				
121E	620996-5	CONTROLLER		1				
121F	620996-5	CONTROLLER		1				

Please order the parts with part number.

Print Date 22/10/2019

Model No.DHR400 40MM CORDLESS ROTARY HAMMER

Item	Parts No.	Description	I/C	QTY	New/Old	Opt. 1	Opt. 2	NOTE
122	458054-5	CONTROLLER COVER		1				
123	265999-8	TAPPING SCREW 4X25		2		100		
124	854C13-9	DHR400 NAME PLATE		1				
125	232411-3	COMPRESSION SPRING 8		1				
126C	183J10-3	HOUSING SET		1	*			
C10	263005-3	RUBBER PIN 6		8	*	100		
D10		INC. 138			*			
126-1C	183J10-3	HOUSING SET	<	1				
C10	263005-3	RUBBER PIN 6		8		100		
D10		INC. 138						
126-1D	183J10-3	HOUSING SET		1				
C10	263005-3	RUBBER PIN 6		8		100		
D10		INC. 138						
126-1E	183L07-4	HOUSING SET		1				
C10	263005-3	RUBBER PIN 6		8		100		
D10		INC. 138						
126-1F	183L07-4	HOUSING SET		1				
C10	263005-3	RUBBER PIN 6		8		100		
D10		INC. 138						
127	265999-8	TAPPING SCREW 4X25		4		100		
128	458096-9	TRIGGER LOCK		1				
129	458097-7	SWITCH LEVER		1				
130	651083-9	SWITCH C3XA-1PSPM		1				
131	232418-9	COMPRESSION SPRING 5		1				
132	632L47-4	CONNECTOR UNIT		1				
133	620549-0	LED CIRCUIT		1				
134	854C21-0	DHR400 SERIAL NO. LABEL		1				
135	644809-6	TERMINAL		2				
136	346783-1	PLATE		4		100		
137	265995-6	TAPPING SCREW 4X18		9		100		
138C	183J10-3	HOUSING SET		1	*			
C10	263005-3	RUBBER PIN 6		8	*	100		
D10		INC. 126			*			
138-1C	183J10-3	HOUSING SET	<	1				
C10	263005-3	RUBBER PIN 6		8		100		
D10		INC. 126						
138-1D	183J10-3	HOUSING SET		1				
C10	263005-3	RUBBER PIN 6		8		100		
D10		INC. 126						
138-1E	183L07-4	HOUSING SET		1				
C10	263005-3	RUBBER PIN 6		8		100		
D10		INC. 126						
138-1F	183L07-4	HOUSING SET		1				
C10	263005-3	RUBBER PIN 6		8		100		
D10		INC. 126						

Model No.DHR400 40MM CORDLESS ROTARY HAMMER

Item	Parts No.	Description	I/C	QTY	New/Old	Opt. 1	Opt. 2	NOTE
139C	213275-4	O RING 18		1	*	100		
139D	213275-4	O RING 18		1	*	100		
139-1C	213218-6	O RING 16	<	1		100		
139-1D	213218-6	O RING 16	<	1		100		
139-1E	213218-6	O RING 16		1		100		
139-1F	213218-6	O RING 16		1		100		
140C	816A25-8	CAP LABEL		1	*			
140D	816A25-8	CAP LABEL		1	*			
140-1C	818H07-8	CAP LABEL	<	1				
140-1D	818H07-8	CAP LABEL	<	1				
140-1E	818H07-8	CAP LABEL		1				
140-1F	818H07-8	CAP LABEL		1				
141C	183H95-7	CAP SET		1	*			
D10		INC. 139,140			*			
141D	183H95-7	CAP SET		1	*			
D10		INC. 139,140			*			
141-1C	183J86-0	CAP SET	O	1	*			
D10		INC. 139,140			*			
141-1D	183J86-0	CAP SET	O	1	*			
D10		INC. 139,140			*			
141-2C	140F99-0	CAP COMPLETE	<	1				
D10		INC. 139,140						
141-2D	140F99-0	CAP COMPLETE	<	1				
D10		INC. 139,140						
141-2E	140F99-0	CAP COMPLETE		1				
D10		INC. 139,140						
141-2F	140F99-0	CAP COMPLETE		1				
D10		INC. 139,140						
142	232280-2	LEAF SPRING		1		100		
A01	123138-5	SIDE GRIP ASSEMBLY		1		100		
A02	196792-8	SIDE HANDLE 73 SET		1		100		
A03	198993-4	GREASE VESSEL SET		1				
A04	821746-3	PLASTIC CASE		1				
C10	162271-8	LATCH		2		100		
A05	331955-1	DEPTH GAUGE		1		100		
A06C	198900-7	WIRELESS UNIT SET		1				
A06E	198900-7	WIRELESS UNIT SET		1				
A07	443122-7	CLOTH		1		100		
E01C	818S16-3	CLEAR LABEL		1				
E01D	818S16-3	CLEAR LABEL		1				
E01E	818S16-3	CLEAR LABEL		1				
E01F	818S16-3	CLEAR LABEL		1				
E02E	267721-9	WAVE WASHER 15		1		100		
E02F	267721-9	WAVE WASHER 15		1		100		

Please order the parts with part number.

Print Date 22/10/2019