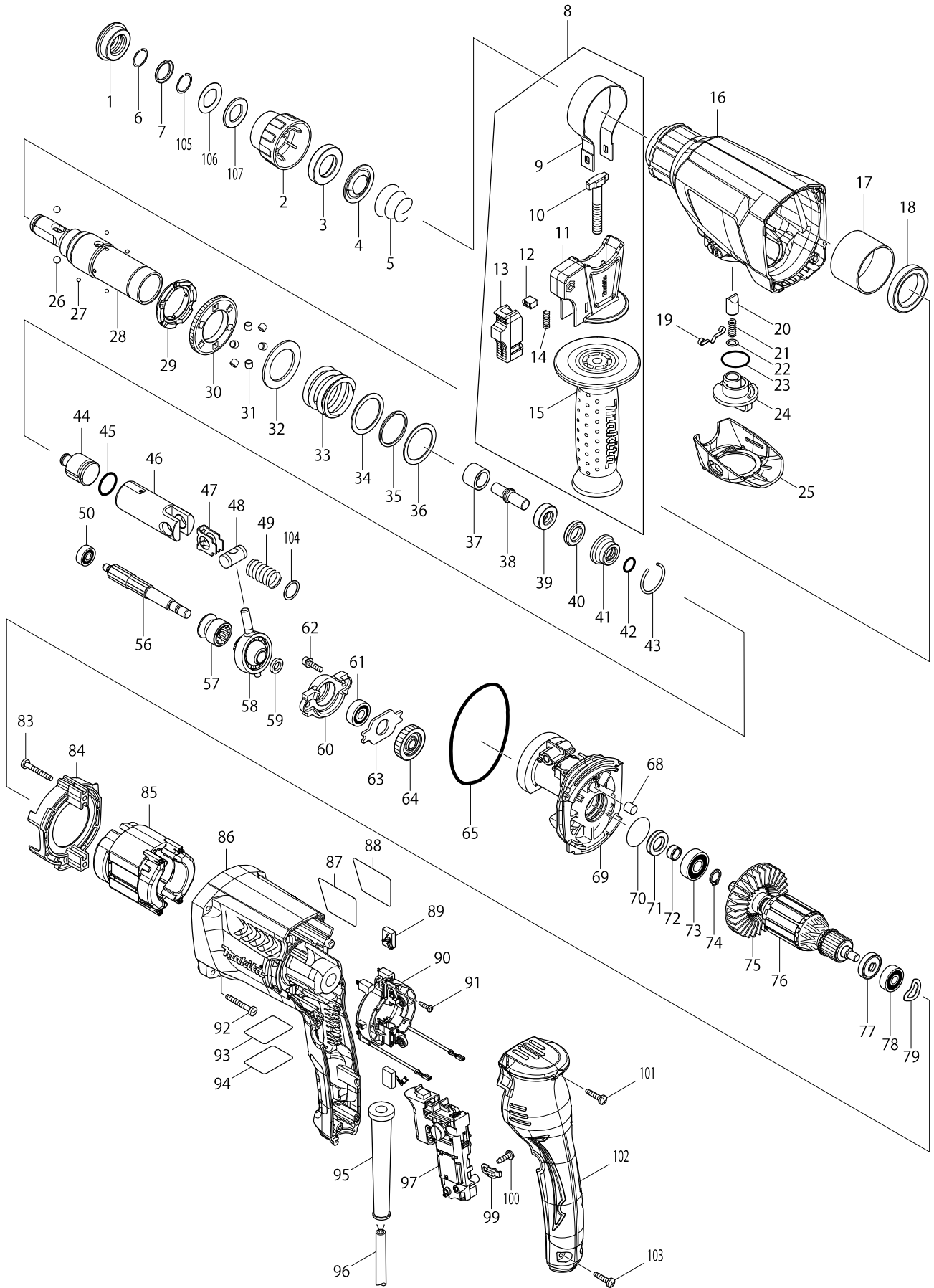


# Model No. HR2600 26MM ROTARY HAMMER



# Model No. HR2600 26MM ROTARY HAMMER

Item	Parts No.	Description	I/C	QTY	N/O	Opt. 1	Opt. 2	NOTE
001	286288-8	CAP 35		1		100		
002	451533-2	CHUCK COVER		1	*	100		
002-1	455393-4	CHUCK COVER	S	1				
003	325813-1	RING 21		1		100		
004	346177-0	GUIDE WASHER		1		100		
005	233916-6	CONICAL COMP. SPRING 21-29		1		100		
006	233989-9	RING SPRING 14		1		100		
007	346221-3	WASHER 16		1	*	100		
007-1	346834-0	WASHER 16	S	1				
008	122878-2	GRIP ASSEMBLY		1				
D10		INC. 9-15						
009	346181-9	GRIP SPRING 50		1		100		
010	266349-0	SQUARE BOLT M8X50		1		100		
011	451539-0	GRIP BASE		1		100		
012A	313179-1	RACK		1	*	100		
012B	313179-1	RACK		1	*	100		
012C	313179-1	RACK		1	*	100		
012D	313179-1	RACK		1	*	100		
012E	313179-1	RACK		1	*	100		
012F	313179-1	RACK		1	*	100		
013A	451540-5	LOCK BUTTON		1	*	100		
013B	451540-5	LOCK BUTTON		1	*	100		
013C	451540-5	LOCK BUTTON		1	*	100		
013D	451540-5	LOCK BUTTON		1	*	100		
013E	451540-5	LOCK BUTTON		1	*	100		
013F	451540-5	LOCK BUTTON		1	*	100		
013-1A	141765-6	LOCK BUTTON COMPLETE	S	1		100		
013-1B	141765-6	LOCK BUTTON COMPLETE	S	1		100		
013-1C	141765-6	LOCK BUTTON COMPLETE	S	1		100		
013-1D	141765-6	LOCK BUTTON COMPLETE	S	1		100		
013-1E	141765-6	LOCK BUTTON COMPLETE	S	1		100		
013-1F	141765-6	LOCK BUTTON COMPLETE	S	1		100		
013-1G	141765-6	LOCK BUTTON COMPLETE		1		100		
013-1H	141765-6	LOCK BUTTON COMPLETE		1		100		
014	233360-7	COMPRESSION SPRING 4		1		100		
015	154935-8	GRIP 36 COMPLETE		1				
016	140270-0	GEAR HOUSING COMPLETE		1		100		
C10	213345-9	OIL SEAL 25		1		100		
017	331890-3	CUP SLEEVE		1		100		
018	211294-4	BALL BEARING 6806LLU		1		100		
019	232152-1	LEAF SPRING		1		100		
020	325785-0	PUSH CORN		1		100		
021	234147-0	COMPRESSION SPRING 5		1		100		
022	253308-3	THIN WASHER 6		1		100		
023	213381-5	O RING 21		1		100		
024	451531-6	CHANGE LEVER B		1		100		
025	451532-4	CHANGE LEVER COVER B		1		100		
026	216022-2	STEEL BALL 7.0		2		100		

# Model No. HR2600 26MM ROTARY HAMMER

Item	Parts No.	Description	I/C	QTY	N/O	Opt. 1	Opt. 2	NOTE
027	216019-1	STEEL BALL 3		4		100		
028	140264-5	TOOL HOLDER COMPLETE		1	*	100		
028-1	142973-2	TOOL HOLDER COMPLETE	<	1				
029	313149-0	DRIVING FLANGE		1	*			
029-1	332139-4	DRIVING FLANGE	S	1				
030	227232-6	SPUR GEAR 51		1	*	100		
030-1	227360-7	SPUR GEAR 51	S	1				
031	268226-2	PIN 6		6	*	100		
032	267414-8	FLAT WASHER 30		1	*	100		
033	234148-8	COMPRESSION SPRING 31		1		100		
034	267153-0	FLAT WASHER 30		1		100		
035	257932-4	SPIRO LOCK WASHER 30		1		100		
036	267153-0	FLAT WASHER 30		1		100		
037	325782-6	SLEEVE 9A		1		100		
038	325789-2	IMPACT BOLT A		1		100		
039	325794-9	RING 10A		1		100		
040	424267-0	CUSHION RING 12		1		100		
041	325798-1	O-RING CASE A		1		100		
042	213073-6	O RING 9		1		100		
043	233979-2	RING SPRING 28		1		100		
044	325784-2	STRIKER		1		100		
045	213258-4	O RING 17.5		1		100		
046	310345-1	PISTON CYLINDER		1		100		
047	346036-8	GUIDE PLATE		1		100		
048	324215-8	PISTON JOINT		1		100		
049	234098-7	COMPRESSION SPRING 14		1		100		
050	211012-0	BALL BEARING 606ZZ		1	*	100		
050-1	210028-2	BALL BEARING 606ZZ	O	1		100		
056	227243-1	SPUR GEAR 10		1		100		
057	331815-7	CLUTCH CAM B		1		100		
058	219020-5	SWASH BEARING 10		1		100		
059	267234-0	FLAT WASHER 8		1		100		
060	310344-3	BEARING BOX		1		100		
061	211032-4	BALL BEARING 608ZZ		1		100		
062	266437-3	HEX. SOCKET HEAD BOLT M4X16		2		100		
063	285735-6	BEARING RETAINER		1		100		
064	227719-8	HELICAL GEAR 26		1		100		
065	213728-3	O-RING 68		1		100		
068A	443153-6	FELT		1	*	100		
068B	443153-6	FELT		1	*	100		
068C	443153-6	FELT		1	*	100		
068D	443153-6	FELT		1	*	100		
068E	443153-6	FELT		1	*	100		
068F	443153-6	FELT		1	*	100		
069A	140269-5	INNER HOUSING COMPLETE		1	*	100		
069B	140269-5	INNER HOUSING COMPLETE		1	*	100		
069C	140269-5	INNER HOUSING COMPLETE		1	*	100		
069D	140269-5	INNER HOUSING COMPLETE		1	*	100		

Item	Parts No.	Description	I/C	QTY	N/O	Opt. 1	Opt. 2	NOTE
069E	140269-5	INNER HOUSING COMPLETE		1	*	100		
069F	140269-5	INNER HOUSING COMPLETE		1	*	100		
069-1A	141572-7	INNER HOUSING COMPLETE	S	1	*	100		
069-1B	141572-7	INNER HOUSING COMPLETE	S	1	*	100		
069-1C	141572-7	INNER HOUSING COMPLETE	S	1	*	100		
069-1D	141572-7	INNER HOUSING COMPLETE	S	1	*	100		
069-1E	141572-7	INNER HOUSING COMPLETE	S	1	*	100		
069-1F	141572-7	INNER HOUSING COMPLETE	S	1	*	100		
069-2A	141572-7	INNER HOUSING COMPLETE	O	1		100		
069-2B	141572-7	INNER HOUSING COMPLETE	O	1		100		
069-2C	141572-7	INNER HOUSING COMPLETE	O	1		100		
069-2D	141572-7	INNER HOUSING COMPLETE	O	1		100		
069-2E	141572-7	INNER HOUSING COMPLETE	O	1		100		
069-2F	141572-7	INNER HOUSING COMPLETE	O	1		100		
069-2G	141572-7	INNER HOUSING COMPLETE		1		100		
069-2H	141572-7	INNER HOUSING COMPLETE		1		100		
070	213407-3	O RING 26		1		100		
071A	213133-4	OIL SEAL 12		1	*	100		
071B	213133-4	OIL SEAL 12		1	*	100		
071C	213133-4	OIL SEAL 12		1	*	100		
071D	213133-4	OIL SEAL 12		1	*	100		
071E	213133-4	OIL SEAL 12		1	*	100		
071F	213133-4	OIL SEAL 12		1	*	100		
071-1A	213678-2	OIL SEAL 12	O	1		100		
071-1B	213678-2	OIL SEAL 12	O	1		100		
071-1C	213678-2	OIL SEAL 12	O	1		100		
071-1D	213678-2	OIL SEAL 12	O	1		100		
071-1E	213678-2	OIL SEAL 12	O	1		100		
071-1F	213678-2	OIL SEAL 12	O	1		100		
071-1G	213678-2	OIL SEAL 12		1		100		
071-1H	213678-2	OIL SEAL 12		1		100		
072	262569-4	SLEEVE 9		1		100		
073	211097-6	BALL BEARING 6000LLB		1		100		
074	961006-2	RETAINING RING S-10		1		100		
075	240121-8	FAN 65		1		100		
D10		INC. 72-75,77,78						
076A	518156-0	ARMATURE ASSEMBLY 115V		1		151		
076B	515359-7	ARMATURE ASSEMBLY 240V		1		151		
076C	518156-0	ARMATURE ASSEMBLY 115V		1		151		
076D	515359-7	ARMATURE ASSEMBLY 240V		1		151		
076E	518156-0	ARMATURE ASSEMBLY 115V		1		151		
076F	515359-7	ARMATURE ASSEMBLY 240V		1		151		
076G	518156-0	ARMATURE ASSEMBLY 115V		1		151		
076H	515359-7	ARMATURE ASSEMBLY 240V		1		151		
077	681652-2	INSULATION WASHER		1		100		
078	210023-2	BALL BEARING 627DDW		1		100		
079	267804-5	WAVE WASHER 15		1		100		
083	266361-0	TAPPING SCREW 4X30		2		100		

# Model No. HR2600 26MM ROTARY HAMMER

Item	Parts No.	Description	I/C	QTY	N/O	Opt. 1	Opt. 2	NOTE
084	451527-7	BAFFLE PLATE		1		100		
085A	628185-6	FIELD 115V		1		152		
085B	626634-7	FIELD 240V		1		152		
085C	628185-6	FIELD 115V		1		152		
085D	626634-7	FIELD 240V		1		152		
085E	628185-6	FIELD 115V		1		152		
085F	626634-7	FIELD 240V		1		152		
085G	628185-6	FIELD 115V		1		152		
085H	626634-7	FIELD 240V		1		152		
086	451536-6	MOTOR HOUSING		1		100		
087	867673-0	HR2600 NAME PLATE		1		100		
088	819390-8	CLEAR LABEL		1		100		
089	194074-2	CARBON BRUSH CB-325		1		100		
090	638655-7	BRUSH HOLDER UNIT		1		100		
091	266556-5	TAPPING SCREW 3X12		2		100		
092	266361-0	TAPPING SCREW 4X30		4		100		
093	867676-4	HR2600 SERIAL NO.LABEL		1		100		
094	819389-3	CLEAR LABEL		1		100		
095	682566-8	CORD GUARD 10		1		100		
096A	665940-5	POWER SUPPLY CORD 1.0-2-4.0		1		100		
096B	692502-6	POWER SUPPLY CORD 1.0-2-4.0		1		100		
096C	665940-5	POWER SUPPLY CORD 1.0-2-4.0		1		100		
096D	692502-6	POWER SUPPLY CORD 1.0-2-4.0		1		100		
096E	665940-5	POWER SUPPLY CORD 1.0-2-4.0		1		100		
096F	692502-6	POWER SUPPLY CORD 1.0-2-4.0		1		100		
096G	665940-5	POWER SUPPLY CORD 1.0-2-4.0		1		100		
096H	692502-6	POWER SUPPLY CORD 1.0-2-4.0		1		100		
097	650625-6	SWITCH		1		100		
099	687682-1	STRAIN RELIEF		1		100		
100	266385-6	TAPPING SCREW 4X14		1		100		
101	266326-2	TAPPING SCREW 4X18		1		100		
102	451528-5	HANDLE COVER		1		100		
103	266326-2	TAPPING SCREW 4X18		2		100		
104	267447-3	FLAT WASHER 14		1		100		
105	233992-0	RING SPRING 15		1		100		
106	267437-6	FLAT WASHER 17		1	*	100		
106-1	267114-0	FLAT WASHER 17	S	1		100		
107	424364-2	RUBBER WASHER 16		1	*	100		
A01	331886-4	DEPTH GAUGE		1				
A02A	824914-7	PLASTIC CARRYING CASE		1				
C10	162302-3	LATCH		2		100		
C20	324207-7	SHAFT		1		100		
C30	451749-9	HANDLE		1				
A02B	824914-7	PLASTIC CARRYING CASE		1				
C10	162302-3	LATCH		2		100		
C20	324207-7	SHAFT		1		100		
C30	451749-9	HANDLE		1				
A02C	824914-7	PLASTIC CARRYING CASE		1				

# Model No. HR2600 26MM ROTARY HAMMER

Item	Parts No.	Description	I/C	QTY	N/O	Opt. 1	Opt. 2	NOTE
C10	162302-3	LATCH		2		100		
C20	324207-7	SHAFT		1		100		
C30	451749-9	HANDLE		1				
A02D	824914-7	PLASTIC CARRYING CASE		1				
C10	162302-3	LATCH		2		100		
C20	324207-7	SHAFT		1		100		
C30	451749-9	HANDLE		1				
A02E	824914-7	PLASTIC CARRYING CASE		1				
C10	162302-3	LATCH		2		100		
C20	324207-7	SHAFT		1		100		
C30	451749-9	HANDLE		1				
A02F	824914-7	PLASTIC CARRYING CASE		1				
C10	162302-3	LATCH		2		100		
C20	324207-7	SHAFT		1		100		
C30	451749-9	HANDLE		1				
A02G	821550-0	CONNECTOR PLASTIC CASE (TYPE2)		1				
C10	453974-8	LATCH		4		100		
A02H	821550-0	CONNECTOR PLASTIC CASE (TYPE2)		1				
C10	453974-8	LATCH		4		100		
A03A	816423-0	HR2600 PLASTIC CASE LABEL		2		100		
A03B	816423-0	HR2600 PLASTIC CASE LABEL		2		100		
A03C	816428-0	HR2600X PLASTIC CASE LABEL		2				
A03D	816428-0	HR2600X PLASTIC CASE LABEL		2				
A03E	816429-8	HR2600X1 PLASTIC CASE LABEL		2				
A03F	816429-8	HR2600X1 PLASTIC CASE LABEL		2				
A03G	803L31-8	HR2600J PLASTIC CASE LABEL		2				
A03H	803L31-8	HR2600J PLASTIC CASE LABEL		2				
A04C	D-03888	SDS-PLUS BIT SET		3				
A04D	D-03888	SDS-PLUS BIT SET		3				
A04E	D-03888	SDS-PLUS BIT SET		3				
A04F	D-03888	SDS-PLUS BIT SET		3				
A05E	122823-7	KEYLESS DRILL CHUCK ASSEMBLY		1				
A05F	122823-7	KEYLESS DRILL CHUCK ASSEMBLY		1				
A06G	803L30-0	HR2600J INDICATION LABEL		1				
A06H	803L30-0	HR2600J INDICATION LABEL		1				
A07G	837651-4	INNER TRAY		1				
A07H	837651-4	INNER TRAY		1				
E01A	655030-2	PLUG UK TYPE 16A-4H/110V		1				
E01C	655030-2	PLUG UK TYPE 16A-4H/110V		1				
E01E	655030-2	PLUG UK TYPE 16A-4H/110V		1				
E01G	655030-2	PLUG UK TYPE 16A-4H/110V		1				
E02A	654091-9	NON-INSULATED TERMINAL1.25-2AF		2		100		
E02C	654091-9	NON-INSULATED TERMINAL1.25-2AF		2		100		
E02E	654091-9	NON-INSULATED TERMINAL1.25-2AF		2		100		
E02G	654091-9	NON-INSULATED TERMINAL1.25-2AF		2		100		