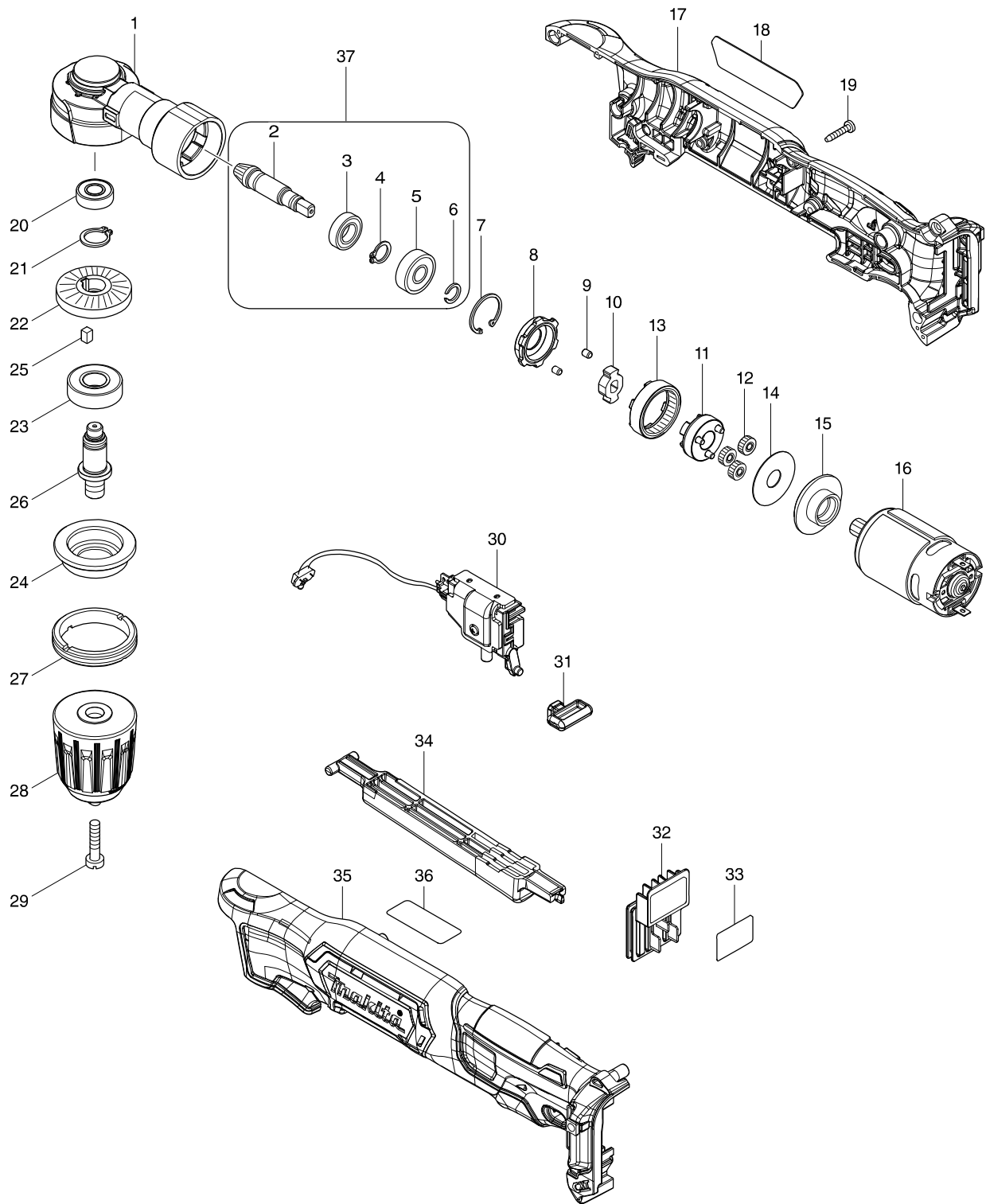


Model No. DA333D 10MM CORDLESS ANGLE DRILL



Model No. DA333D 10MM CORDLESS ANGLE DRILL

Item	Parts No.	Description	I/C	QTY	N/O	Opt. 1	Opt. 2	NOTE
001	319635-9	GEAR HOUSING		1				
002	221570-8	SPIRAL BEVEL GEAR 6		1				
003	210171-7	BALL BEARING 6800ZZ		1				
004	961006-2	RETAINING RING S-10		1		100		
005	210029-0	BALL BEARING 608ZZ		1		100		
006	961034-7	RETAINING RING		1		100		
007	962102-9	RETAINING RING R-22		1		100		
008	310831-2	LOCK RING		1				
009	256372-3	PIN 3.5		2				
010	310832-0	LOCK CAM		1				
011	144702-9	CARRIER COMPLETE		1				
012	221572-4	SPUR GEAR 17		3				
013	221569-3	INTERNAL GEAR 48		1				
014	253396-0	FLAT WASHER 10		1				
015	457972-4	MOTOR BRACKET		1				
016	629291-0	DC MOTOR		1				
017	183H38-9	HOUSING SET		1				
C10	252126-6	HEX. LOCKING NUT M4-7		2		100		
D10		INC. 35						
018	853T75-6	DA333D NAME PLATE		1				
019	266130-9	TAPPING SCREW BIND PT 3X16		9		100		
020	211166-3	BALL BEARING 698DDW		1				
021	961052-5	RETAINING RING S-12		1		100		
022	227603-7	SPIRAL BEVEL GEAR 31		1		100		
023	210163-6	BALL BEARING 6001DDW		1				
024	317633-7	BEARING BOX		1		100		
025	254201-4	KEY 4		1		100		
026	327015-5	SPINDLE		1				
027	285842-5	BEARING RETAINER 36-43		1		100		
028	763228-8	KEYLESS DRILL CHUCK 10		1				
029	251451-2	- PAN HEAD SCREW M5X22		1		100		
030	651097-8	SWITCH C3HW-3A-PLF5MS-W		1				
031	450126-2	FR CHANGE LEVER		1		100		
032	644813-5	TERMINAL		1				
033	853T79-8	DA333D SERIAL NO. LABEL		1				
034	457973-2	SWITCH LEVER		1				
035	183H38-9	HOUSING SET		1				
C10	252126-6	HEX. LOCKING NUT M4-7		2		100		
D10		INC. 17						
037	135922-6	GEAR ASSEMBLY		1	*			
D10		INC. 2-6			*			
037-1	135922-6	GEAR ASSEMBLY	O	1				
D10		INC. 2-6,38						
038	253310-6	THIN WASHER 10		1		100		
A01	784244-7	+ BIT 2-50		1				
A02	346909-5	HOOK		1				
A03	251314-2	+ SCREW M4X12		1		100		
A04B	***DC10WC	DC10WC BATTERY CHARGER		1				

