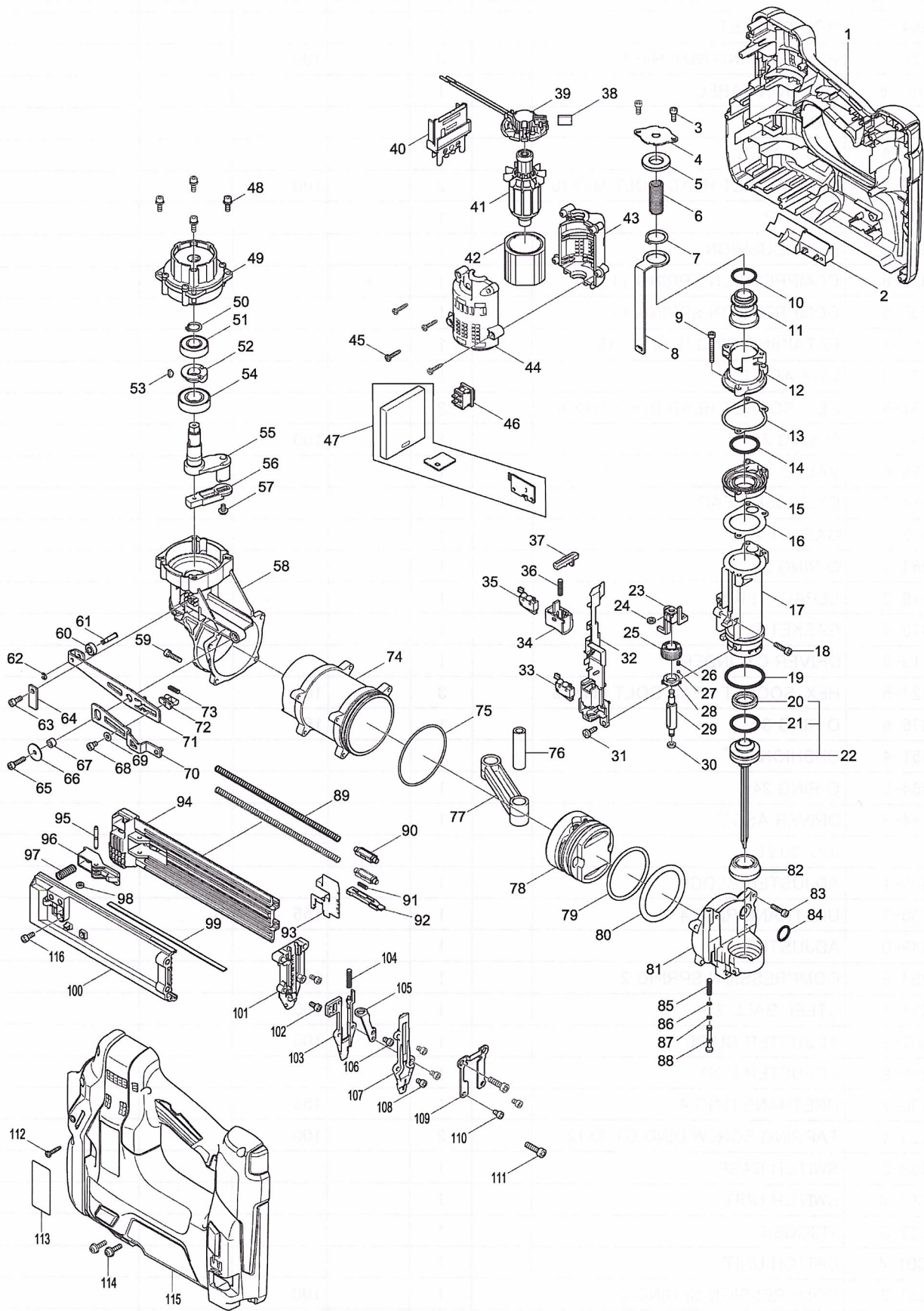


Model No.DBN500 50MM CORDLESS BRAD NAILER



Model No.DBN500 50MM CORDLESS BRAD NAILER

Item	Parts No.	Description	I/C	QTY	New/Old	Opt. 1	Opt. 2	NOTE
001	187864-0	HOUSING SET		1				
C10	252126-6	HEX. LOCKING NUT M4-7		2		100		
C20	803N94-6	CAUTION LABEL		1				
D10		INC. 115						
002	454946-6	LED COVER		1				
003	922112-8	HEX. SOCKET HEAD BOLT M4X10		2		100		
004	346773-4	TOPCAP		1				
005	424625-0	REAR CUSHION		1				
006	234327-8	COMPRESSION SPRING 11		1	*			
006-1	234393-5	COMPRESSION SPRING 11	<	1				
007	961059-1	RETAINING RING (EXT) S-19		1				
008	346776-8	LINK ARM B		1				
009	922157-6	HEX. SOCKET HEAD BOLT M4X30		3				
010	213381-5	O RING 21		1		100		
011	326398-0	VALVE		1				
012	319114-7	CYLINDER HEAD		1				
013	423472-6	GASKET A		1				
014	213364-5	O RING 24		1				
015	319116-3	SEPARATER		1				
016	423473-4	GASKET B		1				
017	319113-9	DRIVER CYLINDER		1				
018	922127-5	HEX. SOCKET HEAD BOLT M4X16		3		100		
019	213475-6	O RING 34		1		155		
020	421551-4	CUSHION "P"		1				
021	213364-5	O RING 24		1				
022	135644-8	DRIVER ASS'Y		1				
D10		INC. 20,21						
023	310585-1	ADJUSTER BLOCK		1				
024	262130-7	URETHANE RING 4		1		155		
025	454949-0	ADJUSTER		1				
026	234254-9	COMPRESSION SPRING 2		1		100		
027	216031-1	STEEL BALL 2.3		1		100		
028	453807-7	ADJUSTER GUIDE		1		100		
029	326399-8	ADJUSTER ROD		1				
030	262130-7	URETHANE RING 4		1		155		
031	266026-4	TAPPING SCREW BIND CT 4X12		2		100		
032	454938-5	SWITCH BASE		1				
033	632C01-4	SWITCH UNIT		1				
034	454939-3	TRIGGER		1				
035	632C01-4	SWITCH UNIT		1				
036	234037-7	COMPRESSION SPRING 5		1		100		
037	454952-1	TRIGGER LOCK		1				
038	194427-5	CARBON BRUSH CB-440		1		100		
039	632B92-9	BRUSH HOLDER COMPLETE		1				
040	643860-3	TERMINAL		1		100		

Model No.DBN500 50MM CORDLESS BRAD NAILER

Item	Parts No.	Description	I/C	QTY	New/Old	Opt. 1	Opt. 2	NOTE
041	619339-6	ARMATURE		1				
042	638989-8	YOKE UNIT		1		100		
043	187809-8	MOTOR HOUSING SET		1				
D10		INC. 44						
044	187809-8	MOTOR HOUSING SET		1				
D10		INC. 43						
045	266130-9	TAPPING SCREW BIND PT 3X16		4		100		
046	651533-4	SWITCH SLE6A2-33		1		100		
047	620291-3	CONTROLLER		1				
048	266273-7	HEX. SOCKET HEAD BOLT M4X12		4		100		
049	126398-8	GEAR ASSEMBLY		1				
050	961052-5	RETAINING RING S-12		1		100		
051	210107-6	BALL BEARING 6001ZZ		1				
052	313276-3	EDGE CAM		1				
053	254031-3	WOODRUFF KEY 3		1		100		
054	211243-1	BALL BEARING 6002ZZ		1		100		
055	332100-1	CRANK		1				
056	142440-7	MAGNET BASE COMPLETE		1				
057	911109-2	PAN HEAD SCREW M4X8		1		100		
058	319112-1	CRANK CASE		1				
059	922127-5	HEX. SOCKET HEAD BOLT M4X16		4		100		
060	210036-3	BALL BEARING 604ZZ		1		100		
061	256553-9	PIN4		1				
062	961017-7	STOP RING E-3		1		100		
063	922112-8	HEX. SOCKET HEAD BOLT M4X10		1		100		
064	346778-4	PLATE B		1				
065	922127-5	HEX. SOCKET HEAD BOLT M4X16		1		100		
066	267071-2	FLAT WASHER 4		1		100		
067	257822-1	SLEEVE 8		1				
068	922102-1	HEX. SOCKET HEAD BOLT M4X6		1		100		
069	941051-3	FLAT WASHER 4		1		100		
070	142442-3	SUB ARM COMPLETE		1				
071	346775-0	LINK ARM A		1				
072	310587-7	SLIDER		1				
073	234119-5	COMPRESSION SPRING 3		1				
074	332099-0	MAIN CYLINDER		1				
075	213709-7	O RING 63		1		100		
076	332101-9	PIPE 12		1				
077	454937-7	CONECTING ROD		1				
078	454944-0	PISTON A		1				
079	213605-9	O RING 50		1		100		
080	213609-1	O RING 50		1				
081	319115-5	CYLINDER END		1				
082	424624-2	CUSHION		1				
083	922127-5	HEX. SOCKET HEAD BOLT M4X16		4		100		

Please order the parts with part number.

Print Date 22/10/2019

Model No.DBN500 50MM CORDLESS BRAD NAILER

Item	Parts No.	Description	I/C	QTY	New/Old	Opt. 1	Opt. 2	NOTE
084	213162-7	O RING 14		1		100		
085	234329-4	COMPRESSION SPRING 4		1				
086	213044-3	O RING 3		1		100		
087	213044-3	O RING 3		1		100		
088	326401-7	VALVE STEM		1				
089	234325-2	COMPRESSION SPRING 6		2				
090	454940-8	SLEEVE		2				
091	234326-0	COMPRESSION SPRING 3		1				
092	310584-3	STOPPER		1				
093	346782-3	PUSHER		1				
094	454942-4	SLIDE DOOR		1				
095	256793-9	PIN 3		1				
096	454945-8	LOCK LEVER		1				
097	233197-2	COMPRESSION SPRING 7		1		100		
098	262054-7	URETHANE RING 3		1		100		
099	346774-2	NAIL PLATE		1				
100	454943-2	MAGAZINE		1				
C10	931102-0	HEX. NUT M4		1		100		
101	310588-5	SET PLATE		1				
102	265911-8	HEX. SOCKET HEAD BOLT M4X8		2		155		
103	142443-1	CENTER PLATE COMPLETE		1				
104	234328-6	COMPRESSION SPRING 4		1				
105	346779-2	ARM		1				
106	922102-1	HEX. SOCKET HEAD BOLT M4X6		1		100		
107	310586-9	DRIVER GUIDE		1				
108	922102-1	HEX. SOCKET HEAD BOLT M4X6		3		100		
109	346777-6	PLATE A		1				
110	922102-1	HEX. SOCKET HEAD BOLT M4X6		2		100		
111	266369-4	HEX SOCKET HEAD BOLT M5X20		2		155		
112	266130-9	TAPPING SCREW BIND PT 3X16		10		100		
113	815P33-6	DBN500 NAME PLATE		1				
114	911118-1	PAN HEAD SCREW M4X12		2		100		
115	187864-0	HOUSING SET		1				
C10	252126-6	HEX. LOCKING NUT M4-7		2		100		
C20	803N94-6	CAUTION LABEL		1				
D10		INC. 1						
116	922112-8	HEX. SOCKET HEAD BOLT M4X10		1		100		
A01	195246-2	SAFETY GOGGLE		1	*			
A02	251314-2	+ SCREW M4X12		1		100		
A03	346317-0	HOOK		1				
A04	424121-8	NOSE ADAPTER		2	*			
A04-1	424121-8	NOSE ADAPTER	O	2				
A05	783201-2	HEX. WRENCH 3		1				
A06	821551-8	CONNECTOR PLASTIC CASE (TYPE3)		1				
C10	453974-8	LATCH		4		100		

Please order the parts with part number.

Print Date 22/10/2019

Model No.DBN500 50MM CORDLESS BRAD NAILER

Item	Parts No.	Description	I/C	QTY	New/Old	Opt. 1	Opt. 2	NOTE
A07	838023-6	INNER TRAY		1				
A08	803V13-0	DBN500ZJ INDICATION LABEL		1				
A09	803V14-8	DBN500ZJ PLASTIC CASE LABEL		2				

Please order the parts with part number.

Print Date 22/10/2019