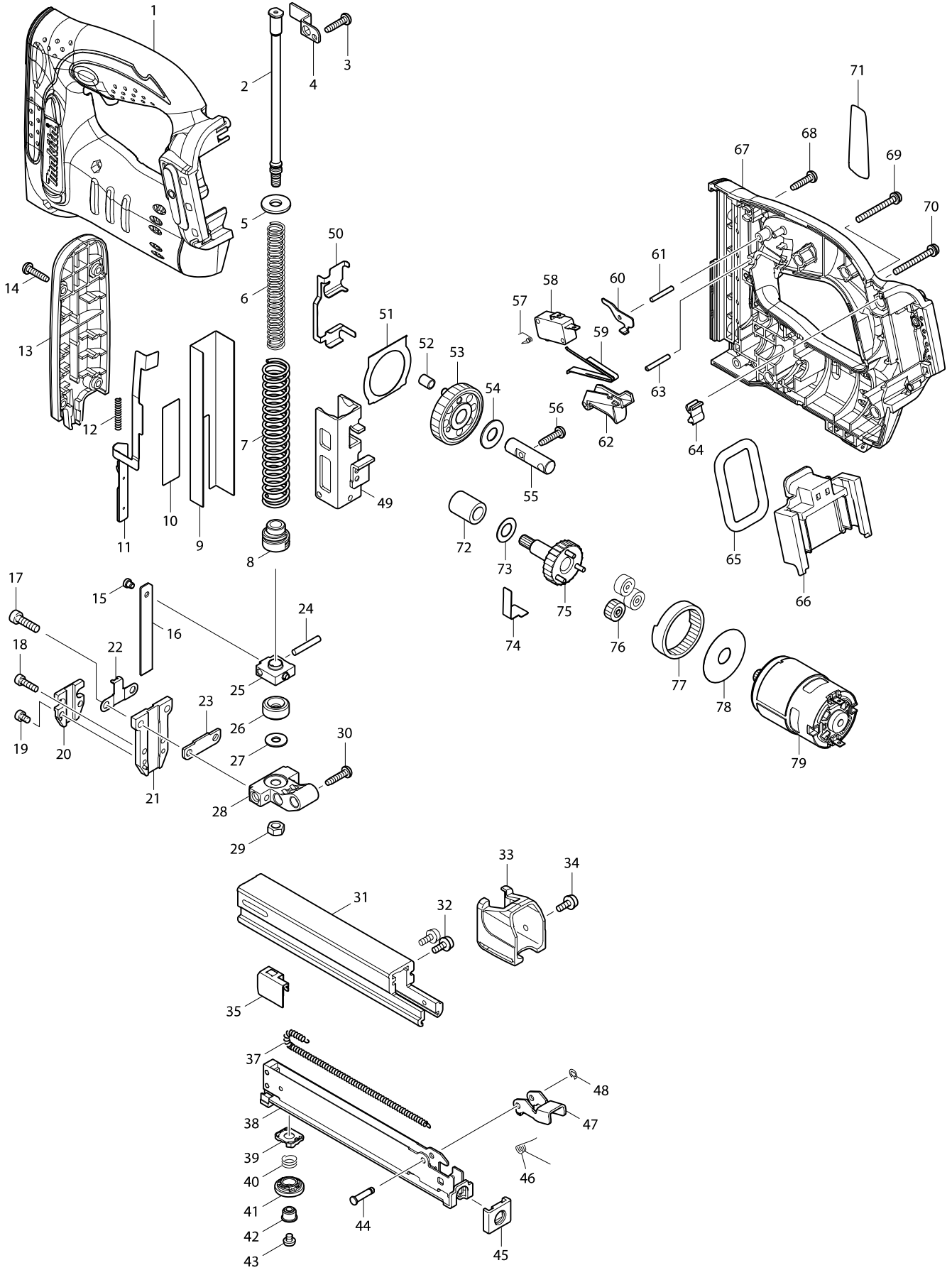


Model No. DST221 CORDLESS STAPLER



Model No. DST221 CORDLESS STAPLER

| Item | Parts No. | Description | I/C | QTY | N/O | Opt. 1 | Opt. 2 | NOTE |
|-------|-----------|------------------------------|-----|-----|-----|--------|--------|------|
| 001 | 187938-7 | HOUSING SET | | 1 | | | | |
| C10 | 263005-3 | RUBBER PIN 6 | | 2 | | 100 | | |
| D10 | | INC. 67 | | | | | | |
| 002 | 325635-9 | GUIDE BOLT | | 1 | | 100 | | |
| 003 | 265995-6 | TAPPING SCREW 4X18 | | 1 | | 100 | | |
| 004 | 345907-6 | FIX PLATE | | 1 | | 100 | | |
| 005 | 253762-1 | FLAT WASHER 8 | | 1 | | 100 | | |
| 006 | 234060-2 | COMPRESSION SPRING 9 | | 1 | | 100 | | |
| 007 | 234101-4 | COMPRESSION SPRING 13 | | 1 | | 100 | | |
| 008 | 424135-7 | SPRING HOLDER | | 1 | | 100 | | |
| 009 | 345978-3 | GUIDE PLATE | | 1 | | 100 | | |
| 010 | 345906-8 | UPPER PLATE | | 1 | | 100 | | |
| 011 | 165602-0 | SAFETY LEVER | | 1 | * | 100 | | |
| 011-1 | 161468-6 | SAFETY LEVER | S | 1 | | | | |
| 012 | 234078-3 | COMPRESSION SPRING 4 | | 1 | | 100 | | |
| 013 | 450539-7 | FRONT COVER | | 1 | | 100 | | |
| 014 | 265995-6 | TAPPING SCREW 4X18 | | 4 | | 100 | | |
| 015 | 268157-5 | PIN 4 | | 1 | | 100 | | |
| 016 | 345996-1 | DRIVER | | 1 | | 100 | | |
| 017 | 922227-1 | HEX. SOCKET HEAD BOLT M5X18 | | 2 | | 100 | | |
| 018 | 266201-2 | HEX.SOCKET HEAD BOLT M4X14 | | 2 | | 100 | | |
| 019 | 266199-3 | HEX.SOCKET HEAD BOLT M4X6 | | 2 | | 100 | | |
| 020 | 451801-3 | SAEFTY LEVER GUIDE | | 1 | * | 100 | | |
| 020-1 | 456800-0 | SAEFTY LEVER GUIDE | S | 1 | | | | |
| 021 | 158759-4 | DRIVER GUIDE COMPLETE | | 1 | | 100 | | |
| 022 | 345910-7 | SPRING BASE | | 1 | | 100 | | |
| 023 | 344670-8 | SET PLATE | | 1 | | 100 | | |
| 024 | 256206-0 | PIN 4 | | 1 | | 100 | | |
| 025 | 313150-5 | DRIVER LOCK | | 1 | | 100 | | |
| 026 | 424099-5 | CUSHION | | 1 | | 100 | | |
| 027 | 253804-1 | FLAT WASHER 6 | | 1 | | 100 | | |
| 028 | 318267-9 | HOLDER | | 1 | | 100 | | |
| 029 | 931302-2 | HEX. NUT M6 | | 1 | | 100 | | |
| 030 | 265995-6 | TAPPING SCREW 4X18 | | 1 | | 100 | | |
| 031 | 331842-4 | MAIN MAGAZINE | | 1 | | 100 | | |
| 032 | 911113-1 | PAN HEAD SCREW M4X10 WITH WR | | 2 | | 100 | | |
| 033 | 450540-2 | END CAP | | 1 | | 100 | | |
| 034 | 911113-1 | PAN HEAD SCREW M4X10 WITH WR | | 1 | | 100 | | |
| 035 | 345997-9 | PUSHER | | 1 | | 100 | | |
| 037 | 231854-6 | TENSION SPRING 3 | | 1 | | 100 | | |
| 038 | 165532-5 | SUB MAGAZINE | | 1 | | 100 | | |
| 039 | 450775-5 | ADJUSTER BASE | | 1 | | 100 | | |
| 040 | 231323-7 | COMPRESSION SPRING 9 | | 1 | | 100 | | |
| 041 | 450702-2 | ADJUSTER | | 1 | | 100 | | |
| 042 | 450774-7 | LOCK SLEEVE | | 1 | | 100 | | |
| 043 | 265127-5 | + PAN HEAD SCREW M4X4 | | 1 | | 100 | | |
| 044 | 268029-4 | PIN 4 | | 1 | | 100 | | |
| 045 | 421637-4 | MAGAZINE END | | 1 | | 100 | | |

Model No. DST221 CORDLESS STAPLER

| Item | Parts No. | Description | I/C | QTY | N/O | Opt. 1 | Opt. 2 | NOTE |
|------|-----------|--------------------------------|-----|-----|-----|--------|--------|------|
| 046 | 233528-5 | TORSION SPRING 5 | | 1 | 100 | | | |
| 047 | 345861-4 | LEVER | | 1 | 100 | | | |
| 048 | 961017-7 | STOP RING E-3 | | 1 | 100 | | | |
| 049 | 165506-6 | HAMMER | | 1 | 100 | | | |
| 050 | 345914-9 | SLIDE PLATE | | 1 | 100 | | | |
| 051 | 343629-2 | PLATE | | 1 | 100 | | | |
| 052 | 257772-0 | SLEEVE 5 | | 1 | 100 | | | |
| 053 | 158646-7 | SPUR GEAR 55 COMPLETE | | 1 | 100 | | | |
| 054 | 253171-4 | FLAT WASHER 10 | | 1 | 100 | | | |
| 055 | 324947-7 | PIN 10 | | 1 | 100 | | | |
| 056 | 265995-6 | TAPPING SCREW 4X18 | | 1 | 100 | | | |
| 057 | 233531-6 | TORSION SPRING 3 | | 1 | 100 | | | |
| 058 | 651891-8 | SWITCH V-15-3A6 | | 1 | 100 | | | |
| 059 | 232240-4 | LEAF SPRING | | 1 | 100 | | | |
| 060 | 345908-4 | RELEASE PLATE | | 1 | 100 | | | |
| 061 | 256221-4 | PIN 3 | | 1 | 100 | | | |
| 062 | 450536-3 | TRIGGER | | 1 | 100 | | | |
| 063 | 256221-4 | PIN 3 | | 1 | 100 | | | |
| 064 | 424026-2 | CUSHION | | 1 | 100 | | | |
| 065 | 424030-1 | CUSHION | | 1 | 100 | | | |
| 066 | 644812-7 | TERMINAL | | 1 | | | | |
| 067 | 187938-7 | HOUSING SET | | 1 | | | | |
| C10 | 263005-3 | RUBBER PIN 6 | | 2 | 100 | | | |
| D10 | | INC. 1 | | | | | | |
| 068 | 265995-6 | TAPPING SCREW 4X18 | | 6 | 100 | | | |
| 069 | 911163-6 | PAN HEAD SCREW M4X35 | | 1 | 100 | | | |
| 070 | 911163-6 | PAN HEAD SCREW M4X35 | | 1 | 100 | | | |
| 071 | 815X68-5 | DST221 NAME PLATE | | 1 | | | | |
| 072 | 214058-5 | PLANE BEARING 10 | | 1 | 100 | | | |
| 073 | 253758-2 | FLAT WASHER 10 | | 1 | 100 | | | |
| 074 | 232241-2 | LEAF SPRING | | 1 | 100 | | | |
| 075 | 158647-5 | SPUR GEAR 7 COMPLETE | | 1 | 100 | | | |
| 076 | 221961-3 | SPUR GEAR 27 | | 3 | 100 | | | |
| 077 | 221999-8 | INTERNAL GEAR 69 | | 1 | 100 | | | |
| 078 | 267053-4 | FLAT WASHER 12 | | 1 | 100 | | | |
| 079 | 629125-7 | DC MOTOR | | 1 | 100 | | | |
| A01 | 195246-2 | SAFETY GOGGLE | | 1 | | | | |
| A02 | 251314-2 | + SCREW M4X12 | | 1 | 100 | | | |
| A03 | 346317-0 | HOOK | | 1 | | | | |
| A04F | 141074-3 | PLASTIC CARRYING CASE COMPLETE | | 1 | | | | |
| C10 | 324667-3 | SHAFT | | 1 | 100 | | | |
| C20 | 413098-2 | PLATE | | 4 | 100 | | | |
| C30 | 417724-5 | LATCH | | 2 | | | | |
| C40 | 419215-2 | PLASTIC CASE LID | | 1 | 100 | | | |
| C50 | 419216-0 | HANDLE | | 1 | 100 | | | |
| A04H | 821550-0 | CONNECTOR PLASTIC CASE (TYPE2) | | 1 | | | | |
| C10 | 453974-8 | LATCH | | 4 | 100 | | | |
| A04I | 821550-0 | CONNECTOR PLASTIC CASE (TYPE2) | | 1 | | | | |

Model No. DST221 CORDLESS STAPLER

| Item | Parts No. | Description | I/C | QTY | N/O | Opt. 1 | Opt. 2 | NOTE |
|--------|-----------|--------------------------------|-----|-----|-----|--------|--------|------|
| C10 | 453974-8 | LATCH | | 4 | | 100 | | |
| A04J | 821550-0 | CONNECTOR PLASTIC CASE (TYPE2) | | 1 | | | | |
| C10 | 453974-8 | LATCH | | 4 | | 100 | | |
| A05F | 804N06-2 | DST221RFE PLASTIC CASE LABEL | | 1 | | | | |
| A05H | 837640-9 | INNER TRAY | | 1 | | | | |
| A05I | 837640-9 | INNER TRAY | | 1 | | | | |
| A05J | 837640-9 | INNER TRAY | | 1 | | | | |
| A06F | 194204-5 | BATTERY BL1830 SET | | 2 | * | | | |
| A06H | 194204-5 | BATTERY BL1830 SET | | 2 | * | | | |
| A06-1F | 194204-5 | BATTERY BL1830 SET | O | 2 | * | | | |
| A06-1H | 194204-5 | BATTERY BL1830 SET | O | 2 | * | | | |
| A06-1J | 196399-0 | BATTERY BL1840 SET | | 2 | * | | | |
| A06-2F | 197600-6 | BATTERY BL1830B SET | < | 2 | | | | |
| A06-2H | 197600-6 | BATTERY BL1830B SET | < | 2 | | | | |
| A06-2J | 197265-4 | BATTERY BL1840B SET | < | 2 | | | | |
| A07F | 450128-8 | BATTERY COVER | | 1 | | | | |
| A07H | 450128-8 | BATTERY COVER | | 1 | | | | |
| A07J | 450128-8 | BATTERY COVER | | 1 | | | | |
| A08F | ***DC18RC | DC18RC FAST CHARGER | | 1 | | | | |
| A08H | ***DC18RC | DC18RC FAST CHARGER | | 1 | | | | |
| A08J | ***DC18RC | DC18RC FAST CHARGER | | 1 | | | | |
| A09H | 804M97-7 | DST221RFJ INDICATION LABEL | | 1 | | | | |
| A09I | 804M99-3 | DST221ZJ INDICATION LABEL | | 1 | | | | |
| A09J | 804N13-5 | DST221RMJ INDICATION LABEL | | 1 | | | | |
| A10H | 804M98-5 | DST221RFJ PLASTIC CASE LABEL | | 2 | | | | |
| A10I | 804N00-4 | DST221ZJ PLASTIC CASE LABEL | | 2 | | | | |
| A10J | 804N14-3 | DST221RMJ PLASTIC CASE LABEL | | 2 | | | | |
| | | | | | | | | |
| | | | | | | | | |
| | | | | | | | | |
| | | | | | | | | |
| | | | | | | | | |
| | | | | | | | | |
| | | | | | | | | |
| | | | | | | | | |
| | | | | | | | | |
| | | | | | | | | |
| | | | | | | | | |
| | | | | | | | | |
| | | | | | | | | |
| | | | | | | | | |
| | | | | | | | | |
| | | | | | | | | |
| | | | | | | | | |
| | | | | | | | | |
| | | | | | | | | |
| | | | | | | | | |
| | | | | | | | | |
| | | | | | | | | |
| | | | | | | | | |