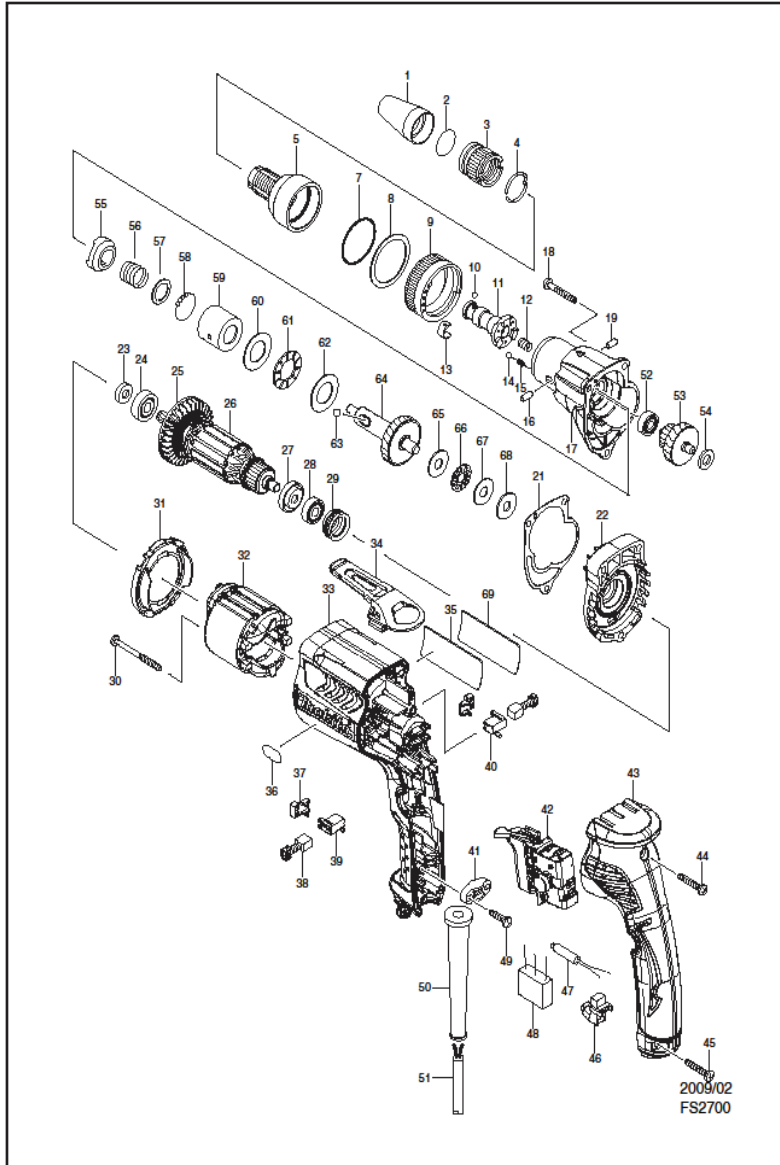


FS2700



REF.	CODE	DESCRIPTION	UNIT	LIST	REF.	CODE	DESCRIPTION	UNIT
1	322120-3	FRONT CAP 12	PC		66	216415-3	THRUST NEEDLE GAUGE 821	PC
2	213310-8	O RING 20	PC		67	216212-7	WASHER 821	PC
3	322073-6	ADJUST SLEEVE	PC		68	261111-8	URETHANE WASHER 8	PC
4	231940-3	RING SPRING 22	PC		69	819349-5	CLEAR LABEL	PC
5	168552-8	CLUTCH COVER A COMPL	PC			E01	655030-2	PLUG UK TYPE 16A-4H/110V
C10	313166-0	BRAKE RING	PC		E02	654091-9	NON-INSULATED TERMINAL	PC
7	213343-3	O RING 35	PC					
8	235806-7	FLAT WASHER 36	PC					
9	152841-1	RING 36 COMPLETE	PC					
10	216001-0	STEEL BALL 3.5	PC					
11	325606-6	SPINDLE 270D	PC					
12	234095-3	COMPRESSION SPRING 6	PC					
13	232050-9	LEAF SPRING	PC					
14	216008-6	STEEL BALL 4	PC					
15	233314-4	COMPRESSION SPRING 4	PC					
16	268075-7	PIN 4	PC					
17	318387-9	GEAR HOUSING TC	PC					
18	266361-0	TAPPING SCREW 4X30	PC					
19	268075-7	PIN 4	PC					
21	442149-4	GASKET	PC					
22	158982-1	GEAR HOUSING COVER COMPL	PC					
23	451099-2	RING 7	PC					
24	210007-0	BALL BEARING 608VV	PC					
25	240083-0	FAN 52	PC					
26	515760-6	ARMATURE ASSY 115V	PC					
27	681636-0	INSULATION WASHER	PC					
28	210062-2	BALL BEARING 607ZZ	PC					
29	421868-5	LABYRINTH RUBBER RING 19	PC					
30	266467-4	TAPPING SCREW 4X50	PC					
31	450880-8	BAFFLE PLATE	PC					
32	633690-0	FIELD 115V	PC					
33	450878-5	MOTOR HOUSING L	PC					
34	162272-6	HOOK	PC					
35	867048-3	FS2700 NAME PLATE	PC					
36	808574-3	INDICATION LABEL	PC					
37	689111-0	SPACER	PC					
38	191962-4	CARBON BRUSH CB-419	PC					
39	643952-8	BRUSH HOLDER	PC					
40	643953-6	BRUSH HOLDER	PC					
41	687124-5	STRAIN RELIEF	PC					
42	650614-1	SWITCH	PC					
43	158878-6	HANDLE COVER L COMPL	PC					
C10	263002-9	RUBBER PIN 4	PC					
44	266374-1	TAPPING SCREW 4X25	PC					
45	266374-1	TAPPING SCREW 4X25	PC					
46	631938-4	LIGHT CIRCUIT	PC					
47	646122-8	CHOKE COIL	PC					
48	645253-0	NOISE SUPPRESSOR	PC					
49	265995-6	TAPPING SCREW 4X18	PC					
50	682566-8	CORD GUARD 10	PC					
51	665940-5	POWER SUPPLY CORD 1.0-2-4.0	PC					
52	211012-0	BALL BEARING 606ZZ	PC					
53	226157-1	GEAR COMPLETE 17-39	PC					
54	267017-8	FLAT WASHER 8	PC					
55	223073-8	CLUTCH CAM	PC					
56	231423-3	COMPRESSION SPRING 13.6	PC					
57	253837-6	FLAT WASHER 14	PC					
58	216014-1	STEEL BALL 3.2	PC					
59	324209-3	SLEEVE	PC					
60	216216-9	WASHER 1730	PC					
61	216423-4	THRUST NEEDLE CAGE 1730	PC					
62	216216-9	WASHER 1730	PC					
63	216011-7	STEEL BALL 5.6	PC					
64	158892-2	SPUR GEAR 35 COMPL	PC					
65	216212-7	WASHER 821	PC					