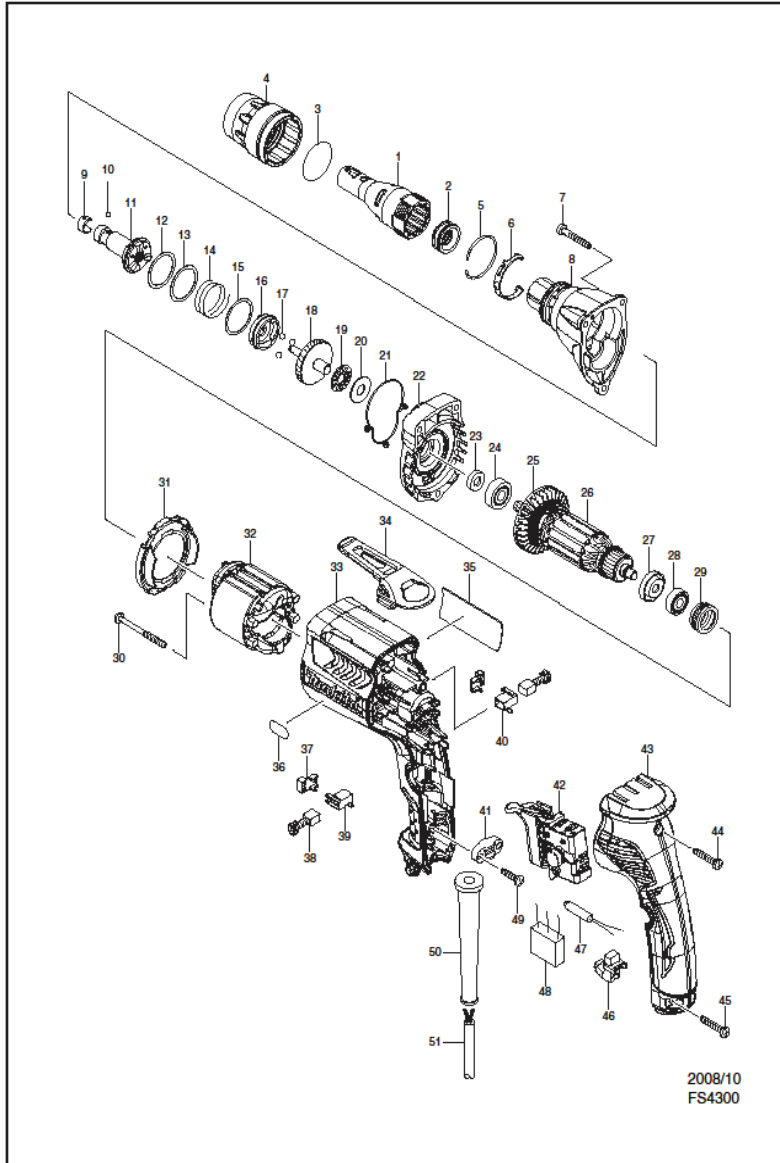


# FS4300



2008/10  
FS4300

REF.	CODE	DESCRIPTION	UNIT	LIST	REF.	CODE	DESCRIPTION	UNIT
1	158875-2	LOCATOR S COMPLETE		PC				
2	424163-2	DUST SEAL SLEEVE	PC					
3	424235-3	SEAL RING 30	PC					
4	450881-6	LOCK RING		PC				
5	233974-2	RING SPRING 33	PC					
6	232245-4	LEAF SPRING	PC					
7	266361-0	TAPPING SCREW 4X30		PC				
8	158882-5	GEAR HOUSING HSB COMPL		PC				
9	232050-9	LEAF SPRING	PC					
10	216001-0	STEEL BALL 3.5	PC					
11	158886-7	SPINDLE 125S COMPL		PC				
14	234121-8	COMPRESSION SPRING 8		PC				
15	267202-3	FLAT WASHER 8	PC					
16	223170-0	CLUTCH CAM 125S	PC					
17	216008-6	STEEL BALL	4	PC				
18	158884-1	GEAR 41S COMPLETE		PC				
19	216415-3	THRUST NEEDLE GAUGE 821		PC				
20	216212-7	WASHER 821	PC					
21	424162-4	SEAL RING		PC				
22	158874-4	GEAR HOUSING COVER COMPL		PC				
23	451099-2	RING 7	PC					
24	210007-0	BALL BEARING 608VV		PC				
25	240083-0	FAN 52	PC					
26	515755-9	ARMATURE ASSY 115V		PC				
D10		INC. 24252728						
27	681636-0	INSULATION WASHER		PC				
28	210062-2	BALL BEARING 607ZZ		PC				
29	421868-5	LABYRINTH RUBBER RING 19		PC				
30	266467-4	TAPPING SCREW 4X50		PC				
31	450880-8	BAFFLE PLATE	PC					
32	633690-0	FIELD 115V		PC				
32	633693-4	FIELD 220-240V	PC					
33	450878-5	MOTOR HOUSING L	PC					
34	162272-6	HOOK	PC					
35	866576-5	FS3400 NAME PLATE	PC					
36	808575-1	4000RPM INDICATION LABEL		PC				
37	689111-0	SPACER	PC					
38	191962-4	CARBON BRUSH CB-419		PC				
39	643948-9	BRUSH HOLDER	PC					
40	643951-0	BRUSH HOLDER	PC					
41	687124-5	STRAIN RELIEF	PC					
42	650614-1	SWITCH	PC					
43	158878-6	HANDLE COVER L COMPL		PC				
C10		RUBBER PIN 4	PC					
44	266374-1	TAPPING SCREW 4X25		PC				
45	266374-1	TAPPING SCREW 4X25		PC				
46	631938-4	LIGHT CIRCUIT	PC					
46	631939-2	LIGHT CIRCUIT	PC					
47	646122-8	CHOKE COIL	PC					
48	645253-0	NOISE SUPPRESSOR		PC				
49	265995-6	TAPPING SCREW 4X18		PC				
50	682566-8	CORD GUARD 10	PC					
51	665940-5	POWER SUPPLY CORD 1.0-2-4.0		PC				
51	692502-6	POWER SUPPLY CORD 1.0-2-4.0		PC				
52	819349-5	CLEAR LABEL	PC					
53	423413-2	RUBBER PLATE	PC					
A01	784261-7	+BIT 2-25	PC					
A02	784811-8	MAGNETIC CONNECT BIT 6.35-60		PC				
E01	655030-2	PLUG UK TYPE 16A-4H/110V		PC				
E02	654091-9	NON-INSULATED TERMINAL		PC				