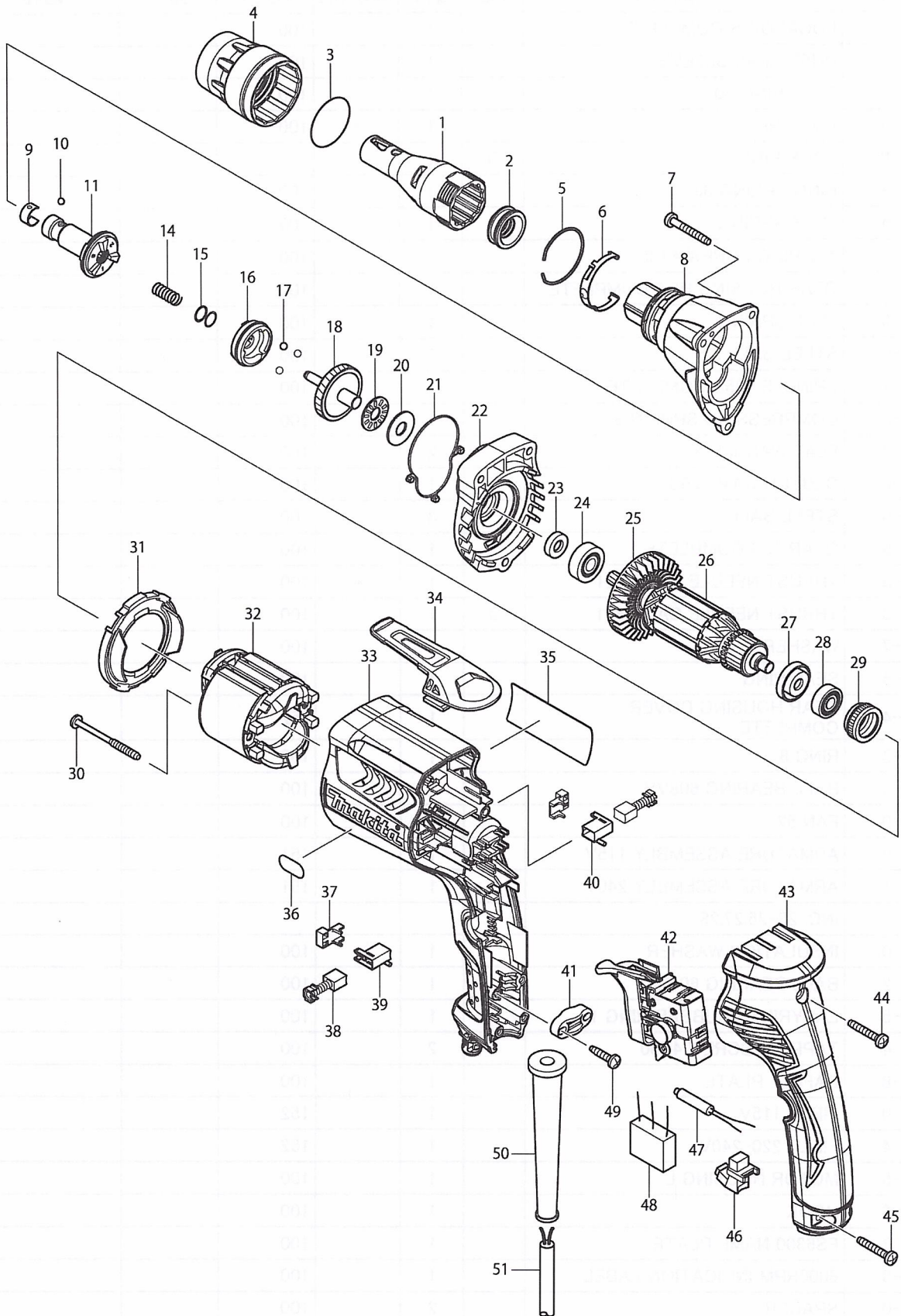


Model No.FS6300 DRYWALL SCREWDRIVER



Model No.FS6300 DRYWALL SCREWDRIVER

Item	Parts No.	Description	I/C	QTY	New/Old	Opt. 1	Opt. 2	NOTE
001	158875-2	LOCATOR S COMPLETE		1		100		
002	424163-2	DUST SEAL SLEEVE		1		100		
003	424235-3	SEAL RING 30		1		100		
004	450881-6	LOCK RING		1	*	100		
004-1	455591-0	LOCK RING	O	1				
005	233974-2	RING SPRING 33		1		100		
006	232245-4	LEAF SPRING		1		100		
007	266361-0	TAPPING SCREW 4X30		3		100		
008	158881-7	GEAR HOUSING HSA COMPLETE		1		100		
009	232050-9	LEAF SPRING		1		100		
010	216001-0	STEEL BALL 3.5		1		100		
011	158886-7	SPINDLE 125S COMPLETE		1		100		
014	234121-8	COMPRESSION SPRING 8		1		100		
015	267202-3	FLAT WASHER 8		2		100		
016	223170-0	CLUTCH CAM 125S		1		100		
017	216008-6	STEEL BALL 4		3		100		
018	158885-9	GEAR 38S COMPLETE		1		100		
019	216415-3	THRUST NEEDLE CAGE 821		1	*	100		
019-1	216415-3	THRUST NEEDLE CAGE 821	O	1		100		
020	216212-7	WASHER 821		1		100		
021	424162-4	SEAL RING		1		100		
022	158874-4	GEAR HOUSING COVER COMPLETE		1		152		
023	451100-3	RING 8		1		100		
024	210007-0	BALL BEARING 608VV		1		100		
025	240083-0	FAN 52		1		100		
026A	515750-9	ARMATURE ASSEMBLY 115V		1		151		
026B	515754-1	ARMATURE ASSEMBLY 240V		1		151		
D10		INC. 23-25,27,28						
027	681636-0	INSULATION WASHER		1		100		
028	210062-2	BALL BEARING 607ZZ		1		100		
029	421868-5	LABYRINTH RUBBER RING 19		1		100		
030	266467-4	TAPPING SCREW 4X50		2		100		
031	450880-8	BAFFLE PLATE		1		100		
032A	633690-0	FIELD 115V		1		152		
032B	633693-4	FIELD 220-240V		1		152		
033	450878-5	MOTOR HOUSING L		1		100		
034	162272-6	HOOK		1		100		
035	866558-7	FS6300 NAME PLATE		1		100		
036	808576-9	6000RPM INDICATION LABEL		1		100		
037	689111-0	SPACER		2		100		
038	191962-4	CARBON BRUSH CB-419		1		100		
039	643948-9	BRUSH HOLDER		1		100		
040	643951-0	BRUSH HOLDER		1		100		
041	687124-5	STRAIN RELIEF		1		100		
042	650614-1	SWITCH		1		100		

Please order the parts with part number.

Print Date 23/10/2019

Model No.FS6300 DRYWALL SCREWDRIVER

Item	Parts No.	Description	I/C	QTY	New/Old	Opt. 1	Opt. 2	NOTE
043	158878-6	HANDLE COVER L COMPLETE		1		100		
C10	263002-9	RUBBER PIN 4		2		100		
044	266374-1	TAPPING SCREW 4X25		1		100		
045	266374-1	TAPPING SCREW 4X25		2		100		
046A	631938-4	LIGHT CIRCUIT		1		100		
046B	631939-2	LIGHT CIRCUIT		1		100		
047	646122-8	CHOKE COIL		1		100		
048	645253-0	NOISE SUPPRESSOR		1		100		
049	265995-6	TAPPING SCREW 4X18		2		100		
050	682566-8	CORD GUARD 10		1		100		
051A	665940-5	POWER SUPPLY CORD 1.0-2-4.0		1		100		
051B	692502-6	POWER SUPPLY CORD 1.0-2-4.0		1		100		
052	819349-5	CLEAR LABEL		1	*	100		
052-1	892811-5	CLEAR LABEL		1		100		
053	423413-2	RUBBER PLATE		1		100		
A01	784261-7	+BIT 2-25		2				
A02	784811-8	MAGNETIC CONNECT BIT 6.35-60		1				
B01	197025-4	LOCATOR S SET		1				
D10		INC. 1-4						
E01A	655030-2	PLUG UK TYPE 16A-4H/110V		1				
E02A	654091-9	NON-INSULATED TERMINAL1.25-2AF		2		100		

Please order the parts with part number.

Print Date 23/10/2019