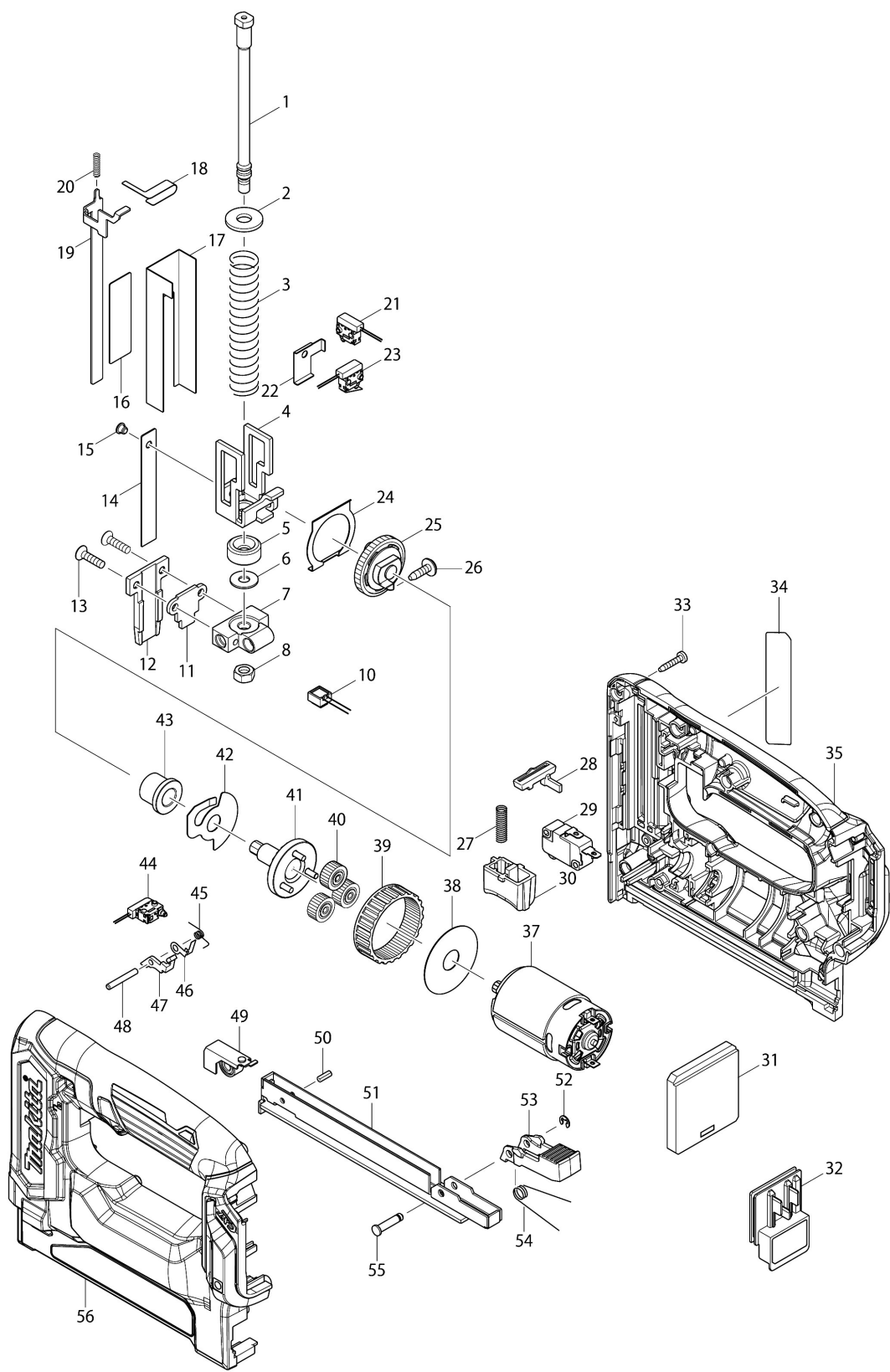


Model No.ST113D CORDLESS STAPLER



Model No.ST113D CORDLESS STAPLER

| Item | Parts No. | Description | I/C | QTY | New/Old | Opt. 1 | Opt. 2 | NOTE |
|-------|-----------|----------------------------------|-----|-----|---------|--------|--------|------|
| 001 | 326731-6 | GUIDE BOLT | | 1 | | | | |
| 002 | 253762-1 | FLAT WASHER 8 | | 1 | | | | |
| 003 | 232297-5 | COMPRESSION SPRING 13 | | 1 | | | | |
| 004 | 347023-0 | HAMMER | | 1 | | | | |
| 005 | 424099-5 | CUSHION | | 1 | | | | |
| 006 | 253804-1 | FLAT WASHER 6 | | 1 | | | | |
| 007 | 319425-0 | HOLDER | | 1 | * | | | |
| 007-1 | 319425-0 | HOLDER | O | 1 | | | | |
| 008 | 931302-2 | HEX. NUT M6 | | 1 | | | | |
| 010 | 620507-6 | LED CIRCUIT | | 1 | | | | |
| 011 | 347037-9 | SET PLATE | | 1 | | | | |
| 012 | 326738-2 | DRIVER GUIDE | | 1 | | | | |
| 013 | 251487-1 | H.SOCKET C.S.HEAD SCREW M4X16 | | 2 | | | | |
| 014 | 347034-5 | DRIVER | | 1 | | | | |
| 015 | 256318-9 | FLAT FILLISTER HD. PIN 4 | | 1 | | | | |
| 016 | 347038-7 | UPPER PLATE | | 1 | | | | |
| 017 | 347036-1 | GUIDE PLATE | | 1 | | | | |
| 018 | 232300-2 | LEAF SPRING | | 1 | | | | |
| 019 | 347042-6 | CONTACT ARM | | 1 | * | | | |
| 019-1 | 347316-5 | CONTACT ARM | < | 1 | | | | |
| 020 | 232337-9 | COMPRESSION SPRING 3 | | 1 | | | | |
| 021 | 632G60-2 | SWITCH UNIT | | 1 | | | | |
| 022 | 347121-0 | SLIDE PLATE | | 1 | | | | |
| 023 | 632G61-0 | SWITCH UNIT | | 1 | | | | |
| 024 | 347040-0 | GEAR PLATE | | 1 | | | | |
| 025 | 143770-9 | SPUR GEAR 43 COMPLETE | | 1 | | | | |
| 026 | 266901-4 | TAPPING SCREW 4X14 | | 1 | | | | |
| 027 | 232299-1 | COMPRESSION SPRING 5 | | 1 | | | | |
| 028 | 456799-9 | TRIGGER LOCK | | 1 | | | | |
| 029 | 632J09-0 | SWITCH UNIT | | 1 | * | | | |
| 029-1 | 632M82-8 | SWITCH UNIT | < | 1 | | | | |
| 030 | 457303-7 | TRIGGER | | 1 | | | | |
| 031 | 620598-7 | CONTROLLER | | 1 | | | | |
| 032 | 644813-5 | TERMINAL | | 1 | | | | |
| 033 | 266130-9 | TAPPING SCREW BIND PT 3X16 | | 10 | | | | |
| 034 | 852U41-6 | ST113D NAME PLATE | | 1 | * | | | |
| 034-1 | 852U40-8 | ST113D NAME PLATE | < | 1 | | | | |
| 035 | 183F23-0 | HOUSING SET | | 1 | | | | |
| C10 | 263002-9 | RUBBER PIN 4 | | 2 | | | | |
| C20 | 252126-6 | HEX. LOCKING NUT M4-7 | | 2 | | | | |
| D10 | | INC. 56 | | | | | | |
| 037 | 629240-7 | DC MOTOR | | 1 | | | | |
| 038 | 267053-4 | FLAT WASHER 12 | | 1 | | | | |
| 039 | 227166-3 | INTERNAL GEAR 69 | | 1 | | | | |

Please order the parts with part number.

Print Date 11/3/2019

Model No.ST113D CORDLESS STAPLER

| Item | Parts No. | Description | I/C | QTY | New/Old | Opt. 1 | Opt. 2 | NOTE |
|--------|-----------|-----------------------------------|-----|-----|---------|--------|--------|------|
| 040 | 221961-3 | SPUR GEAR 27 | | 3 | | | | |
| 041 | 143777-5 | SPUR GEAR 7 COMPLETE | | 1 | | | | |
| 042 | 345773-1 | ANTI BACK PLATE | | 1 | | | | |
| 043 | 214059-3 | PLANE BEARING 10 | | 1 | | | | |
| 044 | 632G60-2 | SWITCH UNIT | | 1 | | | | |
| 045 | 232298-3 | TORTION SPRING 3 | | 1 | | | | |
| 046 | 347041-8 | SLIP PLATE | | 1 | | | | |
| 047 | 456796-5 | SWITCH PLATE | | 1 | | | | |
| 048 | 256221-4 | PIN 3 | | 1 | | | | |
| 049 | 143780-6 | SPIRAL SPRING COMPLETE | | 1 | | | | |
| 050 | 951051-5 | SPRING PIN 3-8 | | 1 | | | | |
| 051 | 161467-8 | SUB MAGAZINE | | 1 | | | | |
| 052 | 961017-7 | STOP RING E-3 | | 1 | | | | |
| 053 | 456798-1 | LEVER | | 1 | | | | |
| 054 | 232301-0 | TORSION SPRING 7 | | 1 | | | | |
| 055 | 268029-4 | PIN 4 | | 1 | | | | |
| 056 | 183F23-0 | HOUSING SET | | 1 | | | | |
| C10 | 263002-9 | RUBBER PIN 4 | | 2 | | | | |
| C20 | 252126-6 | HEX. LOCKING NUT M4-7 | | 2 | | | | |
| D10 | | INC. 35 | | | | | | |
| A01 | 195246-2 | SAFETY GOGGLE | | 1 | * | | | |
| A02 | 266622-8 | + TRUSS HEAD SCREW M4X12 | | 1 | * | | | |
| A02-1 | 251314-2 | + SCREW M4X12 | O | 1 | | | | |
| A03 | 346909-5 | HOOK | | 1 | | | | |
| A04B | 821549-5 | CONNECTOR PLASTIC CASE (TYPE1) | | 1 | | | | |
| C10 | 453974-8 | LATCH | | 4 | | | | |
| A04D | 821549-5 | CONNECTOR PLASTIC CASE (TYPE1) | | 1 | | | | |
| C10 | 453974-8 | LATCH | | 4 | | | | |
| A05B | 839019-0 | INNER TRAY | | 1 | | | | |
| A05D | 839019-0 | INNER TRAY | | 1 | | | | |
| A06B | 810X08-8 | ST113DWAJ INDICATION LABEL | | 1 | * | | | |
| A06D | 810X11-9 | ST113DWMJ INDICATION LABEL | | 1 | * | | | |
| A06-1B | 810X07-0 | ST113DWAJ INDICATION LABEL | < | 1 | | | | |
| A06-1D | 810X10-1 | ST113DWMJ INDICATION LABEL | < | 1 | | | | |
| A07B | 810X09-6 | ST113DWAJ PLASTIC CASE LABEL | | 2 | | | | |
| A07D | 810X12-7 | ST113DWMJ PLASTIC CASE LABEL | | 2 | | | | |
| A08B | 456128-6 | BATTERY COVER | | 1 | | | | |
| A08D | 456128-6 | BATTERY COVER | | 1 | | | | |
| A09B | ***DC10WC | DC10WC BATTERY CHARGER | | 1 | * | | | |
| D10 | | COMPO-PARTS | | | * | | | |
| A09D | ***DC10WC | DC10WC BATTERY CHARGER | | 1 | * | | | |
| D10 | | COMPO-PARTS | | | * | | | |

Please order the parts with part number.

Print Date 11/3/2019

Model No.ST113D CORDLESS STAPLER

| Item | Parts No. | Description | I/C | QTY | New/Old | Opt. 1 | Opt. 2 | NOTE |
|--------|-----------|------------------------|-----|-----|---------|--------|--------|------|
| A09-1B | ***DC10WD | DC10WD BATTERY CHARGER | < | 1 | | | | |
| D10 | | COMPO-PARTS | | | | | | |
| A09-1D | ***DC10WD | DC10WD BATTERY CHARGER | < | 1 | | | | |
| D10 | | COMPO-PARTS | | | | | | |
| A10B | 197394-3 | BATTERY BL1020B SET | | 2 | * | | | |
| A10D | 197402-0 | BATTERY BL1040B SET | | 2 | * | | | |
| A10-1B | 197396-9 | BATTERY BL1021B SET | < | 2 | | | | |
| A10-1D | 197406-2 | BATTERY BL1041B SET | < | 2 | | | | |

Please order the parts with part number.

Print Date 11/3/2019