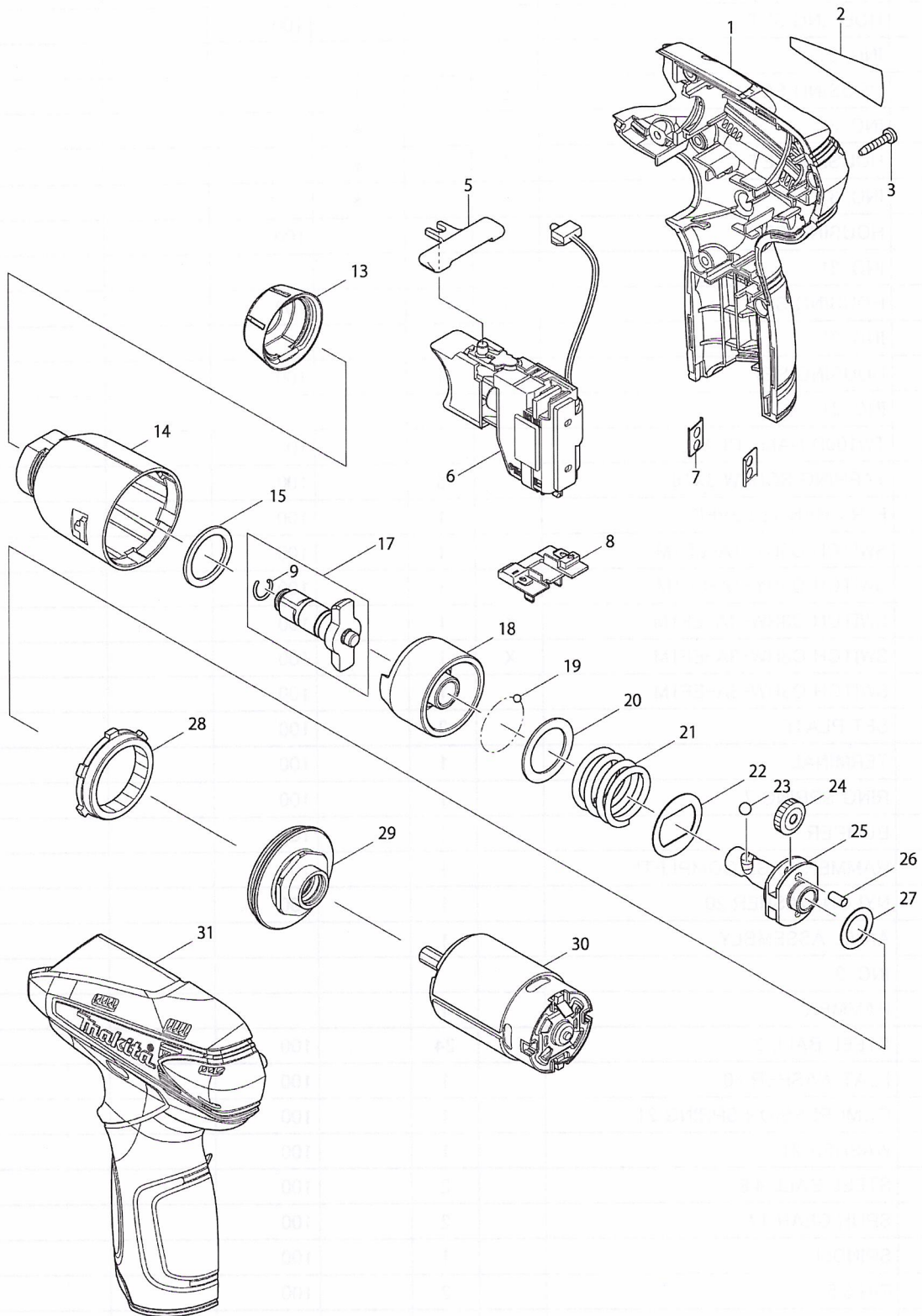


# Model No.TW100D CORDLESS IMPACT WRENCH



Model No.TW100D CORDLESS IMPACT WRENCH

Item	Parts No.	Description	I/C	QTY	New/Old	Opt. 1	Opt. 2	NOTE
001B	188497-4	HOUSING SET		1	*	100		
D10		INC. 31			*			
001C	188497-4	HOUSING SET		1	*	100		
D10		INC. 31			*			
001-1B	187170-3	HOUSING SET	S	1	*			
D10		INC. 31			*			
001-1C	187170-3	HOUSING SET	S	1	*			
D10		INC. 31			*			
001-2B	187347-0	HOUSING SET	>	1		100		
D10		INC. 31						
001-2C	187347-0	HOUSING SET	>	1		100		
D10		INC. 31						
001-2D	187347-0	HOUSING SET		1		100		
D10		INC. 31						
002	869482-3	TW100D NAME PLATE		1		100		
003	266429-2	TAPPING SCREW 3X16		6		100		
005	450504-6	F/R CHANGE LEVER		1		100		
006B	650656-5	SWITCH C3HY-1A-EF1M		1	*	100		
006C	650656-5	SWITCH C3HY-1A-EF1M		1	*	100		
006-1B	650691-3	SWITCH C3HW-3A-EF1M	X	1		100		
006-1C	650691-3	SWITCH C3HW-3A-EF1M	X	1		100		
006-1D	650691-3	SWITCH C3HW-3A-EF1M		1		100		
007	345998-7	SET PLATE		2		100		
008	643830-2	TERMINAL		1		100		
009	231964-9	RING SPRING 7		1		100		
013	424428-2	BUMPER		1		100		
014	140929-9	HAMMER CASE COMPLETE		1		100		
015	261140-1	NYLON WASHER 20		1		100		
017	135473-9	ANVIL ASSEMBLY		1				
D10		INC. 9						
018	324894-2	HAMMER		1				
019	216019-1	STEEL BALL 3		24		100		
020	267380-9	FLAT WASHER 20		1		100		
021	234217-5	COMPRESSION SPRING 21		1		100		
022	267813-4	WASHER 21		1		100		
023	216002-8	STEEL BALL 4.8		2		100		
024	227213-0	SPUR GEAR 17		2		100		
025	324897-6	SPINDLE		1		100		
026	268217-3	PIN 3.5		2		100		
027	253052-2	FLAT WASHER 12		1		100		
028	227215-6	INTERNAL GEAR 43		1		100		
029	158671-8	BEARING BOX COMPLETE		1		100		
C10	210112-3	BALL BEARING 6801LLB		1		100		
C20	213188-9	O-RING 13		1		100		
030	629904-3	DC MOTOR		1		100		



Model No.TW100D CORDLESS IMPACT WRENCH

Item	Parts No.	Description	I/C	QTY	New/Old	Opt. 1	Opt. 2	NOTE
031B	188497-4	HOUSING SET		1	*	100		
D10		INC. 1			*			
031C	188497-4	HOUSING SET		1	*	100		
D10		INC. 1			*			
031-1B	187170-3	HOUSING SET	S	1	*			
D10		INC. 1			*			
031-1C	187170-3	HOUSING SET	S	1	*			
D10		INC. 1			*			
031-2B	187347-0	HOUSING SET	>	1		100		
D10		INC. 1						
031-2C	187347-0	HOUSING SET	>	1		100		
D10		INC. 1						
031-2D	187347-0	HOUSING SET		1		100		
D10		INC. 1						
032B	268284-8	PIN 1.5	S	1		100		
032C	268284-8	PIN 1.5	S	1		100		
032D	268284-8	PIN 1.5		1		100		
033B	263038-8	RUBBER PIN 6	S	1		100		
033C	263038-8	RUBBER PIN 6	S	1		100		
033D	263038-8	RUBBER PIN 6		1		100		
034	533020-4	LEAD ASS'Y		1		100		
035	533019-9	LEAD ASS'Y		1		100		
A01B	***DC10WA	DC10WA BATTERY CHARGER		1				
A01D	***DC10WA	DC10WA BATTERY CHARGER		1				
A02B	194550-6	BATTERY BL1013 SET		2	*			
A02D	194550-6	BATTERY BL1013 SET		2	*			
A02-1B	196066-7	BATTERY BL1013 SET	O	2				
A02-1D	196066-7	BATTERY BL1013 SET	O	2				
A03B	141104-0	PLASTIC CARRYING CASE COMPLETE		1				
C10	324679-6	SHAFT		1				
C20	417724-5	LATCH		2				
A03D	824781-0	PLASTIC CASE		1				
A04D	821549-5	CONNECTOR PLASTIC CASE (TYPE1)		1	*			
C10	453974-8	LATCH		4	*	100		
A04-1D	821549-5	CONNECTOR PLASTIC CASE (TYPE1)	<	1				
C10	453974-8	LATCH		4		100		
A05D	837663-7	INNER TRAY		1	*			
A05-1D	837866-3	INNER TRAY	<	1				
A06D	800Y82-0	TW100DWJ INDICATION LABEL		1				
A07D	800Y83-8	TW100DWJ PLASTIC CASE LABEL		2				
E01B	638929-6	LINE FILTER UNIT		1		100		
E01C	638929-6	LINE FILTER UNIT		1		100		
E01D	638929-6	LINE FILTER UNIT		1		100		

Please order the parts with part number.

Print Date 23/10/2019