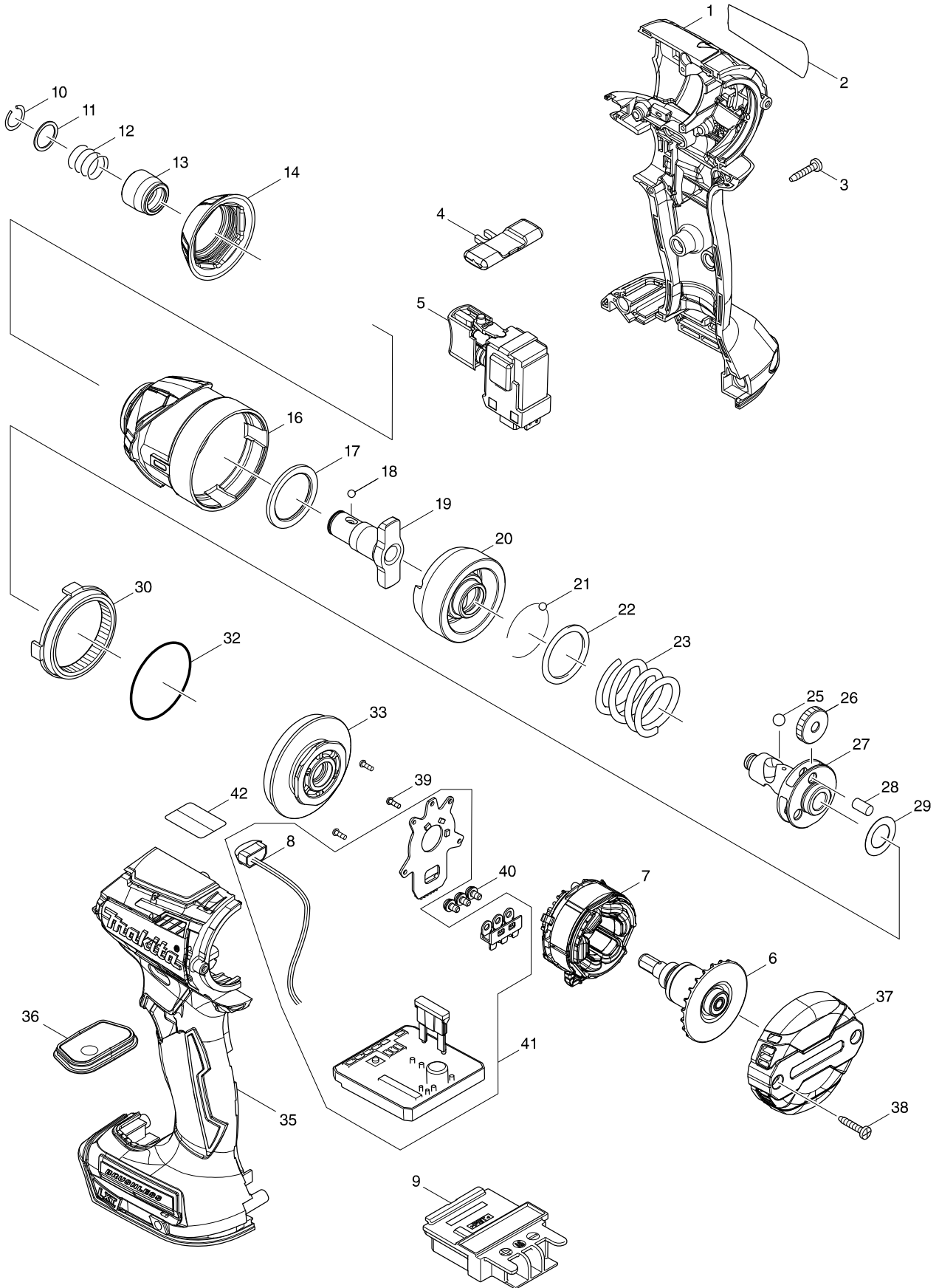


Model No. DTD154 CORDLESS IMPACT DRIVER



Model No. DTD154 CORDLESS IMPACT DRIVER

Item	Parts No.	Description	I/C	QTY	N/O	Opt. 1	Opt. 2	NOTE
001	183E36-5	HOUSING SET		1				
C10	263005-3	RUBBER PIN 6		2		100		
C20	252126-6	HEX. LOCKING NUT M4-7		2		100		
D10		INC. 35						
002	852L16-1	DTD154 NAME PLATE		1				
003	266429-2	TAPPING SCREW 3X16		8		100		
004	455053-8	F/R CHANGE LEVER		1				
005	143975-1	SWITCH COMPLETE		1				
006	619408-3	ROTOR		1				
007	629217-2	STATOR		1				
008	620557-1	LED CIRCUIT		1				
009	643860-3	TERMINAL		1		100		
010	231951-8	RING SPRING 11		1		100		
011	267085-1	FLAT WASHER 12		1		100		
012	233005-7	COMPRESSION SPRING 13		1		100		
013	326072-0	BIT SLEEVE		1		100		
014	424873-1	BUMPER		1				
016	143951-5	HAMMER CASE COMPLETE		1				
017	261155-8	NYLON WASHER 24		1				
018	216001-0	STEEL BALL 3.5		2		100		
019	326508-9	ANVIL M		1				
020	326711-2	HAMMER		1				
021	216001-0	STEEL BALL 3.5		24		100		
022	267175-0	FLAT WASHER 24		1		100		
023	234331-7	COMPRESSION SPRING 24		1				
025	216041-8	STEEL BALL 5.6		2				
026	227338-0	SPUR GEAR 22		3				
027	326783-7	SPINDLE		1				
028	268311-1	PIN 5		3				
029	253314-8	THIN WASHER 15		1		100		
030	221457-4	INTERNAL GEAR 51		1				
032	213507-9	O RING 40		1		100		
033	143976-9	BEARING BOX COMPLETE		1				
035	183E36-5	HOUSING SET		1				
C10	263005-3	RUBBER PIN 6		2		100		
C20	252126-6	HEX. LOCKING NUT M4-7		2		100		
D10		INC. 1						
036	143954-9	SWITCH PLATE COMPLETE		1				
037	457069-9	REAR COVER		1				
038	266429-2	TAPPING SCREW 3X16		2		100		
039	266490-9	TAPPING SCREW PT 2X6		3				
040	652069-6	FLAT HEAD SCREW M3X6		3				
041	620564-4	CONTROLLER		1				
D10		INC. 8						
A01	266622-8	+ TRUSS HEAD SCREW M4X12		1		100		
A02	346317-0	HOOK		1				
A03B	450128-8	BATTERY COVER		1				
A03D	450128-8	BATTERY COVER		1				

