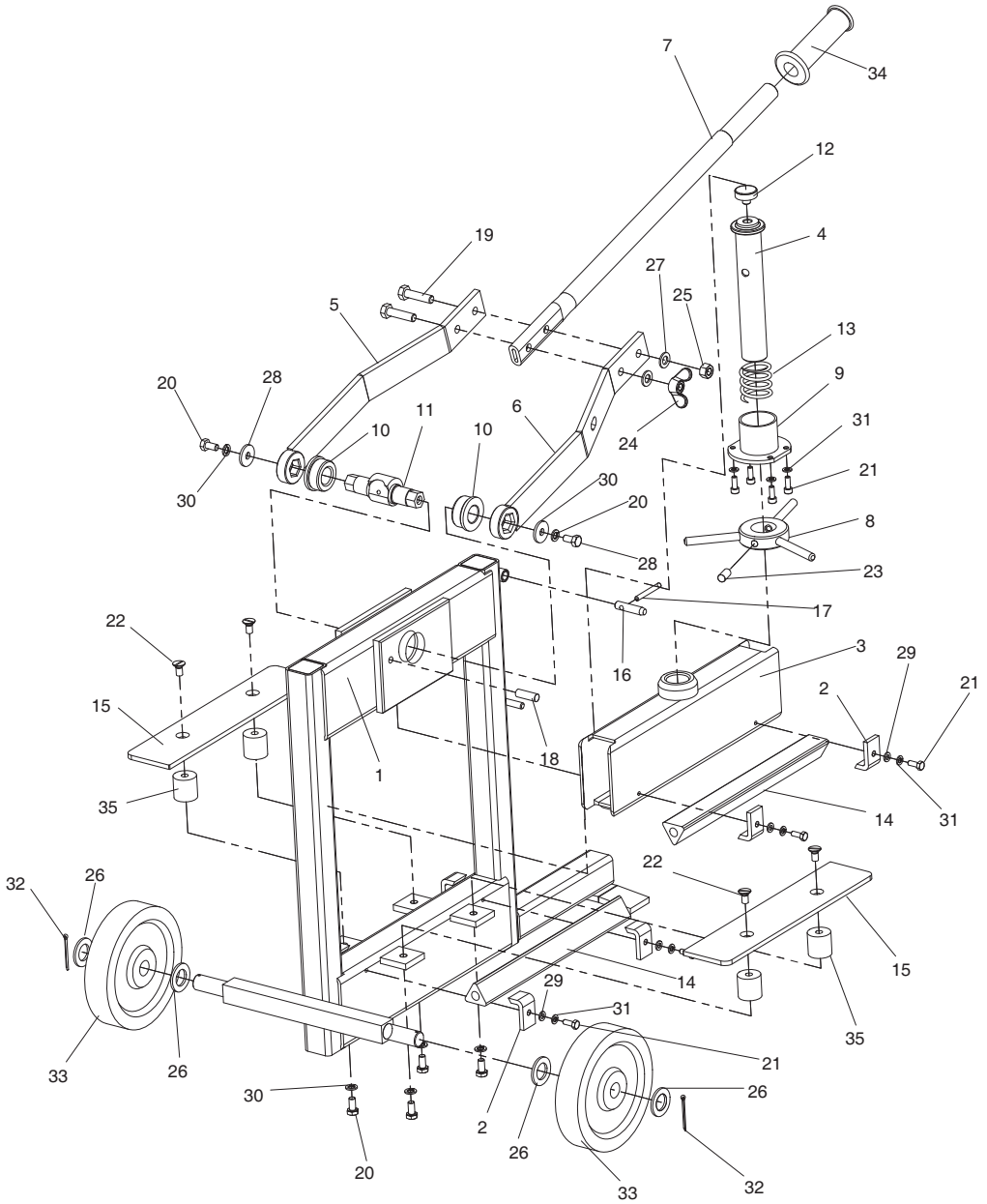


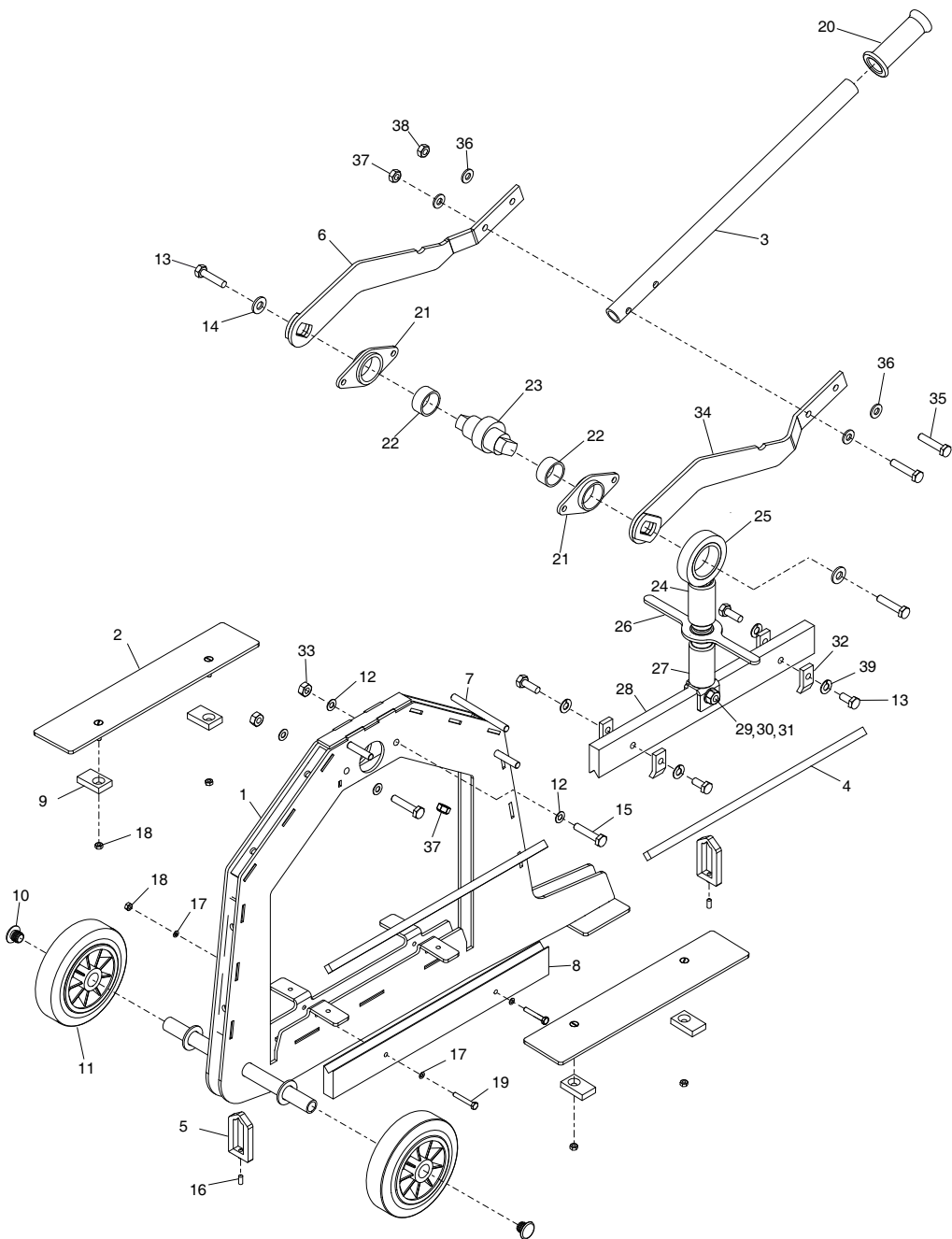
# Maxipave (Up To 13.02.09)



# Maxipave (Up To 13.02.09)

Item Number	Part Number	Description	Qty
1	180/99501	.....Frame .....	1
2	180/99502	.....Blade Gusset .....	4
3	180/99503	.....Moving Beam .....	1
4	180/99504	.....Bolt Complete .....	1
5	180/99505	.....Right Arm Bent .....	1
6	180/99506	.....Left Arm Bent .....	1
7	180/99507	.....Upper Arm .....	1
8	180/99508	.....Swivel .....	1
9	180/99509	.....Spring Bush .....	1
10	180/99510	.....Cam Bush .....	2
11	180/99511	.....Cam .....	1
12	180/99512	.....Top Cap .....	1
13	180/99513	.....Spring .....	1
14	180/99514	.....Blade .....	2
15	180/99515	.....Table .....	2
16	180/99516	.....Lock Pin .....	1
17	180/99517	.....Pin Lock .....	1
18	180/99518	.....Stop .....	1
19	180/99519	.....Special Bolt .....	2
20	180/99520	.....M8x16 5.8 Zinc Plated Bolt .....	6
21	180/99521	.....M6x16 8.8 Zinc Plated Bolt .....	8
22	180/99522	.....M8x10 Conical Bolt .....	4
23	180/99523	.....M6x12 Conical End Bolt .....	1
24	180/99524	.....M10 Zinc Plated Wing-nut .....	1
25	180/99525	.....M10 Zinc Plated Self Securing Nut .....	1
26	180/99526	.....21 Zinc Plated Washer .....	4
27	180/99527	.....10,5 Zinc Plated Washer .....	2
28	180/99528	.....9x28x3 Zinc Plated Washer .....	2
29	180/99529	.....8,4 Zinc Plated Washer .....	4
30	180/99530	.....8,2 Zinc Plated Spring Washer .....	6
31	180/99531	.....6,1 Zinc Plated Spring Washer .....	8
32	180/99532	.....3,2x40 Zinc Plated Cotter Pin .....	2
33	959/99503	.....Wheel .....	2
34	180/99534	.....Red Coloured Rubber Handle .....	1
35	180/99535	.....Vibration Insulator 30x30 type B .....	4

# Maxipave (From 14.02.2009)



# Maxipave (From 14.02.2009)

Item Number	Part Number	Description	Qty
1	976/00100	.....Frame (Orange).....	1
1	976/00100R	.....Frame (Red).....	1
2	976/00200	.....Table (Orange).....	2
2	976/00200R	.....Table (Red).....	2
3	976/99906	.....Lever Tube (Orange).....	1
3	976/99906R	.....Lever Tube (Red).....	1
4	976/99904	.....Blade.....	2
5	976/99905	.....Yoke (Orange).....	2
5	976/99905R	.....Yoke (Red).....	2
6	976/00700	.....Lever Arm RH Complete (Orange).....	1
6	976/00700R	.....Lever Arm RH Complete (Red).....	1
7	976/00800	.....Catch (Orange).....	1
7	976/00800R	.....Catch (Red).....	1
8	976/99907	.....Bottom Blade Mounting (Orange).....	1
8	976/99907R	.....Bottom Blade Mounting (Red).....	1
9	976/99908	.....Rubber Absorber.....	4
10	959/99512	.....Plug.....	2
11	959/99503	.....Wheel.....	2
12	4/8001	.....Washer M8.....	4
13	7/8011	.....Bolt M8 x 20.....	6
14	944/99062	.....Washer 8,4 Enlarged.....	2
15	00.0.024	.....Bolt M8 x 55 Zinc Coated.....	2
16	7/6033	.....Set Screw M6 x 16.....	2
17	05.0.002	.....Spring Washer M6.....	4
18	01.0.103	.....Nut M6.....	6
19	9/6025	.....Bolt M6 x 45 Zinc Coated.....	2
20	976/99910	.....Rubber Holder, Rubber Handle.....	1
21	976/00300	.....Bearing (Orange).....	2
21	976/00300R	.....Bearing (Red).....	2
22	155.0.028	.....Oil Retaining Bush.....	2
23	976/99901	.....Circular Cam.....	1
24	976/00400	.....Nut M30 c/w Bearing Housing (Orange).....	1
24	976/00400R	.....Nut M30 c/w Bearing Housing (Red).....	1
25	976/00403	.....Oil Retaining Bush.....	1
26	976/99902	.....Roman Screw (Orange).....	1
26	976/99902R	.....Roman Screw (Red).....	1
27	976/00500	.....Nut c/w Clamp (Orange).....	1
27	976/00500R	.....Nut c/w Clamp (Red).....	1
28	976/99903	.....Top Blade Mounting (Orange).....	1
28	976/99903R	.....Top Blade Mounting (Red).....	1
29	4/1204	.....Washer M12 Form A Zinc Coated.....	2
30	9/12007	.....Bolt M12 x 80 Zinc Coated.....	1
31	8/12006	.....Nut M12.....	1
32	976/99909	.....Blade Clamp (Orange).....	4
32	976/99909R	.....Blade Clamp (Red).....	4
33	8/8008	.....Nut M8.....	2
34	976/00600	.....Lever Arm LH Complete (Orange).....	1
34	976/00600R	.....Lever Arm LH Complete (Red).....	1
35	9/10008	.....Bolt M10 x 60.....	2
36	4/1005	.....Washer M10.....	4
37	8/100062	.....Nut M10.....	2
38	01.0.500	.....Wing Nut M10.....	1
39	4/8003	.....Washer M8.....	4