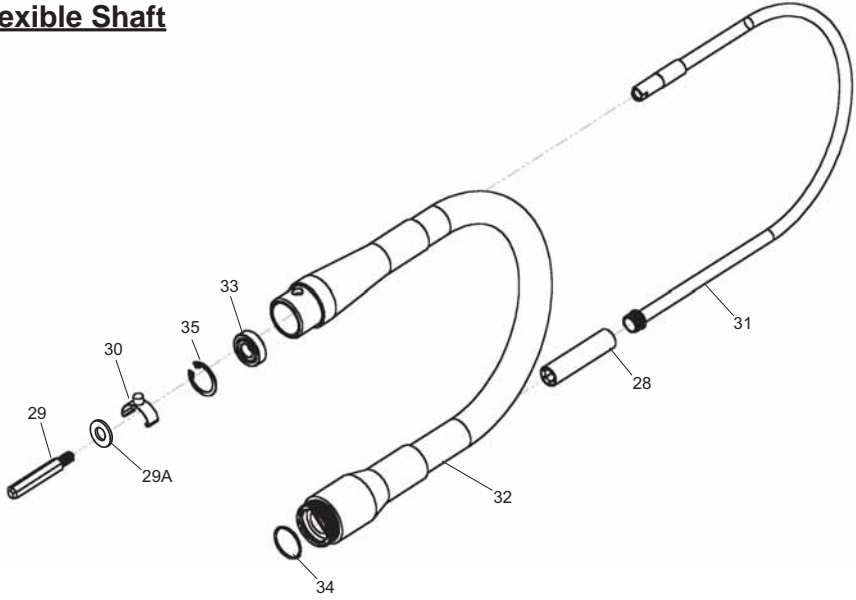
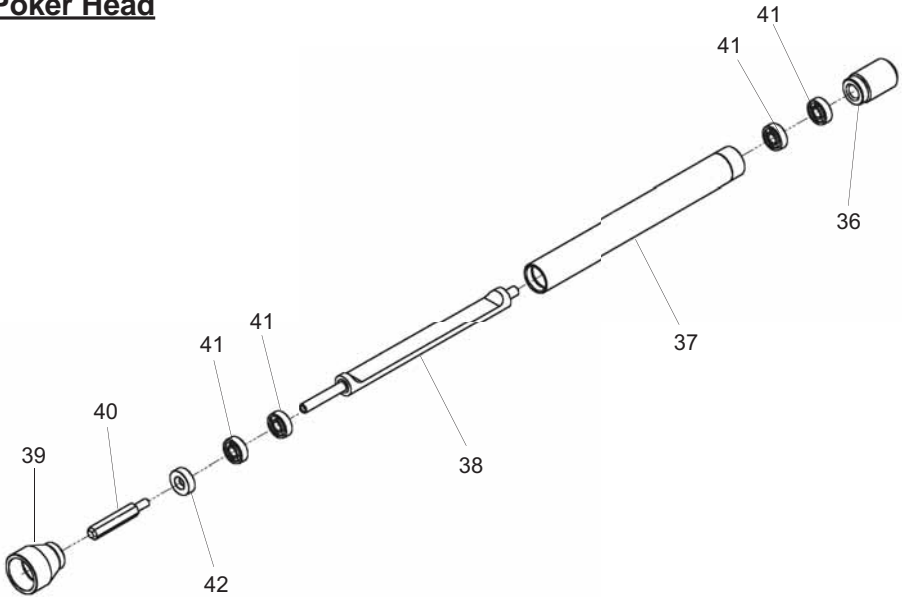


**Flexible Shaft**



**Poker Head**



# Megavib+

Item	Part Number	Description	Qty
1	244/99500	STATOR COMPLETE (115V 60Hz) (UK)	1
1	244/99501	STATOR COMPLETE (230V 50Hz) (CE)	1
2	244/99502	ROTOR COMPLETE (115V 60Hz) (UK )	1
2	244/99503	ROTOR COMPLETE (230V 50Hz) (CE)	1
3	244/99504	RIGHT HALF HOUSING - ORANGE	1
3	244/99573	RIGHT HALF HOUSING - RED	1
4	244/99505	LEFT HALF HOUSING - ORANGE	1
4	244/99574	LEFT HALF HOUSING - RED	1
5	244/99506	FRONT BRIDGE	1
6	244/99507	REAR BRIDGE	1
7	244/99508	FILTER COVER	1
8	244/99509	VENTILATION FILTER	1
9	244/99510	MOTOR DRAG	1
10	244/99511	HOSE FIXATION SPINDLE	1
11	244/99512	VENTILATION GRILLE	1
12	244/99513	CABLE FIXATION BRIDLE	1
13	244/99514	SMUGGLER CABLE Æ 11	1
14	244/99515	SILICONE SWITCH JOINT	1
15	244/99516	WIRE & PLUG 2Ph+T x 1.5 1 MTR LONG (UK, 230v)	1
15A	244/99517	WIRE & PLUG 2Ph+T x 1.5 1 MTR.LONG (CE, 230v)	1
15B	244/99575	CONNECTION WIRE 2 x 1.5 H07 (UK, 110v)	1
15C	244/99576	PLUG CETAC 2Ph+E 16Amp (UK, 110v)	1
16	244/99518	BRUSHES	2
17	244/99519	BRUSH HOLDER	2
18	244/99520	SWITCH	1
19	244/99521	POLYESTER CONDENSER 470NF/275V 10% R=22,5x2	1
20	244/99522	BRUSH HOLDER PLUG	2
21	244/99523	PLUG COVER BRUSH	2
22	244/99524	BLIND PLUG LEFT COVER	1
23	244/99525	BEARING 6200-ZZ 10.30.9	1
24	244/99526	BEARING 6203-ZZ 17.40.12	1
25	244/99527	COMPENSATION WAVY WASHER Æ 40X33	1
26	244/99528	SPECIAL LONG SCREW WITHOUT HEAD M4X100mm	2
27	244/99529	SCREW KIT	1
28	244/99530	HEXAGON FEMALE (HOSE SIDE)	1
29	244/99531	HEXAGON MALE (MOTOR SIDE)	1
29A	4/8006	M8 WASHER	1
30	244/99532	KIT FIXATION HOSE SPRING	1
31	244/99533	COMPLETE TRANSMISSION SPRING (1 MTR)	1
31	244/99535	COMPLETE TRANSMISSION SPRING (3 MTR)	1
31	244/99536	COMPLETE TRANSMISSION SPRING (4 MTR)	1
32	244/99539	COMPLETE HOSE WITH ENDS (1 MTR)	1
32	244/99540	COMPLETE HOSE WITH ENDS (2 MTR)	1
32	244/99541	COMPLETE HOSE WITH ENDS (3 MTR)	1
32	244/99542	COMPLETE HOSE WITH ENDS (4 MTR)	1
33	244/99545	6.001 2RS (12x28x8)	1
34	244/99546	TORIC JOINT NBR 70° 25.5x1,5	1
35	244/99547	SEGER RING INTERNAL DIAM. 28	1

Item	26	35	48	57	Description	Qty
36	244/99548	244/99549	244/99550	244/99551	CYLINDER TAP NUT	1
37	244/99552	244/99553	244/99554	244/99555	HOUSING CYLINDER	1
38	244/99556	244/99557	244/99558	244/99559	ECCENTRIC	1
39	244/99560	N/A	244/99561	244/99562	REDUCTOR LINK NUT	1
40	244/99563	244/99564	244/99564	244/99564	HEXAGON MALE	1
41	244/99565	244/99566	244/99567	244/99568	BEARING	4
42	244/99569	244/99570	244/99571	244/99572	SEAL CLAMP	1





BELLE  
LIGHT  
CONSTRUCTION  
EQUIPMENT

ALTRAD BELLE  
Sheen, Nr. Buxton, Derbyshire, SK17 0EU, GB  
Tel. +44 (0)1298 84606 - Fax +44 (0)1298 84722 - Email: [sales@altrad-belle.com](mailto:sales@altrad-belle.com)  
**[www.Altrad-Belle.com](http://www.Altrad-Belle.com)**