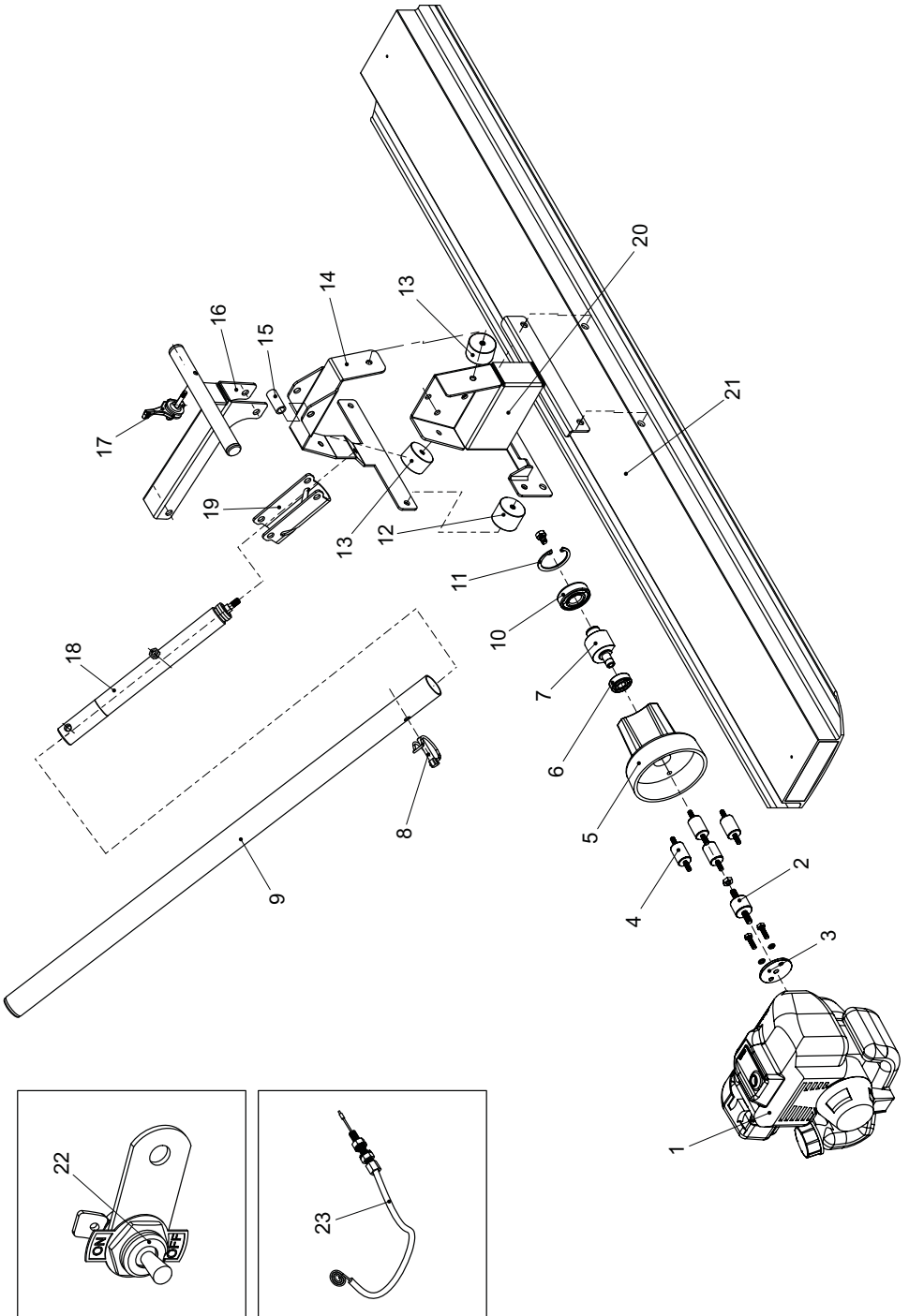


MidiScreed 200



MidiScreed 200

ITEM NUMBER ⁽¹⁾	PART NUMBER ⁽²⁾	DESCRIPTION ⁽³⁾	QTY ⁽⁴⁾
1	157.0.600	Honda GX25 Petrol Engine	1
2	157.0.601	Anti-Vibration Mount Ø25,5x22 (M8x20mm)	1
3	157.0.602	Transmission Plate Motor-Eccentric Shaft	1
4	157.0.603	Anti-Vibration Mount Ø20x30 (M6x16,5mm)	4
5	157.0.604	Eccentric Housing	1
6	157.0.605	Ball Bearing 6.201 2RS (12x32x10)	1
7	157.0.606	Eccentric	1
8	157.0.607	Handle Bar Fixation Clamp M8x40	1
9	157.0.608	Handle Bar With Rubber Cap (2 Metres)	1
10	157.0.609	Ball Bearing 6.204 2RS (20x47x14)	1
11	157.0.610	Seeger Ring Din 472 I47	1
12	157.0.611	Anti-Vibration Mount Ø40x30 M8	1
13	157.0.612	Anti-Vibration Mount Ø40x25 M8	2
14	157.0.613	Anti-Vibration Mount Bracket	1
15	157.0.614	Spacer 10,3x15x35	1
16	157.0.615	Transport Handle	1
17	157.0.616	Speed Lever	1
18	157.0.617	Ball-Joint Shaft	1
19	157.0.618	Joint Support U	1
20	157.0.619	Petrol Engine Steel Frame	1
21	157.0.620	Aluminium Profile (2 Metres)	1
22	157.0.621	Stop Button + Bracket	1
23	157.0.622	Throttle Cable Set L=310mm	1

(1) **Item Number** / numéro sur le schéma / número de la ilustración / número da ilustração / afbeeldingsnummer / tegningsnummeret / Teil-Nummer / numero dell'illustrazione

(2) **Part Number** / Numéro de référence de la pièce / número de pieza / número da parte / stuknummer / Styknummer / Nummer auf der Abbildung / numero di parte

(3) **Description** / Désignation / Descripción / Descrição / Omschrijving / Beskrivelse / Bezeichnung / Descrizione

(4) **Quantity** / Quantité / Cantidad / Quantidade / Hoeveelheid / Mængde / Quantität / Quantità