

## ACCESSORIES

### Car Adapter

Enables you to re-charge your battery with your vehicle's electrical system.



Part No. 900507

### Battery Cell



Part No. 404717

### Paslode Cordless Lubricating Oil



Part No. 401482

### 5/32" Hex Key

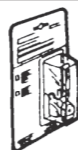
For clearing jams and servicing.



Part No. 401331

### No-Mar Work Contacting Element

Rubber tipped WCE to eliminate marring work surface. (Replacement rubber tip, Part No. 210610)



Part No. 012082

### Paslode Cordless Nailer Case

Part No. 404710

### Clear Safety Glasses



Part No. 014121

### Cordless Tool Cleaner

Ideal cleaner for all Paslode® tools.



Part No. 115251

### Battery Charger Kit

(Replacement Charger Base Only Part No. 035460)

(Replacement Transformer Only Part No. 900506)



Part No. 900200

# Paslode®

## Impulse®

Part No. 014801 (UK)



# IM350+

### IMPORTANT! DO NOT DESTROY

Always refer to operating and safety instructions (#014845 & #014744) for detailed information on this tool. It is the customer's responsibility to have all operators and service personnel read and understand this information.

## TOOL SCHEMATIC AND PARTS



An Illinois Tool Works Company  
Route de Lyon - BP 104  
F - 26501 Bourg Les Valence - Cedex France

014846-3  
07/11

# PARTS LEGEND

IM350+ Part No. 014801 (UK)

2	900315	1	Filter	53	902239	1	Spring
3	900469	1	Fan Motor Assembly (Includes PC board, washer, flat retaining ring, motor mount, and retaining ring (curved))	54	900934	2	Steel Ring, Sleeve
				55	901204	1	Sleeve Assembly, includes rings
				56	404464	2	Rubber Stop
4	900300	1	Retaining Ring (flat)	57	404424	1	Reed Valve
6	900470	1	Motor Mount	58	404422	1	Muffler
7	401355	1	Retaining Ring (curved)	59	404423	1	Muffler Cover
8	901063	4	Shoulder Screw 10-24 x 1-1/2	60	902227	1	Utility Hook Button
9	401340	1	Stem Adapter	61	900596	6	Screw Thread Forming Sems 8-32 x 7/16
10	401356	1	Motor Sleeve	62	403816	2	Socket Head Capscrew 10-24 x 1-1/8
11	900286	1	Spark Plug Assembly, includes O-Ring	63	404445	2	Bushing, Shear Block
13	404453	1	Bracket, Cylinder Head	64	902223	1	Wear Plate, Nose
15	014882	1	Fuel Door Assembly	65	901249	1	Upper Probe
18	014880	1	Cylinder Head	66	902225	1	Lower Probe
19	900935	2	Seal Ring	67	900592	2	S.H.C.S. Sems 10-32 x 1/2
20	403167	1	Fan Blade Assembly	68	401380	1	Tie Bar
21	900474	1	Spark Unit Assembly	70	902203	1	Housing Assembly
22	013676	1	Molded Circuit Assembly	71	902237	1	Utility Hook
23	900478	1	Spark Plug Assembly Wire	→ 72	014885	2	Label
24	900231	1	Clip, Wire Spark Plug	73	902240	1	Retainer Ring, Sleeve
■ 25	403987	2	Screw Thread Forming 6-32 x 1/4	▲ 74	900593	3	S.H.C.S. Sems 10-24 x 5/8
26	902226	1	Handle Assembly Kit - Right & Left	75	403985	1	Follower
27	404448	1	Roller Lever Assembly	76	901415	1	Follower Bushing Spring Assembly
29	404702	2	Screw Thread Forming 6 x 3/8	77	901202	1	Retaining Ring
30	404436	1	Nail Channel	78	403986	1	Spring Pin
31	404441	1	Cover Plate Magazine	79	902204	1	Follower Guide
32	901222	2	Shoulder Screw 10-32 x 1/2	80	902205	1	Follower Button
→ 33	014884	1	Cap Assembly	81	404457	1	Spring
34	404412	1	Wear Plate, Chamber Lock	82	404922	2	Pad, Battery Contact
35	900453	4	Screw Plastite 8-16 x 7/8	83	401450	3	Foam Pad
37	014881	1	Magazine Channel	85	901240	1	Probe Release
■ 38	900594	4	S.H.C.S. Sems 8 - 32 x 1/2	86	404426	1	Exhaust Baffle
39	901241	1	Stop, Cage	87	404425	1	Reed Plate
40	404451	1	Lockout Bar, Follower	■ 88	900969	4	Torx Screw 8-32 x 5/8
→ 41	902250	1	Shear Block	89	900481	1	O-Ring
42	901238	1	Spring, Flat	91	902222	1	Combustion Chamber Ring
44	404435	1	Trigger	92	404407	1	Combustion Chamber
45	900269	1	Chamber Lock Bar	93	900595	2	Torx Screw Sems 8-32 x 3/8
46	404927	1	Spring, Trigger	95	014883	1	Nameplate
47	401328	1	Retainer ring	96	900427	1	Light Pipe
48	401461	2	Piston Ring	97	900468	1	Washer, Motor Shaft
49	404485	1	Piston Assembly, includes rings	98	404411	2	Spring
50	902233	1	Combustion Chamber Assembly	99	900546	1	Brass Insert
51	404827	2	Pin	100	900597	1	Screw Thread Forming Sems 6-19 x 3/8
52	404419	1	Bumper	101	902238	1	Utility Hook Spring

■ Apply Loctite 242 (Blue)

▲ Apply Loctite RC-620 (Green)

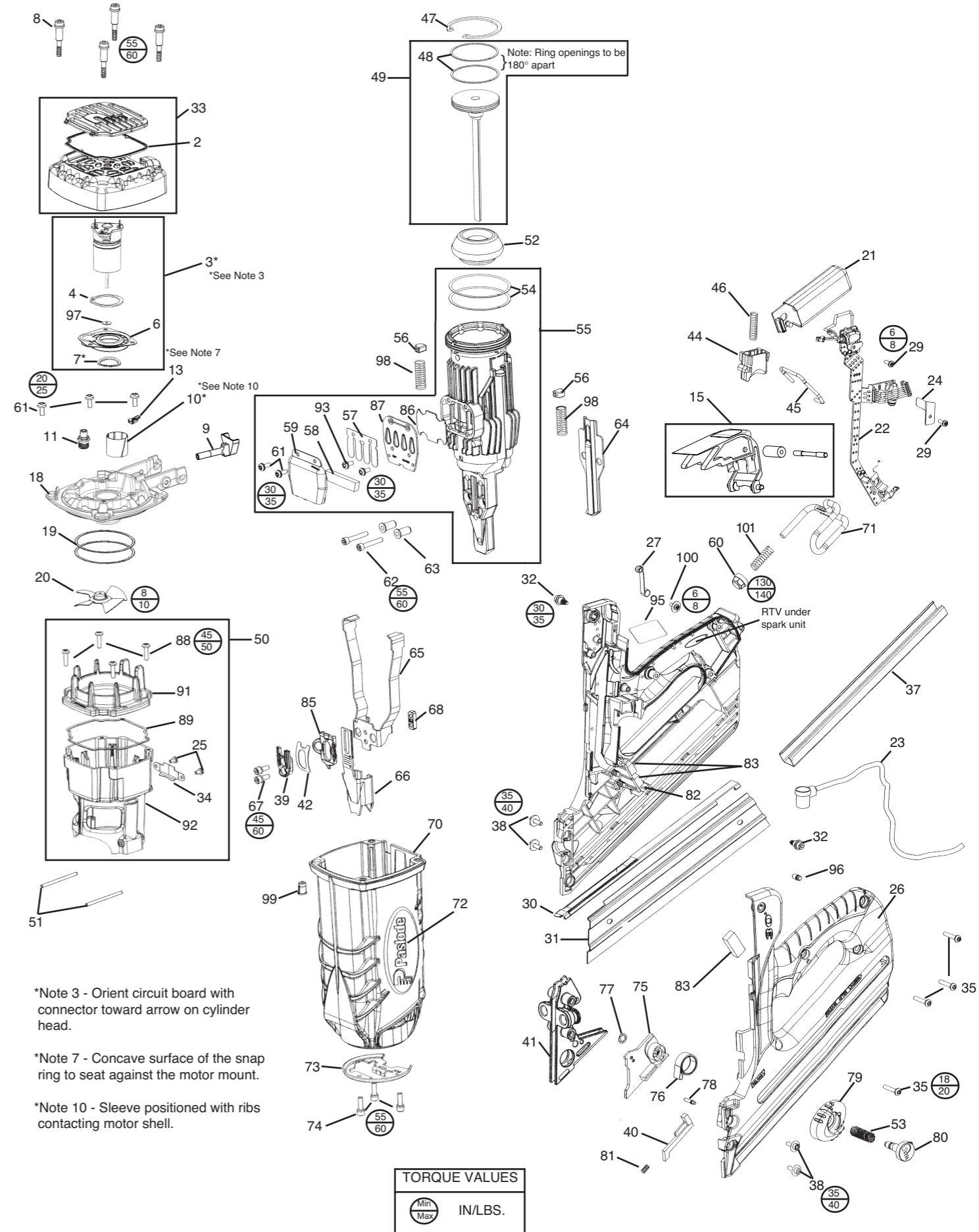
→ Denotes new change.

## SAFETY INSTRUCTIONS

WEAR EYE AND HEARING PROTECTION



Always wear hearing protection and eye protection devices, including sideshields when operating or working in the vicinity of a tool.



\*Note 3 - Orient circuit board with connector toward arrow on cylinder head.

\*Note 7 - Concave surface of the snap ring to seat against the motor mount.

\*Note 10 - Sleeve positioned with ribs contacting motor shell.