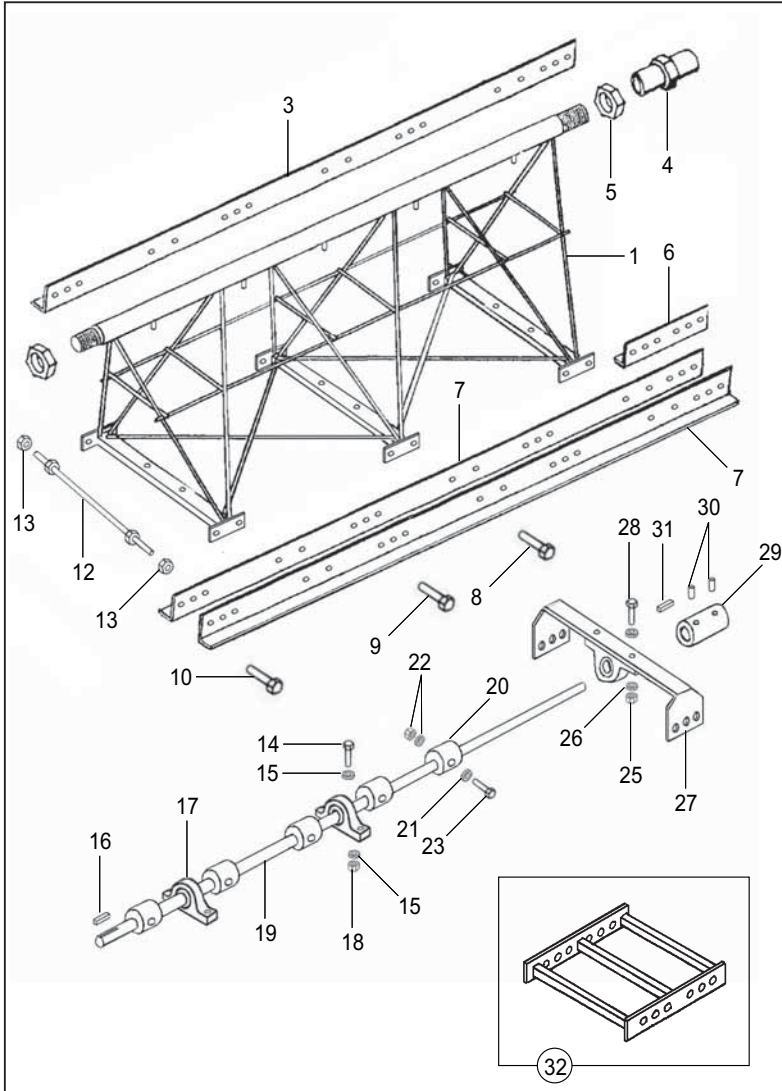


# Mechanical Sections



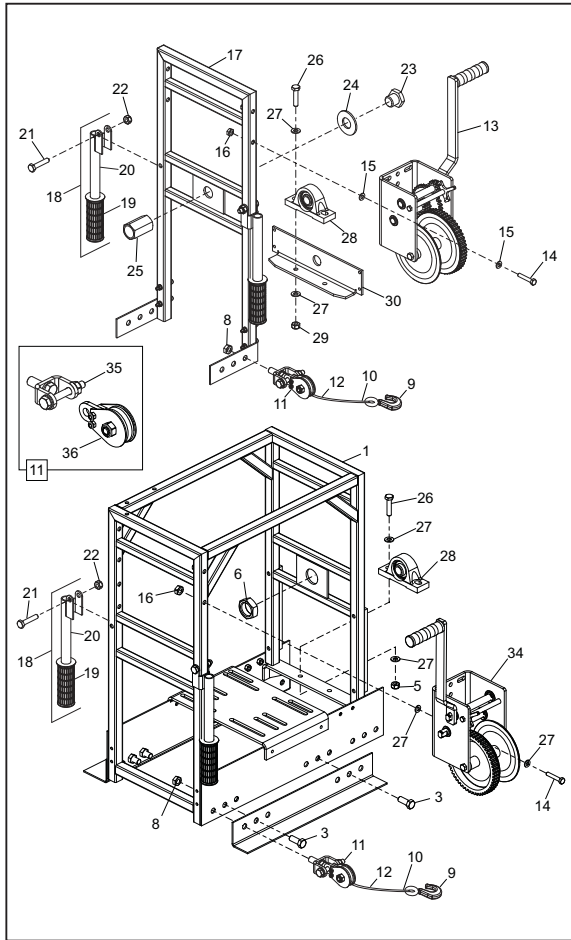
(1) **Reinforcement Box** (Item 32) - 1 required per Section on machines over 10m (35ft) long. The Reinforcement Box fits in between each joining section.

(2) **Top pipe repair kit** comprises of 2 stub ends, to replace the damaged threads, and top pipe coupler. Individual stub ends are available, right hand (Part No. 102.22.116), left hand (Part No. 102.22.115).

# Mechanical Sections

Item Number	Part Number	Description	Quantity		
			2'0"	5'0"	7'6"
1	102.50.000	Frame (2')	1	-	-
	102.01.200	Frame (5')	-	1	-
	102.00.200	Frame (7'6")	-	-	1
2	102.08.000	Jam Nut R/H	1	1	1
3	102.10.173	Bullfloat Blade (2')	1	-	-
	102.05.001	Bullfloat Blade (5')	-	1	-
	102.04.001	Bullfloat Blade (7'6")	-	-	1
4	102.07.000	Top Pipe Coupler	1	1	1
5	102.08.001	Jam Nut L/H	1	1	1
6	102.06.001	Splice Blade	2	2	2
7	102.10.172	Screed Blade (2')	2	-	-
	102.03.001	Screed Blade (5')	-	2	-
	102.02.001	Screed Blade (7'6")	-	-	2
8	102.10.066	Bolt (1/2" x 3/4" UNC)	-	3	6
9	102.10.067	Bolt (1/2" x 1" UNC)	7	11	15
10	02.4.055	Bolt (1/2" x 1 1/4" UNC)	9	9	9
11	102.10.106	Nut (1/2" UNC)	12	24	36
12	102.63.000	Stabilizer Rod	-	1	2
14	00.0.034	Bolt (10 x 45mm)	2	4	6
15	05.0.010	Washer (10mm)	4	8	12
16	06.8.001	Key (3/16"sq x 1 1/4")	1	1	1
17	12.0.019	Bearing	1	2	3
18	01.0.105	Nyloc Nut (10mm)	2	4	6
19	102.20.716	Shaft (2')	1	-	-
	102.20.715	Shaft (5')	-	1	-
	102.20.714	Shaft (7'6")	-	-	1
20	102.10.276	Vibrator Eccentric	2	4	6
21	05.0.002	Washer (6mm)	2	4	6
22	01.0.103	Nyloc Nut (6mm)	2	4	6
23	07.0.013	Caphead Screw (6 x 45mm)	2	4	6
24	12.0.019	Bearing	1	1	1
25	01.0.105	Nyloc Nut (10mm)	2	2	2
26	05.0.010	Washer (10mm)	4	4	4
27	102.35.000	Bearing Bracket	1	1	1
28	00.0.034	Bolt (10 x 45mm)	2	2	2
29	102.20.635	Coupler (Shaft)	1	1	1
30	03.4.003	Grubscrew (5/16" x 3/8" UNC)	4	4	4
31	06.8.001	Key	1	1	1
32	102.36.000	Reinforcement Box <sup>(1)</sup>	x	x	x
-	21.0.275	Plastic Plugs ( <i>Not Shown</i> )	2	3	5
-	102.22.234	Top Pipe repair kit <sup>(2)</sup> ( <i>Not Shown</i> )	x	x	x
<b>Mechanical Sections (Comp) - includes shaft vibration system &amp; connection parts</b>					
-	102.9.102	2' Frame Complete (as stated above)	x	-	-
-	102.9.105	5' Frame Complete (as stated above)	-	x	-
-	102.9.107	7'6" Frame Complete (as stated above)	-	-	x

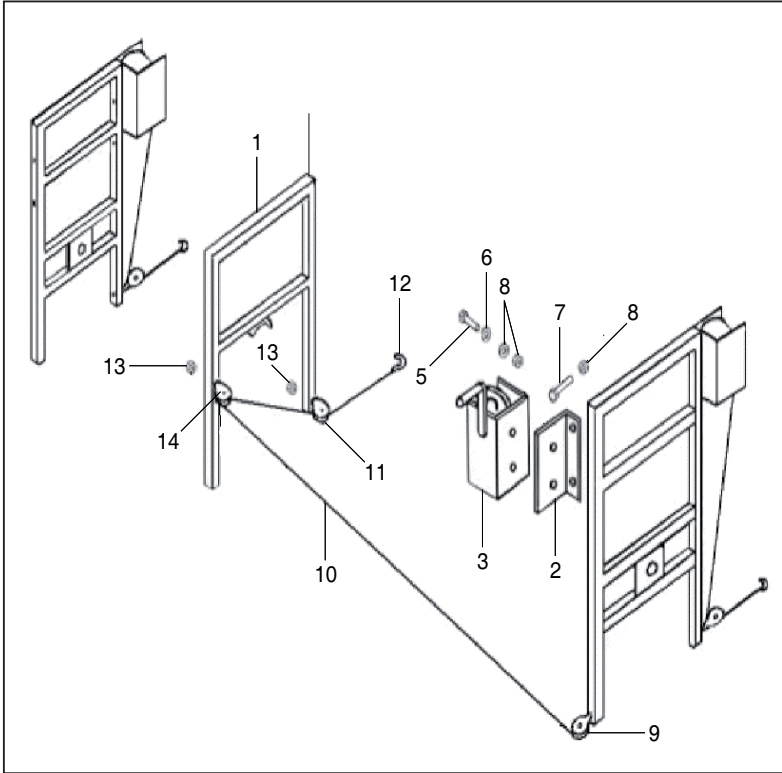
# Mechanical Build



Item Number	Part Number	Description	Qty	Item Number	Part Number	Description	Qty
1	102.26.001.....	Main Frame .....	1	19	19.0.701.....	Grip Only .....	4
2	102.18.656.....	Bullfloat Blade .....	1	20	102.17.066.....	Handle Assy.....	4
3	02.4.053.....	Bolt (1/2" x 1 1/4" UNC).....	11	21	9/10007.....	Bolt (10 x 50mm).....	4
4	102.18.655.....	Screed Blade.....	2	22	8/10006.....	Nyloc Nut (10mm).....	4
5	01.4.004.....	Nut (1/2" UNC).....	11	23	102.13.000.....	End Nut.....	1
6	102.08.000.....	Jam Nut R/H.....	1	24	102.10.088.....	Washer.....	1
7	102.18.670.....	Winch Assy. L/H.....	1	25	102.15.000.....	Adaptor L/H.....	1
8	01.4.004.....	Nut (1/2" UNC).....	1	26	7/10009.....	Bolt (10 x 45mm).....	4
9	102.10.008.....	Hook.....	1	27	4/1005.....	Washer (10mm).....	10
10	102.20.012.....	Rope Clamp.....	1	28	12.0.019.....	Bearing.....	2
11	102.10.005.....	Pulley c/w Eye Bolt.....	1	29	8/10006.....	Nyloc Nut (10mm).....	4
12	102.10.103.....	Cable (30m).....	1	30	102.0.020.....	Bearing Bracket.....	1
13	102.10.100A.....	Winch Assembly.....	1	31	8/6007.....	Nyloc Nut (6mm).....	4
14	7/8026.....	Bolt (8 x 45mm).....	2	32	4/6001.....	Washer (6mm).....	8
15	4/8006.....	Washer (8mm).....	6	33	07.0.013.....	Caphead Screw (6 x 45mm).....	4
16	8/8005.....	Nyloc Nut (8mm).....	2	34	102.10.100.....	Winch Assy. R/H.....	1
17	102.90.000.....	End Frame.....	1	35	102/00200SP.....	Pulley Bracket.....	1
18	102.3.010.....	Handle c/w Grip.....	4	36	102/00100SP.....	Pulley.....	1

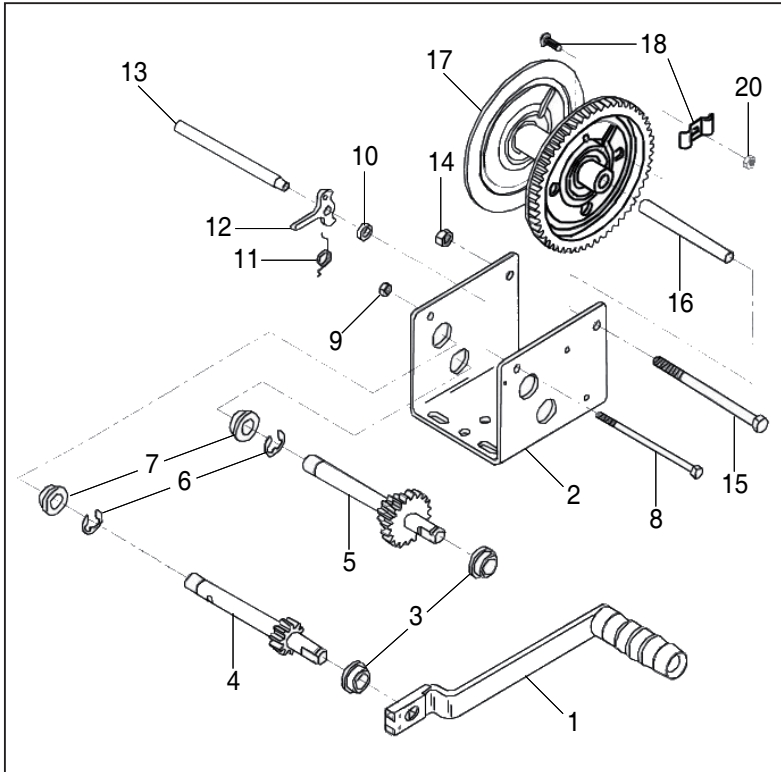
# Centre Winch Kit

**NOTE:** Centre winch kit are recommended for machines above 16m (52ft) in length.



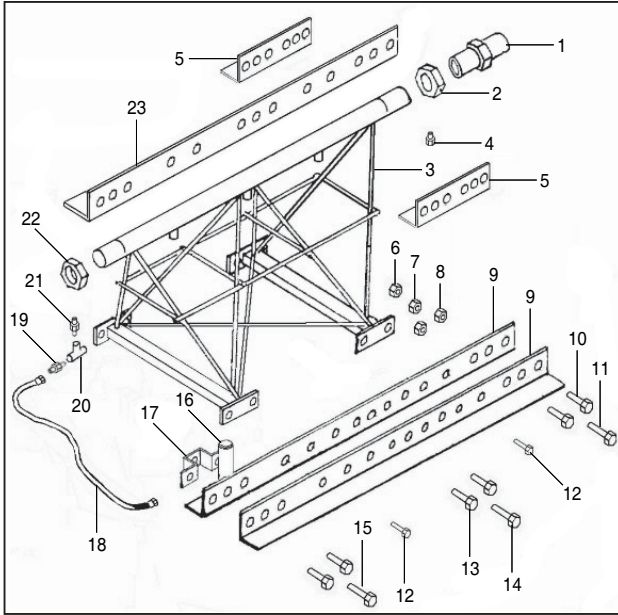
Item Number	Part Number	Description	Qty
1	102.0.065	Centre Winch Handle	1
2	102.16.334	Winch Mounting Bracket	1
3	102.10.100A	Winch Assy c/w winch handle	1
5	00.0.022	Bolt (8 x 45mm)	2
6	05.0.006	Washer (8mm)	10
7	00.0.019	Bolt (M8 x 30)	2
8	01.0.104	Nyloc Nut (8mm)	4
9	102.10.005	Pulley c/w Eye Bolt	1
10	102.0.115	Cable (40m)	1
11	102.20.012	Rope Clamp	1
12	102.10.008	Hook	1
13	01.0.105	Nyloc Nut (M10)	2
14	102.3.035	Pulley c/w Eye Bolt	2

# Winch Assembly



Item Number	Part Number	Description	Qty
1	102.10.002	Winch handle.....	1
2	102.50.004	Winch base.....	1
3	102.50.002	Bushing.....	2
4	102.50.006	Upper drive shaft.....	1
5	102.50.022	Intermediate drive shaft.....	1
6	102.50.003	"E" Ring.....	2
7	102.50.002	Bushing.....	2
	102.50.010	Ratchet Kit (c/w Items 8-13) ...	1
8	-	Ratchet bolt.....	1
9	-	Locknut.....	1
10	-	Spacer.....	1
11	-	Spring.....	1
12	-	Ratchet.....	1
13	-	Ratchet sleeve.....	1
14	102.20.015	Locknut.....	1
15	102.50.014	Reel Shaft.....	1
16	102.50.015	Tubing spacer.....	1
17	102.50.016	Winch reel.....	1
18	102.20.010	Rope Clamp Kit.....	1

# Pneumatic Sections

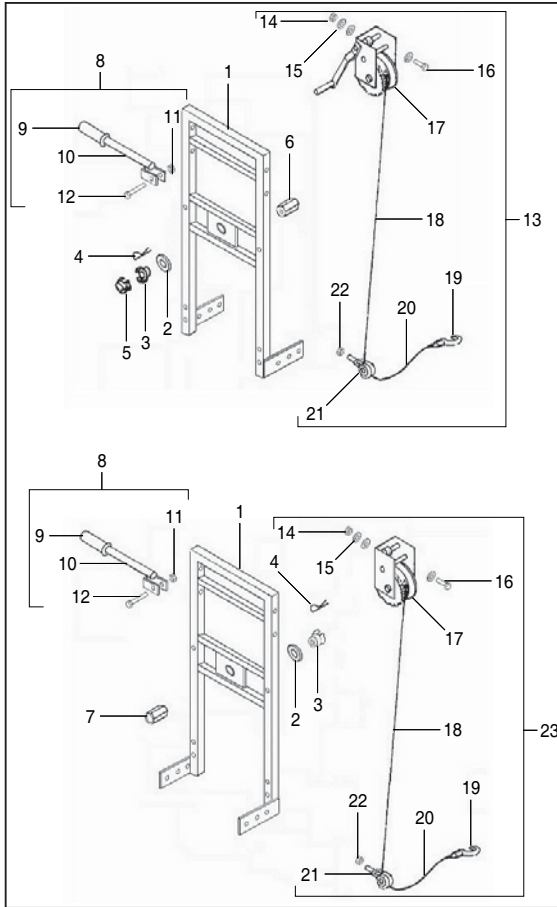


Item Number	Part Number	Description	2'0"	5'0"	7'6"
1	102.07.000	Top Pipe Coupler	1	1	1
2	102.08.001	Jam Nut L/H	1	1	1
3	102.50.000	Frame (2')	1		
	102.01.200	Frame (5')		1	
	102.00.200	Frame (7'6")			1
4	14.0.034	Plug	x	x	x
5	102.06.001	Splice Blade	2	2	2
6	102.11.491	Philidas Nut (1/2" UNF)	2	4	6
7	01.3.004	Nut (1/2" UNF)	2	4	6
8	01.4.004	Nut (1/2" UNC)	14	20	32
9	102.10.172	Screed Blade (2')	2		
	102.03.001	Screed Blade (5')		2	
	102.02.001	Screed Blade (7'6")			2
10	02.4.055	Setscrew (1/2" x 1 1/4" UNC)	8	8	8
11	00.3.060	Bolt (1/2" x 2 1/2" UNF)		1	2
12	102.10.066	Bolt (1/2" x 3/4" UNC)		2	4
13	02.4.053	Setscrew (1/2" x 1" UNC)	7	11	23
14	00.3.061	Bolt (1/2" x 2 3/4" UNF)	1	2	3
15	102.11.489	Bolt (1/2" x 3" UNF)	1	1	1
16	102.11.000	Vibrator c/w Adaptor	2	4	6
17	102.20.053	Vib Mounting Bracket	2	4	6
18	102.32.000	Hose Assy	2	4	6
19	14.0.594	Adaptor	2	4	6
20	14.0.519	Tee-Piece (1/4" BSP)		1	1
21	14.0.013	Nipple (1/4")	2	4	6
22	102.08.000	Jam Nut R/H	1	1	1
23	102.10.173	Bullfloat Blade (2')	1		
	102.05.001	Bullfloat Blade (5')		1	
	102.04.001	Bullfloat Blade (7'6")			1

## Pneumatic Sections (complete)

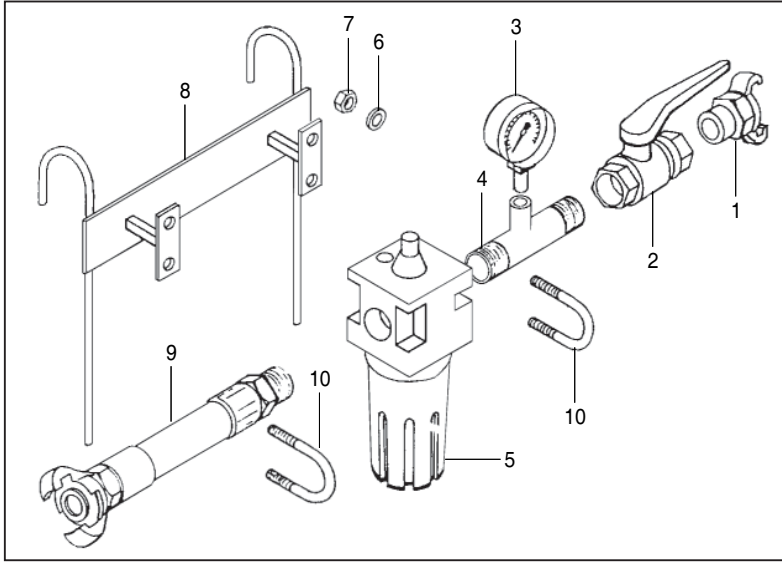
-	102.9.002	2' Frame Complete (c/w fitments)	x		
-	102.9.005	5' Frame Complete (c/w fitments)		x	
-	102.9.007	7'6" Frame Complete			x

# Pneumatic Option



Item Number	Part Number	Description	Qty	Item Number	Part Number	Description	Qty
1	102.90.000	End Frame	2	19	102.10.008	Hook	1
2	102.10.088	Washer	2	20	102.20.012	Rope Clamp	1
3	102.18.000	Claw Coupling (3/4")	2	21	102.10.005	Pulley c/w Eye Bolt	1
4	06.9.003	R' Clip	4	22	01.4.004	Nut (1/2" UNC)	1
5	102.17.000	Plug	1	23	102.18.670	Winch Assy. L/H	1
6	102.14.000	Adapter R/H	1				
7	102.15.000	Adapter L/H	1				
8	102.3.010	Handle c/w Grip	4				
9	19.0.701	Grip Only	4				
10	102.17.066	Handle Assy	4				
11	01.0.105	Nyloc Nut (10mm)	4				
12	00.0.035	Bolt (10 x 50mm)	4				
13	102.10.100	Winch Assy. R/H	1				
14	01.0.104	Nyloc Nut (8mm)	2				
15	05.0.006	Washer (8mm)	6				
16	00.0.022	Bolt (8 x 45mm)	2				
17	102.10.100A	Winch Assy	1				
18	102.10.103	Cable (30m)	1				

# Air Control Assembly



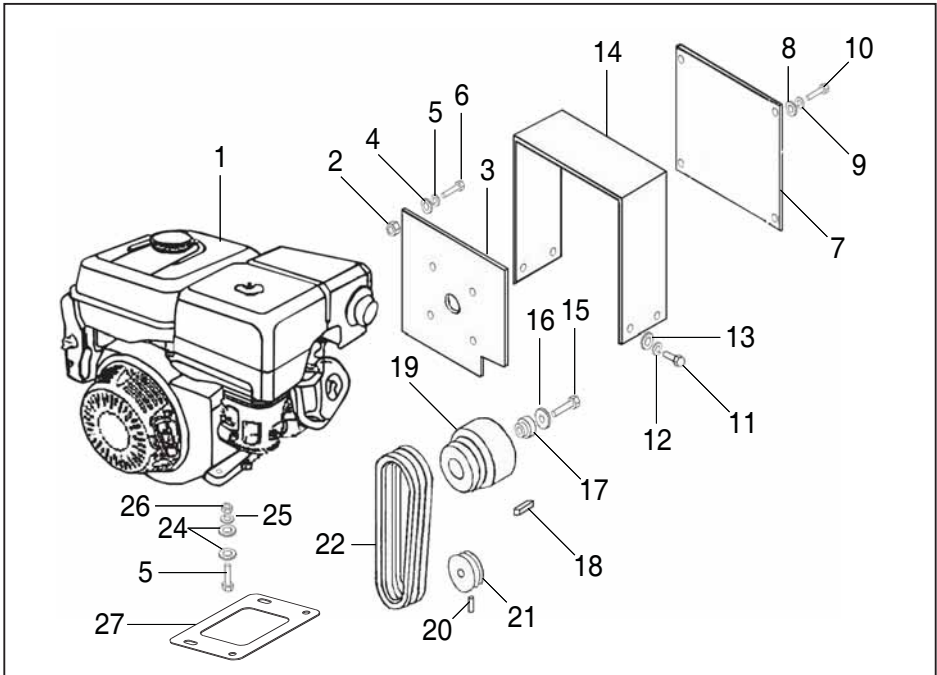
Item Number	Part Number	Description.....Qty
1	19.1.020	Claw Coupling (1" M).....1
2	14.0.082	Ball Valve (1" F/F).....1
3	21.0.070	Pressure Gauge (1/4" 0-10 Bar).....1
4	102.16.003	Nipple with gauge adaptor.....1
5	15.0.316	Lubricator (1").....1
6	05.0.002	Washer (M6).....2
7	01.0.103	Nyloc Nut (M6).....2
8	102.16.007	Bracket.....1
9	102.16.006	Air Hose Complete.....1
10	102.16.008	Clamps.....2

### Lubricator Parts

-	15.0.305	Filler Bowl, Seal and Drain.....1
-	15.0.304	Sight Bowl.....1

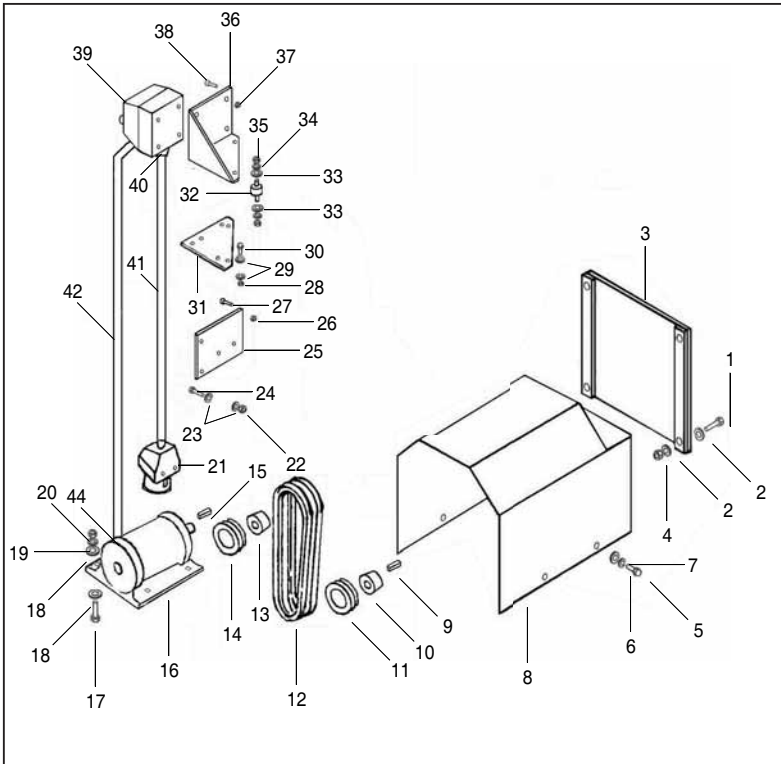


# Petrol Option



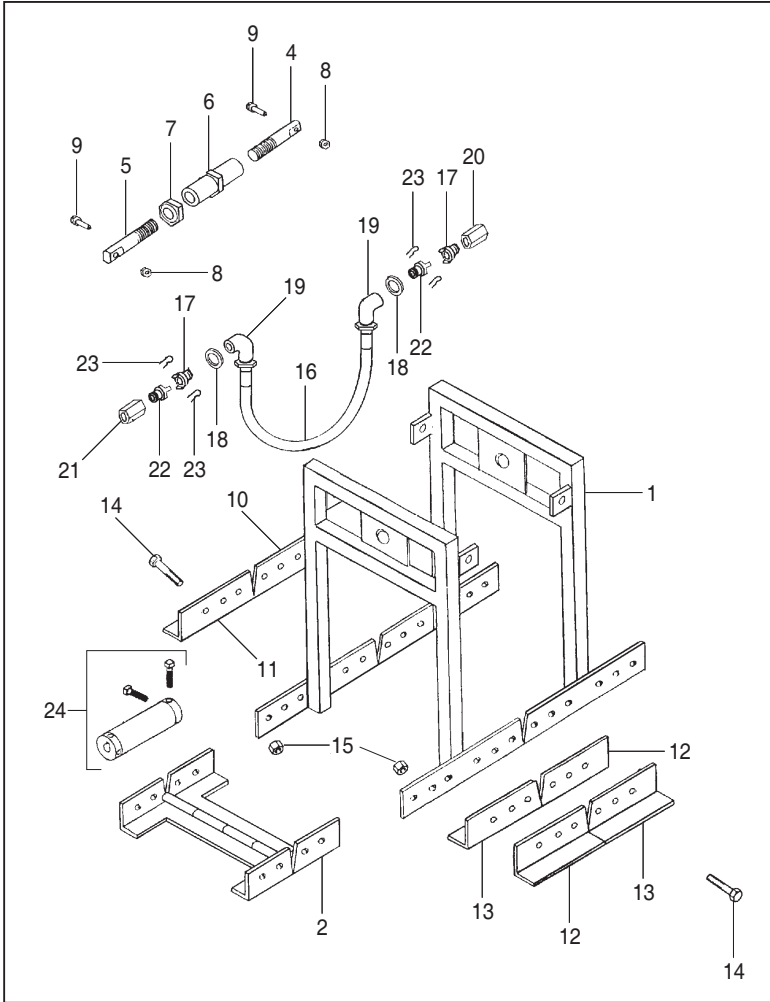
Item Number	Part Number	Description	Qty	Item Number	Part Number	Description	Qty
1	20/0106	Honda GX270 QXQ4 Engine	1	23	7/8026	Setscrew (M8 x 50 mm)	4
2	8/10003	Nut (1/2" UNC)	4	24	4/1005	Washer (10 mm)	8
3	102.0.005	Guard Backplate	1	25	4/1003	Spring Washer (10 mm)	4
4	4/1005	Washer (10 mm)	4	26	8/10003	Nut (10 mm)	4
5	4/1003	Spring Washer (10 mm)	4	27	21/0434	Engine Spacer (From 10201496424)	1
6	00.4.137	Bolt (3/8" x 1 1/4" UNC)	4				
7	102.0.116	Guard Front Cover (From '02)	1				
7	102.0.003	Guard Front Cover (Up To '02)	1				
8	4/8006	Washer (8 mm)	4				
9	4/8003	Spring Washer (8 mm)	4				
10	7/8007	Setscrew (8 x 35 mm)	4				
11	7/8008	Setscrew (8 x 16 mm)	4				
12	4/8003	Spring Washer (8 mm)	4				
13	4/8006	Washer (8 mm)	4				
14	102.0.004	Guard Wrapper	1				
15	02.3.059	Setscrew (7/16" x 2 1/4" UNF)	1				
16	4/1202	Spring Washer	1				
17	102.0.039	Clutch Top Hat	1				
18	06.8.012	Key (1/4"sq x 1 1/8"lg)	1				
19	102.26.003	Clutch (1" Bore)	1				
20	03.0.003	Skt Grubscrew (M8 x 12 mm)	2				
21	102.20.698	Pulley	1				
22	102.20.835	Belt (Up To 10201496423)	2				
22	21/0433	Belt (From 10201496424)	2				

# Electric Option



Item Number	Part Number	Description	Qty	Item Number	Part Number	Description	Qty
1	02.0.027.....	Bolt 8 x 35 mm.....	4	25	102.0.046.....	Socket Mounting Plate.....	1
2	05.0.006.....	Washer 8 mm.....	8	26	01.0.101.....	Nyloc Nut 4 mm.....	2
3	102.0.116.....	Front Cover.....	1	27	07.0.408.....	Panhead Screw 4 x 16 mm.....	2
4	01.0.104.....	Nyloc Nut 8 mm.....	4	28	01.0.104.....	Nyloc Nut 8 mm.....	2
5	02.0.023.....	Setscrew 8 x 20 mm.....	4	29	05.0.006.....	Washer 8 mm.....	4
6	05.1.005.....	Spring Washer 8 mm.....	4	30	00.0.022.....	Bolt 8 x 45 mm.....	2
7	05.0.006.....	Washer 8 mm.....	4	31	102.0.045.....	Starter Mounting Plate.....	1
8	102.0.049.....	Motor Cover.....	1	32	21.0.010.....	Rubber Mount.....	3
9	06.8.001.....	Key 3/16" x 3/16" x 1 1/4".....	1	33	05.0.006.....	Washer 8 mm.....	6
10	10.9.036.....	Taperlock Bush 1108 x 3/4".....	1	34	05.1.005.....	Spring Washer 8 mm.....	6
11	10.1.003.....	Pulley SPZ 2 x 71.....	1	35	01.0.004.....	Nut 8 mm.....	6
12	11.0.000.....	Belt SPZ 630.....	2	36	102.0.121.....	Starter Mount.....	1
13	10.8.159.....	Taperlock Bush 1610 x 28 mm..1	1	37	01.0.101.....	Nyloc Nut 4 mm.....	4
14	10.1.010.....	Pulley SPZ 2 x 112.....	1	38	07.0.409.....	Panhead Screw 4 x 12 mm.....	4
15	06.3.006.....	Key.....	1	39	70/0255.....	Starter.....	1
16	29.3.021.....	Motor.....	1	-	13.4.627.....	Overload for above starter.....	1
17	00.0.032.....	Bolt 10 x 35 mm.....	4	40	13.6.047.....	Male Connectors.....	3
18	05.0.010.....	Washer 10 mm.....	8	41	71/0263.....	Harness.....	1
19	05.1.006.....	Spring Washer 10 mm.....	4	42	71/0264.....	Harness.....	1
20	01.0.005.....	Nut 10 mm.....	4	-	14.0.502.....	Reducing Bush.....	1
21	13.9.101.....	Socket.....	1	-	13.5.014.....	Red Cable 2.5 mm.....	4500mm
22	01.0.104.....	Nyloc Nut 8 mm.....	2				
23	05.0.006.....	Washer 8 mm.....	4				
24	00.0.021.....	Bolt 8 x 40 mm.....	2				

# Crown Assembly



Item Number	Part Number	Description	Qty
1	102.0.056	Crown Frame Assy	2
2	102.0.055	Hinge Bracket Assy	1
3	102.21.166	Crown Adjustment Assy	1
4	102.0.052	Screw L/H Crown Adj	1
5	102.0.053	Screw R/H Crown Adj	1
6	102.0.054	Adapter Screw	1
7	102.0.051	R/H Jam Nut	2
8	01.0.106	Nyloc Nut 12mm	4
9	00.0.050	Bolt 12 x 60mm	4
10	102.10.433	Bullfloat Blade Invert L/H	1
11	102.10.432	Bullfloat Blade Invert R/H	1
12	102.10.435	Screed Blade Invert L/H	2
13	102.10.434	Screed Blade Invert R/H	2
14	102.10.068	Bolt 1/2" x 1 1/4" UNC	24
15	01.4.004	Nut 1/2" UNC	24

Item Number	Part Number	Description	Qty
<b>Pneumatic Drive Only</b>			
16	102.21.164	Hose Assy	1
17	19.1.034	Claw Coupling 1"	2
18	102.10.088	Washer	2
19	14.0.227	Elbow	2
20	102.15.000	Adapter L/H	1
21	102.14.000	Adapter R/H	1
22	102.18.000	Claw Coupling 3/4"	2
23	06.9.003	'R' Clip	4
<b>Mechanical Drive Only</b>			
24	102.20.867	Flex Coupling Complete	1