

MB 248.4

Spare Parts List

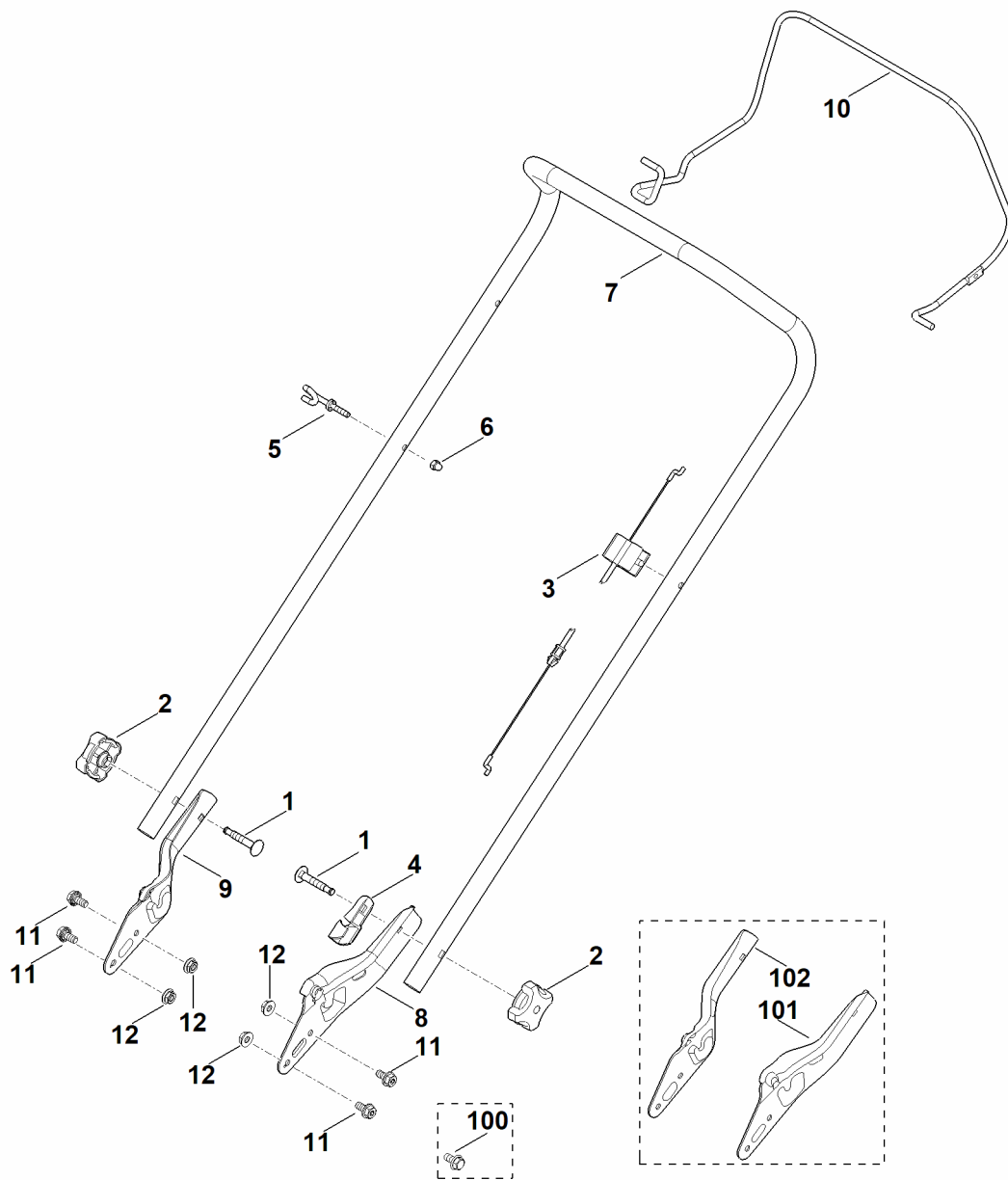
04/26/2022

United Kingdom, English

Contents

A - Handle	2
B - Housing	4
C - Chassis	6
D - Engine, blade	9
E - Grass catcher bag	11
F - Tools	13
G - Special tool	15

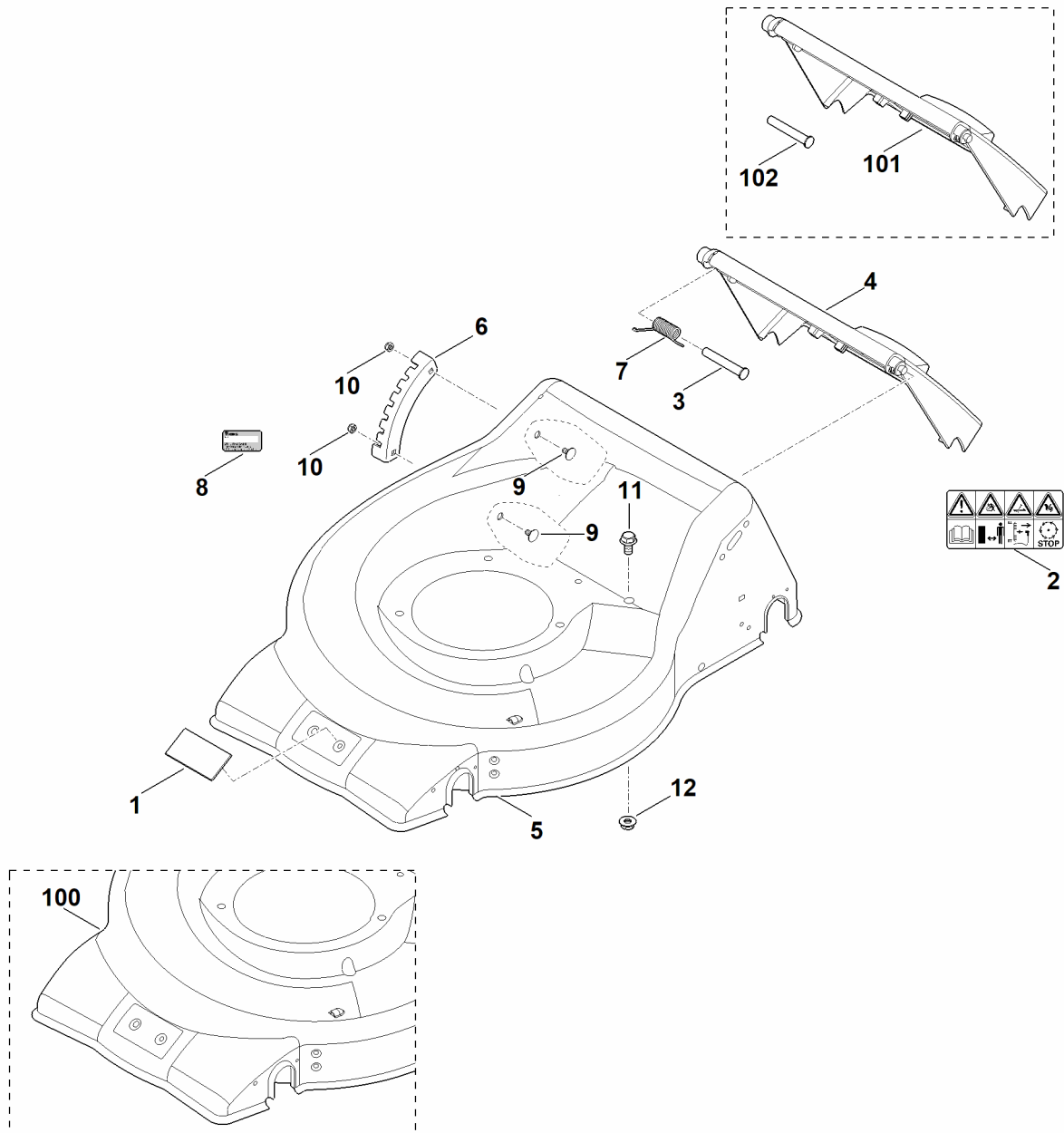
A - Handle



A - Handle

#	Part Number	Description	Quantity	Contains Item(s)	Remarks
1	0000 703 3705	Screw M8x50	2		
2	0000 760 1800	Rotary handle	2		
3	6350 700 7523	Cable	1		Motorstop
3	6350 700 7522	Cable	1		Motorstop
4	6320 706 6610	Guide	1		
5	6350 760 3800	Cable guide	1		
6	9240 216 0900	Cap nut M6	1		
7	6371 763 5000	Upper handlebar	1		
8	6371 763 4803	Lower handlebar left	1		
9	6371 763 4808	Lower handlebar right	1		
10	6350 764 0200	Switch lever	1		
11	9025 313 5000	Screw M8x16	4		
12	9220 263 1100	Hexagon nut M8	4		
100	9025 313 5003	Screw M8x16	4		
101	6371 763 4800	Lower handlebar left	1		
102	6371 763 4805	Lower handlebar right	1		

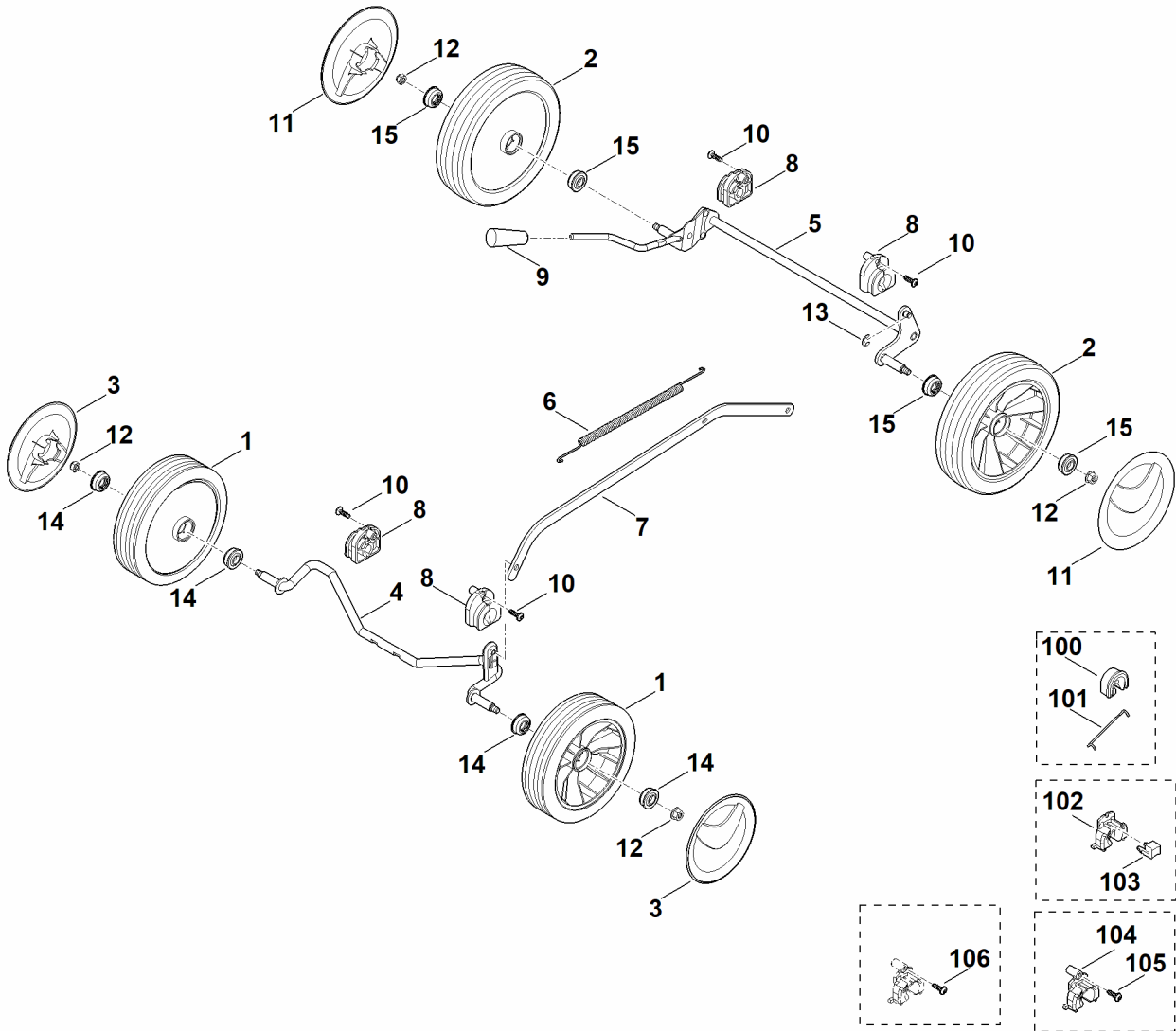
B - Housing



B - Housing

#	Part Number	Description	Quantity	Contains Item(s)	Remarks
	6350 007 1080	Flap set	1	A:8,9 + B:3,4	
1	0000 967 1000	Plate	1		
2	0000 967 3679	Warning note	1		
3	6350 706 5901	Bolt	1		
4	6350 700 2709	Flap	1	2	
5	6350 700 8521	Housing	1	1	
6	6371 703 9500	Notched plate	1		
7	6350 708 4500	Torsion spring	1		
8	0000 967 3453	Warning sign with machine number	1		
8	6350 967 0107	Model plate MB 248.4	1		
9	9027 318 1280	Flat head screw M6x16	2		
10	9216 261 0901	Hexagon nut M6	2		
11	9025 313 5000	Screw M8x16	1		
11	9025 313 5003	Screw M8x16	1		
12	9220 263 1100	Hexagon nut M8	1		
100	6350 700 8520	Housing Up to Serial Number: 438257553	1	1	
101	6350 700 2706	Flap	1	2	
102	6350 706 5900	Bolt	1		

C - Chassis



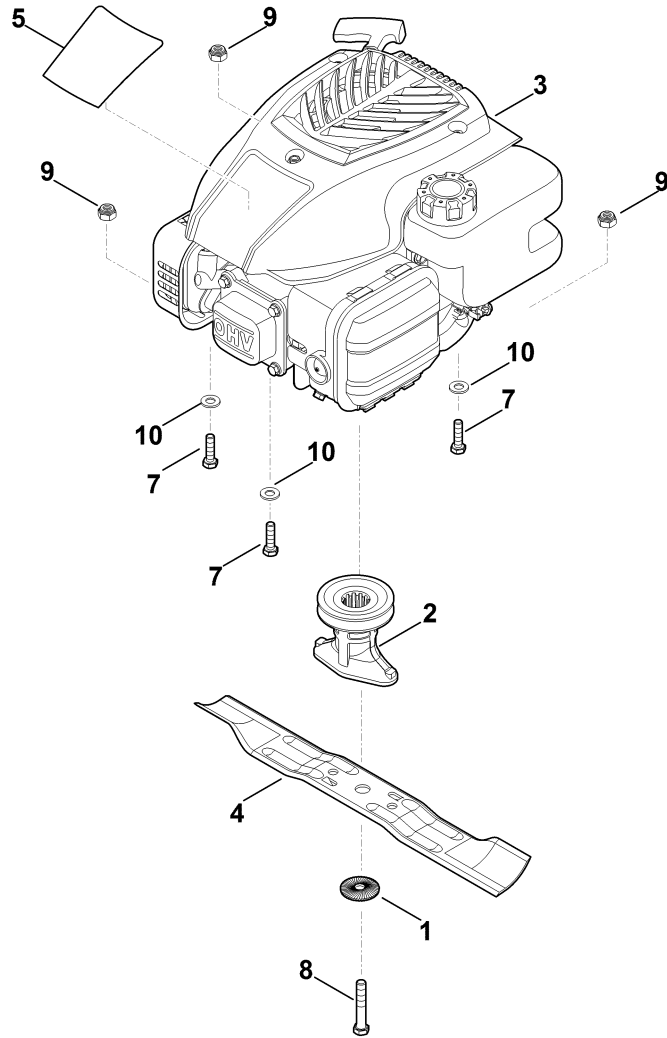
C - Chassis

#	Part Number	Description	Quantity	Contains Item(s)	Remarks
1	6100 700 0401	Wheel	2	14	
2	6105 700 0491	Wheel	2	15	
3	6340 704 0301	Wheel cap	2		
3	6340 704 0300	Wheel cap Up to Serial Number: 437974909	2		
4	6350 700 2421	Axle	1		
4	6350 700 2420	Axle Up to Serial Number: 438560005	1		
5	6371 700 2400	Axle	1	9	
6	6350 703 5105	Tension spring	1		
7	6350 703 8800	Translation lever	1		
8	6371 007 1090	Set of axle brackets	4	10	
8	6371 704 1211	Axle guard	4		
9	6350 706 6800	Handle	1		
10	9104 007 4289	Self-tapping screw IS-P5x20	4		
11	6375 704 0301	Wheel cap	2		
11	6375 704 0300	Wheel cap Up to Serial Number: 437974909	2		
12	9216 261 1100	Hexagon nut M8	4		
13	9460 624 0600	E-clip 6	1		
14	9503 003 9011	Grooved ball bearing 27M-3,6x12	4		
15	9503 003 9011	Grooved ball bearing 27M-3,6x12	4		
100	6371 704 1200	Axle guard Up to Serial Number: 436197401	4		
101	6350 708 0320	Spring clip Up to Serial Number: 436197401	4		
102	6371 704 1201	Axle guard Up to Serial Number: 438475427	4		
103	6371 706 0100	Lock	4		

C - Chassis

#	Part Number	Description	Quantity	Contains Item(s)	Remarks
		Up to Serial Number: 438475427			
104	6371 704 1210	Axle guard	4		
105	9104 007 4260	Self-tapping screw P5x12	4		
106	9104 007 4270	Pan head self-tapping screw IS-P5x16	4		

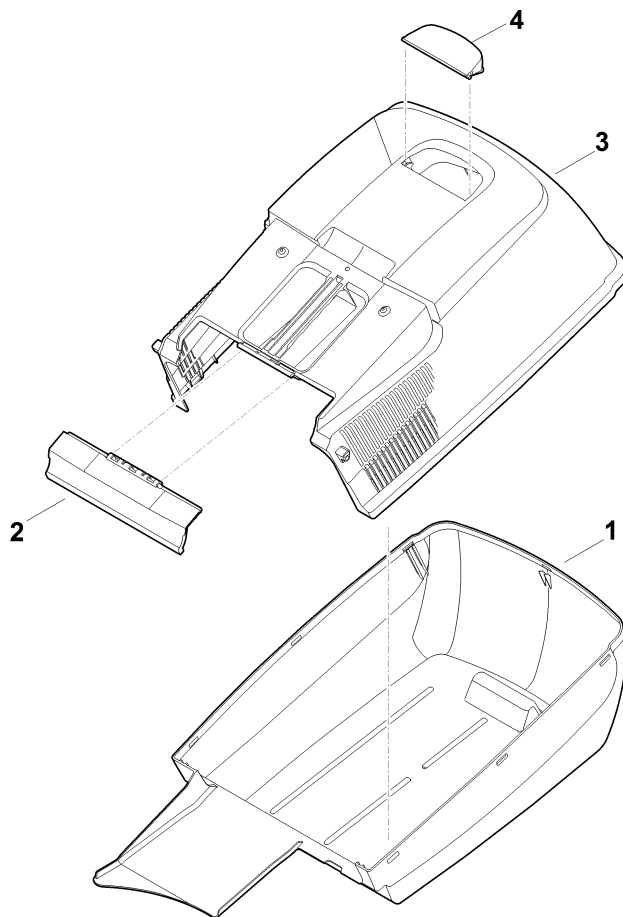
D - Engine, blade



D - Engine, blade

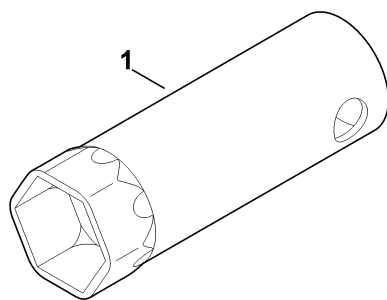
#	Part Number	Description	Quantity	Contains Item(s)	Remarks
1	0000 702 6600	Washer	1		
2	0000 702 5000	Blade bushing	1		
3	6350 011 1811	STIHL, four-stroke-engine EVC 200.1	1		Read data on engine/motor, for spare parts see heading "Engines/motors"
3	6350 011 1810	VIKING, four-stroke-engine EVC 200.0	1		Read data on engine/motor, for spare parts see heading "Engines/motors"
4	6350 702 0103	Blade	1		
4	6350 702 0102	Blade Up to Serial Number: 436334864	1		
5	6350 967 3810	Name plate MB 248	1		
7	9008 319 1880	Hexagon head screw M8x35	3		
8	9008 319 9028	Hexagon head screw 3/8"x21/4"	1		Glue on (LOC-TITE 243)
9	9214 320 1105	Lock nut M8	3		
10	9291 020 0180	Washer 8,4	3		

E - Grass catcher bag



E - Grass catcher bag

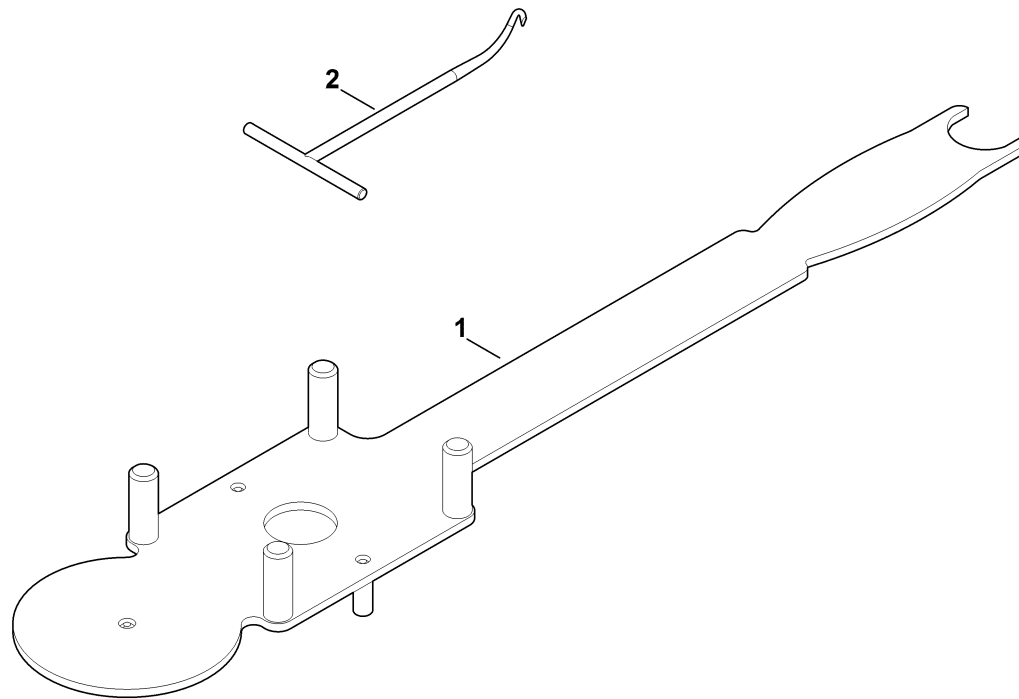
#	Part Number	Description	Quantity	Contains Item(s)	Remarks
1	6371 703 9605	Lower part of grass catcher bag	1		
2	6371 708 8000	Flap	1		
3	6371 760 2102	Upper part of grass catcher bag	1	2,4	
3	6371 760 2101	Upper part of grass catcher bag Up to Serial Number: 438316732	1	2,4	
4	6375 708 8000	Flap	1		



F - Tools

#	Part Number	Description	Quantity	Contains Item(s)	Remarks
1	0812 190 1005	Spark plug wrench	1		

G - Special tool



G - Special tool

#	Part Number	Description	Quantity	Contains Item(s)	Remarks
1	6165 890 2200	Installing tools	1		
2	0000 890 2800	Installation hook	1		