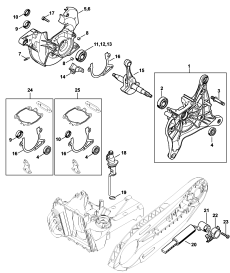


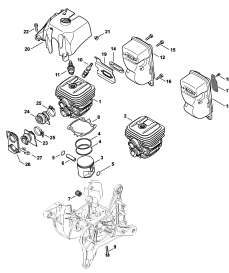
03-2017-D-GB

Table of contents

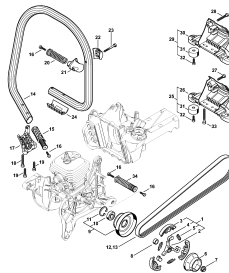
TS 410, TS 420	4
Crankcase	6
Cylinder, Muffler	8
Clutch, Handlebar	11
Rewind starter	14
Tank housing	16
Ignition system	18
Carburetor C1Q-S118, C1Q-167	20
Air filter, Shroud	23
Connector, Guard	26
Wheel kit	30
Pressurized water tank	32
Pressurized water tank (28.2010)	34
Tools, Extras	36
Serial number	38
Tightening torques	40
Tightening torques	42
Tightening torques	44



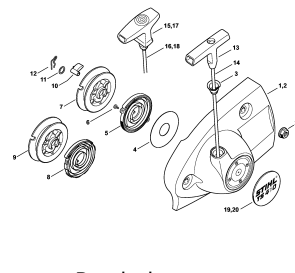
Crankcase



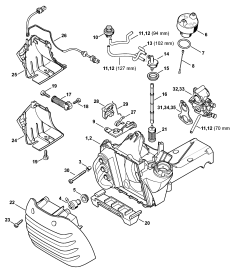
Cylinder, Muffler



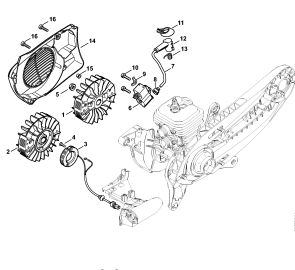
Clutch, Handlebar



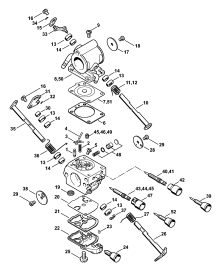
Rewind starter



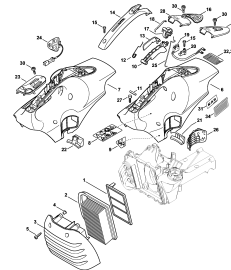
Tank housing



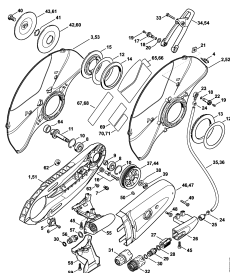
Ignition system



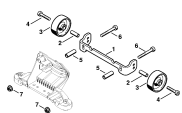
Carburetor C1Q-S118, C1Q-167



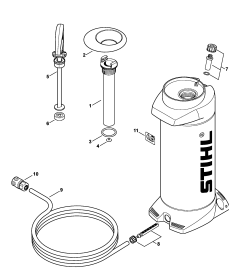
Air filter, Shroud



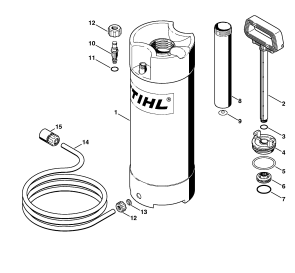
Connector, Guard



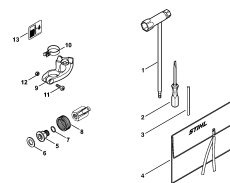
Wheel kit



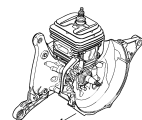
Pressurized water tank



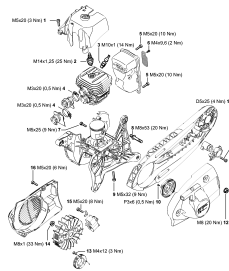
Pressurized water tank (28.2010)



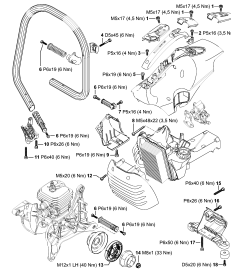
Tools, Extras



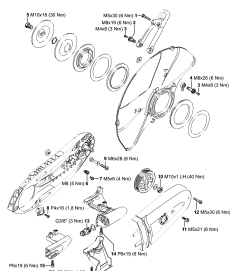
Serial number



Tightening torques



Tightening torques



Tightening torques

(1) TS 410, (2) TS 410-A, (3) TS 410-AZ, (4) TS 410-Z, (5) TS 420, (6) TS 420-A, (7) TS 420-AZ, (8) TS 420-Z

Description

Crankcase

Cylinder, Muffler

Clutch, Handlebar

Rewind starter

Tank housing

Ignition system

Carburetor C1Q-S118, C1Q-167

Air filter, Shroud

Connector, Guard

Wheel kit

Pressurized water tank

Pressurized water tank (28.2010)

Tools, Extras

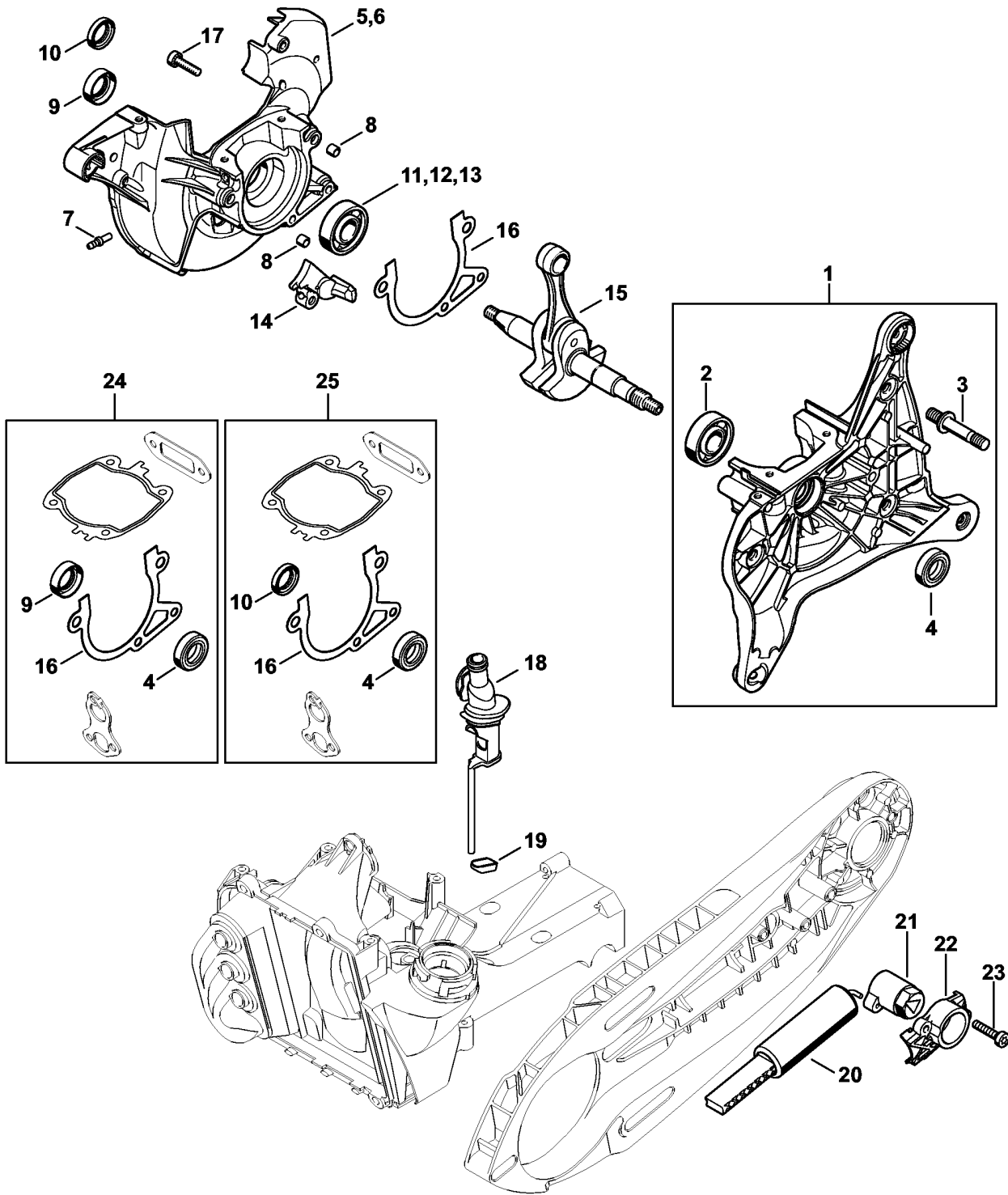
Serial number

Tightening torques

Tightening torques

Tightening torques

Crankcase



4238-GET-10039-A0

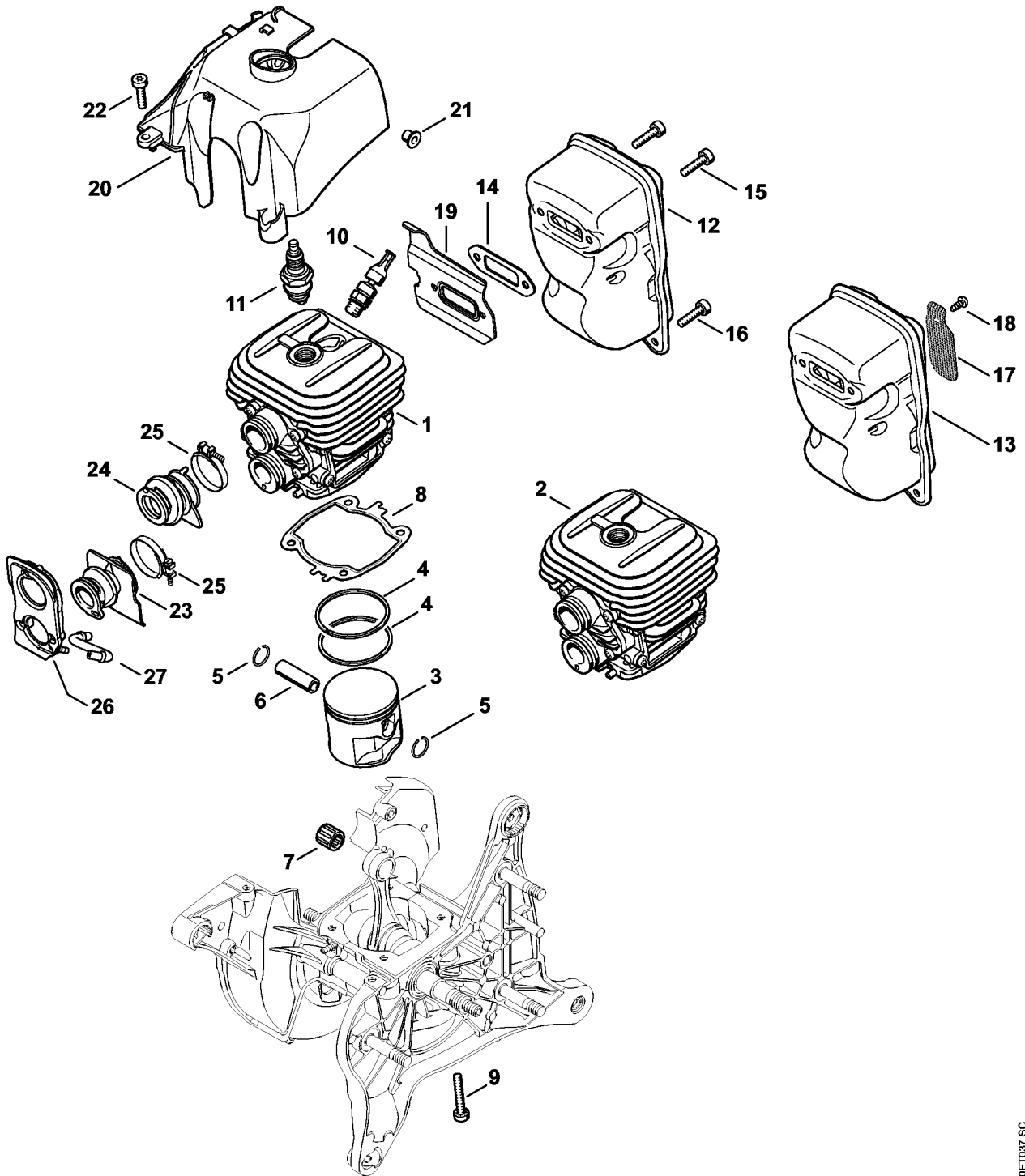
(1) TS 410, (2) TS 410-A, (3) TS 410-AZ, (4) TS 410-Z, (5) TS 420, (6) TS 420-A, (7) TS 420-AZ, (8) TS 420-Z

Crankcase

Reference	Item number	Qty	Description	Contains	Technical Information
1	4238 020 2909	1	Crankcase, drive end	2 - 4	23.2013
2	9503 003 0360	1	Grooved ball bearing DIN625-15x36,3x11		
3	0000 953 6610	3	Stud		
4	9630 951 1696	1	Oil seal 15x26x7		
5	4238 020 2614	1	Crankcase, fan side (2,3,6,7)	7, 8, 10, 11	23.2013
6	4238 020 2613	1	Crankcase, fan side (1,4,5,8)	7 - 9, 12	23.2013
7	0000 988 5211	1	Connector		
8	0000 988 8600	2	Sleeve		
9	9640 003 1570	1	Oil seal 15x24x7 (1,4,5,8)		
10	9640 003 1560	1	Oil seal 15x22x4 (2,3,6,7)		
11	9503 003 0360	1	Grooved ball bearing DIN625-15x36,3x11 (2,3,6,7)		
12	9503 003 0361	1	Grooved ball bearing DIN625-6202 (1,4,5,8)		
13	* 9503 003 0360	1	Grooved ball bearing DIN625-15x36,3x11 (1,4,5,8)		23.2013
14	4238 448 1200	1	Lead retainer (2,3,6,7)		
15	4238 030 0400	1	Crankshaft		25.2005
16	4238 029 0500	1	Gasket		
17	9022 371 1050	4	Spline screw IS-M5x25		
18	4238 141 5400	1	Hose		
19	4238 141 1800	1	Sleeve		
20	4238 660 0400	1	Belt tensioner		
21	4224 664 2100	1	Clamping lever		
22	4224 664 4200	1	Cover		
23	9075 478 4159	2	Pan head self-tapping screw IS-D5x24		
24	4238 007 1003	1	Set of gaskets (B) (1,4,5,8)	4, 9, 16	
25	4238 007 1600	1	Set of gaskets (B) (2,3,6,7)	4, 10, 16	

(1) TS 410, (2) TS 410-A, (3) TS 410-AZ, (4) TS 410-Z, (5) TS 420, (6) TS 420-A, (7) TS 420-AZ, (8) TS 420-Z

Cylinder, Muffler



(1) TS 410, (2) TS 410-A, (3) TS 410-AZ, (4) TS 410-Z, (5) TS 420, (6) TS 420-A, (7) TS 420-AZ, (8) TS 420-Z

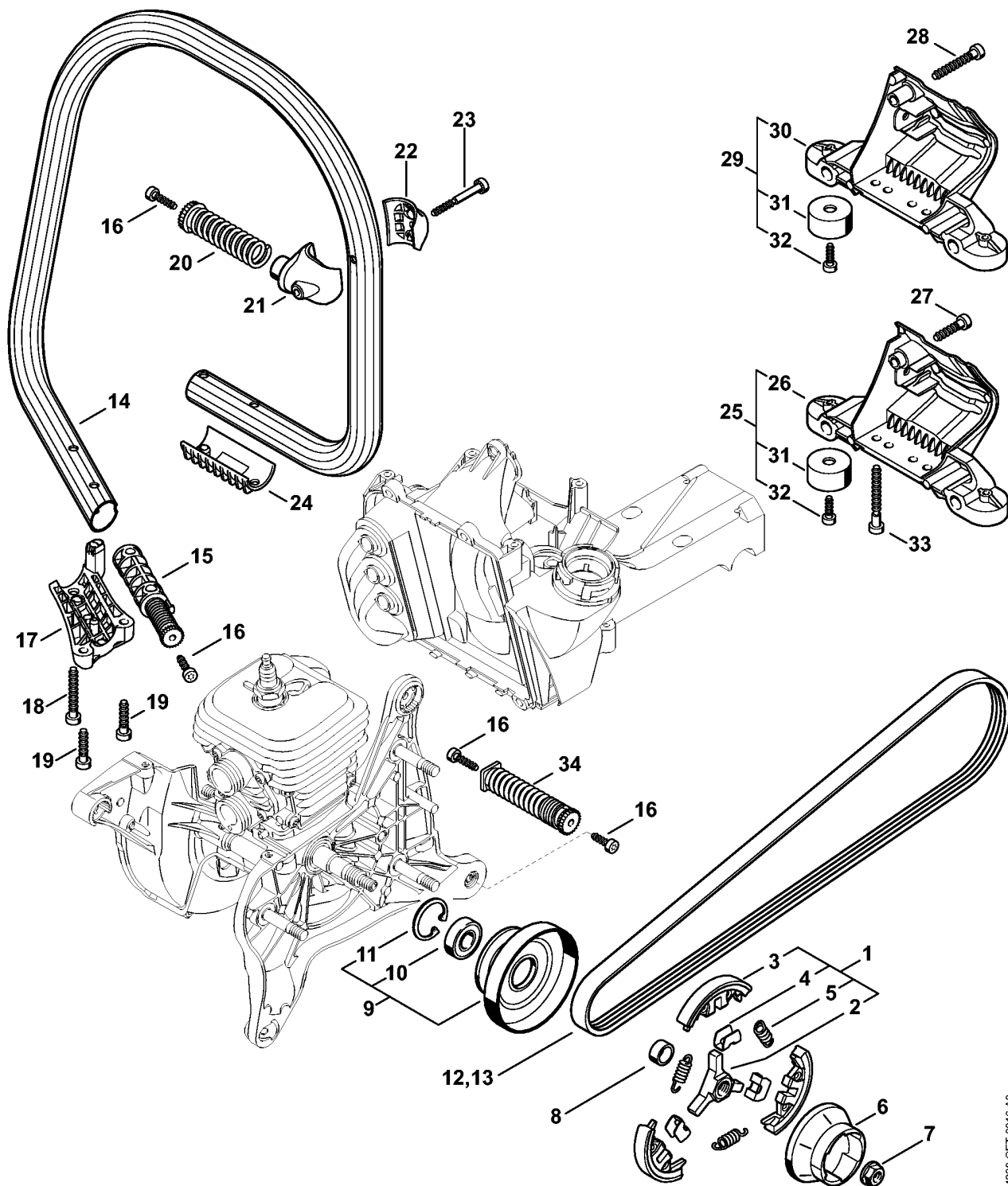
Cylinder, Muffler

Reference	Item number	Qty	Description	Contains	Technical Information
1	4238 020 1205	1	Cylinder with piston Ø 50 mm	3 - 6	
1	* 4238 020 1205	1	Cylinder with piston Ø 50 mm USA, CDN (4,8)	3 - 6	23.2013
2	4238 020 1204	1	Cylinder with piston Ø 50 mm USA, CDN (4,8)	3 - 6	
3	4238 030 2003	1	Piston Ø 50 mm	4 - 6	
4	1128 034 3000	2	Piston ring Ø 50x1.2 mm		
5	9463 650 1000	2	Snap ring 10		
6	4238 034 1500	1	Piston pin 10x6x32		
7	9512 003 2344	1	Needle cage 10x14x13		
8	4238 029 2300	1	Cylinder gasket		
9	9022 371 1073	4	Spline screw IS-M5x32		
10	4238 020 9400	1	Decompression valve (1,2,3,5,6,7)		
10	4238 020 9400	1	Decompression valve AUS, NZ (8)		
10	* 4238 020 9400	1	Decompression valve USA, CDN (4,8)		
11	1110 400 7005	1	Spark plug Bosch WSR 6 F		
11	0000 400 7000	1	Spark plug NGK BPMR7A		
12	4238 140 0610	1	Muffler (1,2,5,6)	14, 15, 19	
13	4238 140 0611	1	Muffler USDA Cert. I.D. 4238/01 USA, CDN, AUS, NZ (3,4,7,8)	14, 15, 17 - 19	
14	4238 149 0600	1	Muffler gasket		
15	9022 371 1020	2	Spline screw IS-M5x20		
16	9022 371 1020	1	Spline screw IS-M5x20		
17	4238 141 9000	1	Screen USA, CDN, AUS, NZ (3,4,7,8)		
18	9039 448 0656	1	Self-tapping screw M4x9.6 USA, CDN, AUS, NZ (3,4,7,8)		
19	0000 141 3200	1	Cooling plate		
20	4238 080 0900	1	Air guide shroud	21	
21	9991 003 5087	1	Sleeve 7.5x6.8		
22	9022 371 1020	2	Spline screw IS-M5x20		
23	4238 141 2203	1	Manifold		
24	4238 141 2202	1	Manifold		
25	9771 021 2536	2	Hose clamp 30x5		
26	4238 140 2200	1	Flange		
27	0000 141 8600	1	Impulse hose		
	4238 007 1003	1	Set of gaskets (B)	8, 14	

(1) TS 410, (2) TS 410-A, (3) TS 410-AZ, (4) TS 410-Z, (5) TS 420, (6) TS 420-A, (7) TS 420-AZ, (8) TS 420-Z

Cylinder, Muffler

Reference	Item number	Qty	Description	Contains	Technical Information
			(1,4,5,8)		
	4238 007 1600	1	Set of gaskets (B) (2,3,6,7)	8, 14	



4238-GET-0016-A0

(1) TS 410, (2) TS 410-A, (3) TS 410-AZ, (4) TS 410-Z, (5) TS 420, (6) TS 420-A, (7) TS 420-AZ, (8) TS 420-Z

Clutch, Handlebar

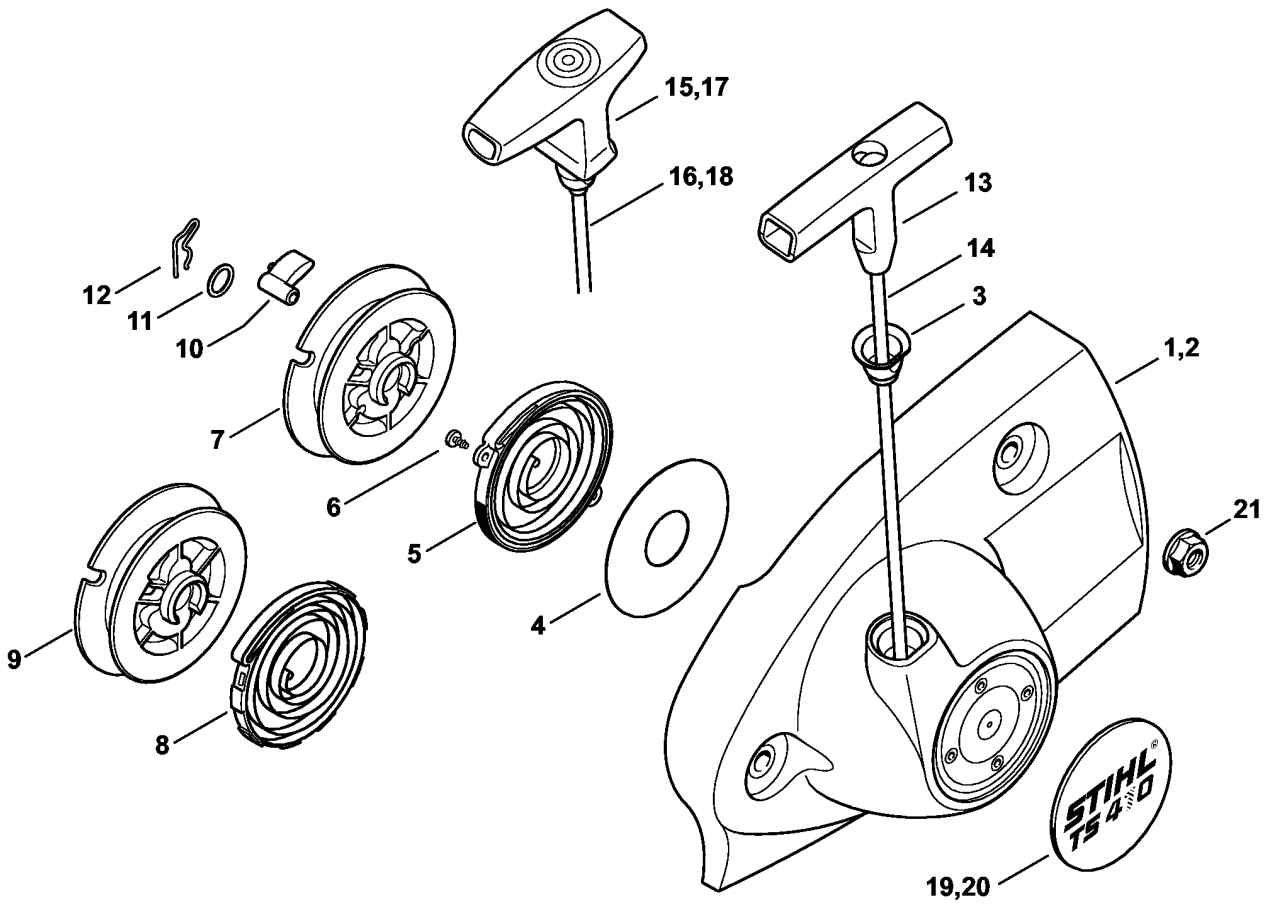
Reference	Item number	Qty	Description	Contains	Up to	Technical Information
1	4238 160 2002	1	Clutch	2 - 5		
2	1125 162 3202	1	Carrier			
3	1128 162 0806	3	Clutch shoe			
4	1128 162 3000	3	Retainer			
5	0000 997 5510	3	Tension spring			
6	4238 195 0600	1	Starter cup			
7	0000 955 0802	1	Collar nut M8x1			
8	0000 036 0200	1	Ring			
9	4238 760 8500	1	Poly V-belt pulley	10, 11		
10	9503 003 5136	1	Grooved ball bearing 6001-2RS			
11	9456 621 3100	1	Circlip 28x1.2			
12	9490 000 7901	1	multi-rib belt 5PJ 746LB (1,2,3,4)			
13	9490 000 7900	1	multi-rib belt 5PJ801LB (5,6,7,8)			
14	4238 791 1700	1	Handlebar			
15	4238 790 8301	1	AV-Spring			
16	9074 478 4425	4	Pan head self-tapping screw IS-P6x19			
17	4238 791 0910	1	Clamp			
18	9074 478 4705	1	Pan head self-tapping screw IS-P6x40			
19	9074 478 4143	2	Pan head self-tapping screw IS-P6x26			
20	4238 790 8302	1	AV-Spring			
21	4238 791 1900	1	Handlebar support			
22	4238 791 0900	1	Clamp			
23	9075 478 4190	1	Pan head self-tapping screw IS-D5x45			
24	4238 791 0905	1	Clamp			
25	4238 790 7605	1	Support	26, 31, 32		
26	4238 791 7605	1	Support			
27	9074 478 4143	1	Pan head self-tapping screw IS-P6x26			
28	* 9074 478 4705	1	Pan head self-tapping screw IS-P6x40		180659284	28.2016

(1) TS 410, (2) TS 410-A, (3) TS 410-AZ, (4) TS 410-Z, (5) TS 420, (6) TS 420-A, (7) TS 420-AZ, (8) TS 420-Z

Clutch, Handlebar

Reference	Item number	Qty	Description	Contains	Up to	Technical Information
29	* 4238 790 7600	1	Support	30 - 32	180659284	28.2016
30	* 4238 791 7601	1	Support		180659284	28.2016
31	4205 790 9300	2	Rubber buffer			
32	0000 951 1100	2	Screw IS-D5x20			
33	9074 478 4706	2	Pan head self-tapping screw IS-P6x50			
34	4238 790 8304	1	AV-Spring			

Rewind starter



370ET035 SC

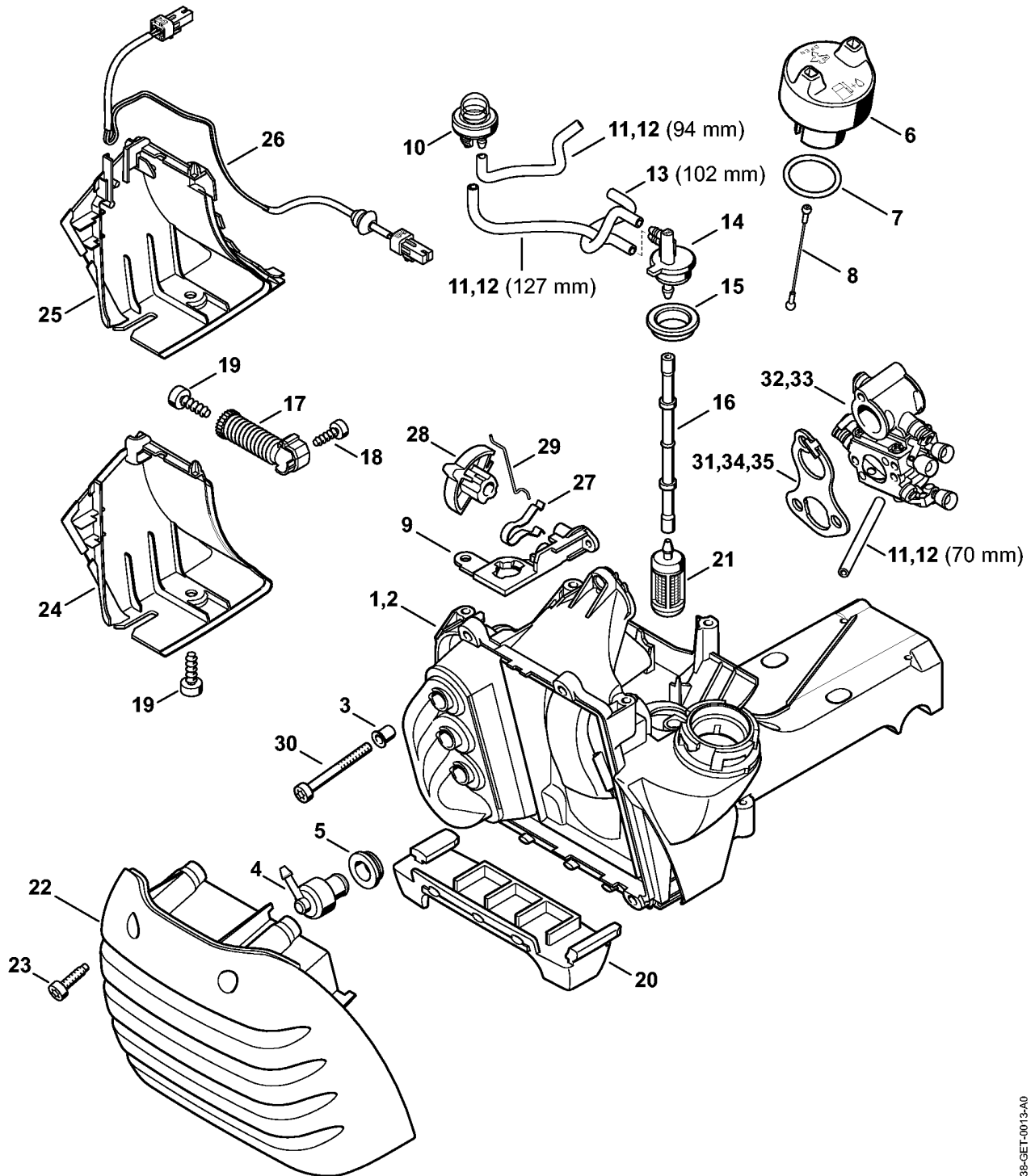
(1) TS 410, (2) TS 410-A, (3) TS 410-AZ, (4) TS 410-Z, (5) TS 420, (6) TS 420-A, (7) TS 420-AZ, (8) TS 420-Z

Rewind starter

Reference	Item number	Qty	Description	Contains	Technical Information
	4238 190 0302	1	Starter cover with rewind starter	1, 3 - 7, 10 - 14, 19, 20	
	4238 190 0303	1	Starter cover with rewind starter USA, CDN (4,8)	1, 3 - 7, 10 - 12, 15, 16, 19, 20	23.2013
1	4238 190 0404	1	Starter cover	3	
2	* 4238 190 0401	1	Starter cover (1,4,5,8)	3	21.2009
3	1110 084 9102	1	Bushing		
4	4238 195 9000	1	Washer		
5	4224 190 0600	1	Rewind spring		
6	9104 003 0410	2	Self-tapping screw P3x6		
7	4238 190 1001	1	Rope rotor		
8	* 4238 190 0601	1	Rewind spring (1,4,5,8)		21.2009
9	* 4223 190 1001	1	Rope rotor (1,4,5,8)		21.2009
10	0000 195 7200	1	Pawl		
11	0000 958 0923	1	Washer		
12	1118 195 3500	1	Spring		
	0000 190 3500	1	Grip with starter rope Ø 4 mm	13, 14	
13	1121 195 3400	1	Starter grip		
14		1	Starter rope Ø 4x995 mm (D)		
	0000 930 2297	1	Starter rope Ø 4 mm x 30 m (B)		
15	0000 190 3417	1	Starter grip ElastoStart Ø 4 mm USA, CDN (4,8)	16	
16	0000 190 2902	1	Starter rope Ø 4x970 mm USA, CDN (4,8)		
17	* 0000 190 3414	1	Starter grip ElastoStart Ø 4.5 mm (1,4,5,8)	18	21.2009
18	* 0000 190 2901	1	Starter rope Ø 4.5 mm (1,4,5,8)		21.2009
	* 0000 930 2295	1	Starter rope Ø 4.5mm / 28 pieces (B) (1,4,5,8)		21.2009
19	4238 967 1500	1	Model plate TS 410 (1,2,3,4)		
20	4238 967 1501	1	Model plate TS 420 (5,6,7,8)		
21	9220 260 1100	3	Hexagon nut M8		

(1) TS 410, (2) TS 410-A, (3) TS 410-AZ, (4) TS 410-Z, (5) TS 420, (6) TS 420-A, (7) TS 420-AZ, (8) TS 420-Z

Tank housing



4238-GET-0013-A0

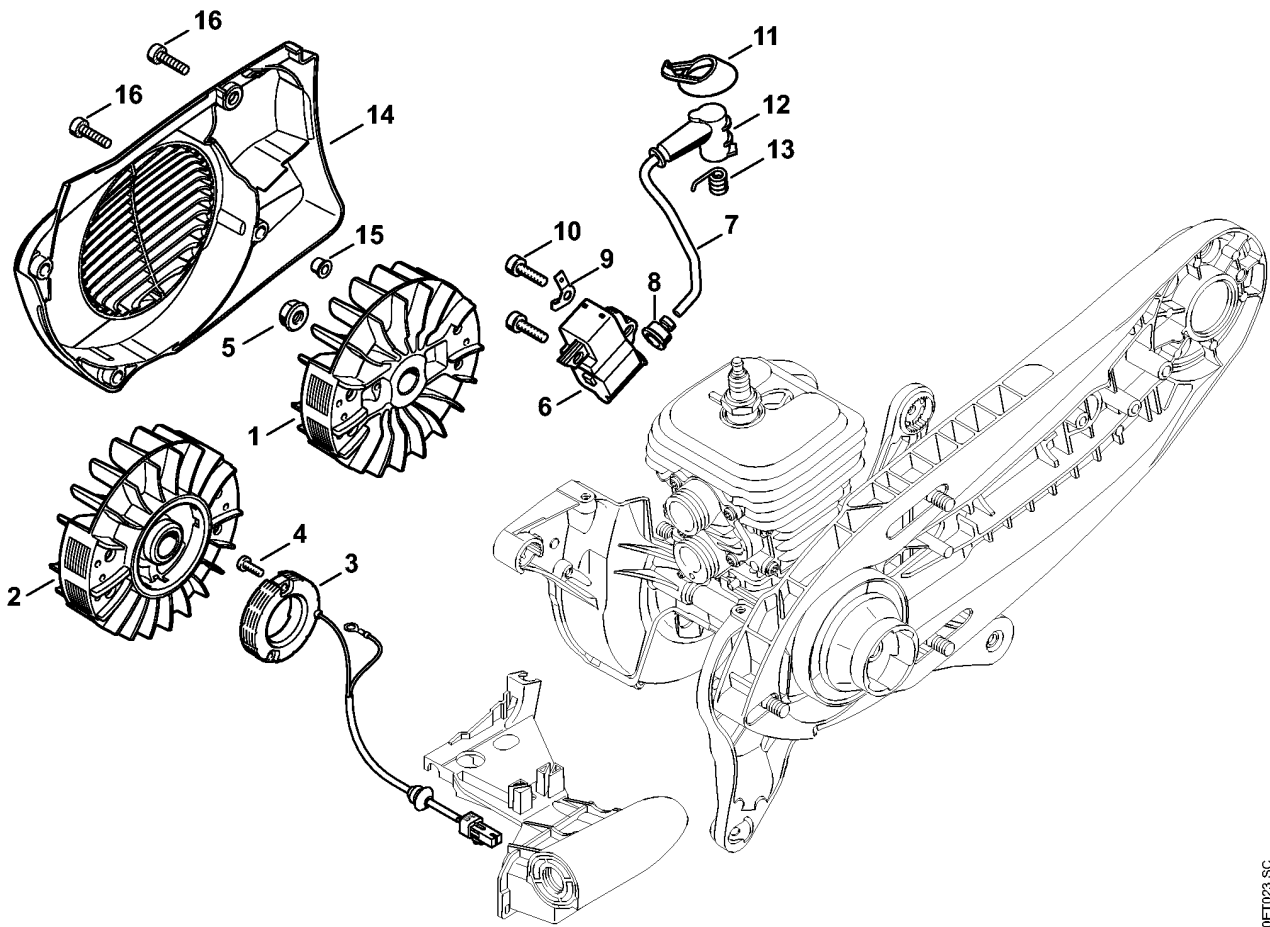
(1) TS 410, (2) TS 410-A, (3) TS 410-AZ, (4) TS 410-Z, (5) TS 420, (6) TS 420-A, (7) TS 420-AZ, (8) TS 420-Z

Tank housing

Reference	Item number	Qty	Description	Contains	Technical Information
1	4238 350 0853	1	Tank housing (2,3,6,7)	3 - 21, 25, 26	28.2016
2	4238 350 0854	1	Tank housing (1,4,5,8)	3 - 24	28.2016
3	9443 825 7131	3	Hollow rivet 7.5x1x9.1		
4	4238 350 5800	1	Tank vent		
5	4223 353 9201	1	Grommet		
6	0000 350 0514	1	Filler cap	7, 8	
7	9645 948 2471	1	O-ring 23x3		
8	0000 350 0905	1	Rope		
9	4238 352 8201	1	Clamp		
10	4238 350 6201	1	Fuel pump		
11	0000 930 2803	1	Hose 3.1x5.7 mm x 1 m, R3 (B)		
12	0712 923 8004	1	Hose 3.1x5.7 mm x 10 m, R3 (B)		
13	0000 937 5004	1	Hose 3.1x5.7 mm x 1 m, R5 (B)		
14	4238 353 2701	1	Connector		
15	4238 353 9200	1	Grommet		
16	4238 358 7700	1	Hose		
17	4238 790 8300	1	AV-Spring		
18	9074 477 4130	1	Pan head self-tapping screw IS-P5x16		
19	9074 478 4425	2	Pan head self-tapping screw IS-P6x19		
20	4238 354 0100	1	Support foot		
21	0000 350 3502	1	Pickup body		
22	4238 140 1000	1	Filter cover (1,4,5,8)		22.2009
23	0000 951 1109	4	Screw IS-M5x20 (1,4,5,8)		22.2009
24	4238 141 6300	1	Air baffle (1,4,5,8)		
25	4238 141 6301	1	Air baffle (2,3,6,7)		
26	4238 440 1101	1	Lead (2,3,6,7)		
27	4238 121 2400	1	Flat spring		
28	4238 121 6100	1	Choke lever		
29	4238 185 1500	1	Choke rod		
30	9022 341 1220	3	Spline screw IS-M5x48		
31	4238 129 0900	1	Gasket		
32	4238 120 0600	1	Carburetor C1Q-S118H		51.2012
33	4238 120 0601	1	Carburetor C1Q-S167B BR (5)		
34	4238 007 1003	1	Set of gaskets (B) (1,4,5,8)	31	
35	4238 007 1600	1	Set of gaskets (B) (2,3,6,7)	31	

(1) TS 410, (2) TS 410-A, (3) TS 410-AZ, (4) TS 410-Z, (5) TS 420, (6) TS 420-A, (7) TS 420-AZ, (8) TS 420-Z

Ignition system



370ET023 SC

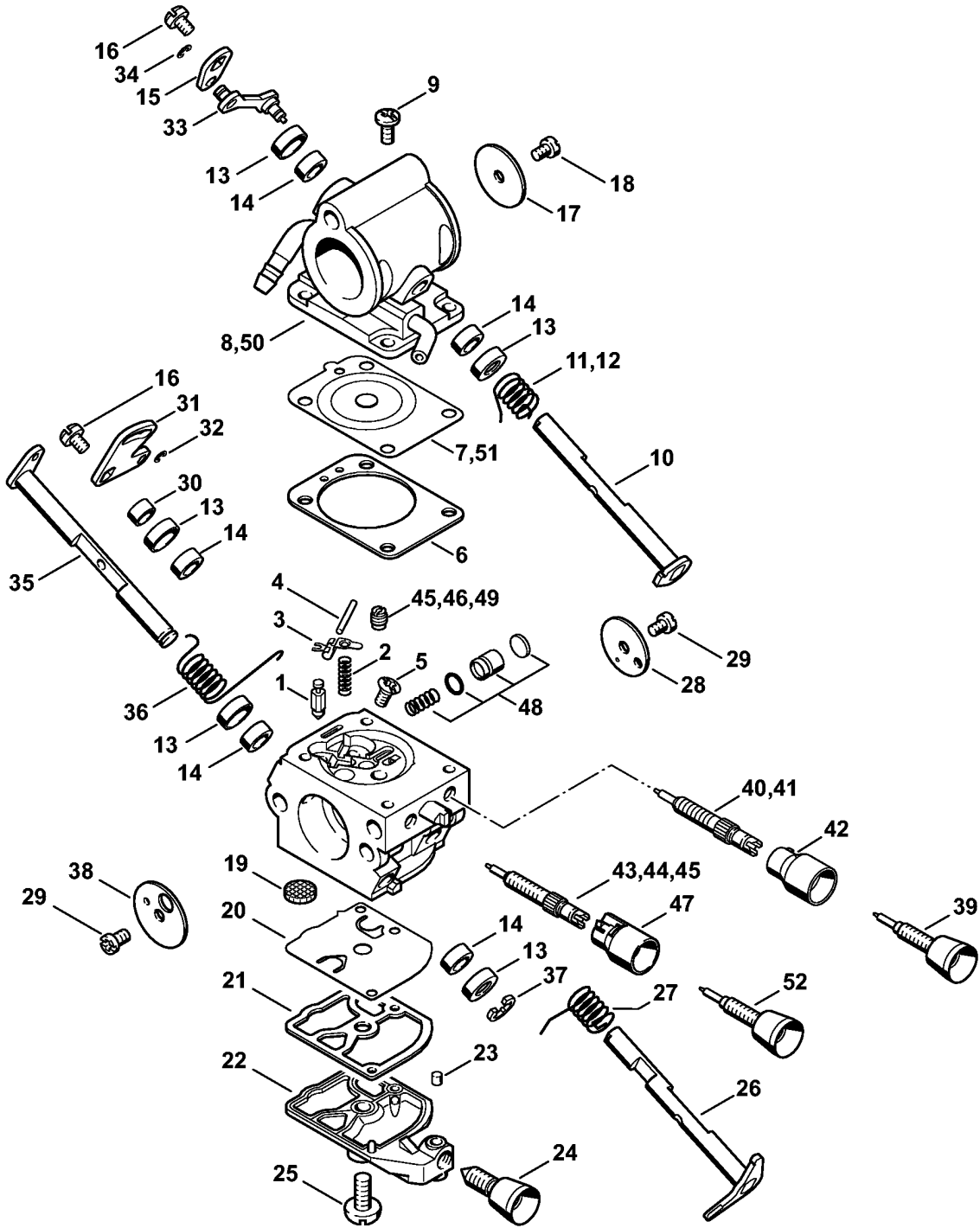
(1) TS 410, (2) TS 410-A, (3) TS 410-AZ, (4) TS 410-Z, (5) TS 420, (6) TS 420-A, (7) TS 420-AZ, (8) TS 420-Z

Ignition system

Reference	Item number	Qty	Description	Contains	Technical Information
1	4238 400 1202	1	Flywheel (1,4,5,8)		25.2005
2	4238 400 1201	1	Flywheel (2,3,6,7)		25.2005
3	4238 400 4000	1	Generator (2,3,6,7)		
4	9022 313 0658	3	Spline screw IS-M4x12 (2,3,6,7)		
5	0000 955 0802	1	Collar nut M8x1		
6	4238 400 1302	1	Ignition module	7, 8	
7		1	Ignition lead 275 mm (D)		
	0000 405 0600	1	Ignition lead 1 m (A,B)		
	0000 930 2251	1	Ignition lead 10 m (A,B)		
8	0000 989 1002	1	Grommet		
9	4238 431 2100	1	Connector tag		
10	9022 341 1019	2	Spline screw IS-M5x20		
11	4223 084 1600	1	Cover		
12	1128 405 1000	1	Spark plug boot		
13	0000 998 0604	1	Torsion spring		
14	4238 080 3102	1	Fan cover		
15	* 0000 963 0809	3	Bushing (1,4,5,8)		22.2009
16	9022 371 1020	4	Spline screw IS-M5x20		

(1) TS 410, (2) TS 410-A, (3) TS 410-AZ, (4) TS 410-Z, (5) TS 420, (6) TS 420-A, (7) TS 420-AZ, (8) TS 420-Z

Carburetor C1Q-S118, C1Q-167



370ET039 SC

(1) TS 410, (2) TS 410-A, (3) TS 410-AZ, (4) TS 410-Z, (5) TS 420, (6) TS 420-A, (7) TS 420-AZ, (8) TS 420-Z

Carburetor C1Q-S118, C1Q-167

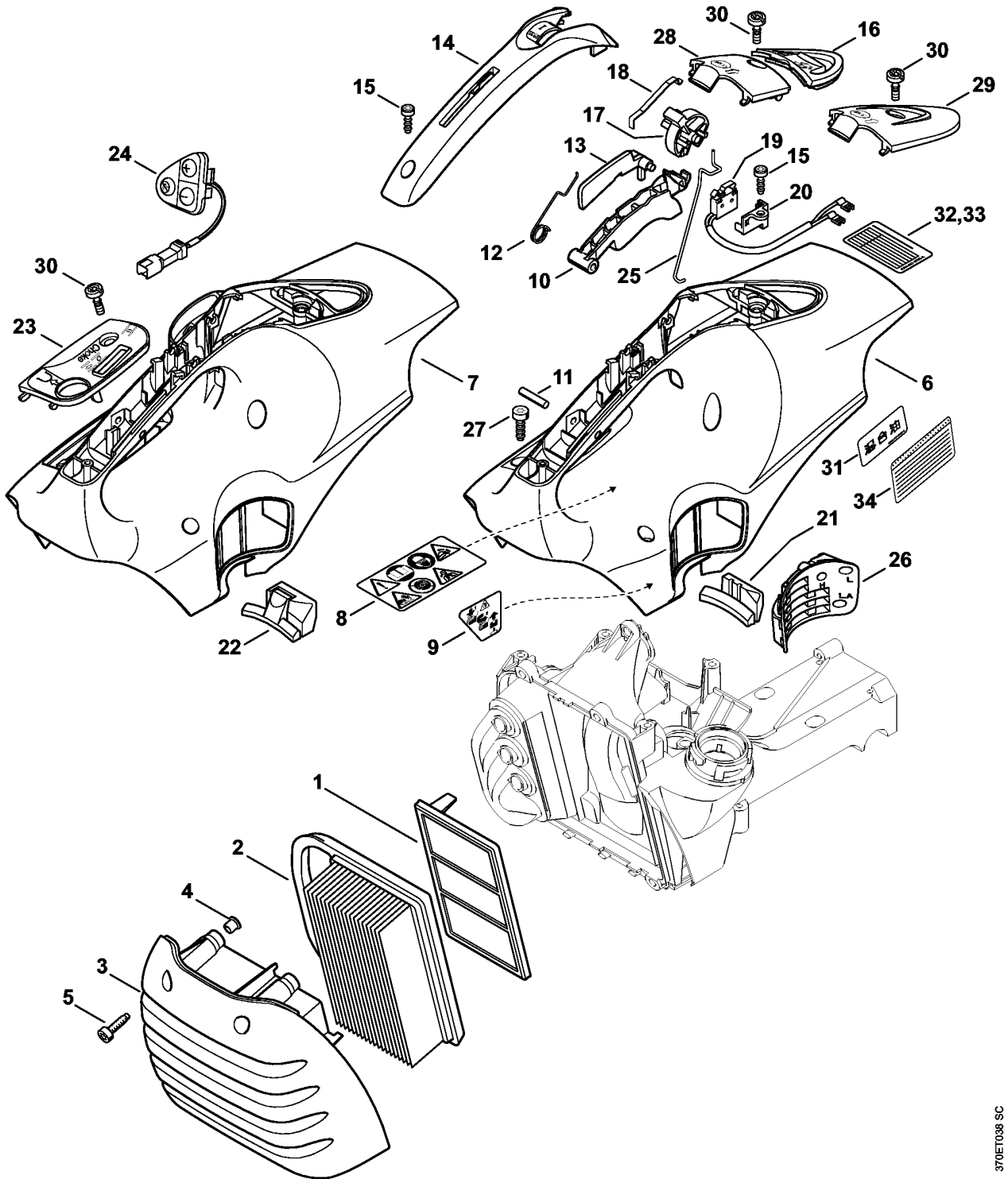
Reference	Item number	Qty	Description	Contains	Technical Information
	4238 120 0600	1	Carburetor C1Q-S118H	1 - 11, 13 - 38, 40, 42, 43, 46 - 48	51.2012
	4238 120 0601	1	Carburetor C1Q-S167B available in Brazil only (5)	1 - 6, 9 - 11, 13 - 39, 48 - 52	
1	4116 121 5100	1	Inlet needle		
2	1129 122 3001	1	Spring		
3	1125 121 5000	1	Inlet control lever		
4	1120 121 9200	1	Spindle		
5	1120 122 6600	1	Collar screw		
6	4238 129 0901	1	Gasket		
7	4238 121 4700	1	Metering diaphragm		
8	4238 120 0850	1	End cover	11	
9	1120 122 6601	4	Collar screw		
10	4238 120 7300	1	Air valve shaft with lever		
11	4238 122 3202	1	Torsion spring		
12	* 4238 122 3201	1	Torsion spring (1,4,5,8)		22.2009
13	4238 121 9400	5	Ring		
14	4238 122 3600	5	Sealing ring		
15	4238 121 6601	1	Lever		
16	1139 122 7101	2	Screw		
17	4180 121 3301	1	Throttle shutter		
18	1125 122 7402	1	Round head screw		
19	1123 121 7800	1	Strainer		
20	1129 121 4800	1	Pump diaphragm		
21	1123 129 0905	1	Gasket		
22	4134 121 0802	1	End cover		
23	1125 122 4200	1	Clamp		
24	4229 122 6200	1	Idle speed screw		
25	1120 122 7800	1	Oval head screw		
26	4238 120 7100	1	Throttle shaft with lever		
27	1123 122 3000	1	Spring		
28	4238 121 3300	1	Throttle shutter		
29	1125 122 7403	2	Round head screw		
30	4238 122 5000	1	Spacer sleeve		
31	4238 121 6600	1	Lever		
32	4238 122 9000	1	E-clip		
33	4238 124 2100	1	Rod		
34	1125 122 9003	1	E-clip		

(1) TS 410, (2) TS 410-A, (3) TS 410-AZ, (4) TS 410-Z, (5) TS 420, (6) TS 420-A, (7) TS 420-AZ, (8) TS 420-Z

Carburetor C1Q-S118, C1Q-167

Reference	Item number	Qty	Description	Contains	Technical Information
35	4238 120 7200	1	Choke shaft with lever		
36	4238 122 3200	1	Torsion spring		
37	1120 122 9000	1	E-clip		
38	4128 121 2900	1	Choke shutter		
39	4238 122 6800	1	Low speed screw BR (5)		51.2012
40	4238 120 6801	1	Low speed screw	42	
41	* 4238 120 6800	1	Low speed screw	42	51.2012
42	4144 121 2700	1	Cap		51.2012
43	4238 120 6700	1	High speed screw	47	
44	* 4238 122 6701	1	High speed screw		
45	* 4238 120 9800	1	High speed adjusting screw/fixing jet kit (1,4,5,8)	44, 46	22.2009
46	4238 121 5601	1	Fixed jet 0.70		
47	4229 121 2701	1	Cap		
48	4238 120 9700	1	Pump piston kit		
49	4238 121 5602	1	Fixed jet 0.76 BR (5)		
50	4238 121 0801	1	End cover BR (5)		
51	4238 121 4702	1	Metering diaphragm BR (5)		
52	* 4238 122 6702	1	High speed screw BR (5)		
	4238 007 1062	1	Set of carburetor parts BR (5)	6, 20, 21, 51	
	4238 007 1060	1	Set of carburetor parts	6, 7, 20, 21	

(1) TS 410, (2) TS 410-A, (3) TS 410-AZ, (4) TS 410-Z, (5) TS 420, (6) TS 420-A, (7) TS 420-AZ, (8) TS 420-Z



(1) TS 410, (2) TS 410-A, (3) TS 410-AZ, (4) TS 410-Z, (5) TS 420, (6) TS 420-A, (7) TS 420-AZ, (8) TS 420-Z

Air filter, Shroud

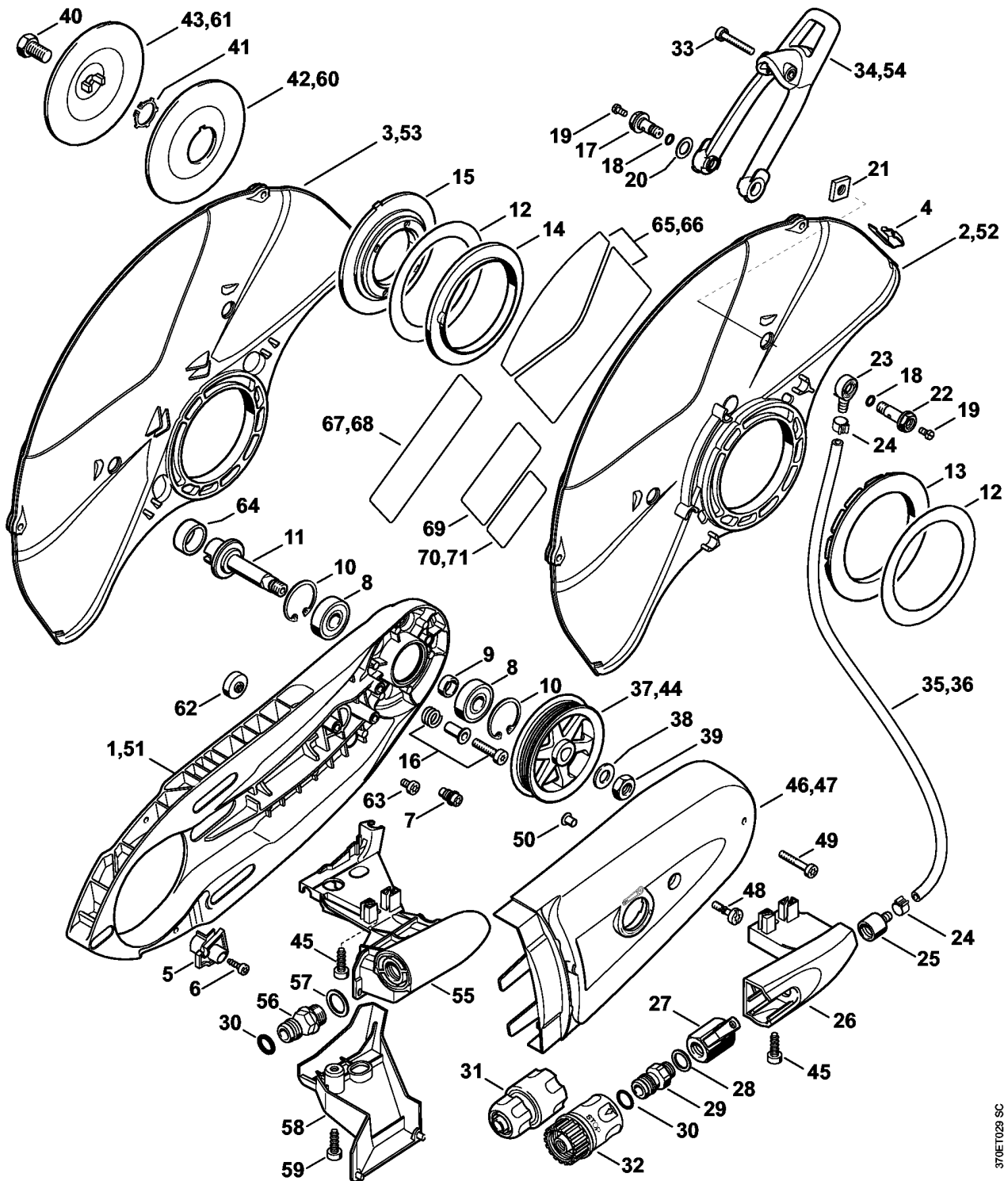
Reference	Item number	Qty	Description	Contains	Technical Information
	4238 140 4403	1	Air filter	1, 2	
	4238 140 4404	1	Air filter USA	1, 2	
1		1	Auxiliary filter (D)		
2		1	Air filter (D)		
3	4238 140 1000	1	Filter cover	4	
4	* 0000 963 0809	4	Bushing (1,4,5,8)		22.2009
5	0000 951 1109	4	Screw IS-M5x20		
	4238 080 1604	1	Shroud (2,3,6,7)	7 - 20, 22, 23, 30	
	4238 080 1609	1	Shroud (1,4,5,8)	6, 8 - 21	
	4238 080 1612	1	Shroud USA, CDN (4,8)	6, 8 - 15, 17 - 21, 34	
6	4238 080 1608	1	Shroud (1,4,5,8)	8, 9	
7	4238 080 1602	1	Shroud (2,3,6,7)	8, 9	
8	0000 967 3799	1	Warning pictogram TS		
9	0000 967 4000	1	Warning pictogram Filler cap		
10	4238 182 1000	1	Throttle trigger		
11	9371 470 2640	1	Cylindrical pin 5x24		
12	4238 182 4500	1	Torsion spring		
13	4238 182 0800	1	Lockout lever		
14	4238 791 0600	1	Handle molding		
15	9074 477 4130	2	Pan head self-tapping screw IS-P5x16		
16	4238 084 7400	1	Grommet		
17	4238 182 0900	1	Switch shaft		
18	4238 182 4700	1	Flat spring		
19	4238 430 0501	1	Switch		42.2013
20	4238 435 6001	1	Bracket		
21	4238 087 8302	1	Rubber buffer (1,4,5,8)		
22	4238 087 8301	1	Rubber buffer (2,3,6,7)		
23	4238 080 2201	1	Cap (2,3,6,7)	30	
24	4238 430 6500	1	Control panel (2,3,6,7)		
25	4238 182 1500	1	Throttle rod		
26	4238 123 7500	1	Grommet		
27	9074 478 4425	4	Pan head self-tapping screw IS-P6x19		
28	4238 080 2200	1	Cap	30	
29	4238 080 2202	1	Cap USA, CDN (4,8)	30	
30	9022 319 0981	1	Screw IS-M5x17		

(1) TS 410, (2) TS 410-A, (3) TS 410-AZ, (4) TS 410-Z, (5) TS 420, (6) TS 420-A, (7) TS 420-AZ, (8) TS 420-Z

Air filter, Shroud

Reference	Item number	Qty	Description	Contains	Technical Information
31	4223 967 3700	1	Instruction label J		
32	4238 967 3702	1	Instruction label J (1)		
33	4238 967 3703	1	Instruction label J (5)		
34	0000 967 4065	1	Warning Spark arresting screen USA (3,4,7,8)		

Connector, Guard



370ET029 SC

(1) TS 410, (2) TS 410-A, (3) TS 410-AZ, (4) TS 410-Z, (5) TS 420, (6) TS 420-A, (7) TS 420-AZ, (8) TS 420-Z

Connector, Guard

Reference	Item number	Qty	Description	Contains	Technical Information
1	4238 701 0203	1	Cast arm (1,2,3,4)		
2	4238 700 8105	1	Guard Ø 300 mm / 12" (1,2,3,4)	4	
3	* 4238 700 8102	1	Guard Ø 300 mm / 12" (1,4)	4	35.2009
4	4238 706 0400	2	Stiffener		
5	4238 691 0200	1	Limit stop		
6	9074 478 3025	1	Pan head self-tapping screw IS-P4x16		
7	4224 691 0100	1	Stop pin		
8	9503 003 6440	2	Grooved ball bearing 6201-2RS		
9	0000 961 1206	1	Ring		
10	9456 621 3600	2	Circlip 32x1.2		
11	4224 704 0502	1	Shaft		
12	4201 706 9202	2	Washer		
13	4224 706 8802	1	Rubber ring		
14	4224 706 8801	1	Rubber ring		
15	4205 706 2903	1	Flange		
16	4238 710 9500	4	Adjusting screw		
17	0000 670 0207	1	Banjo bolt	18, 19	
18	9645 948 0340	2	O-ring 6x1.5		
19	9041 216 0630	2	Pan head screw M4x8		
20	0000 679 2000	1	Gasket		
21	4224 708 8300	2	Square nut		
22	0000 670 0206	1	Banjo bolt	18, 19	
23	4238 677 8202	1	Connector		
24	9771 021 0921	2	Hose clip 10/7		
25	4238 677 8200	1	Connector (1,4,5,8)		
26	4238 708 8200	1	Bracket (1,4,5,8)		
27	4201 700 4500	1	Shut-off cock 1/4" (1,4,5,8)		
28	0000 954 1701	1	Sealing ring (1,4,5,8)		
29	4201 700 7300	1	Hose connector (1,4,5,8)	30	
30	9645 945 7506	1	O-ring 10x3		
31	4201 670 1700	1	Coupling sleeve 1/2"		
32	4201 670 1701	1	Coupling sleeve 3/4" USA, CDN (3,4,7,8)		
33	9022 341 1070	1	Spline screw IS-M5x30		
34	4238 700 2900	1	Adjusting lever (1,2,3,4)		
35		1	Hose 5.6x1.9x585 mm (D)		

(1) TS 410, (2) TS 410-A, (3) TS 410-AZ, (4) TS 410-Z, (5) TS 420, (6) TS 420-A, (7) TS 420-AZ, (8) TS 420-Z

Connector, Guard

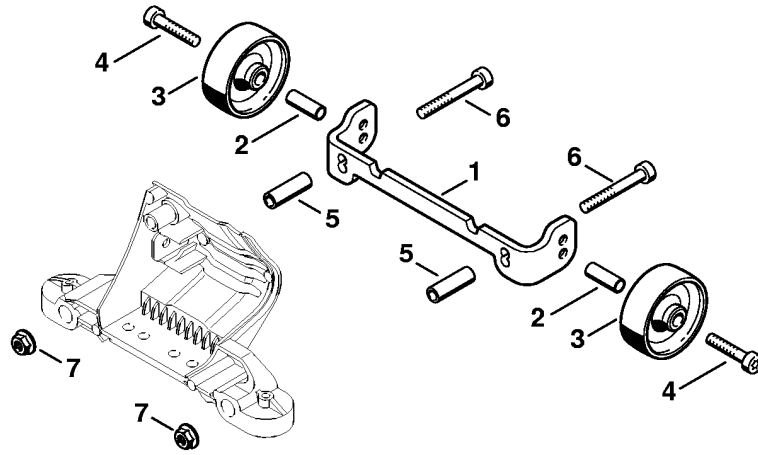
Reference	Item number	Qty	Description	Contains	Technical Information
			(1,4,5,8)		
36		1	Hose 5.6x1.9x527 mm (D) (2,3,6,7)		
	0000 937 4049	1	Hose 5.6x1.9 mm x 1 m (A,B)		
37	4238 764 8505	1	Poly V-belt pulley (1,2,3,4)		
38	9291 021 0200	1	Washer 10.5		
39	9211 260 1350	1	Hexagon nut M10x1 l/h thread		
40	4201 708 8402	1	Hexagon head screw M10x18		
41	9450 721 2150	1	E-clip 20x1.2		
42	4201 708 3004	1	Thrust washer Ø 103 mm		
43	4201 708 3014	1	Thrust washer Ø 103 mm		
44	4238 764 8504	1	Poly V-belt pulley (5,6,7,8)		
45	9074 478 4425	2	Pan head self-tapping screw IS-P6x19		
46	4238 700 8107	1	Guard (1,2,3,4)	48	
47	4238 700 8109	1	Guard (5,6,7,8)	48	
48		1	Screw (D)		
49	* 9022 341 1070	1	Spline screw IS-M5x30 (1,4,5,8)		35.2009
50	* 9443 825 7130	1	Hollow rivet 7.5x1x6.8 (1,4,5,8)		35.2009
51	4238 701 0202	1	Cast arm (5,6,7,8)		
52	4224 700 8108	1	Guard Ø 350 mm / 14" (5,6,7,8)	4	
53	* 4224 700 8102	1	Guard Ø 350 mm / 14" (5,8)	4	35.2009
54	4224 700 2901	1	Adjusting lever (5,6,7,8)		
55	4238 670 5200	1	Solenoid valve (2,3,6,7)	30, 56, 57	
56	4238 700 7300	1	Hose connector (2,3,6,7)	30, 57	
57	0000 894 3100	1	Sealing ring (2,3,6,7)		
58	4238 403 2200	1	Cover (2,3,6,7)		
59	9074 478 4425	1	Pan head self-tapping screw IS-P6x19 (2,3,6,7)		
60	4205 708 3000	1	Thrust washer Ø 118 mm AUS, J (5,8)		
61	4205 708 3010	1	Thrust washer Ø 118 mm AUS, J (5,8)		
62	* 4224 790 9300	1	Rubber buffer USA, CDN (4,8)		35.2009
63	* 9022 341 0910	1	Spline screw IS-M5x6 USA, CDN (4,8)		35.2009

(1) TS 410, (2) TS 410-A, (3) TS 410-AZ, (4) TS 410-Z, (5) TS 420, (6) TS 420-A, (7) TS 420-AZ, (8) TS 420-Z

Reference	Item number	Qty	Description	Contains	Technical Information
64	0000 708 4200	1	Shaft sleeve (B)		
65	0000 960 0100	1	Set of instruction labels USA (3,4)		
66	0000 960 0101	1	Set of instruction labels USA (7,8)		
67	0000 967 3903	1	Instruction label CDN (3,4,7,8)		
68	0000 967 7226	1	Warning pictogram Europe (1,2,5,6)		
69	4223 967 3701	1	Instruction label J (1,5)		
70	4238 967 3700	1	Instruction label J (1)		
71	4238 967 3701	1	Instruction label J (5)		

(1) TS 410, (2) TS 410-A, (3) TS 410-AZ, (4) TS 410-Z, (5) TS 420, (6) TS 420-A, (7) TS 420-AZ, (8) TS 420-Z

Wheel kit



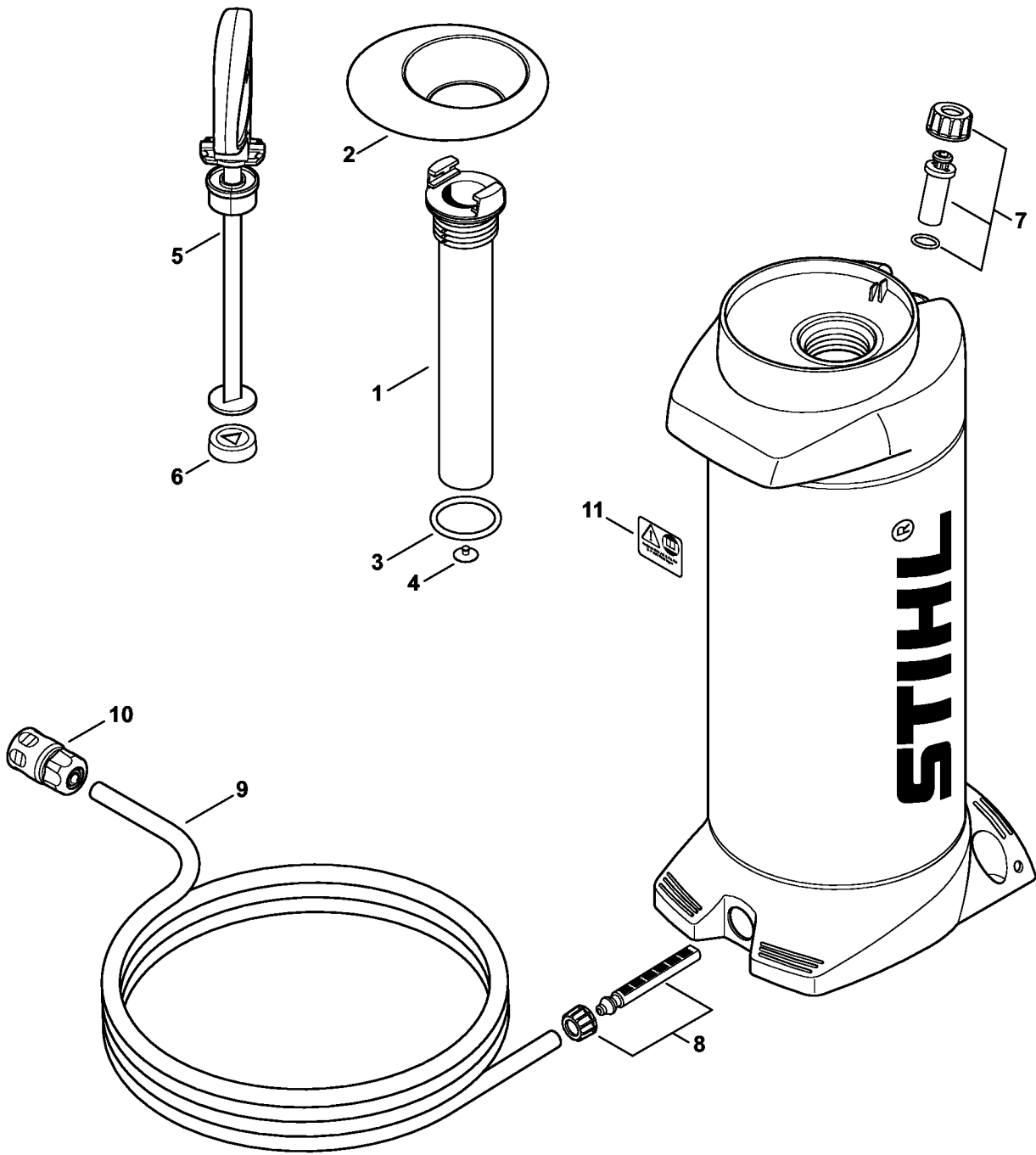
370E1009 SC

Wheel kit

Reference	Item number	Qty	Description	Contains
	4224 007 1014	1	Wheel mounting kit (B)	1 - 7
1		1	Carrier (B,D)	
2	4223 791 7200	2	Sleeve (B)	
3	4223 791 3600	2	Wheel (B)	
4	9007 319 1370	2	Hexagon head screw M6x30 (B)	
5	4224 791 7204	2	Sleeve (B)	
6	9007 319 1420	2	Hexagon head screw M6x45 (B)	
7	9210 260 1100	2	Hexagon nut M8 (B)	

(1) TS 410, (2) TS 410-A, (3) TS 410-AZ, (4) TS 410-Z, (5) TS 420, (6) TS 420-A, (7) TS 420-AZ, (8) TS 420-Z

Pressurized water tank



1307ET015 SC

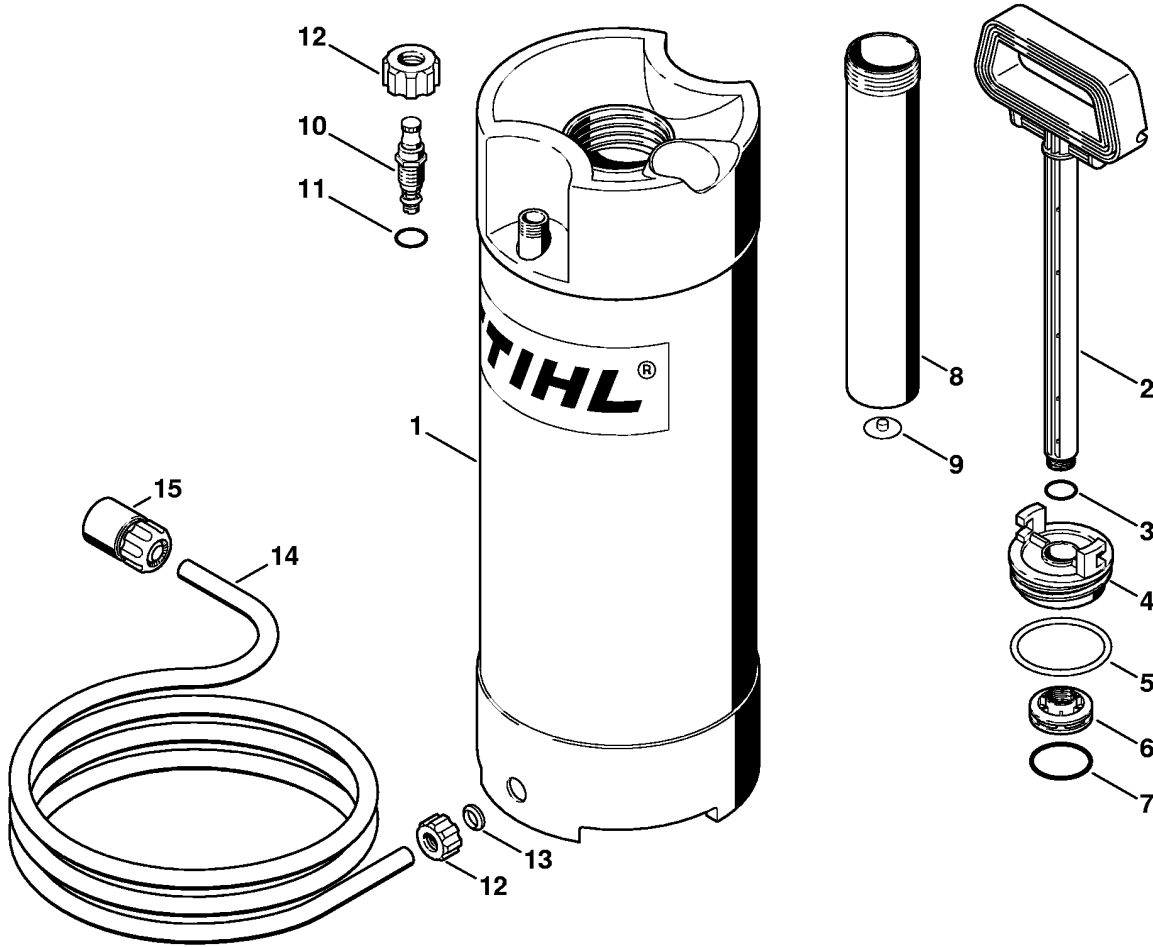
(1) TS 410, (2) TS 410-A, (3) TS 410-AZ, (4) TS 410-Z, (5) TS 420, (6) TS 420-A, (7) TS 420-AZ, (8) TS 420-Z

Pressurized water tank

Reference	Item number	Qty	Description	Contains
	0000 670 6000	1	Water tank (B)	1 - 11
1	0000 670 6600	1	Pump barrel (B)	2 - 4
2	0000 676 0500	1	Funnel (B)	
3		1	O-ring 46.99x5.33 (B,D)	
4		1	Valve (B,D)	
5	0000 670 7702	1	Handle (B)	6
6		1	Piston packing (D)	
7	0000 670 5000	1	Valve (B)	
	0000 670 0300	1	Hose (B)	8 - 10
8	0000 670 0400	1	Strainer (B)	
9	4309 678 1100	1	Hose 4 m / 158" (B)	
10	4201 670 1700	1	Coupling sleeve 1/2" (B)	
11	0000 967 7304	1	Warning pictogram (B)	
	0000 007 1601	1	Set of gaskets (B)	3, 4, 6

(1) TS 410, (2) TS 410-A, (3) TS 410-AZ, (4) TS 410-Z, (5) TS 420, (6) TS 420-A, (7) TS 420-AZ, (8) TS 420-Z

Pressurized water tank (28.2010)



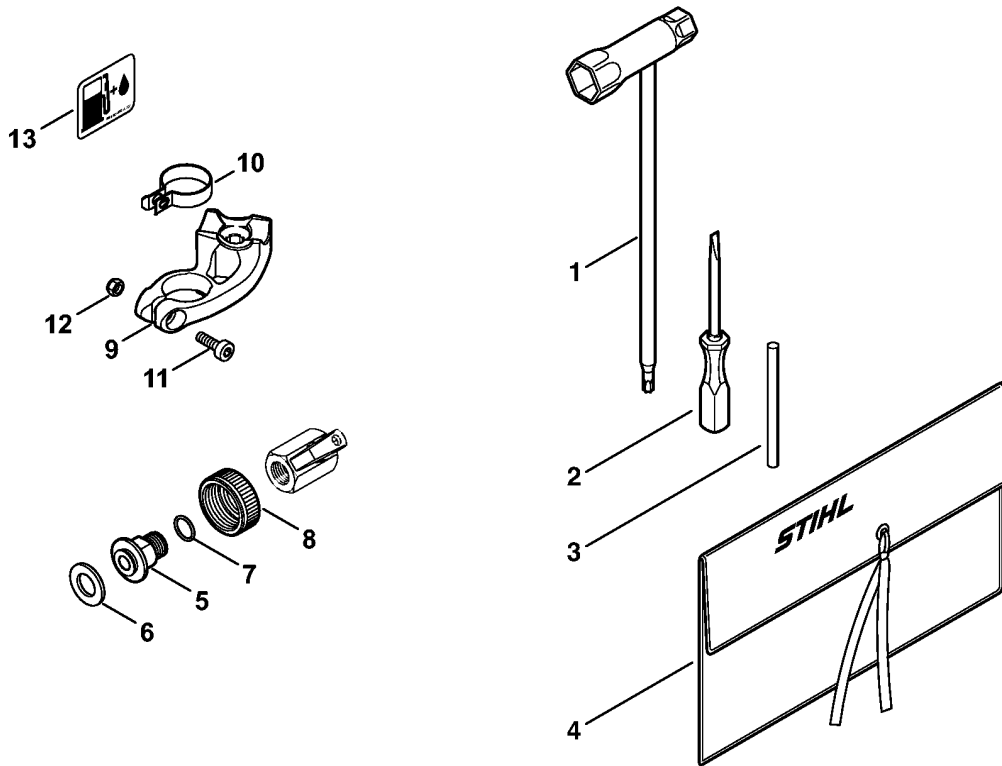
337ET021 GM

(1) TS 410, (2) TS 410-A, (3) TS 410-AZ, (4) TS 410-Z, (5) TS 420, (6) TS 420-A, (7) TS 420-AZ, (8) TS 420-Z

Pressurized water tank (28.2010)

Reference	Item number	Qty	Description	Contains	Technical Information
	* 4223 670 6000	1	Water tank (B,C)	1 - 14	28.2010
	* 4223 670 6001	1	Water tank (B,C) USA	1 - 15	28.2010
1	* 4223 670 6010	1	Water tank (B)	12, 13	28.2010
2	* 4223 670 7700	1	Handle (B)	3	28.2010
3	* 9645 945 7560	1	O-ring 14x1.78 (B)		28.2010
4	* 4223 670 8600	1	Filler cap (B)	5	28.2010
5	* 9645 945 8240	1	O-ring 56.5x 5.33 (B)		28.2010
6	* 4223 670 8200	1	Piston (B)	7	28.2010
7	* 9645 945 7958	1	O-ring 37.5x3.15 (B)		28.2010
8	* 4223 670 6600	1	Pump barrel (B)	9	28.2010
9	* 4223 678 2600	1	Valve (B)		28.2010
10	* 4223 670 5000	1	Valve (B)	11	28.2010
11	* 9645 945 7494	1	O-ring 8.76x1.78 (B)		28.2010
12	* 4223 677 8300	2	Union nut (B)		28.2010
13	* 4223 678 1600	1	Insert (B)		28.2010
14	* 4309 678 1100	1	Hose 4 m / 158" (B)		28.2010
15	* 4201 670 1700	1	Coupling sleeve 1/2" (B)		28.2010

(1) TS 410, (2) TS 410-A, (3) TS 410-AZ, (4) TS 410-Z, (5) TS 420, (6) TS 420-A, (7) TS 420-AZ, (8) TS 420-Z

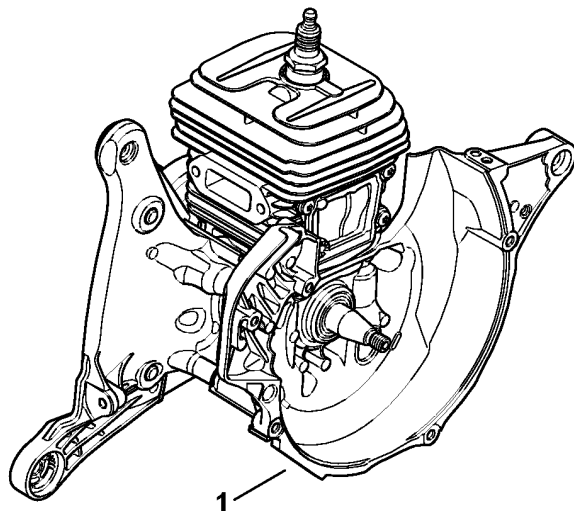


370ET017 GM

Tools, Extras

Reference	Item number	Qty	Description	Contains
1	4224 890 3400	1	Combination wrench	
2	5910 890 2305	1	Screwdriver	
3	4130 893 7800	1	Locking pin	
4	0000 891 0810	1	Tool roll	
	4238 670 3603	1	Water connection TS (B) USA (1,4,5,8)	5 - 13
5	4238 700 7301	1	Hose connector (B) USA (1,4,5,8)	6, 7
6	0000 679 2001	1	Gasket (B) USA (1,4,5,8)	
7	9646 945 1050	1	O-ring 11x1.5 (B) USA (1,4,5,8)	
8	4238 708 3100	1	Union nut (B) USA (1,4,5,8)	
9	4238 792 2501	1	Support (B) USA	
10	4238 791 9400	1	Hose clamp (B) USA	
11	9022 341 0980	1	Spline screw IS-M5x16 (B) USA	
12	9214 320 0700	1	Lock nut M5 (B) USA	
13	0000 967 4022	1	Instruction label (B) USA	

(1) TS 410, (2) TS 410-A, (3) TS 410-AZ, (4) TS 410-Z, (5) TS 420, (6) TS 420-A, (7) TS 420-AZ, (8) TS 420-Z

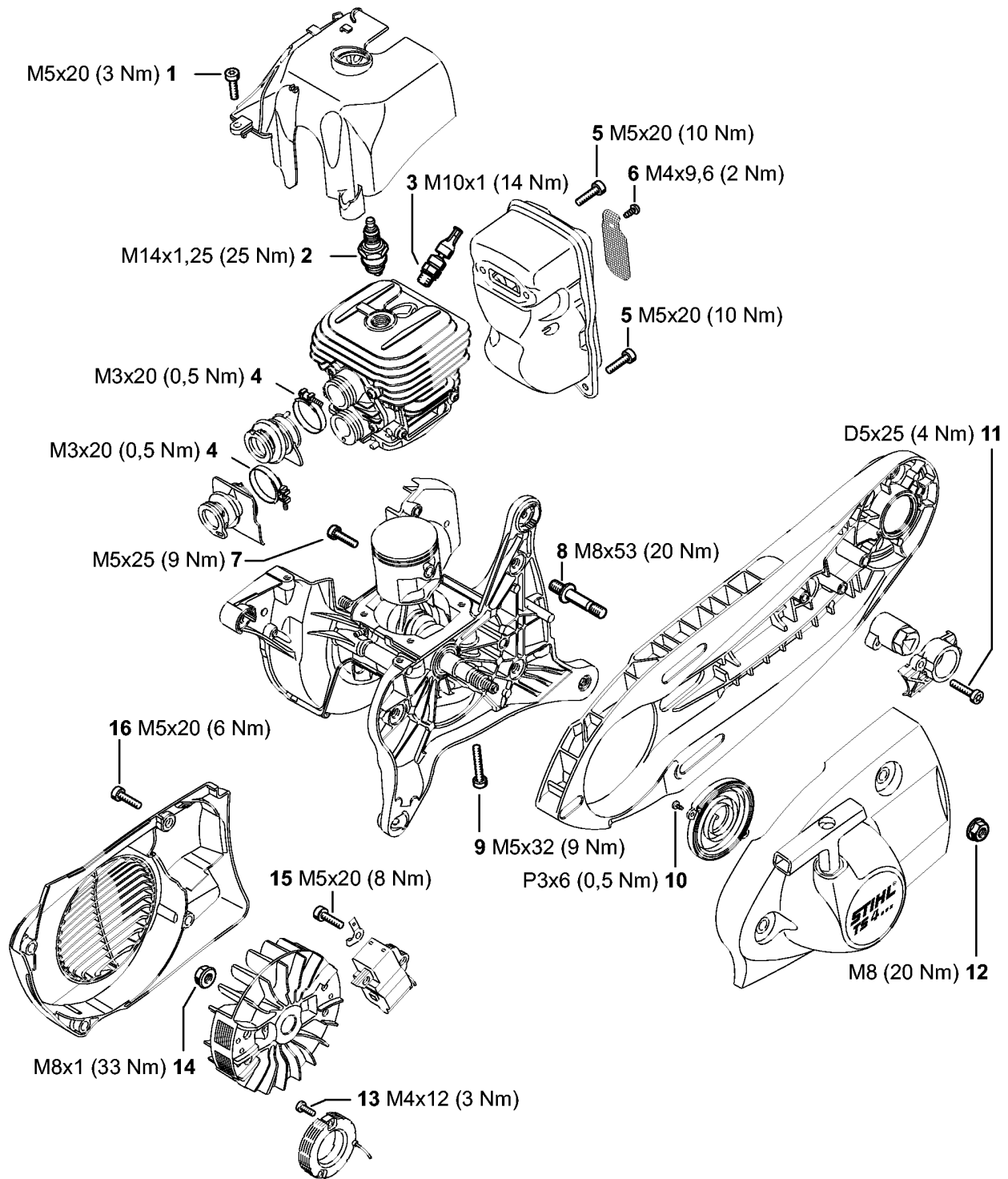


370ET032-SC

Serial number

Reference	Qty	Description
1	1	Position of serial number

Tightening torques



4238-GET-0017-A0

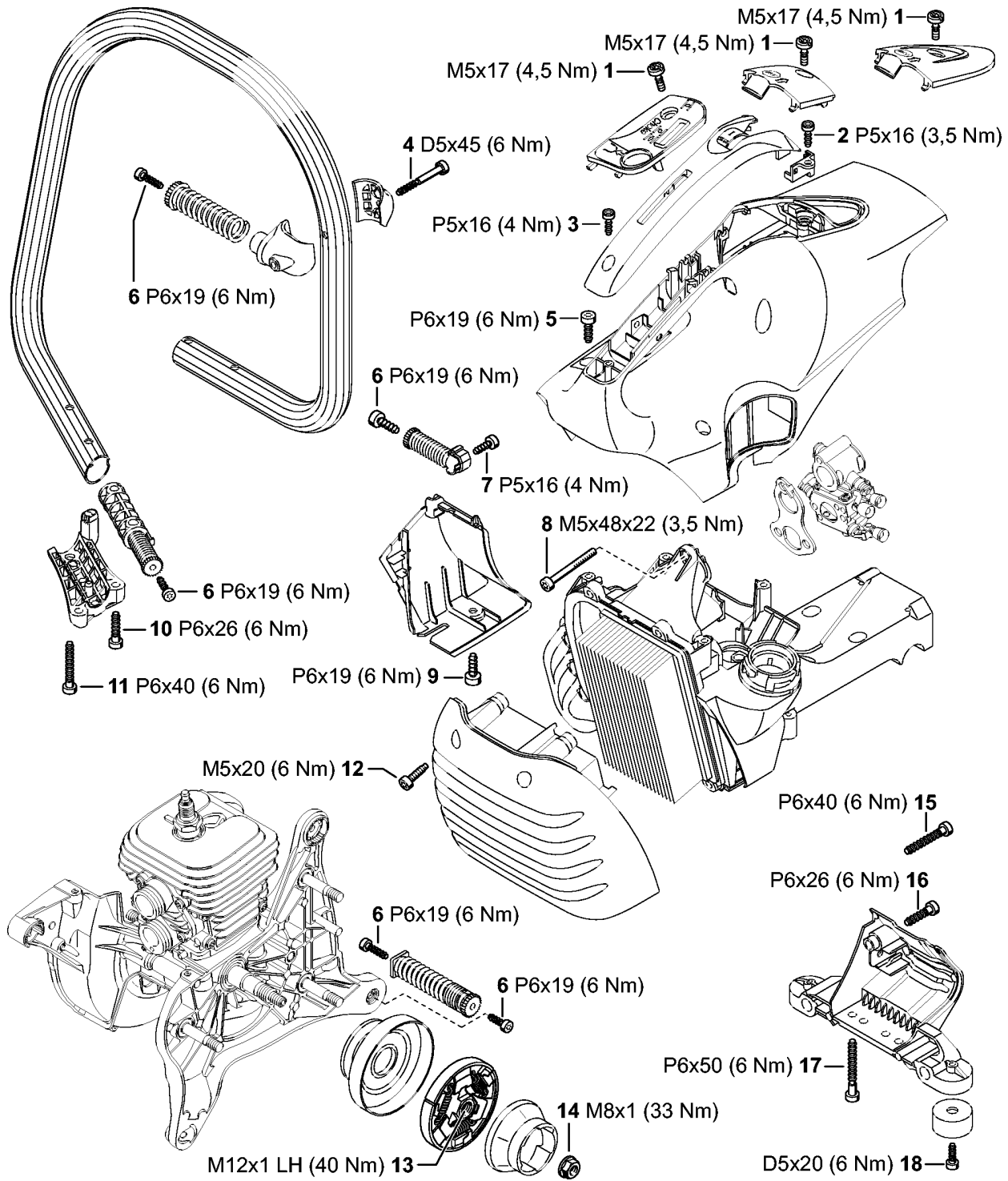
(1) TS 410, (2) TS 410-A, (3) TS 410-AZ, (4) TS 410-Z, (5) TS 420, (6) TS 420-A, (7) TS 420-AZ, (8) TS 420-Z

Tightening torques

Reference	Item number	Qty	Description
1	9022 371 1020	2	Spline screw IS-M5x20 Binding thread
2	1110 400 7005	1	Spark plug Bosch WSR 6 F
3	4238 020 9400	1	Decompression valve
4	9771 021 2536	2	Hose clamp 30x5
5	9022 371 1020	3	Spline screw IS-M5x20 Binding thread
6	9039 448 0656	1	Self-tapping screw M4x9.6
7	9022 371 1050	4	Spline screw IS-M5x25 Binding thread
8	0000 953 6610	3	Stud micro-encapsulated
9	9022 371 1073	4	Spline screw IS-M5x32 Binding thread
10	9104 003 0410	2	Self-tapping screw P3x6
11	9075 478 4159	2	Pan head self-tapping screw IS-D5x24 Binding thread
12	9220 260 1100	3	Hexagon nut M8
13	9022 313 0658	2	Spline screw IS-M4x12 micro-encapsulated (2,3,6,7)
14	0000 955 0802	1	Collar nut M8x1
15	9022 341 1019	2	Spline screw IS-M5x20 micro-encapsulated
16	9022 371 1020	4	Spline screw IS-M5x20 Binding thread

(1) TS 410, (2) TS 410-A, (3) TS 410-AZ, (4) TS 410-Z, (5) TS 420, (6) TS 420-A, (7) TS 420-AZ, (8) TS 420-Z

Tightening torques



423B-GET-0016-A0

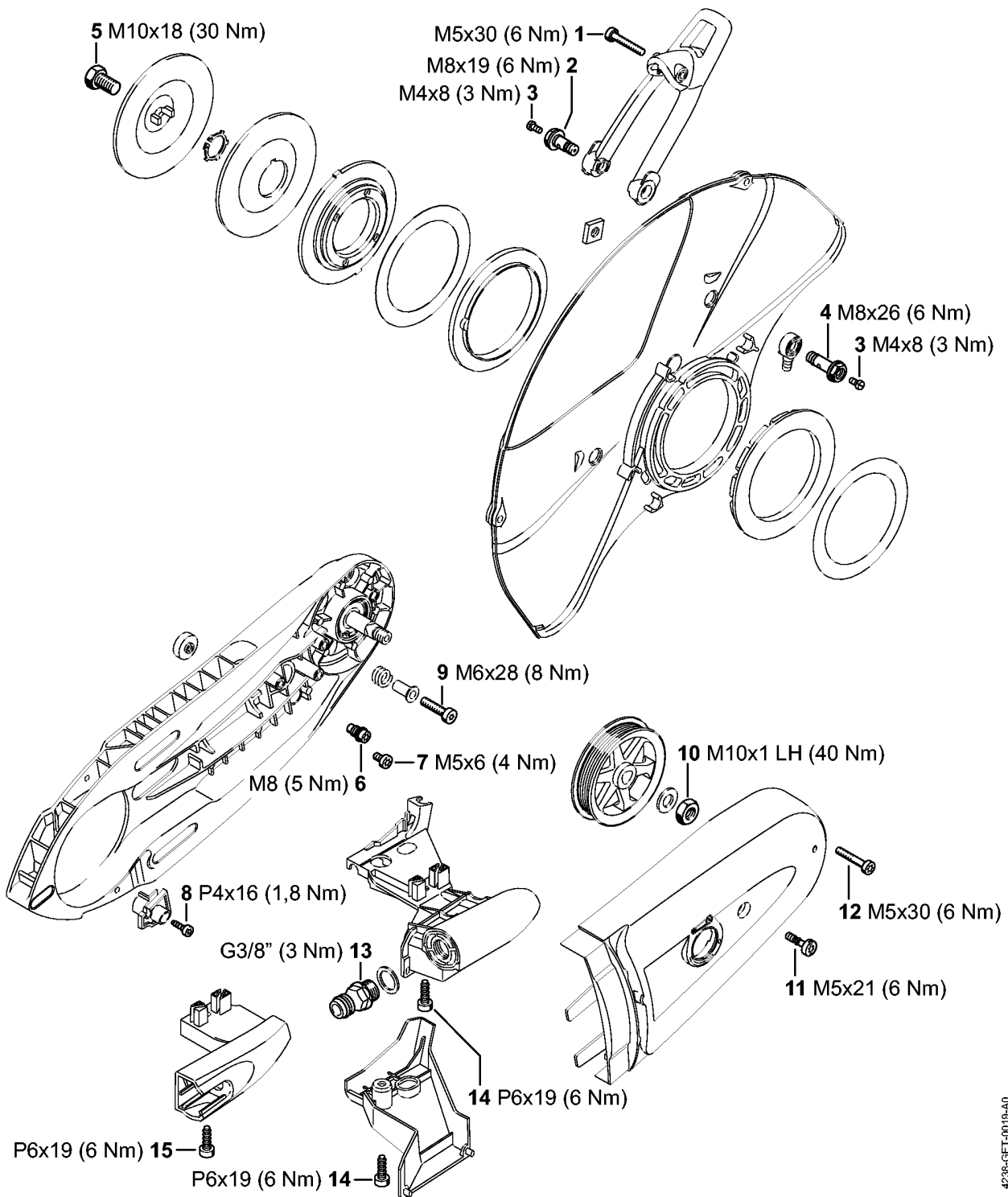
(1) TS 410, (2) TS 410-A, (3) TS 410-AZ, (4) TS 410-Z, (5) TS 420, (6) TS 420-A, (7) TS 420-AZ, (8) TS 420-Z

Tightening torques

Reference	Item number	Qty	Description
1	9022 319 0981	1	Screw IS-M5x17
2	9074 477 4130	1	Pan head self-tapping screw IS-P5x16
3	9074 477 4130	1	Pan head self-tapping screw IS-P5x16
4	9075 478 4190	1	Pan head self-tapping screw IS-D5x45 Binding thread
5	9074 478 4425	4	Pan head self-tapping screw IS-P6x19
6	9074 478 4425	5	Pan head self-tapping screw IS-P6x19
7	9074 477 4130	1	Pan head self-tapping screw IS-P5x16
8	9022 341 1220	3	Spline screw IS-M5x48 Binding thread
9	9074 478 4425	1	Pan head self-tapping screw IS-P6x19
10	9074 478 4143	2	Pan head self-tapping screw IS-P6x26
11	9074 478 4705	1	Pan head self-tapping screw IS-P6x40
12	0000 951 1109	4	Screw IS-M5x20 Binding thread
13	1125 162 3202	1	Carrier
14	0000 955 0802	1	Collar nut M8x1
15	* 9074 478 4705	1	Pan head self-tapping screw IS-P6x40
16	9074 478 4705	1	Pan head self-tapping screw IS-P6x40
17	9074 478 4706	2	Pan head self-tapping screw IS-P6x50
18	0000 951 1100	2	Screw IS-D5x20

(1) TS 410, (2) TS 410-A, (3) TS 410-AZ, (4) TS 410-Z, (5) TS 420, (6) TS 420-A, (7) TS 420-AZ, (8) TS 420-Z

Tightening torques



4238-GET-0019-A0

(1) TS 410, (2) TS 410-A, (3) TS 410-AZ, (4) TS 410-Z, (5) TS 420, (6) TS 420-A, (7) TS 420-AZ, (8) TS 420-Z

Tightening torques

Reference	Item number	Qty	Description
1	9022 341 1070	1	Spline screw IS-M5x30 Binding thread
2	0000 670 0201	1	Banjo bolt
3	9041 216 0630	2	Pan head screw M4x8
4	0000 670 0200	1	Banjo bolt
5	4201 708 8402	1	Hexagon head screw M10x18
6	4224 691 0100	1	Stop pin
7	* 9022 341 0910	1	Spline screw IS-M5x6
8	9074 478 3025	1	Pan head self-tapping screw IS-P4x16
9	4238 710 9500	4	Adjusting screw Binding thread
10	9211 260 1350	1	Hexagon nut M10x1 l/h thread
11	9022 319 1027	1	Screw IS-M5x21
12	* 9022 341 1070	1	Spline screw IS-M5x30
13	4238 700 7300	1	Hose connector
14	9074 478 4425	2	Pan head self-tapping screw IS-P6x19 (2,3,6,7)
15	9074 478 4425	2	Pan head self-tapping screw IS-P6x19 (1,4,5,8)

(1) TS 410, (2) TS 410-A, (3) TS 410-AZ, (4) TS 410-Z, (5) TS 420, (6) TS 420-A, (7) TS 420-AZ, (8) TS 420-Z