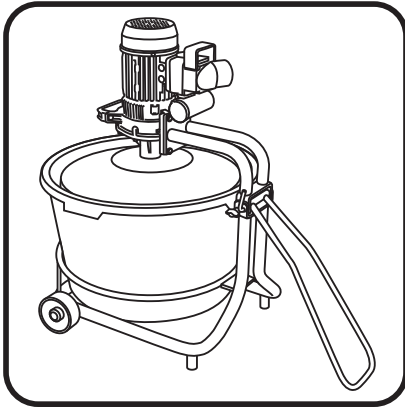




# TUBMIX 50







Ⓜ	Operators Manual	4
Ⓜ	Manuel De L'Opérateur	10
Ⓜ	Manual del Operador	16
Ⓜ	Bedienungshandbuch	22
Ⓜ	Manuale Dell'Operatore	28
Ⓜ	Руководство для оператора	34

- Spare Parts Book
- Pièces détachées
- Libro Despiece
- Ersatzteilhandbuch
- Manuale dei ricambi
- Запасные части Книга

40

<p align="center"><b>I</b></p>	<p align="center"><b>GB</b></p>	<p align="center"><b>RUS</b></p>	<p align="center"><b>D</b></p>
<p><b>DICHIARAZIONE CE DI CONFORMITÀ</b></p>	<p><b>EC DECLARATION OF CONFORMITY</b></p>	<p><b>ДЕКЛАРАЦИЯ СООТВЕТСТВИЯ</b></p>	<p><b>KONFORMITÄTSERKLÄRUNG</b></p>
<p>Il sottoscritto, rappresentante il seguente costruttore</p>	<p>The undersigned, representing the following manufacturer</p>	<p>Нижеподписавшийся представлятель следующего конструктора</p>	<p>Der Unterzeichner, der den nachstehenden Hersteller vertritt</p>
<p align="center"><b>BATTIPAV S.R.L.</b></p> <p align="center"><b>Z. i. 2 - Via Cavatorta, 6/1 - 48010 Cotignola (Ra) ITALY</b></p>			
<p>dichiara qui di seguito che la taglierina per ceramica, monocottura, marmo</p>	<p>herewith declares that the cutting machine for ceramic, single-firing ceramic, marble</p>	<p>нижеследующим заявляет, что миксер для клея для плиток, цемента, красок, эпоксидных смол.</p>	<p>erklärt hiermit, daß die Schneidmaschine für Keramikfliesen, einfach gebrannten Fliesen, Marmor</p>
<p><b>Mod. MIXER 50</b> 230V~50 Hz, 850W 60 min<sup>-1</sup> / IP 44 MOTOR CLASS F</p>	<p><b>Mod. MIXER 50 SUPER</b> 230V~50 Hz, 1200W S3 25% 60 min<sup>-1</sup> IP 44 MOTOR CLASS F</p>	<p><b>Mod. MIXER 50 SUPER</b> 230V~50 Hz, 1200W S3 25% 60 min<sup>-1</sup> IP 44 MOTOR CLASS F</p>	<p><b>Mod. MIXER 50 SUPER</b> 230V~50 Hz, 1200W S3 25% 60 min<sup>-1</sup> IP 44 MOTOR CLASS F</p>
<p>risulta in conformità a quanto previsto dalle seguenti direttive comunitarie: DIRETTIVA 2006/42/CE, DIRETTIVA 2006/95/CE, DIRETTIVA 2004/108/CE, DIRETTIVA 2002/96/CE.</p>	<p>is in conformity with the provisions of the following EC directives: 2006/42, 2006/95, 2004/108, 2002/96 and that the standards and/or technical specifications referenced have been applied.</p>	<p>соответствует положениям европейских директив: ДИРЕКТИВА 98/37/CE, ДИРЕКТИВА 89/336/CEE, ДИРЕКТИВА 93/68/CEE, ДИРЕКТИВА 92/31/CEE, ДИРЕКТИВА 73/23/CEE, ДИРЕКТИВА 2002/96/CEE.</p>	<p>in Übereinstimmung ist mit den Bestimmungen der nachstehenden EG-Richtlinien: EG RICHTLINIE 2006/42, EG RICHTLINIE 2006/95, EG RICHTLINIE 2004/108, EG RICHTLINIE 2002/96.</p>
<p>e/o specifiche tecniche indicate.</p>	<p>и что были применены все указанные нормы и/или технические требования.</p>	<p>и что были применены все указанные нормы и/или технические требования.</p>	<p>und daß die Normen und/oder technischen Spezifikationen, zur Anwendung gelangt sind.</p>
<p align="center"><b>CEI 107-55 (CENELEC HD 423.1.S1), ISO 3745.77, D.P.R. 27/04/55 N° 547, CIRC. 17/06/82 N° 76</b></p>			
<p>e autorizzo Zoli Alberto a costituire il fascicolo tecnico</p>	<p>Zoli and Alberto is authorized to compile the technical file</p>	<p>Золи и Альберто имеет право составить техническую документацию</p>	<p>Zoli ist berechtigt, die technischen Unterlagen zusammenzustellen</p>
<p>Data di costruzione</p>	<p>Date of manufacture</p>	<p>Дата выпуска</p>	<p>Produktionsdatum</p>
<p>N° di Serie:</p>	<p>Series N.</p>	<p>N° серии:</p>	<p>Seriennummer</p>
<p>Direttore Generale Claudio Tondini</p>	<p>General Manager Claudio Tondini</p>	<p>Генеральный директор Claudio Tondini</p>	<p>Der Generaldirektor Claudio Tondini</p>

<p align="center"><b>(E)</b></p> <p><b>DECLARACIÓN DE CONFORMIDAD CE</b></p>	<p align="center"><b>(F)</b></p> <p><b>DECLARATION CE DE CONFORMITE</b></p>	<p align="center"><b>(DK)</b></p> <p><b>EF OVERENSSTEMMELSEKRLÆRING</b></p>	<p align="center"><b>(P)</b></p> <p><b>DECLARAÇÃO CE DE CONFORMIDADE</b></p>
<p>El abajo firmante, en representación de</p>	<p>Le soussigné, représentant le constructeur ci-après</p>	<p>Undertegnede, der repræsenterer følgende fabrikant</p>	<p>O abaixo assinado, em representação do seguinte fabricante</p>
<p><b>BELLE GROUP</b> <b>Sheen, Nr.Buxton, Derbyshire, SK17 0EU, UK</b></p>			
<p>declara que la Mezclador universal con agitador helicoidal para adhesivos para azulejos, cemento, pinturas, barnices, resina epoxidicas</p>	<p>déclare par la présente que le mélangeur universel avec fouet pour adhésifs desinmes aux carrelages, ciment, vernis, résines epoxydes</p>	<p>erklærer hermed at universalsbløndemaskine med pumpehjul for Klæbemidler til, fliser, cement, lak og epoxyharpiks</p>	<p>pela presente declara que misturador universal com hélice para materiais adesivos para azulejos, cimento, tintas, resinas epoxi.</p>
<p><b>TUBMIX 50</b> 230V~50 Hz. 1200 W . 60 min<sup>-1</sup> / IP 44 MOTOR CLASS F</p>	<p>est conforme aux dispositions des directives CE suivantes: DIRECTIVE 98/37/CE, DIRECTIVE 89/336/CEE, DIRECTIVE 92/31/CEE, DIRECTIVE 93/68/CEE, DIRECTIVE 92/31/CEE, DIRECTIVE 73/23/CEE.</p>	<p>er i overensstemmelse med bestemmelserne i følgende EF direktiver: EF direktiv 98/37/CE; EF direktiv 89/336, EF direktiv 93/68/CEE; EF direktiv 92/31 samt EF direktiv 73/23. og at alle standarder og/eller tekniske specifikationer er blevet anvendt.</p>	<p><b>TUBMIX 50</b> 115V~50 Hz. 1200 W . 60 min<sup>-1</sup> / IP 44 MOTOR CLASS F</p> <p>está em conformidade com o estabelecido nas seguintes directivas comunitárias: DIRETTIVA 98/37/CE CEE; DIRETTIVA 89/336 CEE, DIRETTIVA 93/68/CEE; DIRETTIVA 92/31 CEE; DIRETTIVA 73/23 CEE. e que foram aplicadas as normas e/ou especificações técnicas referenciadas.</p>
<p><b>EN 292-1, EN 292-2, EN 60335-1, EN 55014, EN 60204-1, CEI 107-55 (CENELEC HD 423.1.S1), ISO 3745.77, D.P.R. 27/04/55 N° 547, CIRC. 17/06/82 N° 76</b></p>			
<p>Fecha de fabricación</p>	<p>N° de serie:</p>	<p>Date de fabrication</p>	<p>N° de série</p>
<p>Director General Belle Group Ray Neilson</p> 	<p>Directeur Général Belle Group Ray Neilson</p> 	<p>Dirrektør Belle Group Ray Neilson</p> 	<p>Diretor Geral Belle Group Ray Neilson</p> 

**Technical Data**

Power supply:	115V 50Hz.~	230V 50Hz.~
Max. absorbed power:	1200W	
Max. active power:	750W	
Capacitor (230V~50Hz.):	20 µF	
Capacitor (115V~50Hz.):	85 µF	
Weight:	25 Kg.	
Basket capacity:	50 Kg.	

**Allowed functioning:**

	S1
	continuous load
Rotation Speed:	55 min-1
IP Degree:	44

**Recommended Use:**

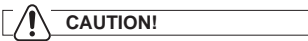
TILE ADHESIVES, CEMENT, PLASTER, PAINTS,  
VARNISH AND EPOXY RESINS



The noise level of the machines has been measured in compliance with standard ISO3745-77.

Lw	76,6 [dBW(A)]
Lw	62,7 [dB(A)]

**1. Use**



Before using the machine read the safety instruction chapter carefully. All machines have been thoroughly tested and checked before leaving our factory. BELLE works for a continuous development of the machines the company manufactures, therefore the company reserves the right to modify its models. No rights can be claimed as far as the data and the pictures of this manual are concerned.

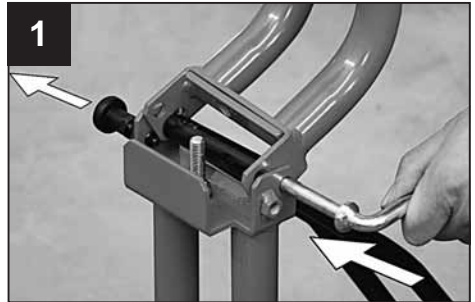
The TUBMIX is a mixing machine for tile adhesives, cement, plaster, paints, varnish and epoxy resins.

**2. Precautions**

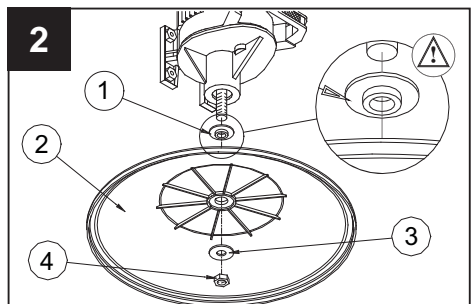
- The manufacturer declines any liability for the use of the TUBMIX with tools and materials other than the original ones and not indicated in the paragraph "RECOMMENDED USE".
- The TUBMIX is designed to work exclusively according to the admissible working conditions indicated.
- Never introduce foreign objects or tools into the tub during operation with the agitator in rotating.

**3. Installation**

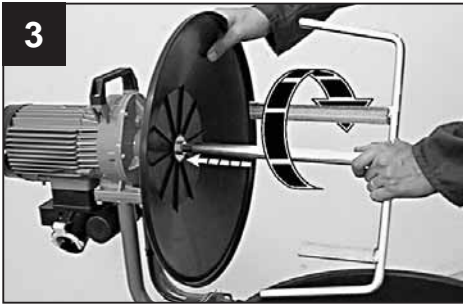
Assemble the top frame and the transporting handle as shown in Fig. 1. Insert the connecting pin fixing it with the safety clip, paying attention to the mechanical block.



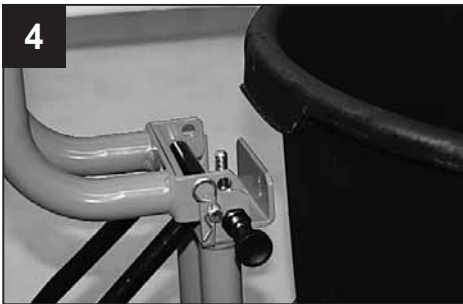
Insert all the different parts in the order shown in Fig. 2, then lock everything in place using the 22 mm hexagon spanner provided.



Screw the agitator tightly into the motor shaft.  
The full locking of this part will take place when the machine is in motion.



Insert the tub into the lower frame, making sure to insert one of the four transport handles in the metal tang provided.  
This will prevent the rotation of the basket during mixing.



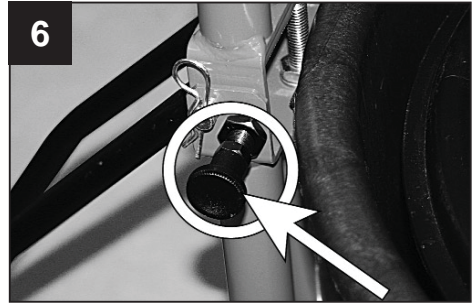
Insert the agitator by positioning it as shown in Fig. 5.  
Lower the motor head in working position.



**CAUTION!**

**MAKE SURE THE LOCKING DEVICE IS IN LOCKED POSITION WHEN THE MACHINE IS CLOSED (Fig. 6).**

At this point, the TUBMIX is ready for use.



#### 4. Basket Removing

Switch off the TUBMIX when the mixture is completed. The agitator must be positioned inside the basket as showed in Fig. 5

The TUBMIX has been designed to permit the opening of the motor head only when the agitator is in this position.

Keep with one hand release the locking device and with the other one lift the motor head as showed in Fig. 7.



**CAUTION!**

**The plastic protection shield must never be removed. This is a safety device prescribed by law to prevent accidents.**

**5. Transport**

The machine is easy to move. Lift the handle and move the machine on its wheels, as shown in Fig. 8.



**6. Connecting to power supply**

Make sure that the switch is turned off before inserting the plug.

The machine is to be connected to the power supply by a residual current circuit breaker (RCCB) or class II isolation transformer with the following characteristics:

	RCCB	Transformer
230V	In 10 A Id 20 mA	230 V 50 Hz 1500 W Cont. duty
115V	In 20 A Id 20 mA	115 V 50 Hz 1500 W Cont. duty

**N.B. To ensure correct functioning, periodically check the efficiency of the RCCBs by pressing the push-button on the front of the same.**

Prior to connecting the machine to the power supply, make sure that the voltage is the same as indicated on the machine data plate. The machine must be connected to an effective earth wire. In case of doubt, do not connect the machine.

**i INFORMATION**

Please be aware that when the mixing head and agitator are raised out of the mixing tub an automatic safety switch is engaged preventing the operation of the motor.

**THE MOTOR SHOULD ONLY BE RUN IN THE MIXING POSITION WITH THE AGITATOR POSITIONED WITHIN THE MIXING TUB.**

The TUBMIX are provided also with overheat protection with manual reset. This intervenes in the event of the agitator jamming. In the event of it jamming, before resetting the thermal protection, disconnect the machine from the mains electricity supply and empty the basket partially.



**7. Preparation of the Mixture**

Proceed as follows to prepare the mixture:

- Always start the machine only when it is empty.
- Proceed as follows or as directed for the type of material to be mixed.

**! CAUTION!**

**Adhesive for floor and wall tiles**

- A) Carefully read the instructions on the glue sack you are going to use.
- B) Pour in the tub the quantity of water necessary to prepare the desired adhesive quantity following the manufacturer's instructions.
- C) Start the TUBMIX 50, then tip the first 25 kg of powder at a speed of 10 kg/min directly on the plastic protection, which will centrifuge the material to obtain an appropriate mixture. Continue with this operation in a continuous and uniform manner with the second sack (25 kg) and wait for the whole product to be properly mixed. In this way the mixture will be free from lumps.

- If necessary, allow the adhesive to rest for 5-15 minutes and then mix it again for few minutes. The machine may be moved to the position where the adhesive is to be used.

**Cement**

- The mixing machine is suitable for preparing mortar and plaster containing lime, cement, gypsum and fine sized aggregates. It is not suitable for mixing concrete or mortar containing medium-large sized gravel or aggregates.
- For the preparation of mortar for plaster, proceed as for adhesive for floor and wall tiles.
- As the mortar is a highly hygroscopic preparation, in order to prevent excessive hardening of the compound, a great deal of attention must be paid to the addition of lime, cement, gypsum or aggregates when nearing the end of the mixing process.

**Epoxy resins**

- For mixing epoxy resin, check the viscosity and the density of the products to be prepared, so that the mixer motor is not overloaded.
- Pour into the tub the quantity of resin, hardener and any powders indicated by the product supplier.
- Mix carefully to prevent bubbles or lumps forming in the mixture.

**Paints**

- Pour the paint to be mixed into the mixer drum and add the necessary amount of water required for the solution.

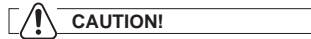


- ! **The use of chemical products or solvents may affect the properties of the tub, made of high density polyethylene PET.**
- ! **Check the compatibility of the products to be mixed with the properties of the machine before use.**

**8. Maintenance**

The machine's reduction unit is lubricated with semi-fluid type synthetic grease suited for the lubrication of enclosed gears in casings. When changing the grease, use only products with the characteristics listed below:

<b>NLGI Degree:</b>	<b>0</b>
<b>Dropping point: °C</b>	<b>115</b>
<b>Thickening agent</b>	<b>SODIUM SOAPS</b>



**To change the grease, contact your local dealer.**

**9. Disposal**

- In the event of the tub becoming worn or damaged, it must be disposed of in accordance with the methods laid down by current legislation.
- In the event of scrapping the complete machine, it must be disposed of in accordance with the methods laid down by current legislation.

**Electric Motor**

Aluminium	AL
Steel	AC
Copper	CU
Poiyamide	PA

**Machine's Framework**

Steel	AC
Poiyamide	PA

**Tub**

Polyethylene	PET
--------------	-----

**10. Troubleshooting**

**HAVE YOUR TOOL REPAIRED BY A QUALIFIED PERSON**

*This electric tool complies with the relevant safety rules. Repairs should only be carried out by qualified persons using original spare parts, otherwise this may result in considerable danger to the user.*

<b>Fault</b>	<b>Cause</b>	<b>Remedy</b>
The machine does not function.	The power supply cable is damaged or not properly connected.	Press the plug firmly into the power socket.
	No voltage in the socket.	Have the socket checked.
	The thermal protection has been activated.	Remove the power supply cable from the main socket and reset the thermal protection. In case this is not possible, wait a few minutes to allow it to cool.
	Internal emergency switch has been damaged.	Consult local dealer.
Machine is difficult to start.	Mixture too hard.	Remove part of the mixture from the basket, than try to start the machine.
	The agitator is encountering obstacles whilst rotating (stones or lumps).	Remove the stones which are too big or the lumps. Proceed as above indicated.
	Start capacitor is damaged.	Consult local dealer.
	Bearings or bushings of reduction gear are damaged.	Consult local dealer.
Unusual noise coming from the reduction gear.	Reduction gear damaged.	Switch off the machine immediately and contact your local dealer.



## **SAFETY INSTRUCTIONS**

**Warning!** When using electric tools, the following safety precautions should always be followed to reduce the risk of fire, electric shock and personal injuries. Read and follow all these instructions before attempting to operate this product and save them with care!

### **SAVE THESE INSTRUCTIONS WITH CARE.**

#### **Keep your work area perfectly clean**

- Cluttered areas invite injuries.

#### **Consider work area environment**

- Don't expose tools to rain.
- Don't use tools in damp or wet locations. Keep work area well lit.
- Don't use tools in presence of flammable liquids or gases.

#### **Guard against electric shocks**

- Prevent body contact with grounded surfaces.

#### **Keep children away!**

- Do not let third parties contact tool or extension cord. All visitors should be kept away from work area.

#### **Store your tools in a save place**

- When not in use, tools should be stored in dry and save places, out of the reach of children.

#### **Don't force tool**

- It will function better and in a safer way at the rate for which it was intended.

#### **Use the right tool**

- Don't use low duty tools or accessories to do the job of a heavy-duty tools. Don't use tools for purposes not intended.

#### **Dress properly**

- Rubber gloves and non-slip footwear are recommended when working outdoors. Wear protective hair covering to contain long hair. Use safety glasses.
- Use a mask if working operations are dusty.

#### **Don't abuse cord**

- Never carry tool by cord or yank it to disconnect it from socket.
- Keep cord from heat, oil and sharp edges.

#### **Avoid unsteady positions**

- Be sure to work in a safe and balanced position.

#### **Maintain tools with care**

- Keep tools sharp and clean for better and safer performance.
- Follow all maintenance advice and instructions to replace accessories subject to wear. Inspect tool cords periodically and, if damaged, have them repaired by an authorised expert. Check extension

cords periodically and replace them if damaged. Keep handles dry, clean and free from oil and grease.

#### **Disconnect tools**

- When not in use, before servicing, and when changing accessories subject to wear.

#### **Remove service keys from tool**

- Form the habit of checking to see that keys and adjusting wrenches are removed from tool before turning it on.

#### **Avoid unintentional starting**

- Be sure that the switch is off when plugging in the tool.

#### **Extension cords for outdoor works**

- When tool is used outdoors, use only extension cords intended for this particular use and so marked.

#### **Stay alert**

- Watch what you are doing. Use common sense. Do not operate tool when you are inattentive.

#### **Check tool for damaged parts**

- Before further use of the tool, check it and the safety devices for damages and be sure that they operate properly. Check for functioning and binding of moving parts, breakage of parts, correct mounting, and any other conditions that may affect the correct operation of the tool.
- Damaged safety devices or other parts should be properly repaired or replaced by an authorised Service Centre unless otherwise indicated elsewhere in this instruction manual.
- Have defective switches replaced by an authorised Service Centre.
- Do not use tool if its switch cannot be turned on or off.

#### **Warning**

- For your personal safety use only accessories recommended in this instruction manual or in the relevant catalogues. The use of any other accessory or attachment other than those recommended in this instruction manual or in the relevant catalogue may present a risk of personal injury.

#### **Have tools repaired by qualified personnel**

- This electric appliance is in accordance with the safety rules in force. Only qualified experts may carry out repairing of electric appliances otherwise carry out repairing of electric appliances otherwise it may cause considerable danger for the user.

## Caractéristiques techniques

Alimentation:	115V 50Hz.~	230V 50Hz.~
Puissance max. absorbée:	1200W	
Puissance max. exercée:	750W	
Condensateur (230V~50Hz.):	20 µF	
Condensateur (115V~50Hz.):	85 µF	
Masse en service:	25 Kg.	
Capacité Bol:	50 Kg.	

### Type de fonctionnement admis:

SERVICE 1  
Chargement continu

Vitesse de rotation:	55 min-1
Degré IP:	44

### Usage conseillé:

ADHESIFS DESTINES AUX CARRELAGES,  
CIMENT, VERNIS, RÉSINES ÉPOXYDES.



**ATTENTION!**

Le bruit émis par cette machine a été mesuré, selon la norme ISO3745-77.

Lw	76,6 [dBW(A)]
Lw	62,7 [dB(A)]

## 1. Utilisation



**ATTENTION!**

Avant d'utiliser cette machine, veuillez lire attentivement le chapitre concernant la sécurité. Toutes nos machines sont soumises à de nombreux essais et minutieusement contrôlées dans leurs moindres détails avant de quitter l'usine. BELLE oeuvre constamment à l'amélioration des ses machines; par conséquent, elle se réserve le droit d'y apporter des modifications. Il ne pourra donc être avancé aucun droit sur les informations et les illustrations figurant dans le présent manuel.

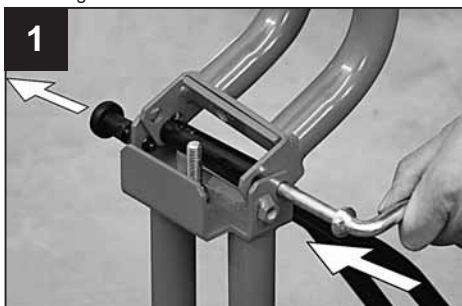
Le mélangeur TUBMIX est une machine pour mélanger les adhésifs destinés aux carrelages, le ciment, les vernis, les résines époxydes.

## 2. Précautions

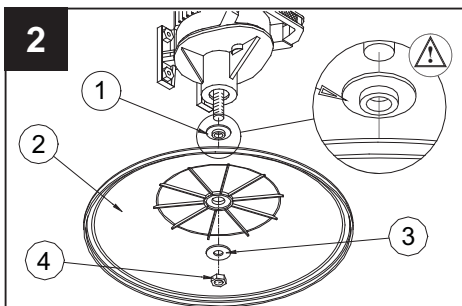
- Le fabricant décline toute responsabilité touchant l'utilisation du TUBMIX avec outils et matériaux non spécifiés au paragraphe "TYPES D'OUTILS CONSEILLÉS".
- La machine TUBMIX est fabriquée pour fonctionner exclusivement dans les conditions de fonctionnement admises indiquées.
- Pendant l'utilisation, lorsque le fouet est en rotation, ne pas introduire de corps étrangers ou d'outils dans le bol.

## 3. Installation

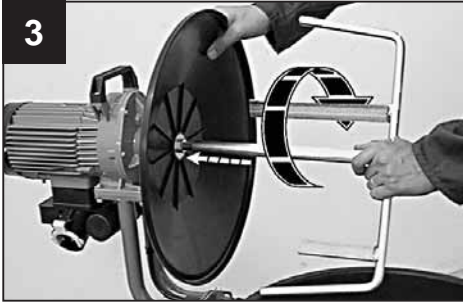
Disposer le châssis supérieur et le manche de transport comme indiqué sur la fig. 1. Introduire la broche de liaison en l'assurant avec le clips de sécurité, en faisant attention au mécanisme de blocage.



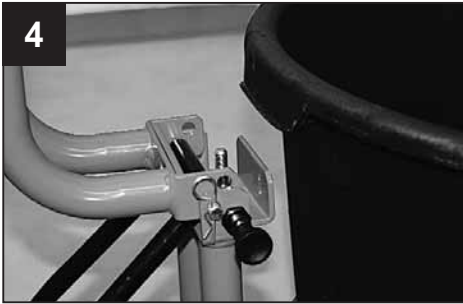
Introduire, en séquence, toutes les composantes comme indiqué sur la fig. 2 et bloquer l'ensemble en agissant sur l'écrou au moyen de la clé pour vis à six pans 22 mm fournie avec l'appareil.



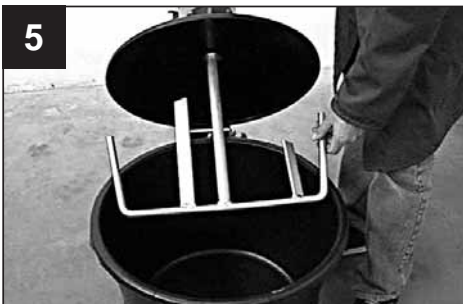
Visser à fond le fouet sur le corps moteur.  
Le blocage définitif se fera lors de la mise en marche de l'appareil.



Introduire le bol dans le châssis inférieur en veillant à loger l'une des quatre poignées de transport dans la languette métallique prévue à cet effet. De cette façon, on évitera la rotation du bol pendant le mélange du produit.



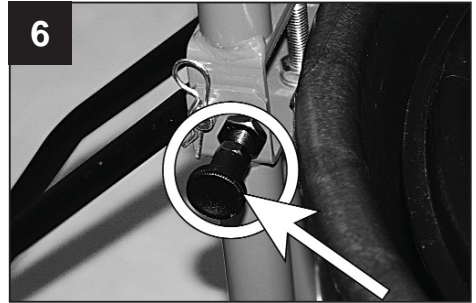
Insérer le fouet comme indiqué dans la figure 5.  
Abaisser la tête moteur en position de travail.



**ATTENTION!**

**AVEC LA MACHINE ARRÊTÉE, S'ASSURER QUE LE MÉCANISME DE BLOCAGE EST EN POSITION DE BLOCAGE (FIG. 6).**

Le TUBMIX est prêt pour être utilisé.



#### 4. Extraction du bol

Une fois le mélange terminé, arrêter la machine. Positionner le fouet à l'intérieur du bol de la façon indiquée sur la fig. 5.

Le TUBMIX est conçu pour permettre l'ouverture de la tête du moteur seulement si le fouet est dans cette position.

Avec une main, maintenir le mécanisme de blocage débloqué et, avec l'autre main, soulever la tête moteur comme indiqué sur la fig. 7.



**ATTENTION!**

**Il est absolument nécessaire que la protection en plastique n'est jamais enlevée de l'appareil, car elle protège les utilisateurs contre les éventuels accidents, conformément aux dispositions de la loi.**

# F

## 5. Transport

La machine est facilement transportable. Soulever la poignée et déplacer la machine à l'aide des roues, comme indiqué dans la figure 8.



## 6. Branchement

La machine doit être branchée sur le secteur au moyen d'un disjoncteur différentiel ou d'un transformateur d'isolation de classe II présentant les caractéristiques suivantes:

	<u>Différentiel</u>	<u>Transformateur</u>
230V	In 10 A Id 20 mA	230 V 50 Hz 1500 W Service continu
115V	In 20 A Id 20 mA	115 V 50 Hz 1500 W Service continu

**N.B. Pour bien utiliser les disjoncteurs différentiels, il est recommandé de contrôler périodiquement leur état de marche en agissant sur le bouton-poussoir prévu à cet effet sur la face de l'appareil.**

Dans tous les cas, avant de brancher la machine, assurez-vous que le voltage de la ligne correspond à celui indiqué sur la plaque de la machine. Ne raccordez la machine qu'à une ligne de mise à la terre efficace. En cas de doute, ne branchez pas la machine.



### INFORMATIONS

Quand la tête moteur est soulevée, un interrupteur de sécurité automatique empêche le fonctionnement du moteur.

**LE MOTEUR NE PEUT ÊTRE MIS EN MARCHÉ QU'AVEC LE FOUET EN POSITION DE TRAVAIL DANS LE BOL.**

Les TUBMIXs sont dotés d'une protection thermique à réarmement manuel. Celle-ci intervient en cas de blocage du fouet. En cas de blocage et avant de réarmer la protection, débrancher la machine et vider partiellement le bol.



## 7. Préparation de la pâte

Pour préparer la pâte procéder de la façon suivante:

- Démarrer l'appareil à vide.
- Sur la base du type d'ingrédient utilisé, procéder de la façon suivante:



**ATTENTION!**

### Colle pour carreaux de pavage et revêtements

- A) Lire attentivement le mode d'emploi figurant sur le sachet.
- B) Verser dans le bol toute l'eau nécessaire pour préparer la quantité de colle suivant les indications du fabricant.
- C) Mettre sous tension le TUBMIX 50, puis verser le premier sac de 25 kg de poudre à raison de 10 kg par minute, directement sur la protection en plastique, laquelle centrifugera la poudre en vue de la mélanger.  
Continuer cette opération de façon continue et uni forme avec le deuxième sac de 25 kg, puis attendre le mélange complet du produit déjà versé. De cette façon, on évite la formation de grumeaux.

- Si besoin est, faire reposer la colle de 5 à 15 minutes puis mélanger de nouveau pendant quelques minutes.

### Ciment

- Le mélangeur est adapté à la préparation de mortiers pour enduit composés de chaux, de ciment et d'éléments inertes à structure fine. Il n'est pas adapté au mélange de béton ou de mortier comprenant du gravier ou des matières inertes à structure moyenne ou grosse.
- Pour la préparation de mortier pour enduit, procéder comme au paragraphe précédent: Colle pour carreaux de pavage et revêtements.
- Le mortier est une préparation fortement hygroscopique: il convient faire grande attention à l'adjonction de chaux, de ciment ou de matières inertes à granulométrie fine dans le mélange de manière à prévenir un durcissement excessif du produit obtenu.

### Résine époxydes

- Pour le mélange de résines époxydes, vérifier la viscosité et le poids spécifique des produits à préparer de manière à ne pas surcharger le groupe moteur du mélangeur.
- Verser dans le bol les quantités de résines, de durcisseur et, éventuellement, de poudres indiquées par le fabricant des produits.
- Mélanger avec précaution de manière à empêcher la formation de bulles d'air ou de grumeaux dans la préparation.

### Vernis

- Verser le vernis à mélanger dans le bol du mélangeur et ajouter la quantité nécessaire d'eau utile à la solution.



**ATTENTION!**

- ! **L'utilisation de produits chimiques ou de solvants pourrait altérer les caractéristiques du bol, réalisé en polyuréthane haute densité PET.**
- ! **Avant l'utilisation, vérifier la compatibilité des produits à mélanger avec les caractéristiques de la machine.**

## 8. Mises en garde concernant l'entretien

Le réducteur de l'appareil est lubrifié au moyen de graisse synthétique de type semi-fluide conçue pour la lubrification d'engrenages en carter.  
En cas de remplacement, utiliser un produit ayant des caractéristiques semblables:

**Degré NLGI:** 0  
**Point de goutte: °C** 115  
**Agent épiât** SAVONS DE SODIUM



**ATTENTION!**

**En cas de remplacement, adressez-vous à votre revendeur habituel.**

## 9. Disposal

- En cas de détérioration du bol de la machine, celui-ci sera mis au rebut selon les méthodes indiquées par les législations en vigueur.
- En cas de bris de la machine tout entière, celle-ci sera mise au rebut conformément aux méthodes indiquées par la législation en vigueur.

### Moteur électrique

Aluminium	AL
Acier	AC
Cuivre	CU
Polyamide	PA

### Châssis de la machine

Acier	AC
Polyamide	PA

### Bol

Polyéthylène	PET
--------------	-----

## 10. Recherche des pannes

### L'OUTIL DOIT ETRE REPARE PAR DU PERSONNEL QUALIFIE

**Cet outil est conforme aux normes de sécurité en vigueur. Toute réparation doit être effectuée uniquement par du personnel qualifié utilisant des pièces de rechange originales sinon cela peut provoquer des dangers considérables pour l'utilisateur.**

Problèmes	Causes	Remèdes
La machine ne fonctionne pas.	Le câble d'alimentation est mal raccordé ou endommagé	Enfoncez à fond la fiche dans la prise, vérifiez le câble d'alimentation.
	Il n'y a pas de tension à la prise de courant.	Vérifiez ou faites vérifier la prise de courant.
	La protection thermique est intervenue,	Débrancher le câble d'alimentation et réarmer la protection. S'il n'est pas possible de la réarmer, attendre quelques minutes de manière à la laisser refroidir.
	L'interrupteur de sécurité interne est endommagé.	Adressez-vous à votre revendeur habituel.
La machine démarre avec difficulté.	La pâte à mélanger est trop dure.	Oter une partie du matériel du bol et essayer de faire redémarrer la machine.
	Le fouet rencontre un obstacle pendant la rotation (Cailloux ou grumeaux).	Enlever les cailloux trop volumineux ou les grumeaux de produit. Procéder comme pour le remède précédent.
	Le condensateur de démarrage est endommagé.	Adressez-vous à votre revendeur habituel.
	Les roulements ou les bagues du réducteur de la machine sont endommagés.	Adressez-vous à votre revendeur habituel.
Bruit insolite émanant du réducteur de la machine.	Le réducteur est endommagé.	Arrêter la machine immédiatement et s'adresser au revendeur habituel.

## **INSTRUCTIONS DE SÉCURITÉ**

**Attention! Afin de réduire le risque d'électrocution, de blessure ou d'incendie lors de l'utilisation d'outils électriques, observez toujours les mesures de sécurité suivantes. Lisez et observez ces instructions avant d'utiliser l'outil et conservez ces indications.**

### **CONSERVER SOIGNEUSEMENT CES INSTRUCTIONS.**

#### **Maintenez de l'ordre sur votre lieu de travail**

- Le désordre dans le lieu de travail augmente le risque d'accident.

#### **Tenez compte de l'environnement du lieu de travail**

- N'exposez pas l'outil à la pluie.
- N'utilisez pas l'outil dans un environnement humide ou mouillé. Maintenez le lieu de travail éclairé.
- N'utilisez pas d'outil en présence de liquides inflammables ou de gaz.

#### **Protégez-vous contre l'électrocution**

- Évitez tout contact avec les surfaces reliées à terre.

#### **Tenez les enfants éloignés!**

- Ne permettez pas que d'autres personnes touchent à l'outil ou au cordon. tenez-les éloignées de votre lieu de travail.

#### **Rangez votre outil dans un endroit sûr**

- Les outils, quand ils ne sont pas utilisés, doivent être rangés dans un endroit sec, sûr et hors de la portée des enfants.

#### **Ne surchargez pas votre outil**

- Il travaillera mieux et plus sûrement dans la plage de puissance indiquée.

#### **Utilisez l'outil adéquat**

- N'utilisez pas d'outils ou de dispositifs de trop faible puissance pour exécuter des travaux lourds. N'utilisez pas l'outil à des fins et pour des travaux pour lesquels il n'a pas été conçu.

#### **Portez de vêtements de travail appropriés**

- Lors de travaux à l'air libre il est recommandé de porter des gants en caoutchouc et des chaussures à semelle antidérapante. Coiffez-vous d'un filet à cheveux s'ils sont longs. Portez des lunettes de protection.
- Utilisez aussi un masque si le travail exécuté dégage de la poussière.

#### **Évitez tout mauvais usage du cordon**

- Ne portez pas l'outil par le cordon et ne tirez pas sur celui-ci pour débrancher la fiche de la prise.
- Tenir le cordon à distance des sources de chaleur, de l'huile et des arêtes vives.

#### **Évitez toutes positions instables**

- Veillez à ce que votre appui au sol soit ferme et conservez l'équilibre à tout moment.

#### **Entretenez vos outils soigneusement**

- Maintenez vos outils affûtés et propres afin de

travailler mieux et plus sûrement.

- Observez les prescriptions d'entretien et les indications de changement de l'outillage. Vérifiez régulièrement l'état du cordon d'alimentation et, en cas de détérioration, faites-le changer par un spécialiste reconnu. Vérifiez le cordon de rallonge périodiquement et remplacez-le s'il est endommagé. Maintenez les poignées sèches et exemptes d'huile et de graisse.

#### **Débranchez la fiche de la prise**

- En cas de non utilisation, avant de procéder à l'entretien et lors du changement d'outil.

#### **Enlevez les clés à outils**

- Avant de mettre l'outil en marche, assurez-vous que les clés et outils de réglage ont été retirés.

#### **Évitez tout démarrage involontaire**

- Assurez-vous que l'interrupteur est en position d'arrêt quand vous branchez la prise.

#### **Câbles de rallonge pour l'extérieur**

- A l'extérieur, n'utilisez que des rallonges homologuées et marquées de cette façon.

#### **Soyez toujours attentif**

- Observez votre travail, agissez en faisant preuve de bon sens. N'employez pas l'outil lorsque vous êtes fatigué.

#### **Contrôlez si votre appareil est endommagé**

- Avant d'utiliser de nouveau l'outil, vérifiez soigneusement le parfait fonctionnement des dispositifs de sécurité ou l'éventuelle présence de pièces endommagées. Vérifiez si le fonctionnement des pièces mobiles est correct, si elles ne se grippent pas ou si d'autres pièces sont endommagées. Tous les composants doivent être montés correctement et remplir les conditions pour garantir le fonctionnement impeccable de l'appareil.
- Tout dispositif de sécurité et toute pièce endommagés, doivent être réparés ou remplacés de manière appropriée par un atelier du Service Assistance, sauf indication contraire du manuel d'utilisation.
- Les interrupteurs de commande défectueux doivent être remplacés par un réparateur spécialisé.
- N'utilisez aucun outil sur lequel l'interrupteur ne puisse ni ouvrir ni fermer le circuit correctement.

#### **Attention!**

- Pour votre sécurité, n'utilisez que les accessoires mentionnés dans le manuel d'utilisation ou les catalogues prévus.
- L'utilisation d'accessoires ou d'outils autres que ceux recommandés dans le manuel d'utilisation ou dans le catalogue, peut signifier pour vous un danger personnel de blessure.

#### **Faites réparer votre outil par du personnel qualifié**

- Cet outil est conforme aux normes de sécurité en vigueur. Toute réparation doit être effectuée uniquement par du personnel qualifié utilisant des pièces de rechange originales sinon cela peut provoquer des dangers considérables pour l'utilisateur.



## Datos Técnicos

Alimentación:	115V 50Hz.~	230V 50Hz.~
Potencia máxima absorbida:	1200W	
Potencia máxima rendida:	750W	
Condensador (230V~50Hz.):	20 µF	
Condensador (115V~50Hz.):	85 µF	
Masa en servicio:	25 Kg.	
Capacidad de la cubeta:	50 Kg.	

### Tipo de funcionamiento consentido:

SERVICIO S1  
carga continua

Velocidad de rotación:	55 min-1
Grado IP:	44

### Uso aconsejado:

ADHESIVOS PARA AZULEJOS, CEMENTO, PINTURAS, BARNICES Y RESINAS EPÓXIDICAS.



La medición del ruido de funcionamiento de las máquinas se realizó según la norma ISO 3745-77.

Lw	76,6 [dB(A)]
Lw	62,7 [dB(A)]

## 1. Uso



Antes de usar la máquina, leer atentamente el capítulo relativo a la seguridad.

Antes de salir de la fábrica, cada máquina es sometida a una serie de pruebas y todo se controla minuciosamente.

La BELLE trabaja constantemente para el desarrollo de sus máquinas; por esto se reserva el derecho de poder aportar las modificaciones que considere oportunas y por consiguiente no se podrá pretender ningún tipo de derecho sobre los datos y sobre las ilustraciones del presente manual.

La mezcladora TUBMIX es una máquina para preparar adhesivos para azulejos, cemento, pinturas, barnices y resinas epóxicas.

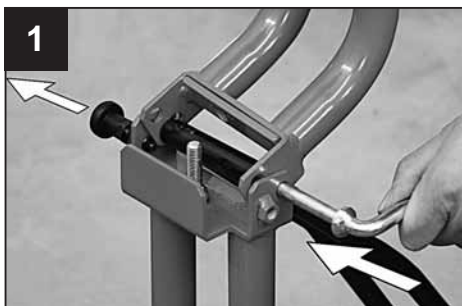
## 2. Precauciones

- El fabricante declina toda responsabilidad por el empleo de la mezcladora TUBMIX con herramientas distintas y materiales que no estén especificados en el párrafo "TIPOS DE HERRAMIENTAS ACONSEJADAS".
- El TUBMIX está construido para operar exclusivamente en las condiciones de funcionamiento consentidos indicadas.
- Durante el uso, con el agitador en rotación, no introduzcan cuerpos extraños o herramientas en la cubeta.

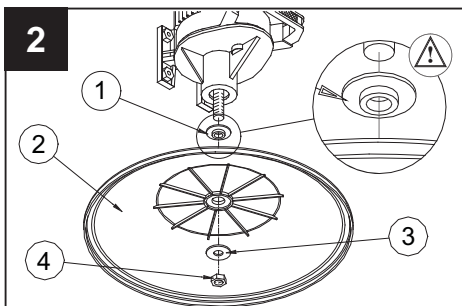
## 3. Instalación

Monte el bastidor superior y la manija de transporte como muestra la figura 1.

Inserte la clavija de conexión y fijela con la grapa de seguridad poniendo atención al bloqueo mecánico.

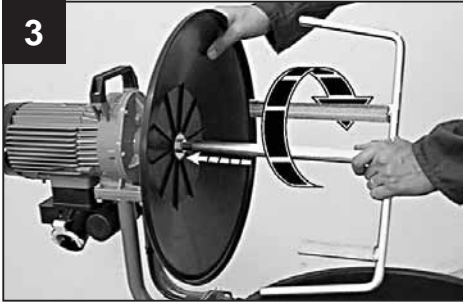


Introduzcan todos los componentes en secuencia según la figura 2. Bloquear todo utilizando la llave hexagonal de 22mm que se entrega con la máquina.



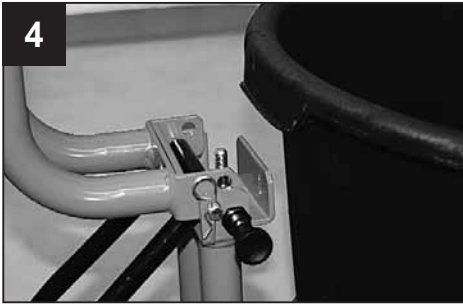


Enrosquen a tope el agitador sobre el cuerpo del motor. El bloqueo definitivo tendrá lugar cuando se ponga en marcha la máquina.



Introduzcan la cubeta en el bastidor inferior prestando atención en colocar uno de los cuatro mangos de transporte en la lengüeta metálica a tal efecto.

De esta manera se evitará la rotación de la cubeta durante la operación de mezcla del producto.



Introduzcan el agitador colocándolo según la figura 5.

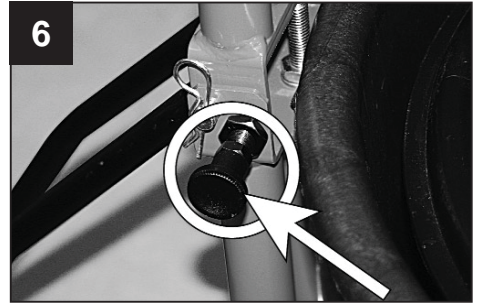
Bajar la cabeza del motor a la posición de trabajo.



**¡ATENCIÓN!**

**ASEGÚRESE DE QUE CON LA MÁQUINA CERRADA EL MECANISMO DE BLOQUEO ESTÉ EN POSICIÓN DE BLOQUEO (Figura 6).**

Ahora el TUBMIX ya está listo para ser utilizado.



#### 4. Extracción de la cubeta

Una vez terminada la mezcla, apague la máquina. Coloque el agitador en la cubeta como muestra la figura 5.

El TUBMIX ha sido concebido para permitir la apertura de la cabeza del motor sólo si el agitador está en esa posición.

Con una mano mantenga desbloqueado el mecanismo de bloqueo y con la otra levante la cabeza del motor como se indica en la figura 7.



**¡ATENCIÓN!**

**Es totalmente necesario que la protección de plástico no se quite de la máquina; dicha protección cumple la función contra accidentes prevista por la ley.**

# E

## 5. Transporte

La máquina resulta fácil de mover. Levante la manija y mueva la máquina sobre sus ruedas según la figura 8.



## 6. Conexión a la red eléctrica

La máquina debe conectarse a la red eléctrica mediante un interruptor diferencial o un transformador de aislamiento en clase II, con las siguientes características:

	<u>Diferencial</u>	<u>Transformador</u>
230V	In 10 A Id 20 mA	230 V 50 Hz 1500 W Servicio continuo
115V	In 20 A Id 20 mA	115 V 50 Hz 1500 W Servicio continuo

**Nota:** Para una utilización correcta de los interruptores diferenciales no se debe olvidar el control periódico de la eficiencia de los mismos, que se efectúa mediante el respectivo pulsador situado en la parte frontal del aparato mismo.

En todo caso, antes de conectar la máquina a la toma de corriente, asegurarse de que el voltaje de la línea sea el mismo que aparece indicado en la placa de la máquina. Conectar la máquina sólo a una línea con cable de puesta a tierra eficiente. En caso de duda, no conectar la máquina.



### INFORMACIONES

Cuando la cabeza del motor está levantada, un interruptor automático de seguridad impide el funcionamiento del motor.

**EL MOTOR SE PUEDE PONER EN MARCHA SÓLO CUANDO EL AGITADOR SE ENCUENTRA EN POSICIÓN DE TRABAJO DENTRO DE LA CUBETA.**

La mezcladora TUBMIX se suministra equipada con una protección térmica de rearme manual. La protección se activa en caso de que el agitador se atasque. En caso de atasco, antes de rearmar la protección, desconecte la máquina de la red eléctrica y vacíe parcialmente la cubeta.



## 7. Preparación de la mezcla

Para preparar la mezcla:

- Arranquen la máquina siempre con la máquina vacía
- En función del tipo de componente que se quiera utilizar sigan los siguientes pasos:



**ATENCIÓN!**

### Cola para baldosas y azulejos

- A) Lea con atención las instrucciones escritas en el saco de la cola que va a utilizar.
- B) Vierta en la cubeta toda el agua que sirve para preparar la cantidad de cola como indica el fabricante.
- C) Ponga en marcha el TUBMIX 50, y a continuación haga caer el primer saco de 25 kg. de polvo a una velocidad de 10 kg/min., directamente sobre la protección de plástico que hará que centrifugue para obtener una mezcla correcta. Realice esta operación de manera continua y uniforme con el segundo saco de 25 kg. y luego espere a que se mezcle completamente el producto que se ha vertido hasta ese momento. De esta manera no se formarán grumos en la pasta.

- Si fuera necesario, haga reposar la cola de 5 a 15 minutos y vuelva a mezclar sucesivamente por algunos minutos. Como se mencionó en los párrafos anteriores, la máquina puede trasladarse directamente al lugar donde se va utilizar la cola.

### **Cemento**

- La mezcladora está indicada para la preparación de revoques con cal, cemento y áridos finos. No está indicada para mezclar hormigón ni mezclas con grava o áridos de tamaño mediano o grande.
- Para la preparación de argamasa para enyesar, proceda de la forma descrita en el párrafo anterior: Cola para baldosas y azulejos.
- Debido a que el revoque es una preparación altamente higroscópica, es necesario, con el fin de evitar el excesivo endurecimiento del compuesto, prestar especial atención al agregar cal, cemento o áridos al final del proceso de mezcla.

### **Resinas epóxicas**

- Para la mezcla de resinas epóxicas, compruebe la viscosidad y el peso específico de los productos que desee preparar, con el fin de no sobrecargar el motor.
- Vierta en la cubeta la cantidad adecuada de resina, endurecedor y cualquier otro polvo indicado por el proveedor del producto.
- Mezcle cuidadosamente evitando la formación de burbujas o grumos.

### **Pinturas**

- Vierta la pintura en la cubeta de la mezcladora y añada la cantidad necesaria de agua requerida para la solución.



**ATENCIÓN!**

- ! El uso de productos químicos o disolventes puede afectar las características de la cubeta, construido en polietileno de alta densidad PET.
- ! Antes de utilizarlos, compruebe la compatibilidad de los productos que desee mezclar con las características de la máquina.

## **8. Advertencias sobre el mantenimiento**

El reductor de la máquina está lubricado con grasa sintética de tipo semifluida adecuada para la lubricación de engranajes en cárter.

Si hubiera que cambiarla, usen un producto con características similares indicadas a continuación:

<b>Grado NLGI:</b>	<b>0</b>
<b>Punto de goteo: °C</b>	<b>115</b>
<b>Agente espesante</b>	<b>JABONES DE SODIO</b>



**ATENCIÓN!**

**Si hubiera que cambiar la grasa, dirigirse al vendedor de confianza**

## **9. Eliminación de desechos**

- En caso de que la cubeta de la máquina se desgaste o se dañe, es necesario desecharlo según los métodos prescritos por la legislación vigente.
- Si fuera necesario deshacerse de la máquina completa, debe hacerse según los métodos descritos en la legislación vigente.

### **Motor eléctrico**

Aluminio	AL
Acero	AC
Cobre	CU
Poliamida	PA

### **Bastidor de la máquina**

Acero	AC
Poliamida	PA

### **Cubeta**

Polietileno	PET
-------------	-----

## 10. Localización de averías

**LA HERRAMIENTA TIENE QUE SER REPARADA POR PERSONAL CUALIFICADO.**

*Esta herramienta eléctrica cumple las relativas normas de seguridad. Las reparaciones tienen que ser efectuadas solamente por personal cualificado que utilice piezas de repuesto originales, de otra forma se puede provocar un considerable peligro para el operador.*

Problema	Causa	Solución
La máquina no funciona.	El cable de alimentación está mal conectado o dañado.	Empujar a fondo el enchufe en la toma, controlar el cable de alimentación.
	No hay tensión en la toma de corriente.	Controlar o hacer controlar la toma de corriente.
	La protección térmica se ha activada.	Desconectar el cable de alimentación de la toma de corriente y rearmar la protección térmica. Si non se rearma, déjelo enfriar unos minutos.
La máquina arranca con dificultad.	El interruptor de seguridad interno está dañado.	Dirigirse al vendedor de confianza.
	La mezcla está demasiado dura.	Retirar parte del material de la cubeta y intentar el arranque.
	El agitador encuentra algún obstáculo mientras gira (piedras o material agrumado).	Retirar las piedras demasiado grandes o el material agrumado. Proceder de la misma forma que en la acción correctiva anterior.
	El condensador de arranque está dañado.	Dirigirse al vendedor de confianza.
El reductor de la maquina hace un ruido extraño.	Los cojinetes y los casquillos del reductor del reductor están dañados.	Dirigirse al vendedor de confianza.
	El reductor está dañado.	Apagar inmediatamente la maquina y dirigirse al vendedor de confianza.

## **INSTRUCCIONES DE SEGURIDAD**

**¡Atención! Cuando utilice aparatos eléctricos, observe las siguientes medidas de seguridad, a fin de reducir el riesgo de descargas eléctricas, de lesiones y de incendio.**

**¡Lea y observe todas estas instrucciones antes de utilizar el aparato y conserve bien estas instrucciones!**

### **CONSERVE BIEN ESTAS INSTRUCCIONES**

#### **Mantenga ordenado su lugar de trabajo**

- El desorden en el área de trabajo aumenta el riesgo de accidentes.

#### **Tenga en cuenta el entorno del área de trabajo**

- No exponga el aparato a la lluvia.
- No utilice el aparato en un entorno húmedo o mojado. Procure que el área de trabajo esté bien iluminada.
- No utilice el aparato cerca de líquidos inflamables o gases.

#### **Protéjase contra las descargas eléctricas**

- Evite el contacto entre el cuerpo y los objetos conectados a tierra.

#### **¡Mantenga alejados a los niños**

- No permita que otras personas toquen el aparato o el cable. Manténgalas alejadas de su área de trabajo.

#### **Guarde sus herramienta en un lugar seguro.**

- Los aparatos que no se utilizan deberían estar guardados en un lugar seco, seguro y fuera del alcance de los niños.

#### **No sobrecargue el aparato**

- Trabajaré mejor y más seguro si lo hace dentro del margen de potencia indicado.

#### **Utilice el aparato adecuado**

- No utilice aparatos de potencia demasiado débil ni accesorios que necesiten una potencia elevada. No utilice el aparato para hacer trabajos para los que no ha sido concebido.

#### **Vístase con ropa de trabajo apropiada.**

- Cuando se hacen trabajos en el exterior, se recomienda llevar guantes de goma y calzado de suela antideslizante. Si su cabello es largo, téngalo recogido. Lleve gafas de protección.
- Utilice también una mascarilla si el trabajo ejecutado produce polvo.

#### **Evite utilizar incorrectamente el cable de alimentación.**

- No levante el aparato por el cable ni tire de éste para desconectar la clavija del enchufe.
- Preserve el cable de temperaturas elevadas, del aceite y de las aristas vivas.
- Evite adoptar posiciones inseguras. Mantenga siempre una correcta postura y equilibrio.

#### **Mantenga sus herramientas cuidadosamente.**

- Mantenga sus herramientas afiladas y limpias a fin de trabajar mejor y más seguro.
- Observe las prescripciones de mantenimiento y las indicaciones de cambio del utillaje. Verifique

con regularidad el estado del cable de alimentación, y en caso de estar dañado, hágalo cambiar por un técnico cualificado autorizado.

Controle con regularidad los cables de extensión y cámbienlos si están dañados. Mantenga las empuñaduras secas y exentas de aceite y de grasa.

#### **Desenchufe la clavija del enchufe**

- En caso de no utilización del aparato, antes de efectuar reparaciones y cuando cambie accesorios .

#### **Retire las llaves de maniobra.**

- Antes de poner el aparato en marcha asegúrese de que las llaves y útiles de reglaje hayan sido retirados.

#### **Evite los arranques involuntarios.**

- Asegúrese de que el interruptor esté "apagado" cuando se conecta el enchufe del aparato.

#### **Cables de prolongación para el uso en el exterior.**

- Cuando la herramienta se utiliza en el exterior, usen solamente alargadoras homologadas e identificadas para ello

#### **Esté siempre alerta.**

- Observe su trabajo. Use el sentido común y no use el aparato cuando esté distraído

#### **Controle si su aparato esta dañado.**

- Antes de usar de nuevo el aparato, verifique cuidadosamente los dispositivos de seguridad y las piezas posiblemente dañadas. Verifique si el funcionamiento de las piezas móviles es correcto, si no se gripan, o si otras piezas están rotas; si todos los otros componentes están montados correctamente y reúnen las condiciones para garantizar el funcionamiento impecable del aparato.
- Todo dispositivo de seguridad y toda pieza dañada, tienen que ser reparados o sustituidos de forma apropiada en un taller del servicio posventa, si no se indica otra cosa en el manual de empleo.
- Todo interruptor de mando defectuoso tienen que ser reemplazado por un taller del servicio posventa.
- No utilice ningún aparato cuyo interruptor no pueda abrir y cerrar su circuito correctamente.

#### **¡Atención**

- El uso de accesorios distintos de los mencionados en el manual de instrucciones o recomendados en el catálogo del fabricante de la máquina, puede significar un riesgo de lesiones personales.

#### **Haga reparar su herramienta por personal cualificado.**

- Este aparato eléctrico cumple las relativas normas de seguridad en vigor. Las reparaciones tienen que ser efectuadas solamente por personal cualificado que utilice piezas de repuesto originales, de no ser así se puede provocar un considerable peligro para el operador.

## Technische Daten

Stromversorgung:	115V 50Hz.~	230V 50Hz.~
Max. Leistungsaufnahme:	1200W	
Max. Endleistung:	750W	
Kondensator (230V~50Hz.):	20 µF	
Kondensator (115V~50Hz.):	85 µF	
Betriebsgewicht:	25 Kg.	
Fassungsvermögen des Eimers:	50 Kg.	

### Erlaubte Funktionsweise:

S1  
Kontinuierliche Belastung

Drehzahl:	55 min <sup>-1</sup>
IP-GRAD:	44

### Empfohlener Einsatzbereich:

FLIESENKLEBER, ZEMENT, FARBEN, LACKE  
UND EPOXIDHARZE.



Der Geräuschpegel dieser Maschinen wird nach den Vorgaben der ISO3745-77 Norm gemessen.

Lw	76,6 [dB(A)]
Lw	62,7 [dB(A)]

## 1. Einsatzbereich



Vor jedem Einsatz der Maschinen lesen Sie den Kapitel bezüglich der Sicherheit aufmerksam durch.

Bevor unsere Maschine das Werk verlassen, durchlaufen Sie aufwendige und mit peinlichster Genauigkeit durchgeführte Endkontrollen. Die Fa. BELLE arbeitet ständig an der Entwicklung Ihrer Maschinen, deshalb behält Sie sich das Recht vor, Veränderungen vorzunehmen. Aus diesem Grund kann kein Anspruch auf Daten und Abbildungen dieser Gebrauchsanweisung erhoben werden.

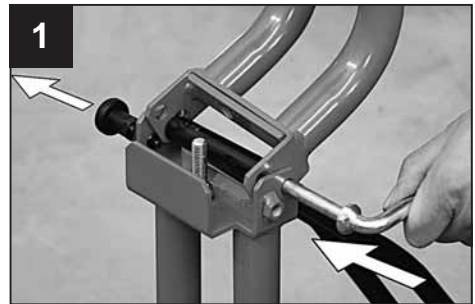
Der TUBMIX ist ein Mischer für Fliesenkleber, Zement, Farben, Lacke und Epoxidharze.

## 2. Sicherheitsmaßnahmen

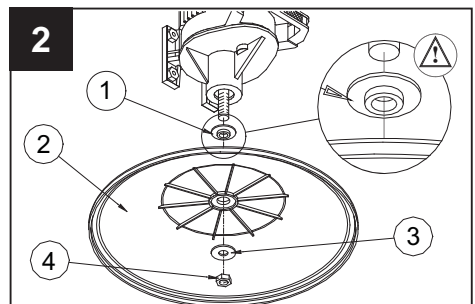
- Der Hersteller weist jede Verantwortung für die Verwendung des TUBMIXs mit andersartigen Werkzeugen oder Materialien als im Absatz "EMPFOHLENE WERKZEUGTYPEN" angegeben von sich.
- Der TUBMIX ist so ausgelegt, daß er nur unter den angeführten zulässigen Betriebsbedingungen eingesetzt werden darf.
- Während des Betriebs bei laufendem Rührwerk keine Fremdkörper oder Werkzeuge in den Eimer geben.

## 3. Installation

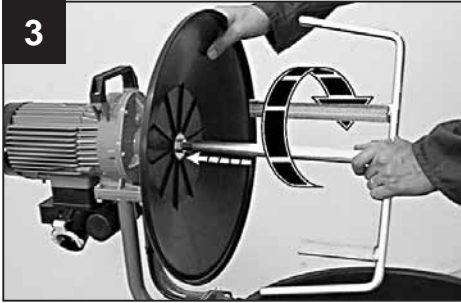
Bauen Sie den oberen Rahmen und den Transportgriff entsprechend der Abbildung 1 zusammen. Setzen Sie den Anschlußstift ein und befestigen Sie ihn mit Sicherheitsklammern.



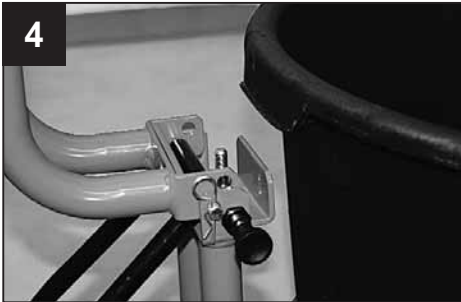
Die Komponenten entsprechend der in Abbildung 2 dargestellten Reihenfolge einsetzen, dann alles mit dem mitgelieferten 22-mm-Inbusschlüssel festziehen.



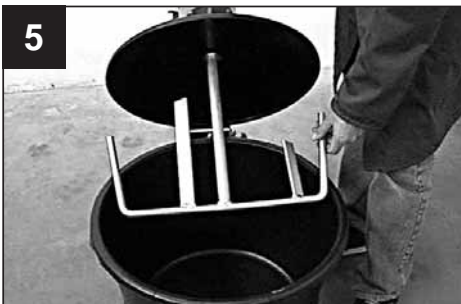
Das Rührwerk fest an den Motorkörper schrauben.  
Bei Inbetriebnahme der Maschine wird es definitiv blockiert.



Den Eimer in den unteren Rahmen einsetzen und dabei darauf achten, daß eine der vier Griffe die eigens hierfür vorgesehene Metallasche zentriert. Auf diese Art und Weise wird vermieden, daß sich der Eimer während des Mischen des Produkts dreht.



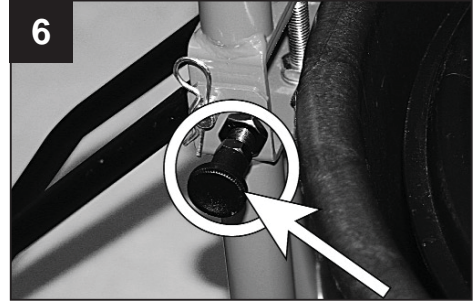
Das Rührwerk einsetzen (siehe Abb. 5).  
Den Zylinderkopf in Arbeitsstellung bringen.



**! WICHTIG!**

**SICHERSTELLEN, DASS SICH DER SPERRMECHANISMUS BEI GESCHLOSSENER MASCHINE IN DER SPERRSTELLUNG BEFINDET (Abb. 6).**

An diesem Punkt ist der TUBMIX betriebsbereit.



#### 4. Herausziehen des Eimers

Nach erfolgter Mischung, die Maschine abstellen.  
Das Rührwerk in den Eimer legen, wie in Abbildung 5 gezeigt.

Die Maschine wurde so konzipiert, dass die Öffnung des Zylinderkopfes nur dann möglich ist, wenn sich das Rührwerk in dieser Stellung befindet.

Mit einer Hand den Spermechanismus entriegelt halten und mit der anderen den Zylinderkopf - wie in Abbildung 7 gezeigt - anheben.



**! WICHTIG!**

**Die Kunststoffabdeckung darf auf gar keinen Fall von der Maschine entfernt werden. Sie dient dem gesetzlichen Unfallschutz des Rührwerks.**



# D

## 5. Transport

Die Maschine ist leicht zu befördern. Heben Sie den Griff und fahren Sie die Maschine auf den Rädern, wie in der Abb. 8 gezeigt.



## 6. Anschluß an das Stromnetz

Die Maschine ist über einen Differentialschalter oder einer Transformator (Isolationsklasse II) mit folgenden Merkmalen an das Stromnetz anzuschließen:

	<u>Differentialschalter</u>	<u>Transformator</u>
230V	In 10 A Id 20 mA	230 V 50 Hz 1500 W Dauerbetrieb
115V	In 20 A Id 20 mA	115 V 50 Hz 1500 W Dauerbetrieb

**Merke:** Für einen korrekten Einsatz der Differentialschalter ist eine regelmäßige Kontrolle ihrer Leistungsfähigkeit mittels der Taste an der Vorderseite der Vorrichtung selbst erforderlich.

In jedem Fall ist vor dem Anschluß der Maschine an die Steckdose sicherzustellen, daß die Spannung der Stromleitung mit dem Wert auf dem Typenschild der Maschine übereinstimmt. Die Maschine nur an eine Leitung mit wirksamer Erdung anschließen. Im Zweifelsfalle die Maschine nicht anschließen.



### HINWEISE

Bei angehobenem Zylinderkopf verhindert ein Schutzschalter den Motorbetrieb.

**DER MOTOR KANN NUR BEI IM EIMER IN ARBEITSSTELLUNG BEFINDLICHEM RÜHRWERK GESTARTET WERDEN.**

Die TUBMIX sind mit einem Überhitzungsschutz ausgestattet, der von Hand wieder eingeschaltet wird. Er schaltet nach dem Festfahren des Rührwerks ab. In diesem Fall, so muß die Maschine von der Stromzufuhr getrennt und der Eimer teilweise entleert werden, bevor der Überhitzungsschutz wieder eingeschaltet wird



## 7. Vorbereitung der Mischung

Die Mischung folgendermaßen vorbereiten:

- Die Maschine immer in leerem Zustand starten.
- Je nach Art der einzusetzenden Komponente folgendermaßen vorgehen:



### WICHTIG!

#### Kleber für Boden und Wandfliesen

- A) Die Anweisungen auf dem Klebersack, den Sie benutzen wollen, aufmerksam lesen.
- B) Gießen Sie in den Eimer die vom Kleberhersteller vorgeschriebene Wassermenge ein, um die gewünschte Klebermenge vorzubereiten.
- C) Starten Sie den TUBMIX 50, dann schütten Sie den ersten Pulversack (25 Kg) bei einer Geschwindigkeit von 10 Kg/min unmittelbar in den Kunststoffschutz. Die Mischarme werden das Produkt rühren.  
Fahren Sie mit diesem Arbeitsvorgang in beständiger, gleichmäßiger Weise auch für den zweiten Sack (25 Kg) fort und dann darauf warten, daß das bis jetzt eingeschüttete Produkt vollkommen gemischt wird. Auf diese Weise werden Klumpenbildungen in der Masse vermieden.



- Bei Bedarf lassen Sie den Kleber 5 bis 15 Minuten lang ruhen, und anschließend mischen Sie erneut einige Minuten lang. Wie oben erwähnt, kann die Maschine unmittelbar dorthin gefahren werden, wo der Kleber benötigt wird.

### Zement

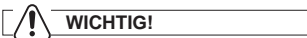
- Der Mischer eignet sich für die Zubereitung von Verputzmörtel mit feinem Kalk, Zement und Zuschlagstoffen. Er ist für das Mischen von Beton oder Mörtel mit mittelgroßem Kies oder Zuschlagstoffen nicht geeignet.
- Für die Zubereitung von Verputzmörtel gehen Sie entsprechend der Beschreibung im obigen Absatz "Kleber für Boden und Wandfliesen " vor.
- Da der Mörtel ein stark wasseraufsaugender Stoff ist, muß im Hinblick auf ein übertriebenes Abhärten der Mischung sorgfältig auf die beigegebenen Mengen von Kleber, Zement oder Zuschlagstoffen entsprechend der gewünschten Mischung geachtet werden.

### Epoxidharze

- Zur Mischung von Epoxidharz sind die Viskosität und das spezifische Gewicht der vorzubereitenden Produkte zu prüfen, um eine Überlastung des Mischermotors zu vermeiden.
- Schütten Sie die vom Hersteller der Produkte angegebenen Mengen Harz, Härter und Pulver in den Eimer.
- Mischen Sie die Produkte sorgfältig, um Blasen oder Klumpenbildung zu vermeiden.

### Farben

- Gießen Sie die Farbe in den Mischereimer und fügen Sie die für die Lösung erforderliche Wassermenge hinzu.

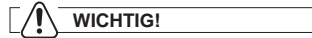


- ! **Die Verwendung von chemischen Produkten oder Lösungsmitteln kann die Eigenschaften des Eimers, der aus hochdichtem PET hergestellt ist, beeinträchtigen.**
- ! **Prüfen Sie vor der Benutzung, ob die zu mischenden Produkte mit den Eigenschaften der Maschine vereinbar sind.**

## 8. Wartungshinweis

Das Untersetzungsgetriebe der Maschine wird mit halbflüssigem, für die Schmierung des Getriebes im Gehäuse geeignetem, synthetischem Fett geschmiert. Bei Fettwechsel ein Produkt mit ähnlichen Merkmalen wie nachstehend aufgeführt verwenden:

<b>NLGI-Grad:</b>	<b>0</b>
<b>Tropfpunkt: °C</b>	<b>115</b>
<b>Verdichtmittel</b>	<b>NATRIUMSEIFEN</b>



**Bei Fettwechsel, wenden Sie sich an Ihren Fachhändler.**

## 9. Entsorgung

- Falls der Eimer der Maschine verschlissen ist oder beschädigt wurde, muß er entsprechend der gesetzlich vorgeschriebenen Methode entsorgt werden.
- Falls die gesamte Maschine verschrottet wird, muß sie entsprechend der gesetzlich vorgeschriebenen Methode entsorgt werden.

### **Elektromotor**

Aluminium	AL
Stahl	AC
Kupfer	CU
Polyamid	PA

### **Maschinenrahme**

Stahl	AC
Polyamid	PA

### **Eimer**

Polyäthylen	PET
-------------	-----

## 10. Störungssuche

**LASSEN SIE IHRE WERKZEUGE AUSSCHLIESSLICH VOM FACHPERSONAL REPARIEREN!**

*Diese Maschine entspricht den geltenden Sicherheitsbestimmungen. Reparaturen dürfen nur von Fachleuten ausgeführt werden, die Originalersatzteile benutzen; andernfalls könnten schwere Unfälle für den Benutzer entstehen.*

Fault	Ursache	Behebung
Die Maschine funktioniert nicht.	Stromkabel falsch angeschlossen oder schadhaft.	Stecker fest in die Steckdose drücken und Stromkabel kontrollieren.
	Keine Spannung auf der Steckdose.	Die Steckdose kontrollieren oder kontrollieren lassen.
	Der Überhitzungsschutz hat die Maschine ausgeschaltet.	Den Stromkabel aus der Steckdose herausziehen und den Überhitzungsschutz wieder einschalten. Sollte das nicht möglich sein, die Maschine einige Minuten abkühlen lassen.
	Der interne Schutzschalter ist beschädigt.	An Fachhändler wenden.
Die Maschine startet mit Schwierigkeiten.	Die Mischung ist zu hart.	Remove part of the mixture from the basket, than try to start the machine.
	Das Rührwerk stößt beim Drehen auf Hindernisse (Steine oder Klumpen).	Das Material teilweise aus dem Eimer nehmen und versuchen, die Maschine erneut zu starten.
	Anlaßkondensator defekt.	An Fachhändler wenden.
	Motorlager oder -buchsen defekt.	An Fachhändler wenden.
Das Untersetzungsgetriebe der Maschine gibt ungewöhnliche Geräusche von sich aus.	Untersetzungsgetriebe defekt.	Die Maschine sofort ausschalten und sich an Fachhändler wenden.

## **SICHERHEITSHINWEISE**

**Achtung!** Beim Gebrauch von Elektrowerkzeugen sind zur Vermeidung elektrischer Schläge, Verletzungen und Brandgefahr folgende Sicherheitsmaßnahmen streng zu beachten. Lesen und beachten Sie diese Hinweise, bevor Sie das Gerät benutzen. Bewahren Sie diese Sicherheitshinweise gut auf!

### **BEWAHREN SIE DIESE SICHERHEITSHINWEISE MIT SORGFALT AUF!**

#### **Halten Sie Ihren Arbeitsbereich in Ordnung!**

- Unordnung im Arbeitsbereich bedeutet Unfallgefahr.

#### **Berücksichtigen Sie die Umgebungsbedingungen!**

- Setzen Sie das Gerät dem Regen nicht aus!
- Benützen Sie das Gerät in feuchter oder nasser Umgebung nicht! Sorgen Sie für gute Beleuchtung Ihres Arbeitsbereiches!
- Benützen Sie das Gerät in der Nähe von brennbaren Flüssigkeiten oder Gasen nicht!

#### **Schützen Sie sich vor elektrischem Schlag!**

- Vermeiden Sie, geerdete Teile zu berühren!

#### **Halten Sie Kinder weg vom Gerät!**

- Lassen Sie andere Personen weder das Gerät noch das Kabel berühren; halten Sie sie von Ihrem Arbeitsbereich fern!

#### **Bewahren Sie Ihr Gerät sicher auf!**

- Unbenutzte Geräte sollten in einem trockenen, sicheren und für Kinder nicht erreichbaren Raum aufbewahrt werden.

#### **Überladen Sie Ihr Gerät nicht!**

- Ihr Gerät wird besser und sicherer innerhalb des angegebenen Leistungsbereichs arbeiten.

#### **Benützen Sie das richtige Gerät!**

- Benutzen Sie kein zu schwaches Gerät oder keinen zu schwachen Zubehör für zu schwere Arbeiten! Benützen Sie das Gerät ausschließlich für die Zwecke und Arbeiten, wofür es ausgedacht wurde!

#### **Tragen Sie geeignete Arbeitskleidung!**

- Bei Arbeiten im Freien sind Gummihandschuhe und rutschfeste Schuhe empfehlenswert. Bei langen Haaren tragen Sie ein Haarnetz! Benützen Sie eine Schutzbrille!
- Bei stauberzeugenden Arbeiten tragen Sie eine Atemmaske!

#### **Vermeiden Sie, das Kabel falsch zu benutzen!**

- Tragen Sie das Gerät nicht am Kabel, und benützen Sie es nicht, um den Stecker aus der Steckdose zu ziehen.
- Schützen Sie das Kabel vor Hitze, Öl und scharfen Kanten.

#### **Vermeiden Sie unsichere Positionen!**

- Sorgen Sie für sicheren Stand und halten Sie jederzeit das Gleichgewicht!

#### **Pflegen Sie Ihre Werkzeuge mit Sorgfalt!**

- Halten Sie Ihre Werkzeuge scharf und sauber, um

besser und sicher zu arbeiten.

- Befolgen Sie mit Sorgfalt die Hinweise für Wartung und Ersatz der verschlissenen Teile! Kontrollieren Sie das Kabel regelmäßig, und falls nötig lassen Sie es von einem anerkannten Fachmann ersetzen. Kontrollieren Sie die Verlängerungskabel regelmäßig und falls notwendig sie ersetzen. Halten Sie Handgriffe trocken und frei von Öl oder Fett.

#### **Ziehen Sie den Netzstecker von der Steckdose!**

- jedesmal wenn das Gerät nicht benutzt wird; vor jeder Wartungsmaßnahme und beim Werkzeugersatz.

#### **Lassen Sie keine Schlüssel stecken!**

- Vor dem Einschalten des Geräts, überprüfen Sie, daß alle Schlüssel und Einstellwerkzeuge entfernt wurden.

#### **Vermeiden Sie zufällige Anläufe!**

- Vergewissern Sie sich, daß der Schalter beim Anschluß des Geräts an das Stromnetz ausgeschaltet ist.

#### **Verlängerungskabel im Freien**

- Im Freien verwenden Sie nur dafür zugelassene und entsprechend gekennzeichnete Verlängerungskabel!

#### **Seien Sie stets aufmerksam!**

- Beobachten Sie Ihre Arbeit. Gehen Sie vernünftig vor. Verwenden Sie das Gerät nicht, wenn Sie nicht aufmerksam sind.

#### **Kontrollieren Sie Ihr Gerät auf Beschädigungen!**

- Vor weiterem Gebrauch des Geräts alle Sicherheitsvorrichtungen sorgfältig auf ihre einwandfreie Funktionsweise und eventuelle Beschädigungen kontrollieren. Überprüfen Sie, ob alle bewegliche Teile richtig funktionieren, nicht klemmen und nicht beschädigt sind. Um den einwandfreien Betrieb des Gerätes zu gewährleisten, müssen sämtliche Teile richtig montiert sein und alle Bedingungen erfüllen.
- Beschädigte Sicherheitsvorrichtungen und Teile sollen sachgemäß durch eine Kundendienstwerkstatt ersetzt werden, soweit nichts anderes in den Betriebsanleitungen angegeben ist.
- Beschädigte Schalter müssen von einer Kundendienstwerkstatt ersetzt werden.
- Benützen Sie kein Gerät, dessen Schalter es weder ein- noch ausschaltet.

#### **Achtung!**

- Zu Ihrer eigenen Sicherheit, benützen Sie nur den Zubehör, der in der Bedienungsanleitung oder in den dazu bestimmten Katalogen angegeben wird. Die Anwendung anderer als der in der Bedienungsanleitung oder im Katalog empfohlenen Werkzeuge oder Zubehöre kann Verletzungsgefahr für Sie bedeuten.

#### **Lassen Sie Ihre Werkzeuge ausschließlich vom Fachpersonal reparieren!**

- Dieses Elektrogerät entspricht den geltenden Sicherheitsbestimmungen. Reparaturen dürfen nur von Fachleuten ausgeführt werden, die Originalersatzteile benutzen; andernfalls könnten schwere Unfälle für den Benutzer entstehen.

## Dati tecnici

Alimentazione: 115V 50Hz.~ 230V 50Hz.~

Potenza max. assorbita: 1200W

Potenza max. resa: 750W

Condensatore (230V~50Hz.): 20  $\mu$ F

Condensatore (115V~50Hz.): 85  $\mu$ F

Peso: 25 Kg.

Capacità secchio: 50 Kg.

### Tipo di funzionamento consentito:

SERVIZIO S1  
carico continuo

Velocità di rotazione: 55 min-1

Grado IP: 44

### Uso consigliato:

ADESIVI PER PIASTRELLE, CEMENTO, VERNICI,  
RESINE EPOSSIDICHE.

  **ATTENZIONE!**

Il rumore emesso da queste macchine è stato misurato secondo la norma ISO3745-77.

Lw 76,6 [dBW(A)]

Lw 62,7 [dB(A)]

## 1. Impiego

 **ATTENZIONE!**

Prima di ogni impiego leggere attentamente il capitolo relativo alla sicurezza.

Ogni macchina è stata sottoposta ad una serie di collaudi ed è stata minuziosamente controllata prima di lasciare la nostra fabbrica. La BELLE lavora costantemente per lo sviluppo delle sue macchine; perciò si riserva di apportare modifiche. Non potranno quindi essere vantati diritti sui dati e sulle illustrazioni di questo manuale.

Il TUBMIX è una macchina adatta per mescolare adesivi per piastrelle, cemento, vernici, resine epossidiche.

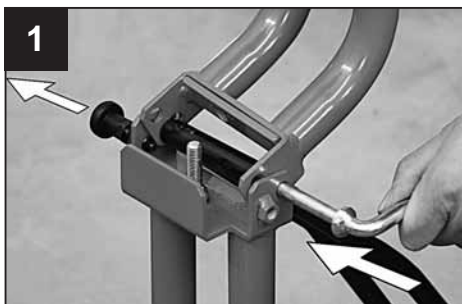
## 2. Precauzioni

- Il costruttore declina ogni responsabilità per l'impiego del TUBMIX con utensili diversi e con materiali non specificati nel paragrafo "USO CONSIGLIATO".
- Il TUBMIX è costruito per operare esclusivamente nelle condizioni di tipo di funzionamento consentito.
- Durante l'uso, con la frusta in rotazione, non inserite corpi estranei o utensili nel secchio.

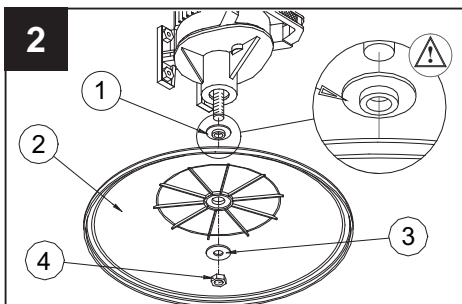
## 3. Installazione

Disponete il telaio superiore ed il manico di trasporto come indicato in foto 1.

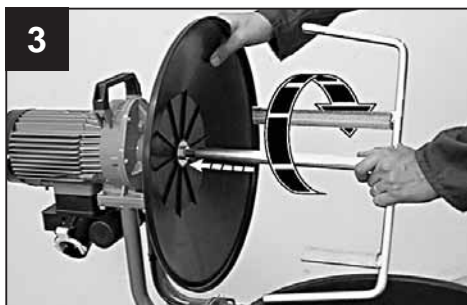
Inserire il perno di collegamento assicurandolo con la clips di sicurezza, facendo attenzione al blocco meccanico.



Inserite i componenti in sequenza come indicato in figura 2, bloccando il tutto con la chiave esagonale da 22 mm. in dotazione.



Avvitate fino in fondo la frusta sul corpo motore.  
Il bloccaggio definitivo avverrà alla messa in moto della macchina.



Inserite il secchio nel telaio inferiore avendo cura di alloggiare una delle quattro maniglie di trasporto nella linguetta metallica predisposta.  
In questo modo si eviterà la rotazione del secchio durante la miscelazione del prodotto.



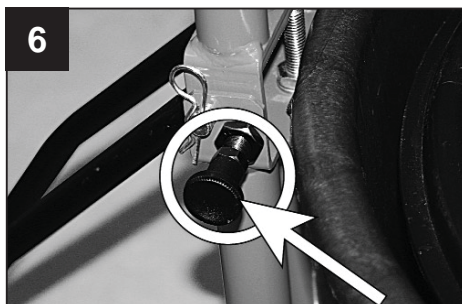
Inserite la frusta e disponetela come in foto 5.  
Abbassare la testa motore in posizione di lavoro.



**ATTENZIONE!**

**ASSICURARSI CHE A MACCHINA CHIUSA IL MECCANISMO DI BLOCCAGGIO SIA IN POSIZIONE DI BLOCCO (foto 6).**

A questo punto il TUBMIX è pronto per l'uso.



#### 4. Estrazione del secchio

A miscelazione ultimata spegnere la macchina.  
Posizionare la frusta all'interno del secchio come indicato in foto 5.

La macchina è progettata per permettere l'apertura della testa motore solo in tale posizione della frusta. Con una mano mantenere disimpegnato il meccanismo di bloccaggio e con l'altra alzare la testa motore come indicato in foto 7.



**ATTENZIONE!**

È assolutamente necessario che la protezione in plastica non venga mai rimossa dalla macchina. Essa assolve infatti alla protezione antinfortunistica della frusta prevista dalla legge.

## 5. Trasporto

La macchina è facilmente trasportabile. Sollevate la maniglia e trasportate la macchina tramite le ruote, come indicato nella foto 8.



## 6. Allacciamento alla rete elettrica

La macchina deve essere collegata alla rete elettrica tramite un interruttore differenziale o un trasformatore di isolamento in classe II, avente le caratteristiche seguenti:

	Differenziale	Trasformatore
230V	In 10 A Id 20 mA	230 V 50 Hz 1500 W Servizio continuo
115V	In 20 A Id 20 mA	115 V 50 Hz 1500 W Servizio continuo

**N.B. Per la corretta utilizzazione degli interruttori differenziali non bisogna dimenticare il periodico controllo della loro efficienza, attuabile tramite l'apposito pulsante posto sul frontale del dispositivo stesso.**

Prima di collegare la macchina alla presa di corrente, assicuratevi che il voltaggio della linea sia lo stesso di quello indicato sulla targhetta della macchina. Collegare la macchina solo ad una linea con cavo di messa a terra efficiente. In caso di dubbio, non collegare la macchina.



### INFORMAZIONI

A testa motore sollevata un interruttore di sicurezza automatico non permette il funzionamento del motore.

**IL MOTORE PUÒ ESSERE AVVIATO SOLO CON LA FRUSTA IN POSIZIONE DI LAVORO DENTRO IL SECCHIO.**

Il TUBMIX è dotato di protezione termica a riarmo manuale. Essa interviene in caso di bloccaggio della frusta. In caso di bloccaggio, prima di riarmare il protettore, scollegate la macchina dalla rete elettrica e svuotare parzialmente il secchio.



## 7. Preparazione dell'impasto

Per procedere con la preparazione dell'impasto:

- Avviate la macchina sempre a vuoto.
- In base al tipo di componente che si vuole utilizzare procedete come segue:



**ATTENZIONE!**

### Colla per piastrelle per pavimenti e rivestimenti

- A) Leggete attentamente le istruzioni scritte sul sacco della colla che state per utilizzare.
- B) Versate nel secchio tutta l'acqua che serve per preparare la quantità di colla come indicato dal produttore.
- C) Accendete il TUBMIX 50, quindi versate il primo sacco da 25 Kg. di polvere ad una velocità di 10Kg. per minuto, direttamente sulla protezione in plastica, la quale provvederà a centrifugarla per una corretta miscelazione. Procedete in questa operazione in modo continuo ed uniforme con il secondo sacco da 25 Kg, poi attendete la completa miscelazione del prodotto fino ad ora versato, in questo modo non si avranno grumi nell'impasto.

- Se necessario, far riposare la colla da 5 a 15 minuti e provvedete ad una successiva miscelazione per qualche minuto. La macchina, come indicato nei paragrafi precedenti è trasportabile direttamente sul luogo d'uso della colla.

### Cemento

- Il miscelatore è adatto alla preparazione di malte da intonaco composte da calce, cemento e inerti a pezzatura fine. Non è adatto alla miscelazione di calcestruzzo o di malte comprendenti ghiaia o inerti a pezzatura medio- grossa.
- Per la preparazione di malte per intonaco, si procede come al paragrafo precedente: colla per piastrelle.
- Essendo la malta una preparazione fortemente igroscopica, porre molta attenzione all'aggiunta di calce, cemento o inerti alla fine della miscelazione, per prevenire un eccessivo indurimento del composto.

### Resine epossidiche

- Per la miscelazione di resine epossidiche, verificate la viscosità ed il peso specifico dei prodotti da preparare, al fine di non sovraccaricare il gruppo motore del mescolatore.
- Versare nel secchio le quantità di resina, indurente ed eventualmente polveri indicate dal fornitore dei prodotti.
- Mescolate con cura per prevenire bolle o grumi nella preparazione.

### Vernici

- Versate la vernice da miscelare nel secchio del mescolatore ed aggiungete la necessaria quantità d'acqua utile alla soluzione.

 **ATTENZIONE!**

- ! **L'uso di prodotti chimici o solventi, potrebbe alterare le caratteristiche del secchio, realizzato in polietilene ad alta densità PET.**
- ! **Verificate, prima dell'uso, la compatibilità dei prodotti da miscelare con le caratteristiche della macchina.**

## 8. Manutenzione

Il riduttore della macchina è lubrificato con grasso sintetico di tipo semifluido adatto per la lubrificazione di ingranaggi in carter. In caso di sostituzione, usate un prodotto con caratteristiche simili qui riportate:

<b>Grado NLGI</b>	<b>0</b>
<b>Punto di goccia, °C</b>	<b>115</b>
<b>Addensante</b>	<b>SAPONI SODIO</b>

 **ATTENZIONE!**

**Per la sostituzione del grasso di lubrificazione, rivolgersi al rivenditore di fiducia.**

## 9. Smaltimento

- In caso di deterioramento del secchio della macchina, esso andrà smaltito secondo i modi indicati dalla legislazione vigente.
- In caso di rottamazione dell'intera macchina, essa andrà smaltita secondo i modi indicati dalla legislazione vigente.

### **Motore elettrico**

Alluminio	AL
Acciaio	AC
Rame	CU
Poliammide	PA

### **Telaio macchina**

Acciaio	AC
Poliammide	PA

### **Secchio**

Polietilene	PET
-------------	-----

## 10. Localizzazione guasti

**L'UTENSILE DEVE ESSERE RIPARATO DA PERSONALE QUALIFICATO.**

**Questo utensile elettrico è conforme alle relative norme di sicurezza. Le riparazioni devono essere eseguite solo da personale qualificato che utilizzi parti di ricambio originali, altrimenti ciò può provocare un considerevole pericolo per l'utilizzatore.**

Problema	Causa	Rimedio
La macchina non funziona	Il cavo di alimentazione è mal collegato o danneggiato	Spingete a fondo la spina nella presa, verificate il cavo di alimentazione
	Non c'è tensione alla presa di corrente	Verificate o fare verificare la presa di corrente.
	Il protettore termico è intervenuto.	Staccate il cavo di alimentazione dalla presa di corrente e riarmate il protettore termico. Nel caso che non si riarmi, attendete qualche minuto per farlo raffreddare.
	L'interruttore di sicurezza interno si è danneggiato.	Rivolgersi al rivenditore di fiducia.
La macchina parte con difficoltà	Impasto da mescolare troppo duro.	Togliete parte del materiale dal secchio e provate di fare ripartire la macchina.
	La frusta incontra qualche ostacolo durante la rotazione (sassi o materiale raggrumato).	Rimuovete i sassi troppo grossi o il materiale raggrumato. Procedete come al rimedio precedente.
	Il condensatore di avviamento è danneggiato.	Rivolgetevi al rivenditore di fiducia.
	Cuscinetti o boccole danneggiate nel riduttore della macchina.	Rivolgetevi al rivenditore di fiducia.
Rumore insolito proveniente dal riduttore della macchina	Riduttore danneggiato.	Fermate subito la macchina e rivolgetevi al rivenditore di fiducia.



## **INDICAZIONI PER LA SICUREZZA**

**Attenzione!** Con l'impiego di apparecchi elettrici e per prevenire contatti di corrente elettrica, ferimenti e pericolo di incendio, devono sempre essere osservate le seguenti indicazioni di sicurezza. Legga e osservi tali indicazioni prima di utilizzare l'apparecchio e conservi bene le presenti norme !

### **CONSERVI CON CURA QUESTE ISTRUZIONI**

#### **Tenga bene in ordine il Suo posto di lavoro.**

- Disordine sul posto di lavoro comporta pericolo.

#### **Tenga conto delle condizioni ambientali.**

- Non esponga l'apparecchio alla pioggia.
- Non utilizzi l'apparecchio in ambienti umidi o bagnati. Abbia cura di una buona illuminazione
- Non utilizzi l'apparecchio nella vicinanza di liquidi infiammabili o di gas.

#### **Si salvaguardi da elettrificazione.**

- Eviti contatti con oggetti con messa a terra.

#### **Tenga lontano i bambini !**

- Non lasci toccare il cavo o l'apparecchio a terze persone, le tenga lontane dal campo di lavoro.

#### **Conservi il suo apparecchio In modo sicuro.**

- Apparecchi non in uso dovrebbero essere conservati in luoghi asciutti e sicuri ed in modo da non essere accessibili ai bambini.

#### **Non sovraccarichi il suo apparecchio.**

- Lavorerà meglio e più sicuro nell'ambito della potenza di targa.

#### **Utilizzi l'apparecchio adatto.**

- Non usi apparecchi deboli di potenza oppure accessori che richiedono potenza elevata. Non usi l'apparecchio per scopi e lavori per i quali essi non sono destinati.

#### **Si vesta in modo adeguato.**

- Per lavori all'aria aperta si raccomanda di portare guanti in gomma e scarpe tali da non poter scivolare. Con capelli lunghi usare apposita rete. Usi occhiali di sicurezza.
- Effettuando lavori che producono polvere, usi una maschera.

#### **Eviti errati impieghi del cavo.**

- Non sollevi l'apparecchio dalla parte del cavo e non lo utilizzi per staccare la spina dalla presa.
- Salvaguardi il cavo da elevate temperature, olio e spigoli taglienti.

#### **Eviti posizioni malsicure.**

- Abbia cura di trovarsi in posizione sicura e mantenga sempre l'equilibrio.

#### **Curi attentamente i Suoi utensili.**

- Per lavorare bene e sicuro mantenga i Suoi

utensili ben affilati e puliti.

- Segua le prescrizioni di assistenza e le indicazioni del cambio degli utensili di consumo. Controlli regolarmente il cavo ed in caso di danni, lo faccia sostituire da uno specialista riconosciuto. Controlli regolarmente i cavi di prolungamento e li sostituisca qualora danneggiati. Le impugnature devono essere asciutte e prive di olio e grasso.

#### **Stacchi la spina dalla presa:**

- Non utilizzando l'apparecchio, prima di effettuare riparazioni e cambio di utensili di consumo.
- Non lasci sull'apparecchio chiavi di servizio.
- Prima di mettere l'apparecchio in funzione, controlli che tutte le chiavi ed utensili di aggiustamento siano state tolte.

#### **Eviti avviamenti accidentali.**

- Allacciando l'apparecchio alla rete elettrica si assicuri che l'interruttore sia disinserito.

#### **Cavi di prolungamento all'aria aperta.**

- All'aria aperta utilizzi solo cavi di prolungamento appositamente ammessi e contrassegnati.

#### **Stia sempre attento.**

- Osservi il Suo lavoro. Sia ragionevole, non usi l'apparecchio quando è distratto.

#### **Controlli che l'apparecchio non sia danneggiato.**

- Prima di usare l'apparecchio Lei deve controllare attentamente l'efficienza e il perfetto funzionamento dei dispositivi di sicurezza e parti eventualmente danneggiate. Controlli il funzionamento delle parti mobili, che non siano bloccate, che non vi siano parti rotte, se tutte le altre parti sono state montate in modo giusto e che tutte le altre condizioni che potrebbero influenzare il regolare funzionamento dell'apparecchio siano ottimali.
- Dispositivi di sicurezza o parti danneggiate devono essere riparati o sostituiti a regola d'arte tramite un Centro Assistenza qualora nelle istruzioni d'uso non siano date indicazioni diverse.
- Interruttori danneggiati devono essere sostituiti da un Centro Assistenza.
- Non usi apparecchi con interruttore che non possa essere inserito e disinserito.

#### **Attenzione.**

- Per la Sua propria sicurezza usi solo accessori riportati nelle istruzioni d'uso o offerti negli appositi cataloghi. L'uso di accessori o utensili di consumo diversi e comunque non raccomandati nelle istruzioni d'uso o catalogo, possono significare per Lei pericolo di ferimento.

#### **Far riparare gli utensili da personale qualificato.**

- Questo apparecchio elettrico è conforme alle vigenti norme di sicurezza. Le riparazioni devono essere eseguite esclusivamente da persone qualificate usando parti di ricambio originali, altrimenti ne potrebbero derivare considerevoli danni per l'utilizzatore.

## Технические характеристики

Источник питания: ~115 В, 50 Гц. ~230 В, 50 Гц.

Потребляемая мощность, не более: 1200 Вт

Активная мощность, не более: 750 Вт

Конденсатор (~230 В, 50 Гц): 20 мкФ

Конденсатор (~115 В, 50 Гц): 85 мкФ

Вес: 25 кг

Емкость корзины: 50 кг

### Допустимая работа:

S1  
непрерывная нагрузка

Скорость вращения: 55 min<sup>-1</sup>

Степень защиты: 44

### Рекомендуемое использование:

ПЛИТОЧНЫЙ КЛЕЙ, ЦЕМЕНТ, ШПАКЛЕВКА,  
КРАСКА, ЛАК И ЭПОКСИДНЫЕ СМОЛЫ.



Уровень шума во время работы устройства отвечает требованиям стандарта ISO3745-77.

L<sub>w</sub> 76,6 [дБВТ(А)]

L<sub>w</sub> 62,7 [дБВТ(А)]

## 1. Эксплуатация



Перед эксплуатацией устройства следует внимательно ознакомиться с инструкцией по технике безопасности.

Все устройства тщательно испытаны и проверены перед отправкой с завода. BELLE старается постоянно улучшать производимые устройства, поэтому компания вправе вносить изменения в свои изделия. Претензии в отношении информации и изображений в этом руководстве не принимаются.

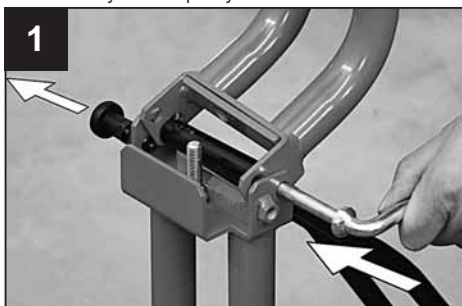
TUBMIX — смеситель для плиточного клея, цемента, шпаклевки, краски, лака и эпоксидных смол.

## 2. Меры предосторожности

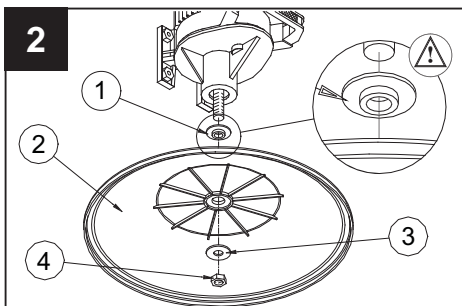
- Производитель не несет ответственности за эксплуатацию TUBMIX с неоригинальными инструментами и материалами, не указанными в разделе «Рекомендуемое использование».
- TUBMIX предназначен для эксплуатации исключительно в указанных допустимых условиях.
- Запрещается помещать посторонние предметы или инструменты в бак во время работы смесителя и вращения мешалки.

## 3. Монтаж

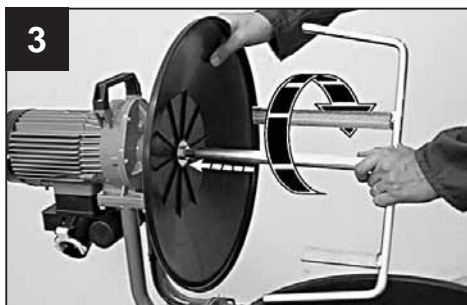
Собрать верхнюю раму и транспортировочную ручку, как показано на рис. 1. Вставить соединительный штифт и зафиксировать его предохранительной скобой, учитывая механическую блокировку.



Вставить все детали в порядке, указанном на рис. 2, и зафиксировать все шестигранным ключом 22 мм из комплекта поставки.



Навинтить мешалку до упора на вал электромотора. Полностью эта деталь затянется во время смешивания



Вставить бак в нижнюю раму, чтобы одна из транспортировочных ручек вошла в металлический выступ. Это будет препятствовать вращению корзины при смешивании.

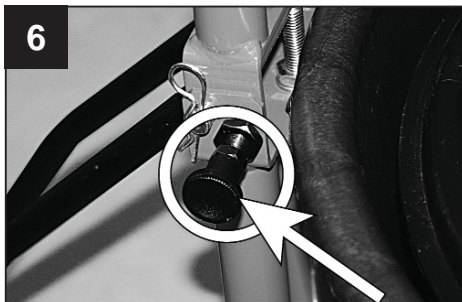


Вставить мешалку, как показано на рис. 5. Опустить головку двигателя в рабочее положение.



**ВНИМАНИЕ!**

**УБЕДИТЬСЯ, ЧТО СТОПОРНЫЙ МЕХАНИЗМ НАХОДИТСЯ В ЗАКРЫТОМ ПОЛОЖЕНИИ, КОГДА СМЕСИТЕЛЬ ЗАКРЫТ (рис. 6).**  
TUBMIX готов к использованию.



#### 4. Демонтаж корзины

По завершении смешивания выключить TUBMIX. Мешалка должна находиться в баке в положении, показанном на рис. 5. TUBMIX открывается только при указанном положении мешалки. Одной рукой расцепить стопорный механизм, а другой поднять головку двигателя, как показано на рис. 7.



**ВНИМАНИЕ!**

Снять пластмассовый защитный экран. Это предохранительное устройство, предусмотренное законом для предотвращения несчастных случаев.

## 5. Транспортировка

Устройство можно легко перемещать. Для этого достаточно поднять ручку и перемещать устройство на колесах, как показано на рис. 8.



## 6. Подключение к источнику питания

Убедиться, что устройство выключено, перед тем как вставить вилку в розетку.

Устройство подключается к электросети через автоматический выключатель дифференциального тока (АВДТ) или развязывающий трансформатор класса II, имеющий следующие характеристики:

	АВДТ	Трансформатор
230V	In 10 A Id 20 mA	230 V 50 Hz 1500 W Непрерывная работа
115V	In 20 A Id 20 mA	115 V 50 Hz 1500 W Непрерывная работа

**Примечание.** Для правильной работы устройства следует периодически проверять исправность АВДТ нажатием кнопки на его передней стороне.

Перед подключением устройства к источнику питания следует убедиться, что напряжение в электросети соответствует указанному на паспортной табличке устройства. Устройство должно быть подключено к надежному проводу заземления. В случае сомнений не следует подключать устройство к электросети.

### **i** ИНФОРМАЦИЯ

При поднятии мешалки из смесительного бака срабатывает автоматический аварийный выключатель, предотвращающий вращение электромотора.

**ЭЛЕКТРОМОТОР ДОЛЖЕН РАБОТАТЬ ТОЛЬКО В ПОЛОЖЕНИИ СМЕШИВАНИЯ, КОГДА МЕШАЛКА НАХОДИТСЯ В СМЕСИТЕЛЬНОМ БАКЕ.**

TUBMIX также оснащен защитой от перегрева с ручным сбросом. Защита срабатывает в случае заедания мешалки. В случае заедания следует вынуть вилку из розетки, частично разгрузить смесительный бак и лишь после этого сбросить защиту от перегрева.



## 7. Приготовление смеси

Порядок приготовления смеси:

- Следует запускать только пустой смеситель.
- Выполнить следующие действия согласно смешиваемому материалу.



**ВНИМАНИЕ!**

### Клей для напольной и настенной плитки

- Внимательно ознакомиться с инструкцией на упаковке с клеем.
- Влить в бак количество воды, необходимое для приготовления требуемого количества клея, следуя инструкции производителя.
- Запустить TUBMIX 50, засыпать первые 25 кг порошка при скорости 10 кг/мин прямо на пластмассовую защиту, что поможет центрифугировать материал для получения требуемой смеси. Продолжить смешивание в непрерывном и неизменном режиме после добавления второго мешка (25 кг) и дождаться хорошего смешения раствора. Это позволит избежать образования комков.

- При необходимости следует оставить клей в покое на 5—15 минут, а затем продолжить смешивание еще на несколько минут. Затем следует перевести смеситель в место, где требуется клей.

#### Цемент

- Смеситель подходит для приготовления раствора, содержащего известь, цемент, гипс и мелкий щебеночный заполнитель. Он не подходит для смешивания раствора, содержащего щебень или заполнитель средней фракции.
- Раствор для шпаклевки готовится, как клей для напольной и настенной плитки.
- Поскольку шпаклевка очень гигроскопична, следует очень осторожно добавлять известь, цемент, гипс или заполнители в конце приготовления раствора.

#### Эпоксидные смолы

- Перед смешиванием эпоксидных смол следует проверить их вязкость и плотность, чтобы не перегрузить электромотор смесителя.
- Следует добавить в бак смолу, отвердитель и порошкообразные материалы согласно рецепту производителя.
- Тщательно смешать ингредиенты, не допуская образования пузырей и комков.

#### Краски

- Залить краску в барабан и добавить требуемое количество воды.



- ! **Использование химических веществ или растворителей может повлиять на свойства бака, изготовленного из полиэтилена высокой плотности ПЭТ.**
- ! **Перед использованием смесителя следует проверить совместимость смешиваемых материалов со свойствами смесителя.**

## 8. Техническое обслуживание

Редуктор устройства смазывается полужидкой синтетической смазкой, предназначенной для смазки закрытых зубчатых передач в корпусе. При замене смазки используются изделия со следующими характеристиками:

**Категория NLGI:** 0  
**Температура каплепадения:** 115 °C  
**загуститель** Натриевые мыла



**Для замены смазки обратитесь к местному дилеру.**

## 9. Утилизация

- Изношенный или поврежденный бак утилизируется согласно действующему законодательству.
- Списанный смеситель утилизируется согласно действующему законодательству.

#### **Электромотор**

Алюминий	AL
Сталь	AC
Медь	CU
Полиамид	PA

#### **Каркас устройства**

Сталь	AC
Полиамид	PA

#### **Бак**

Полиэтилен	PET
------------	-----

**10. Устранение неисправностей**

**РЕМОНТИРОВАТЬ ИНСТРУМЕНТ ДОЛЖЕН ТОЛЬКО КВАЛИФИЦИРОВАННЫЙ ПЕРСОНАЛ**

*Этот инструмент с электроприводом отвечает соответствующим правилам техники безопасности. Выполнять ремонт только квалифицированный персонал с помощью оригинальных запасных частей, в противном случае возможны серьезные травмы оператора.*

Неисправность	Причина	Решение
Устройство не работает.	Кабель питания поврежден или неправильно подключен.	Полностью вставить вилку в розетку.
	Нет напряжения в розетке.	Проверить розетку.
	Сработала тепловая защита.	Вынуть вилку из розетки и сбросить тепловую защиту. Если это невозможно, дать ей остыть в течение нескольких минут.
Тяжело запустить устройство	Поврежден внутренний аварийный выключатель.	Проконсультироваться у дилера.
	Слишком твердая смесь.	Убрать часть смеси из бака, затем попытаться запустить смеситель.
	Мешалка сталкивается с препятствиями при вращении (камни или комки).	Убрать большие камни или комки. Выполнить указанные выше действия.
	Поврежден пусковой конденсатор.	Проконсультироваться у дилера.
Необычный шум из редуктора.	Повреждены подшипники или втулки редуктора.	Проконсультироваться у дилера.
	Редуктор поврежден.	Немедленно выключить устройство и обратиться к местному дилеру.

## ИНСТРУКЦИЯ ПО ТЕХНИКЕ БЕЗОПАСНОСТИ

**Осторожно!** При использовании электроинструмента следует обязательно соблюдать меры предосторожности для снижения риска пожара, поражения электрическим током или травм. Перед эксплуатацией этого устройства следует прочесть и соблюдать следующие указания, а также бережно хранить их!

### СЛЕДУЕТ БЕРЕЖНО ХРАНИТЬ ЭТУ ИНСТРУКЦИЮ

#### **Содержать рабочий участок в идеальной чистоте**

- Беспорядок на рабочем месте приводит к травмам.

#### **Учитывать условия эксплуатации**

- Не подвергать инструмент воздействию дождя.
- Не использовать инструмент во влажных или сырых местах. Обеспечить хорошее освещение рабочего участка.
- Не использовать инструмент рядом с воспламеняющимися жидкостями или газами.

#### **Использовать защиту от поражения электрическим током**

- Не прикасаться к заземленным поверхностям.

#### **Не подпускать детей к устройству!**

- Не разрешать посторонним касаться инструмента или удлинительного кабеля. Вход на рабочий участок посторонним воспрещен.

#### **Хранить инструмент в безопасном месте**

- Неиспользуемый инструмент должен храниться в сухом и безопасном месте, недоступном для детей.

#### **Не перегружать инструмент**

- Он будет работать лучше с производительностью, на которую рассчитан.

#### **Использовать правильный инструмент**

- Не использовать маломощный инструмент для выполнения работ, выполняемых инструментом большой мощности. Использовать инструмент только по назначению.

#### **Работать в правильной одежде**

- Выполнять работы вне помещения рекомендуется в резиновых перчатках и обуви с нескользящей подошвой. Длинные волосы следует убирать под головной убор.
- Использовать защитные очки.
- Работать в маске при выполнении пыльных работ.

#### **Обращаться с кабелем осторожно**

- Не носить инструмент за кабель и не выдергивать кабель из розетки.
- Оберегать кабель от воздействия высоких температур, масла и острых краев.

#### **Избегать неустойчивых положений**

- Работать только в безопасном и устойчивом положении.

#### **Ухаживать за инструментом**

- Затачивать и очищать инструмент для лучшей и более безопасной работы.

- Изнашиваемые детали заменяются согласно рекомендациям и указаниям по техническому обслуживанию. Периодически проверять кабели инструмента и, при выявлении повреждений, сдавать на ремонт квалифицированному специалисту.
- Периодически проверять удлинительные кабели и заменять при выявлении повреждений. Рукоятки должны быть сухими, чистыми и не замасленными.

#### **Отсоединять инструмент**

- Когда он не используется, перед обслуживанием и при замене изнашиваемых деталей.

#### **Внимать сервисные ключи из инструмента**

- Выработать привычку проверять, убраны ли сервисные и регулировочные ключи из инструмента, перед его включением.

#### **Избегать непреднамеренного включения**

- Убедиться, что переключатель в выключенном положении, перед подключением инструмента к электросети.

#### **Удлинительные кабели для работ вне помещения**

- При эксплуатации инструмента вне помещения следует использовать предназначенные для таких условий удлинительные кабели с соответствующей маркировкой.

#### **Соблюдать бдительность**

- Внимательно выполнять все действия. Руководствоваться здравым смыслом. Не эксплуатировать инструмент небрежно.

#### **Проверить инструмент для выявления поврежденных деталей**

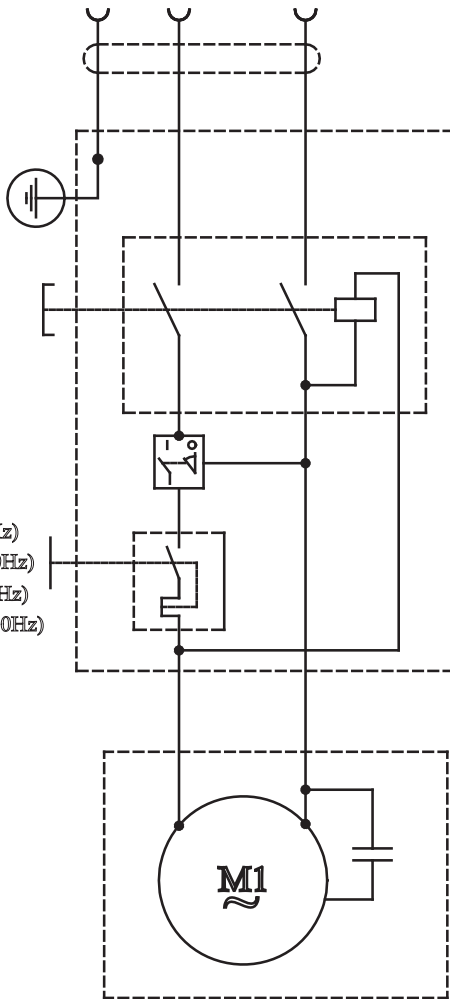
- Перед дальнейшим использованием инструмента следует осмотреть его и защитные устройства для выявления повреждений и проверить их исправность. Проверить работу и сцепление подвижных частей, состояние деталей, правильность монтажа и другие условия, способные повлиять на работу инструмента.
- Поврежденные защитные устройства и другие детали следует отремонтировать или заменить в официальном сервисном центре, если в инструкции по эксплуатации не указано иное.
- Заменять неисправные выключатели в официальном сервисном центре.
- Не использовать инструмент с неработающим выключателем.

#### **Осторожно!**

- В целях личной безопасности следует использовать дополнительное оборудование, рекомендуемое в этом руководстве или соответствующих каталогах. Использование другого дополнительного или вспомогательного оборудования, не указанного в этом руководстве или соответствующих каталогах, сопряжено с риском травм.

#### **Ремонтировать инструмент должен квалифицированный персонал**

- Этот электрический прибор отвечает действующим правилам техники безопасности. Ремонтировать электрический прибор должны только квалифицированные специалисты, иначе существует большая опасность для пользователя.



5A (025) (230V 50Hz)  
 7A (050S) (230V 50Hz)  
 10A (025) (115V 50Hz)  
 15A (050S) (115V 50Hz)

230V 50Hz	115V 50Hz
20 $\mu$ F (050S)	85 $\mu$ F (050S)
16 $\mu$ F (025)	70 $\mu$ F (025)
400VL	400VL

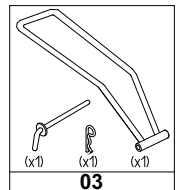
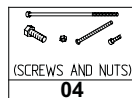
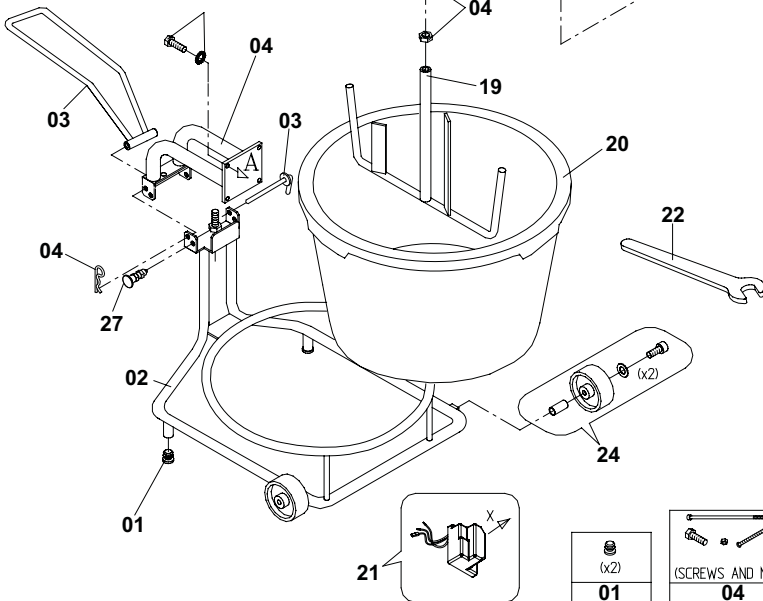
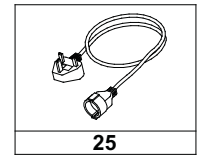
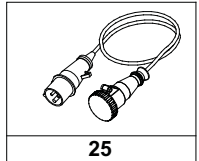
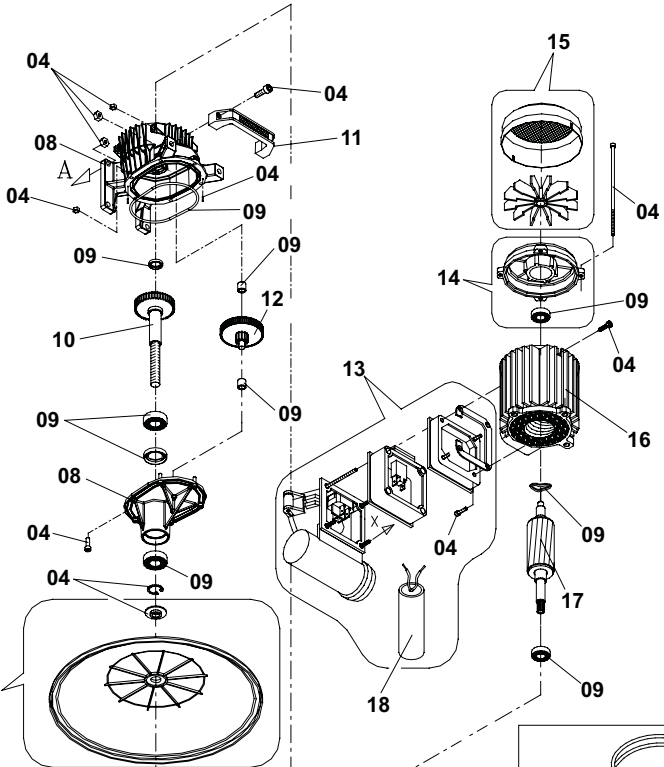
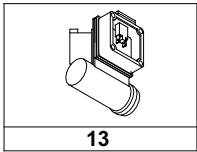
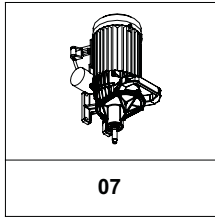
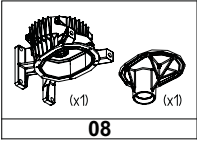
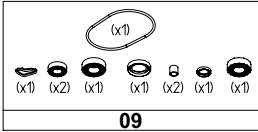
0,5 KW (MOD. 025)  
 0,75 KW (MOD. 050S)

150304BE





# Tubmix 50



# Tubmix 50

ITEM NUMBER <sup>(1)</sup>	PART NUMBER <sup>(2)</sup>	DESCRIPTION <sup>(3)</sup>	QUANTITY <sup>(4)</sup>
1	163.0.082	Bung (Pair)	1
2	163.0.089	Main Frame	1
3	163.0.074	Handle Complete	1
4	163.0.076	Fastener Kit	1
5	163.0.072	Tilt Frame	1
6	163.0.077	Plastic Protection Shield	1
7	163.0.090	Motor Gearbox Complete (220v - 50Hz)	1
7	163.0.091	Motor Gearbox Complete (115v - 50Hz)	1
8	163.0.080	Gearbox Casing	1
9	163.0.081	Bearing & Gasket Kit	1
10	163.0.079	Gear	1
11	156.0.255	Handle	1
12	163.0.087	Gear	1
13	163.0.092	Socket c/w Switch & Thermal Protection (220v - 50Hz)	1
13	163.0.093	Socket c/w Switch & Thermal Protection (115v - 50Hz)	1
14	163.0.067	Fan Shroud	1
15	163.0.084	Cooling Fan & Cover	1
16	163.0.068	Stator (220v - 50Hz)	1
16	163.0.069	Stator (115v - 50Hz)	1
17	163.0.070	Rotor (220v - 50Hz)	1
18	163.0.083	Capacitor (220v - 50Hz)	1
18	156.0.275	Capacitor (115v - 50Hz)	1
19	163.0.066	Mixing Blade	1
20	163.0.071	Mixing Tub	1
21	163.0.085	Cut-Out Switch	1
22	163.0.073	Spanner	1
24	163.0.088	Wheel Kit	1
25	163.0.075	Plug & Cable (115v - 50Hz)	1
25	163.0.078	Plug & Cable (230v - 50Hz)	1
27	163.0.086	Plunger	1



**ALTRAD Belle Head Office**

Sheen, Nr. Buxton  
Derbyshire.  
SK17 OEU  
England

Tel: +44 (0)1298 84606

Fax: +44 (0)1298 84722

email: [sales@belle-group.co.uk](mailto:sales@belle-group.co.uk)

[www.ALTRAD-Belle.com](http://www.ALTRAD-Belle.com)

[www.Belle247.com](http://www.Belle247.com)

No.1 for Light Construction Equipment, Scaffolding, Wheelbarrows

[www.ALTRAD-Belle.com](http://www.ALTRAD-Belle.com)

