

Operator's Manual

Vibroplate WP 1540A WP 1540AW



5000190153	16	0811
------------	----	------



5 0 0 0 1 9 0 1 5 3

Copyright notice

© Copyright 2011 by Wacker Neuson Corporation.

All rights, including copying and distribution rights, are reserved.

This publication may be photocopied by the original purchaser of the machine. Any other type of reproduction is prohibited without express written permission from Wacker Neuson Corporation.

Any type of reproduction or distribution not authorized by Wacker Neuson Corporation represents an infringement of valid copyrights. Violators will be prosecuted.

Trademarks

All trademarks referenced in this manual are the property of their respective owners.

Manufacturer

Wacker Neuson Manila Incorporated

Lot 2,Blk 1 Phase , PEZA Drive, First Cavite Industrial Estate, Brgy. Langkaan
Dasmariñas, Cavite, Philippines

Tel: +63-(0)2-580-7136 Fax: +63-(0)2-580-712

www.wackerneuson.com

Translated instructions

This Operator's Manual presents a translation of the original instructions. The original language of this Operator's Manual is American English.

Foreword	3
1. Emission System Control Information	4
2. Safety Information	5
2.1 Laws Pertaining to Spark Arresters	5
2.2 Operating Safety	6
2.3 Operator Safety while using Internal Combustion Engines	7
2.4 Service Safety	8
2.5 Label Locations	9
2.6 Warning and Informational Labels	10
2.7 Operating Labels	13
3. Technical Data	15
3.1 Engine Data	15
3.2 Machine Data	16
3.3 Sound and Vibration Specifications	16
3.4 Dimensions	17
4. Operation	18
4.1 Recommended Fuel	18
4.2 Before Starting	18
4.3 To Start	19
4.4 To Stop	19
4.5 Application	20
4.6 Operation	21
4.7 Wheel Kit (0162986)	22

5.	Maintenance	23
5.1	Periodic Maintenance Schedule	23
5.2	Cleaning Plate	25
5.3	Drive Belt	25
5.4	Exciter Lubrication	26
5.5	Spark Plug	27
5.6	Engine Oil	28
5.7	Air Cleaner	29
5.8	Cleaning Sediment Cup	30
5.9	Adjusting Engine Speed	30
5.10	Carburetor Adjustment	31
5.11	Troubleshooting	32
5.12	Storage	33
5.13	Lifting Machine	34
5.14	Transporting Machine	35

CALIFORNIA

Proposition 65 Warning:



Engine exhaust, some of its constituents, and certain vehicle components, contain or emit chemicals known to the State of California to cause cancer and birth defects or other reproductive harm.

Foreword

This manual provides information and procedures to safely operate and maintain this Wacker Neuson model. For your own safety and protection from injury, carefully read, understand and observe the safety instructions described in this manual.

Keep this manual or a copy of it with the machine. If you lose this manual or need an additional copy, please contact Wacker Neuson Corporation. This machine is built with user safety in mind; however, it can present hazards if improperly operated and serviced. Follow operating instructions carefully! If you have questions about operating or servicing this equipment, please contact Wacker Neuson Corporation.

The information contained in this manual was based on machines in production at the time of publication. Wacker Neuson Corporation reserves the right to change any portion of this information without notice.

All rights, especially copying and distribution rights, are reserved.

Copyright 2011 by Wacker Neuson Corporation.

No part of this publication may be reproduced in any form or by any means, electronic or mechanical, including photocopying, without express written permission from Wacker Neuson Corporation.

Any type of reproduction or distribution not authorized by Wacker Neuson Corporation represents an infringement of valid copyrights and will be prosecuted. We expressly reserve the right to make technical modifications, even without due notice, which aim at improving our machines or their safety standards.

Emission Control System Information

7 Emission Control Systems Information and Warranty

The Emission Control Warranty and associated information is valid only for the U.S.A., its territories, and Canada.

7.1 Emission Control Systems Warranty Statement

See the supplied engine owner's manual for the applicable exhaust and evaporative emission warranty statement.

2. Safety Information

This manual contains DANGER, WARNING, CAUTION, *NOTICE*, and NOTE signal words which must be followed to reduce the possibility of personal injury, damage to the equipment, or improper service.



This is the safety alert symbol. It is used to alert you to potential personal injury hazards. Obey all safety messages that follow this symbol to avoid possible injury or death.



DANGER

DANGER indicates a hazardous situation which, if not avoided, will result in death or serious injury.



WARNING

WARNING indicates a hazardous situation which, if not avoided, could result in death or serious injury.



CAUTION

CAUTION indicates a hazardous situation which, if not avoided, could result in minor or moderate injury.

NOTICE: Used without the safety alert symbol, **NOTICE** indicates a situation which, if not avoided, could result in property damage.

Note: *Contains additional information important to a procedure.*

2.1 Laws Pertaining to Spark Arresters

Notice: State Health Safety Codes and Public Resources Codes specify that in certain locations spark arresters be used on internal combustion engines that use hydrocarbon fuels. A spark arrester is a device designed to prevent accidental discharge of sparks or flames from the engine exhaust. Spark arresters are qualified and rated by the United States Forest Service for this purpose.

In order to comply with local laws regarding spark arresters, consult the engine distributor or the local Health and Safety Administrator.

2.2 Operating Safety



WARNING

Familiarity and proper training are required for the safe operation of the machine. Machines operated improperly or by untrained personnel can be hazardous. Read the operating instructions contained in this manual and the engine manual, and familiarize yourself with the location and proper use of all controls. Inexperienced operators should receive instruction from someone familiar with the machine before being allowed to operate it.

- 2.2.1 Do not allow anyone to operate this equipment without proper training. People operating this equipment must be familiar with the risks and hazards associated with it.
- 2.2.2 Do not touch the engine or muffler while the engine is on or immediately after it has been turned off. These areas get hot and may cause burns.
- 2.2.3 Do not use accessories or attachments that are not recommended by Wacker Neuson. Damage to equipment and injury to the user may result.
- 2.2.4 NEVER operate the machine with the beltguard missing. Exposed drive belt and pulleys create potentially dangerous hazards that can cause serious injuries.
- 2.2.5 Never leave the machine running unattended.
- 2.2.6 Be sure operator is familiar with proper safety precautions and operation techniques before using machine.
- 2.2.7 Always wear protective clothing appropriate to the job site when operating the machine.
- 2.2.8 Wear hearing protection when operating equipment.
- 2.2.9 Close fuel valve on engines equipped with one when machine is not being operated.
- 2.2.10 Store the machine properly when it is not being used. The machine should be stored in a clean, dry location out of the reach of children.
- 2.2.11 Always operate machine with all safety devices and guards in place and in working order. Do not modify or defeat safety devices. Do not operate machine if any safety devices or guards are missing or inoperative.
- 2.2.12 Read, understand, and follow procedures in the Operator's Manual before attempting to operate the machine.

2.3 Operator Safety while using Internal Combustion Engines



Internal combustion engines present special hazards during operation and fueling. Read and follow the warning instructions in the engine owner's manual and the safety guidelines below. Failure to follow the warnings and safety standards could result in severe injury or death.

- 2.3.1 DO NOT run the machine indoors or in an enclosed area such as a deep trench unless adequate ventilation, through such items as exhaust fans or hoses, is provided. Exhaust gas from the engine contains poisonous carbon monoxide gas; exposure to carbon monoxide can cause loss of consciousness and may lead to death.
- 2.3.2 Do not smoke while operating the machine.
- 2.3.3 Do not smoke when refueling the engine.
- 2.3.4 Do not refuel a hot or running engine.
- 2.3.5 Do not refuel the engine near an open flame.
- 2.3.6 Do not spill fuel when refueling the engine.
- 2.3.7 Do not run the engine near open flames.
- 2.3.8 Refill the fuel tank in a well-ventilated area.
- 2.3.9 Replace the fuel tank cap after refueling.
- 2.3.10 ALWAYS check the fuel lines and the fuel tank for leaks and cracks before starting the engine. Do not run the machine if fuel leaks are present or the fuel lines are loose.

2.4 Service Safety


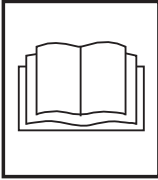
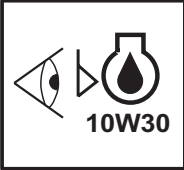
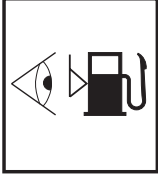


**WARNING**







A poorly maintained machine can become a safety hazard! In order for the machine to operate safely and properly over a long period of time, periodic maintenance and occasional repairs are necessary.

- 2.4.1 Do not attempt to clean or service the machine while it is running. Rotating parts can cause severe injury.
- 2.4.2 Do not crank a flooded engine with the spark plug removed on gasoline-powered engines. Fuel trapped in the cylinder will squirt out the spark plug opening.
- 2.4.3 Do not test for spark on gasoline-powered engines if the engine is flooded or the smell of gasoline is present. A stray spark could ignite the fumes.
- 2.4.4 Do not use gasoline or other types of fuels or flammable solvents to clean parts, especially in enclosed areas. Fumes from fuels and solvents can become explosive.
- 2.4.5 Keep the area around the muffler free of debris such as leaves, paper, cartons, etc. A hot muffler could ignite the debris and start a fire.
- 2.4.6 Replace worn or damaged components with spare parts designed and recommended by Wacker Neuson Corporation.
- 2.4.7 Disconnect the spark plug on machines equipped with gasoline engines, before servicing, to avoid accidental start-up.
- 2.4.8 Keep the machine clean and labels legible. Replace all missing and hard-to-read labels. Labels provide important operating instructions and warn of dangers and hazards.

2.6 Warning and Informational Labels


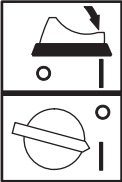
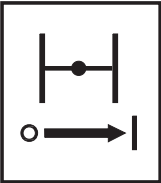
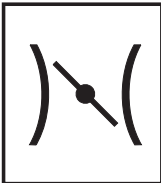
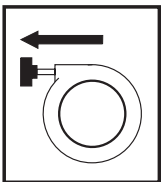
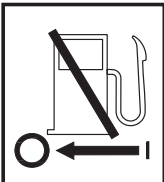
Wacker Neuson machines use international pictorial labels where needed. These labels are described below.

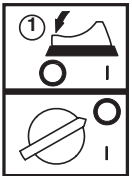
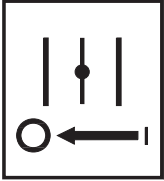



Label	Meaning
	<p>WARNING! To prevent hearing loss, wear hearing protection when operating the machine.</p>
	<p>Read the Operator's Manual for machine information.</p>
	<p>Check engine oil level. Use SAE10W30.</p>
	<p>Check the fuel level.</p>
	<p>WARNING! Hot surface!</p>
	<p>Guaranteed sound power level in dB(A).</p>

Label	Meaning
 <p>A rectangular warning label with a black border. At the top, it says 'WARNING' with a triangle icon. Below is a pictogram of a hand being caught in a rotating wheel. At the bottom, it lists 'WARNING', 'AVVERTENCIA', and 'AVERTISSEMENT' with triangle icons.</p>	<p>WARNING! Hand injury if caught in moving belt. Always replace beltguard.</p>
 <p>A rectangular caution label with a black border. It features a yellow background with a book icon and the text 'CAUTION', 'VORSICHT', 'PRECAUCION', and 'PRECAUCION'. The number '117045' is printed vertically on the right side.</p>	<p>CAUTION! Read and understand the supplied Operator's Manual before operating this machine. Failure to do so increases the risk of injury to yourself and others.</p>
 <p>A vertical notice label with a black border. It has a yellow background with a red upward arrow and a hook icon. Text includes 'CAUTION', 'VORSICHT', 'PRECAUCION', and 'PRECAUCION'. The number '111418' is at the bottom.</p>	<p>NOTICE Lifting point.</p>
 <p>A complex warning label with a red header 'WARNING'. Text includes: 'Gasoline is highly flammable and explosive. Turn engine off and let cool before refueling.', 'The engine emits toxic carbon monoxide. Do not run in an enclosed area.', and 'Read Owner's Manual before operation.' It features several icons: a flame, a person with a gas mask, a biohazard symbol, a person with a gas mask, and a book. At the bottom, it says 'Thai Honda Mfg. Co., Ltd. MADE IN THAILAND'.</p>	<p>DANGER! Engines emit carbon monoxide; operate only in well-ventilated area. Read the Operator's Manual. No sparks, flames, or burning objects near the machine. Shut off the engine before refueling.</p>
 <p>The text 'WP1540' in a stylized font, with 'WP' in green and '1540' in red.</p>	<p>Label-machine model</p>
 <p>The company logo, a stylized 'W' inside a circle.</p>	<p>Company logo</p>

2.7 Operating Labels

Wacker Neuson machines use international pictorial labels where needed. These labels are described below.

Label	Meaning
	<p>Open the fuel flow valve.</p>
	<p>Push or turn engine switch to ON position.</p>
	<p>Close the choke.</p>
	<p>Place throttle in the IDLE position.</p>
	<p>Pull the rewind starter.</p>
	<p>Close the fuel flow valve.</p>

Label	Meaning
	<p>Push or turn engine switch to OFF position.</p>
	<p>Open the choke.</p>
	<p>Place throttle in the FAST position.</p>
	<p>Throttle control lever: Turtle = Idle or Slow Rabbit = Full or Fast</p>
	<p>Lifting point (manual).</p>

3. Technical Data

3.1 Engine Data

Engine Power Rating

Net power rating per SAE J1349. Actual power output may vary due to conditions of specific use.

		WP 1540A/AW 0008060, 0008061, 0009472, 0009545
Engine		
Engine Make		Honda
Engine Model		GX 160 UT1 QWX2
Max. rated power @ rated speed	kW	3.6 @ 3600 rpm
Operating speed	rpm	3600
Clutch Engagement	rpm	2100
Spark Plug	type	NGK BPR 6ES
Electrode Gap	mm	0.7–0.8
Air Cleaner	type	Dual Element
Engine Lubrication	oil grade	SAE 10W30
	service class	SG or SF
Engine Oil Capacity	ml	600
Fuel	type	Regular unleaded gasoline
Fuel Tank Capacity	l	3.6
Valve Clearance (cold)	mm	Inlet: 0.15 Outlet: 0.20

3.2 Machine Data

		WP 1540A/AW 0008060, 0008061, 0009472, 0009545
Plate		
Operating Weight	kg (lbs.)	86 (190)
Water Tank Capacity	l (qts.)	10.4 (11.0)
Exciter Speed	rpm / belt	5800
Exciter Lubrication	ml (oz.)	150 (5) Automatic Transmission Fluid Dextron III / Mercon or equivalent
Dimensions	mm (in.)	686 (27) x 400 (16) x 965 (38)

3.3 Sound and Vibration Specifications

Products are tested for sound pressure level in accordance with EN ISO 11204. Sound power level is tested in accordance with European Directive 2000/14/EC - Noise Emission in the Environment by Equipment for use outdoors.

- The sound pressure level at operator’s location (L_{pA}) :

WP 1540A = 97 dB(A)

WP 1540AW = 97 dB(A)

- The guaranteed sound power level (L_{WA}) = 108 dB(A).

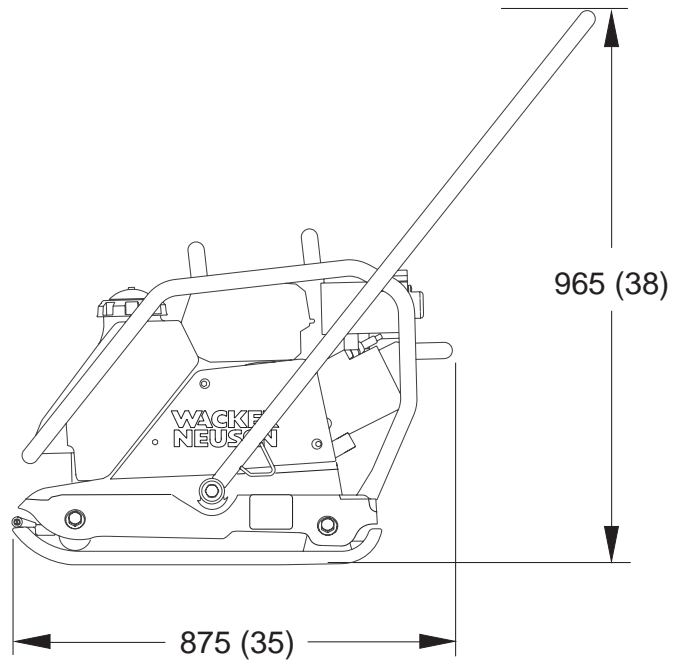
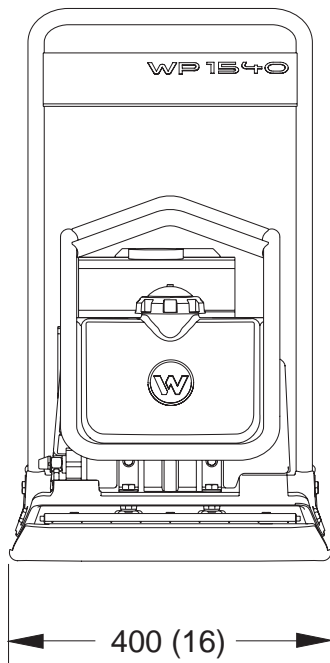
Products are tested for hand/arm vibration (HAV) level in accordance with ISO 5349, EN1033, and EN500-4 where applicable.

WP 1540A = 10.8 m/s²

WP 1540AW = 10.8 m/s²

3.4 Dimensions

mm (in.)



wpmgr005987

4. Operation

4.1 Recommended Fuel

The engine requires regular grade unleaded gasoline. Use only fresh, clean gasoline. Gasoline containing water or dirt will damage fuel system. Consult engine owner's manual for complete fuel specifications.

4.2 Before Starting

4.2.1 Read and understand the safety and operating instructions at the beginning of this manual.

4.2.2 Check:

- Oil level in the engine
- Fuel level
- Condition of the air cleaner
- Tightness of the external fasteners
- Condition of the fuel lines

4.3 To Start

See Graphic: wc_gr000014

- 4.3.1 Open fuel valve by moving lever to the right (**a1**).

Note: If engine is cold, move choke lever to close position (**b1**). If engine is hot, set choke to open position (**b2**).

- 4.3.2 Turn engine switch to “ON” (**e1**).

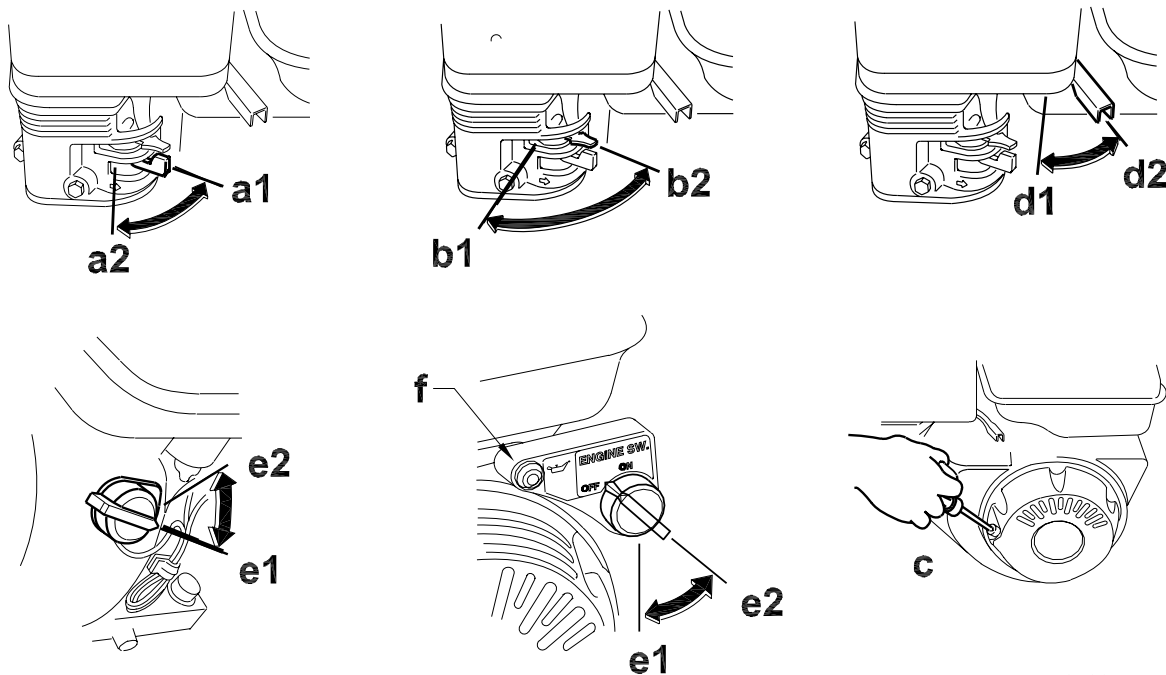
- 4.3.3 Open throttle by moving it slightly to left (**d1**).

- 4.3.4 Pull starter rope (**c**).

Note: If the oil level in the engine is low, the engine will not start. If this happens, add oil to engine. Some engines are equipped with an oil alert light (**f**) that will come on while pulling the starter rope.

- 4.3.5 Open choke as engine warms (**b2**).

- 4.3.6 Open throttle fully to operate.



wc_gr000014

4.4 To Stop

See Graphic: wc_gr000014

- 4.4.1 Reduce engine RPM to idle by moving throttle completely to right (**d2**).

- 4.4.2 Turn engine switch to “OFF” (**e2**).

- 4.4.3 Close fuel valve by moving lever to the left (**a2**).

4.5 Application

This plate is designed for compacting loose, granular soils, gravel, and paving stones. It is intended to be used in confined areas and areas next to structures such as walls, curbs, and foundations. Plates equipped with water tanks can be used for compacting asphalt.

This plate is not recommended for compacting cohesive soils with a heavy clay content. For cohesive soil, use a vibratory rammer or sheepfoot roller.

4.6 Operation

See Graphic: *wpmgr006016*

Run engine at full throttle and allow plate to pull itself along at its normal speed. When operating on an incline it may be necessary to assist plate by pushing it forward slightly. Depending on the material being compacted, three or four passes are recommended to achieve the best compaction.

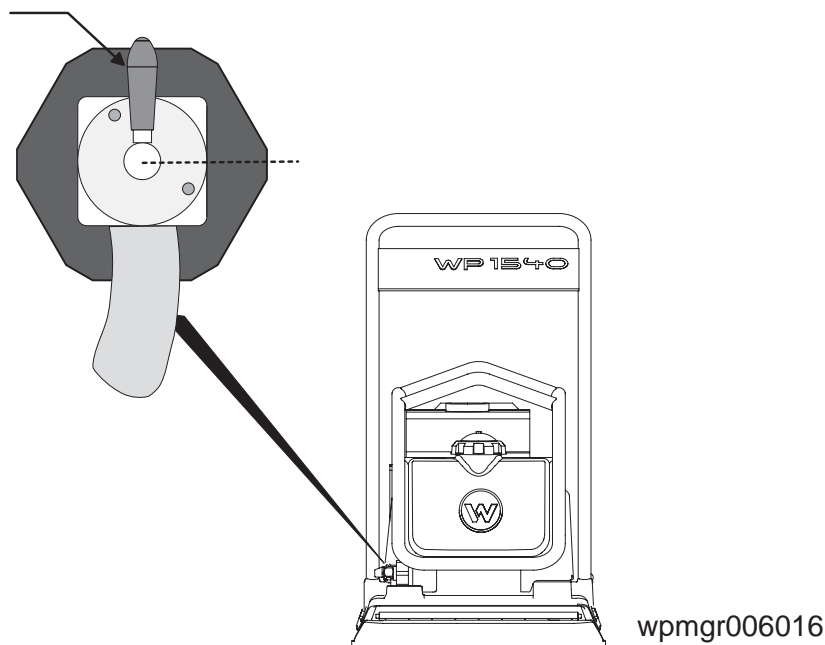
While a certain amount of moisture in the soil is necessary, excessive moisture may cause soil particles to stick together and prevent good compaction. If soil is extremely wet, allow it to dry somewhat before compacting.

If soil is so dry as to create dust clouds while operating plate, some moisture should be added to the ground material to improve compaction. This will also reduce service to the air filter.

For compacting asphalt, open water tank valve **(a1)** to wet asphalt and underside of plate. This will prevent asphalt material from sticking. Two or three passes are usually sufficient to ensure good compaction.

When using plate on paving stones, attach a pad to the bottom of the plate to prevent chipping or grinding surface of the stones. A special urethane pad designed for this purpose is available as an optional accessory.

NOTICE: DO NOT operate plate on concrete or on extremely hard, dry, compacted surfaces. The plate will jump rather than vibrate and could damage both plate and engine.



4.7 Wheel Kit (0162986)

See Graphic: *wc_gr002793*

Wheel kit (Part No. 0162986) is a standard item on Item Number 0009545, 0009546, 0009547 and 0009548 only. Available as an option on all other models.

4.7.1 Disengage wheel kit from holding latch **(a)** and position wheels in “down” position.

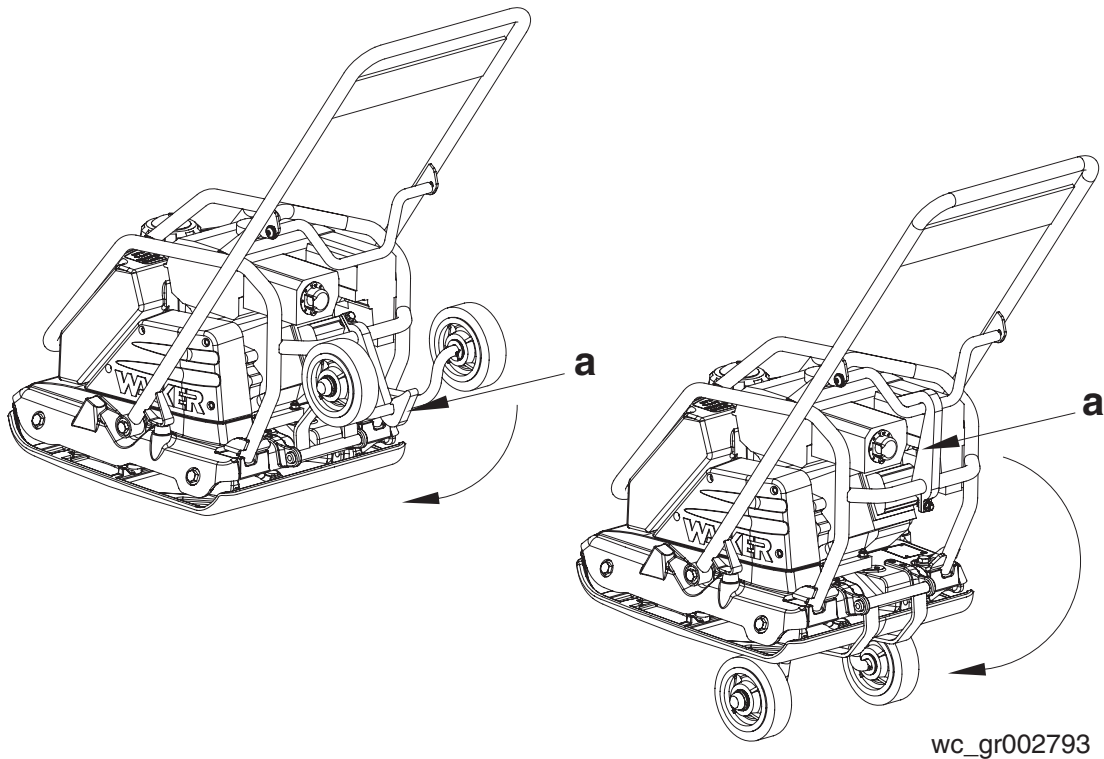
4.7.2 Pivot holding latch and engage cross member brace into latch.

NOTICE: Latch prevents vibroplate from pivoting and falling back towards the operator.

4.7.3 Push forward on guide handle to tip vibroplate forward and pivot wheels into the “down” position.

4.7.4 Pull back on guide handle to tip vibroplate back up on wheels to transport.

NOTICE: DO NOT lift the vibroplate by its guide handle. The vibroplate can shift, causing it to fall.



5. Maintenance

5.1 Periodic Maintenance Schedule

5.1.1 Engine Maintenance

The chart below lists basic engine maintenance. Refer to the engine manufacturer’s Operation Manual for additional information.

	Daily before starting	After first 20 hrs.	Every 2 weeks or 50 hrs.	Every month or 100 hrs.	Every year or 300 hrs.
Check fuel level.	■				
Check engine oil level.	■				
Inspect fuel lines.	■				
Inspect air filter. Replace as needed.	■				
Clean air cleaner elements.			■		
Change engine oil.		■		■	
Clean engine cooling fins.				■	
Clean sediment cup / fuel filter.				■	
Check and clean spark plug.				■	
Check and adjust valve clearance.					■
Change exciter oil.					■

5.2 Machine Maintenance

The chart below lists basic machine maintenance.

	Daily before starting	After first 20 hrs.	Every 2 weeks or 50 hrs.	Every month or 100 hrs.	Every year or 300 hrs.
Check external hardware.	■				
Check and adjust drive belt.		■	■		
Inspect shockmounts for damage.			■		
Replace shockmounts as needed.					■
Change exciter oil.					■



Note: *When machine is being used in asphalt, it is highly recommended that shockmounts are replaced every year or after 300 hours of usage.*

5.3 Cleaning Plate

Clean plate after use to remove dirt, stones, and mud caught under the engine console. If plate is being used in a dusty area, check engine cylinder cooling fins for heavy dirt accumulation. Keep engine cylinder fins clean to prevent engine from overheating.

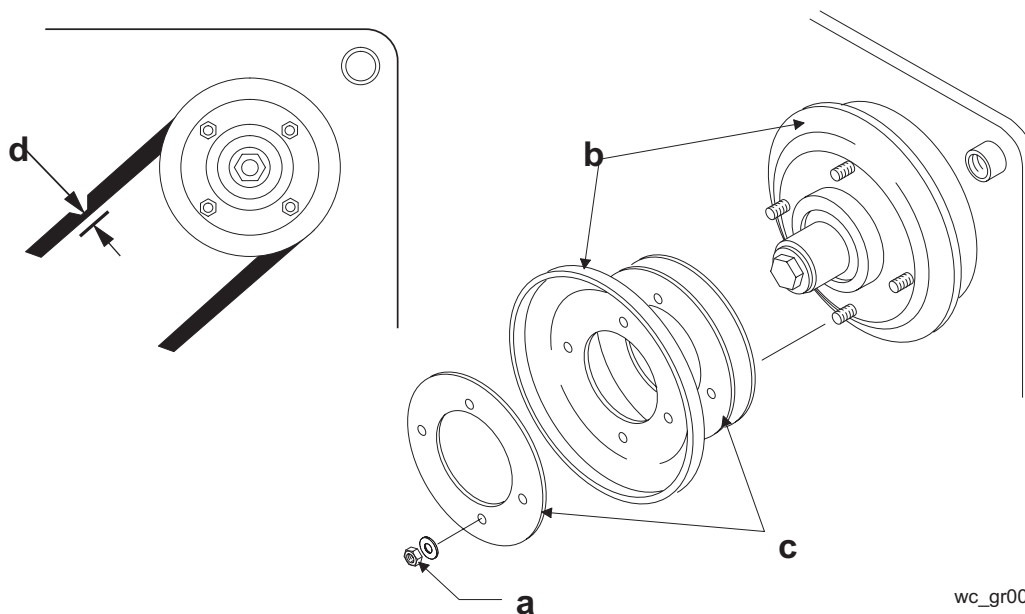
5.4 Drive Belt

See Graphic: *wc_gr000077*

On new machines or after installing a new belt, check belt tension after first 20 hours of operation. Check and adjust belt every 50 hours thereafter.

To change the belt:

- 5.4.1 Remove the beltguard and remove the four hex nuts (**a**) holding pulley halves (**b**) together. Remove outer pulley half and remove belt.
- 5.4.2 Install new belt on pulley and secure pulley halves together with hex nuts. Adjust tension on belt by adding or removing spacers (**c**) between pulley halves. The fewer spacers used between pulley halves, the tighter the belt will be. Three spacers with new Wacker belts should provide the correct tension. Belt deflection should be 6–10 mm, checked half way between the clutch pulley and the exciter pulley (**d**). Place unused spacers on outside of pulley.
- 5.4.3 Replace beltguard.



wc_gr000077

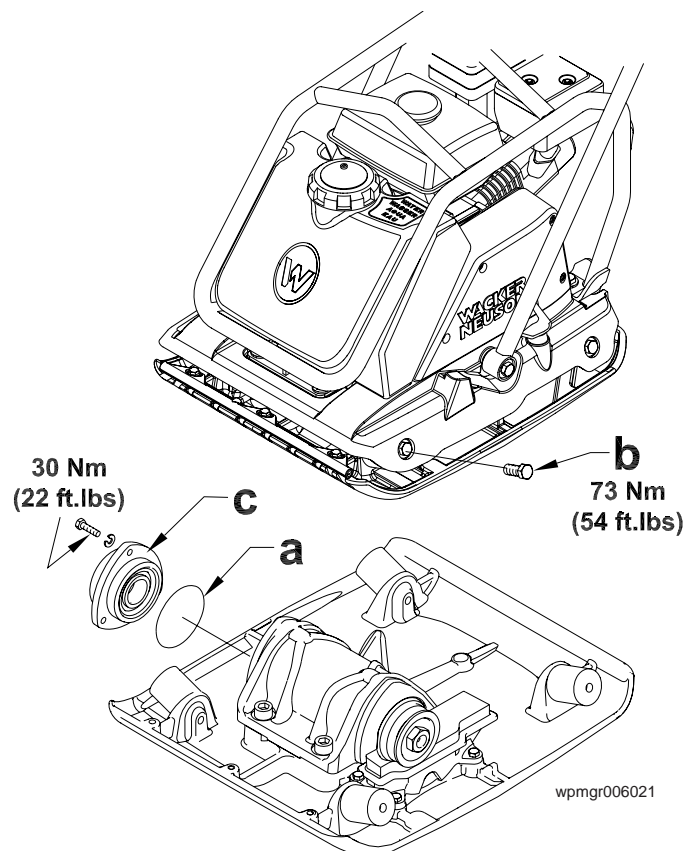
5.5 Exciter Lubrication

See Graphic: *wpmgr006021*

The exciter assembly is a self-contained, sealed unit. The bearings are lubricated using automatic transmission fluid (see *Technical Data* for type). Change fluid once every year or 300 hours of operation. When changing fluid, replace O-ring (**a**).

To change fluid:

- 5.5.1 Remove beltguard, belt, and hose from water tank.
- 5.5.2 Remove four screws (**b**) securing console assembly to baseplate and lift console assembly from baseplate.
- 5.5.3 Remove end cover (**c**) from bearing exciter assembly. Outer bearing race will remain with cover.
- 5.5.4 Tip baseplate up and drain fluid from exciter assembly. Dispose of used fluid in an appropriate manner. Contact local recycling center.
- 5.5.5 Add 150 ml of automatic transmission fluid to exciter housing and fasten end cover to exciter. Do not overfill exciter or bearings may overheat.
- 5.5.6 Assemble console assembly to baseplate and install belt, beltguard, and hose to water tank.



5.6 Spark Plug

See Graphic: *wc_gr000028*

Clean or replace the spark plug as needed to ensure proper operation. Refer to your engine operator's manual.



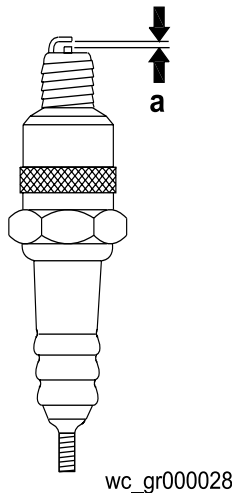
WARNING

The muffler becomes very hot during operation and remains hot for a while after stopping the engine. Do not touch the muffler while it is hot.

Note: Refer to section "Technical Data" for the recommended spark plug type and the electrode gap setting.

- 5.6.1 Remove the spark plug and inspect it.
- 5.6.2 Replace the spark plug if the insulator is cracked or chipped.
- 5.6.3 Clean the spark plug electrodes with a wire brush.
- 5.6.4 Set the electrode gap (**a**).
- 5.6.5 Tighten the spark plug securely.

NOTICE: A loose spark plug can become very hot and may cause engine damage.



wc_gr000028

5.7 Engine Oil

See Graphic: *wc_gr000022*

5.7.1 Drain the oil while the engine is still warm.

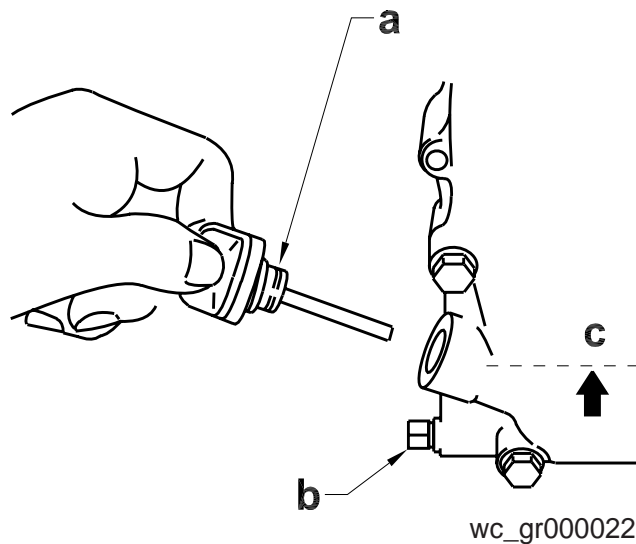
5.7.2 Remove the oil filler plug (**a**) and the drain plug (**b**) to drain the oil.

Note: *In the interests of environmental protection, place a plastic sheet and a container under the machine to collect any liquid that drains off. Dispose of this liquid in accordance with environmental protection legislation.*

5.7.3 Install the drain plug.

5.7.4 Fill the engine crankcase with the recommended oil up to the level of the plug opening (**c**). See section *Technical Data* for oil quantity and type.

5.7.5 Install the oil filler plug.



5.8 Air Cleaner

See Graphic: *wc_gr000025*

The engine is equipped with a dual element air cleaner. Service air cleaner frequently to prevent carburetor malfunction.

NOTICE: NEVER run engine without air cleaner. Severe engine damage will occur.

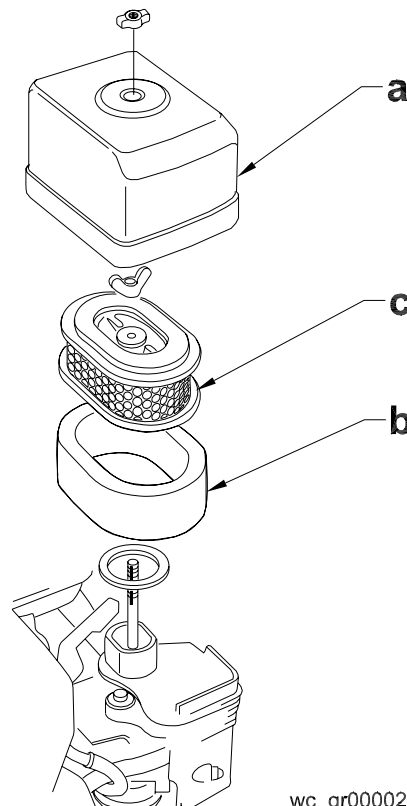


WARNING

NEVER use gasoline or other types of low flash point solvents for cleaning the air cleaner. A fire or explosion could result.

To service:

- 5.8.1 Remove air cleaner cover (**a**). Remove both elements and inspect them for holes or tears. Replace damaged elements.
- 5.8.2 Wash foam element (**b**) in solution of mild detergent and warm water. Rinse thoroughly in clean water. Allow element to dry thoroughly. Soak element in clean engine oil and squeeze out excess oil.
- 5.8.3 Tap paper element (**c**) lightly to remove excess dirt. Replace paper element if it appears heavily soiled.

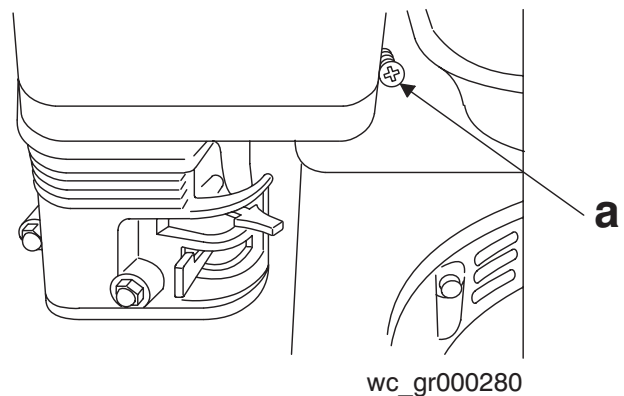
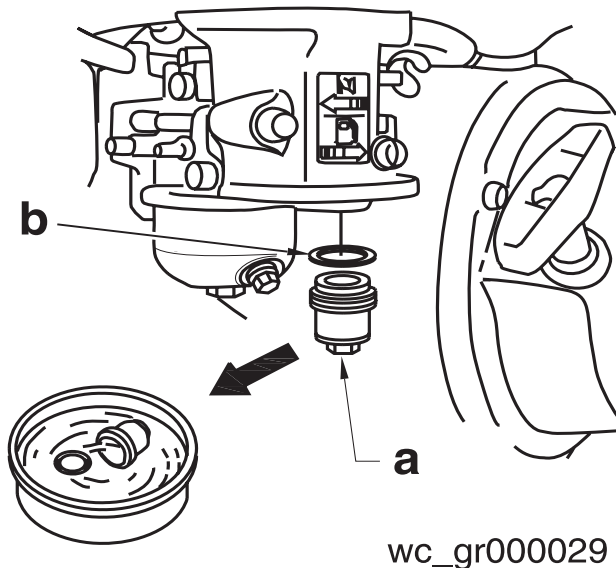


wc_gr000025

5.9 Cleaning Sediment Cup

See Graphic: *wc_gr000029*

- 5.9.1 Turn the fuel valve off.
- 5.9.2 Remove the sediment cup (a) and the O-ring (b).
- 5.9.3 Wash both thoroughly in a nonflammable solvent. Dry and reinstall them.
- 5.9.4 Turn the fuel valve on and check for leaks.



5.10 Adjusting Engine Speed

See Graphic: *wc_gr000280*

Adjust to a full load speed of 3600 ± 100 rpm.

To adjust engine speed:

- 5.10.1 Place machine on a rubber test mat to prevent it from moving.
- 5.10.2 Start engine and allow it to warm up for a minute.
- 5.10.3 Turn throttle stop screw (a) in to increase speed, out to decrease speed. Make sure throttle lever is touching stop screw before measuring RPM.

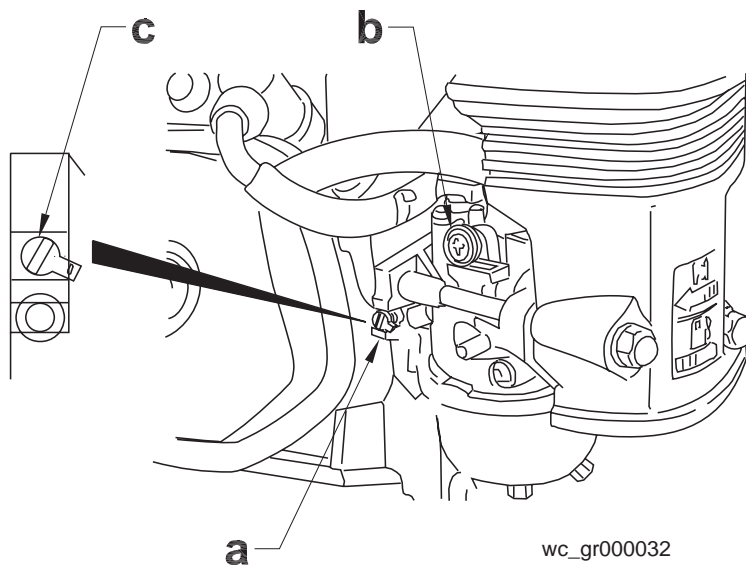
NOTICE: Running plate at a speed higher than that listed in *Technical Data* can damage both the plate and the engine.

5.11 Carburetor Adjustment

See Graphic: *wc_gr000032*

- 5.11.1 Start the engine and allow it to warm up to operating temperature.
- 5.11.2 Set the pilot screw **(a)** two turns out. See *Note*.
- 5.11.3 With the engine idling, turn the pilot screw **(a)** in or out to the setting that produces the highest rpm.
- 5.11.4 After the pilot screw is adjusted, turn the throttle stop screw **(b)** to obtain the standard idle speed. See *Technical Data*.

Note: *On some engines the pilot screw is fitted with a limiter cap (c) to prevent excessive enrichment of the air-fuel mixture in order to comply with emission regulations. The mixture is set at the factory and no adjustment should be necessary. Do not attempt to remove the limiter cap. The limiter cap cannot be removed without breaking the pilot screw.*



5.12 Troubleshooting

Problem / Symptom	Reason / Remedy
Plate does not develop full speed. Poor compaction.	<ul style="list-style-type: none"> • Engine throttle control not completely open. • Throttle control not adjusted correctly. • Ground too wet, plate sticking. Allow soil to dry before compacting. • Drive belt loose or worn, slipping on pulleys. Adjust or replace belt. Check that engine mounting bolts are tight. • Exciter bearings binding. Check condition and level of oil in exciter. Add or change oil. • Air filter clogged with dust, reducing engine performance. Clean or replace air filter. • Engine speed too low. Check engine speed with tachometer. Adjust or repair engine to run at correct speed. Refer to engine manual.
Engine running, no vibration	<ul style="list-style-type: none"> • Engine throttle not open. • Drive belt loose or broken. Adjust or replace. • Clutch damaged. Inspect and replace clutch. • Engine speed too low. Check engine speed. • Too much oil in exciter. Adjust oil to correct level.
Plate jumps or compacts unevenly.	<ul style="list-style-type: none"> • Ground surface too hard. • Shockmounts loose or damaged.

5.13 Storage

If plate is being stored for more than 30 days:

- 5.13.1 Remove loose stones and dirt from plate.
- 5.13.2 Clean engine cylinder cooling fins.
- 5.13.3 Clean or replace air filter.
- 5.13.4 Change exciter oil.
- 5.13.5 Change engine oil and follow procedures described in engine manual for engine storage.
- 5.13.6 Cover plate and engine and store in a clean, dry area.

5.14 Lifting Machine

See Graphic: wpmgr006037

See *Technical Data* for the weight of the machine.

To lift machine manually:

- 5.14.1 Stop the engine.
- 5.14.2 Obtain help from a partner and plan the lift.
- 5.14.3 Grasp the machine by its cage **(a)** and lifting slot **(b)**.
- 5.14.4 Lift the machine as shown.



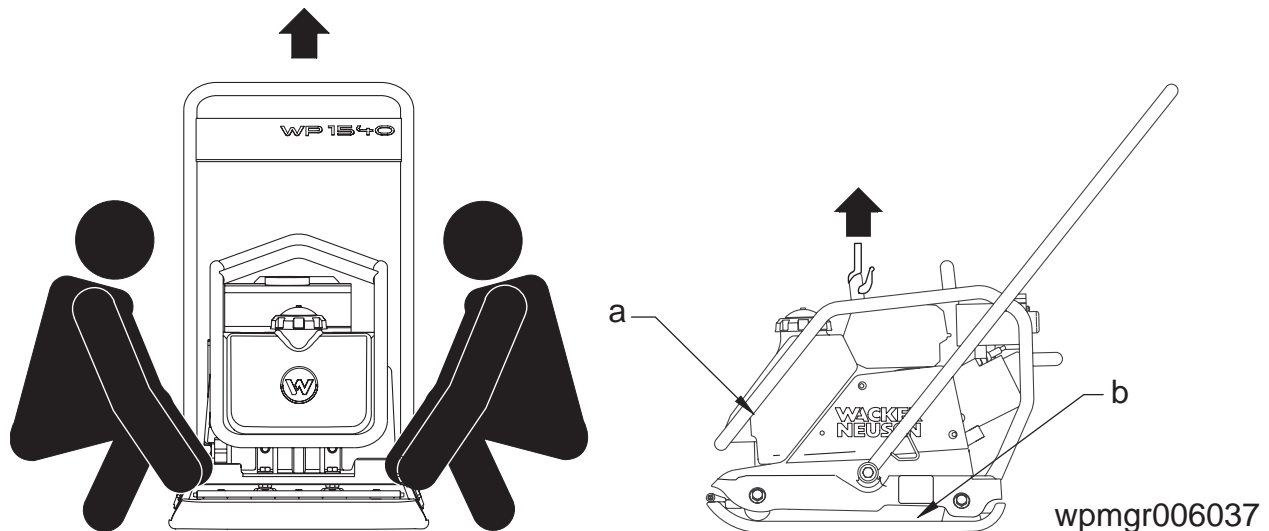
To reduce risk of back injury while lifting, keep your feet flat on ground and shoulder width apart. Keep your head up and back straight.

WARNING To lift machine mechanically:

NOTICE: Before attempting to lift, be sure that all lifting devices can safely handle the weight of the machine. See *Technical Data* for the weight of the machine.

- 5.14.1 Attach hook, harness, or cable to the machine as shown and lift as desired.

NOTICE: DO NOT lift the vibroplate by its guide handle. The vibroplate can shift, causing it to fall.



5.15 Transporting Machine

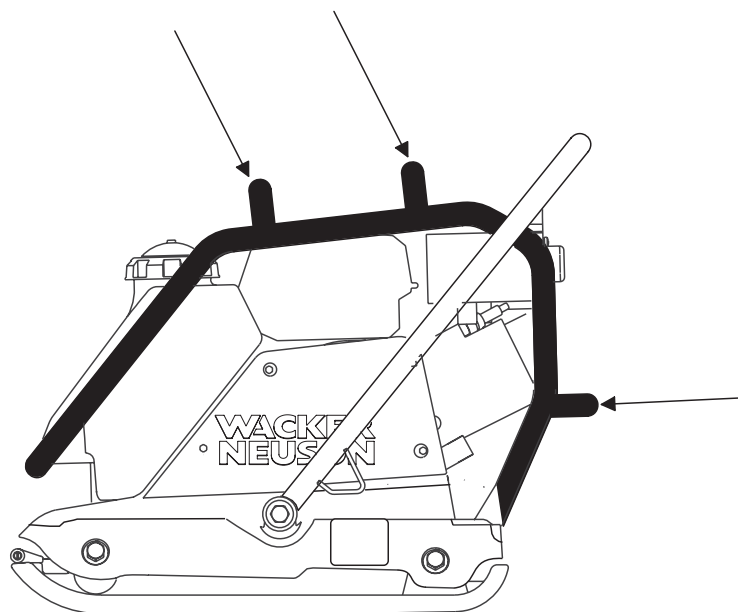
See Graphic: *wpmgr006056*



WARNING

To avoid burns or fire hazards, let engine cool before transporting machine or storing indoors.

- 5.15.1 Turn fuel valve to the off position and keep the engine level to prevent fuel from spilling.
- 5.15.2 Tie down machine on vehicle to prevent machine from sliding or tipping over. Tie machine to vehicle at points shown on graphic.



wpmgr006056



EC Declaration of Conformity

Manufacturer

Wacker Neuson Manila, Inc. Dasmariñas, Cavite, Philippines

Product

Product	WP 1540A, WP 1540AW, WP 1540, WP1540W
Product category	Vibrating plate
Product function	Compacting soils
Item number	0008061, 0008060, 0009472, 0009327, 0009326, 0009545, 0009547
Net installed power	2.6 kW
Measured sound power level	104 dB(A)
Guaranteed sound power level	108 dB(A)

Conformity assessment procedure

According to 2000/14/EC, Appendix VI, 2005/88/EC.

Notified body

VDE Prüf- und Zertifizierungsinstitut GmbH, Merianstraße 28, 63069 Offenbach/Main

Directives and standards

We hereby declare that this product meets and complies with the relevant regulations and requirements of the following directives and standards:

2006/42/EG, 2000/14/EG, 2005/88/EG

Authorized person for technical documents

Axel Häret,
Wacker Neuson Produktion GmbH & Co. KG, Preußenstraße 41, 80809 München

Philippines, 08.04.2013


Heinz Gengnagel
President & CEO

Important: For spare parts information, please see your Wacker Neuson Dealer, or visit the Wacker Neuson website at <http://www.wackerneuson.com/>.

Wichtig! Informationen über Ersatzteile erhalten Sie von Ihrem Wacker Neuson Händler oder besuchen Sie die Wacker Neuson Website unter <http://www.wackerneuson.com/>.

Important : Pour des informations sur les pièces détachées, merci de consulter votre distributeur Wacker Neuson, ou de visiter le site Internet de Wacker Neuson sur <http://www.wackerneuson.com/>.

Importante : Para saber más sobre las piezas de repuesto, póngase en contacto con su distribuidor de Wacker Neuson o acceda al sitio web de Wacker Neuson en <http://www.wackerneuson.com/>.

Importante : Per informazioni sui pezzi di ricambio, contattare il rivenditore Wacker Neuson o visitare il sito di Wacker Neuson all'indirizzo www.wackerneuson.com.

Viktigt : För information om reservdelar, kontakta din Wacker Neuson-leverantör eller besök Wacker Neusons webbplats på <http://www.wackerneuson.com/>.

Tärkeää : Pyydä varaosatietoja Wacker Neusonin jälleenmyyjältä tai vieraile Wacker Neusonin web-sivustolla osoitteessa <http://www.wackerneuson.com/>

Viktig : For informasjon om reservedeler, vennligst kontakt din Wacker Neuson-forhandler, eller besøk Wacker Neusons nettside på <http://www.wackerneuson.com/>.

Viktigt : Hvis du ønsker oplysninger om reservedele, bedes du kontakte din Wacker Neuson forhandler eller besøg Wacker Neuson websiden på <http://www.wackerneuson.com/>.

Belangrijk! Neem contact op met uw Wacker Neuson dealer of bezoek de website van Wacker Neuson op <http://www.wackerneuson.com/> voor meer informatie over reserveonderdelen.

Importante : Para obter informações sobre as peças sobresselentes, consulte o seu fornecedor da Wacker Neuson ou acesse ao site Web da Wacker Neuson em http://www.wackerneuson.com

Ważne : W celu uzyskania informacji na temat części zamiennych skontaktuj się z przedstawicielem firmy Wacker Neuson lub skorzystaj z witryny internetowej <http://www.wackerneuson.com/>.

Důležitě upozornění! Pro informace o náhradních dílech, prosím, kontaktujte svého Wacker Neuson dealera, nebo navštivte webové stránky <http://www.wackerneuson.com/>.

FONTOS: A pótalkatrészekre vonatkozó információkért kérjük, forduljon Wacker Neuson kereskedőjéhez vagy látogasson el a Wacker Neuson weboldalára a következő címen: <http://www.wackerneuson.com/>.

Важно! Для ознакомления с информацией о запасных частях, пожалуйста, обратитесь к местному торговому представителю компании Wacker Neuson или посетите веб-сайт <http://www.wackerneuson.com/>.

Σημαντικό : Για πληροφορίες σχετικά με τα ανταλλακτικά, μιλήστε με τον αντιπρόσωπό σας της Wacker Neuson, ή επισκεφθείτε τον ιστότοπο <http://www.wackerneuson.com/>.

Važno : Za rezervne dijelove obratite se svom Wacker Neuson prodavaču ili posjetite mrežne stranice tvrtke Wacker Neuson: <http://www.wackerneuson.com/>.

Önemli : Yedek parça bilgileri için Wacker Neuson Bayinize bakın veya Wacker Neuson web sitesini ziyaret edin. <http://www.wackerneuson.com/>

重要 交換部品の情報については、ワッカーノイソンディーラーにお問い合わせ頂くか、ワッカーノイソンウェブサイト <http://www.wackerneuson.com/> をご覧ください。

重要 有关备件信息，请咨询您的威克诺森经销商或访问威克诺森网站：
<http://www.wackerneuson.com/>。

Important : Pentru informații referitoare la piesele de schimb, vă rugăm să vă adresați distribuitorului Wacker Neuson sau să vizitați site-ul web Wacker Neuson la adresa <http://www.wackerneuson.com/>.

Важно : За информация относно резервни части, моля, обърнете се към местния дилър на Wacker Neuson или посетете уебсайта на Wacker Neuson на адрес <http://www.wackerneuson.com/>.

Wacker Neuson Produktion GmbH & Co. KG, Preußenstraße 41, D-80809 München,

Tel.: +49-(0)89-3 54 02-0 Fax: +49 - (0)89-3 54 02-390

Wacker Neuson Production Americas LLC, N92W15000 Anthony Ave., Menomonee Falls, WI. 53051

Tel.: (262) 255-0500 Fax: (262) 255-0550 Tel.: (800) 770-0957

Wacker Neuson Limited - Room 1701-03 & 1717-20, 17/F, Tower 1, Grand Century Place, 193 Prince Edward Road West, Mongkok, Kowloon, Hongkong. Tel: (852) 3605 5360, Fax: (852) 2758 0032