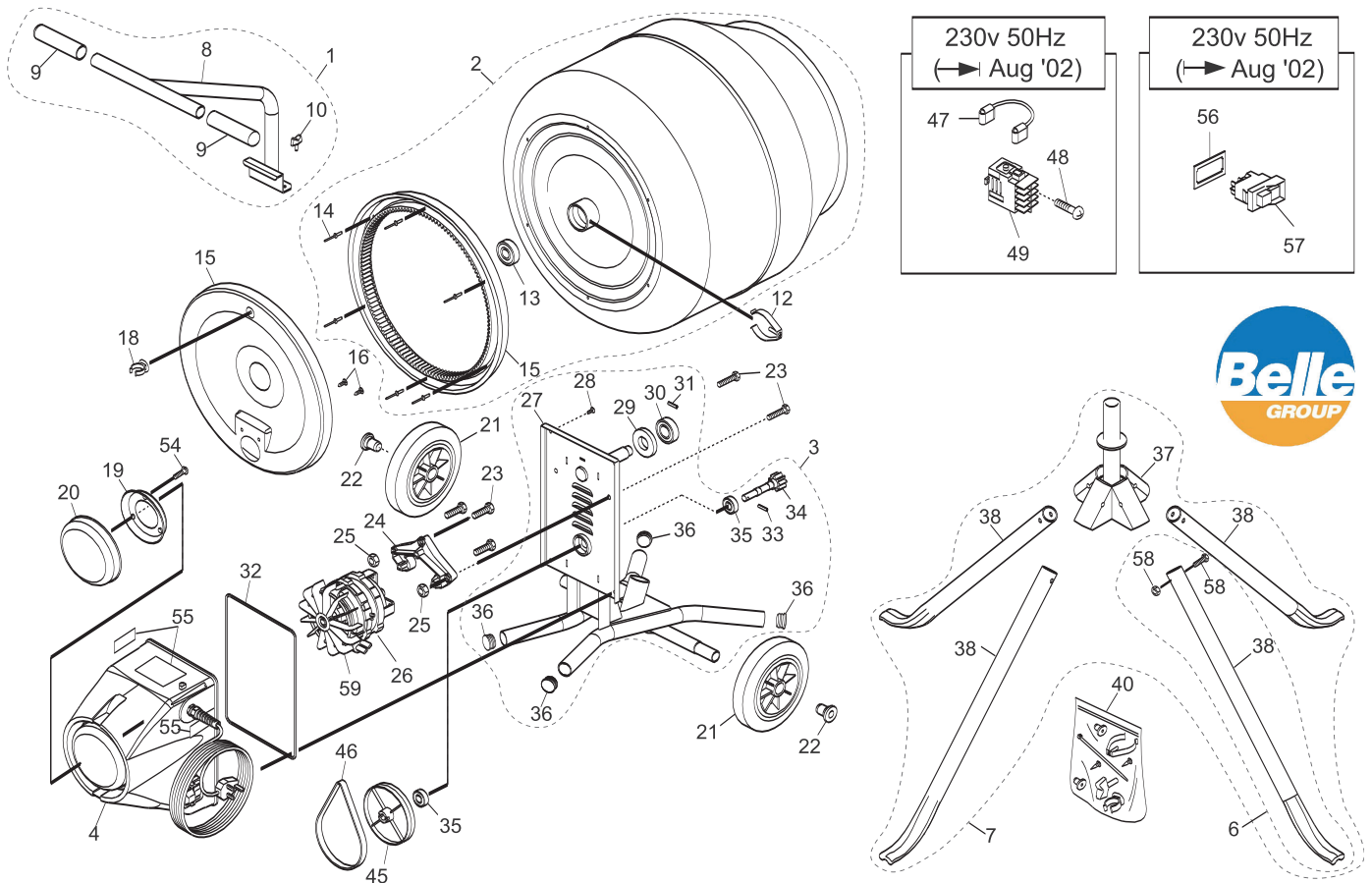


# Belle Minimix 130



Part No.	Ref	Description
901/14800	1	Handle Assy
901/14900	2	Drum Assy
901/15000	3	Frame Assy
901/15400	4	Motor Cover
901/14600	6	Stand Leg Kit
901/14700	7	Stand Assy
901/13700	8	Handle Frame
900/99906	9	Handle Grip
74/0002	10	Wing Nut (before 09/01)
7/8046	10	Thumb Screw (after 09/01)
3/1009	12	Drum Clip
53/0003	13	Drum Boss Bearing
3/0038	14	Rivet 4.8 x 16
901/99956SP	15	Gear Ring & Cover
3/7020	16	Push Clip
3/7019	18	Pipe Clip
901/99916	19	Cover Shield Outer
901/99915	20	Cover Shield Inner
60/0285	21	Rubber Wheel
900/11400	22	Wheel Retainer
7/8009	23	Setscrew M8 x 30
901/99910	24	Motor Bracket
8/8008	25	Nyloc Nut M8
901/99958	26	Motor 240v

Part No.	Ref	Description
901/13500	27	Please See Ref 3 (901/15000)
7/6028	28	Taplite M6 x 10
901/99934	29	Drum Boss Protector
53/0001	30	Mainshaft Bearing
3/0007	31	Roll Pin 1/4"
901/99907	32	Motor Cover Seal
3/0039	33	Spirol Pin 6mm
901/10800	34	Drive Pinion
53/0002	35	Driveshaft Bearing
3/4026	36	Plug
901/13900	37	Leg Support Pivot
929/99901	38	Stand Leg
92/00200	39	Button Clip
92/00100	40	Kit Bag
901/99935	41	Extension Cable
901/99908	45	Belt Pulley
901/99912	46	Belt
7/0009	48	Screw
901/99921	49	NVR Switch 240v (pre 08/02)
800/22100	55	Decal Kit
70/0195	56	Switch Seal
70/0194	57	Switch 240v (after 08/02)
92/00200	58	Kit - Leg Fasteners
901/99964	59	Motor Fan
70/0137	-	Capacitor