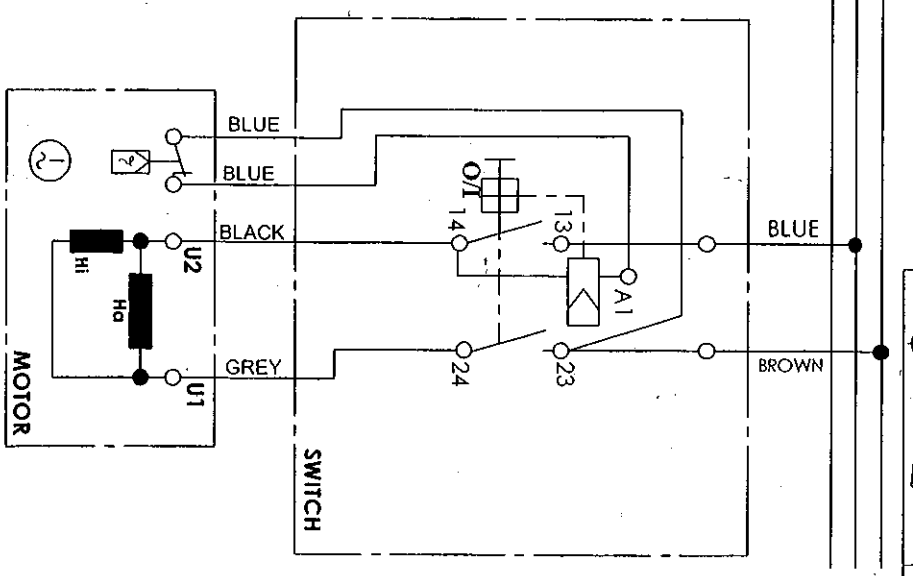
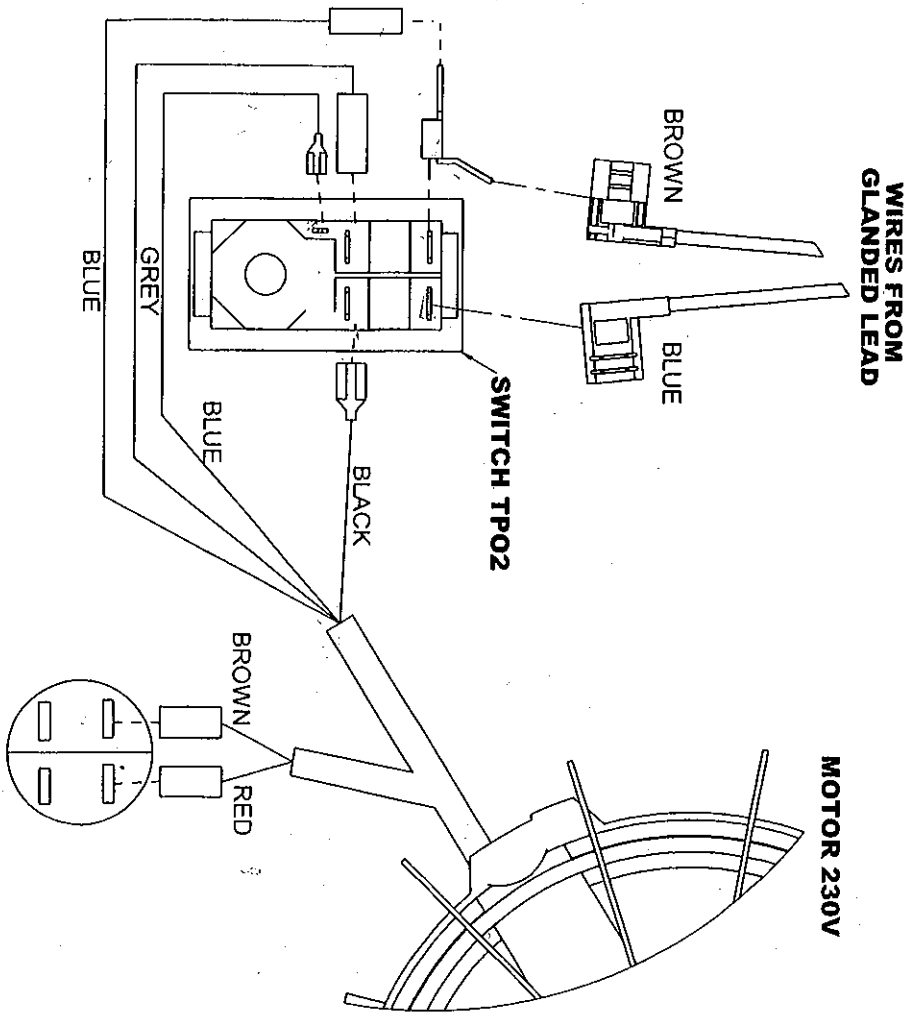


DO NOT SCALE THIS DRAWING IS THE PROPERTY OF BELLE ENGINEERING LTD. & MUST NOT BE COPIED OR REPRODUCED WITHOUT WRITTEN CONSENT. ALL DIMENSIONS ARE IN MILLIMETRES. THIRD ANGLE PROJECTION

A3



USED IN PRODUCTION ON 230V-50HZ VERSIONS FROM JULY 2005 ONWARDS

ASSEMBLY INSTRUCTION 447

ECN No.	DESCRIPTION	DATE	DRN
1			
2			
3			
4			
5			

BELLE ENGINEERING LTD. SHEEN, BUXTON, DERBYSHIRE SK17 0EU	
MACHINING: LINEAR DIMS & HOLE CENTRES ±0.5mm ANGLES ±0.5° HOLES UP TO 8mm 0 -0.16 HOLES OVER 8mm 0 +0% OF DIA.	Dwg. No. A10447-0 ECN No. E3196
FABRICATION DETAILS: 0-500mm ±1mm 500-2000mm ±1.5mm OVER 2000mm ±3mm ANGLES ±1°	Desc: ASSY INST. MINI 130 SWITCH >07/05
FABRICATION ASSEMBLIES: 0-1000mm ±1.5mm 1000-2000mm ±3mm OVER 2000mm ±5mm ANGLES ±1°	Drawn: M.J.HALL Date: 14 JULY 2005
SURFACE TEXTURE VALUES IN MICROMETRES	Scale: 1:1 Weight: N/A
	Material: N/A