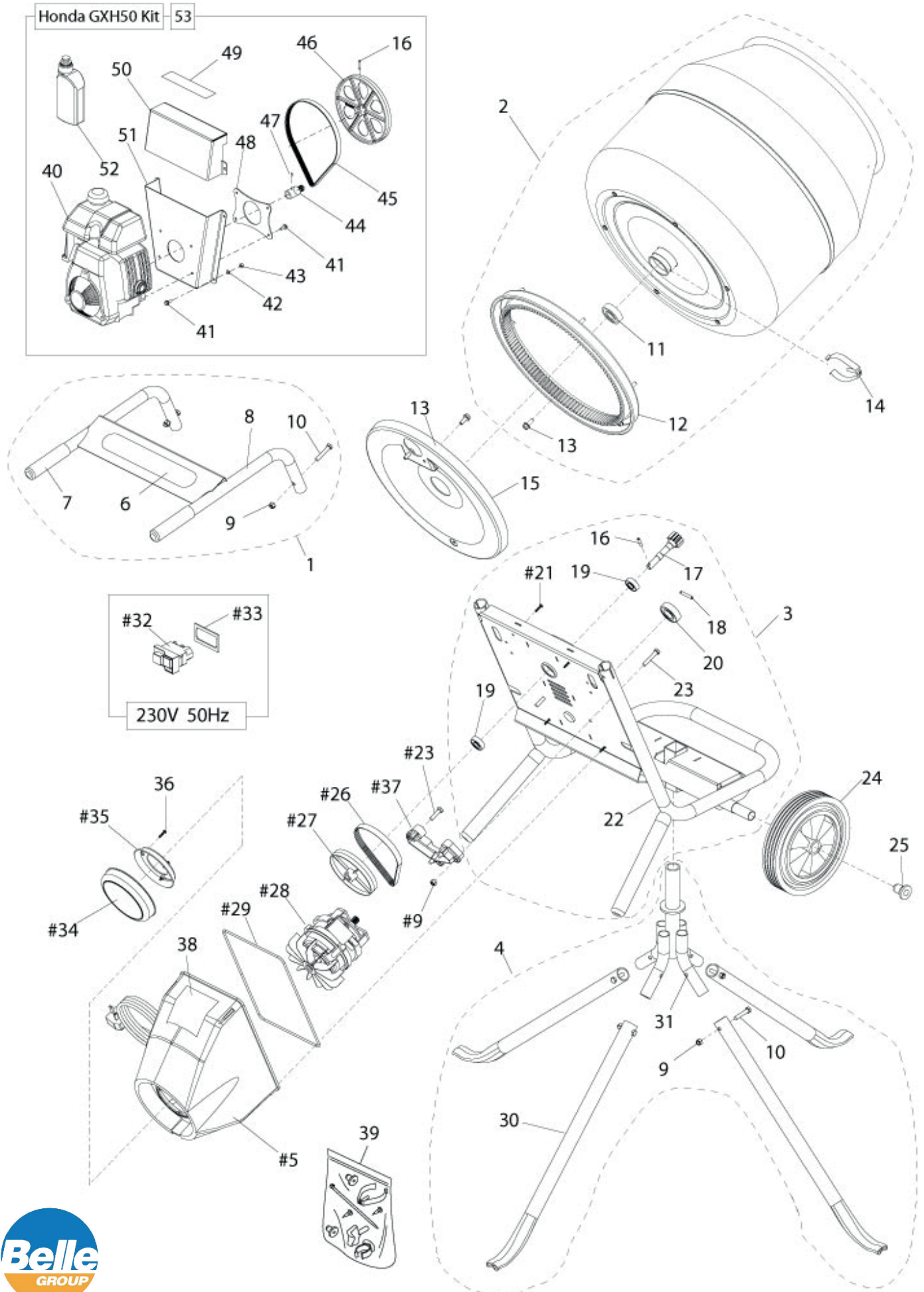


# Belle Minimix 140 (After 1999)



## Belle Minimix 140 (After 1999)

Part No.	Ref.	Descriptions
905/10900	1	Kit Handle G.a.
905/10700	2	Kit Drum G.a.
905/10600	3	Kit Mainframe G.a.
905/10800	4	Kit Stand G.a.
901/15400	5	Motor Cover Uk 230v 50hz Tp02
800/99810	6	Decal Belle Project Mixer
900/99906	7	Handle Grip
905/10100	8	W.a. Handle Mini 140
8/8008	9	Nut M8 Nyloc Bzp
9/8017	10	Bolt M8 X 45mm Hex Bzp
53/0003	11	Bearing 6304 2z
905/99901	12	Gear Ring Mini 140
7/8037	13	Screw Set Flanged M8 X 20 Bzp
3/1009	14	Clip Drum Assy
3/1939	16	Pin Spirol 6 X 25
901/10800	17	Drive Pinion W.a
3/2007	18	Pins Roll 1/4Inch X 1 12Inch
53/0002	19	Bearing 6202 2z
53/0001	20	Bearing 6205-zz
7/5019	21	Screw M5x19 Lg Polymate
905/10000	22	W.a. Mini 140 Frame
7/8009	23	Screw Set M8x30 Hex Bzp
60/0435	24	Wheel Dia 250 (25/60 Hub)
900/11400	25	Retainer Wheel
901/99912	26	Belt Snap 6epj503
901/99908	27	Pulley Large 0130
901/99958	28	Motor Mini 130 230v 50hz Tp02
901/99907	29	Seal Motor Cover
901/99901	30	Stand Leg
905/10300	31	W.a. Leg Support
70/0194	32	240v Switch - Black (04/2002 to 04/2007)
70/0195	33	Gasket Compact Switch Tpo2
901/99916	34	Cover
901/99915	35	Cover
7/2008	36	Self Tapping Screw
901/99910	37	Bracket Motor Mounting
800/25200	38	Kit Decal 140 Standard
92/01400	39	Kit Bag Minimix 140 Euro 1
905/11100	40	Engine Mini 140 Spec
7/6034	41	Screw Set M6 X 16 Flanged
4/6003	42	Washer M6
8/6007	43	Nut M6 Nyloc Bzp

Part No.	Ref.	Descriptions
905/99904	44	Shaft Extension Honda
21/0246	45	Belt Multi Vee 6epj711
905/99903	46	Pulley Large 200dia
7/5022	47	Screw M5 X 8lg Cup Point Grub
905/99906	48	Plate Engine Mount
800/21320	49	Decal
905/99907	50	Pressing Belt Guard
905/99905	51	Pressing Engine Mount