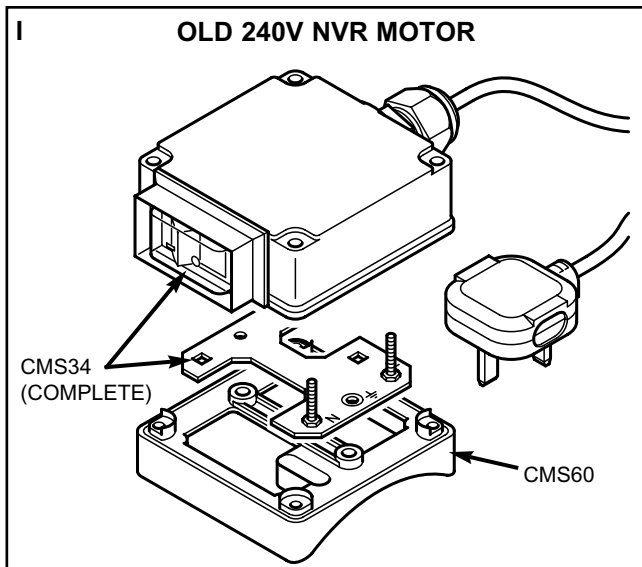
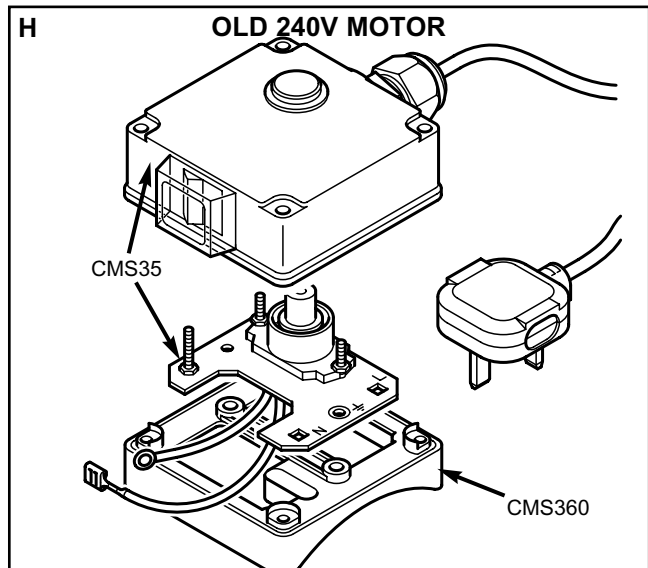
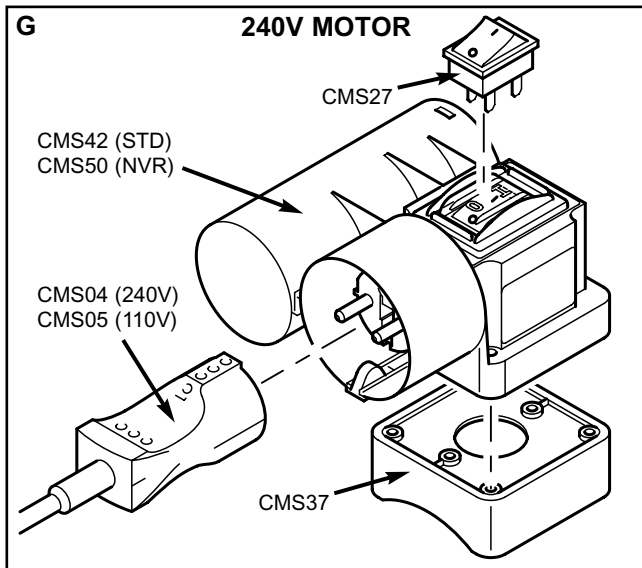


⚠ CAUTION: ELECTRICAL ITEMS SHOULD ONLY BE FITTED BY A QUALIFIED ELECTRICIAN.

86510101/2 202 MINIMIX 140/150 SWITCHES 1 of 2



J NVR SWITCH

901/99923 (110V 50Hz) Upto 4/02
901/99921 (230V 50Hz) Upto 4/02
900/99929 (415V 50Hz)

K NVR SWITCH

70-0202 (110V 50Hz) From 4/02
70-0194 (230V 50Hz) From 4/02

JULY 1999 ONWARDS

⚠ CAUTION: ELECTRICAL ITEMS SHOULD ONLY BE FITTED BY A QUALIFIED ELECTRICIAN.

CAPACITOR REFERENCE

PART NUMBER	DESCRIPTION	BROOK CROMPTON REF No.
CMS29	110V Capacitor - silver (Run)	KP6735
CMS30	110V Capacitor 4" Blue	KP6731
CMS62	110V Capacitor 3" Blue	KP6730
CMS21	240V Capacitor White	KP7181-1 CAR ECOFILL
CMS23	240V Capacitor 3" Blue	KP6727
70-0135	110V Capacitor (Post July 1999)	
70-0136	230V Capacitor (Post July 1999)	
70-0137	415V Capacitor (Post July 1999)	