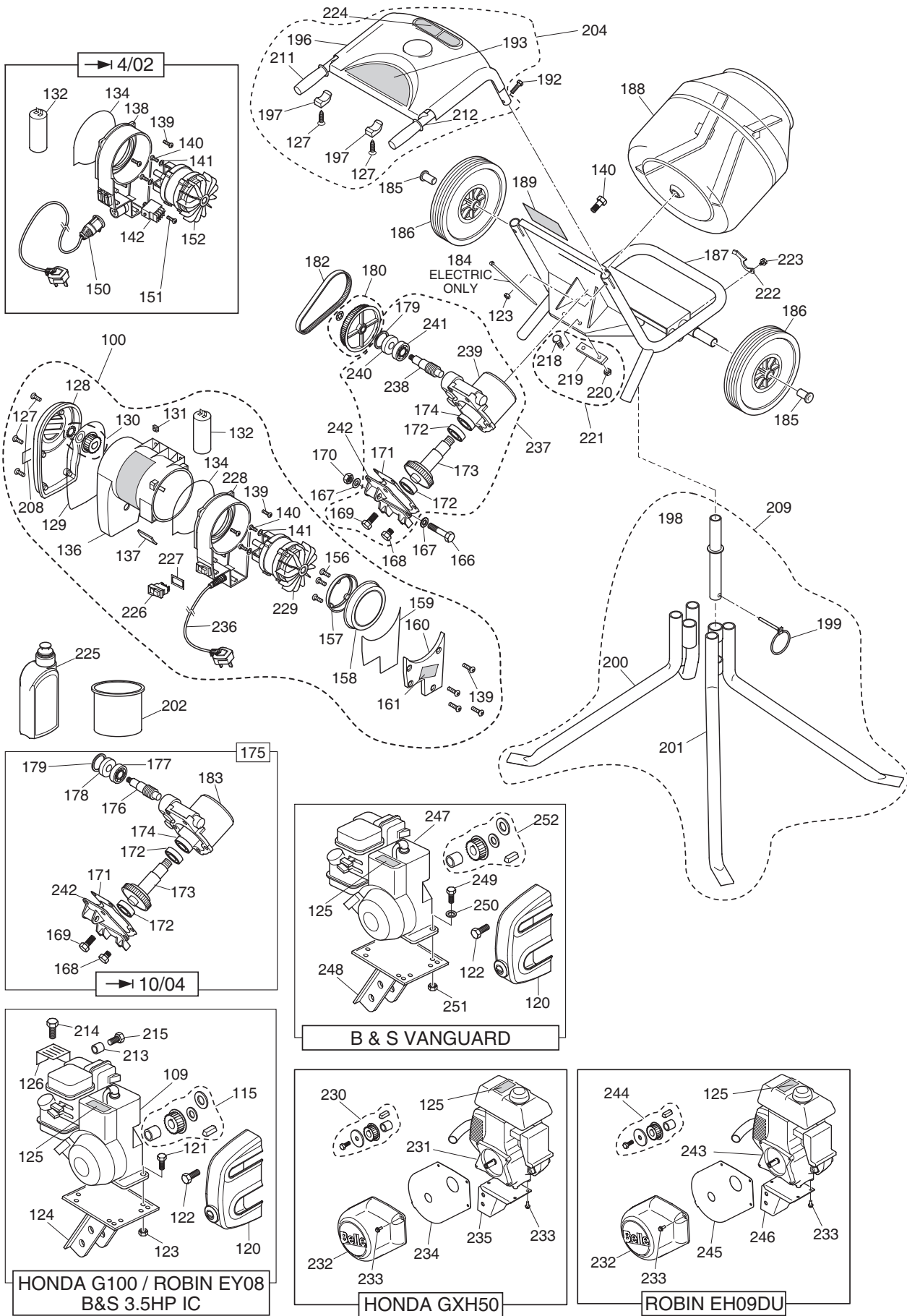


854/10150/8 03/07 Minimix 150 (Euro 1) Page 1 of 2



HONDA G100 / ROBIN EY08
B&S 3.5HP IC

B & S VANGUARD

HONDA GXH50

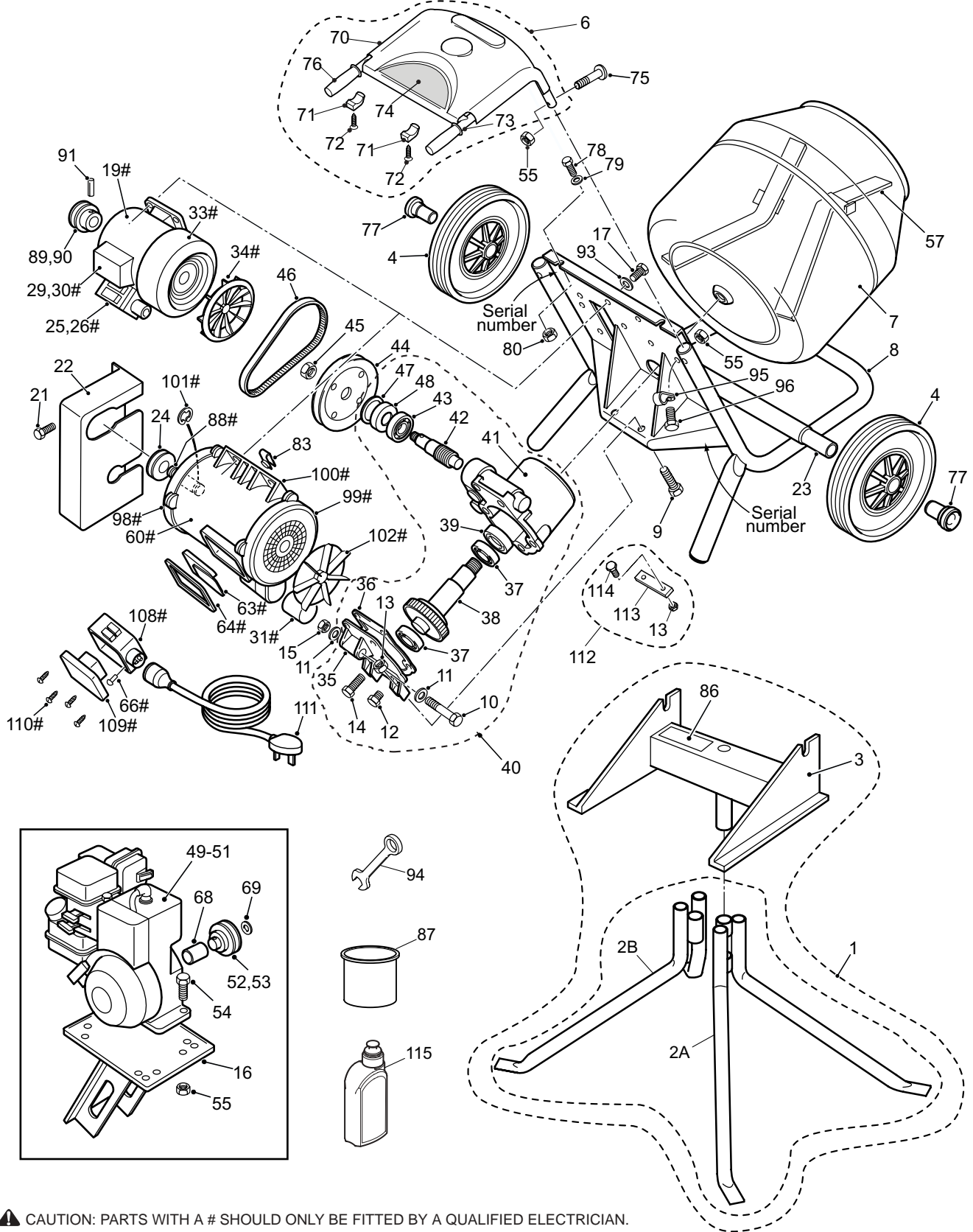
ROBIN EH09DU

ITEM NUMBER ⁽¹⁾	PART NUMBER ⁽²⁾	DESCRIPTION ⁽³⁾	ITEM NUMBER ⁽¹⁾	PART NUMBER ⁽²⁾	DESCRIPTION ⁽³⁾
100	900-30100	MOTOR KIT 230V 50HZ CEE17 (UK)	182A	900-99926	BELT (HONDA GXH50)
100A	900-30200	MOTOR KIT 230V 50HZ CEE7 EURO 1	183	MS08	GEARCASE
100B	900-30300	MOTOR KIT 110V 50HZ CEE17	184	3-6008	P-CLIP
100C	900-30400	MOTOR KIT 230V 50HZ (AUSTRALIA)	185	900-11400	WHEEL RETAINER
100D	900-30500	MOTOR KIT 415V 50HZ	186	60-0286	WHEEL
109	CMS19	ENGINE - BRIGGS & STRATTON	187	900-24800	MAINFRAME WA
109A	MS15	ENGINE - HONDA G100	188	CMS12	DRUM WA
109B	MS16	ENGINE - ROBIN	189	800-21310	DECAL DANGER ZONE
115	900-31000	ENGINE PULLEY KIT (BRIGGS)	192	9-8021	BOLT (M8 SPECIAL)
115A	900-32600	ENGINE PULLEY KIT (HONDA G100)	193	800-21300	DECAL TOP COVER
115B	900-31100	ENGINE PULLEY KIT (ROBIN)	196	900-99914	TOP COVER (MINIMIX)
120	900-99927	BELT GUARD	197	900-99918	TOP COVER CLAMP
121	7-8008	SCREW M8 X 16 (HONDA)	198	900-26600	STAND ADAPTOR WA
121A	9-8003	BOLT M8 X 35 (BRIGGS & ROBIN)	199	3-1007	LINCH PIN
122	7-10002	SCREW (10 X 3/8")	200	900-17100	STAND LEGS R/H WA (1BOSS)
123	8-8001	NUT (M8)	201	900-17000	STAND LEGS L/H WA (2 BOSS)
124	900-33200	ENGINE DECK (HONDA G100-ORANGE)	202	1-0519	PAINT - 1 LITRE TIN (ORANGE)
124A	900-33300	ENGINE DECK (BRIGGS & ROBIN-BLACK)	203	-	-
125	800-21320	DECAL HOT PARTS	204	900-31700	HANDLE ASSEMBLY
126	900-20600	EXHAUST GUARD	208	800-21327	DECAL BELT COVER
127	7-5017	SCREW (5.5 X 25 PLASFAST)	209	900-26500	STAND ASSEMBLY
128	900-26103	BELT GUARD	211	XS35	HANDLE GRIP
129	900-99907	BELT GUARD SEAL	212	900-25000	HANDLE WA (HONDA GXH50 & BRIGGS)
130	900-29900	ELECTRIC PULLEY KIT	212A	900-37800	HANDLE WA (ROBIN EH09DU)
131	8-8007	NUT (M8 LUG)	213	900-20700	SPACER (BRIGGS)
132	70-0135	CAPACITOR 25UF	214	7-8028	SCREW (BRIGGS)
132A	70-0136	CAPACITOR 110UF	215	7-8027	SCREW (BRIGGS)
134	900-99908	SWITCH HOUSING SEAL	218	9-10005	BOLT (M10 X 45)
136	900-26101	MOTOR HOUSING	219	900-99931	PLATE GEARBOX SUPPORT (→ 4/02)
137	900-26105	CABLE COVER INSERT	220	8-10009	NUT (M10)
138	900-29300	SWITCH KIT (230V-50HZ) CEE17 (→ 4/02)	221	900-32300	KIT GEARBOX SUPPORT PLATE (→ 4/02)
138A	900-28600	SWITCH KIT (230V-50HZ) CEE7 (→ 4/02)	222	900-99911	STAND CLIP
138B	900-28700	SWITCH KIT (110V-50HZ) CEE17 (→ 4/02)	223	7-8045	TAPTITE (M8 X 12 FLANGED)
138C	900-28900	SWITCH KIT (230V-50HZ) (AUST) (→ 4/02)	225	92-00002	ENGINE OIL - 450ML BOTTLE
138D	900-29000	SWITCH KIT (415V-50HZ)	226	70-0202	SWITCH ON/OFF (110V-50HZ) (→ 4/02 → 4/07)
139	7-5016	SCREW (5.5 X 16 PLASFAST)	226A	70-0194	SWITCH ON/OFF (230V-50HZ) (→ 4/02 → 4/07)
140	7-8037	SET SCREW (M8 X 20 FLANGED)	226B	👁 142C	SWITCH ON/OFF (415V-50HZ)
141	4-8008	WASHER (5/16" X 1")	226C	900-41800	KIT SWITCH ON/OFF (110V-50HZ) (→ 4/07)
142	901-99921	NVR SWITCH (230V-50HZ) (→ 4/02)	226D	900-41700	KIT SWITCH ON/OFF (230V-50HZ) (→ 4/07)
142A	901-99923	NVR SWITCH (110V-50HZ) (→ 4/02)	227	70-0195	SEAL SWITCH ON/OFF (→ 4/02)
142C	900-99928	NVR SWITCH (415V-50Hz)	228	900-34500	SWITCH KIT (110V-50HZ) (→ 4/02)
150	7-0009	SCREW (3.5 x 9.5)	228A	900-33800	SWITCH KIT (230V-50HZ) UK (→ 4/02)
151	900-18100	EXTENSION CABLE	228B	900-35100	SWITCH KIT (230V-50HZ) CEE7 (→ 4/02)
152	900-22100	MOTOR (230V-50Hz) (→ 4/02)	228C	900-34800	SWITCH KIT (230V-50HZ) AUST (→ 4/02)
152A	900-22400	MOTOR (415V-50Hz)	228D	👁 138D	SWITCH KIT (415V-50HZ)
152B	900-26800	MOTOR (110V-50HZ) (→ 4/02)	229	900-34400	MOTOR (110V-50HZ) (→ 4/02)
156	7-0008	SCREW (4 X 19)	229A	900-34300	MOTOR (230V-50HZ) (→ 4/02)
157	901-99915	INNER COVER SHIELD	229C	👁 152A	MOTOR (415V-50HZ)
158	901-99916	OUTER COVER SHIELD	230	900-36400	ENGINE PULLEY KIT (HONDA GXH50)
159	900-99909	SEAL - SWITCH COVER	231	20-0031	ENGINE (HONDA GXH50)
160	900-26104	CAP SWITCH COVER	232	900-99935	BELT GUARD (HONDA GXH50 & ROBIN)
161	800-21250	DECAL MOTOR RATING 230V-50HZ	233	7-6034	BOLT (M6 X 16)
161A	800-21260	DECAL MOTOR RATING 110V-50HZ	234	900-99934	PLATE BELT GUARD (HONDA GXH50)
161B	800-21290	DECAL MOTOR RATING 415V-50HZ	235	900-35300	ENGINE DECK (HONDA GXH50)
166	9-12005	BOLT (M12 X 70)	236	71-0180	CABLE ASSY (110V-50HZ) (→ 4/02)
167	4-1205	WASHER (M12)	236A	71-0179	CABLE ASSY (230V-50HZ) UK (→ 4/02)
168	MS12	FILLER BUNG	236B	71-0182	CABLE ASSY (230V-50HZ) AUST (→ 4/02)
169	7-8003	SET SCREW (M8 X 25 SQ FLOW)	237	900-37600	GEARBOX ASSEMBLY (→ 10/04)
170	8-12002	NUT (M12)	238	900-37601	WORMSHAFT (→ 10/04)
171	MS11	GEARBOX GASKET	239	900-37602	GEARBOX CASE (→ 10/04)
172	CMS10	BEARING (6006)	240	5/0052	OIL SEAL (→ 10/04)
173	MS09	DRUM SHAFT	241	53-0032	BEARING (→ 10/04)
174	CMS11	OILSEAL (B407)	242	MS10	GEARBOX BACKPLATE
175	900-24700	GEARBOX ASSEMBLY	243	20-0060	ENGINE - ROBIN EH09DU
176	900-24701	WORMSHAFT	244	900-38400	ENGINE PULLEY KIT - ROBIN
177	PS013	BEARING (6004)	245	900-37900	PLATE BELT GUARD - ROBIN
178	CMS41	OILSEAL	246	900-38000	ENGINE DECK - ROBIN
179	MS22	CIRCLIP	247	20-0080	ENGINE B & S VANGUARD
180	900-30000	GEARBOX PULLEY KIT	248	900-40400	ENGINE DECK W.A.
180A	900-31600	GEARBOX PULLEY KIT (HONDA GXH50)	249	7-8008	SCREW (M8 X 16)
182	900-99915	BELT TOOTHED	250	4-8006	WASHER (M8)
			251	8-8008	NUT (M8)
			252	900-40600	ENGINE PULLEY KIT

Belle Group reserves the right to alter details and specification without notice

(1) Item Number / numéro sur le schéma / número de la ilustración / número da ilustração / afbeeldingsnummer / tegningsnummeret / Teil-Nummer / numero dell'illustrazione
 (2) Part Number / Numéro de référence de la pièce / número de pieza / número da parte / stuknummer / Styknummer / Nummer auf der Abbildung / numero di parte
 (3) Description / Désignation / Descripción / Descrição / Omschrijving / Beskrivelse / Bezeichnung / Descrizione

854/10001/1 1/02 Minimix 140 / 150 Page 1 of 2



⚠ CAUTION: PARTS WITH A # SHOULD ONLY BE FITTED BY A QUALIFIED ELECTRICIAN.
ATTENTION: LES PIÈCES MARQUÉES # DOIVENT ÊTRE MONTÉES PAR UN ÉLECTRICIEN QUALIFIÉ.
PRECAUCION: LAS PARTES MARCADAS CON # SOLO DEBEN INSTALARSE POR UN ELECTRICISTA CAPACITADO.
CUIDADO: AS PEÇAS COM # SÓ DEVERÃO SER COLOCADAS POR UM ELECTRICISTA QUALIFICADO.
VOORZICHTIG: MET EEN # GEMERKTE ONDERDELEN MOGEN ALLEEN DOOR EEN BEVOEGD ELEKTROMONTEUR GEMONTEERD WORDEN.
FORSIGTIG: DELE MED ET # BØR KUN MONTERES AF EN FAGLÆRT ELEKTRIKER.
ACHTUNG: DURCH # GEKENNZEICHNETE BAUTEILE DÜRFEN NUR VON EINEM GESCHULTEN ELEKTRIKER MONTIERT WERDEN.
ATTENZIONE! LE PARTI CONTRASSEGNALE CON # DEVONO SOLO ESSERE MANEGGIATE DA UN ELETTRICISTA QUALIFICATO.
VARNING! KOMPONENTER MED A # BØR ENDAST MONTERAS AV EN UTBILDAD ELEKTRIKER.

ITEM NUMBER	PART NUMBER	DESCRIPTION	ITEM NUMBER	PART NUMBER	DESCRIPTION
1	900-14300	STAND ASSEMBLY	57	CMS13	PADDLE KIT - 2 PADDLES & BRACKET
2	900-14200	STAND BOTTOM LH & RH COMBINED	60	900-20400	MOTOR KIT (240V NVR)
2A	900-17000	STAND BOTTOM LH WA (2 BOSSES)	63	900-19200	ADAPTOR PLATE MOTOR
2B	900-17100	STAND BOTTOM RH WA (1 BOSS)	64	900-19600	GASKET
2C	900-11600	STAND TOP WA	66	900-19100	RIVET
4	60-0286	WHEEL	68	MS20	SPACER (HONDA)
6	900-25100	HANDLE ASSEMBLY	69	4-0008	WASHER (5/8")
7	CMS12	DRUM	70	900-99914	TOP COVER
8	900/11500	MAINFRAME WA (MINIMIX 150 BOXED)	71	900-99918	TOP COVER CLAMP
8A	MS05	MAINFRAME WA (MINIMIX 140)	72	7-5017	SCREW PLASFAST
9	7-10003	SET SCREW (M10 X 35)	73	900-25000	HANDLE WA
10	9-12005	BOLT (M12 X 70)	74	800-21300	DECAL TOP COVER
11	4-1205	WASHER (M12)	75	9/8021	SCREW (M8 SPECIAL)
12	MS12	FILLER BUNG	76	XS35	HANDLE GRIP
13	8-10003	NUT (M10)	77	900-11400	RETAINER WHEEL
14	7-8003	SET SCREW (M8 X 25 SQ FLOW)	78	7-6001	SET SCREW (M6 X 12)
15	8-12002	NUT (M12)	79	4-6003	WASHER (M6)
16	900-23400	MOTOR DECK	80	8-6001	NUT (M6)
17	7-8011	SET SCREW (M8 X 20)	83	8/8007	NUT (M8 LUG)
19	CMS02	MOTOR C/W PULLEY (110V-50HZ)	86	900-12600	DECAL STAND ASSEMBLY
19A	CMS65	MOTOR (110V-60HZ)	87	1-0519	PAINT - 1 LITRE TIN (ORANGE)
21	7-10002	SCREW (10 X 3/8")	87A	1-0507	PAINT - SPRAY CAN (ORANGE)
22	MS14	BELT GUARD	88	900-15000	SLEEVE MOTOR SHAFT
23	900-11503	AXLE TUBE	89	MS17	MOTOR PULLEY (5/8")
24	900-12400	PULLEY M30 MOTOR	90	CMS64	PULLEY (5/8") (60HZ)
25	CMS63	BOX SWITCH 110V NVR C/W BS4343	91	7-6008	GRUB SCREW (M6 X 8)
26	CMS36	ACC PLATE 110V	93	4-8008	WASHER (5/16" X 1")
29	CMS17	COVER - 110V/240V CAPACITOR	94	900-20500	SPANNER (M8)
30	CMS29	CAPACITOR (110V - SILVER)	95	900-10100	P-CLIP
31	CMS21	CAPACITOR (240V - WHITE)	95A	900-10200	P-CLIP (NO. 6)
33	CMS25	FAN COWL (110V/240V)	96	7-8008	SCREW SET (M8 X 16)
34	CMS24	FAN (110V/240V)	98	900-16700	COVER MOTOR PULLEY END
35	MS10	GEARBOX END PLATE (→ 89)	99	900-16800	COVER MOTOR FAN END
36	MS11	GASKET (→ 89)	100	900-16400	CASING M30 MOTOR
37	CMS10	BEARING (6006)	101	600-03150	E-CLIP
38	MS09	DRUMSHAFT	102	900-16500	FAN M30 MOTOR
38A	MS33	KIT WORM & DRUMSHAFT	108	900-19500	BOX BASE CEE7 (220V)
39	CMS11	OILSEAL	108A	900-19400	BOX BASE CEE17 (240V)
40	MS25	GEARBOX ASSEMBLY	109	900-19300	LID ASSY NVR (220V/240V)
41	MS08	GEARCASE (→ 89)	110	900-19700	SCREW LID NVR
42	MS21	WORMSHAFT	111	900-18100	CABLE EXTENSION (240V)
43	PS013	BEARING (6004)	112	900-32300	KIT GEARBOX SUPPORT PLATE
44	CMS39	GEARBOX PULLEY	113	900-99931	PLATE GEARBOX SUPPORT
45	8-12003	NUT (M12 L/H)	114	9-10005	BOLT (M10 X 45)
46	MS01	V-BELT (A23.5)	115	92-00002	ENGINE OIL - 450ML BOTTLE
46A	900-15400	V-BELT (A23) (60HZ)			
47	MS22	CIRCLIP			
48	CMS41	OILSEAL (→ 89)			
49	CMS19	ENGINE - BRIGGS & STRATTON			
50	MS15	ENGINE - HONDA			
51	MS16	ENGINE - ROBIN			
52	MS18	ENGINE PULLEY 3/4"			
53	900-21300	PULLEY (HONDA)			
53A	MS32	ENGINE PULLEY KIT (ROBIN)			
54	9-8003	BOLT (M8 X 35)			
55	8-8001	NUT (M8)			
55A	4-8002	WASHER (8MM)			