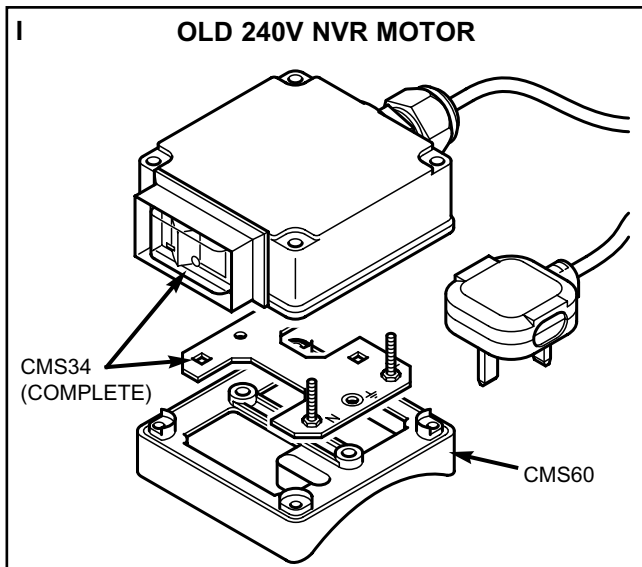
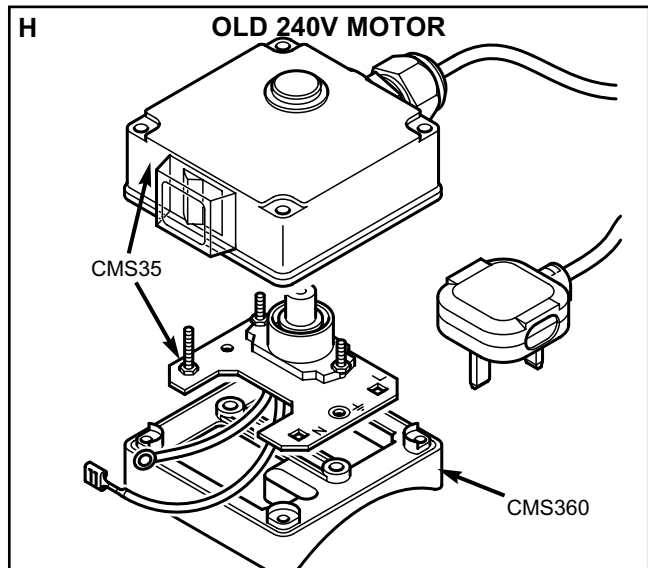
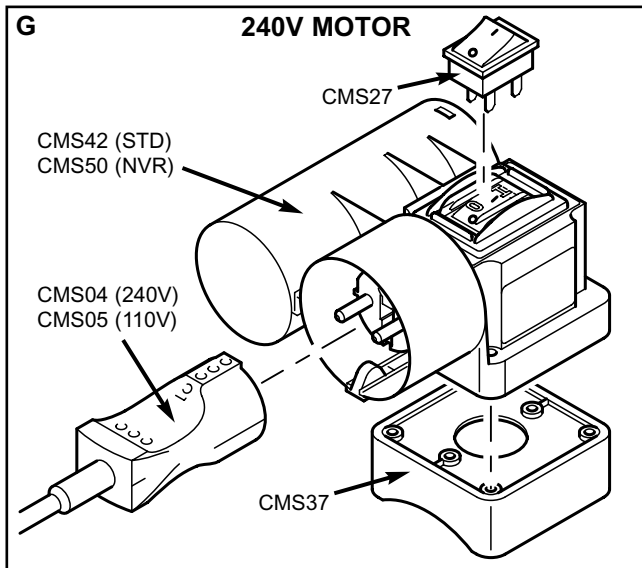


**⚠ CAUTION: ELECTRICAL ITEMS SHOULD ONLY BE FITTED BY A QUALIFIED ELECTRICIAN.**

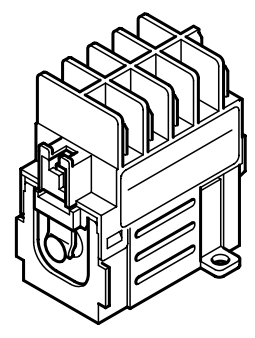
86510101/2 2/02 MINIMIX 140/150 SWITCHES 1 of 2



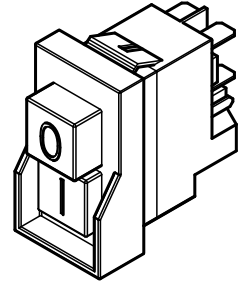
**JULY 1999  
ONWARDS**

**J NVR SWITCH**

901/99923 (110V 50Hz) Upto 4/02  
 901/99921 (230V 50Hz) Upto 4/02  
 900/99929 (415V 50Hz)



**K NVR SWITCH**



70-0202 (110V 50Hz) From 4/02  
 70-0194 (230V 50Hz) From 4/02

**⚠ CAUTION: ELECTRICAL ITEMS SHOULD ONLY BE FITTED BY A QUALIFIED ELECTRICIAN.**

## CAPACITOR REFERENCE

PART NUMBER	DESCRIPTION	BROOK CROMPTON REF No.
CMS29	110V Capacitor - silver (Run)	KP6735
CMS30	110V Capacitor 4" Blue	KP6731
CMS62	110V Capacitor 3" Blue	KP6730
CMS21	240V Capacitor White	KP7181-1 CAR ECOFILL
CMS23	240V Capacitor 3" Blue	KP6727
70-0135	110V Capacitor (Post July 1999)	
70-0136	230V Capacitor (Post July 1999)	
70-0137	415V Capacitor (Post July 1999)	