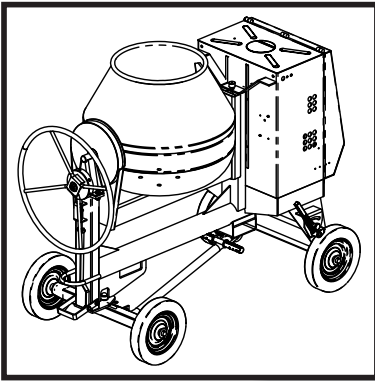




BELLE PREMIER XT

870/00002/6
01/19



GB	Operators Manual	4
F	Manuel De L'Opérateur	18
P	Manual de Operação	32
RUS	Руководство для оператора	46

- Spare Parts Book
- Pièces Détachées
- Lista de Peças
- Запасные Части Книга

60

EC DECLARATION OF CONFORMITY / DECLARATION CE DE CONFORMITE / DECLARACIÓN DE CONFORMIDAD CE / DECLARAÇÃO CE DE CONFORMIDADE / EG-VERKLARING VAN OVEREENSTEMMING / EF OVERENSSTEMMELSESERKLÆRING



We, **Belle Group Sheen UK, Sheen, Nr. Buxton, Derbyshire, SK17 0EU, GB**, hereby certify that if the product described within this certificate is bought from an authorised Belle Group dealer within the EEC, it conforms to the following EEC directives: 2006/42/CE (This directive replaces directive 98/37/EC), Electromagnetic Compatibility Directive 2004/108/CE (as amended by 89/336/EEC, 92/31/EEC & 93/68 EEC). The Waste Electrical and Electronic Equipment (WEEE) 2002/96/CE, the low voltage directive 2006/95/CE, BS EN ISO 12100-1:2003 Safety of machinery and associated harmonised standards, where applicable. Noise emissions conform to directives 2000/14/EC Annex V & 2005/88/EC

Noise Technical files are held by Ray Neilson at the Belle group Head Office address which is stated above.



Nous soussignés, **Belle Group Sheen UK, Sheen, Nr. Buxton, Derbyshire, SK17 0EU, GB**, certifions que si le produit décrit dans ce certificat est acheté chez un distributeur autorisé Belle Group au sein de la CEE, il est conforme aux normes CEE ci-après: 2006/42/CE (Cette norme remplace la norme 98/37/CE), Norme compatible pour l'électromagnétisme 2004/108/CE (modifiée par 89/336/EEC, 92/31/EEC & 93/68 EEC). Les déchets électriques, et d'équipement électronique 2002/96/CE, caractéristiques basse tension 2006/95/CE, BS EN ISO 12100-1:2003 Norme de sécurité des machines et des critères associés et configurés, si applicable. Les émissions de bruit sont conformes à la directive 2000/14/EC Annexe V et 2005/88/EC.

Bruit des fichiers techniques sont détenues par Ray Neilson à l'adresse du groupe Belle Siège qui est indiqué ci-dessus.



La Sociedad, **Belle Group Sheen UK, Sheen, Nr. Buxton, Derbyshire, SK 17 0EU, GB**, por el presente documento certifica que si el producto descrito en este certificado es comprado a un distribuidor autorizado de Belle Group en la CEE, este es conforme a las siguientes directivas: 2006/42/CE de la CEE (Esta directiva sustituye a la Directiva 98/37/CE), Directiva 2004/108/CE sobre Compatibilidad Electromagnética (según enmiendas 89/336/EEC, 92/31/EEC & 93/68 EEC). Los residuos eléctricos y electrónicos (RAEE) 2002/96/CE, Directiva sobre Bajo Voltaje 2006/95/CE, BS EN ISO 12100-1:2003 de Seguridad de Maquinaria y Niveles armonizados estándares asociados donde sean aplicables. Emisión de Ruidos conforme a la Directiva 2000/14/CE Anexo V y 2005/88/EC.

Archivos de ruido técnicos están en manos de Ray Neilson en la dirección del grupo Belle Sede de la que se ha dicho.



O signatário, **Belle Group Sheen UK, Sheen, Nr. Buxton, Derbyshire, SK 0EU, GB**, pelo presente, declara que se o produto descrito neste certificado foi adquirido a um distribuidor autorizado do Belle Group em qualquer país da UE, está em conformidade com o estabelecido nas seguintes diretivas comunitárias: 2006/42/CE (Esta directiva substitui a Directiva 98/37/CE), Directiva de Compatibilidade Electromagnética 2004/108/CE (conforme corrigido pelas 89/336/EEC, 92/31/EEC & 93/68 EEC). O Elétrico de Desperdiço e Equipamento Eletrónico (DEEE) 2002/96/CE, a directiva de baixa voltagem 2006/95/CE, BS EN ISO 12100-1:2003 Segurança da maquinaria e às normas harmonizadas afins se aplicáveis. As emissões de ruído respeitam e estão dentro das diretivas para máquinas 2000/14/EC Anexo V & 2005/88/EC

Arquivos de ruido técnicos são detidos por Ray Neilson no endereço Escritório Belle grupo Cabeça que é dito acima.



Ondergetekende, **Belle Group Sheen UK, Sheen, Nr. Buxton, Derbyshire, SK17 0EU, GB**, verklaren hierbij dat als het product zoals beschreven in dit certificaat is gekocht van een erkende Belle Group dealer binnen de EEG, het voldoet aan de volgende EEG richtlijnen: 2006/42/CE (Deze richtlijn vervangt Richtlijn 98/37/EC), Electromagnetische Compatibiliteit Richtlijn 2004/108/CE (geamendeerd door 89/336/EEC, 92/31/EEC & 93/68 EEC). De afgedankte elektrische en elektronische apparatuur (AEEA) 2002/96/CE, de Laagspannings Richtlijn 2006/95/CE, BS EN ISO 12100-1:2003 Veiligheid van Machines en hieraan gekoppelde geharmoniseerde Standaarden, waar deze van toepassing is. Geluidshinder te voldoen aan de richtlijnen 2000/14/EG en 2005/88/EG bijlage V.

Lawaai Technische dossiers zijn in handen van Ray Neilson op de Belle groep hoofdkantoor adres, dat staat boven.



Vi, **Belle Group Sheen UK, Sheen, Nr. Buxton, Derbyshire, SK17 0EU, GB**, erklærer hermed, at hvis det i dette certifikat beskrevne produkt er købt hos en autoriseret Belle Group forhandler i EU, er det i overensstemmelse med følgende EØF-direktiver: 2006/42/CE (Dette direktiv erstatter direktiv 98/37/EF), 2004/108/EØF (som ændret ved 89/336/EEC, 92/31/EØF & 93/68 EØF), Afald af elektrisk og elektronisk udstyr (WEEE) 2002/96/CE, lavspændingsdirektivet 2006/95/CE, BS EN ISO 12100-1:2003 Maskinsikkerhed og tilhørende harmoniserede standarder, hvor det er relevant. Støjemission i overensstemmelse med direktiverne 2000/14/EF bilag V og 2005/88/EF.

Støj Tekniske filer er i besiddelse af Ray Neilson på Belle-gruppen hovedkontoret adresse, som er nævnt ovenfor.

PRODUCT TYPE	TYPE DE PRODUIT.....	TIPO DE PRODUCTO
MODEL	MODELE	MODELO
SERIAL No.....	N° DE SERIE	N° DE SERIE
DATE OF MANUFACTURE.	DATE DE FABRICATION	FECHA DE FABRICACIÓN
SOUND POWER LEVEL MEASURED /	NIVEAU DE PUISSANCE SONORE MESUREE /	NIVEL DE POTENCIA ACÚSTICA MEDIDO /
.....(GUARANTEED)(GARANTIE)(GARANTIZADO)
WEIGHT	POIDS	PESO
TIPO DE PRODUCTO.....	PRODUCTTYPE.....	PRODUKTTYPE
MODELO	MODEL	MODEL
NO. DE SERIE	SERIENUMMER	SERIENR.....
DATA DE FABRIC.....	FABRICAGEDATUM	FREMSTILLINGSDATO
NIVEL DE POTENCIA DE SOM MEDIDO /	GEMETEN GELUIDSSTERKTE/NIVEAU /	LYDEFFEKTNIVEAU MÅLT /
.....(GARANTIDO)(EGARANDEERD)(GARANTERET)
PESO.....	GEWICHT.....	VÆGT.....



Signed by:
Signature:
Medido por:
Assinado por:
Getekend door:
Underskrevet af:

Ray Neilson

Managing Director - On behalf of BELLE GROUP (SHEEN) UK.
Le Directeur Général - Pour le compte de la SOCIETE BELLE GROUP (SHEEN) UK.
Director Gerente - En nombre de BELLE GROUP (SHEEN) UK.
Director-Geral - Em nome de BELLE GROUP (SHEEN) UK.
Algemeen Directeur - Namens BELLE GROUP (SHEEN) UK.
Administrerende direktør - På vegne af BELLE GROUP (SHEEN) UK.

Place of Declaration - Sheen, Nr. Buxton, Derbyshire, SK17 0EU, UK	Date of Declaration - 2000
Lieu de déclaration - Sheen, Nr. Buxton, Derbyshire, SK17 0EU, UK	Date de déclaration - 2000
Declaración hecha en - Sheen, Nr. Buxton, Derbyshire, SK17 0EU, UK	Fecha de la declaración - 2000
Lugar de Declaração - Sheen, Nr. Buxton, Derbyshire, SK17 0EU, UK	Data da Declaração - 2000
Plaats van de Verklaring - Sheen, Nr. Buxton, Derbyshire, SK17 0EU, UK	Datum van de verklaring - 2000
Sted i erklæring - Sheen, Nr. Buxton, Derbyshire, SK17 0EU, UK	Dato for erklæringen - 2000

**СЕРТИФИКАТ СООТВЕТСТВИЯ / EÜ VASTAVUSDEKLARATSIOON / ATBILSTĪBAS
DEKLARĀCIJA / ES ATITIKTĪES DEKLARACIJA / ДЕКЛАРАЦИЯ ЗА СПАЗВАНЕ НА
ИЗИСКВАНИЯ / ΕΕ ΔΗΛΩΣΗ ΚΑΤΑΛΛΗΛΟΤΗΤΑΣ**



Мы, нижеподписавшиеся, от имени Belle Group Sheen (Великобритания), Sheen, Nr. Buxton, Derbyshire, SK17 0EU, Великобритания, заявляем, что в случае, если описанная в данном сертификате продукция была приобретена у уполномоченного представителя Белле Груп в ЕС, то она соответствует следующим директивам ЕС: 2006/42/CE (Эта директива заменяет директиву 98/37/ЕЕС), директиве электромагнитной совместимости 2004/108/CE (дополненной 89/336/ЕЕС, 92/31/ЕЕС & 93/68 ЕЕС), Утилизации электрического и электронного оборудования (WEEE) 2002/96/CE, 2006/95/CE Директива низкого напряжения, BS EN ISO 12100-1:2003 Безопасность машин и связанные с ними гармонизированных стандартов, где это применимо. Уровень шума соответствует директивам 2000/14/EC Приложение V и 2005/88/EC.
Шум технического файлы хранятся Рэй Нельсон на руководителя группы Belle Управления адрес, который указан выше.



Meie, **Belle Group Sheen UK, Sheen, Nr Buxton, Derbyshire, SK17 0EU, GB**, kinnitame, et kui kirjeldatud toote jooksul käesoleva sertifikaadi on ostetud lubatud Belle nimel vahendaja jooksul EMÜ, see vastab järgmistele EMÜ direktiividele: 2006/42/CE (käesolev direktiiv asendab direktiivi 98/37/EEK), elektromagnetilise ühilduvuse direktiivi 2004/108/CE (muudetud 89/336/ЕЕВ, 92/31/ЕЕВ и 93/68 ЕЕВ). Ja elektroonikaseadmete jäätmete (WEEE) 2002/96/CE, madalpinge direktiivi 2006/95/CE, BS EN ISO 12100-1:2003 Masinate ohutus ning sellega seotud ühtlustatud standarditele, kui see on kohaldatav. Müra osas vastama direktiivi 2000/14/ЕU V lisa ja 2005/88/EU.
Müra Tehniline faile hoitakse Ray Neilson kell Belle grupi peakontor aadress, mis on märgitud eespool.



Mēs, **Belle Group Sheen UK, Nr. Buxton, Derbyshire, SK17 0EU, ar šo apliecinām**, ar šo apliecinām, ja produkts aprakstīts šajā sertifikātā ir iegādājies no pilnvarota Belle grupas dilerā teritorijā EEK, tā atbilst šādam EK direktīvam: 2006/42/CE (Šī direktīva aizvieto Direktīvu 98/37/EEK), Elektromagnētiskās saderības direktīvu 2004/108/CE (kurā grozījumi izdarīti ar 89/336/ЕЕВ, 92/31/ЕЕК un 93/68 ЕЕК). Elektrisko un elektronisko iekārtu atkritumiem (EIA), 2002/96/CE, zemsprieguma directive 2006/95/CE, BS EN ISO 12100-1:2003 Mašīnu drošība un saistītos saskaņotus standartus, ja vajadzīgs. Trokšņa emisijas neatbilst Direktīvas 2000/14/EC V pielikumā un 2005/88/EC.
Trokšņa Tehniskās faili tur Ray Neilson pie Belle grupas galvenā biroja adrese, kas norādīts iepriekš.



Mes, **Belle Group Sheen UK, Sheen, Nr Buxton, Derbyshire, SK 0EU, GB**, patvirtinome, kad jei produktas, kaip aprašyta šio sertifikato pirkti iš leidžiama Belle frakcijos atstovos pagal EEB, jis atitinka šiuos EEB direktyvas: 2006/42/CE (ši direktyva pakeičia Direktyvą 98/37/ЕЕК), elektromagnetinio suderinamumo direktyvos 2004/108/CE (su pakeitimais, padarytais 89/336/ЕЕВ, 92/31/ЕЕВ ir 93/68 ЕЕВ). Elektros ir elektroninės įrangos atliekų (EE) atliekų), 2002/96/CE, Žemosios įtampos įrangos direktyvą 2006/95/CE, LST EN ISO 12100-1:2003 Mašinų sauga ir susiję dariniai standartai, jei taikytina. Triukšmo emisija neatitinka Direktyvos 2000/14/EB V priede UN 2005/88/EB.
Triukšmo Techniniai failai vyks Ray Neilson Belle grupės buveinės adresu, kuris nurodytas aukščiau.



Компанията, **Belle Group Sheen UK, Sheen, Nr. Buxton, Derbyshire, SK17 0EU, GB**, се удостоверява, че ако стоката е описано в този сертификат е закупен от авторизиран дилър Belle група в рамките на ЕИО, то отговаря на следните директиви на ЕИО: 2006/42/CE (настоящата директива заменя Директива 98/37/ЕО), електромагнитна съвместимост Директива 2004/108/CE (както е изменен с 89/336/ЕИО, 92/31/ЕИО & 93/68 ЕИО). За отпадъците от електрическо и електронно оборудване (ОЕО), 2002/96/CE, нисково напрежение директива 2006/95/CE, BS EN ISO 12100-1:2003 Безопасност на машините и свързаните с тях хармонизирани стандарти, когато е приложимо. Шум емисии съответства на Директива 2000/14/ЕО приложение V и 2005/88/ЕО.
Шум Технически файлове се провеждат от Рей Нийлсън в групата адрес Belle централното управление, което е посочено по-горе.



Εμείς, η **Belle Group, Sheen UK, Sheen, Nr. Buxton, Derbyshire, SK17 0EU, Μεγάλη Βρετανία**, βεβαιώνω ότι, αν το προϊόν που περιγράφεται σε αυτό το πιστοποιητικό έχει αγοράσει από εξουσιοδοτημένο αντιπρόσωπο Belle ομάδα στο εσωτερικό της ΕΟΚ, θα συμμορφώνεται με τις ακόλουθες οδηγίες ΕΟΚ: 2006/42/CE (Η παρούσα οδηγία αντικαθιστά την οδηγία 98/37/ΕΚ), Ηλεκτρομαγνητική Συμβατότητα οδηγία 2004/108/CE (όπως τροποποιήθηκε από την 89/336/ΕΟΚ, 92/31/ΕΟΚ και 93/68 ΕΟΚ), Τα Απόβλητα Ηλεκτρικού και Ηλεκτρονικού Εξοπλισμού (ΑΗΝΕ) 2002/96/CE, η οδηγία 2006/95/CE χαμηλής τάσης, BS EN ISO 12100-1:2003 Ασφάλεια μηχανών και των σχετικών εναρμονισμένων προτύπων, ανάλογα με την περίπτωση, Εκπομπές θορύβου σύμφωνα με την οδηγία 2000/14/ΕΚ παράρτημα V και 2005/88/ΕΚ.
Ο θορύβου Τεχνικά αρχεία που κατέχονται από Ray Neilson στην ομάδα Belle Διεύθυνση εξόφας που αναφέρεται παραπάνω.

ТИП ПРОДУКЦИИ.....	TOOTE TÛUP.....	PRODUKTA TIPS.....
МОДЕЛЬ.....	MUDEL.....	MODELIS.....
СЕРИЙНЫЙ НОМЕР.....	SERIANUMBER.....	SĒRIJAS NR.....
ДАТА ВЫПУСКА.....	VALMISTAMISE KUUPÄEV.....	IZGATAVOŠANAS DATUMS.....
УРОВЕНЬ ШУМА ЗАМЕР ПРОИЗВЕДЕН /(ГАРАНТИРОВАН)	HELITUGEVUSE TASE MŌDDETUV /(GARANTEERTUD)	IZMĒRĪTAIS SKANAS JAUDAS LĪMENIS /(GARANTĒTAIS)
ЧАСТОТА.....	KAAL.....	MASA.....
GAMINIO TIPAS.....	ВИД НА ПРОДУКТА.....	Τύπος προϊόντος.....
MODELIS.....	ΜΟΔΕΛ.....	Μοντέλο.....
SERIJOS NR.....	СЕРИЕН НОМЕР.....	Αριθμός Σειράς.....
PAGAMINIMO DATA.....	ДАТА НА ПРОИЗВОДСТВО..	Μετρημένη.....
GARSO STIPRUMO LYGIS IŠMATUOTAS /(GARANTUOTAS)	НИВО НА СИЛАТА НА ЗВУКА ИЗМЕРЕНО /(ГАРАНТИРАНО)	Σταθμή Θορύβου Κατά Την Ημερομηνία Κατασκευής / (Εγγραφή)
SVORIS.....	ТЕОЯЛ.....	Βάρος.....



Подпись:
Alla kirjutanud:
Paraksts:
Pasiraše:
Подпис:
Υπογραφή:

Ray Neilson

исполнительный директор - от имени БЕЛЛЕ ГРУП ШИИН (ВЕЛИКОБРИТАНИЯ).
Tegevdirektor - BELLE GROUP (SHEEN) UK poolt.
Vadošais direktors - Pārstāvēt BELLE GROUP (SHEEN) UK.
Generalinis direktorius - BELLE GROUP (SHEEN) UK vardu.
Рей Нийлсън - Управляващ директор от името на BELLE GROUP (SHEEN) UK.
Διευθύνων Σύμβουλος - εκ μέρους της BELLE GROUP (SHEEN) Μεγάλη Βρετανία.

Место декларирования - Sheen, Nr. Buxton, Derbyshire, SK17 0EU, UK
Koht deklaratsiooni - Sheen, Nr. Buxton, Derbyshire, SK17 0EU, UK
Vieta deklarācijai - Sheen, Nr. Buxton, Derbyshire, SK17 0EU, UK
Vieta deklarācijas - Sheen, Nr. Buxton, Derbyshire, SK17 0EU, UK
Дата на декларация - Sheen, Nr. Buxton, Derbyshire, SK17 0EU, UK
Τόπος Διακήρυξης - Sheen, Nr. Buxton, Derbyshire, SK17 0EU, UK

Дата декларирования - 2000.....
Deklaratsiooni kuupäev - 2000.....
Dienas deklarācija - 2000.....
Дата декларācijas - 2000.....
Μήτο на декларация - 2000.....
Ημερομηνία δήλωσης - 2000.....



Engine Warranty

The engines installed in the Altrad Belle Premier XT range of mixers carry a 12 month warranty. Any problems encountered with the engine, during the warranty period should be dealt with by the relevant approved engine dealer, nearest to yourself.

If you require the name of your nearest approved engine dealer, a full listing is available on request from Altrad Belle.

Serial Numbers

ATTENTION! Make a note of the serial numbers of your machine and always quote them in any communication with a Altrad Belle Dealer.

MACHINE SERIAL NUMBER

ENGINE / MOTOR SERIAL NUMBER



Introduction

Congratulations on the purchase of this quality concrete mixer from the Altrad Belle range.

This machine is manufactured to conform to the EEC directives currently in force and is issued with a declaration of conformity and therefore displays the CE mark, applicable in territories where they are enforced.

Read this manual carefully, observing all operating and safety instructions before, during and after using your machine. Maintain your machine in good working order.

When maintaining this machine only the manufacturer's original spare parts may be used. The user will lose any possible claims if replacement parts used are other than the makers original spare parts.

Retain this manual with your machine for future reference.

SAFETY AND ACCIDENT PROTECTION

Operating Instructions :

All persons who apply, assemble, operate, start, control, maintain or repair this machine must read and understand these operating instructions.

Owner Responsibility :

The owner must ensure that only qualified persons operate, maintain, or repair this machine.

Storage :

When not in use, store in a dry, locked place. Keep away from children.

Operation for the Intended Purpose :

Mixers are intended for the production of concrete, mortar and plaster. The mixer must be used for its intended purposes and is not suitable for the mixing of flammable or explosive substances. The mixers must not be used in an explosive atmosphere.

MAINTENANCE AND REPAIRS

Only authorised dealers should repair the mixer, and within the requirements of the CE mark (where applicable), where no deviation to the original specification must take place.



WARNING

Any maintenance and repairs carried out, to any of the electric motors components must be undertaken by a qualified electrician.

REPLACEMENT PARTS

Contact your nearest Altrad Belle dealer. When ordering replacement parts, please quote the product type, serial number & engine/ motor model. Detail the part required in conjunction with the parts list provided, indicating the Page Number, Item Number and quantity required.

	Page number
Engine Warranty	4
Introduction	4
Warning Symbols	5
Plug Wiring	5
Safety Instructions	6
Transportation	7
Mixing Positions	7
Functional Controls	8
Technical Data	9
Operating Instructions - Electric Motors	10
Operating Instructions - Yanmar L48	11
Operating Instructions - Lister Petter Build 10 & 32	11
Maintenance Instructions	12 - 13
Lister Petter 10 & 32 Checks & Maintenance schedule	14
Yanmar L48 Checks & Maintenance schedule	15
Wiring Diagram	16
Mixing Hints	17
Warranty	17

Altrad Belle reserves the right to change machine specification without prior notice or obligation.

Warning Symbols



WEAR EAR PROTECTION



FIRE AND EXPLOSIVE RISK



READ OPERATOR
MANUAL



WEAR EYE PROTECTION



WEAR PROTECTIVE
FOOTWEAR



LIFTING POINT

WARNING - IMPORTANT

The Premier range of mixers are intended for industrial use, the following plug types are supplied fitted to the product:

110V motor - 32 amp rated BS4343 plug type.

230V motor - 16 amp rated BS4343 plug type.

415V motor - 32 amp rated BS4343 plug type.

Fitting a plug - **WARNING THIS PRODUCT MUST BE EARTHED**

IMPORTANT: The wires in the mains lead are coloured in accordance with the following code:

GREEN / YELLOW = EARTH, BLUE = NEUTRAL, BROWN = LIVE

The wire which is coloured Green and Yellow must be connected to the terminal in the plug marked E or coloured Green and Yellow. The wire which is coloured Brown must be connected to the terminal in the plug marked L or coloured Red. The wire which is coloured Blue must be connected to the terminal in the plug marked N or coloured Black.

Always ensure before connecting to the supply that the supply voltage is the same as the rated voltage marked on the motor.

READ THESE SAFETY INSTRUCTIONS

Please read and understand all running/safety instructions before operating this machine.

**CAUTION**

The appliance is not to be used by children or persons with reduced physical, sensory or mental capabilities, or lack of experience and knowledge unless they have been given supervision or instruction. Children should be supervised to ensure that they do not play with the appliance.

BEFORE STARTING THE MIXER

- Check that all guards are in position and correctly fitted.
- **DO NOT** wear loose clothing or jewellery that may become entangled in the workings of this machine. Suitable clothing as follows should meet relevant EEC/local safety standards: overalls, work boots, goggles, face mask, gloves and ear defenders etc.
- On electric powered mixers, ensure that any trailing cable is protected against damage and not liable to be tripped over or trapped underneath the mixer.
- **Altrad Belle strongly recommends the use of a Residual Current Device on 220-240v electrics.**
- Remove all packaging material before operating.

WHEN OPERATING THE MIXER

- Keep engine housing lid closed whilst it is mixing.
- Keep unauthorised persons away from mixing drum.
- Keep area around the mixer clear of obstructions which could cause persons to fall onto moving parts.
- Always ensure mixer is on level ground before mixing.
- Ensure rear wheel brakes are applied before operating the mixer.
- **DO** become familiar with the controls before operating this machine.
- **DO** ensure plenty of ventilation when running the diesel engines in a confined area.
- **DO** replace any worn/damaged warning decals.
- **DO** ensure the drum is rotating while emptying the mixer.
- **DO** always switch off and remove the plug from the socket if leaving the machine unattended.
- **DO NOT** transport this mixer when mixing.
- **BEWARE** of the danger zones.

EMERGENCY STOP

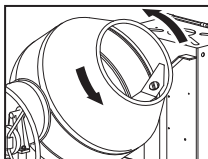
See Operating Instructions Section for details.

FIRE FIGHTING

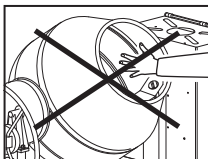
If your mixer catches fire, turn off the electric supply.

Using a dry powder or CO₂ fire extinguisher put out the fire. If the fire can not be put out, keep away and call the fire brigade.

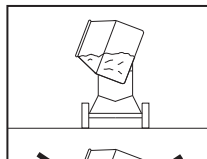
If you are in any doubt about the safety condition of your machine, please consult your nearest Altrad Belle dealer or Altrad Belle direct.



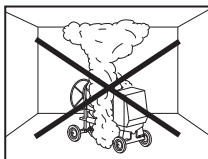
DRUM ROTATES ANTI-CLOCKWISE



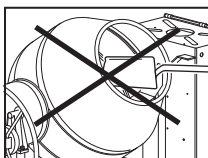
DO NOT PUT ANY PART OF YOUR BODY IN THE DRUM



ALWAYS WORK WITHIN THE RATED CAPACITY



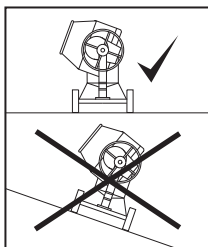
ALWAYS MIX IN WELL VENTILATED PLACES EXHAUST FUMES CAN KILL



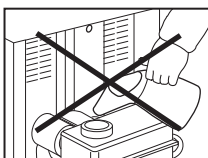
DO NOT PUT SHOVEL IN THE DRUM



LOAD AND UNLOAD FROM THE TRANSPORT CORRECTLY (See Transport Section in Manual)



ALWAYS MIX ON LEVEL GROUND



DO NOT FILL WITH FUEL OR LUBRICATION OILS WHILST ENGINE IS RUNNING

LOADING BY FORK LIFT

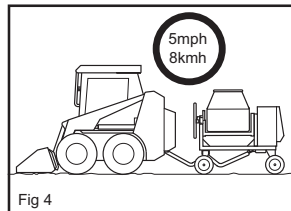
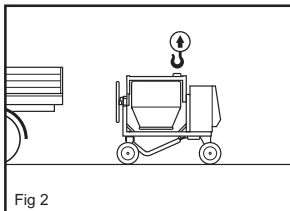
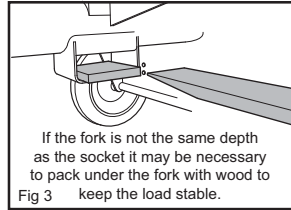
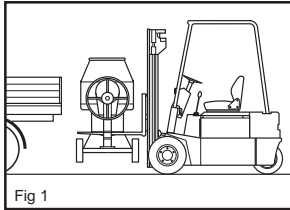
- For normal site to site transporting, the usual method of loading into a pick-up truck or trailer should be used. A fork socket (Fig 3) is located beneath the main frame to enable the mixer to be loaded using a forklift (Fig 1).

LOADING BY CRANE

- To expose the lifting eye, turn the drum so it is facing down, (Fig 2).
- Ensure the lifting ropes are inspected to the current Health and Safety guidelines and are sufficient to carry the total weight of the mixer. See technical data. Ensure the lifting hook is correctly located prior to lifting the machine.
- **DO NOT** stand underneath the machine whilst it is being lifted.

TOWING

- These mixers are designed for on site towing only, maximum speed 5mph/8 kmh (Fig 4), for short periods of time.
- **DO NOT** tow on a public highway.



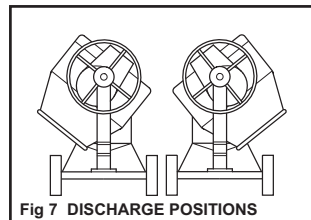
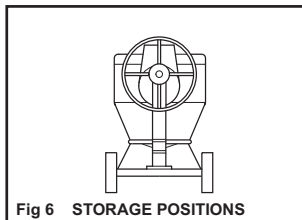
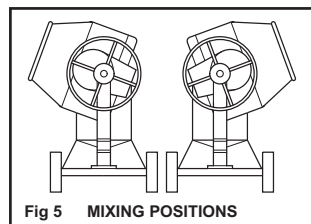
Mixing Positions

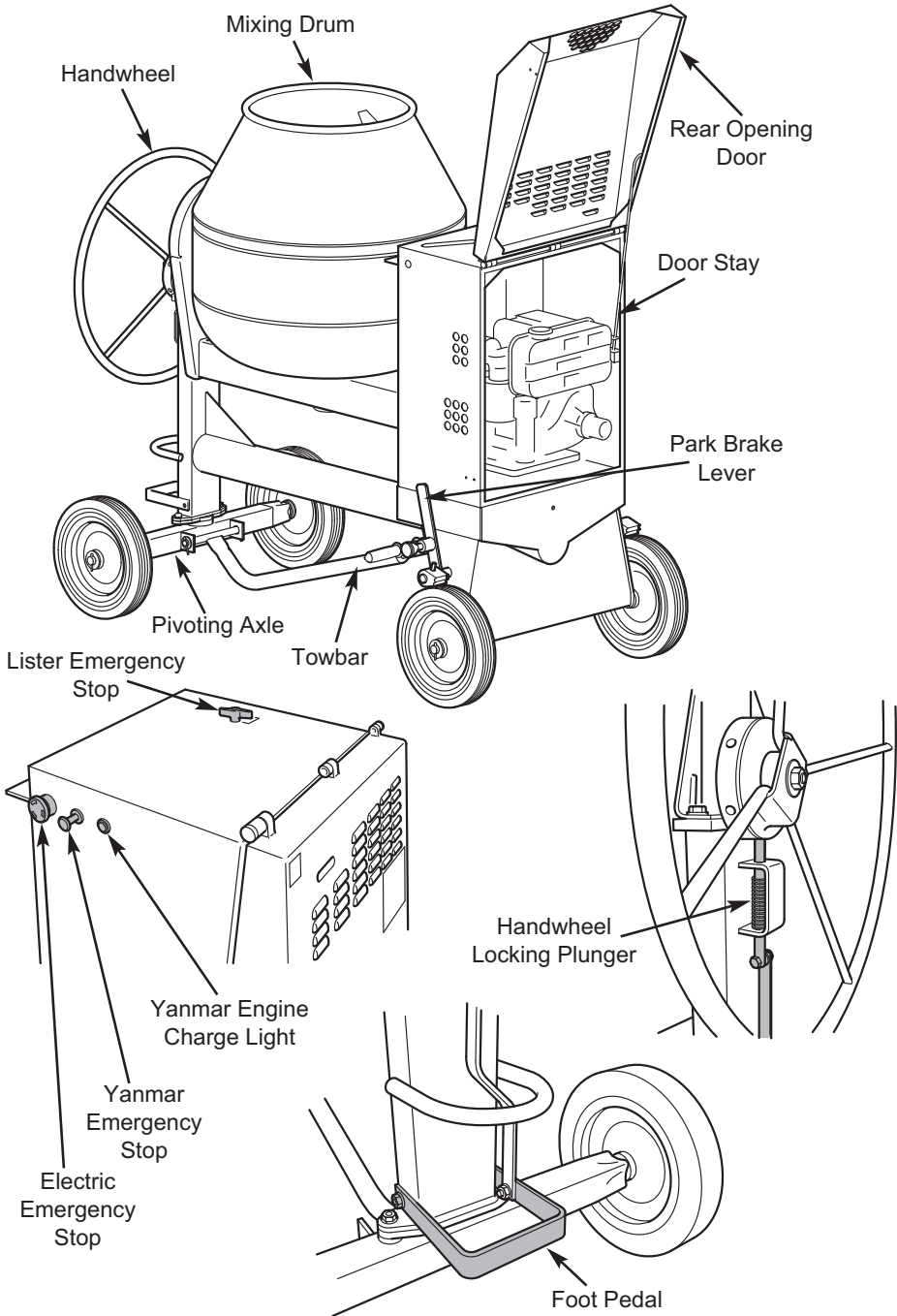
DRUM TILTING

The hand wheel gives an easy positive control of the drum which can be locked in the stored, mix, and discharge position.

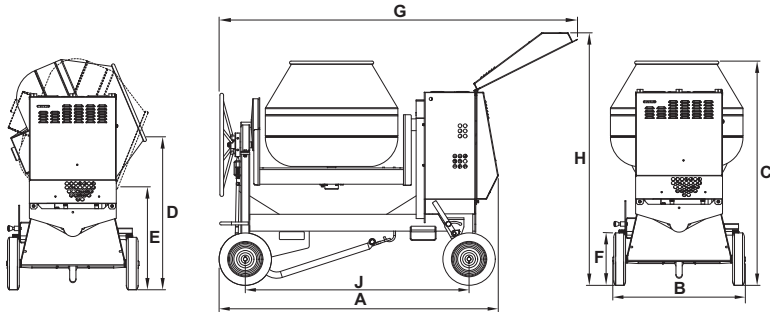
The drum is locked in position by a self locating plunger which engages into the handwheel. To move the drum the locating plunger must be dis-engaged, this is done by pressing down on the footpedal (this is situated just above the pivoting front axle), the handwheel will now move freely allowing the re-positioning of the drum, to relock the drum in position, release the footpedal and rotate the handwheel until the self-locating locking plunger engages into the handwheel ring.

- **DO NOT** put your hand through the hand wheel.
- **ALWAYS** keep both hands on the hand wheel.





Technical Data



	100XT	150XT	175XT	200XT
A - OVERALL LENGTH (MM)	1765	1765	1890	1890
B - OVERALL WIDTH (MM)	900	900	900	900
C - OVERALL HEIGHT (MM)	1475	1560	1520	1590
D - LOADING HEIGHT (MM)	1025	1065	1000	1050
E - DISCHARGE HEIGHT (MM)	710	656	650	615
F - DIAMETER OF WHEELS (MM)	350	350	350	350
G - OVERALL LENGTH - DOOR OPEN (MM)	2085	2085	2390	2390
H - OVERALL HEIGHT - DOOR OPEN (MM)	1950	1950	1950	1950
J - WHEEL BASE	1295	1295	1520	1520
CUBIC FEET IN/OUT	5/3.5	7/5	8/6	10/7
MIXED BATCH OUTPUT (LTR)	110	160	180	220
MAX DRUM CAPACITY (LTR)	250	300	350	400
MAX DRY MIX DRUM CAPACITY IN (LTR)	160	220	250	310
DRUM SPEED (RPM)	19	19	19	19

ELECTRIC RANGE	100XT	150XT	175XT	200XT	100XT	150XT	175XT	200XT	100XT	150XT	175XT	200XT
	UNLADEN WEIGHT (Kg)	305.5	314.5	322.5	325	303.5	312.5	320.5	323	305.5	314.5	322.5
NOMINAL VOLTAGE (V)	110				240				415			
NOMINAL CURRENT (Amp)	13.7				6.6				3.6			
NOMINAL POWER					1.5							
VOLTAGE FREQUENCY (Hz)					50							
MOTOR RPM	1350				1430				1500			
MOTOR PROTECTION	Thermal / NVR											
POWER CONSUMPTION (Kwh)	1.5											
SOUND POWER LEVEL (LWA)	87dB(A)											
DIESEL RANGE	LISTER				YANMAR							
	100XT	150XT	175XT	200XT	100XT	150XT	175XT	200XT				
UNLADEN WEIGHT (Kg)	367	376	392.5	395	334.5	343.5	350.5	353.5				
ENGINE MODEL	LT1 (Build 32)		LT1 (Build 10)		L48							
NOMINAL POWER (KW)	0.75		1.9		2.3							
STARTING METHOD	Hand Crank				Electric / (Recoil Backup)							
FUEL CAPACITY	5				2.5							
SOUND POWER LEVEL (LWA)	99 dB(A)											

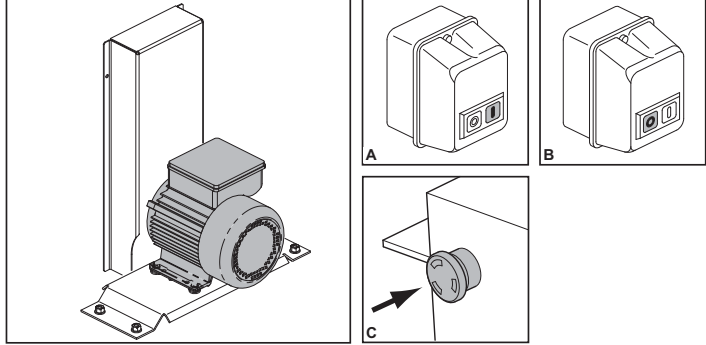
1. ELECTRIC MOTOR : VARIANTS

STOPPING

- 1.1 Depress RED Button (or on/off toggle switch if fitted to the Off position) to stop mixer (Fig B).

STARTING

- 1.2 Lift rear door.
1.3 Feed supply cable out through the rear of the mixer and plug into power supply.
1.4 Depress GREEN Button (or on/off toggle switch if fitted to the On position) to start mixer (Fig A).



- Ensure supply cable is safely stored before moving mixer.
- Keep rear door shut when mixer is running

EMERGENCY STOP

- 1.5 Depress large RED Button, situated on top left hand side of power unit housing (Fig C).

2. YANMAR (ELECTRIC START)

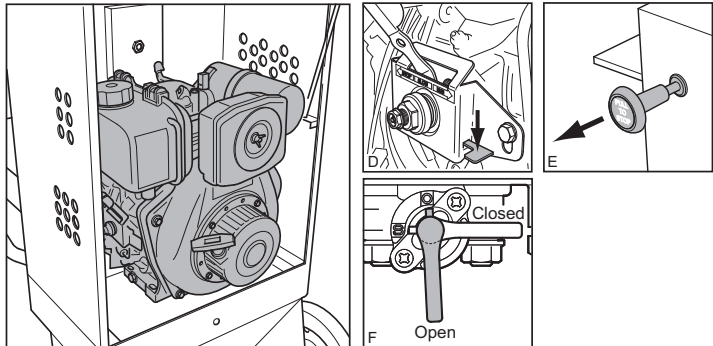
STOPPING

- 2.1 Press Red Lever (Fig D).
2.2 Turn Ignition Key Anti-Clockwise (Fig J)

- **Note:** Red indicator light glows when engine charging system fails.
- **Ensure that when machine is not in use that ignition is switched OFF, or battery failure may occur.**

EMERGENCY STOP

- 2.3 Pull the handle on the side of the power unit box to STOP the machine (Fig E).



COLD STARTING

- 2.4 Lift rear door.

- **Open fuel cock if fitted (Fig F).**

- 2.5 In cold starting situations the engine requires 2cc of engine oil (10w-30) to be applied using oil applicator. The oil should be inserted into the engine by removing the rubber plug on the priming port, ensure the plug is replaced (Fig G).

- 2.6 Ensure the Emergency Stop Button is pushed in (Fig H).

- 2.7 Set the engine speed lever (situated on the left hand side of engine) to the run position (Fig I).

- 2.8 Turn Ignition Key Clockwise until Engine turns over, release key when engine starts. If engine fails to start, repeat process of cold start.

- **Note:** Once an attempt to start the engine has failed, before re-trying the key must be turned back to the OFF position.
- **DO NOT operate with rear door open.**

WARM STARTING

- 2.8 Repeat process above from 2.5.

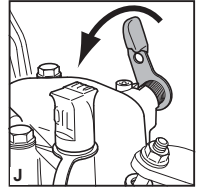
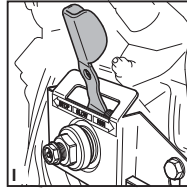
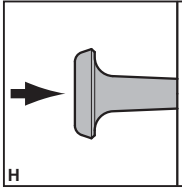
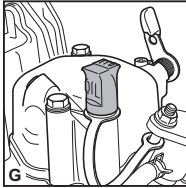
3. YANMAR (RECOIL START) Back Up to Electric Start

STOPPING

3.9 Press red lever (Fig D).

EMERGENCY STOP

3.10 Pull the handle on the side of the power unit box to STOP the machine (Fig E).



COLD STARTING

3.11 Lift rear door.

Open fuel cock if fitted (Fig F).

3.12 In cold starting situations the engine requires 2cc of engine oil (10w-30) to be applied using oil applicator. The oil should be inserted into the engine by removing the rubber plug on the priming port, ensure the plug is replaced (Fig G).

3.13 Ensure the Emergency Stop Button is pushed in (Fig H).

3.14 Set the engine speed lever (situated on the left hand side of engine) to the run position (Fig I).

3.15 Pull out the recoil starting handle to the point where you feel a strong resistance, then return back the install position. Push over the decompression lever (top right hand side of engine) this will return automatically when the recoil handle is pulled for the second time.

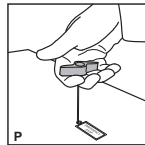
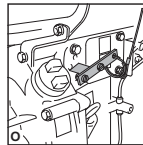
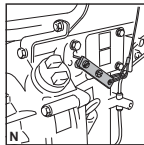
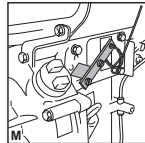
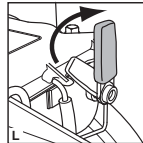
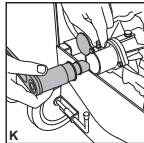
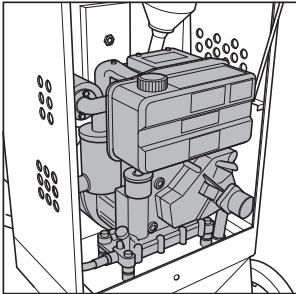
3.16 Apply both hands to the recoil starting handle and pull briskly, if engine does not start repeat from 3.15.

- **DO NOT operate with rear door open.**

WARM STARTING

3.17 Repeat process above from 3.14.

4. LISTER PETTER : CRANK HANDLE START



- Caution should be taken when starting unit, always use Anti-Kick Back Starting Handle.
- Ensure handle is correctly engaged in crank barrel (Fig K) before cranking engine.
- Ensure Oil & Fuel levels are checked daily before starting engine.
- Ensure rear door stay is correctly engaged before working in power unit area.
- Keep rear door closed when mixer is running.

4 STOPPING

4.1 Open rear door and move Start / Stop lever to the STOP position (Fig L).

COLD STARTING

4.2 Lift rear door.

4.3 Lift Safety Button up, locate Starting Handle in crank barrel and turn until handle engages (Fig K).

4.4 Engage Start / Stop lever into START position (Fig N).

4.5 Push decompression lever into vertical position and hold (Fig L).

4.6 Crank the engine as fast as possible and move the de-compressor lever into the running position whilst continuing to crank briskly until the engine starts.

4.7 Once the engine starts remove handle and place back in storage, then move Start/Stop lever into the RUN position(Fig O).

WARM STARTING

4.8 Follow the above instructions from 2.2 to 2.6, however start engine with the Start / Stop lever in the RUN position.

EMERGENCY STOP

4.9 Pull handle on top of power unit box (Fig P).

Before starting any maintenance or repairs, stop engine or switch off motor, and isolate from the main power supply. On completion of maintenance, check that the mixer functions correctly and that all guards are correctly fitted.

ELECTRIC MOTORS

All portable electric appliances are dangerous if abused. This machine will only operate on one voltage. Check the power supply to ensure it corresponds to the voltage as stamped on the motor. Make sure that the motor is switched off before you plug it into the power supply.

220-240v -Always use a Residual Current Device ("RCD"), (earth leakage trip), plugged directly into the 220-240v socket. If using an extension cable, plug it directly into the RCD.

110v -When using a portable transformer it must have a minimum output of 6.3kw and be continuously rated.

- **DO NOT** use an extension cable between the transformer and the power supply.

The symbols on the ON/OFF switch are 0=OFF and I=ON in accordance with international standards.



If the supply cord is damaged, it must be replaced by a special cord or assembly available from the manufacturer or its service agent. (See Wiring Diagram on Page 15.)

EXTENSION CABLES

If you need to use an extension cable it must be no longer than 30 metres (100 feet) in length. The wire section for 220-240v must be 2.5mm². The wire section for 110v must be 4mm² on 100XT and 6mm² on other models. Ensure that the extension cable is carefully laid out avoiding liquids, sharp edges and places where vehicles might run over it. Unroll it fully or it will overheat and could catch fire. Make sure that any extension cable connections are dry and safe.

COMBUSTION ENGINES

- **Be aware of exhaust venting directions.**

ENGINE OIL

The engine needs a regular oil check. Try not to run low on fuel as this may result in sediment from the bottom of the tank doing damage to the injector and pump. **Repairs and rectification of pipework and components affected by contaminants in fuel cannot be accepted as warranty, neither will faults caused or contributed to by the machine running out of fuel.** You may need to bleed the fuel system free of air before starting. Select the appropriate engine oil viscosity based on the ambient temperature and use the SAE Service Grade Viscosity Chart below. This machine is filled with SAE 10W-30 at the factory.

Engine Oil Specifications

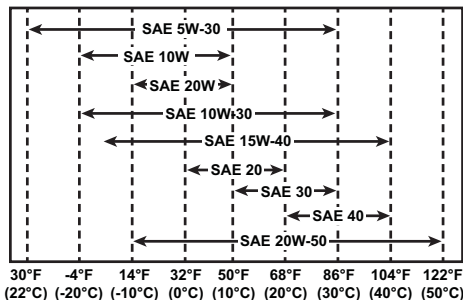
Use an engine oil that meets or exceeds the following guidelines and classifications:

Service Categories

- API Service Categories CD or higher.
- ACEA Service Categories E-3, E-4 and E-5
- JASO Service Category DH-1

Definitions

- API Classification (American Petroleum Institute)
- ACEA Classification (Association des Constructeurs Européens d'automobiles)
- JASO (Japanese Automobile Standards Organisation)



DRUM (Removal and Fitment)

This can be instantly removed by unscrewing it counter clockwise in the vertically up position. Lift the drum off the machine using a fork lift, with the forks under the base of the drum. When replacing make sure that the drum shaft is greased before it is fully screwed down on to the shoulder of the shaft, ensure the drum is fully screwed down on to the shoulder or damage will occur. Take care when screwing on the drum, spinning on fast may damage the gearbox.

CLEANING

Wipe off any external material. **DO NOT** use petrol, turpentine, lacquer or paint thinner, dry cleaning fluids or similar products. Never let any liquids near the engine/motor. Use 1" gravel and clean water to clean the inside of the drum.

- **DO NOT** use bricks etc. as this will damage the drum.

DRIVE BELT

- **DO NOT** try to adjust with the engine / motor running.
- **DO NOT** run slack.
- **DO NOT** operate machine with guards removed.

The drive belt is under constant even tension by a spring loaded jockey, this requires no attention. The bearings are sealed for life.

GEARBOX OIL

Note: The original gearbox oil is a synthetic oil and must not be mixed with a mineral oil.

Full gearbox fill 1.0 ltrs, check regularly.

The gearbox was originally filled with: Total :- Transmission W 75W/140 viscosity

Equivalent oils:

Shell :- Tivela SA, Tivela WA, Dentax W

Texaco :- Synlube 90

Esso :- GX 75W/140

Mobil :- Glygoyle 22

Castrol :- WM or Alpha SN150

Caltex :- Synthetic gear lubricant

LUBRICATION AND RUNNING

See Maintenance Schedule Section and Operating Instructions.

Remember that diesel engines vibrate more, so regularly check all nuts and bolts are tight.

To help assist engine running-in, all engines are despatched with an initial fill lubricating oil which must be changed after 100 hours.
All subsequent oil changes must be as specified below.

Lister-Petter 32 & 10 Engines

	Daily	Every 125 Hrs	Every 250 Hrs	Every 500 Hrs	Every 1000 Hrs	Every 2000 Hrs
Check the fuel & lubricating oil levels	✓					
Check for oil & fuel leaks	✓					
Clean, or replace, the air cleaner element under very dusty conditions	✓					
Check the condition of the battery, if fitted		✓				
Clean or replace the air cleaner element under moderately dusty conditions		✓				
Drain the sump and refill with new oil of the correct type and specification as given in engine handbook		✓	✓			
Clean or replace the injectors if the exhaust is dirty			✓			
Renew the fuel filter element if the fuel being used is not perfectly clean			✓			
Replace the air cleaner element				✓		
Examine exhaust & induction systems for leaks, damage or restrictions				✓		
Renew the fuel filter element				✓		
Check the battery charge winding system; refer to Workshop Manual				✓		
Check the valve clearances					✓	
Decarbonise if the engine performance has deteriorated					✓	
Clean the cylinder barrel and head fins					✓	
Clean the banjo union at the cylinder head end of oil feed pipe					✓	
Drain, flush and refill the fuel tank						✓

Mixer	Daily	50 Hours	250 Hours	500 Hours	1000 Hours
Grease Yoke Pivot		✓			
Grease Tipping Gear (10 Operations of Grease Gun)			✓		
Remove Drum and Grease Shaft			✓		
Check Nuts and Bolts	✓				
Check Gearbox Oil				✓	✓
Check Components for Leaks	✓				

Checks and Maintenance



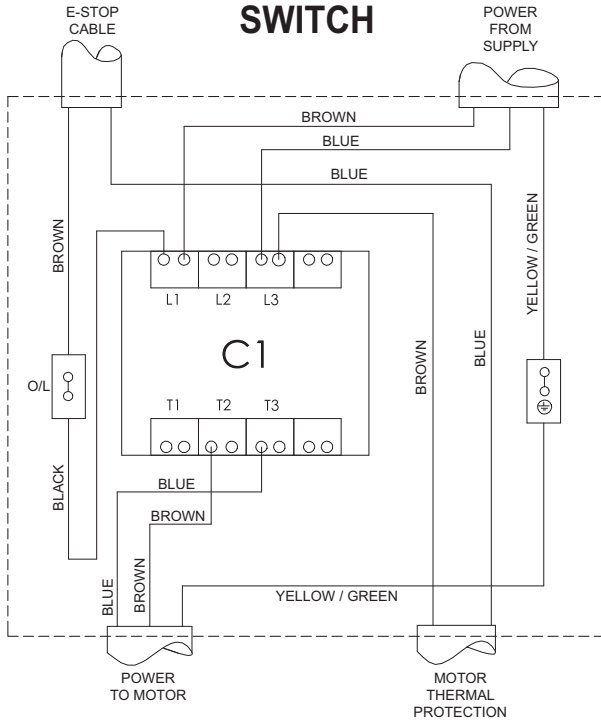
Items marked "✓✓" should be serviced by an authorized YANMAR dealer, unless the owner has proficient mechanical ability and the proper tools.

Parts with an asterisk mark "*" are related to the CARB ULG rules.

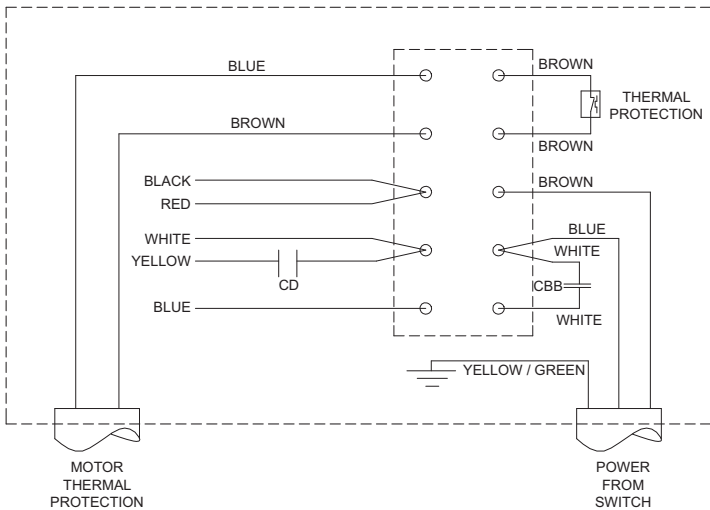
Yanmar L48 Engine → April '04

	Every month or Every 50 Hrs	Every 3 months or Every 200 Hrs	Every 6 months or Every 400 Hrs	Every year or Every 1000 Hrs
Check the fuel level and refill. - Before Operation				
Drain the fuel tank	✓			
* Clean the fuel filter		✓		
* Replace the fuel filter			✓	
Check for fuel / oil leakage - After Operation				
* Fuel injection nozzle, Check the injection condition			✓✓	
* Check the fuel injection timing			✓✓	
* Check the fuel injection pump				✓✓
Check the lube oil level in the oil pan and refill - Before Operation				
Replace the lube oil	1st time	2nd & after		
Clean lube oil filter	1st time		2nd & after	
Check for lube oil leakage - After Operation				
Check the valve clearances				✓
* Check the air cleaner element		✓		
* Replace the air cleaner element			✓	
Check the battery liquid level and refill - Before Operation				
Check the warning lamps - When Engine Is Started				
Adjusting the intake and exhaust valve clearance			✓✓	

Mixer	Daily	50 Hours	250 Hours	500 Hours	1000 Hours
Grease Yoke Pivot		✓			
Grease Tipping Gear (10 Operations of Grease Gun)			✓		
Remove Drum and Grease Shaft			✓		
Check Nuts and Bolts	✓				
Check Gearbox Oil				✓	✓
Check Components for Leaks	✓				



MOTOR



Mix Ratios

The correct mix ratio (cement:sand:stone) depends on the type of application; harder concrete requires more cement, rougher applications require more aggregate. The ratios given below are guidelines: best proportions may depend on the quality of sand/stone used.

First put in the water - around 7 litres (1½ gallons), using more or less depending on the type of mix required. Add some aggregate before adding cement, to avoid sticking. Work consistently to the ratio of ingredients for whatever type of concrete mix you are working to.

Getting A Good Mix

The approximate mixing time for concrete is 2-4 minutes from when all the material (including the water) has been added - over-mixing can reduce strength and cause segregation of the coarser aggregates.

Beware of low grade aggregates; these will only lead to trouble later on with sinking and frost spoiling the appearance of the pour. Also do not get the concrete mix too wet as this can reduce strength and make it less able to withstand weathering.

Looking After Your Mixer

Never throw material into the mixer - trickle it steadily over the rim or it will stick firmly to the back of the drum and can only be dislodged by stopping the mixer.

Keep your mixer clean - material left in the drum will harden, and attract more on each use until the mixer is useless. Do not throw bricks into a mixer drum to clean it out. The best method is a mix of 1" (2½cm) gravel and clean water - use plenty of it, as this will do the job in half the time.

APPLICATIONS	QUANTITIES		
	CEMENT	SAND	STONE
MOST ORDINARY	1	2	4
FOUNDATIONS	1	3	6
ROUGH MASS CONCRETE	1	4	8
WATERTIGHT FLOORS,TANKS PITS ETC.	1	1.5	3

Warranty



Your new Altrad Belle Premier XT is warranted to the original purchaser for a period of one-year (12 months) from the original date of purchase. The Altrad Belle warranty is against defects in design, materials and workmanship.

The following are not covered under the Altrad Belle warranty:

1. Damage caused by abuse, misuse, dropping or other similar damage caused by or as a result of failure to follow assembly, operation or user maintenance instructions.
2. Alterations, additions or repairs carried out by persons other than Altrad Belle or their recognised agents.
3. Transportation or shipment costs to and from Altrad Belle or their recognised agents, for repair or assessment against a warranty claim, on any machine.
4. Materials and/or labour costs to renew, repair or replace components due to fair wear and tear.

The following components are not covered by warranty.

- Drive Belt
- Engine air filter
- Engine spark plug

Altrad Belle and/or their recognised agents, directors, employees or insurers will not be held liable for consequential or other damages, losses or expenses in connection with or by reason of or the inability to use the machine for any purpose.

Warranty Claims

All warranty claims should firstly be directed to Altrad Belle, either by telephone, by Fax, by Email, or in writing.

For warranty claims:

Altrad Belle Warranty Department,
Sheen, Nr. Buxton
Derbyshire
SK17 0EU
England.

Tel : +44 (0)1298 84606,

Fax : +44 (0)1298 84722

Email : warranty@belle-group.co.uk

Les moteurs installés dans la gamme de ces bétonnières bénéficient d'une garantie de 12 mois. Tout problème rencontré avec le moteur pendant la période de garantie doit être traité par le revendeur agréé le plus proche de chez vous.

Si vous voulez avoir le nom du revendeur le plus proche de chez vous, une liste est disponible sur demande.

Numéros de série

ATTENTION! Noter les numéros de série et les avoir pour toute communication avec un revendeur Altrad Belle.

NUMERO DE SERIE MACHINE

NUMERO DE SERIE MOTEUR

Félicitation pour votre achat de cette bétonnière de qualité de la gamme Altrad Belle.

Cette machine est fabriquée pour être conforme aux normes européennes actuelles, elle dispose d'une déclaration de conformité et porte donc la marque CE, applicable aux territoires où ces normes sont mises en application.

Lisez ce manuel soigneusement, observez toutes les instructions de manipulation et de sécurité durant l'utilisation et entretenez votre machine en bon état de marche.

Pour l'entretien de cette machine, seules les pièces de rechange originales du fabricant peuvent être utilisées. L'utilisateur perdra toute possibilité de réclamations si les pièces de rechange utilisées sont autres que les pièces de rechange originales du fabricant.

Conservez ce manuel avec votre machine pour les références.

PREVENTION DE SURETE ET D'ACCIDENTS Instructions d'utilisation :

Toutes les personnes qui utilisent, assemblent, mettent en marche, entretiennent ou réparent cette machine, doivent lire et mettre en ouvre les consignes d'utilisation.

Responsabilité du Propriétaire :

Le propriétaire doit s'assurer que seules les personnes qualifiées utilisent, entretiennent ou réparent cette machine

STOCKAGE :

Stocker la machine dans un endroit sec et fermé, éloigné des enfants.

Précautions d'emploi :

Les bétonnières sont prévues pour la production du béton, du mortier et du plâtre. Elles doivent être utilisées dans ce cadre et n'est pas appropriée au mélange de substances inflammables ou explosives. Ne doit pas être employée dans une atmosphère explosive.

MAINTENANCE ET RÉPARATIONS :

Seules les personnes autorisées doivent réparer la bétonnière et dans le cadre des exigences CE, par rapport auxquelles aucune déviation aux spécifications originales ne doit avoir lieu.



ATTENTION

N'importe quelle maintenance et réparations effectuées à chacun des composants électriques doit être entrepris par un électricien qualifié.

REPLACEMENT DE PIECES

Contactez votre revendeur Altrad Belle le plus proche. Quand vous commandez des pièces, veuillez indiquer le modèle de la machine, ainsi que le numéro de série. Indiquez la pièce voulue en accord avec les vues éclatées, en indiquant la référence de la pièce et la quantité voulue.

	Numéro de page
Garantie Moteur	18
Introduction	18
Symboles d'Avertissement	19
Plug Câblage	19
Instructions de Secrite.....	20
Transport	21
Positions de Malaxage	21
Commandes Fonctionelles.....	22
Donnees Technique.....	23
Instructions d'Utilisation - Moteurs Electrique	24
Instructions d'Utilisation - Yanmar L48.....	25
Instructions d'Utilisation - Lister Petter Build 10 & 32.....	25
Instructions de Maintenance	26 - 27
Contrôles & Maintenance - Lister Petter 10 & 32	28
Contrôles & Maintenance - Yanmar L48	29
Schéma de Câblage	30
Conseils de Malaxage	31
Garantie.....	31

Altrad Belle a adopté une politique de développement permanent de ses produits et se réserve le droit de modifier les manuels sans préavis.

Symboles d'Avertissement



LUNETTES DE PROTECTION



RISQUE DE FEU ET D'EXPLOSION



LIRE LE MANUEL



PROTEGES OREILLES



PORTER DES CHAUSSURES DE PROTECTION



POINT DE LEVAGE

AVERTISSEMENT - IMPORTANT

Les bétonnières Premier XT sont prévus pour un usage professionnel, les types de prises suivants sont fournis et sont adaptés aux exigences du produit.

moteur 110V - 32 amp prise de type BS4343.

moteur 230V - 16 amp prise de type BS4343.

moteur 415V - 32 amp prise de type BS4343.

BRANCHER UNE PRISE PEUT ETRE DANGEREUX

IMPORTANT: les fils sont colorés et suivent les codes suivants :

VERT/JAUNE = TERRE

BLEU = NEUTRE

MARRON = PHASE

Le fil de couleur jaune/vert doit être connecté au terminal marqué E ou coloré vert/jaune.

Le fil marron doit être connecté au terminal marqué L ou coloré en rouge.

Le fil coloré en bleu doit être connecté au terminal marqué N ou coloré en noir.

Assurez-vous toujours avant de vous relier à la source d'alimentation que la tension d'alimentation est identique à la tension du moteur.

LIRE CES INSTRUCTIONS DE SECURITE

Prrière de lire ces instructions de sécurité avant toute utilisation de la machine.

**ATTENTION**

La machine ne doit pas être utilisée par des enfants ou des personnes à handicap physique, sensoriel ou mental des capacités, ou le manque d'expérience et de connaissance, sauf si elles ont été données de surveillance ou de l'instruction. Les enfants doivent être surveillés pour s'assurer qu'ils ne jouent pas avec la machine.

AVANT DE DEMARRER LA BETONNIERE

- Vérifiez que toutes les protections sont en position et sont correctement adaptées.
- **Ne portez pas de vêtements larges ou de bijou** qui se pourraient se bloquer dans la machine
- Les vêtements doivent être conformes à toutes les normes de sécurité CEE concernant: combinaisons, chaussures de travail, lunettes, masques, gants, protections acoustiques, etc.
- S'assurer que les câbles qui traînent sont protégés de tout dommage et qu'ils ne risquent pas de faire trébucher quelqu'un ou d'être écrasés sous la bétonnière.
- **Il est recommandé d'utiliser un dispositif à intensité résiduelle sur les circuits électriques 230V ou 240V.**
- Enlever tout emballage avant utilisation.

UTILISATION DE LA BETONNIERE

- Garder le capot moteur fermé pendant le malaxage.
- Eloigner toute personne non autorisée du tambour
- Veiller à ce que la zone autour de la bétonnière soit libérée de tout obstacle qui pourrait provoquer la chute de personnes.
- S'assurer que la bétonnière se trouve sur une surface bien horizontale avant l'utilisation.
- S'assurer que les freins soient mis avant l'utilisation.
- S'assurer que les pieds de la bétonnière soient calés en position basse avant de travailler
- **Assurer une aération importante lorsque les moteurs tournent dans un endroit fermé.**
- **Remplacer tout adhésif endommagé**
- **Vérifier que le tambour tourne pendant que la bétonnière est vidée.**
- **Toujours désactiver et débrancher la prise électrique de la machine laissée sans surveillance.**
- **Ne pas déplacer quand la bétonnière tourne**
- **Attention aux zones dangereuses.**

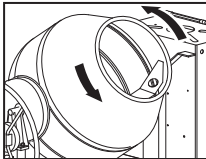
ARRET D'URGENCE

Voir section instructions d'utilisation pour les détails.

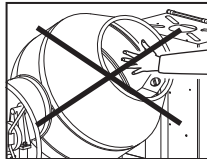
PREVENTION INCENDIE

Si la bétonnière prend feu, couper l'alimentation électrique. Eteindre le feu à l'aide d'un extincteur à poudre sèche ou à CO². Si le feu ne peut être éteint, rester à distance et contacter les pompiers.

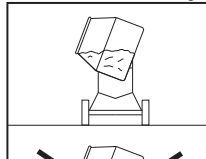
En cas de doute quant aux conditions de sécurité de la machine veuillez contacter votre Concessionnaire agréé Altrad Belle.



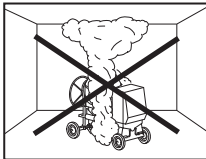
SENS DU ROTATION DU TAMBOUR



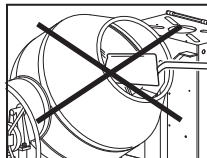
NE PAS METTRE DE PARTIE DE VOTRE CORPS DANS LE TAMBOUR



TOUJOURS TRAVAILLE AVEC LA CAPACITE RECOMMANDEE



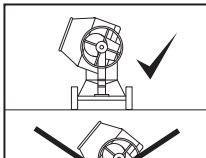
TOUJOURS MALAXER DANS UN ENDROIT VENTILE, LES VAPEURS PEUVENT TUER.



NE PAS METTRE DE PELLE DANS LE TAMBOUR



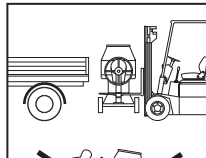
TOUJOURS TRAVAILLE AVEC LA CAPACITE RECOMMANDEE



TOUJOURS MALAXER SUR UN SOL PLAT



NE PAS METTRE D'ESSENCE OU DE LUBRIFICANTS PENDANT QUE LE MOTEUR TOURNE



CHARGER ET DECHARGER DE LA TRANSPORT CORRECTEMENT (Voir la Section des transports du Manuel)

CHARGEMENT PAR CHARIOT ELEVATEUR

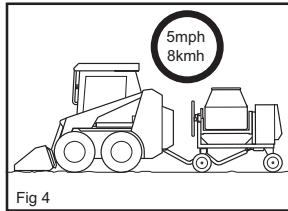
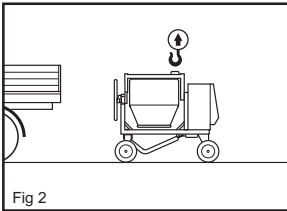
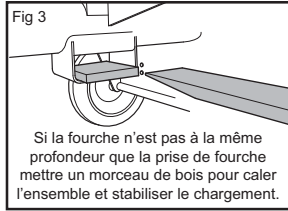
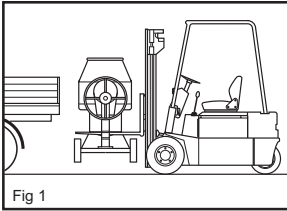
- La méthode de chargement habituelle dans un camion ou une remorque doit être utilisée. La prise de fourche (Fig 3) est située sous le châssis principal pour permettre à La bétonnière d'être chargée en utilisant une fourche d'élévation (Fig 1).

CHARGEMENT PAR GRUE

- Pour avoir accès au point de levage tourner le tambour la cuve vers le bas (Fig2)
- S'assurez que l'ensemble de levage est conforme aux normes et peut supporter le poids de la machine. Voir les données techniques. S'assurez que le crochet de levage est correctement fixé avant de soulever la machine.
- **Ne vous tenez pas sous la machine tandis qu'elle est soulevée.**

BETONNIERES TRACTABLES

- Ces bétonnières doivent être tractées sur le chantier uniquement, à une vitesse maximale de 5 miles à l'heure (8km / heure).
- Ne les tractez pas sur une route nationale par exemple.



Positions de Malaxage

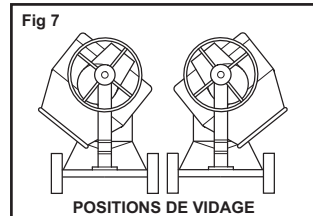
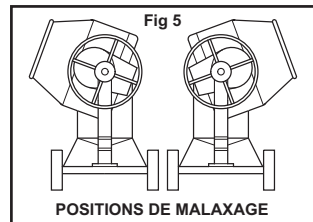
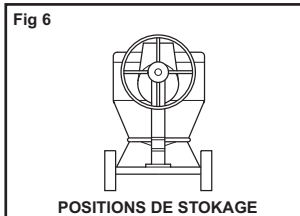
INCLINAISON DU TAMBOUR

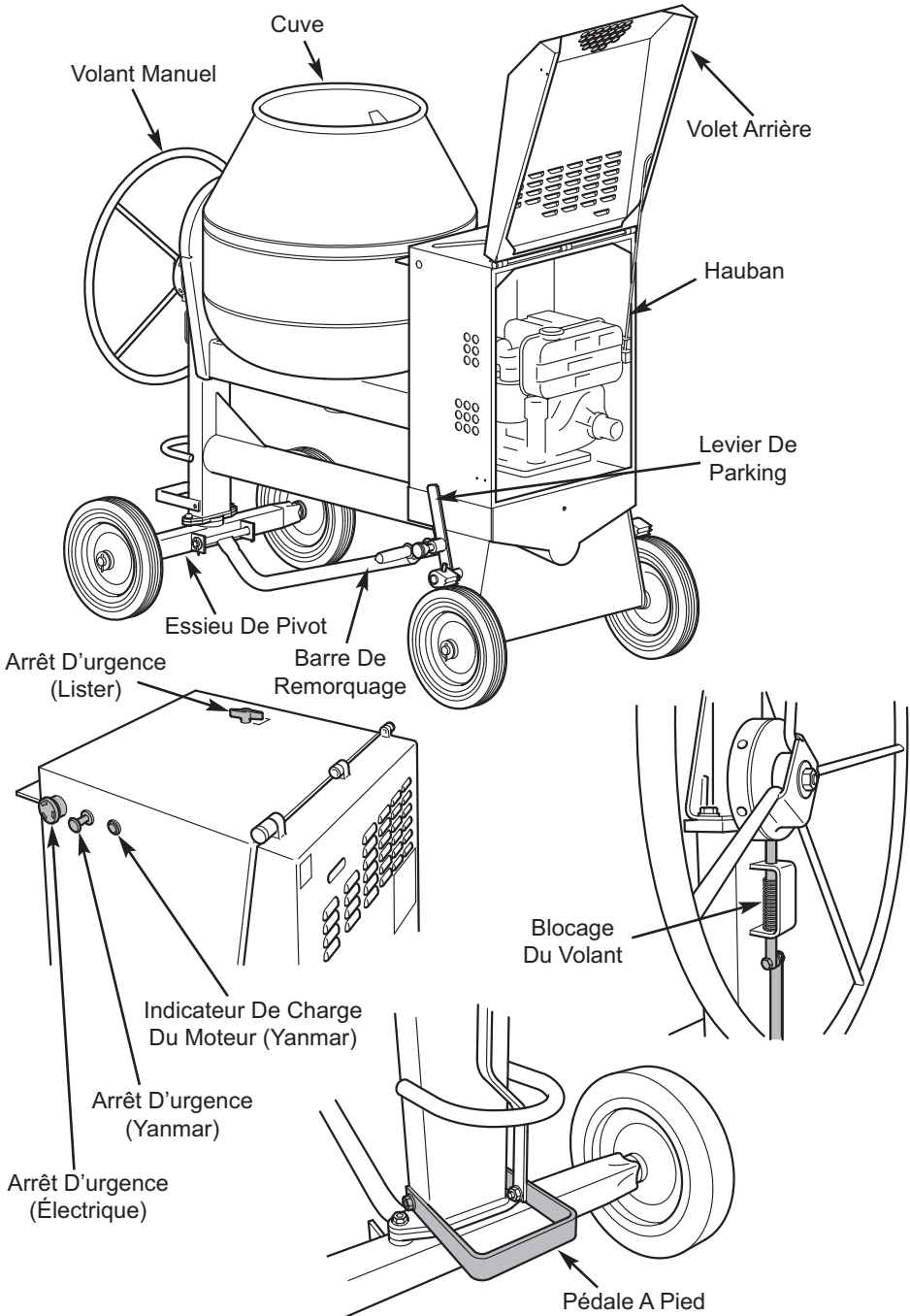
Le volant permet un contrôle facile du tambour qui peut être bloqué en position de stockage, mis en position de malaxage ou de vidage.

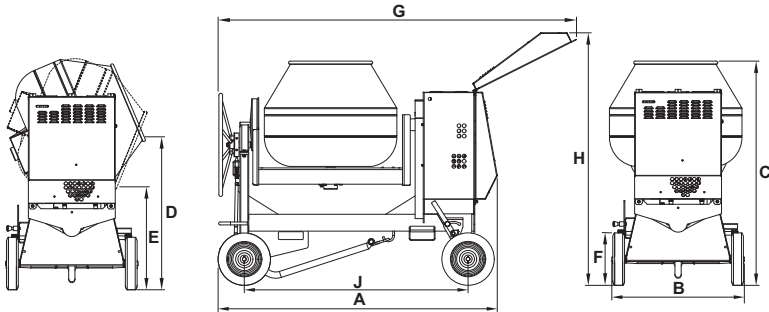
Le tambour se verrouille sur différentes positions grâce à un piston situé dans le volant. Pour bouger le tambour, le piston doit être désengagé en abaissant la pédale située juste en dessous de l'axe pivotant.

Le volant de commande se déplacera maintenant librement permettant le re-positionnement du tambour. Pour bloquer le tambour sur une position, libérer la pédale et tourner le volant jusqu'à ce que le piston s'enclenche dans l'anneau du volant.

- **Ne mettez pas votre main à travers le volant de commande.**
- **Toujours garder ses deux mains sur le volant de commande.**







	100XT	150XT	175XT	200XT
A - LARGEUR TOTALE (MM)	1765	1765	1890	1890
B - LONGEUR TOTALE (MM)	900	900	900	900
C - HAUTEUR TOTALE (MM)	1475	1560	1520	1590
D - HAUTEUR DE CHARGEMENT (MM)	1025	1065	1000	1050
E - HAUTEUR DE DECHARGEMENT (MM)	710	656	650	615
F - DIAMETRE DES ROUES (MM)	350	350	350	350
G - LARGEUR TOTALE - CAPOT OUVERT (MM)	2085	2085	2390	2390
H - HAUTEUR TOTALE - CAPOT OUVERT (MM)	1950	1950	1950	1950
J - LARGEUR AU NIVEAU DES ROUES	1295	1295	1520	1520
CUBIC FEET IN/OUT	5/3.5	7/5	8/6	10/7
CAPACITE DE MALAXAGE (LTR)	110	160	180	220
CAPACITE DE LA CUVE (LTR)	250	300	350	400
MAX DRY MIX DRUM CAPACITY IN (LTR)	160	220	250	310
VITESSE DU TAMBOUR (RPM)	19	19	19	19

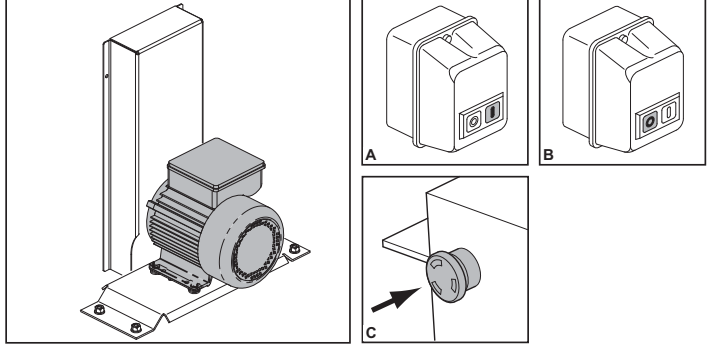
MODELES D'ELECTRIQUE												
	100XT	150XT	175XT	200XT	100XT	150XT	175XT	200XT	100XT	150XT	175XT	200XT
POIDS À VIDE (KG)	305.5	314.5	322.5	325	303.5	312.5	320.5	323	305.5	314.5	322.5	325
TENSION NOMINALE (V)	110				240				415			
COURANT NOMINAL (AMP)	13.7				6.6				3.6			
PUISSANCE NOMINALE					1.5							
FRÉQUENCE (HZ)					50							
RÉGIME DU MOTEUR	1350				1430				1500			
SYSTÈME DE PROTECTION	Thermal / NVR											
CONSUMMATION D'ÉNERGIE (KWH)	1.5											
NIVEAU DE PUISSANCE SONORE (LWA)	87dB(A)											
	LISTER				YANMAR							
MODELES DIESEL	100XT	150XT	175XT	200XT	100XT	150XT	175XT	200XT				
POIDS À VIDE (Kg)	367	376	392.5	395	334.5	343.5	350.5	353.5				
MODELE	LT1 (Build 32)		LT1 (Build 10)		L48							
PUISSANCE NOMINALE (KW)	0.75		1.9		2.3							
DEMARRAGE	Manivelle				Electrique / (Lanceur)							
CAPACITE D'ESSENCE	5				2.5							
NIVEAU DE PUISSANCE SONORE (LWA)	99 dB(A)											

1. MOTEUR ELECTRIQUE: VARIANTS**ARRET**

- 1.1 Enfoncez le bouton rouge ou sur off) pour arrêter la bétonnière (Fig B).

DEMARRAGE

- 1.2 Soulever le capot arrière.
1.3 Sorter le câble d'alimentation par l'arrière de la bétonnière et placer la prise dans la source d'alimentation.
1.4 Enfoncez le bouton vert (ou appuyer sur on) pour démarrer la bétonnière (Fig A).



- Assurez-vous que le câble d'alimentation est bien rangé avant de déplacer la bétonnière.
- Garder le capot fermé quand la bétonnière est en marche

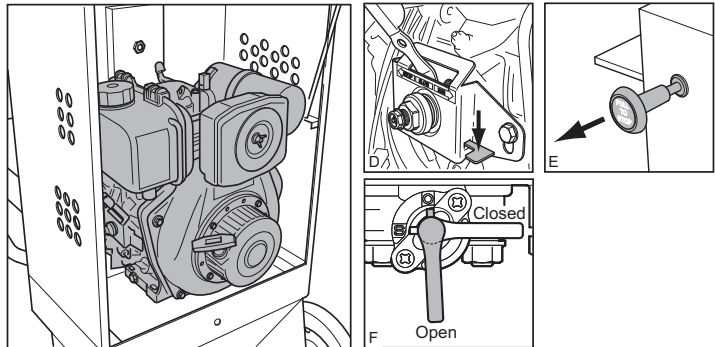
ARRET D'URGENCE

- 1.5 Enfoncez le bouton rouge, situé en haut à gauche de l'unité moteur (Fig C).

2. YANMAR (DEMARRAGE ELECTRIQUE)**ARRET**

- 2.1 Appuyez sur le levier rouge (Image D)
2.2 Tournez la clé de démarrage en sens inverse des aiguilles d'une montre (Image J)

- Notez que la lumière rouge s'allume lorsque la charge du moteur ne fonctionne pas.
- Assurez vous que lorsque la machine ne marche pas, l'allumage est éteint, ou alors des problèmes de batterie pourraient survenir.

**ARRET D'URGENCE**

- 2.3 Tirez la poignée sur le coté de l'unité moteur pour arrêter la machine (Image E)

DEMARRAGE A FROID

- 2.4 Soulevez le volet arrière.

- Ouvrez le robinet essence (Figure F).

- 2.5 Dans des situations de froid démarrage, l'engin nécessite 2 cc d'huile moteur (10w30), et ceci en utilisant un applicateur a huile. L'huile doit être introduite dans le moteur, en enlevant le bouchon en caoutchouc, assurez vous que le bouchon est reposé. (image G)
2.6 Assurez vous que l'arrêt d'urgence est poussé (Image H)
2.7 Réglez le bouton de réglage de vitesse (situé sur la gauche du moteur) en position de marche (Image I)
2.8 Tournez la clé de démarrage dans le sens des aiguilles d'une montre, jusqu'à ce que le moteur se mette en route. Si cela ne marche pas, activez le processus de démarrage a froid.

- Notez que, une fois qu'une tentative de mise en marche du moteur a échoué, la clé doit être replacée en position OFF avant de recommencer.
- NE PAS opérer avec le volet arrière ouvert

DEMARRAGE A CHAUD

- 2.9 répétez le processus ci-dessus (2.5)

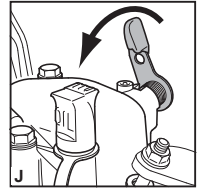
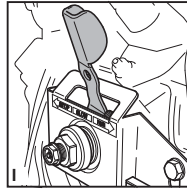
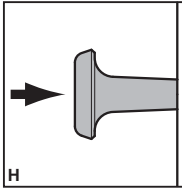
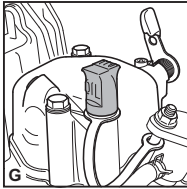
3. LANCEUR YANMAR, en réserve du démarrage électrique

ARRET

3.9 Appuyez sur le levier rouge (Image D)

ARRET D'URGENCE

3.10 Tirez la poignée sur le côté de l'unité moteur pour arrêter la machine (Image E)



DEMARRAGE A FROID

3.11 Soulevez le volet arrière.

- Ouvrez le robinet essence (Figure F).

3.12 Dans des situations de froid démarrage, l'engin nécessite 2 cc d'huile moteur (10W30), et ceci en utilisant un applicateur à huile. L'huile doit être introduite dans le moteur, en enlevant le bouchon en caoutchouc, assurez vous que le bouchon est reposé. (image G)

3.13 Assurez vous que l'arrêt d'urgence est poussé (Image H)

3.14 Réglez le bouton de réglage de vitesse (situé sur la gauche du moteur) en position de marche (Image I)

3.15 Tirez la poignée du lanceur jusqu'au point où vous sentez une résistance forte, puis retournez à la position de départ. Appuyez sur le levier de décompression, en haut à droite du moteur, cela reviendra automatiquement lorsque la poignée de lanceur est tirée pour la deuxième fois.

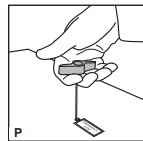
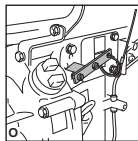
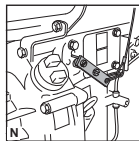
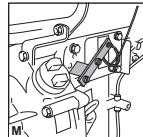
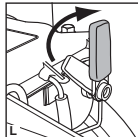
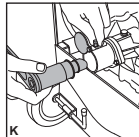
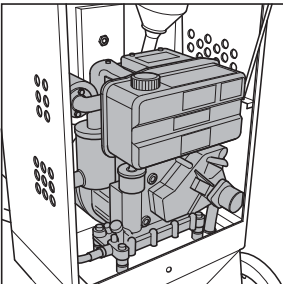
3.16 placez les deux mains sur la poignée du lanceur et tirez sèchement. Si le moteur ne démarre pas, répétez le processus à partir de 3.15

- NE PAS opérer avec le volet arrière ouvert.

DEMARRAGE A CHAUD

3.17 répétez le processus ci-dessus (3.15)

4. LISTER PETER : MANIVELLE DEPART



- Des précautions doivent être prises lors du démarrage, utilisez toujours la poignée de démarrage « anti kick back » = pas de coup retour.

- Assurez vous que la poignée est correctement enclenchée (figure K) avant d'activer le moteur.

- Assurez vous que les niveaux d'huile et d'essence sont vérifiés quotidiennement avant de mettre en route le moteur.

- Assurez vous que le levier de blocage du volet arrière est en position correcte avant de travailler sur l'unité moteur.

- Gardez le volet arrière fermé lorsque la machine est en marche

4 ARRET

4.1 Stylo porte arrière et se déplacer Start / Stop de levier à la position STOP (Fig L).

DEMARRAGE A FROID

4.2 levez le volet arrière

4.3 levez le levier de sécurité, localisez la manivelle de démarrage sur le mécanisme et tournez jusqu'à ce que la poignée s'engage (Image K)

4.4 engagez le levier start/stop dans la position START. (Image N)

4.5 poussez le levier de décompression dans une position verticale et maintenez la. (Image L)

4.6 Actionnez la manivelle aussi vite que possible, et placez le levier de décompression en position marche, tout en continuant d'actionner la manivelle sèchement jusqu'à ce que le moteur marche

4.7 Une fois que le moteur démarre, replacez la manivelle, rangez la dans son emplacement, et placez le levier Start/Stop dans la position « RUN » (marche) (Image O)

DEMARRAGE A CHAUD

4.8 suivez les instructions de 2.2 à 2.6, mais activez pendant le moteur avec le levier start/stop en position « RUN » (marche).

ARRET D'URGENCE

4.9 Tirez la poignée sur le dessus de l'unité moteur (Image P)

Avant d'entreprendre toute opération d'entretien ou de réparation, couper le moteur et l'isoler de l'alimentation de secteur.
Une fois l'entretien terminé, vérifier que la bétonnière fonctionne correctement et que toutes les protections sont correctement montées.

MOTEURS ELECTRIQUES

Tous les équipements électriques portables sont dangereux s'ils sont mal utilisés. Cette machine ne fonctionne que sur une seule tension. Vérifier que la tension d'alimentation correspond à la tension indiquée sur la plaque signalétique. S'assurer que le moteur est éteint avant de brancher la machine à la source d'alimentation.

220/240v - Toujours utiliser un dispositif à tension résiduelle (déclenchement de fuite à la terre) directement branché dans la prise 220/240V. Si l'on utilise une rallonge, la brancher directement dans le dispositif à tension résiduelle.

110v - En cas d'utilisation d'un transformateur portable, il doit avoir une sortie minimale de 6,3 kW et être réglé en continu.

- **Ne pas utiliser de rallonge entre le transformateur et l'alimentation**

Les symboles sur le commutateur "marche/arrêt" sont conformes 0=OFF et I=ON aux normes internationales.

⚠ Si le cordon d'alimentation est endommagé, il doit être remplacé par un cordon d'alimentation ou de l'ensemble de la disposition du fabricant ou de son agent de service. (Voir Schéma de câblage à la page 28.)

RALLONGES

Si une rallonge est nécessaire, celle-ci ne doit pas dépasser une longueur de 30 mètres. La section du fil doit être de 2,5 mm² pour 220/240v et 4mm² pour 110v (100XT), 6mm² 110v (toutes autre modeles). S'assurer que la rallonge est soigneusement installée en évitant les liquides, les arêtes vives et les lieux de passage des véhicules. Faire en sorte que la rallonge ne puisse pas être écrasée sous la bétonnière. La dérouler complètement pour qu'elle ne surchauffe pas. S'assurer que tous les branchements de la rallonge sont secs et sûrs.

COMBUSTION ENGINES

- **Soyez conscients des instructions concernant l'échappement.**

HUILE MOTEUR

Le moteur nécessite une vérification régulière de l'huile. N'essayez pas de fonctionner avec peu d'essence, cela pourrait provoquer la formation de résidus au fond du réservoir, endommageant ainsi l'injecteur et la pompe. Les réparations de la tuyauterie et autres composants provoqués par de l'encrassement ne peuvent pas être traités sous garantie, de même que les soucis causés par une machine manquant d'essence. Vous pouvez par exemple libérer l'air du système à essence avant de commencer.

Choisir la viscosité de l'huile moteur appropriée en fonction de la température ambiante et utiliser pour l'entretien le graphique de grade de viscosité SAE ci-dessous. Cette machine est rempli de SAE 10W-30 à l'usine.

Spécifications de l'huile moteur

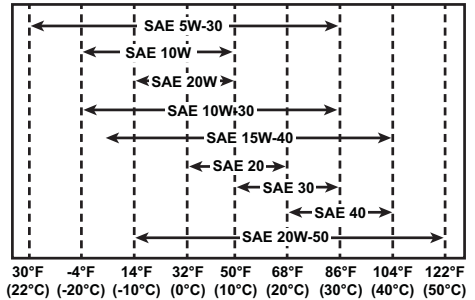
Utilisez une huile moteur qui respecte ou dépasse les lignes directrices et les classifications suivantes

Catégories d'entretien

- Entretien API Catégories CD ou plus
- Entretien ACEA Catégories E-3, E-4 et E-5
- Entretien JASO Catégorie DH-1

Définitions

- Classification API (American Petroleum Institute)
- Classification ACEA (Association des Constructeurs Européens D'automobiles)
- JASO (Japanese Automobile Standards Organisation)



Ajustement de la cuve

Celle-ci peut être ôtée rapidement en dévissant dans le sens inverse des aiguilles d'une montre, à la position verticale. Enlevez la cuve en utilisant un chariot élévateur, avec les dents du chariot placées sous la base de la cuve. Lors du remplacement, assurez-vous que l'axe de la cuve est correctement graissé avant de le revisser dans son emplacement. Assurez-vous que la cuve est vissée correctement. Attention lorsque vous revissez la cuve, visser trop vite pourrait endommager l'engrenage.

NETTOYAGE

Essuyer tous les matériaux extérieurs. NE pas utiliser d'essence, de térébenthine, de laque ou de diluant pour peinture, de liquides pour nettoyage à sec ou de produits similaires. Ne jamais laisser des liquides à proximité du moteur. Utiliser des graviers de 1" et de l'eau propre pour nettoyer l'intérieur du tambour.

- **NE PAS** utiliser de briques, etc. qui risqueraient d'endommager le tambour.

COURROIE

- **NE** tenter AUCUN réglage pendant que le moteur tourne.
- **NE PAS** utiliser si la courroie est détendue
- **NE PAS** utiliser la machine sans les protections

La courroie est sous tension constante ce qui ne nécessite pas s'intervention particulière. Roulements graissés à vie.

HUILE ENGRENAGE

Notez que l'huile originale pour l'engrenage de la cuve est une huile synthétique et ne doit pas être mélangée à une huile minérale.. L'engrenage remplit 1 litre, vérifiez cela régulièrement.
L'engrenage fut rempli d'origine avec l'huile Total Transmission W75/W90 viscosité.

Huiles équivalentes :

Shell :- Tivela SA, Tivela WA, Dentax W
Texaco :- Synlube 90
Esso :- GX 75W/140

Mobil :- Glygoyle 22
Castrol :- WM or Alpha SN150
Caltex :- Synthetic gear lubricant

LUBRIFICATION ET UTILISATION

Voir la section maintenance et instructions d'utilisation.

Rappelez-vous que les moteurs diesel vibrent davantage, vérifiez régulièrement que tous les écrous et les boulons sont serrés.

Pour aider le moteur en marche, tous les moteurs sont expédiés avec un remplissage d'huile de lubrification, qui doit être changée après 100 heures.
Tous les changements d'huile doit être telle que définie ci-dessous.

Moteurs Lister-Petter 32 & 10

	Quotidien- nement	125 Heures	250 Heures	500 Heures	1000 Heures	2000 Heures
Vérifier le carburant et l'huile de graissage des niveaux	✓					
Vérifier les fuites d'huile et de carburant	✓					
Nettoyez ou remplacez le filtre à air élément de très poussiéreux	✓					
Vérifier l'état de la batterie, le cas échéant		✓				
Nettoyez ou remplacez le filtre à air élément modérément poussiéreux sous conditions		✓				
Le carter de vidange et de remplissage avec de l'huile de type et la spécification du moteur tel qu'il figure dans l'ouvrage		✓	✓			
Nettoyez ou remplacez les injecteurs, si les gaz d'échappement est sale			✓			
Renouveler l'élément de filtre à carburant si le carburant utilisé n'est pas parfaitement propre			✓			
Remplacer le filtre à air élément				✓		
Examiner les systèmes d'échappement et de l'induction de fuites, de dommage ou de restrictions				✓		
Renouveler l'élément de filtre à carburant				✓		
Vérifiez la charge de la batterie du système d'enroulement, se référer à l'atelier manuel				✓		
Vérifiez la soupape de dégagement					✓	
Decarbonise si les performances du moteur s'est détériorée					✓	
Nettoyez le cylindre et la tête nageoires					✓	
Nettoyez le banjo union à la fin de la culasse tuyau d'alimentation d'huile					✓	
Égoutter, rincer et remplir le réservoir de carburant						✓

Betonnere	A Chaque	50 Heures	250 Heures	500 Heures	1000 Heures
Graisser l'axe de potence		✓			
Graisser le boîte réduction (10 graissages)			✓		
Enlever le tambour, graisser l'arbre			✓		
Vérifier les boulons et écrous	✓				
Vérifier l'huile/boîte de réduction				✓	✓
Remplir le graisseur		✓			
Vérifier les composants/fuites	✓				

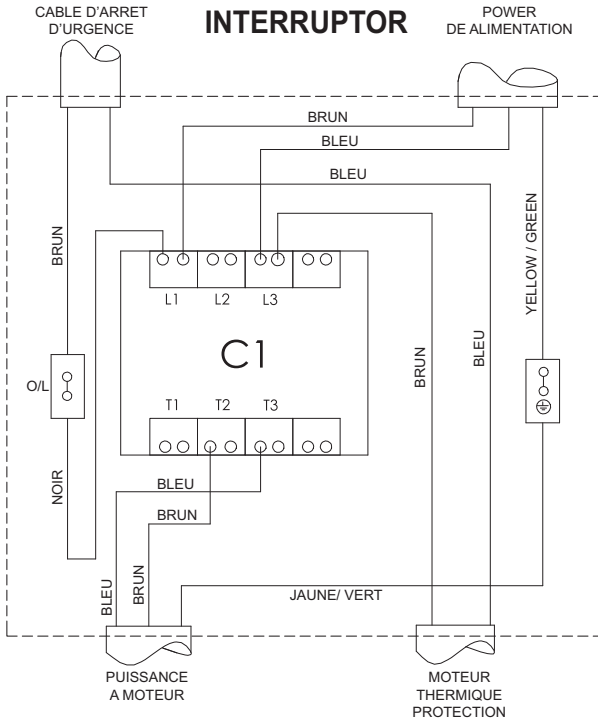
Les points marqués "✓✓" devraient être desservies par un YANMAR concessionnaire, à moins que le propriétaire a la maîtrise et la capacité mécanique des outils adéquats.

Parts d'un astérisque marque "*" sont liés à la CARB ULG règles.

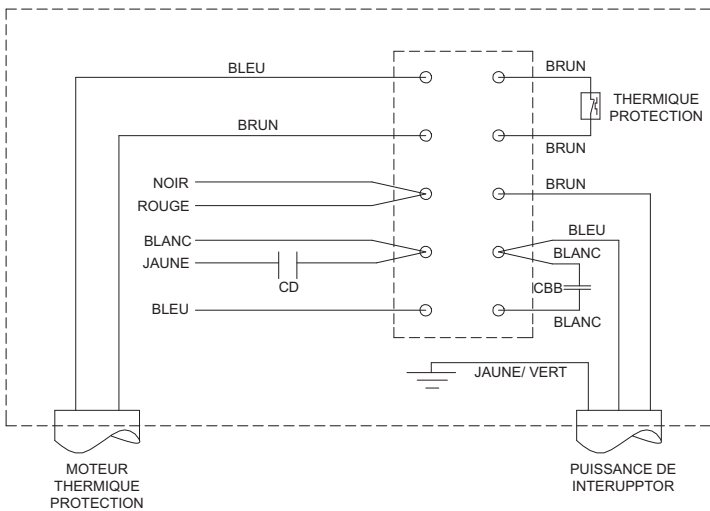
Moteur Yanmar L48 ➔ Avril '04

	Chaque monate ou 50 Heures	Chaque 3 monates ou 200 Heures	Chaque 6 monates ou 400 Heures	Chaque années ou 1000 Heures
Vérifiez le niveau de carburant et de recharge. - Avant l'opération				
Égoutter le réservoir de carburant	✓			
* Nettoyez le filtre à carburant		✓		
* Remplacer le filtre à carburant			✓	
Vérifiez le carburant / huile de fuite - Après l'opération				
* Buses d'injection de carburant, injection Vérifiez la condition			✓✓	
* Vérifiez l'injection			✓✓	
* Vérifiez la pompe d'injection de carburant				✓✓
Vérifiez le niveau d'huile dans le carter d'huile et de recharge - Avant l'opération				
Remplacer l'huile de graissage	1er temp	2e & après		
Nettoyez le filtre à huile de lubrification	1er temp		2e & après	
Vérifier les fuites d'huile de graissage - Après l'opération				
Vérifiez la soupape de dégagement				✓
* Vérifiez le filtre à air élément		✓		
* Remplacer le filtre à air élément			✓	
Vérifiez le niveau du liquide de batterie et la recharge - Avant l'opération				
Vérifiez les feux d'avertissement - Lorsque le moteur est démarré				
Réglage de la soupape d'admission et d'échappement d'apurement			✓✓	

Bettonniere	A Chaque	50 Heures	250 Heures	500 Heures	1000 Heures
Graisser l'axe de potence		✓			
Graisser le boîte réduction (10 graissages)			✓		
Enlever le tambour, graisser l'arbre			✓		
Vérifier les boulons et écrous	✓				
Vérifier l'huile/boîte de réduction				✓	✓
Remplir le graisseur		✓			
Vérifier les composants/fuites	✓				



MOTEUR



Ratios de Malaxage

Le bon ratio de malaxage (ciment : sable : la pierre) dépend du type d'application ; un béton plus dur exige plus de ciment, des applications plus approximatives exigent plus d'agrégat. Les rapports donnés ci-dessous sont à titre indicatif : les meilleures proportions peuvent dépendre de la qualité du sable/de pierre utilisés.

D'abord, mettez environ 7 litres d'eau (1 ½ gallons), plus ou moins selon le type de malaxage voulu. Ajouter de l'agrégat avant d'ajouter le ciment, pour éviter tout collage. Pour obtenir le malaxage souhaité, il faut travailler correctement sur le rapport de mélange des matériaux

Obtenir un bon mélange

Le temps approximatif de malaxage pour le béton est de 2-4 minutes de quand tout les matériel ont été ajoutés (eau y compris) – un surdosage peut réduire la force et causer la séparation des agrégats plus bruts.

Il faut faire attention aux agrégats de qualité inférieure; ceux-ci peuvent causer des désagréments lors des chutes de températures, de gel pouvant abîmer son écoulement.

Il ne faut également pas obtenir un mélange de béton trop humide car celui-ci peut réduire la force et la rendre moins résistant à la séparation.

Entretenir votre bétonnière

Ne jamais jeter de matériel dans la bétonnière – L'écoulement va se solidifier au-dessus de la jante ou elle se collera fermement à l'arrière du tambour et ne pourra être enlevé qu'en arrêtant la bétonnière.

Maintenir votre bétonnière propre - le matériel durcira dans le fût gauche, et ceci à chaque utilisation jusqu'à ce que la bétonnière soit inutilisable.

Ne pas jeter de briques dans le tambour de la bétonnière pour la nettoyer. La meilleure méthode est de malaxer de 1" (2 ½ centimètre)de gravier et d'eau propre – Utilisez la abondamment, et ceci vous prendra la moitié de votre temps de travail.

APPLICATIONS	QUANTITE		
	CIMENT	SABLE	PIERRE
LE PLUS ORDINAIRE	1	2	4
FONDATIONS	1	3	6
MASSE DE BETON BRUT	1	4	8
BETON IMPERMEABLE, RESERVOIRS, CUVETTES ETC.	1	1.5	3

Garantie

La Premier XT de Altrad Belle est garantie à l'acquéreur d'origine un an (12 mois) à partir de la date originale de l'achat. La garantie Altrad Belle s'applique à tous défauts de matériaux ou à un vice de conception ou de fabrication.

La garantie Altrad Belle ne couvre pas ce qui suit :

- Dégâts causés par un usage abusif, négligent, une chute ou tous autres dégâts similaires causés par le non-respect des instructions concernant l'assemblage, l'utilisation ou les opérations d'entretien à effectuer par l'utilisateur, ou résultant de celle-ci.
- Toutes modifications, additions ou réparations effectuées par des personnes autres que les responsables de Altrad Belle ou ses agents agréés.
- Les frais de transport ou d'expédition pour retourner l'appareil à Altrad Belle, ou ses agents agréés, et le renvoyer, en vue de le faire réparer ou évaluer après revendication sous garantie.
- Les coûts des matériaux et/ou de la main-d'œuvre requis pour remplacer, réparer ou renouveler les composants en raison d'une usure raisonnable.

Sont exclus de la garantie les composants suivants :

- Courroie(s) d'entraînement
- Filtre à air de moteur
- Bougie de moteur

Altrad Belle et/ou ses agents agréés, directeurs, employés ou assureurs ne sont pas tenus responsables de tous dégâts consécutifs ou autres, pertes ou dépenses encourus en relation avec l'utilisation de l'appareil, ou l'incapacité d'utiliser l'appareil dans un but quel qu'il soit.

Réclamations sous garantie

Il faut tout d'abord adresser toutes réclamations sous garantie à Altrad Belle par téléphone, fax, e-mail ou par courrier. Pour les revendications sous garantie :

Tel : +44 (0)1298 84606,

Fax : +44 (0)1298 84722

Email : warranty@belle-group.co.uk

Prière d'écrire à :

Altrad Belle Warranty Department, Sheen, Nr. Buxton, Derbyshire, SK17 0EU, England.

O motor instalado na gama de betoneiras Altrad Belle PREMIER XT tem uma garantia de 12 meses. Quaisquer problemas havidos com o motor durante o período da garantia devem ser resolvidos com o concessionário autorizado do motor mais perto de si.

Se precisar de saber o nome do concessionário autorizado mais perto de si, solicite a lista dos mesmos à Altrad Belle.

Números de Série

ATENÇÃO! Anote os números de série do seu equipamento e indique-os sempre em qualquer contacto com o concessionário Altrad Belle.

NÚMERO DE SÉRIE DA MÁQUINA

NÚMERO DE SÉRIE DO MOTOR

Parabéns pela compra da sua betoneira da gama Altrad Belle.

Esta máquina é fabricada de acordo com as directivas da CEE em vigor e é fornecida com uma declaração de conformidade e com os autocolantes da marca CE, aplicáveis nos territórios onde têm força de lei.

Leia cuidadosamente este manual e respeite todas as instruções de segurança e operação antes, durante e depois de utilizar o seu equipamento. Mantenha a máquina em boas condições de funcionamento.

Quando fizer assistência à sua máquina só deve utilizar peças originais. O utilizador perde qualquer possibilidade de reclamar se as peças utilizadas forem de qualquer marca que não a original.

Mantenha este manual com a sua máquina para futuras consultas.

SEGURANÇA E PROTECÇÃO DE ACIDENTES

Instruções De Operação:

Todas as pessoas que utilizarem, montarem, operarem, arrancarem, controlarem, manterem ou repararem esta máquina devem ler e compreender estas instruções de operação.

Responsabilidade Do Proprietário:

O proprietário deve certificar-se que só pessoas qualificadas podem operar, manter ou assistir esta máquina.

Armazenamento:

Quando não a estiver a utilizar, armazene-a num local seco e fechado. Mantê-la fora do alcance de crianças.

Utilização Para Os Fins A Que Foi Destinada:

As misturadoras são concebidas para a produção de betão, argamassa e rebocos. A misturadora só deve ser usada para os fins para que foi concebida e não é indicada para misturar substâncias inflamáveis ou explosivas. As misturadoras não devem ser usadas em atmosferas explosivas.

MANUTENÇÃO E REPARAÇÃO

Só os distribuidores autorizados devem reparar as misturadoras e de acordo com os pressupostos da marca CE (quando aplicável), sem prejuízo das especificações originais.



AVISO

Quaisquer manutenções e reparações feitas em quaisquer componentes dos motores eléctricos devem ser realizadas por electricistas qualificados.

PEÇAS DE SUBSTITUIÇÃO

Contacte o distribuidor Altrad Belle mais próximo. Quando encomendar peças de substituição por favor indique o tipo de produto, o número de série e o modelo do motor. Seleccione a peça requerida da lista de peças fornecida indicando o número da página, o número do item pretendido e a quantidade requerida.

	Page number
Garantia Do Motor.....	32
Introdução.....	32
Símbolos	33
Plug Wiring	33
Instruções De Segurança	34
Transporte	35
Posições De Mistura	35
Controlos Funcionais.....	36
Dados Técnicos.....	37
Instruções De Operação - Electric Motors.....	38
Instruções De Operação - Yanmar L48.....	39
Instruções De Operação - Lister Petter Build 10 & 32.....	39
Instruções De Manutenção	40 - 41
Lister Petter 10 & 32 Verificação E Manutenção	42
Yanmar L48 Verificação E Manutenção	43
Diagrama de ligações.....	44
Sugestões De Mistura.....	45
Garantie.....	45

A Altrad Belle reserva o direito de mudar as especificações da máquina sem aviso prévio.

Símbolos



PROTECÇÃO AURICULAR



RISCO DE FOGO E EXPLOÇÃO



LER O MANUAL DE OPERAÇÃO



PROTECÇÃO OCULAR



CALÇADO DE PROTECÇÃO



PONTO DE ELEVAÇÃO

ATENÇÃO - IMPORTANTE

A gama de misturadores Premier são destinados para uso industrial, os seguintes tipos de fichas são fornecidos equipados para o produto:

110V motor - 32 ampères BS4343 classificado tipo de ficha.

230V motor - 16 ampères BS4343 classificado tipo de ficha.

415V motor - 32 ampères BS4343 classificado tipo de ficha.

Colocação de um plugue - **AVISO ESTE PRODUTO DEVE SER LIGADO À TERRA**

IMPORTANTE: Os fios do condutor são coloridos de acordo com o seguinte código:

VERDE / AMARELO = EARTH. AZUL = NEUTRO. CASTANHO = SOB TENSÃO.

O fio de cor Verde e Amarela deve ser ligado ao terminal que está marcado com a letra E ou com a cor de Verde e Amarela. O fio de cor Castanho deve ser ligado ao terminal que está marcado com a letra L ou com a cor Vermelha. O fio de cor Azul deve ser ligado ao terminal que está marcado com a letra N ou com a cor de Preta.

Always ensure before connecting to the supply that the supply voltage is the same as the rated voltage marked on the motor.

LEIA ESTAS INSTRUÇÕES DE SEGURANÇA

Por favor leia e compreenda todas as instruções de utilização e segurança antes de começar a operar com a máquina.

**CUIDADO**

O equipamento não é para ser usado por crianças ou pessoas com capacidades físicas, sensoriais ou mentais reduzidas, ou falta de experiência e conhecimento a menos que sejam supervisionadas ou instruídas. As crianças devem ser supervisionadas de modo a garantir que não brincam com o equipamento.

ANTES DE LIGAR A BETONEIRA

- Verifique se todas as protecções estão correctamente montadas e bem fixas..
- Não usar roupa larga ou jóias que possam prender-se durante o trabalho com a máquina. A roupa adequada deve ser de acordo com as regras de segurança da CEE e locais: Fatos macaco, botas de trabalho, óculos de protecção, máscara anti-poeiras, luvas, protectores auriculares, etc...
- Assegure-se de que todos os cabos de reboque estão protegidos contra danos e que não estão susceptíveis de se tropeçar neles nem de ficarem presos por baixo da betoneira.
- **Recomendamos a utilização de um Dispositivo de Corrente Residual numa tomada de 220-240v.**
- Remover todo a material de embalagem antes de iniciar a utilização.

QUANDO OPERAR COM A MISTURADORA

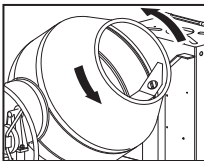
- Manter a porta do compartimento do motor fechada durante a operação de mistura.
- Manter as pessoas não autorizadas longe da cuba.
- Manter a área à volta da misturadora livre de obstáculos, que possam causar a queda de pessoas nas peças móveis.
- Assegurar-se que a misturadora está nivelada antes de começar a produzir.
- Verificar se os travões das rodas posteriores estão accionados antes de começar a operar.
- Familiarizar-se com os controlos antes de começar a operar.
- Verificar se há ventilação adequada quando utilizar motores diesel em áreas confinadas.
- Substituir quaisquer autocolantes de aviso que estejam gastos, danificados ou em falta.
- Assegurar-se que a cuba está a rodar enquanto se esvazia a misturadora.
- **DESLIGUE** sempre e retire a ficha da tomada se deixar a máquina sozinha.
- Não transportar a misturadora enquanto está a trabalhar.
- Manter-se afastado de zonas perigosas.

PARAGEM DE EMERGÊNCIA

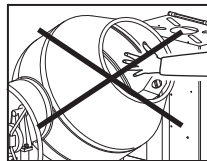
Consultar o capítulo "Instruções de Operação".

COMBATE A INCÊNDIO

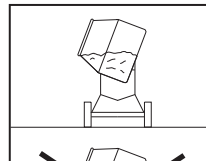
Se a sua betoneira pegar fogo, desligue a corrente eléctrica. Utilizando um extintor de pó seco ou de CO2 apague o incêndio. Se não conseguir apagar o incêndio, mantenha-se longe e chame os bombeiros. Se tiver dúvidas quanto à condição de segurança da sua máquina, é favor contactar o Concessionário de Assistência autorizado da Altrad Belle.



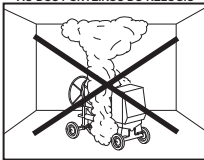
A CUBA RODA NO SENTIDO CONTRÁRIO AO DOS PONTEIROS DO RELÓGIO



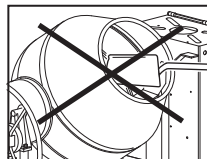
NÃO METER QUALQUER PARTE DO CORPO NA CUBA



NÃO ULTRA PASSAR A CAPACIDADE DE INDICADA



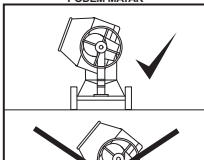
TRABALHAR SEMPRE EM LOCAIS BEM VENTILADOS OS FUMOS DE ESCAPE PODEM MATAR



NÃO METER PÁS DE CARGA NA CUBA



CARREGAR E DE CARREGAR CORRECTAMENTE A BETONEIRA PARA OU MEIO DE TRANSPORTE UTILIZADO (Ver Capítulo de Transporte neste Manual)



TRABALHAR SEMPRE EM SOLO NIVELADO



NÃO ATESTAR DE ÓLEO OU COMBUSTÍVEL COM O MOTOR A TRABALHAR

CARREGAMENTO COM EMPILHADOR

- Para transportar de um local para o outro, deve-se utilizar uma carrinha ou um camião. A betoneira tem um encaixe próprio para o garfo (Fig. 3) localizado por baixo da estrutura principal para permitir a utilização dum empilhador para carregar a máquina (Fig. 1)

CARREGAMENTO COM GRUA

- Rodar a cuba para baixo para o olhal ficar na posição de carga adequada (Fig. 2).
- Assegurar-se que os cabos de elevação foram inspeccionados de acordo com as directivas de saúde e segurança e são suficientemente fortes para aguentar o peso da betoneira. Ver as características técnicas. Verificar se o gancho de elevação está correctamente posto antes de iniciar a elevação.
- Não se manter debaixo da máquina enquanto esta está a ser carregada.

REBOQUE

- Estas betoneiras estão preparadas para ser rebocadas por curtos períodos de tempo e a uma velocidade máxima de 8 Km/Hora (Fig. 4).
- NÃO rebocar em auto-estrada.

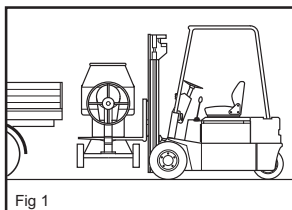


Fig 1



Fig 3

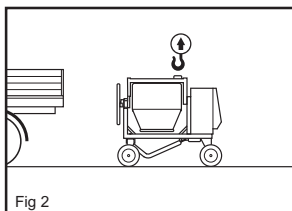


Fig 2

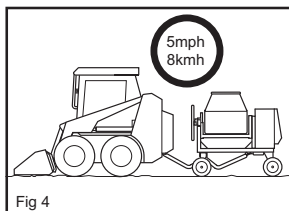


Fig 4

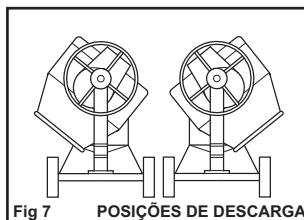
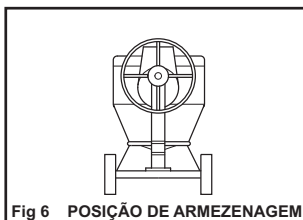
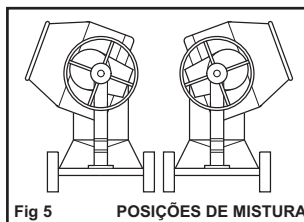
Posições De Mistura

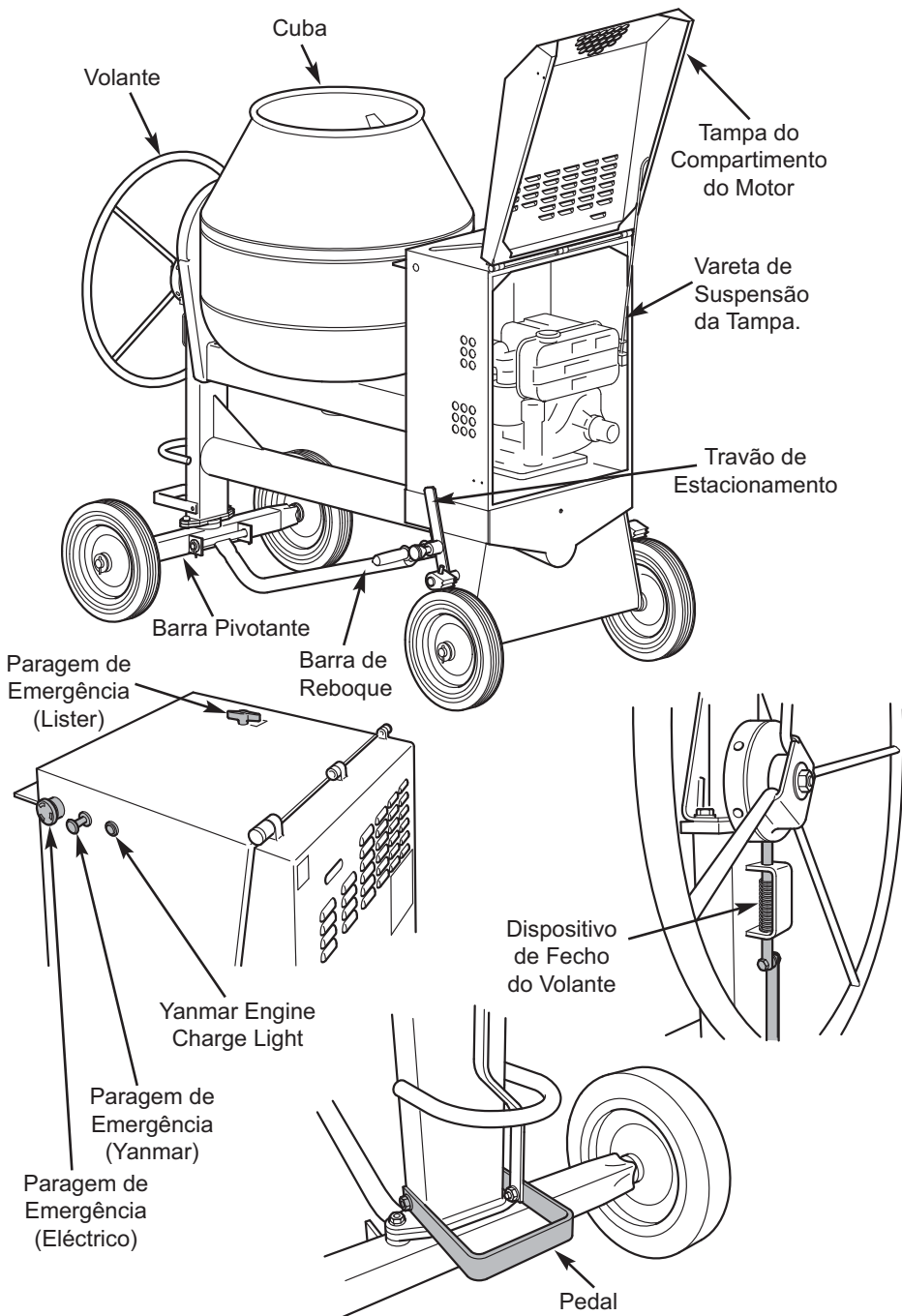
INCLINAÇÃO DA CUBA

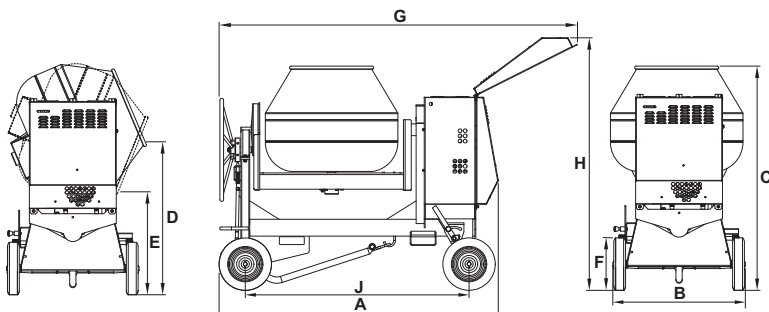
O volante manual proporciona um controlo fácil da cuba que pode ser bloqueada nas posições de armazenamento, mistura e descarga.

A cuba pode ser bloqueada por um dispositivo de fecho que engata no volante. Para mover a cuba o dispositivo deve ser desengatado, isto é feito pressionando o pedal que está situado acima da barra frontal pivotante. O volante movimentar-se-á livremente permitindo o reposicionamento da cuba. Para voltar a bloquear a cuba na posição pretendida libertar o pedal e rodar o volante até que o dispositivo de fecho engate no volante.

- NÃO meter a mão através do volante.
- Manter **SEMPRE** ambas as mãos no volante.







	100XT	150XT	175XT	200XT
A - COMPRIMENTO TOTAL (MM)	1765	1765	1890	1890
B - LARGURA TOTAL (MM)	900	900	900	900
C - ALTURA TOTAL (MM)	1475	1560	1520	1590
D - ALTURA DE ENCHIMENTO (MM)	1025	1065	1000	1050
E - ALTURA DE DESCARGA (MM)	710	656	650	615
F - DIÂMETRO DAS RODAS (MM)	350	350	350	350
G - COMPRIMENTO TOTAL – PORTA ABERTA (MM)	2085	2085	2390	2390
H - ALTURA TOTAL – PORTA DO MOTOR ABERTA (MM)	1950	1950	1950	1950
J - DISTÂNCIA ENTRE EIXO	1295	1295	1520	1520
CAPACIDADE DE CARGA E DÉBITO DA CUPA EM PÉS CUBICOS	5/3.5	7/5	8/6	10/7
DÉBITO DE MISTURA (LTR)	110	160	180	220
CAPACIDADE MÁXIMA DA CUBA (LTR)	250	300	350	400
CAPACIDADE MÁXIMA DA CUBA COM MISTURA SECA (LTR)	160	220	250	310
VELOCIDADE DA CUBA (RPM)	19	19	19	19

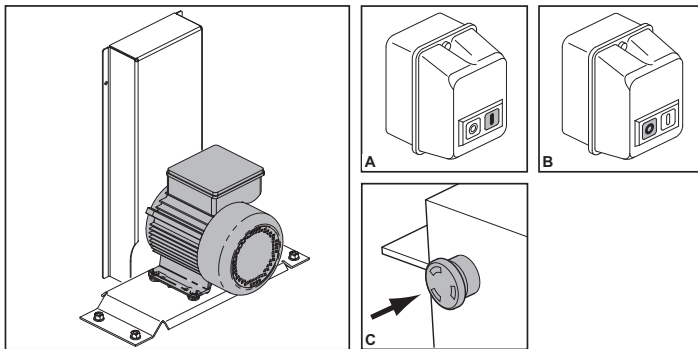
ELÉTRICA	100XT	150XT	175XT	200XT	100XT	150XT	175XT	200XT	100XT	150XT	175XT	200XT
	UNLADEN WEIGHT (Kg)	305.5	314.5	322.5	325	303.5	312.5	320.5	323	305.5	314.5	322.5
TENSÃO NOMINAL (V)	110				240				415			
CORRENTE NOMINAL (Amp)	13.7				6.6				3.6			
POTÊNCIA NOMINAL					1.5							
FREQÜÊNCIA DA TENSÃO (Hz)					50							
MOTOR RPM	1350				1430				1500			
MOTOR DE PROTEÇÃO	Térmica / NVR											
CONSUMO DE ENERGIA (Kwh)	1.5											
NÍVEL DE POTÊNCIA SONORA (LWA)	87dB(A)											
DIESEL	LISTER				YANMAR							
	100XT	150XT	175XT	200XT	100XT	150XT	175XT	200XT	100XT	150XT	175XT	200XT
PESO SEM CARGA (Kg)	367	376	392.5	395	334.5	343.5	350.5	353.5				
MODELO DO MOTOR	LT1 (Build 32)		LT1 (Build 10)		L48							
POTÊNCIA NOMINAL (KW)	0.75		1.9		2.3							
MÉTODO DE ARRANQUE	Manivela				Electric / (Recoil Backup)							
CAPACIDADE DO DEPÓSITO DE COMBUSTÍVEL	5				2.5							
NÍVEL SONORO (LWA)	99 dB(A)											

1. MOTOR ELÉTRICO : VARIANTES**PARANADO**

- 1.1 Pressione botão vermelho (ou interruptor on / off de alternância se equipado para a posição Off) para arar a misturador (Fig B).

INICIANDO

- 1.2 Levante porta traseira. Cabo de alimentação
Cabo de alimentação
- 1.3 alimentação para fora através da parte traseira do mixer e ligue a fonte de alimentação.
- 1.4 Depress VERDE Button (ou on / off de alternância mudar se montado no On posição) para iniciar misturador (figura A).



- **Assegurar cabo de alimentação é armazenado com segurança antes do misturador em movimento.**
- **Mantenha porta fechada traseira quando misturador está em execução**

PARADA DE EMERGÊNCIA

- 1.5 Pressione grande botão vermelho, situado na parte superior esquerda da habitação unidade de potência (Fig C)

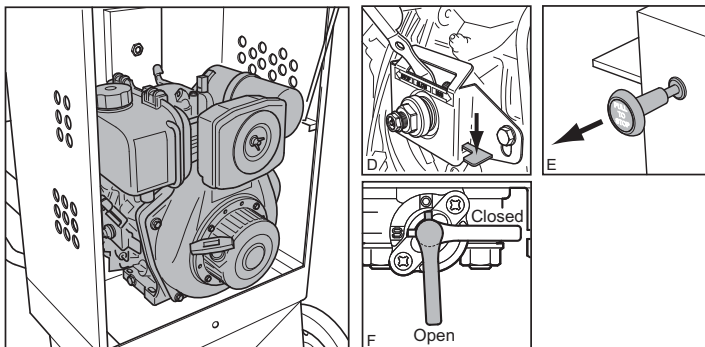
2. YANMAR (PARTIDA ELÉTRICA)**PARANADO**

- 2.1 Pressione alavanca vermelha (Fig D).
- 2.2 Volta para a esquerda até que as principais curvas de ignição do motor (Fig J).

- **Nota:** luz indicadora vermelha acende quando o sistema de carregamento do motor falha.
- **Certifique-se que quando a máquina não estiver em uso que ignição é desligada, ou poderá ocorrer falha da bateria.**

PARADA DE EMERGÊNCIA

- 2.2 Puxe a alça do lado da caixa de unidade de alimentação para parar a máquina (Fig E).

**PARTIDO A FRIO**

- 2.3 Levante a porta traseira.

- **Abrir a torneira de combustível, se equipado (Fig F).**

- 2.4 Em situações de partida a frio do motor requer 2cc de óleo do motor (10w-30) a ser aplicada usando o aplicador de óleo. O petróleo deve ser inserido no motor, retirando a ficha de borracha na porta de escorvamento, garantir o plugue é substituído (Fig G).

- 2.5 Verifique se o botão de parada de emergência estiver pressionado (Fig H).

- 2.6 Colocar a alavanca de rotação do motor (situado no lado esquerdo do motor) para a posição de funcionamento (Fig I).

- 2.7 Gire no sentido horário até que o motor chave de ignição vira,-chave liberação whenengine começa. Se o motor não ligar, o processo de arranque a frio repetir.

- **Nota:** Uma vez que uma tentativa de ligar o motor falhou, antes de voltar a tentar a chave deve ser rodado de volta para a OFF position.
- **Não opere com a porta traseira aberta.**

PARTIDA WARM

- Processo 2.8 Repita acima de 2.5.

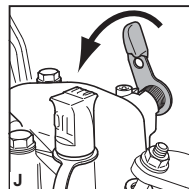
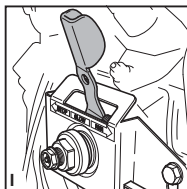
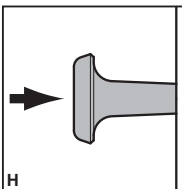
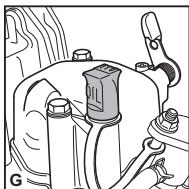
3. YANMAR (recuo de início) de volta até a partida elétrica

PARAR

3.9 Pressione a alavanca vermelha (Fig D).

PARADA DE EMERGÊNCIA

3.10 Puxe a alavanca ao lado da caixa de unidade de alimentação para parar a máquina (Fig E).



ARRANQUE A FRIO

3.11 Levantar a tampa do compartimento do motor.

Abrir a torneira de combustível, se equipado (Fig F).

3.12 Em situações de partida a frio do motor requer 2cc de óleo do motor (10w-30) a ser aplicada usando o aplicador de óleo. O óleo deve ser inserido no motor, retirando a ficha de borracha na porta de escorvamento, verifique se o plugue é substituído (Fig G).

3.13 Assegurar o botão de parada de emergência estiver pressionado (Fig H).

3.14 Coloque a alavanca de rotação do motor (situado no lado esquerdo do motor) para a posição de funcionamento (Fig I).

3.15 Puxe o recuo a partir identificador para o ponto onde você sente uma forte resistência, em seguida, retornar à posição de instalação. Empurre para cima a alavanca de descompressão (lado superior direito do motor), este retornará automaticamente quando a alça de recuo é puxado para o segundo tempo.

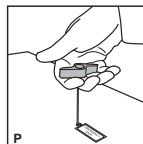
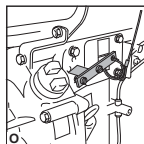
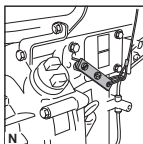
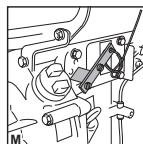
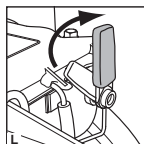
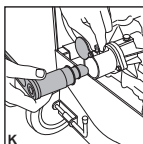
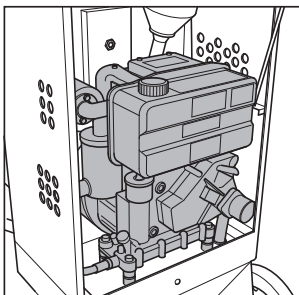
3.16 Aplicar as duas mãos para o recuo a partir alça e puxe rapidamente, se o motor não pegar repetição de 3,15.

- Não opere com a porta traseira aberta.

ARRANQUE A QUENTE

3.17 Seguir as instruções acima desde 3.14.

4. LISTER PETTER : ARRANQUE POR MANIVELA



- Dever-se-á ter muita cautela quando se faz o arranque da máquina. Usar sempre a manivela de arranque “anti-choice”
- Certificar-se que a manivela está correctamente inserida no canhão de arranque antes de accionar o motor (FIG K).
- Verificar os níveis de óleo e de combustível diariamente antes do arranque.
- Verificar se a vareta de suspensão da tampa do compartimento do motor está devidamente fixa antes de efectuar o arranque.
- Manter a tampa do compartimento do motor fechada durante a operação de mistura.

4 PARAR

4.1 Abrir a tampa e mover a alavanca Ligar/Parar “start/stop” para a posição de paragem “stop” (FIG. L).

ARRANQUE A FRIO

4.2 Levantar a tampa do compartimento do motor.

4.3 Levantar o botão de segurança pôr a manivela no canhão de arranque e girar a manivela até engatar. (FIG. N)

4.4 Mover a alavanca Ligar/Parar “start/stop” para a posição de Ligar “start” (FIG. N).

4.5 Empurrar a alavanca de descompressão para a posição vertical e manter (FIG. L).

4.6 Fazer o arranque do motor tão depressa quanto possível e mover a alavanca de descompressão para a posição de trabalho enquanto continua a girar energicamente a manivela até o motor disparar.

4.7 Depois do motor arranque, retirar a manivela e colocá-la no suporte. Depois mover a alavanca de Ligar/Parar “start/stop” para a posição de Trabalhar “RUN” (Fig. O).

ARRANQUE A QUENTE

4.8 Seguir as instruções acima desde 1.2 a 1.6. contudo arranque o motor com a alavanca de Ligar/Parar “start/stop” na posição de Trabalhar “RUN”.

PARAGEM DE EMERGÊNCIA

4.9 Puxe a alavanca que está no topo do compartimento do motor (Fig P).

Antes de iniciar qualquer trabalho de manutenção ou reparação pare o motor.

Depois de acabar o trabalho, verifique se a betoneira funciona correctamente e se todas as protecções estão devidamente montadas.

MOTOR ELÉCTRICA

Todos os aparelhos eléctricos portáteis são perigosos se se abusar deles. Esta máquina só operará sob uma tensão. Verifique a corrente eléctrica para se assegurar de que corresponde à tensão indicada na placa de características. Make sure that the motor is switched off before you plug it into the power supply.

220-240v - Utilize sempre um Dispositivo de Corrente Residual ("RCD") (disparo de fuga de terra), directamente ligado à tomada de 230v. Se utilizar uma extensão, ligue-a directamente a um RCD.

110v - Se utilizar um transformador portátil, este deve ter um rendimento mínimo de 2,5kw e a uma taxa contínua. Usar sempre um dispositivo de corrente residual (RSD) entre os 230v fornecidos e o transformador.

- **NÃO** utilize uma extensão entre o transformador e a alimentação eléctrica.

Os símbolos no interruptor ON/OFF são 0 (Vermelho)= OFF (desligado) e I (Verde)= ON (ligado) de acordo com as normas internacionais.

⚠ Se o cabo de alimentação estiver danificado, deve ser substituído por um cabo especial ou uma disponível do fabricante ou o seu agente de serviço. (Ver Diagrama de Fiação na página 40.)

EXTENSION CABLES

Se precisar de utilizar uma extensão, esta não deve exceder os 30 metros (100 pés) de comprimento. The wire section for 220-240v must be 2.5mm². A secção dos fios para 110v deve ser 4mm² em 100XT e 6mm² em outros modelos. Certifique-se de que o cabo de extensão é cuidadosamente definidos evitando líquidos, arestas cortantes e lugares onde veículos pode correr sobre ele. Desenrolá-lo totalmente ou ele vai superaquecer e pode pegar fogo. Certifique-se de que todas as conexões dos cabos de extensão são seco seguro.

MOTORES DE COMBUSTÃO

- **Cuidado com a direcção dos gases de escape.**

ÓLEO DO MOTOR

O motor necessita que o óleo seja verificado regularmente. Tente não trabalhar com o nível de combustível demasiado baixo pois isso pode criar sedimentos na base do depósito e danificar o ejector e a bomba. A reparação e rectificação das tubagens e componentes afectados pelos contaminantes do combustível não são aceites em garantia nem tão pouco as avarias causadas ou influenciadas pela máquina ficar sem combustível. Pode ser necessário sangrar o sistema de combustível para retirar o ar antes de arrancar. Seleccione a viscosidade do óleo do motor adequada com base na temperatura ambiente e utilize o gráfico do grau de viscosidade de serviço SAE abaixo. Neste equipamento, é utilizado SAE 10W-30 de fábrica.

Especificações do óleo do motor

Utilize um óleo do motor que cumpra ou exceda as seguintes directrizes ou classificações:

Categorias de serviços

- Categorias de serviço API CD ou superior.
- Categorias de serviço ACEA E-3, E-4 e E-5
- Categoria de serviço JASO DH-1

Definições

- Classificação API (American Petroleum Institute)
- Classificação ACEA (Association des Constructeurs Européens d'automobiles)
- JASO (Japanese Automobile Standards Organisation)

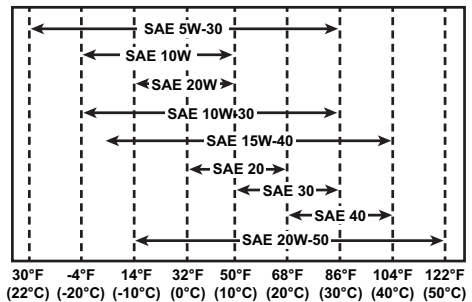
CUBA (remoção e montagem)

A cuba pode ser rapidamente removida desapertando-a no sentido dos ponteiros do relógio na posição vertical. Retire a cuba da máquina utilizando um empilhador com os garfos colocados por baixo da base da cuba. Quando substituir a cuba, certifique-se que o respectivo veio é previamente lubrificado e está completamente apertado no ressalto assim como a cuba. Caso contrário podem ocorrer danos. Tenha em atenção que ao aparafusar a cuba não a rode demasiado rápido pois pode danificar a transmissão.

LIMPEZA

Retirar qualquer material externo. **NÃO** usar gasolina, terebentina, laca, solvente, produtos de limpeza a seco ou similares. Nunca deixe quaisquer líquidos perto do motor. Usa gravilha e água limpa para limpar o interior da cuba.

- **NÃO** utilizar tijolos, etc.... Podem danificar a cuba.



CORREIA DE TRANSMISSÃO

- **NÃO** tentar ajustá-la com o motor a trabalhar.
- **NÃO** trabalhar com a betoneira se a correia estiver folgada.
- **NÃO** operar a máquina sem as protecções devidamente colocadas.

A correia de transmissão está sempre tensionada por um esticador de mola. Os rolamentos são herméticos.

ÓLEO DE TRANSMISSÃO

Nota: O óleo original da transmissão é sintético e não deve ser misturado com óleo mineral.

Atestar a transmissão com 1 (um) litro. Verificar regularmente.

A transmissão é de origem atestada com: Total Transmission com viscosidade W 75W/140

Óleos equivalentes:

Shell :- Tivela SA, Tivela WA, Dentax W

Texaco :- Synlube 90

Esso :- GX 75W/140

Mobil :- Glygoyle 22

Castrol :- WM or Alpha SN150

Caltex :- Synthetic gear lubricant

LUBRIFICAÇÃO E FUNCIONAMENTO

Consultar o capítulo Tabela de Manutenção e Instruções de Operação

Tomar em atenção que os motores diesel vibram mais. Assim, devem-se verificar regularmente se os parafusos e as porcas estão apertados.

O óleo que é fornecido com os motores deve ser mudado depois das 100 horas. As mudanças seguintes devem ser efectuadas conforme a seguir se indica.

Motores Lister Petter 32 E 10

	Diário	Cada 125 Hrs	Cada 250 Hrs	Cada 500 Hrs	Cada 1000 Hrs	Cada 2000 Hrs
Verificar os níveis de combustível e lubrificantes.	✓					
Verificar se há fugas de óleo ou de combustível	✓					
Limpar ou substituir o elemento do filtro de ar quando estiver muito sujo.	✓					
Verificar o estado da bateria.		✓				
Limpar ou substituir o elemento do filtro de ar, se estiver moderadamente sujo.		✓				
Drenar o óleo do cárter e atestar com novo óleo de acordo com as especificações do fabricante		✓	✓			
Limpar ou substituir os ejectores se o escape tiver sujo.			✓			
Se o combustível utilizado contiver impurezas, substituir o elemento do filtro de combustível.			✓			
Substituir o elemento do filtro de ar.				✓		
Verificar se há fugas, danos ou restrições nos sistemas de escape e de indução.				✓		
Substituir o elemento do filtro de combustível.				✓		
Verificar os enrolamentos da bobina do sistema de carga da bateria. Consultar o manual de oficina.				✓		
Verificar as aberturas das válvulas.					✓	
Descarbonizar o motor se o rendimento deste estiver abaixo do normal.					✓	
Limpar o tambor do cilindro e as alhetas da cabeça.					✓	
Limpar o cachimbo na cabeça do cilindro do tubo de alimentação do óleo.					✓	
Drenar, injectar um jacto de ar e atestar o depósito de combustível.						✓

Betoneira	Diário	Cada 50 Hrs	Cada 250 Hrs	Cada 500 Hrs	Cada 1000 Hrs
Lubrificar o pivot do engate boca de lobo		✓			
Lubrificar o sistema de inclinação da cuba (10 disparos com a pistola de lubrificação)			✓		
Retirar a cuba e lubrificar o veio			✓		
Verificar parafusos e porcas	✓				
Verificar o óleo da transmissão				✓	✓
Verificar se há fugas em quaisquer dos componentes	✓				

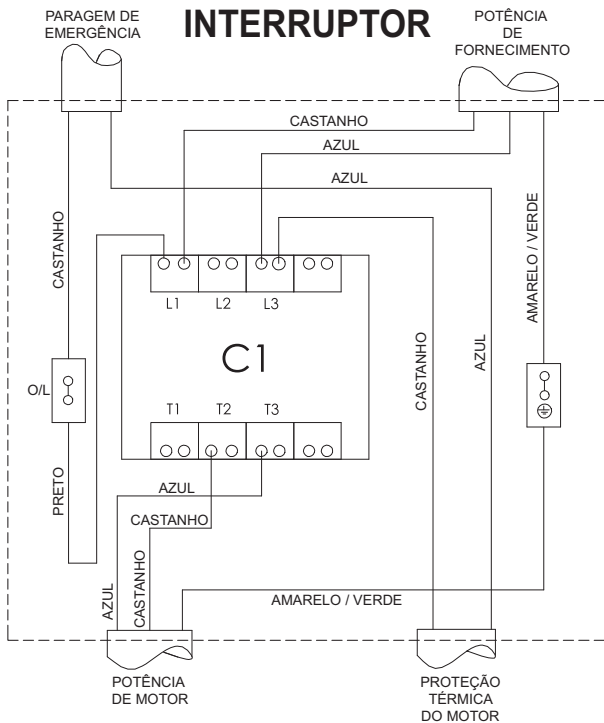
Os itens marcados “✓✓” deve ser reparado por um YANMAR autorizado comerciante, a menos que o proprietário tem capacidade mecânica proficiente e as ferramentas adequadas.

Peças com um asterisco “*” estão relacionados com as regras CARB ULG.

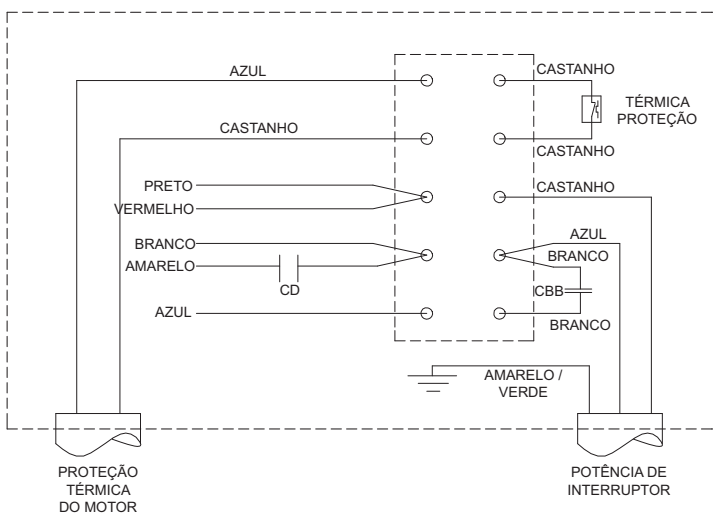
Yanmar L48 Engine → April '04

	Cada mês ou Cada 50 Hrs	Cada 3 meses ou Cada 200 Hrs	Cada 6 meses ou Cada 400 Hrs	Cada ano ou Cada 1000 Hrs
Verifique o nível de combustível e encha novamente. - Antes da Operação				
Drenar o tanque de combustível	✓			
* Limpe o filtro de combustível		✓		
* Substitua o filtro de combustível			✓	
Verifique se há vazamento de combustível / óleo - Depois de Operação				
* Bico de injeção de combustível, verifique as condições de injeção				✓✓
* Verifique o tempo de injeção de combustível			✓✓	
* Verifique a bomba de injeção de combustível				✓✓
Verifique o nível do óleo lubrificante no cárter de óleo e reabasteça - Antes da Operação				
Substituir o óleo lubrificante	1ª vez	2 e depois		
Filtro de óleo lubrificante limpo	1ª vez		2 e depois	
Verifique se há vazamentos de óleo lubrificante - Depois de Operação				
Verifique as folgas das válvulas				✓
* Verifique o elemento do filtro de ar		✓		
* Substitua o elemento do filtro de ar			✓	
Verifique o nível do líquido da bateria e reabastecer - Antes da Operação				
Verifique as luzes de advertência - Quando motor é ligado				
Ajuste da folga de admissão e válvula de escape			✓✓	

Betoneira	Diário	Cada 50 Hrs	Cada 250 Hrs	Cada 500 Hrs	Cada 1000 Hrs
Lubrificar o pivot do engate boca de lobo		✓			
Lubrificar o sistema de inclinação da cuba (10 disparos com a pistola de lubrificação)			✓		
Retirar a cuba e lubrificar o veio			✓		
Verificar parafusos e porcas	✓				
Verificar o óleo da transmissão				✓	✓
Verificar se há fugas em quaisquer dos componentes	✓				



MOTOR



Proporções de mistura

A proporção correcta de mistura (cimento, areia, pedra) depende do tipo de aplicação: betão mais duro requer mais cimento, aplicações mais grosseiras requerem mais agregados. As proporções abaixo mencionadas são meramente indicativas: as melhores proporções também dependem da qualidade da areia/pedra utilizada.

Primeiro, deitar a água – cerca de 7 litros (1 ½ galões) usando mais ou menos água dependendo do tipo de mistura requerida. Adicionar algum agregado antes de juntar o cimento para evitar que a mistura fique pastosa. Misturar consistentemente a proporção de ingredientes seja qual for o tipo de mistura de betão em que se está a trabalhar.

Como obter uma boa mistura

O tempo de mistura de betão aproximado é de 2-4 minutos a partir do momento em que todos os ingredientes (incluindo a água) foram adicionados. Misturar em demasia pode reduzir a consistência e causar a segregação dos agregados mais grosseiros. Ter em atenção os agregados de baixo grau; estes conduziram, mais tarde, a deficiências afundando ou dando um aspecto gelado à mistura.

Também não se deve produzir um betão demasiado húmido porque isso reduz a consistência e diminui a resistência ao clima.

Cuidados a ter com a betoneira

Nunca atirar com material para dentro da betoneira – passá-lo sobre a borda e deixá-lo cair devagar ou este colar-se-á à parte posterior da cuba e depois só poderá ser retirado se se desligar a betoneira.

Manter a betoneira limpa. O material deixado na cuba endurecerá e aumentará o volume em cada utilização até a betoneira ficar inoperacional.

Não atirar tijolos para dentro da cuba da betoneira com a finalidade de a limpar. O melhor método é uma mistura de 2,5 cm (1") de gravilha e água limpa. Esta solução reduzirá o tempo de limpeza para metade.

APLICAÇÕES	QUANTIDADES		
	CIMENTO	AREIA	PEDRA
MAIS COMUM	1	2	4
FUNDAÇÕES	1	3	6
CONCRETO DE MASSA GROSSA	1	4	8
SOLOS, TANQUES, POÇOS I IMPERMEÁVEIS, ETC	1	1.5	3

Garantia

A sua nova Premier XT da Altrad Belle é garantida ao comprador original pelo período de um ano (12 meses) a contar da data da compra. A garantia da Altrad Belle cobre todos os defeitos de concepção, materiais e mão-de-obra.

A garantia Altrad Belle não cobre:

1. Prejuízos causados pelo abuso, má utilização, quedas ou resultantes do incumprimento das instruções de manutenção, operação e montagem.
2. Alterações, incorporações ou reparações realizadas por pessoal não qualificado pela Altrad Belle.
3. Custos de embalagem e transporte de ou para a Altrad Belle ou seus Distribuidores autorizados para reparação ou orçamento de qualquer máquina em garantia.
4. Os custos de material e/ou mão-de-obra para renovar, reparar ou substituir componentes devido a desgaste normal.

Os seguintes componentes não são abrangidos pela garantia:

- Correia(s) de transmissão
- Filtro de ar do motor
- Vela de ignição do motor

A Altrad Belle e/ou os seus representantes autorizados, directores, empregados ou seguradores não podem ser responsabilizados por danos consequentes ou terceiros, perdas ou prejuízos, resultantes da utilização incorrecta da máquina para qualquer fim.

Reclamações de garantia

Todas as reclamações de garantia devem ser dirigidas à Altrad Belle por telefone, fax, e-mail ou por carta.

Para reclamações de garantia:
Altrad Belle Warranty Department,
Sheen, Nr. Buxton
Derbyshire
SK17 0EU
England.

Tel : +44 (0)1298 84606,

Fax : +44 (0)1298 84722

Email : warranty@belle-group.co.uk



Гарантия на двигатель

На двигатели, установленные в смесителях серии Premier XT, дается 12-месячная гарантия. По всем проблемам с двигателем на протяжении гарантийного периода следует обращаться к ближайшему официальному дилеру производителя двигателя.

Узнать название ближайшего официального дилера производителя двигателя можно, обратившись за полным списком дилеров в компанию Altrad Belle.

Серийные номера

ВНИМАНИЕ! Следует посмотреть серийные номера устройства и всегда называть их при обращении к дилеру Altrad Belle.

СЕРИЙНЫЙ НОМЕР УСТРОЙСТВА

СЕРИЙНЫЙ НОМЕР ДВИГАТЕЛЯ / ЭЛЕКТРОМОТОРА



Введение

Поздравляем с покупкой этого высококачественного бетоносмесителя производства компании Altrad Belle.

Данное устройство соответствует требованиям действующих директив ЕЭС, имеет декларацию соответствия и маркировку CE, которая применяется на территориях, где они действуют.

Следует внимательно ознакомиться с настоящим руководством и соблюдать все инструкции по эксплуатации и технике безопасности до, во время и после использования устройства. Следует поддерживать устройство в исправном состоянии.

При обслуживании этого устройства следует использовать только оригинальные запасные части от производителя. Пользователь проиграет все возможные иски, если он использовал неоригинальные запасные части.

Сохраните это руководство для использования в будущем.

ТЕХНИКА БЕЗОПАСНОСТИ И ОХРАНА ТРУДА

Инструкция по эксплуатации:

Все рабочие, которые собирают, эксплуатируют, запускают, обслуживают или ремонтируют это устройство, должны ознакомиться с настоящей инструкцией по эксплуатации.

Ответственность владельца:

Владелец должен допускать к эксплуатации, обслуживанию и ремонту этого устройства только квалифицированных рабочих.

Хранение:

Когда устройство не используется, оно должно храниться в сухом, запираемом месте, недоступном для детей.

Использование по предусмотренному назначению:

Смесители предназначены для приготовления бетонной смеси, цементного или гипсового раствора. Смеситель должен использоваться по предусмотренному назначению и не подходит для смешивания огнеопасных или взрывчатых веществ. Запрещается использовать смесители во взрывоопасной среде.

ТЕХНИЧЕСКОЕ ОБСЛУЖИВАНИЕ И РЕМОНТ

Ремонтировать смеситель должны только официальные дилеры с соблюдением требований знака CE (если применимо) и без отклонений от исходных технических условий.



ОСТОРОЖНО

Обслуживание и ремонт компонентов электромоторов должен выполнять только квалифицированный электрик.

ЗАПАСНЫЕ ЧАСТИ

Следует обращаться к ближайшему дилеру Altrad Belle. Заказывая запасные части, следует указать тип изделия, серийный номер и модель двигателя / электромотора. Следует указать номер страницы и номер позиции из предоставленной спецификации деталей, а также требуемое количество.

	Страница
Гарантия на двигатель	46
Введение	46
Предупредительные знаки	47
Плагин подключения	47
Инструкция по технике безопасности	48
Транспортировка	49
Положения смесительного барабана	49
Органы управления	50
Технические характеристики	51
Инструкция по эксплуатации - Электромотор: варианты	52
Инструкция по эксплуатации - Yanmar L48	53
Инструкция по эксплуатации - Lister Petter Build 10 & 32	53
Инструкция по техническому обслуживанию	54 - 55
Проверки и обслуживание - Lister Petter 10 & 32	56
Проверки и обслуживание - Yanmar L48	57
Монтажная схема	58
Рекомендации по смешиванию	59
Гарантия	59

Altrad Belle вправе изменять технические условия на устройство без предварительного уведомления или обязательства.

Предупредительные знаки



РАБОТАТЬ В ЗАЩИТНЫХ НАУШНИКАХ



РИСК ВОЗГОРАНИЯ ИЛИ ВЗРЫВА



ПРОЧЕШЬ РУКОВОДСТВО ДЛЯ ОПЕРАТОРА



РАБОТАТЬ В ЗАЩИТНЫХ ОЧКАХ



РАБОТАТЬ В ЗАЩИТНОЙ ОБУВИ



ТОЧКА ПОДЪЕМА

ОСТОРОЖНО! ВАЖНО!

Смесители серии Premier предназначены для промышленного использования и поставляются со следующими вилками.

Электромотор 110 В – вилка BS4343 на 32 А.

Электромотор 230 В – вилка BS4343 на 16 А.

Электромотор 415 В – вилка BS4343 на 32 А.

Монтаж вилки – **ОСТОРОЖНО! ЭТО УСТРОЙСТВО ДОЛЖНО БЫТЬ ЗАЗЕМЛЕНО**

ВАЖНО! Провода имеют следующее цветное обозначение:

ЗЕЛЕНый / ЖЕЛТый = ЗАЗЕМЛЕНИЕ, СИНИЙ = НОЛЬ, КОРИЧНЕВый = ФАЗА

Зелено-желтый провод подключается к выводу с маркировкой E (заземление) или выводу зелено-желтого цвета. Коричневый провод подключается к выводу с маркировкой L (фаза) или выводу красного цвета. Синий провод подключается к выводу с маркировкой N (ноль) или выводу черного цвета.

Перед подключением устройства к электросети следует убедиться, что напряжение питания соответствует номинальному напряжению электромотора.

ПРОЧИТЕ ЭТУ ИНСТРУКЦИЮ ПО ТЕХНИКЕ БЕЗОПАСНОСТИ

Перед эксплуатацией этого устройства следует ознакомиться с инструкцией по эксплуатации и технике безопасности.



ОСТОРОЖНО

К эксплуатации устройства не допускаются дети или лица с ограниченными физическими, сенсорными или умственными способностями, не имеющие опыта или знаний и не прошедшие обучение или инструктаж. Необходимо следить, чтобы дети не играли с устройством.

ПЕРЕД ЗАПУСКОМ СМЕСИТЕЛЯ

- Убедиться, что все средства защиты на месте и правильно установлены.
- **ЗАПРЕЩАЕТСЯ** носить просторную одежду или ювелирные изделия, которые могут запутаться в механизмах устройства.
- Подходящая одежда должна отвечать соответствующим европейским или местным стандартам по технике безопасности: спецодежда, рабочая обувь, очки, защитная маска, перчатки, средства защиты органов слуха и пр.
- В смесителях с электроприводом следует проверить следующее: незакрепленные кабели защищены от повреждений, через них невозможно споткнуться, и их не может затянуть под смеситель.
- **Altrad Belle настоятельно рекомендует использовать устройство дифференциальной защиты в цепи 220–240 В.**
- Перед эксплуатацией снять все упаковочные материалы.

ПРИ ЭКСПЛУАТАЦИИ СМЕСИТЕЛЯ

- Во время смешивания крышка кожуха двигателя должна быть закрытой.
- Не допускать посторонних к смесительному барабану.
- Освободить участок вокруг смесителя от преград, которые могут привести к падению людей на подвижные части.
- Перед смешиванием следует убедиться, что смеситель установлен на ровной поверхности.
- Перед запуском смесителя следует убедиться, что задние колеса поставлены на тормоз.
- **ОБЯЗАТЕЛЬНО** ознакомиться с органами управления перед эксплуатацией этого устройства.
- **ОБЯЗАТЕЛЬНО** обеспечить достаточную вентиляцию при эксплуатации дизельных двигателей в закрытом пространстве.
- **ОБЯЗАТЕЛЬНО** заменять изношенные / поврежденные предупредительные знаки.
- **ОБЯЗАТЕЛЬНО** убедиться, что барабан вращается при разгрузке смесителя.
- **ОБЯЗАТЕЛЬНО** выключать и отсоединять от сети устройство, перед тем как оставить его без присмотра.
- **ЗАПРЕЩАЕТСЯ** транспортировать этот смеситель во время смешивания.
- **ОСТЕРЕГАТЬСЯ** опасных зон.

АВАРИЙНЫЙ ОСТАНОВ

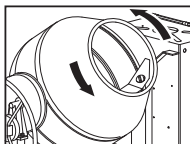
Подробнее см. в разделе «Инструкция по эксплуатации».

ПОЖАРОТУШЕНИЕ

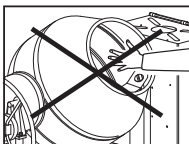
В случае возгорания смесителя выключить электропитание.

Потушить огонь порошковым или углекислотным огнетушителем. Если огонь не удастся потушить, не подходить к смесителю и вызвать пожарную команду.

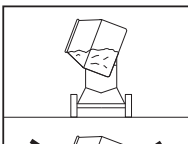
Если безопасность устройства вызывает сомнения, следует обратиться к ближайшему дилеру Altrad Belle или напрямую в компанию Altrad Belle.



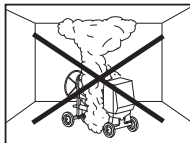
БАРАБАН ВРАЩАЕТСЯ ПРОТИВ ЧАСОВОЙ СРЕЛКИ



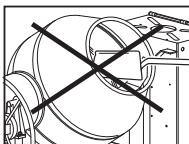
НЕ ЛЕЗТЬ РУКАМИ И ДРУГИМИ ЧАСТЯМИ ТЕЛА В БАРАБАН



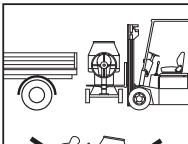
НЕ ПРЕВЫШАТЬ НОМИНАЛЬНУЮ ПРОИЗВОДИТЕЛЬНОСТЬ



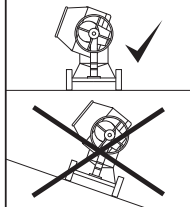
РАБОТАТЬ ТОЛЬКО В ХОРОШО ПРОВЕТРИВАЕМЫХ МЕСТАХ. ВЫХОДЯЩИЕ ГАЗЫ МОГУТ УБИТЬ



НЕ СОВАТЬ ЛОПАТУ В БАРАБАН



СОБЛЮДАТЬ ПРАВИЛА ПОГРУЗКИ И ВЫГРУЗКИ (СМ. РАЗДЕЛ «ТРАНСПОРТИРОВКА»)



УСТАНАВЛИВАТЬ СМЕСИТЕЛЬ ТОЛЬКО НА РОВНОЙ ПОВЕРХНОСТИ



НЕ ЗАЛИВАТЬ ТОПЛИВО ИЛИ СМАЗОЧНОЕ МАСЛО ВО ВРЕМЯ РАБОТЫ ДВИГАТЕЛЯ

ПОГРУЗКА ВИЛОЧНЫМ ПОГРУЗЧИКОМ

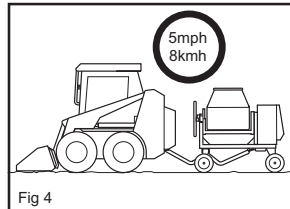
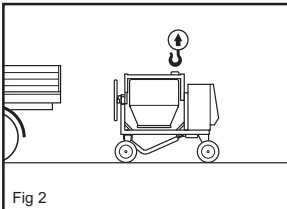
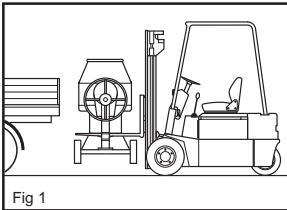
- Для нормальной перевозки с участка на участок следует использовать обычный способ погрузки в грузовик или прицеп. Проушина (рис. 3) под основной рамой позволяет погрузить смеситель вилочным погрузчиком (рис. 1).

ПОГРУЗКА КРАНОМ

- Перед подъемом нужно перевернуть смесительный барабан вверх дном, на котором находится такелажная проушина (рис. 2).
- Проверить подъемные тросы на соответствие действующим нормам охраны труда и общему весу смесителя. См. технические характеристики. Перед подъемом устройства следует проверить правильность расположения подъемного крюка.
- **НЕ** стоять под грузом.

БУКСИРОВКА

- Эти смесители предназначены для недлительной буксировки со скоростью до 8 км/ч (рис. 4) только по рабочему участку.
- **НЕ** буксировать по дорогам общего пользования.



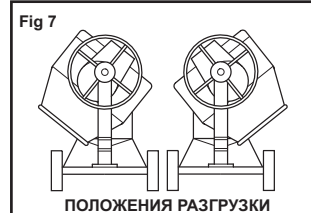
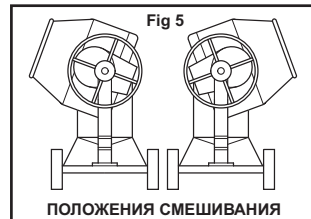
Положения смесительного барабана

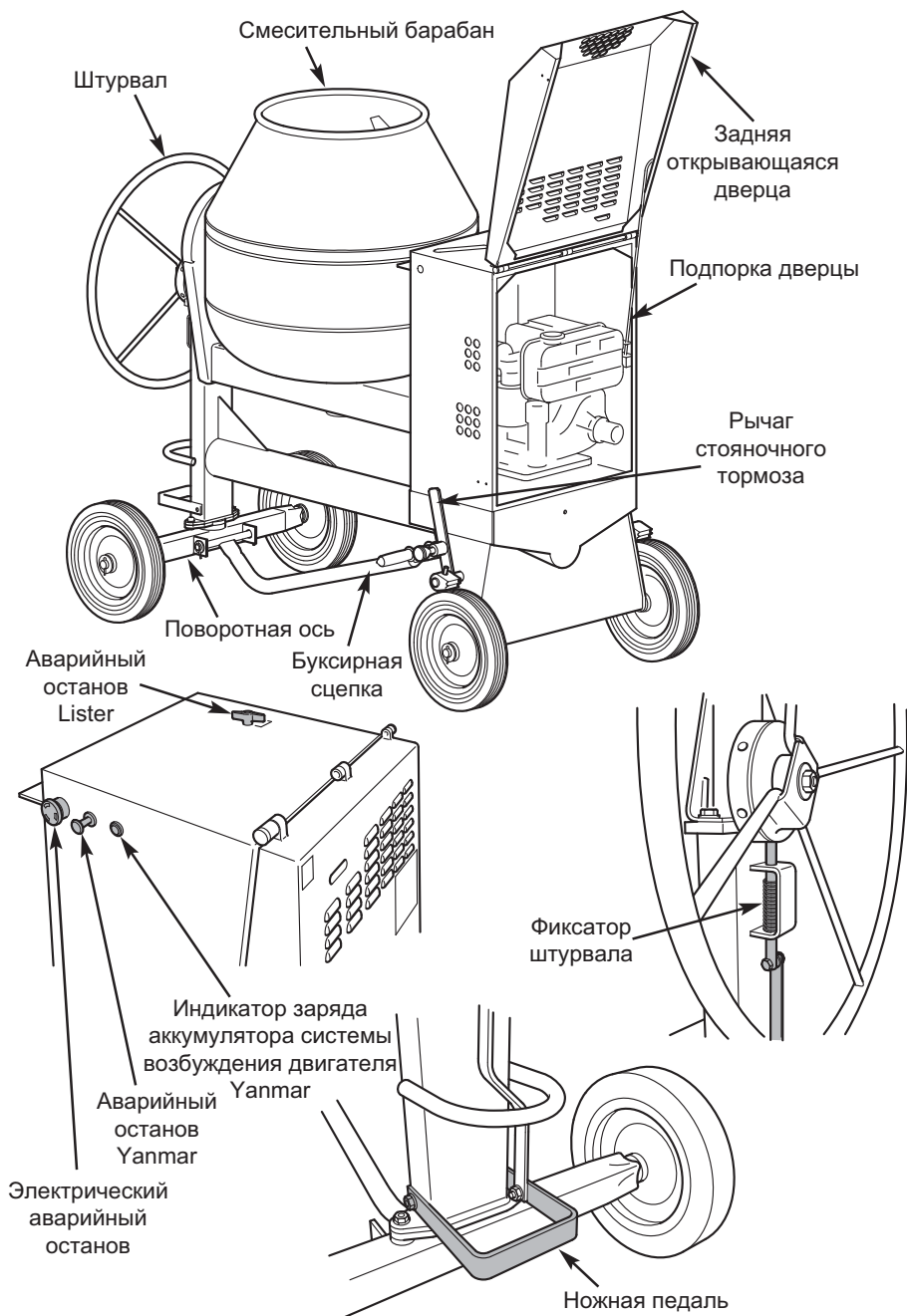
НАКЛОН БАРАБАНА

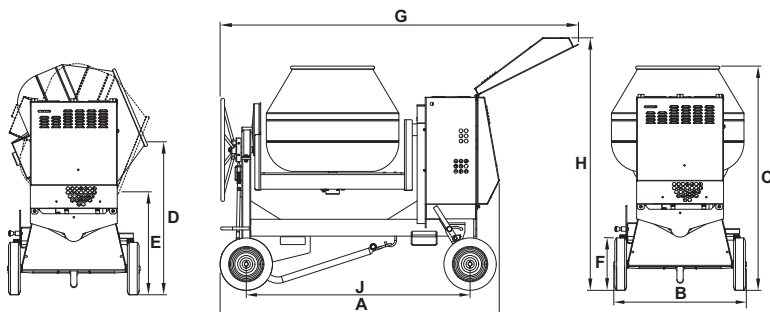
Штурвал обеспечивает удобное безотказное управление барабаном, который можно заблокировать в положении хранения, смешивания и разгрузки.

Барабан блокируется в выбранном положении с помощью фиксатора, который блокирует штурвал. Для изменения положения барабана следует разблокировать штурвал с помощью фиксатора, нажав ножную педаль (расположена над поворотной передней осью); с помощью штурвала повернуть барабан в нужное положение и заблокировать, отпустив ножную педаль и повернув штурвал, пока фиксатор не войдет в паз в диске штурвала.

- **НЕ** вставлять руки между спицами штурвала.
- **ВСЕГДА** держать штурвал обеими руками.







	100XT	150XT	175XT	200XT
A – ГАБАРИТНАЯ ДЛИНА (ММ)	1765	1765	1890	1890
B – ГАБАРИТНАЯ ШИРИНА (ММ)	900	900	900	900
C – ГАБАРИТНАЯ ВЫСОТА (ММ)	1475	1560	1520	1590
D – ВЫСОТА ЗАГРУЗКИ (ММ)	1025	1065	1000	1050
E – ВЫСОТА РАЗГРУЗКИ (ММ)	710	656	650	615
F – ДИАМЕТР КОЛЕС (ММ)	350	350	350	350
G – ГАБАРИТНАЯ ДЛИНА С ОТКРЫТОЙ ДВЕРЦЕЙ (ММ)	2085	2085	2390	2390
H – ГАБАРИТНАЯ ВЫСОТА С ОТКРЫТОЙ ДВЕРЦЕЙ (ММ)	1950	1950	1950	1950
J – КОЛЕСНАЯ БАЗА	1295	1295	1520	1520
ВХОД/ВЫХОД (КУБ. ФУТОВ)	5/3,5	7/5	8/6	10/7
ОБЪЕМ ГОТОВОЙ СМЕСИ (Л)	110	160	180	220
ЕМКОСТЬ БАРАБАНА, НЕ БОЛЕЕ (Л)	250	300	350	400
ОБЪЕМ ЗАГРУЗКИ СУХОЙ СМЕСИ, НЕ БОЛЕЕ (Л)	160	220	250	310
ЧАСТОТА ВРАЩЕНИЯ БАРАБАНА (ОБ/МИН)	19	19	19	19

ЭЛЕКТРИЧЕСКИЕ МОДЕЛИ	100XT	150XT	175XT	200XT	100XT	150XT	175XT	200XT	100XT	150XT	175XT	200XT
	СОБСТВЕННЫЙ ВЕС (КГ)	305.5	314.5	322.5	325	303.5	312.5	320.5	323	305.5	314.5	322.5
НОМИНАЛЬНОЕ НАПРЯЖЕНИЕ (В)	110				240				415			
НОМИНАЛЬНЫЙ ТОК (А)	13.7				6.6				3.6			
НОМИНАЛЬНАЯ МОЩНОСТЬ					1.5							
ЧАСТОТА НАПРЯЖЕНИЯ (Гц)					50							
ЧАСТОТА ВРАЩЕНИЯ ЭЛЕКТРОМОТОРА	1350 ОБ/МИН				1430 ОБ/МИН				1500 ОБ/МИН			
ЗАЩИТА ДВИГАТЕЛЯ	ТЕПЛОВАЯ / ВНН											
ПОТРЕБЛЯЕМАЯ МОЩНОСТЬ (КВТ·Ч)	1.5											
УРОВЕНЬ МОЩНОСТИ ЗВУКА (ДБА)	87дБ(А)											
ДИЗЕЛЬНЫЕ МОДЕЛИ	LISTER				YANMAR							
	100XT	150XT	175XT	200XT	100XT	150XT	175XT	200XT				
СОБСТВЕННЫЙ ВЕС (КГ)	367	376	392.5	395	334.5	343.5	350.5	353.5				
МОДЕЛЬ ДВИГАТЕЛЯ	LT1 (Build 32)		LT1 (Build 10)		L48							
НОМИНАЛЬНАЯ МОЩНОСТЬ (КВТ)	0.75		1.9		2.3							
СПОСОБ ЗАПУСКА	Рукоятка				Электрический / (резервный ручной)							
ЕМКОСТЬ ТОПЛИВНОГО БАКА	5				2.5							
УРОВЕНЬ МОЩНОСТИ ЗВУКА (ДБА)					99							

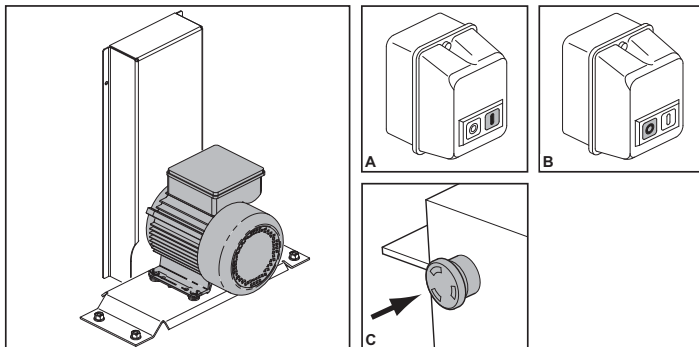
1. ЭЛЕКТРОМОТОР:ВАРИАНТЫ

ОСТАНОВ

- 1.1 Нажать КРАСНУЮ кнопку (или переключить тумблер в положение ВЫКЛ, если он установлен), чтобы остановить смеситель (рис. В).

ПУСК

- 1.2 Поднять заднюю дверцу.
1.3 Вывести кабель питания через заднюю часть смесителя и подключить к электросети.
1.4 Нажать ЗЕЛЕНУЮ кнопку (или переключить тумблер в положение ВКЛ, если он установлен), чтобы запустить смеситель (рис. А).



- Перед перемещением смесителя следует убрать кабель в безопасное место.
- Во время работы смесителя задняя дверца должна быть закрытой.

АВАРИЙНЫЙ ОСТАНОВ

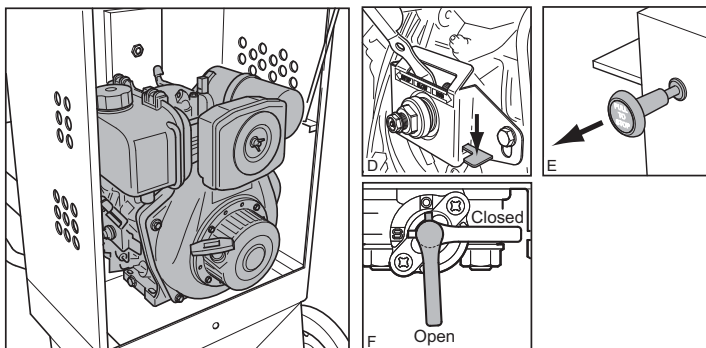
- 1.5 Нажать большую КРАСНУЮ кнопку, расположенную сверху слева на корпусе блока питания (рис. С).

2. YANMAR (ЭЛЕКТРИЧЕСКИЙ ЗАПУСК)

ОСТАНОВ

- 2.1 Нажать красный рычаг (рис. D).
2.2 Поверните против часовой стрелки, пока ключ зажигания оборотов двигателя (рис. J).

- **Примечание.** В случае неполадки системы возбуждения двигателя включается красный индикатор.
- **Следует убедиться, что устройство не используется и что зажигание выключено, иначе аккумулятор может выйти из строя.**



АВАРИЙНЫЙ ОСТАНОВ

- 2.2 Потянуть за ручку на боковой стороне корпуса блока питания (рис. E).

ХОЛОДНЫЙ ЗАПУСК

- 2.3 Поднять заднюю дверцу.

- Открыть топливный кран, если он установлен (рис. F).

- 2.4 В случае запуска из холодного состояния следует залить в двигатель 2 кубических сантиметра моторного масла (марка 10W-30). Для этого следует вынуть резиновую пробку из заливочного отверстия, залить масло масленкой и вставить пробку на место (рис. G).

- 2.5 Убедиться, что кнопка аварийного останова нажата (рис. H).

- 2.6 Перевести рычаг регулятора оборотов двигателя (расположен с левой стороны двигателя) в рабочее положение (рис. I).

- 2.7 Повернуть ключ зажигания по часовой стрелке, пока не запустится двигатель, затем отпустить ключ. Если двигатель не запустился, следует повторить процедуру холодного пуска.

- **Примечание.** Прежде чем повторить попытку запуска двигателя, следует повернуть ключ зажигания в положение ВЫКЛ.
- **ЗАПРЕЩАЕТСЯ эксплуатировать устройство с открытой задней дверцей.**

ГОРЯЧИЙ ПУСК

- 2.8 Выполнить действия начиная с п. 2.5.

3. YANMAR (РУЧНОЙ ЗАПУСК) (на случай неисправности электрического)

ОСТАНОВ

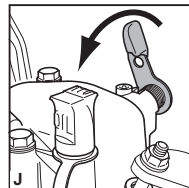
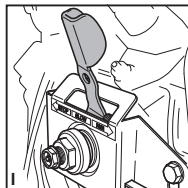
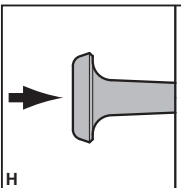
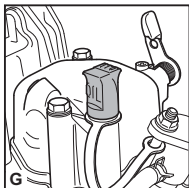
3.9 Нажать красный рычаг (рис. D).

АВАРИЙНЫЙ ОСТАНОВ

3.10 Потянуть за ручку на боковой стороне корпуса блока питания (рис. E).

ХОЛОДНЫЙ ЗАПУСК

3.11 Поднять заднюю дверцу.



Открыть топливный кран, если он установлен (рис. F).

3.12 В случае запуска из холодного состояния следует залить в двигатель 2 кубических сантиметра моторного масла (марка 10w-30). Для этого следует вынуть резиновую пробку из заливочного отверстия, залить масло масленкой и вставить пробку на место (рис. G).

3.13 Убедиться, что кнопка аварийного останова нажата (рис. H).

3.14 Перевести рычаг регулятора оборотов двигателя (расположен с левой стороны двигателя) в рабочее положение (рис. I).

3.15 Вытянуть пусковую рукоятку до места, где чувствуется сильное сопротивление, затем вернуться в исходное положение. Отвести рычаг декомпрессионного механизма (с правой стороны двигателя). Рычаг вернется в исходное положение, после того как вы потянете за пусковую рукоятку во второй раз.

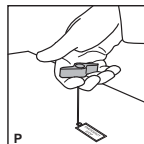
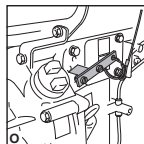
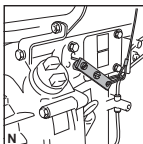
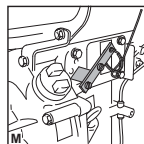
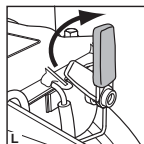
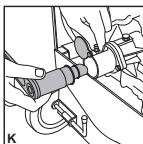
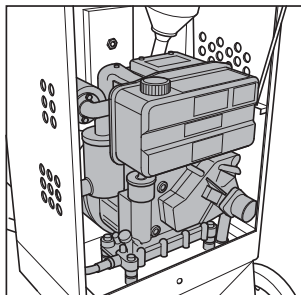
3.16 Обеими руками резко дернуть за пусковую рукоятку. Если двигатель не завелся, повторить действия начиная с п. 3.15.

- ЗАПРЕЩАЕТСЯ эксплуатировать устройство с открытой задней дверцей.

ГОРЯЧИЙ ПУСК

3.17 Выполнить действия начиная с п. 3.14.

4. LISTER PETTER: ЗАПУСК ПУСКОВОЙ РУКОЯТКОЙ



- Соблюдать осторожность при запуске устройства. Следует использовать только пусковую рукоятку, которая не дает отдачи.

- Перед запуском двигателя проверить правильность зацепления рукоятки во втулке (рис. K).

- Ежедневно проверять уровни масла и топлива перед запуском двигателя.

- Перед выполнением работ с блоком питания убедиться, что подпорка задней дверцы правильно зафиксирована.

- Во время работы смесителя задняя дверца должна быть закрытой.

4 ОСТАНОВ

4.1 Открыть заднюю дверцу и перевести рычаг пуска / останова в положение останова (рис. L).

ХОЛОДНЫЙ ЗАПУСК

4.2 Поднять заднюю дверцу.

4.3 Отодвинуть крышку, вставить пусковую рукоятку и вращать до запуска двигателя (рис. K).

4.4 Перевести рычаг пуска / останова в положение пуска (рис. N).

4.5 Поднять рычаг декомпрессионного механизма в вертикальное положение и держать (рис. L).

4.6 Вращать пусковую рукоятку как можно быстрее и перевести рычаг декомпрессионного механизма в рабочее положение, продолжая резко прокручивать пусковую рукоятку до запуска двигателя.

4.7 После того как двигатель запустится, снять рукоятку и вернуть на место хранения, затем перевести рычаг пуска / останова в рабочее положение (рис. O).

ГОРЯЧИЙ ПУСК

4.8 Выполнить указания 2.2–2.6, но запускать двигатель с рычагом пуска / останова в рабочем положении.

АВАРИЙНЫЙ ОСТАНОВ

4.9 Потянуть рукоятку сверху блока питания (рис. P).

Перед выполнением технического обслуживания или ремонта следует остановить двигатель или выключить электромотор и отсоединить устройство от электросети.

По завершении обслуживания следует убедиться, что смеситель работает правильно и что все средства защиты правильно установлены.

ЭЛЕКТРОМОТОРЫ

Все передвижные электрические приборы опасны при неправильном использовании. Это устройство работает только от одного напряжения. Следует убедиться, что напряжение электросети соответствует указанному на электромоторе. Перед тем как вставить вилку в розетку электропитания, следует убедиться, что электромотор выключен.

220–240 В – Обязательно использовать устройство дифференциальной защиты («УДЗ»), (прерыватель замыкания на землю), включенное непосредственно в розетку 220–240 В. Если используется удлинительный кабель, он подключается непосредственно к УДЗ.

110v – если используется переносной трансформатор, его постоянная номинальная мощность должна составлять не менее 6,3 кВт.

- **ЗАПРЕЩАЕТСЯ** подключать трансформатор к электросети через удлинительный кабель.

Положения переключателя обозначены «0» = ВЫКЛ и «I» = ВКЛ согласно международным стандартам.



Если кабель питания поврежден, следует заменить его особым кабелем или сборкой, предлагаемой производителем или его сервисным представителем. (см. монтажную схему на с. 15.)

УДЛИНИТЕЛЬНЫЕ КАБЕЛИ

Если используется удлинительный кабель, его длина должна составлять не более 30 метров. Для электросети 220–240 В используется провод сечением 2,5 мм². Для электросети 110 В используется провод сечением 4 мм², для остальных моделей – провод сечением 6 мм². Кабель прокладывается в обход жидкостей, острых краев и мест, где его может переехать автомобиль. Следует полностью размотать кабель, чтобы он не загорелся от перегрева. Места подключения удлинительного кабеля должны быть сухими и безопасными.

ДВИГАТЕЛИ ВНУТРЕННЕГО СГОРАНИЯ

- **Следует помнить, в каком направлении отводятся выхлопные газы.**

МОТОРНОЕ МАСЛО

Следует регулярно проверять масло. Не рекомендуется допускать низкого уровня топлива, так как донный осадок может привести к повреждению инжектора и насоса. **Гарантия не распространяет на ремонт и очистку трубок и компонентов, загрязненных посторонними веществами в топливе, и на неисправности, вызванные тем, что в устройстве закончилось топливо.** Перед запуском может потребоваться стравить воздух из топливной системы. Вязкость моторного масла выбирается с учетом температуры окружающей среды на основе следующей карты вязкости эксплуатационного класса SAE. Машина заправляется маслом SAE 10W-30 на заводе.

Технические условия на моторное масло

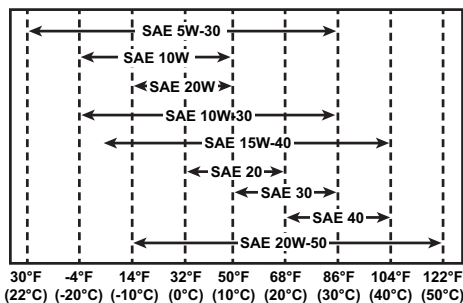
Используется моторное масло с характеристиками не хуже следующих:

Эксплуатационная категория

- Эксплуатационная категория API CD или выше
- Эксплуатационная категория ACEA E-3, E-4 и E-5
- Эксплуатационная категория JASO DH-1

Определения

- Классификация Американского института нефти (API)
- Классификация Европейской ассоциации производителей автомобилей (ACEA)
- Японская организация стандартизации автомобилей (JASO)



БАРАБАН (демонтаж и монтаж)

Смесительный барабан можно быстро снять, вращая его против часовой стрелки в вертикальном положении. Поднять барабан вилочным погрузчиком, вставив вилку под днище барабана. Перед установкой на место следует смазать вал барабана и винтить до самого буртика вала, иначе возможны повреждения. Слишком быстрое ввинчивание барабана может привести к повреждению редуктора.

ОЧИСТКА

Стереть посторонние материалы. **ЗАПРЕЩАЕТСЯ** использовать бензин, терпентин, растворитель для лака и краски, жидкие моющие средства на безводной основе или подобные вещества. Не допускать нахождения каких-либо жидкостей возле двигателя / электромотора. Для очистки внутренней поверхности барабана используется крупный гравий с фракцией 25 мм и чистая вода.

- **ЗАПРЕЩАЕТСЯ** использовать кирпичи и подобные материалы, так как они могут повредить барабан.

ПРИВОДНОЙ РЕМЕНЬ

- **ЗАПРЕЩАЕТСЯ** пытаться настраивать приводной ремень / цепь во время работы двигателя / электромотора.
- **ЗАПРЕЩАЕТСЯ** запускать двигатель / электромотор с провисающим ремнем / цепью.
- **ЗАПРЕЩАЕТСЯ** эксплуатировать устройство со снятыми устройствами защиты.

Приводной ремень постоянно натягивается подпружиненным роликом; нет необходимости следить за натяжением ремня. Подшипники герметизированы на весь срок службы.

РЕДУКТОРНОЕ МАСЛО

Примечание: Запрещается смешивать оригинальное синтетическое редукторное масло с минеральным маслом. В редукторе должен быть 1 литр масла. Следует регулярно проверять уровень. Изначально редуктор заполнен маслом Total Transmission W 75W/140

Аналоги:

Shell :- Tivela SA, Tivela WA, Dentax W

Mobil :- Glygoyle 22

Texaco :- Synlube 90

Castrol :- WM or Alpha SN150

Esso :- GX 75W/140

Caltex :- синтетическая редукторная смазка

СМАЗКА И ЭКСПЛУАТАЦИЯ

См. раздел «График технического обслуживания» и инструкцию по эксплуатации.

Следует помнить, что дизельные двигатели вибрируют сильнее, поэтому следует чаще проверять затяжку всех гаек и болтов.

Для упрощения обкатки все двигатели поставляются со смазочным маслом, которое нужно сменить через 100 часов.
Все последующие замены выполняются, как указано ниже.

Двигатели Lister-Petter 32 и 10

	Ежедневно	Каждые 125 ч	Каждые 250 ч	Каждые 500 ч	Каждые 1000 ч	Каждые 2000 ч
Проверить уровень топлива и смазочного масла.	✓					
Убедиться, что нет утечек масла или топлива.	✓					
Очистить или заменить фильтрующий элемент воздушного фильтра в условиях большой запыленности	✓					
Проверить состояние аккумулятора, если он установлен.		✓				
Очистить или заменить фильтрующий элемент воздушного фильтра в условиях средней запыленности		✓				
Опорожнить поддон картера и залить новое масло правильного типа с требуемыми характеристиками, как указано в инструкции к двигателю.		✓	✓			
Очистить или заменить инжекторы, если выхлоп дымит.			✓			
Сменить патрон топливного фильтра, если используется не идеально чистое топливо.			✓			
Заменить фильтрующий элемент воздушного фильтра				✓		
Осмотреть системы выхлопа и впуска для выявления утечек, повреждений или заторов.				✓		
Сменить патрон топливного фильтра				✓		
Проверить заряд аккумулятора системы возбуждения; см. руководство по ремонту.				✓		
Проверить клапанные зазоры.					✓	
Удалить нагар при ухудшении характеристик двигателя.					✓	
Очистить корпус и ребра головки цилиндра.					✓	
Очистить соединение типа «банджо» в поршневой камере цилиндра трубки подачи масла.					✓	
Опорожнить, промыть и заполнить топливный бак.						✓

Смеситель	Ежедневно	50 часов	250 часов	500 часов	1000 часов
Смазать шарнир вилки		✓			
Смазать механизм опрокидывания (10 нажатий шприца)			✓		
Снять барабан и смазать вал			✓		
Проверить гайки и болты	✓				
Проверить редукторное масло				✓	✓
Осмотреть компоненты для выявления утечки	✓				

Проверки и обслуживание



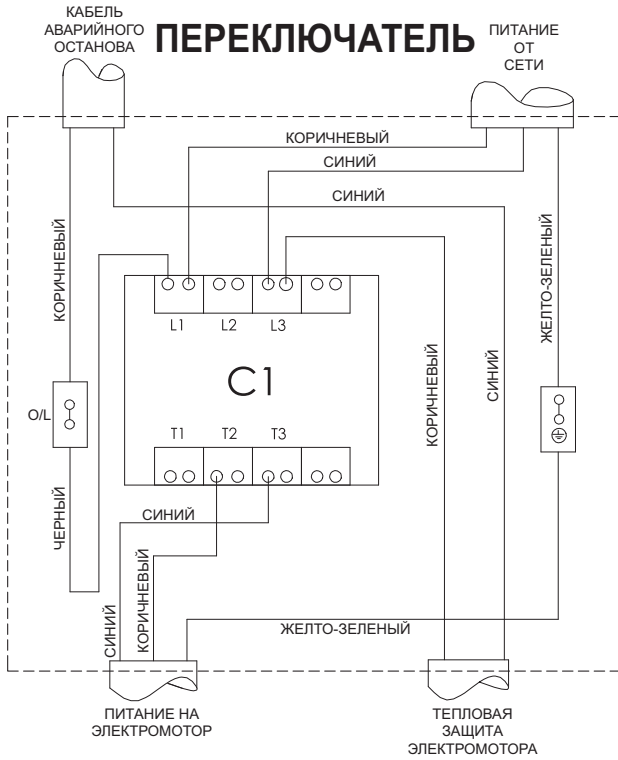
Пункты, помеченные двумя галочками ("✓✓"), выполняются официальным дилером YANMAR или владельцем устройства при наличии требуемых знаний и инструментов.

Звездочкой (*) помечены части, связанные с правилами CARB ULG.

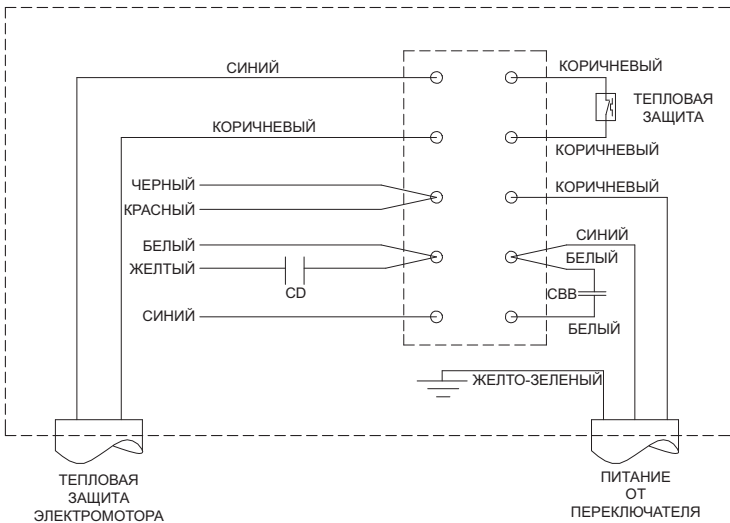
Двигатель Yanmar L48 — Апрель 2004 года

	Каждый месяц или Каждые 50 часов	Каждые 3 месяца или Каждые 200 ч	Каждые 6 месяцев или Каждые 400 часов	Каждый год или Каждые 1000 часов
Проверить уровень топлива и долить. - Перед эксплуатацией				
Опорожнить топливный бак	✓			
* Очистить топливный фильтр		✓		
* Заменить топливный фильтр			✓	
Осмотреть для выявления утечки топлива / масла. - После эксплуатации				
* Форсунка для впрыска топлива; проверить состояние впрыска			✓✓	
* Проверить синхронизацию впрыска топлива			✓✓	
* Проверить насос для впрыска топлива				✓✓
Проверить уровень смазочного масла в поддоне картера и долить.- Перед эксплуатацией				
Заменить смазочное масло.	1-й раз	2-й и после		
Очистить фильтр смазочного масла.	1-й раз		2-й и после	
Проверьте на утечки смазочного масла - После эксплуатации				
Проверьте клапанные зазоры				✓
* Проверьте элемент воздушного фильтра		✓		
* Заменить фильтрующий элемент воздушного фильтра			✓	
Проверьте уровень жидкости батареи и пополнить - Перед эксплуатацией				
Проверьте сигнальные лампы - Когда двигатель запускается				
Регулировка впускного и выпускного клапана зазор			✓✓	

Смеситель	Ежедневно	50 часов	250 часов	500 часов	1000 часов
Смазка иго поворота		✓			
Смазка Чаевые части (10 Операции смазки)			✓		
Удалить барабан и смажьте вал			✓		
Проверьте болты и гайки,	✓				
Проверьте масла в коробке передач				✓	✓
Проверьте компоненты на наличие утечек	✓				



ЭЛЕКТРОМОТОР



Пропорции смешивания

Правильная пропорция смешивания (цемент : песок : щебень) зависит от назначения смеси: для более твердого бетона требуется больше цемента, для более прочного бетона требуется больше щебня. Ниже приводятся пропорции для справки; оптимальные пропорции зависят от качества используемого песка / гравия.

Сначала залить примерно 7 литров воды, используя больше или меньше воды в зависимости от типа смеси. Добавить щебень перед добавлением цемента, чтобы избежать налипания. Загрузить все ингредиенты приготавливаемой смеси в требуемой пропорции.

Приготовление хорошей смеси

Смешивание бетона занимает 2—4 минуты, после того как были загружены все материалы (в том числе вода). Чрезмерное перемешивание может снизить прочность и привести к расщеплению крупного заполнителя.

Следует остерегаться использования низкосортных заполнителей, так как это приведет к проблемам в будущем — оседанию и матовости, которые портят внешний вид укладки бетонной смеси. Также не следует делать раствор слишком жидким, так как это снизит прочность бетона и его способность выдерживать воздействие атмосферных условий.

Уход за смесителем

Нельзя забрасывать материал в смеситель — следует загружать его постепенно, иначе материал накрепко прилипнет к днищу барабана, и выбирать налипший материал можно будет только после останова смесителя.

Следует содержать смеситель в чистоте: остатки материала будут застывать в барабане, и их слой будет утолщаться после каждого использования смесителя.

Запрещается бросать в барабан смесителя кирпичи для его очистки. Оптимальным способом очистки является использование смеси крупного гравия с фракцией 25 мм и чистой воды — большое количество этой смеси позволит сократить время очистки вдвое.

НАЗНАЧЕНИЕ	КОЛИЧЕСТВО		
	ЦЕМЕНТ	ПЕСОК	ЩЕБЕНЬ
ОБЫЧНЫЙ БЕТОН	1	2	4
ФУНДАМЕНТЫ	1	3	6
ГРУБЫЙ МОНОЛИТНЫЙ БЕТОН	1	4	8
ВОДОНЕПРОНИЦАЕМЫЕ ПОЛЫ, ПРИЯМКИ И ПР.	1	1.5	3

Гарантия

Исходному покупателю нового смесителя ALTRAD Belle Premier XT дается гарантия на один год (12 месяцев) со дня исходной покупки. ALTRAD Belle гарантирует отсутствие дефектов конструкции, материалов и изготовления.

Гарантия компании ALTRAD Belle не распространяется на следующее:

1. Повреждения, вызванные неправильной эксплуатацией и падением, или подобные повреждения в результате несоблюдения инструкции по сборке, эксплуатации или технического обслуживания.
2. Модификации, дополнения или ремонтные работы, выполненные не сотрудниками и не официальными представителями компании ALTRAD Belle.
3. Стоимость транспортировки или перевозки из компании ALTRAD Belle или ее официального представительства на ремонт устройства или оценку по гарантийной рекламации.
4. Расходы на материалы и/или заработную плату для восстановления, ремонта или замены деталей, подвергшихся естественному износу.

Гарантия не распространяется на следующее:

- Приводной ремень
- Воздушный фильтр двигателя

Компания ALTRAD Belle и/или ее официальные представители, директора, сотрудники или страховые компании не несут ответственности за косвенные или другие убытки, потери и расходы, вызванные неспособностью использовать станок для каких-либо целей.

Гарантийные рекламации

Все гарантийные рекламации сначала направляются в компанию ALTRAD Belle по телефону, факсу, электронной почте или в письменном виде.

Для гарантийных рекламаций:

ALTRAD Belle Warranty Department, Sheen, Nr.Buxton, Derbyshire, SK17 0EU, England (Англия).

Тел.: +44 (0)1298 84606, Факс: +44 (0)1298 84722 Эл. почта: warranty@belle-group.co.uk