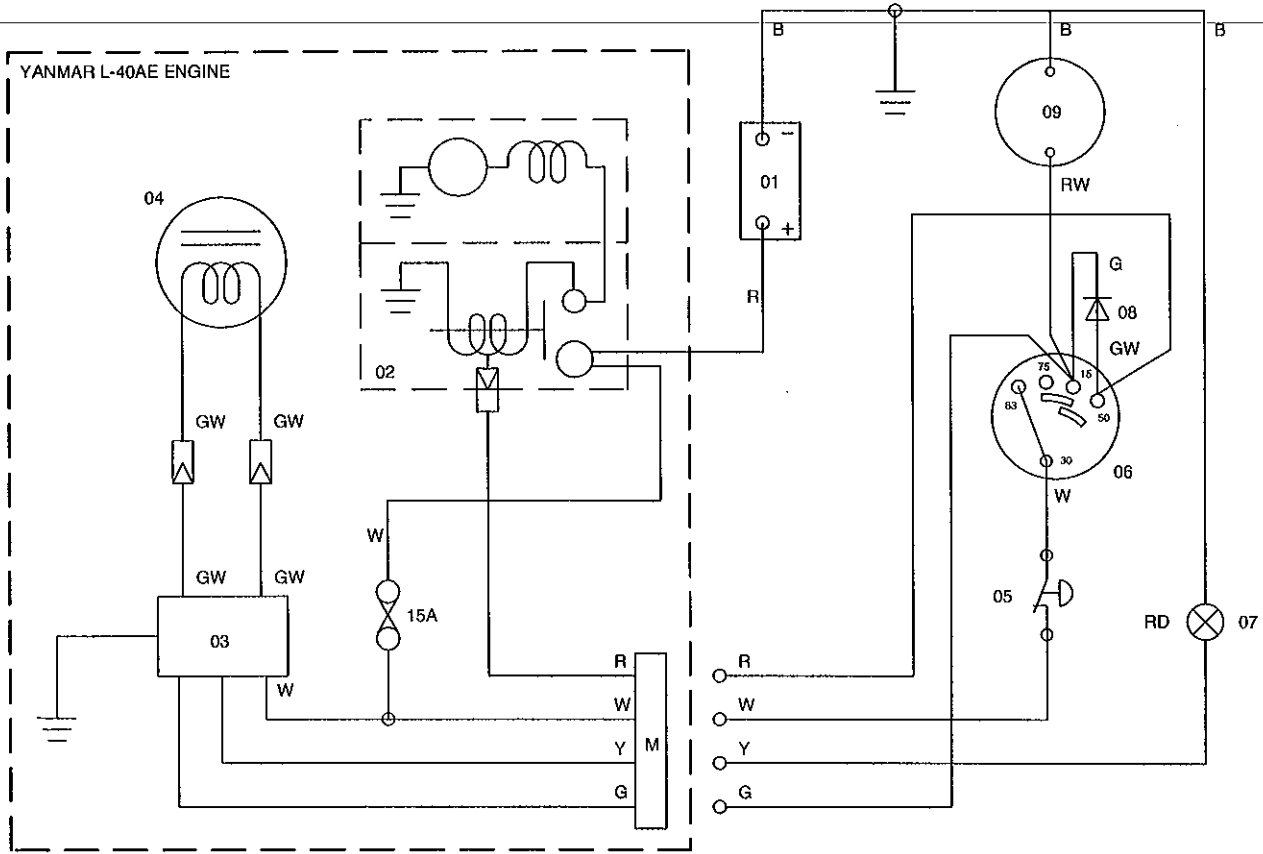


WIRING DIAGRAMS

CIRCUIT DIAGRAM FOR ELECTRIC START YANMAR ENGINES (PREMIER XT-RANGE)

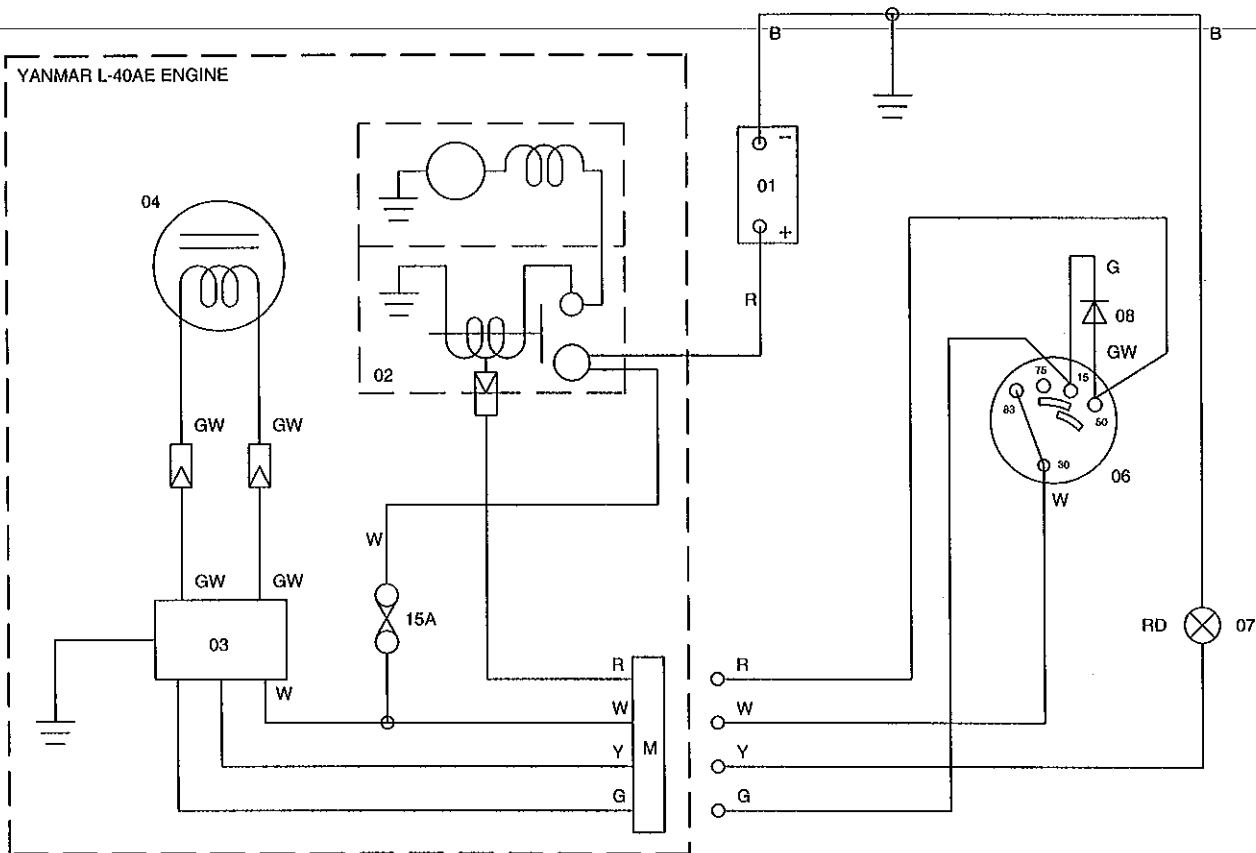


ITEM	DEVICE
01	BATTERY 12V
02	STARTER MOTOR
03	REGULATOR
04	CHARGING GENERATOR
05	EMERGENCY STOP SWITCH
06	IGNITION SWITCH
07	INDICATOR LAMP (RED)
08	DIODE
09	FUEL VALVE

Yanmar Electric Start (→ Oct '01)

WIRING DIAGRAMS

CIRCUIT DIAGRAM FOR ELECTRIC START YANMAR ENGINES (PREMIER XT-RANGE)



ITEM	DEVICE
01	BATTERY 12V
02	STARTER MOTOR
03	REGULATOR
04	CHARGING GENERATOR
05	
06	IGNITION SWITCH
07	INDICATOR LAMP (RED)
08	DIODE
09	

Yanmar Electric Start (I → Oct '01)