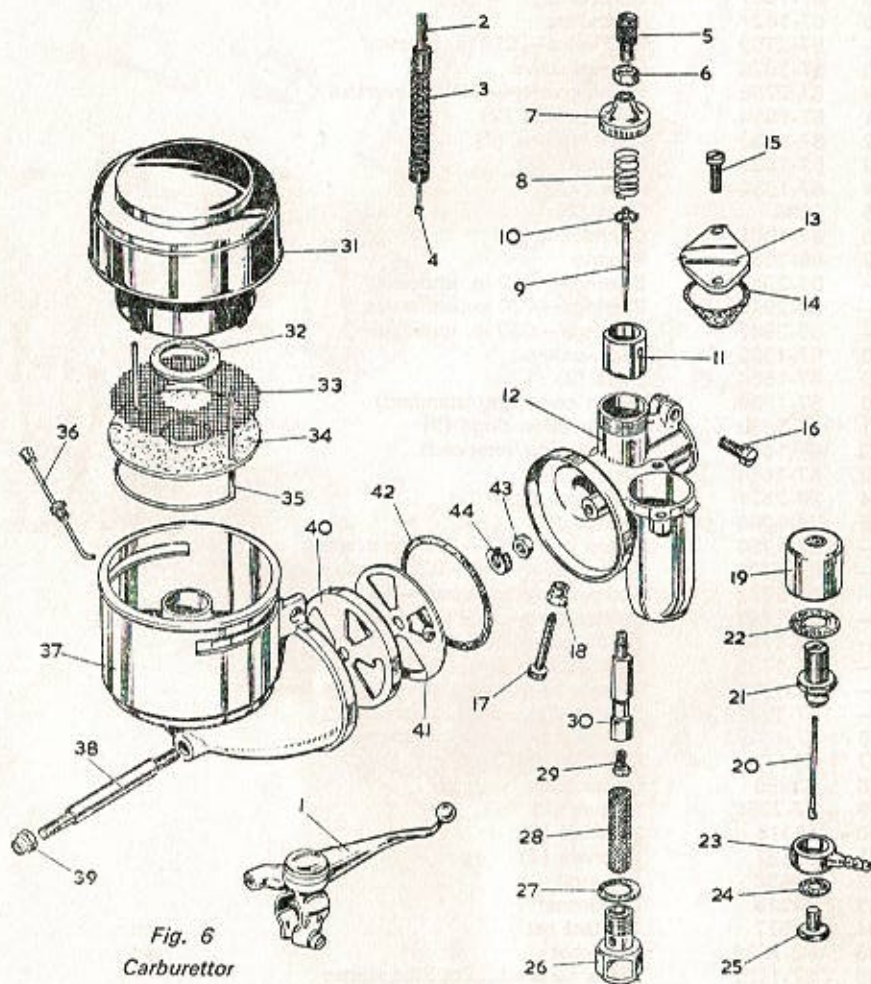


Illus. No.	Part No.	Description
88	86-6566	Locating screw
89	87-2100	Nut
90	35-0037	Washer
94	Quote engine No.	Crankshaft
95	S3396	Ignition cam
96	86-4555	Key
97	86-8807	Thrust washers (2)
—	S0935	H.T. lead—quote length
—	00-3302	Gasket set



CARBURETTOR

(Equipped with oil-wetted gauze air filter)

Illus. No.	Part No.	Description
—	87-1658	Carburettor complete with oil-wetted gauze air filter
1	87-1665	Handlebar lever
2	19-7075	Cable (33½")
3	360/077	Spring sheath
4	308/051	Nipple
5	308/041	Adjuster
6	308/042	Locknut
7	308/040	Mixing-chamber top
8	308/038	Throttle spring
9	308/043	Jet needle
10	308/044	Clip
11	308/054	Throttle valve
12	379/022	Body
13	379/003	Cover
14	379/004	Gasket
15	352/209	Screws (2)
16	11/014	Clamp screw
17	379/015	Slow-running adjuster screw
18	379/016	Locknut
19	308/022	Float
20	308/025	Float needle
21	360/037	Seating
22	360/038	Washer
23	360/036	Banjo
24	360/040	Washer
25	360/039	Bolt
26	360/020	Jet plug
27	38/022	Washer
28	360/051	Filter
29	124/026	Main jet (35 c.c.)
30	335/019	Needle jet
—	384/1	Air cleaner
31	384/009	Filter pack
32	384/015	Washer
33	384/006	Gauze
34	384/005	Felt pad
35	384/012	Gauze extractor
36	348/018	Rod, knob and guide
37	384/001	Filter body
38	384/004	Centre stud
39	244/408	Locknut
40	362/022	Cover
41	383/008	Shutter
42	384/013	Washer
43	295/014	Nut
44	224/044	Washer