



A TEREX BRAND

Parts Manual

Serial Number Range

GS-2032
GS-2632
GS-3232

from SN GS32D-10101

Part No. 1306158GT
Rev: B8
Apr 2023

Technical Publications

Genie has endeavored to deliver the highest degree of accuracy possible. However, continuous improvement of our products is a Genie policy. Therefore, product specifications are subject to change without notice.

Readers are encouraged to notify Genie of errors and send in suggestions for improvement. All communications will be carefully considered for future printings of this and all other manuals.

Contact Us:

Internet: www.genielift.com
e-mail: awp.techpub@terex.com

Find a Manual for this Model


Go to <http://www.genielift.com>

Use the links to locate Operator's, Parts, Maintenance, and Service and Repair Manuals.

Copyright © 2020 by Terex Corporation

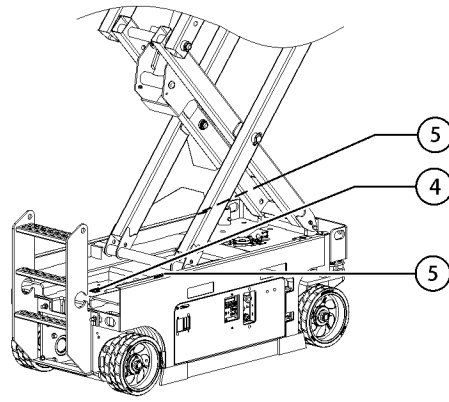
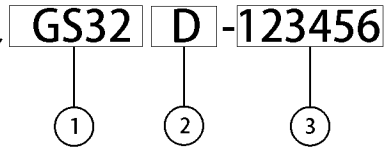
1306158GT Rev B8 Apr 2023
Third Edition, Second Printing

Genie is a registered trademark of Terex South Dakota in the USA and many other countries. "GS" is a trademark of Terex South Dakota, Inc.

 Printed on recycled paper

Genie
A TEREX BRAND

Model:
Serial number: GS32D-123456
Year of manufacture: 2020
Electrical schematic number:
Machine unladen weight:
Rated work load (including occupants):
Maximum number of platform occupants:
Maximum allowable inclination of the chassis:
Outrigger retracted:
Outrigger deployed:



- 1 Model
- 2 Facility code
- 3 Sequence number

- 4 Serial label (located on chassis)
- 5 Serial number (stamped on chassis)

How to Order Parts

Please be prepared with the following information when ordering replacement parts for your Terex or Genie product.

- Machine model number
- Machine serial number
- Part number
- Part description and quantity
- Purchase order number
- "Ship to" address
- Desired method of shipment
- Name and telephone number of the authorized distributor in your area

Use the Service Parts Fax Order Form on the next page and fax your order to our Parts Department.

If you don't know the name of your authorized distributor, or if your area is not currently serviced by an authorized distributor, please call Terex or Genie Industries.

Machine Information

Model

Serial Number

Date of Purchase

Authorized Genie Distributor

Phone Number

North America

Telephone (425)881-1800

Toll Free (800)536-1800 in US and Canada

Fax (425)556-8659

Toll Free fax (888)274-6192

Email AWP.PartsSalesPO@terex.com

<http://genielift.com/en>

EMEAR (Europe, Middle East, Africa and Russia)

Telephone (31)(165)519 313

Fax (31)(165)511 148

<http://genielift.co.uk>

Asia Pacific (Genie Singapore)

Telephone +65 6692 7777

Fax +65 6261 8893

<http://genielift.com.sg/>

Australia

Telephone (61)(7)3456 4444

Fax (61)(7)3456 4466

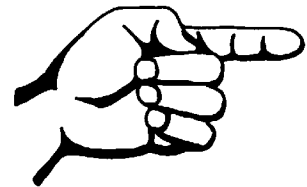
<http://genielift.com.au>

South America

Telephone (55)(11)4082 5600

Fax (55)(11)4082 5630

Please refer to section 001 for the Recommended Spare



This page intentionally left blank.



Service Parts Fax Order Form

Fax to: (425) 556-8659 or Toll Free: 888-274-6192
International: +1-425-556-8659

Please fill out completely

Date _____ Account Number _____
 Your Name _____ Your Fax Number _____
 _____ Your Phone Number _____
 Bill To _____ Ship To _____

 Purchase Order Number _____ Ship Via _____

Model(s) _____ Serial No.(s) _____

Optional Equipment _____

Part Number	Description	Quantity	Price

All back-ordered parts will be shipped when available via the same ship method as the original order unless Noted below:

- Ship complete order only - No back orders
- Ship all available parts and contact customer on disposition of back-ordered parts
- Other (please specify)



Description	Page
001 Parts Stocking List	10
001.1 Parts Stocking List	10
100 Decals	12
101.1 Word Decals, GS-2032, Battery Side, ANSI & Australia	12
102.1 Word Decals, GS-2032, Ground Control Side, ANSI and Australia	14
103.1 Word Decals, GS-2632, Battery Side, ANSI & Australia	18
104.1 Word Decals, GS-2632, Ground Control Side, ANSI and Australia	20
105.1 Word Decals, GS-3232, Battery Side, ANSI & Australia	24
106.1 Word Decals, GS-3232, Ground Control Side, ANSI and Australia	26
107.1 Word Decals, Platform, ANSI and Australia, All models	30
108.1 Symbol Decals, GS-2032, Battery Side, ANSI & CE	34
109.1 Symbol Decals, GS-2032, Ground Control Side, ANSI and CE	36
110.1 Symbol Decals, GS-2632, Battery Side, ANSI & CE	40
111.1 Symbol Decals, GS-2632, Ground Control Side, ANSI and CE	42
112.1 Symbol Decals, GS-3232, Battery Side, ANSI & CE	46
113.1 Symbol Decals, GS-3232, Ground Control Side, ANSI and CE	48
114.1 Symbol Decals, Platform, ANSI and CE, All models	52
200 Drive Chassis Components.....	54
201.1 Steer Linkage and Wheels (E-drive)	54
201.2 Steer Linkage and Wheels (H-drive)	58
201.3 Drivetrain Motor Service Kits	62
201.4 Drivetrain Gearbox Service Kits	64
202.1 Non-steer Axle Installation (E-drive)	66
202.2 Non-steer Axle Installation and Counweight (H-drive)	70
203.1 Level Sensor Installation	74
204.1 Pothole Protection Assembly	76
205.1 Battery Pack Module (E-drive)	80
205.2 Battery Pack Module (H-drive)	82
205.3 Battery Pack Module (Li Option)	84
206.1 Battery Charger	86
207.1 Power Unit Module (E-drive)	88
207.2 Power Unit Module (H-drive)	90
208.1 Ground Controls (E-drive)	94
208.2 Ground Controls (H-drive)	98
209.1 Electrical Wiring - GS-2032/2632 (E-drive)	102
209.2 Electrical Wiring - GS-2032/2632 (H-drive)	106
209.3 Electrical Wiring - GS-2032/2632 (Li Option)	110
210.1 Electrical Wiring - GS-3232	112
211.1 Power Cables (E-drive)	116

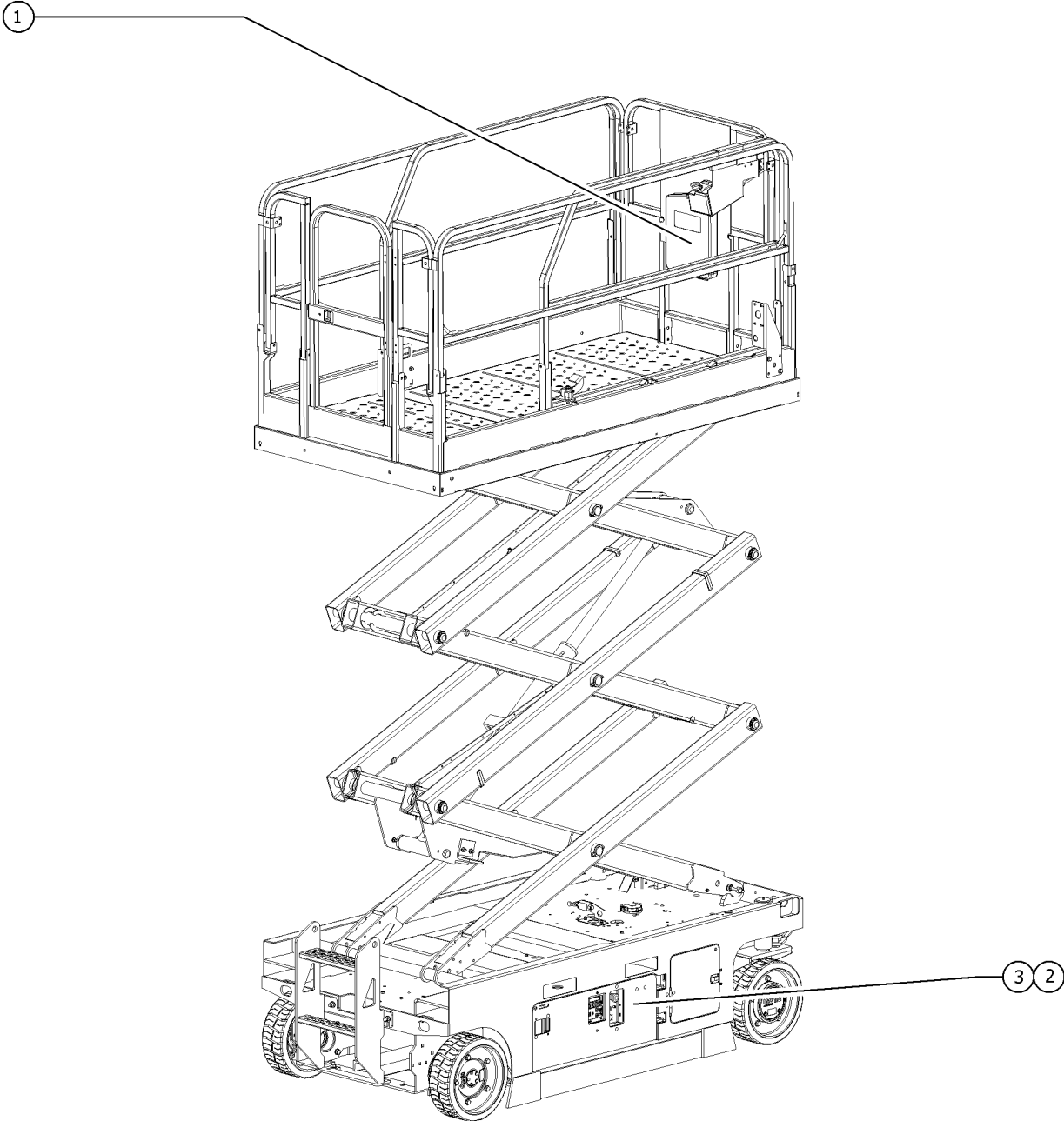
Table of Contents

Description	Page
211.2 Power Cables (H-drive)	118
211.3 Power Cables (Li Option)	120
212.1 Outrigger Components, GS-3232	122
300 Scissor Components	126
301.1 Scissor Assembly Installation	126
302.1 Scissor Assembly, GS-2032	128
303.1 Scissor Assembly, GS-2632	132
304.1 Scissor Assembly, GS-3232	136
400 Platform Components	142
401.1 Platform Components	142
402.1 Power to Platform	148
403.1 Platform Controls (GS-2032, GS-2632)	152
404.1 Platform Controls (GS-3232)	154
405.1 Joystick Controller	156
500 Hydraulic Components	158
501.1 Hydraulic Components	158
502.1 Power Unit	160
503.1 Lift Cylinder Assembly, All Models	164
504.1 Hydraulic Hoses and Fittings	166
505.1 Hydraulic Hoses and Fittings, Outriggers, GS-3232	168
506.1 Outrigger Cylinders, Front and Rear, GS-3232	170
507.1 Outrigger Function Manifold, GS-3232	172
508.1 Hydraulic Components (H-drive)	174
509.1 Function Manifold (H-drive)	176
510.1 Brake Release Hand Pump Manifold (H-drive)	180
511.1 Hydraulic Power Unit (H-drive)	182
512.1 Hydraulic Hoses and Fittings (H-drive)	184
600 Accessories	188
601.1 RCBO	188
602.1 Charger Isolation	190
603.1 PCON Guard	192
604.1 Bumper Assembly Tray	194
605.1 Lift Guard Contact Alarm, View-1	196
606.1 Lift Guard Contact Alarm, View-2	198
607.1 Tool Tray Option	200
608.1 China Telematics Option, TZ200, SLAB	202
608.2 Telematics Option	204
609.1 Access Manager Option	206

Description	Page
700 Platform Overload	208
701.1 Platform Overload	208
Part Number Index	210



001.1 Parts Stocking List

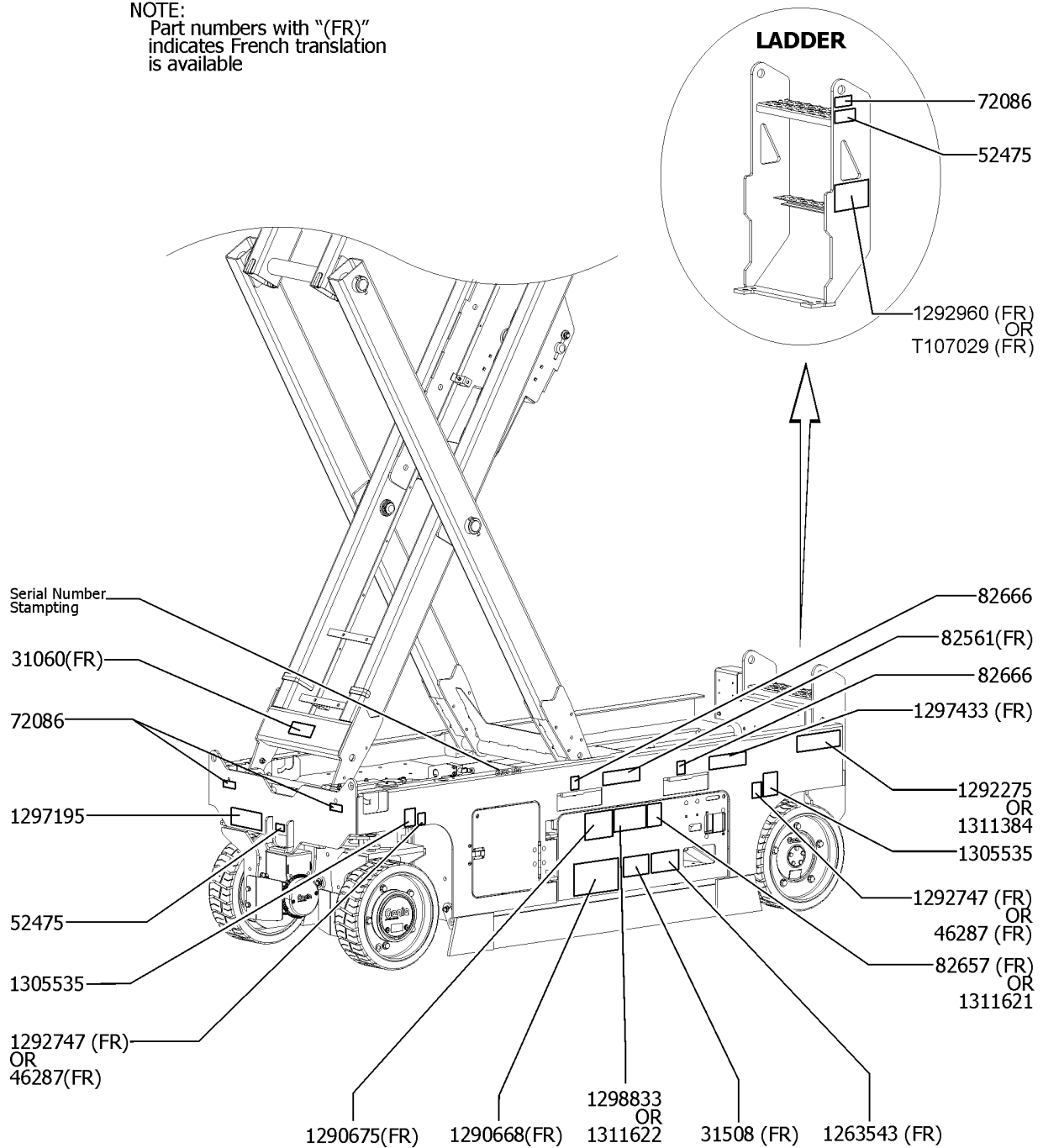


Item	Part No.	Description	Qty.
--	66399GT	GREASE,DIELECTRIC 4 OZ**	
--		Ref. CHEVRON ULTRA-DUTY GREASE (LITHIUM), OR EQUIVALENT, EP NLGI 1	
		(source locally)	
--	1258567GT	PAINT, AEROSOL, TRAFFIC BLACK	
		12-ounce spray paint	
--	1268GT	PAINT,AEROSOL,GENIE GRAY***	
		12-ounce spray paint	
--	1484GT	PAINT,AEROSOL,BRIGHT BLUE***	
		12-ounce spray paint	
--	1257733GT	PAINT, WET, TRAFFIC BLACK(1 GL)**	
		1-gallon	
--	32150GT	PAINT, WET, GENIE BLUE (1 GL)**	
		1-gallon	
--	32151GT	PAINT, WET, GENIE GRAY (1GL)**	
		1-gallon	
--	49613GT	PLUG AND CAP KIT-SERVICE,ORFS*	
1	27581GT	MANUAL, EMI SAFETY	
1B	1298933GT	MANUAL, SAIA MANUAL OF RESPONSIBILITIES, MEWP	
2	1300318GT	FILTER, ELEMENT, SPIN ON	
3	78546GT	BREATHER CAP, HYD. TANK, 1/4 NPT	



Battery Side

NOTE:
Part numbers with "(FR)"
indicates French translation
is available

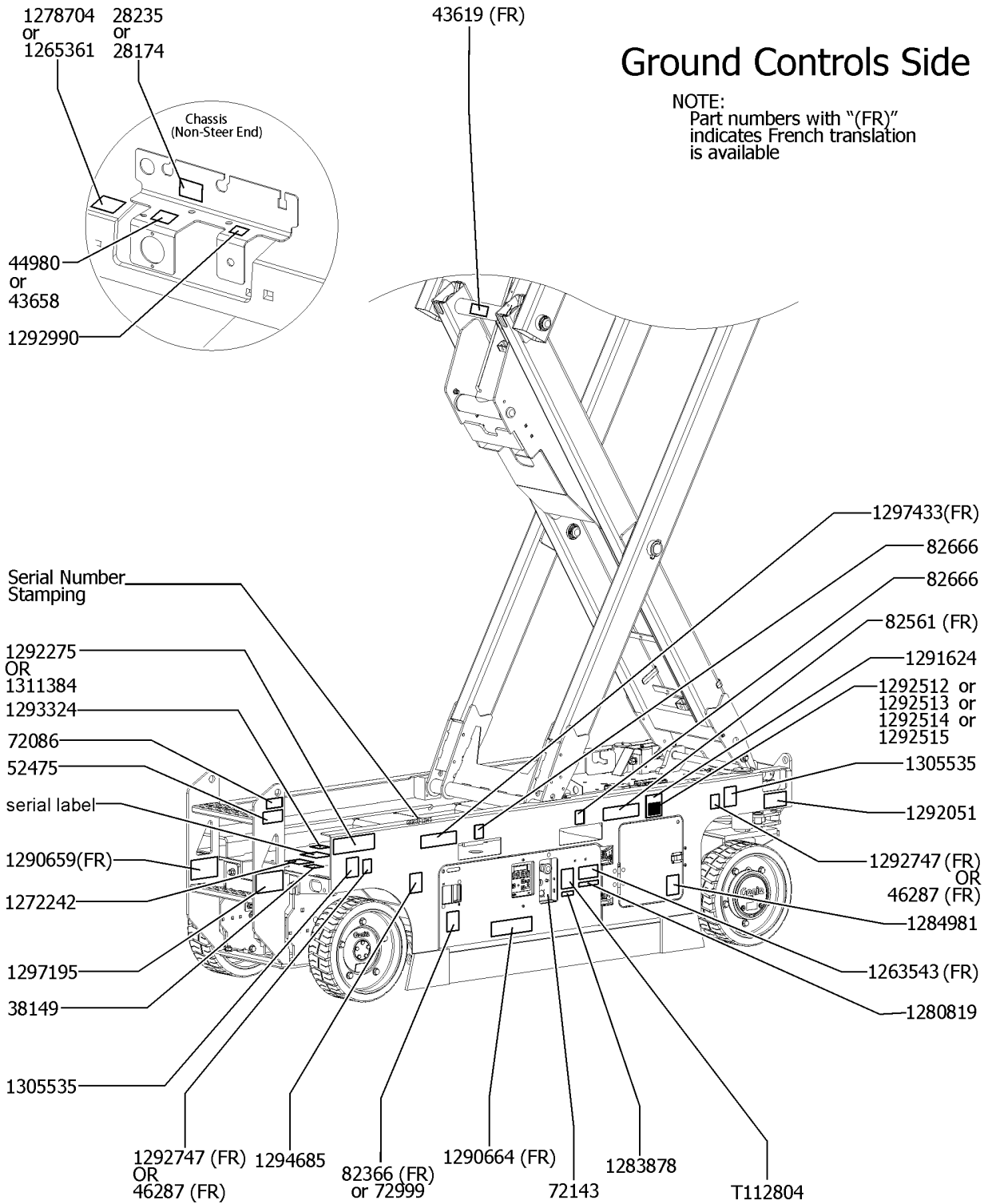


101.1 Word Decals, GS-2032, Battery Side, ANSI & Australia

Item	Part No.	Description	Qty.
1	31060GT	DECAL,DANGER DO NOT ALTER SWTC	1
2	31508GT	DECAL,DANGER,ELECT HAZARD,PLUG	1
3	46287GT	DECAL,LABEL-TIRE SPECS	2
		(H-drive only)	
4	52475GT	DECAL LABEL TRANSPORT TIE DOWN*	2
5	72086GT	DECAL,LABEL,LIFTING EYE	3
6	82561GT	DECAL,DANGER-USE SAFETY ARM	1
7	82657GT	DECAL,INSTRUCT,BATTERY CONNECT	1
8	82666GT	DECAL,LABEL,FORKLIFT POCKET	2
9	1263543GT	DECAL,COMPARTMENT ACCESS	1
10	1290668GT	DECAL,INSTRUCTIONS-CHARGER OP, GS-1330m	1
11	1290675GT	DECAL,DANGER,BATTERY SAFETY***,GS-1330m	1
12	1292275GT	DECAL, ELECTRIC DRIVE, E-DRIVE	1
		(E-drive only)	
13	1292747GT	DECAL,LABEL-TIRE SPECS	2
		(E-drive only)	
14	1292960GT	DECAL DANGER BRAKE REL SAFETY, GS-1330m	1
		(E-drive only)	
15	1297195GT	DECAL, LABEL-TRANSPORT DIAGRAM	1
16	1297433GT	DECAL, DANGER, ELECTRICAL HAZARD, SLAB	1
17	1298833GT	DECAL, DANGER, TIP-OVER, BATTERY	1
18	1305535GT	DECAL, LABEL, WHEEL LOAD, E-DRIVE, GS-2032	2
19	T107029GT	DECAL DANGER BRAKE REL SAFETY	1
		(H-drive only)	
20	1311384GT	DECAL,COSMETIC,LITHIUM-ION	1
		(Li Option)	
21	1311621GT	DECAL,INSTRUCT,BATTERY CONNECT,LITHIUM	1
		(Li Option)	
22	1311622GT	DECAL,DANGER,TIP-OVER,LI BATTERY	1
		(Li Option)	



102.1 Word Decals, GS-2032, Ground Control Side, ANSI and Australia

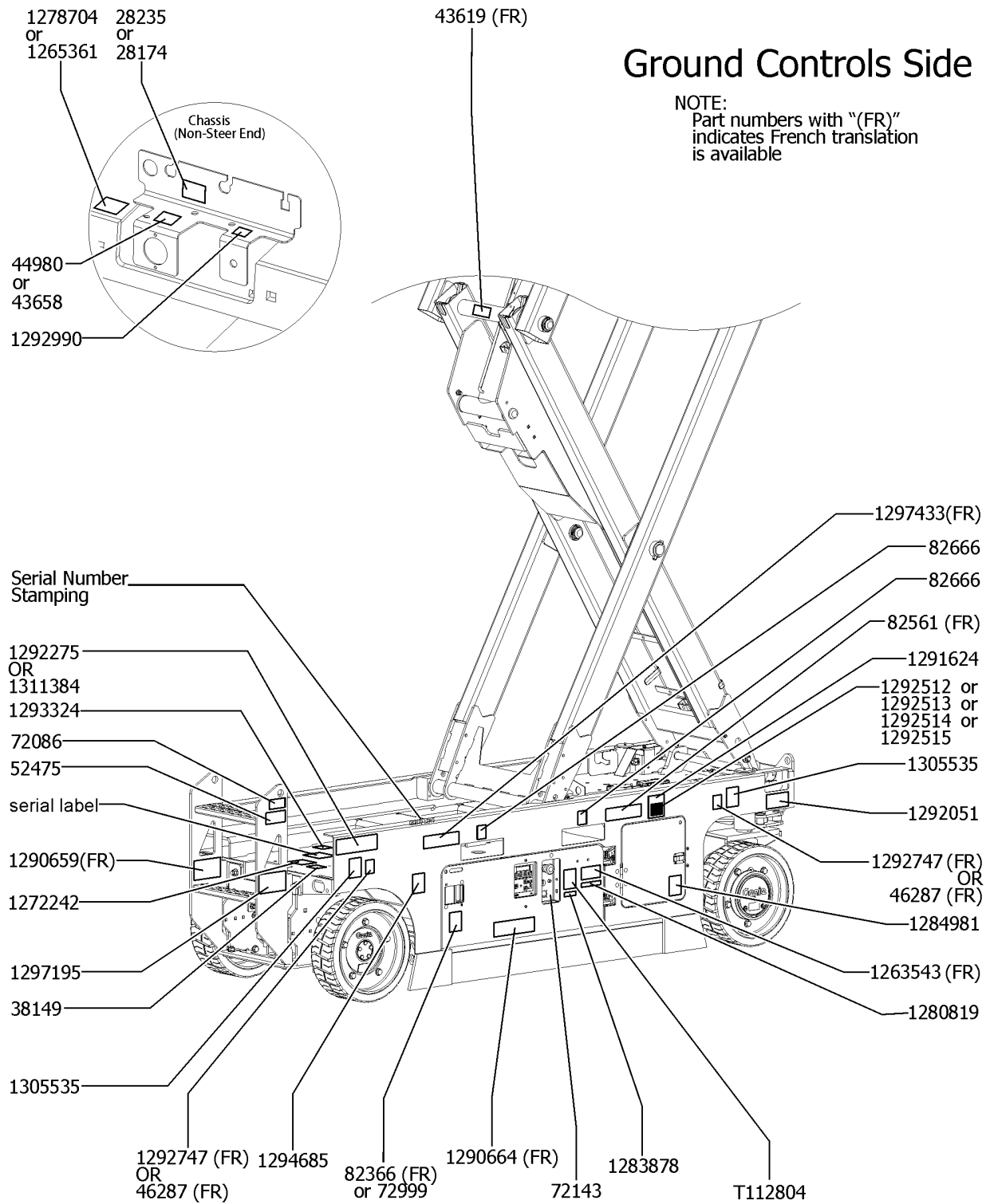


102.1 Word Decals, GS-2032, Ground Control Side, ANSI and Australia

Item	Part No.	Description	Qty.
1	28174GT	DECAL, POWER TO PLATFORM 230V** (power to platform option, 230V)	1
2	28235GT	DECAL, POWER TO PLATFORM 115V** (power to platform option, 115V)	1
3	38149GT	DECAL LABEL PATENTS	1
4	43619GT	DECAL LABEL SAFETY ARM	1
5	43658GT	DECAL, LABEL, PWR TO CHARGER 230 EU (power to charger option, 230V)	1
6	44980GT	DECAL, LABEL, PWR TO CHARGER 115 UK (power to charger option, 115V)	1
7	46287GT	DECAL,LABEL-TIRE SPECS (H-drive only)	2
8	52475GT	DECAL LABEL TRANSPORT TIE DOWN*	1
9	72143GT	DECAL, EMERGENCY STOP, GR	1
10	72086GT	DECAL,LABEL,LIFTING EYE	1
11	72999GT	DECAL,LABEL,PETRO CANADA*** (Hydraulic oil option, Canada)	1
12	82366GT	DECAL,CHEVRON RANDO HD (Hydraulic oil option)	1
13	82561GT	DECAL,DANGER-USE SAFETY ARM	1
14	82666GT	DECAL,LABEL,FORKLIFT POCKET	2
15	1263543GT	DECAL,COMPARTMENT ACCESS	1
16	1265361GT	DECAL, BATTERY CHARGER INDICAT (AUS)	1
17	1272242GT	DECAL,MACHINE REGISTRATION/OWNER TRANSFER	1
18	1278704GT	DECAL,CHARGE STATUS IND (ANSI/CSA)	1
19	1280819GT	DECAL,WARNING,CANCER AND REPRODUCTIVE HARM, PROP 65	1
20	1283878GT	DECAL, TECHPRO LINK	1
21	1284981GT	DECAL,ACCUMULATOR EXPLOSION HAZARD,WORD	1
22	1290659GT	DECAL,DANGER,ELECT HAZARD,PLUG, GS-1330m	1
23	1290664GT	DECAL COSM,GENIE LIFT CONNECT,LEXAN COVER	1
24	1291624GT	DECAL COSM,GENIE LIFT CONNECT,LEXAN COVER	1
25	1292051GT	DECAL,EMERGENCY LOWERING, GS-1330m	1
26	1292275GT	DECAL, ELECTRIC DRIVE, E-DRIVE (E-drive only)	1
27	1292512GT	DECAL COSM,GENIE LIFT CONNECT,ESN,SKU4-1	1
28	1292513GT	DECAL COSM,GENIE LIFT CONNECT,ESN,SKU4-2	1



102.1 Word Decals, GS-2032, Ground Control Side, ANSI and Australia



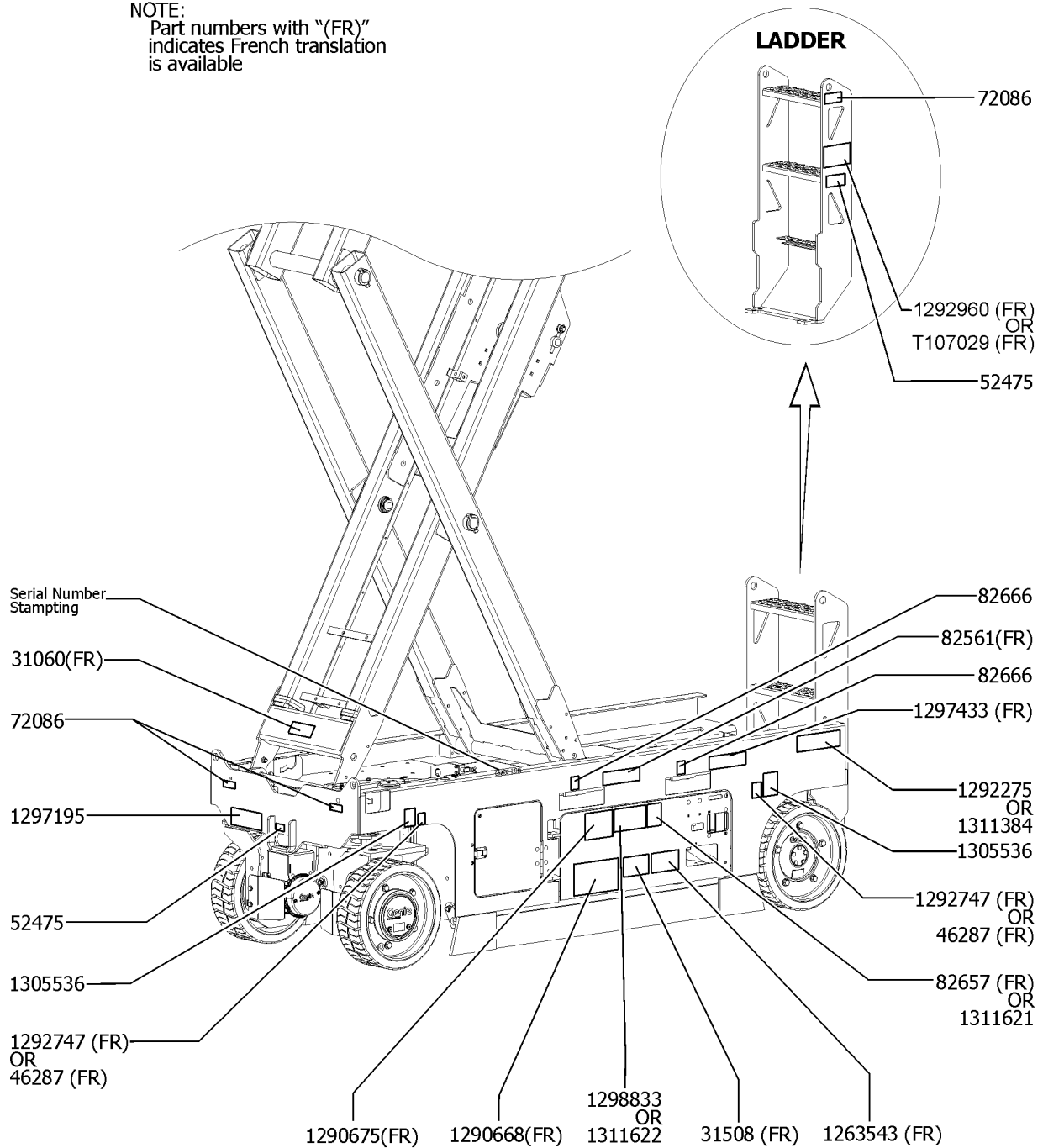
102.1 Word Decals, GS-2032, Ground Control Side, ANSI and Australia

Item	Part No.	Description	Qty.
29	1292514GT	DECAL COSM,GENIE LIFT CONNECT,ESN,SKU4-3	1
30	1292515GT	DECAL COSM,GENIE LIFT CONNECT,ESN,SKU4-4	1
31	1292747GT	DECAL,LABEL-TIRE SPECS (E-drive only)	2
32	1292990GT	DECAL,RELEASE BRAKE (E-drive only)	1
33	1293324GT	DECAL, ICES-2/CAN-2 COMPLIANCE	1
34	1294685GT	DECAL,ANNUAL INSP***, MINI	1
35	1297195GT	DECAL, LABEL-TRANSPORT DIAGRAM	1
36	1297433GT	DECAL, DANGER, ELECTRICAL HAZARD, SLAB	1
37	1305535GT	DECAL, LABEL, WHEEL LOAD, E-DRIVE, GS-2032	2
38	T112804GT	DECAL,GCON PANEL,GS	1
39	1311384GT	DECAL,COSMETIC,LITHIUM-ION (Li Option)	1



Battery Side

NOTE:
Part numbers with "(FR)"
indicates French translation
is available

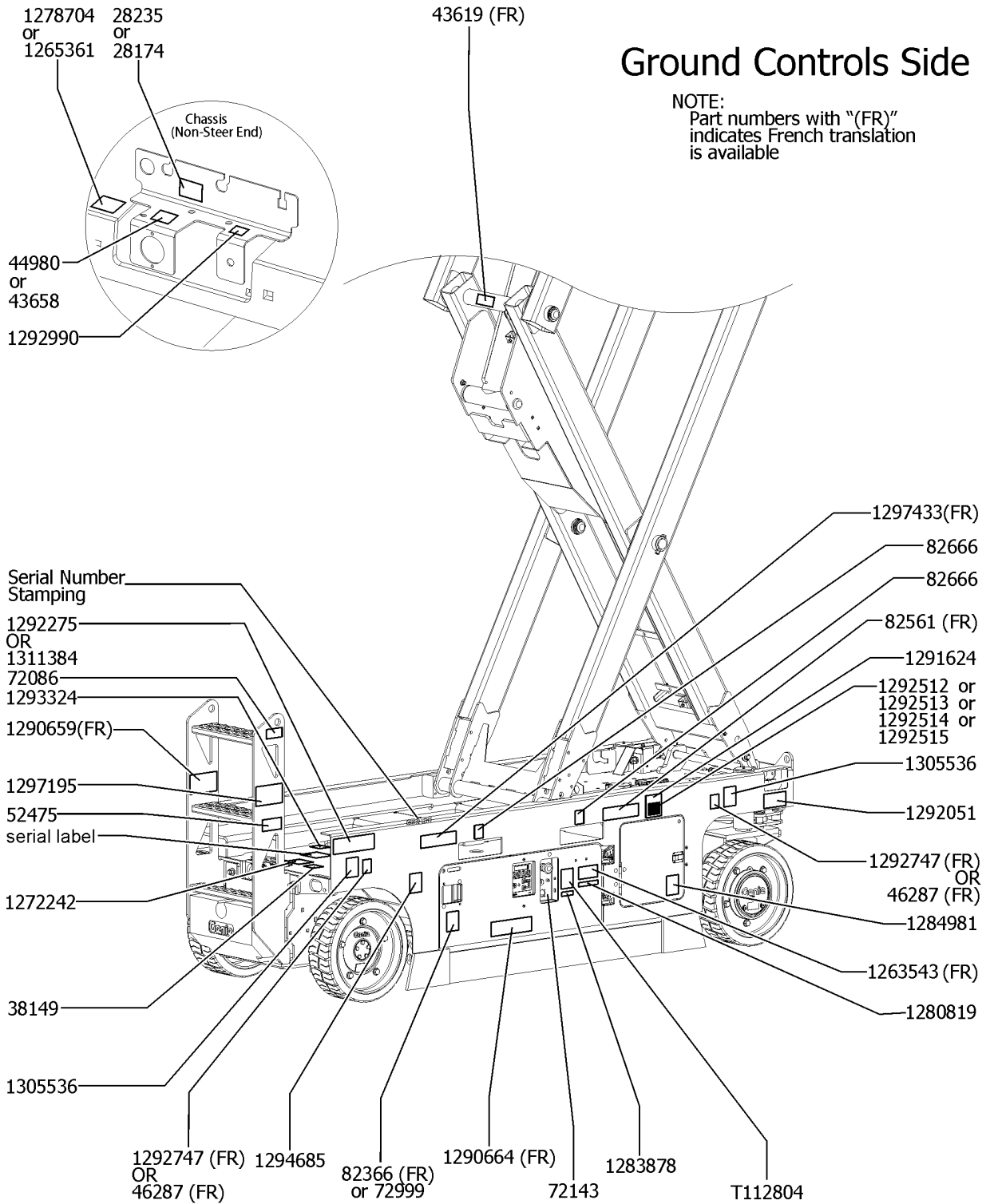


103.1 Word Decals, GS-2632, Battery Side, ANSI & Australia

Item	Part No.	Description	Qty.
1	31060GT	DECAL,DANGER DO NOT ALTER SWTC	1
2	31508GT	DECAL,DANGER,ELECT HAZARD,PLUG	1
3	46287GT	DECAL,LABEL-TIRE SPECS	2
		(H-drive only)	
4	52475GT	DECAL LABEL TRANSPORT TIE DOWN*	2
5	72086GT	DECAL,LABEL,LIFTING EYE	3
6	82561GT	DECAL,DANGER-USE SAFETY ARM	1
7	82657GT	DECAL,INSTRUCT,BATTERY CONNECT	1
8	82666GT	DECAL,LABEL,FORKLIFT POCKET	2
9	1263543GT	DECAL,COMPARTMENT ACCESS	1
10	1290668GT	DECAL,INSTRUCTIONS-CHARGER OP, GS-1330m	1
11	1290675GT	DECAL,DANGER,BATTERY SAFETY***,GS-1330m	1
12	1292275GT	DECAL, ELECTRIC DRIVE, E-DRIVE	1
		(E-drive only)	
13	1292747GT	DECAL,LABEL-TIRE SPECS	2
		(E-drive only)	
14	1292960GT	DECAL DANGER BRAKE REL SAFETY, GS-1330m	1
		(E-drive only)	
15	1297195GT	DECAL, LABEL-TRANSPORT DIAGRAM	1
16	1297433GT	DECAL, DANGER, ELECTRICAL HAZARD, SLAB	1
17	1298833GT	DECAL, DANGER, TIP-OVER, BATTERY	1
18	1305536GT	DECAL, LABEL, WHEEL LOAD, E-DRIVE, GS-2632	2
19	T107029GT	DECAL DANGER BRAKE REL SAFETY	1
		(H-drive only)	
20	1311384GT	DECAL,COSMETIC,LITHIUM-ION	1
		(Li Option)	
21	1311621GT	DECAL,INSTRUCT,BATTERY CONNECT,LITHIUM	1
		(Li Option)	
22	1311622GT	DECAL,DANGER,TIP-OVER,LI BATTERY	1
		(Li Option)	



104.1 Word Decals, GS-2632, Ground Control Side, ANSI and Australia

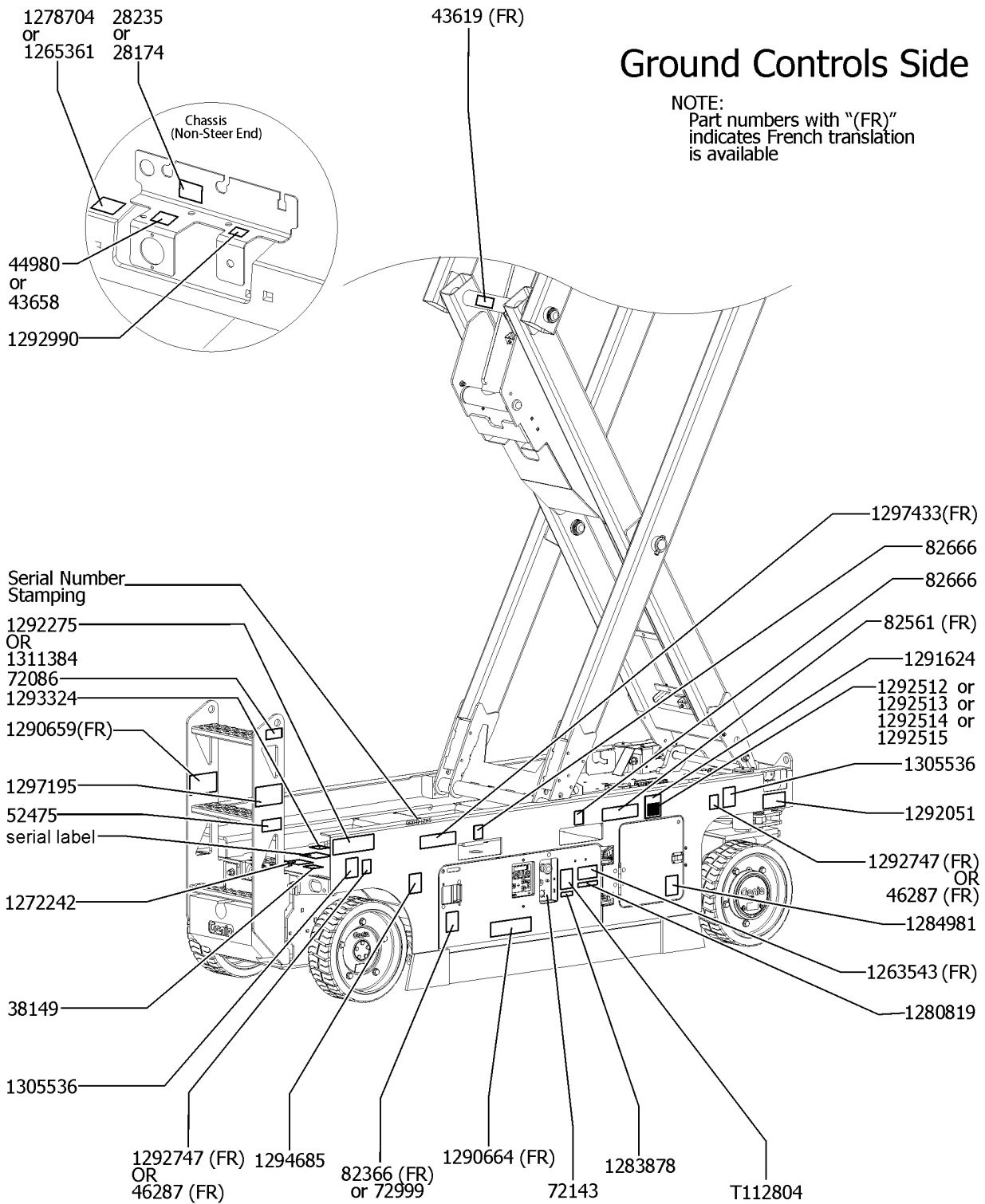


104.1 Word Decals, GS-2632, Ground Control Side, ANSI and Australia

Item	Part No.	Description	Qty.
1	28174GT	DECAL, POWER TO PLATFORM 230V** (power to platform option, 230V)	1
2	28235GT	DECAL, POWER TO PLATFORM 115V** (power to platform option, 115V)	1
3	38149GT	DECAL LABEL PATENTS	1
4	43619GT	DECAL LABEL SAFETY ARM	1
5	43658GT	DECAL, LABEL, PWR TO CHARGER 230 EU (power to charger option, 230V)	1
6	44980GT	DECAL, LABEL, PWR TO CHARGER 115 UK (power to charger option, 115V)	1
7	46287GT	DECAL,LABEL-TIRE SPECS (H-drive only)	2
8	52475GT	DECAL LABEL TRANSPORT TIE DOWN*	1
9	72143GT	DECAL, EMERGENCY STOP, GR	1
10	72086GT	DECAL,LABEL,LIFTING EYE	1
11	72999GT	DECAL,LABEL,PETRO CANADA*** (Hydraulic oil option, Canada)	1
12	82366GT	DECAL,CHEVRON RANDO HD (Hydraulic oil option)	1
13	82561GT	DECAL,DANGER-USE SAFETY ARM	1
14	82666GT	DECAL,LABEL,FORKLIFT POCKET	2
15	1263543GT	DECAL,COMPARTMENT ACCESS	1
16	1265361GT	DECAL, BATTERY CHARGER INDICAT	1
17	1272242GT	DECAL,MACHINE REGISTRATION/OWNER TRANSFER	1
18	1278704GT	DECAL,CHARGE STATUS IND	1
19	1280819GT	DECAL,WARNING,CANCER AND REPRODUCTIVE HARM, PROP 65	1
20	1283878GT	DECAL, TECHPRO LINK	1
21	1284981GT	DECAL,ACCUMULATOR EXPLOSION HAZARD,WORD	1
22	1290659GT	DECAL,DANGER,ELECT HAZARD,PLUG, GS-1330m	1
23	1290664GT	DECAL COSM,GENIE LIFT CONNECT,LEXAN COVER	1
24	1291624GT	DECAL COSM,GENIE LIFT CONNECT,LEXAN COVER	1
25	1292051GT	DECAL,EMERGENCY LOWERING, GS-1330m	1
26	1292275GT	DECAL, ELECTRIC DRIVE, E-DRIVE (E-drive only)	1
27	1292512GT	DECAL COSM,GENIE LIFT CONNECT,ESN,SKU4-1	1
28	1292513GT	DECAL COSM,GENIE LIFT CONNECT,ESN,SKU4-2	1



104.1 Word Decals, GS-2632, Ground Control Side, ANSI and Australia



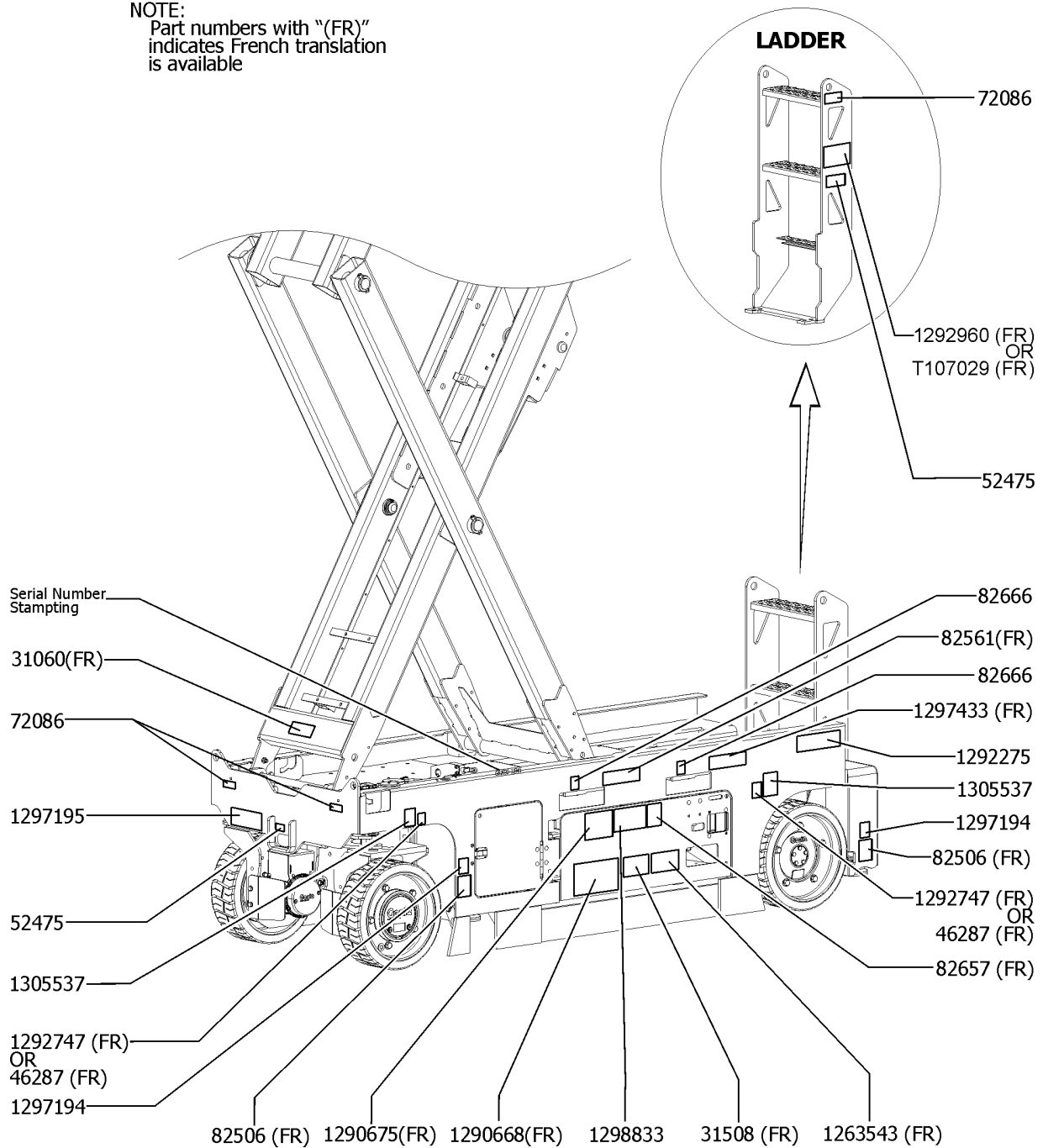
104.1 Word Decals, GS-2632, Ground Control Side, ANSI and Australia

Item	Part No.	Description	Qty.
29	1292514GT	DECAL COSM,GENIE LIFT CONNECT,ESN,SKU4-3	1
30	1292515GT	DECAL COSM,GENIE LIFT CONNECT,ESN,SKU4-4	1
31	1292747GT	DECAL,LABEL-TIRE SPECS (E-drive only)	2
32	1292990GT	DECAL,RELEASE BRAKE (E-drive only)	1
33	1293324GT	DECAL, ICES-2/CAN-2 COMPLIANCE	1
34	1294685GT	DECAL,ANNUAL INSP***, MINI	1
35	1297195GT	DECAL, LABEL-TRANSPORT DIAGRAM	1
36	1297433GT	DECAL, DANGER, ELECTRICAL HAZARD, SLAB	1
37	1305536GT	DECAL, LABEL, WHEEL LOAD, E-DRIVE, GS-2632	2
38	T112804GT	DECAL,GCON PANEL,GS	1
39	1311384GT	DECAL,COSMETIC,LITHIUM-ION (Li Option)	1



Battery Side

NOTE:
Part numbers with "(FR)"
indicates French translation
is available

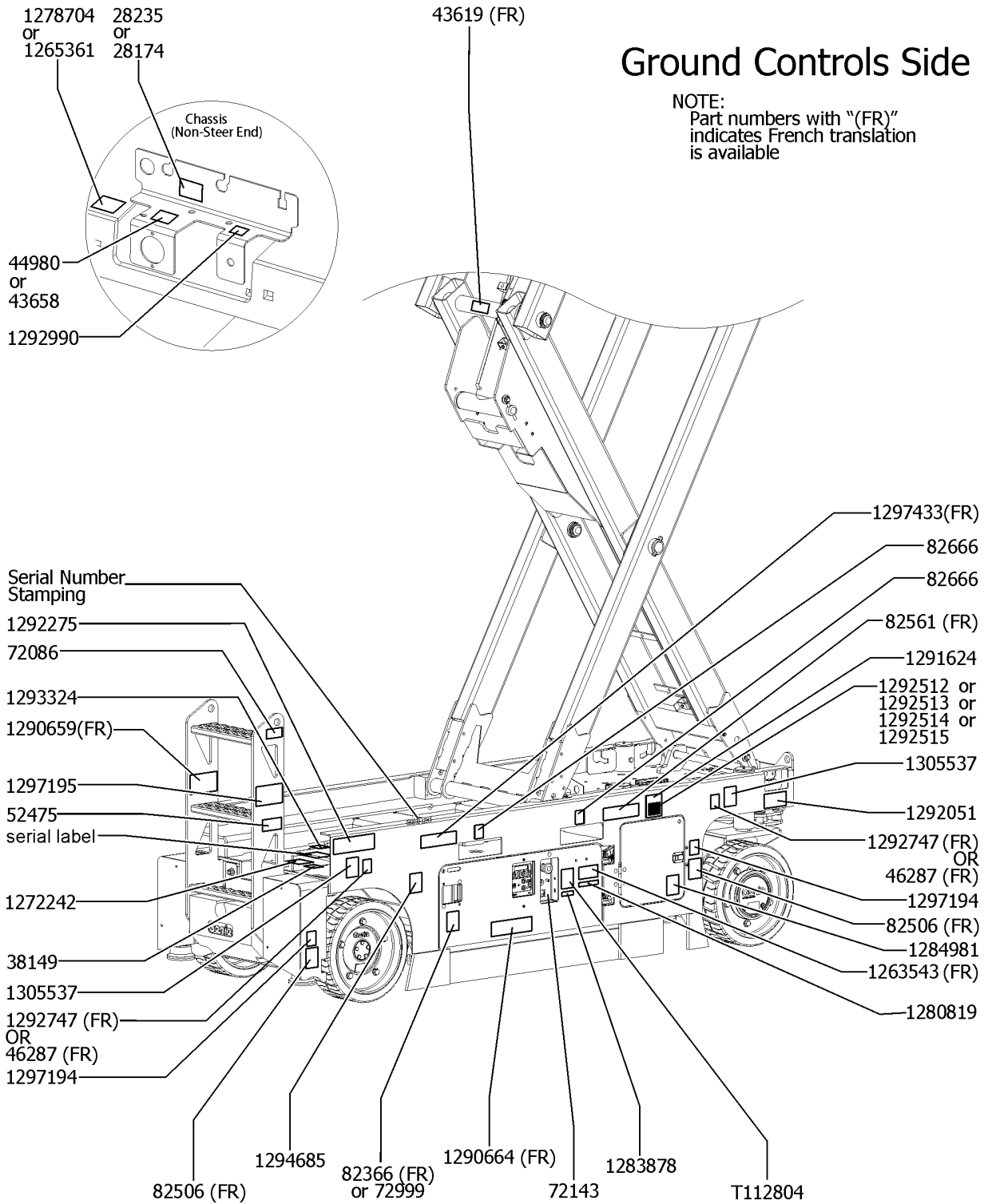


105.1 Word Decals, GS-3232, Battery Side, ANSI & Australia

Item	Part No.	Description	Qty.
1	31060GT	DECAL,DANGER DO NOT ALTER SWTC	1
2	31508GT	DECAL,DANGER,ELECT HAZARD,PLUG	1
3	46287GT	DECAL,LABEL-TIRE SPECS	2
		(H-drive only)	
4	52475GT	DECAL LABEL TRANSPORT TIE DOWN*	2
5	72086GT	DECAL,LABEL,LIFTING EYE	3
6	82506GT	DECAL,WARNING-FOOT CRUSHING	2
7	82561GT	DECAL,DANGER-USE SAFETY ARM	1
8	82657GT	DECAL,INSTRUCT,BATTERY CONNECT	1
9	82666GT	DECAL,LABEL,FORKLIFT POCKET	2
10	1263543GT	DECAL,COMPARTMENT ACCESS	1
11	1290668GT	DECAL,INSTRUCTIONS-CHARGER OP, GS-1330m	1
12	1290675GT	DECAL,DANGER,BATTERY SAFETY***,GS-1330m	1
13	1292275GT	DECAL, ELECTRIC DRIVE, E-DRIVE	1
		(E-drive only)	
14	1292747GT	DECAL,LABEL-TIRE SPECS	2
		(E-drive only)	
15	1292960GT	DECAL DANGER BRAKE REL SAFETY, GS-1330m	1
		(E-drive only)	
16	1297194GT	DECAL, LABEL, OUTRIGGER LOAD, GS-3232	2
17	1297195GT	DECAL, LABEL-TRANSPORT DIAGRAM	1
18	1297433GT	DECAL, DANGER, ELECTRICAL HAZARD, SLAB	1
19	1298833GT	DECAL, DANGER, TIP-OVER, BATTERY	1
20	1305537GT	DECAL, LABEL, WHEEL LOAD, E-DRIVE, GS-3232	2
21	T107029GT	DECAL DANGER BRAKE REL SAFETY	1
		(H-drive only)	



106.1 Word Decals, GS-3232, Ground Control Side, ANSI and Australia

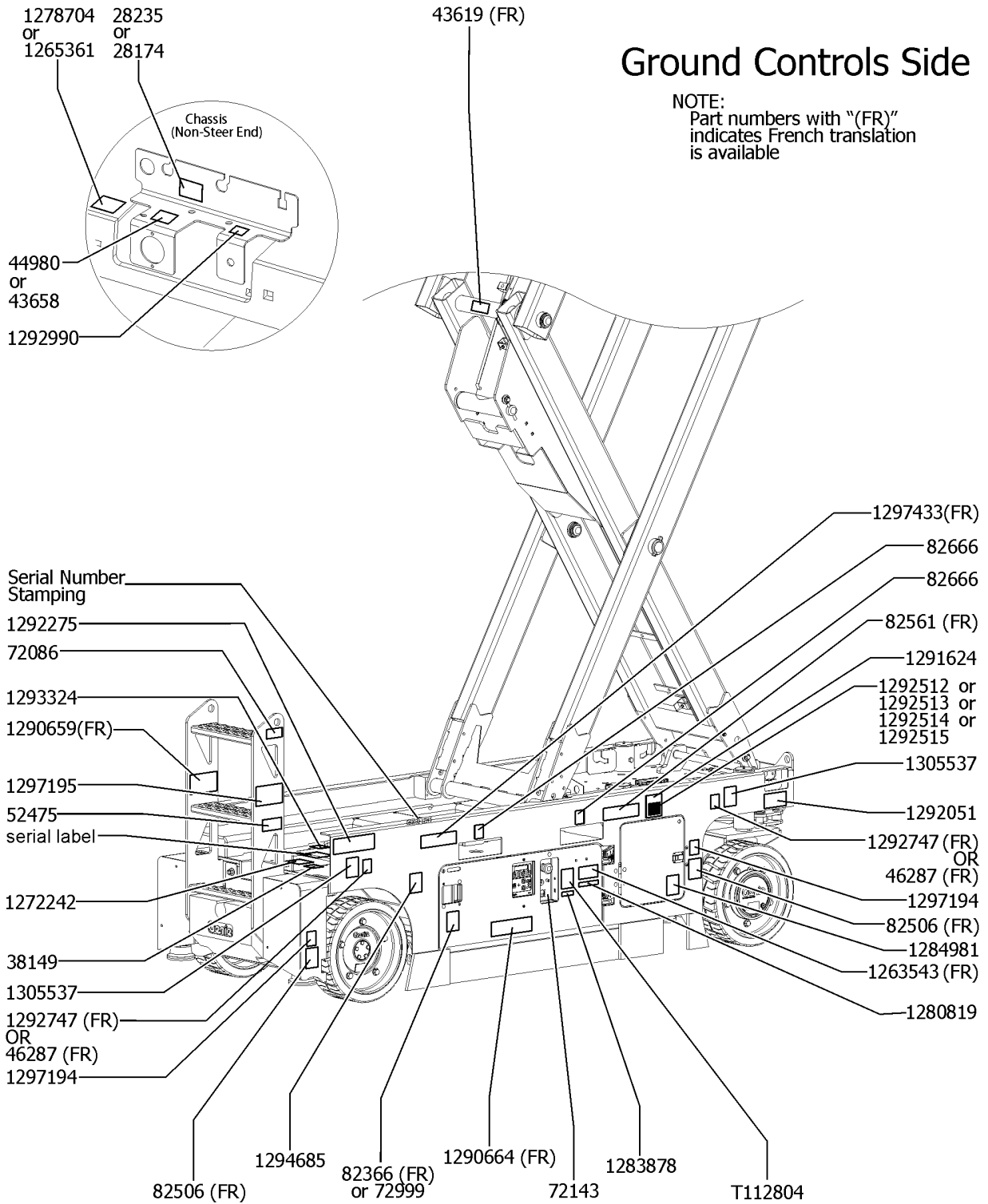


106.1 Word Decals, GS-3232, Ground Control Side, ANSI and Australia

Item	Part No.	Description	Qty.
1	28174GT	DECAL, POWER TO PLATFORM 230V** (power to platform option, 230V)	1
2	28235GT	DECAL, POWER TO PLATFORM 115V** (power to platform option, 115V)	1
3	38149GT	DECAL LABEL PATENTS	1
4	43619GT	DECAL LABEL SAFETY ARM	1
5	43658GT	DECAL, LABEL, PWR TO CHARGER 230 EU (power to charger option, 230V)	1
6	44980GT	DECAL, LABEL, PWR TO CHARGER 115 UK (power to charger option, 115V)	1
7	46287GT	DECAL,LABEL-TIRE SPECS (H-drive only)	2
8	52475GT	DECAL LABEL TRANSPORT TIE DOWN*	1
9	72143GT	DECAL, EMERGENCY STOP, GR	1
10	72086GT	DECAL,LABEL,LIFTING EYE	1
11	72999GT	DECAL,LABEL,PETRO CANADA*** (Hydraulic oil option, Canada)	1
12	82366GT	DECAL,CHEVRON RANDO HD (Hydraulic oil option)	1
13	82506GT	DECAL,WARNING-FOOT CRUSHING	2
14	82561GT	DECAL,DANGER-USE SAFETY ARM	1
15	82666GT	DECAL,LABEL,FORKLIFT POCKET	2
16	1263543GT	DECAL,COMPARTMENT ACCESS	1
17	1265361GT	DECAL, BATTERY CHARGER INDICAT	1
18	1272242GT	DECAL,MACHINE REGISTRATION/OWNER TRANSFER	1
19	1278704GT	DECAL,CHARGE STATUS IND	1
20	1280819GT	DECAL,WARNING,CANCER AND REPRODUCTIVE HARM, PROP 65	1
21	1283878GT	DECAL, TECHPRO LINK	1
22	1284981GT	DECAL,ACCUMULATOR EXPLOSION HAZARD,WORD	1
23	1290659GT	DECAL,DANGER,ELECT HAZARD,PLUG, GS-1330m	1
24	1290664GT	DECAL COSM,GENIE LIFT CONNECT,LEXAN COVER	1
25	1291624GT	DECAL COSM,GENIE LIFT CONNECT,LEXAN COVER	1
26	1292051GT	DECAL,EMERGENCY LOWERING, GS-1330m	1
27	1292275GT	DECAL, ELECTRIC DRIVE, E-DRIVE (E-drive only)	1
28	1292512GT	DECAL COSM,GENIE LIFT CONNECT,ESN,SKU4-1	1



106.1 Word Decals, GS-3232, Ground Control Side, ANSI and Australia



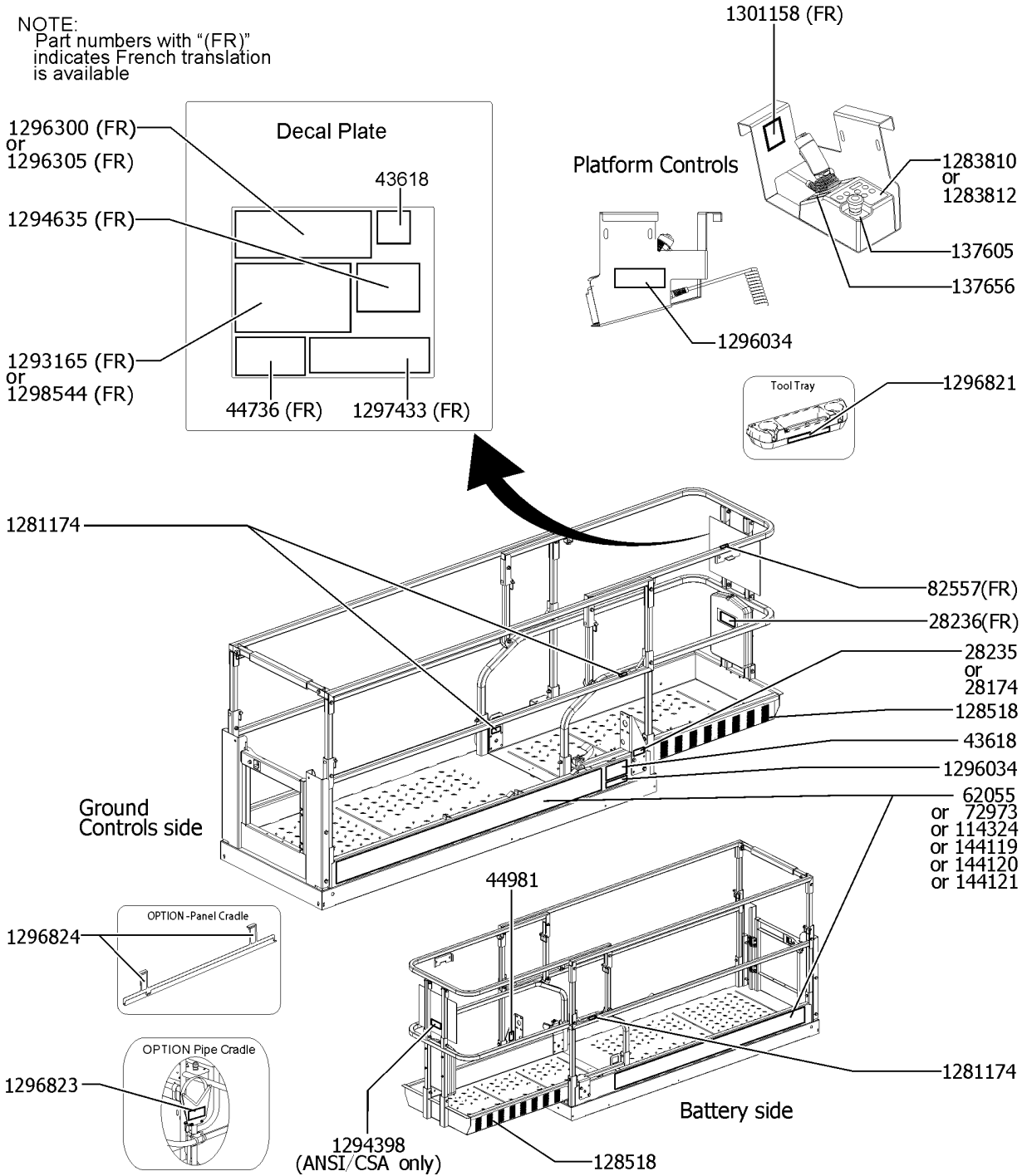
106.1 Word Decals, GS-3232, Ground Control Side, ANSI and Australia

Item	Part No.	Description	Qty.
29	1292513GT	DECAL COSM,GENIE LIFT CONNECT,ESN,SKU4-2	1
30	1292514GT	DECAL COSM,GENIE LIFT CONNECT,ESN,SKU4-3	1
31	1292515GT	DECAL COSM,GENIE LIFT CONNECT,ESN,SKU4-4	
32	1292747GT	DECAL,LABEL-TIRE SPECS	2
		(E-drive only)	
33	1292990GT	DECAL,RELEASE BRAKE	1
		(E-drive only)	
34	1293324GT	DECAL, ICES-2/CAN-2 COMPLIANCE	1
35	1294685GT	DECAL,ANNUAL INSP***, MINI	1
36	1297194GT	DECAL, LABEL, OUTRIGGER LOAD, GS-3232	2
37	1297195GT	DECAL, LABEL-TRANSPORT DIAGRAM	1
38	1297433GT	DECAL, DANGER, ELECTRICAL HAZARD, SLAB	1
39	1305537GT	DECAL, LABEL, WHEEL LOAD, E-DRIVE, GS-3232	2
40	T112804GT	DECAL,GCON PANEL,GS	1



Platform, ANSI and Australia models

NOTE:
Part numbers with "(FR)" indicates French translation is available



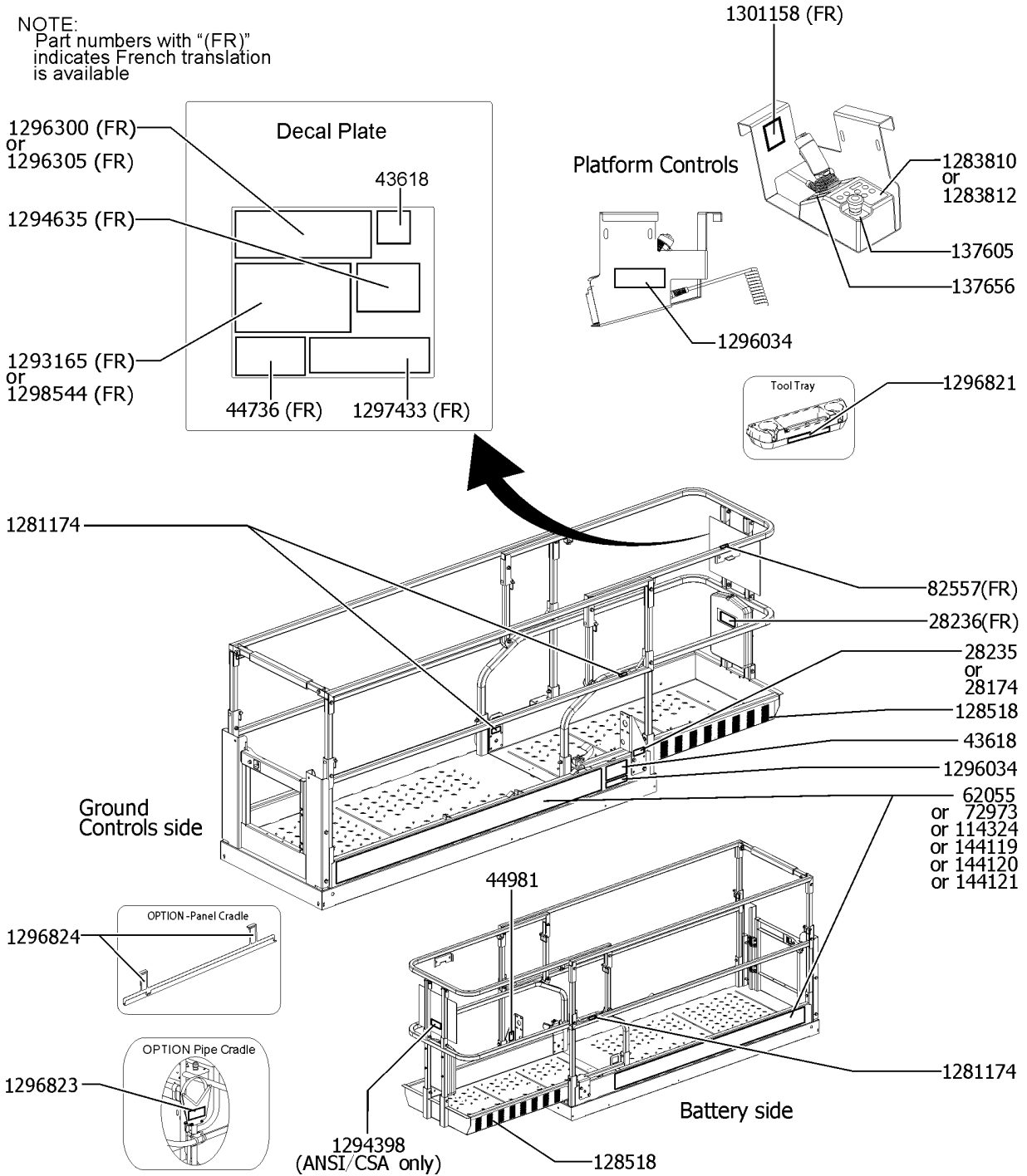
107.1 Word Decals, Platform, ANSI and Australia, All models

Item	Part No.	Description	Qty.
1	28174GT	DECAL, POWER TO PLATFORM 230V** (power to platform option, 230V)	1
2	28235GT	DECAL, POWER TO PLATFORM 115V** (power to platform option, 115V)	1
3	28236GT	DECAL,WARN,IMPROPER OPERATION	1
4	43618GT	DECAL, LABEL - DIRECTION ARROWS	2
5	44736GT	DECAL,DANGER,TIP-OVER,TILT	1
6	44981GT	DECAL LABEL AIRLINE 110PSI (Airline to platform Option)	1
7	62055GT	DECAL,COSMETIC,GENIE GS-2032 (GS-2032)	1
8	72973GT	DECAL,COSMETIC,GENIE GS-2632 (GS-2632)	1
9	82557GT	DECAL,LABEL,PLAT CONT LOCATION	1
10	114324GT	DECAL,COSMETIC-GENIE GS-3232 (GS-3232)	1
11	128518GT	TAPE,WARNING,BLK/YEL,108****	1
12	137605GT	DECAL,E-STOP, GR/GRC/GS PCON	1
13	137656GT	DECAL, PROPEL, GR/GRC/GS, PCON	1
14	144119GT	DECAL,COSMETIC,GENIE,GS2032,BLK (GS-2032)	1
15	144120GT	DECAL,COSMETIC,GENIE,GS2632,BLK (GS-2632)	1
16	144121GT	DECAL,COSMETIC,GENIE GS3232BLK (GS-3232)	1
17	1281174GT	DECAL,LANYARD,FALL ARREST/FALL RESTRAINED	3
18	1283810GT	DECAL,STD,DUAL ZONE,GR/GS,UI (GS-2032/2632)	1
19	1283812GT	DECAL,O/R,DUAL ZONE,GS,UI (GS-3232)	1
20	1293165GT	DECAL,DANGER/WARNING COMBO, GS-1330m (GS-2032/2632)	1
21	1294398GT	DECAL, ANSI/CSA COMPLIANT (ANSI/CSA Only)	1
22	1294635GT	DECAL, PLATFORM OVERLOAD LED INDICATOR LIGHT	1
23	1296034GT	DECAL, SMARTLINK, DUAL ZONE	2
24	1296300GT	DECAL, DANGER, MAX CAPACITY 500LBS, SIDE FORCE 45/90LBS (GS-2632/3232)	1
25	1296305GT	DECAL, DANGER, MAX CAPACITY 800LBS, SIDE FORCE 45/90LBS (GS-2032)	1
26	1296821GT	DECAL, WARNING, TOOL TRAY	1
27	1296823GT	DECAL, WARNING, PIPE CRADLE Pipe Cradle Option	1
28	1296824GT	DECAL, WARNING, PANEL CARRIER Panel Cradle Option	2



Platform, ANSI and Australia models

NOTE:
Part numbers with "(FR)" indicates French translation is available



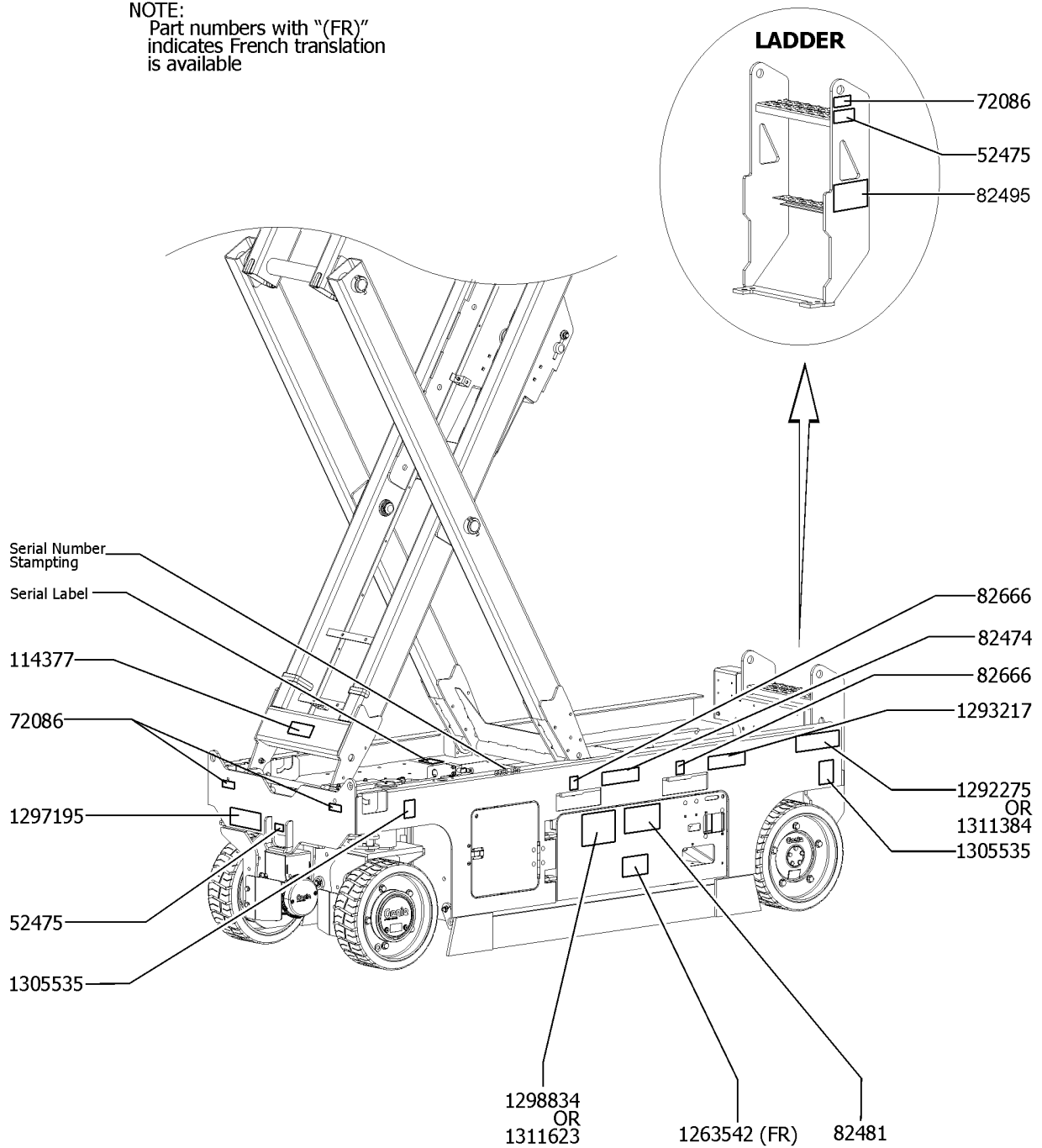
107.1 Word Decals, Platform, ANSI and Australia, All models

<i>Item</i>	<i>Part No.</i>	<i>Description</i>	<i>Qty.</i>
29	1297433GT	DECAL, DANGER, ELECTRICAL HAZARD, SLAB	1
30	1298544GT	DECAL, DANGER, TIP-OVER, CRUSH, OUTRIGGER	1
		(GS-3232)	
31	1301158GT	DECAL, LABEL, FAULT CODES	1



Battery Side

NOTE:
Part numbers with "(FR)"
indicates French translation
is available

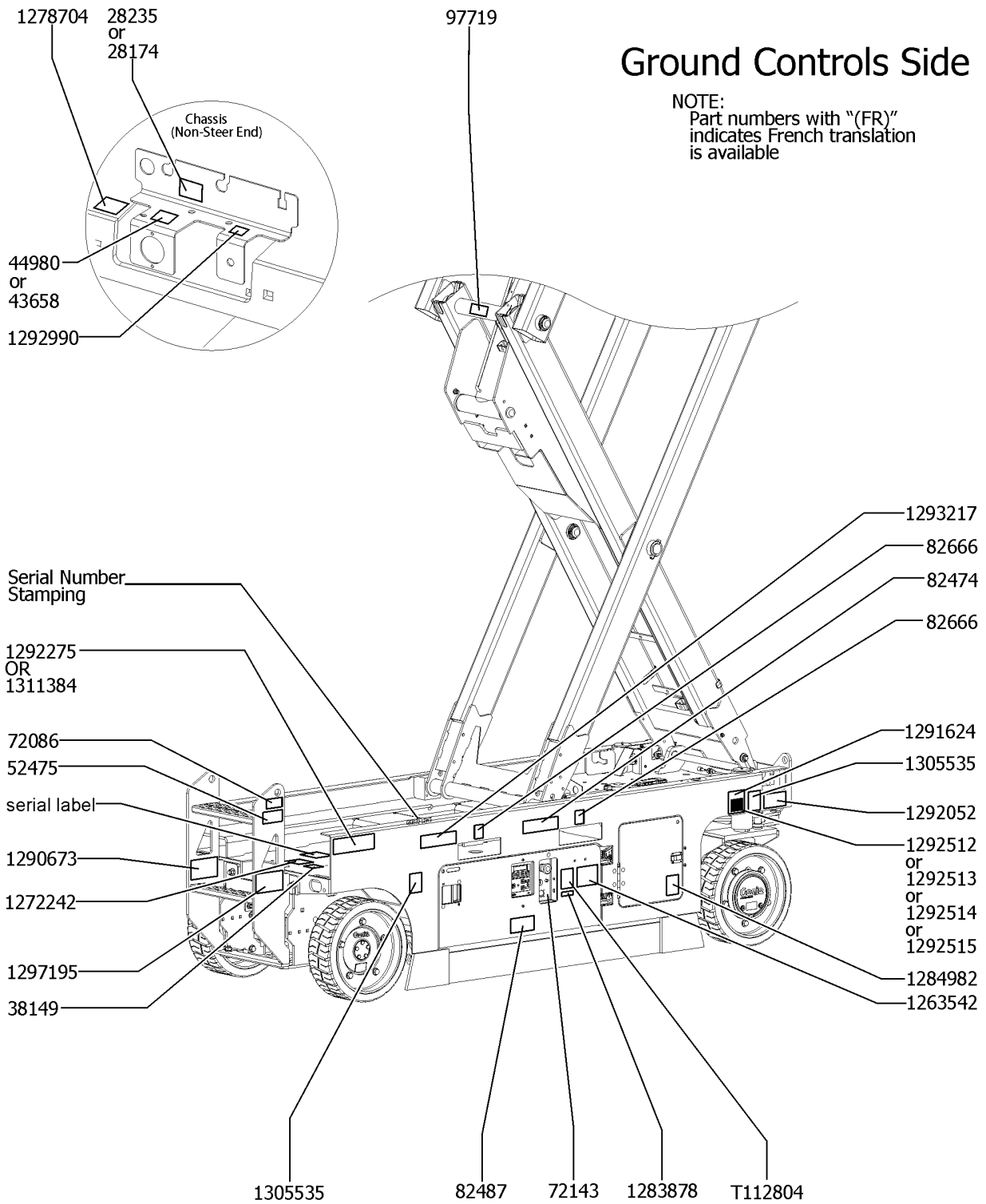


108.1 Symbol Decals, GS-2032, Battery Side, ANSI & CE

Item	Part No.	Description	Qty.
1	52475GT	DECAL LABEL TRANSPORT TIE DOWN*	2
2	72086GT	DECAL,LABEL,LIFTING EYE	3
3	82474GT	DECAL SYMBOL USE SAFETY ARM	1
4	82481GT	DECAL SYMBOL BATTERY SAFETY	1
5	82495GT	DECAL,LABEL,FORKLIFT POCKET	1
6	82666GT	DECAL,LABEL,FORKLIFT POCKET	2
7	114377GT	EA-ELECT. CDC BOX 4LT	1
8	1263542GT	DECAL, COMPARTMENT ACCESS	1
9	1292275GT	DECAL, ELECTRIC DRIVE, E-DRIVE	1
		(E-drive only)	
10	1293217GT	DECAL SYMBOL ELECTRIC HAZARD GS-1330m	1
11	1297195GT	DECAL, LABEL-TRANSPORT DIAGRAM	1
12	1298834GT	DECAL, DANGER, TIP-OVER, BATTERY	1
13	1305535GT	DECAL, LABEL, WHEEL LOAD, E-DRIVE, GS-2032	2
14	1311384GT	DECAL,COSMETIC,LITHIUM-ION	1
		(Li Option)	
15	1311623GT	DECAL,DANGER,TIP-OVER,LI BATTERY,SYM	1
		(Li Option)	



109.1 Symbol Decals, GS-2032, Ground Control Side, ANSI and CE

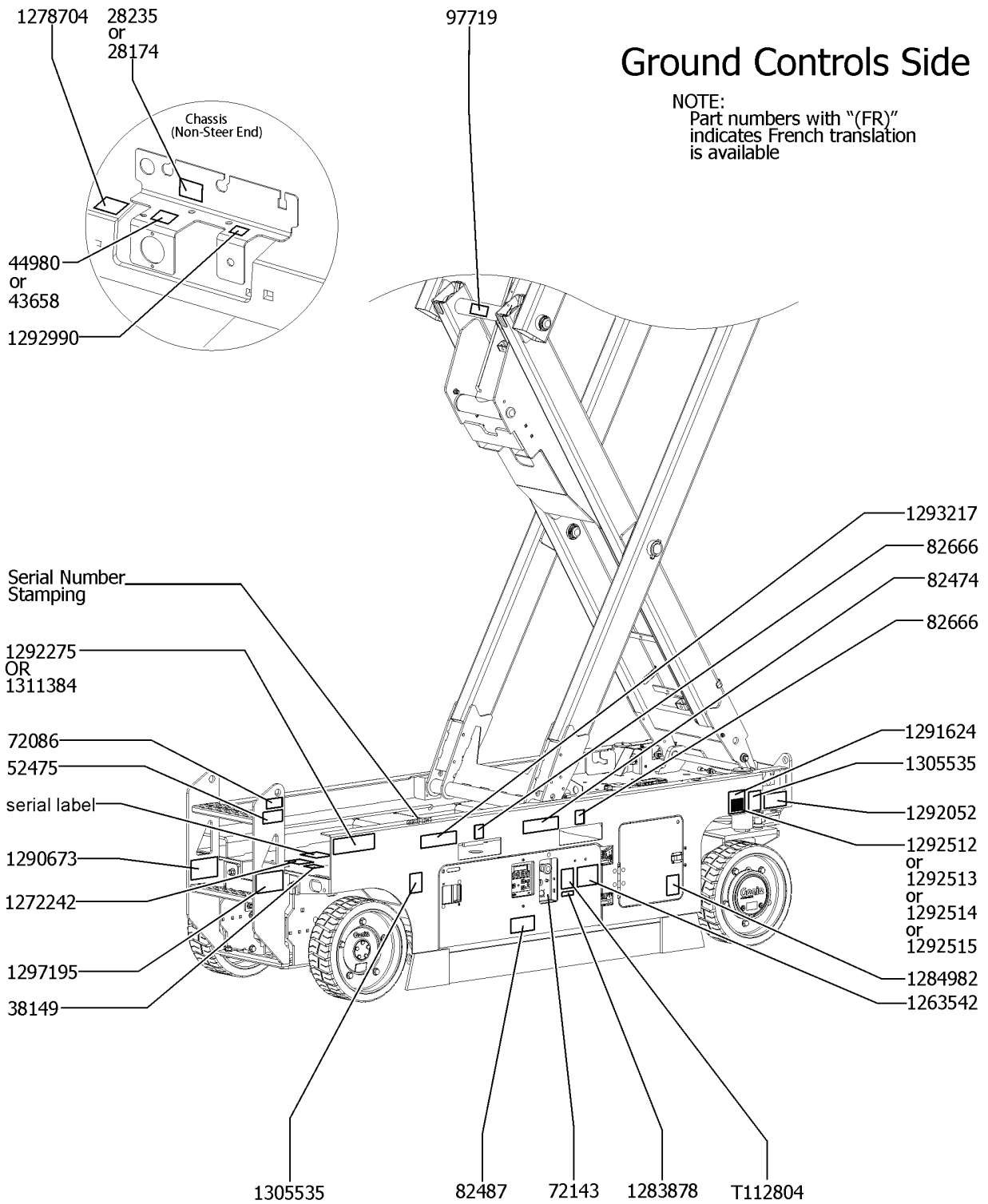


109.1 Symbol Decals, GS-2032, Ground Control Side, ANSI and CE

Item	Part No.	Description	Qty.
1	28174GT	DECAL, POWER TO PLATFORM 230V** (power to platform option, 230V)	1
2	28235GT	DECAL, POWER TO PLATFORM 115V** (power to platform option, 115V)	1
3	38149GT	DECAL LABEL PATENTS	1
4	43658GT	DECAL, LABEL, PWR TO CHARGER 230 EU (power to charger option, 230V)	1
5	44980GT	DECAL, LABEL, PWR TO CHARGER 115 UK (power to charger option, 115V)	1
6	52475GT	DECAL LABEL TRANSPORT TIE DOWN*	1
7	72086GT	DECAL,LABEL,LIFTING EYE	1
8	72143GT	DECAL, EMERGENCY STOP, GR	1
9	82474GT	DECAL SYMBOL USE SAFETY ARM	1
10	82487GT	DECAL,SYMBOL-READ THE MANUAL	1
11	82666GT	DECAL,LABEL,FORKLIFT POCKET	2
12	97719GT	DECAL, LABEL, SAFETY ARM SYMBOL	1
13	1263542GT	DECAL, COMPARTMENT ACCESS	1
14	1272242GT	DECAL,MACHINE REGISTRATION/OWNER TRANSFER	1
15	1278704GT	DECAL,CHARGE STATUS IND	1
16	1283878GT	DECAL, TECHPRO LINK	1
17	1284982GT	DECAL,ACCUMULATOR EXPLOSION HAZARD,SYMBOL	1
18	1290673GT	DECAL SYMBOL ELECTRIC HAZARD PLUG, GS-1330m	1
19	1291624GT	DECAL COSM,GENIE LIFT CONNECT,LEXAN COVER	1
20	1292052GT	DECAL LABEL AUX LOWERING	1
21	1292275GT	DECAL, ELECTRIC DRIVE, E-DRIVE (E-drive only)	1
22	1292512GT	DECAL COSM,GENIE LIFT CONNECT,ESN,SKU4-1	1
23	1292513GT	DECAL COSM,GENIE LIFT CONNECT,ESN,SKU4-2	1
24	1292514GT	DECAL COSM,GENIE LIFT CONNECT,ESN,SKU4-3	1
25	1292515GT	DECAL COSM,GENIE LIFT CONNECT,ESN,SKU4-4	1
26	1292990GT	DECAL,RELEASE BRAKE (E-drive only)	1
27	1293217GT	DECAL SYMBOL ELECTRIC HAZARD GS-1330m	1
28	1297195GT	DECAL, LABEL-TRANSPORT DIAGRAM	1



109.1 Symbol Decals, GS-2032, Ground Control Side, ANSI and CE



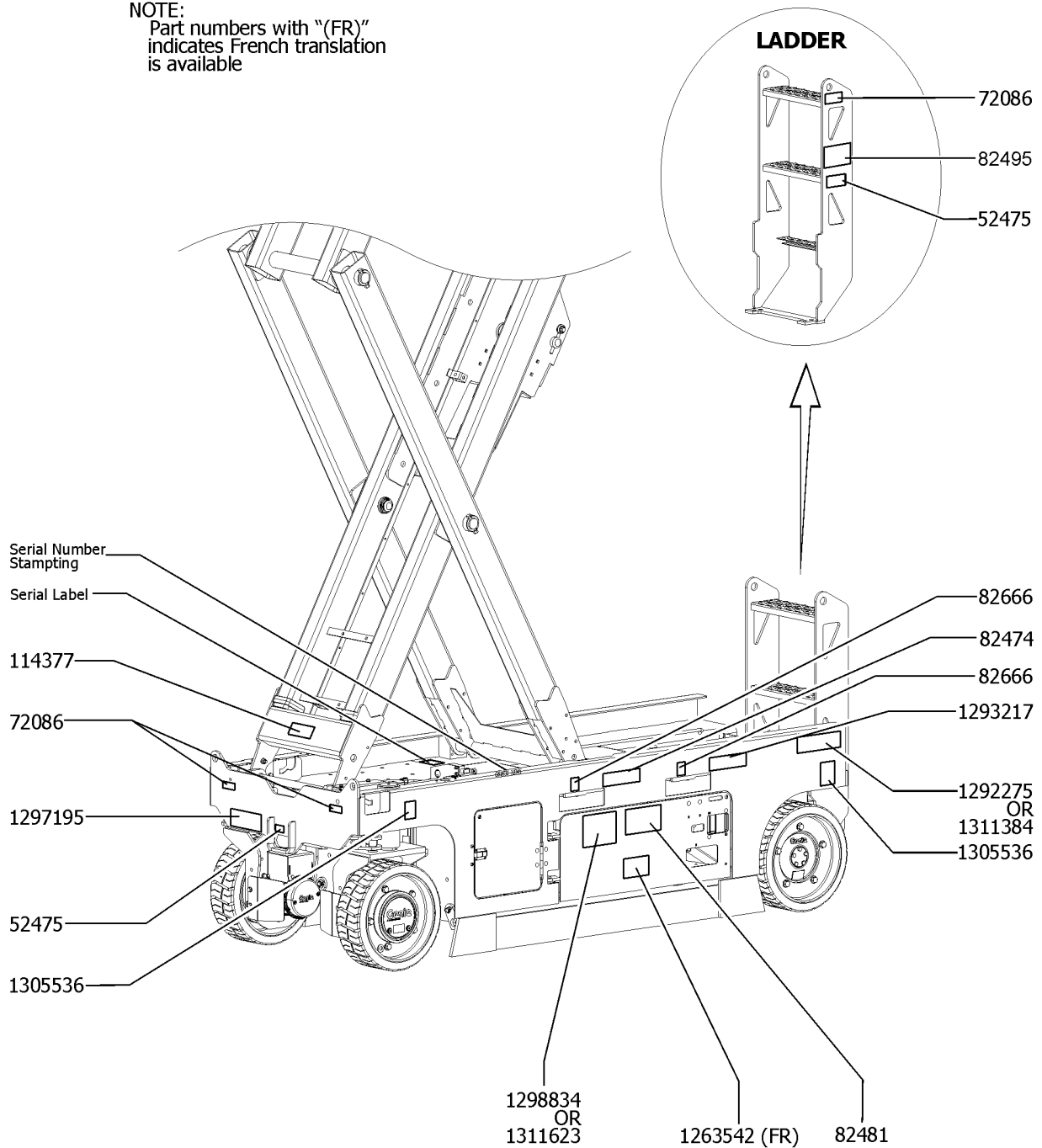
109.1 Symbol Decals, GS-2032, Ground Control Side, ANSI and CE

<i>Item</i>	<i>Part No.</i>	<i>Description</i>	<i>Qty.</i>
29	1305535GT	DECAL, LABEL, WHEEL LOAD, E-DRIVE, GS-2032	2
30	T112804GT	DECAL,GCON PANEL,GS	1
31	1311384GT	DECAL,COSMETIC,LITHIUM-ION	1
		(Li Option)	



Battery Side

NOTE:
Part numbers with "(FR)"
indicates French translation
is available

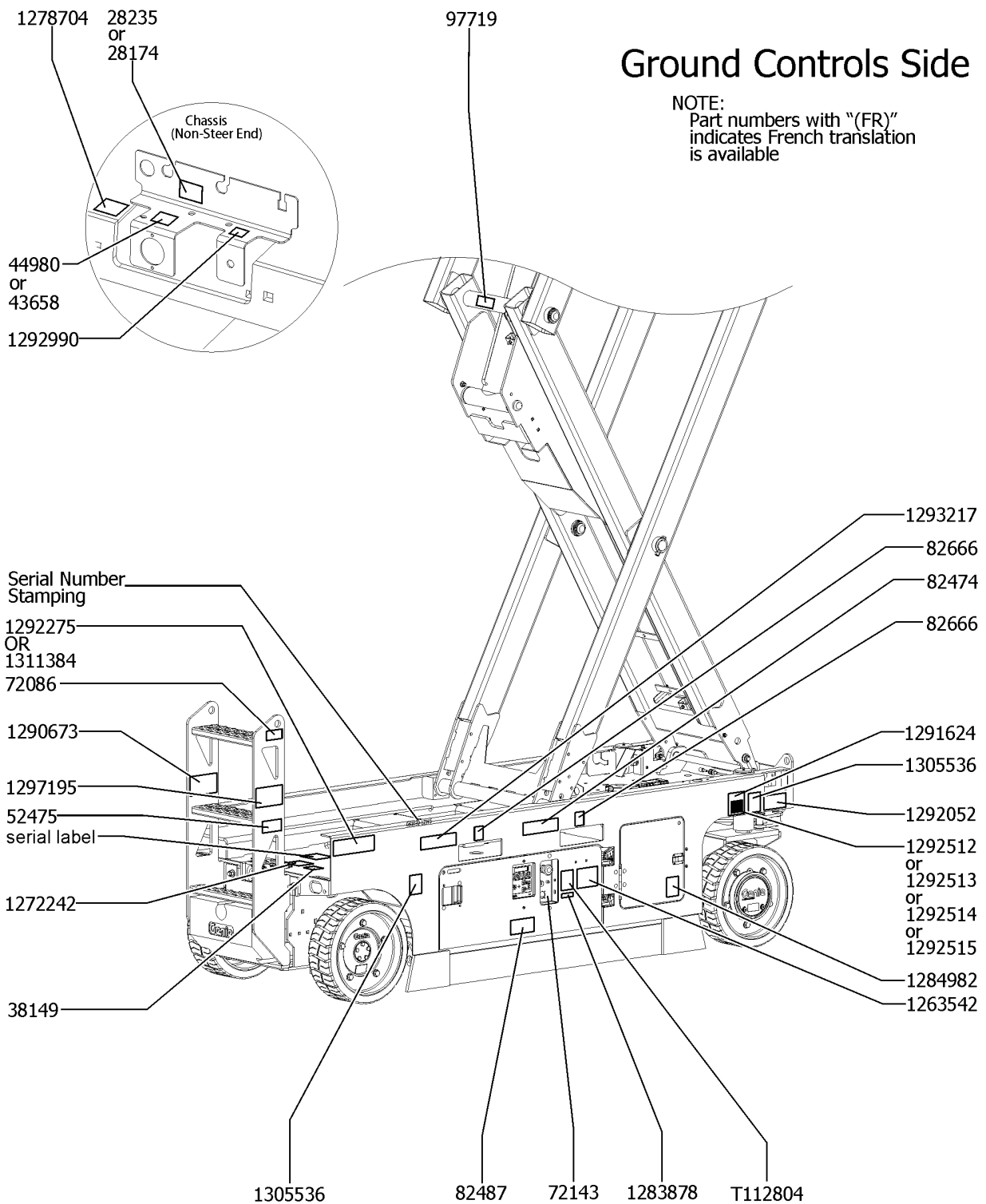


110.1 Symbol Decals, GS-2632, Battery Side, ANSI & CE

Item	Part No.	Description	Qty.
1	52475GT	DECAL LABEL TRANSPORT TIE DOWN*	2
2	72086GT	DECAL,LABEL,LIFTING EYE	3
3	82474GT	DECAL SYMBOL USE SAFETY ARM	1
4	82481GT	DECAL SYMBOL BATTERY SAFETY	1
5	82495GT	DECAL,LABEL,FORKLIFT POCKET	1
6	82666GT	DECAL,LABEL,FORKLIFT POCKET	2
7	114377GT	EA-ELECT. CDC BOX 4LT	1
8	1263542GT	DECAL, COMPARTMENT ACCESS	1
9	1292275GT	DECAL, ELECTRIC DRIVE, E-DRIVE	1
		(E-drive only)	
10	1293217GT	DECAL SYMBOL ELECTRIC HAZARD GS-1330m	1
11	1297195GT	DECAL, LABEL-TRANSPORT DIAGRAM	1
12	1298834GT	DECAL, DANGER, TIP-OVER, BATTERY	1
13	1305536GT	DECAL, LABEL, WHEEL LOAD, E-DRIVE, GS-2632	2
14	1311384GT	DECAL,COSMETIC,LITHIUM-ION	1
		(Li Option)	
15	1311623GT	DECAL,DANGER,TIP-OVER,LI BATTERY,SYM	1
		(Li Option)	



111.1 Symbol Decals, GS-2632, Ground Control Side, ANSI and CE

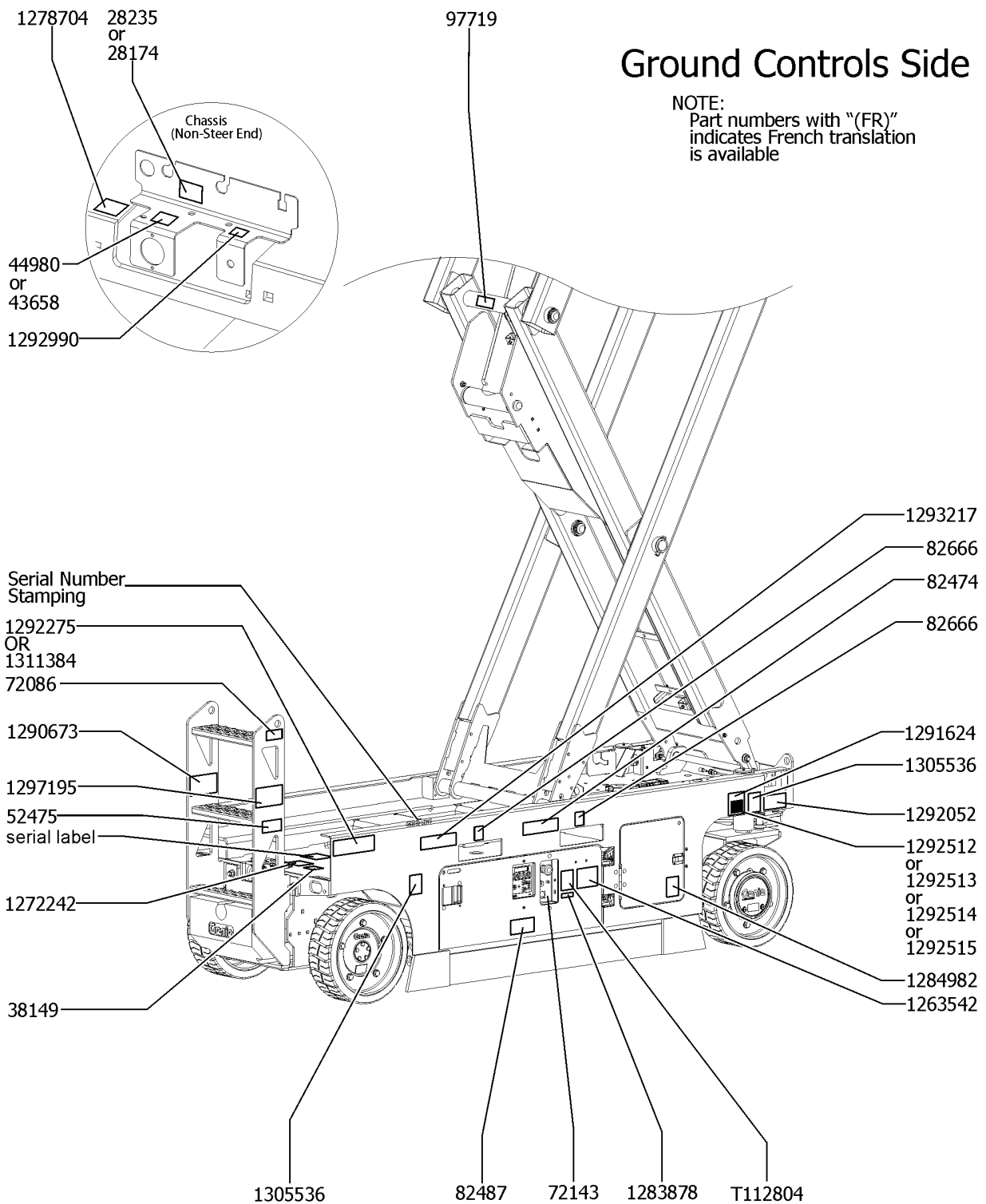


111.1 Symbol Decals, GS-2632, Ground Control Side, ANSI and CE

Item	Part No.	Description	Qty.
1	28174GT	DECAL, POWER TO PLATFORM 230V** (power to platform option, 230V)	1
2	28235GT	DECAL, POWER TO PLATFORM 115V** (power to platform option, 115V)	1
3	38149GT	DECAL LABEL PATENTS	1
4	43658GT	DECAL, LABEL, PWR TO CHARGER 230 EU (power to charger option, 230V)	1
5	44980GT	DECAL, LABEL, PWR TO CHARGER 115 UK (power to charger option, 115V)	1
6	52475GT	DECAL LABEL TRANSPORT TIE DOWN*	1
7	72086GT	DECAL,LABEL,LIFTING EYE	1
8	72143GT	DECAL, EMERGENCY STOP, GR	1
9	82474GT	DECAL SYMBOL USE SAFETY ARM	1
10	82487GT	DECAL,SYMBOL-READ THE MANUAL	1
11	82666GT	DECAL,LABEL,FORKLIFT POCKET	2
12	97719GT	DECAL, LABEL, SAFETY ARM SYMBOL	1
13	1263542GT	DECAL, COMPARTMENT ACCESS	1
14	1272242GT	DECAL,MACHINE REGISTRATION/OWNER TRANSFER	1
15	1278704GT	DECAL,CHARGE STATUS IND	1
16	1283878GT	DECAL, TECHPRO LINK	1
17	1284982GT	DECAL,ACCUMULATOR EXPLOSION HAZARD,SYMBOL	1
18	1290673GT	DECAL SYMBOL ELECTRIC HAZARD PLUG, GS-1330m	1
19	1291624GT	DECAL COSM,GENIE LIFT CONNECT,LEXAN COVER	1
20	1292052GT	DECAL LABEL AUX LOWERING	1
21	1292275GT	DECAL, ELECTRIC DRIVE, E-DRIVE (E-drive only)	1
22	1292512GT	DECAL COSM,GENIE LIFT CONNECT,ESN,SKU4-1	1
23	1292513GT	DECAL COSM,GENIE LIFT CONNECT,ESN,SKU4-2	1
24	1292514GT	DECAL COSM,GENIE LIFT CONNECT,ESN,SKU4-3	1
25	1292515GT	DECAL COSM,GENIE LIFT CONNECT,ESN,SKU4-4	1
26	1292990GT	DECAL,RELEASE BRAKE (E-drive only)	1
27	1293217GT	DECAL SYMBOL ELECTRIC HAZARD GS-1330m	1
28	1297195GT	DECAL, LABEL-TRANSPORT DIAGRAM	1



111.1 Symbol Decals, GS-2632, Ground Control Side, ANSI and CE



111.1 Symbol Decals, GS-2632, Ground Control Side, ANSI and CE

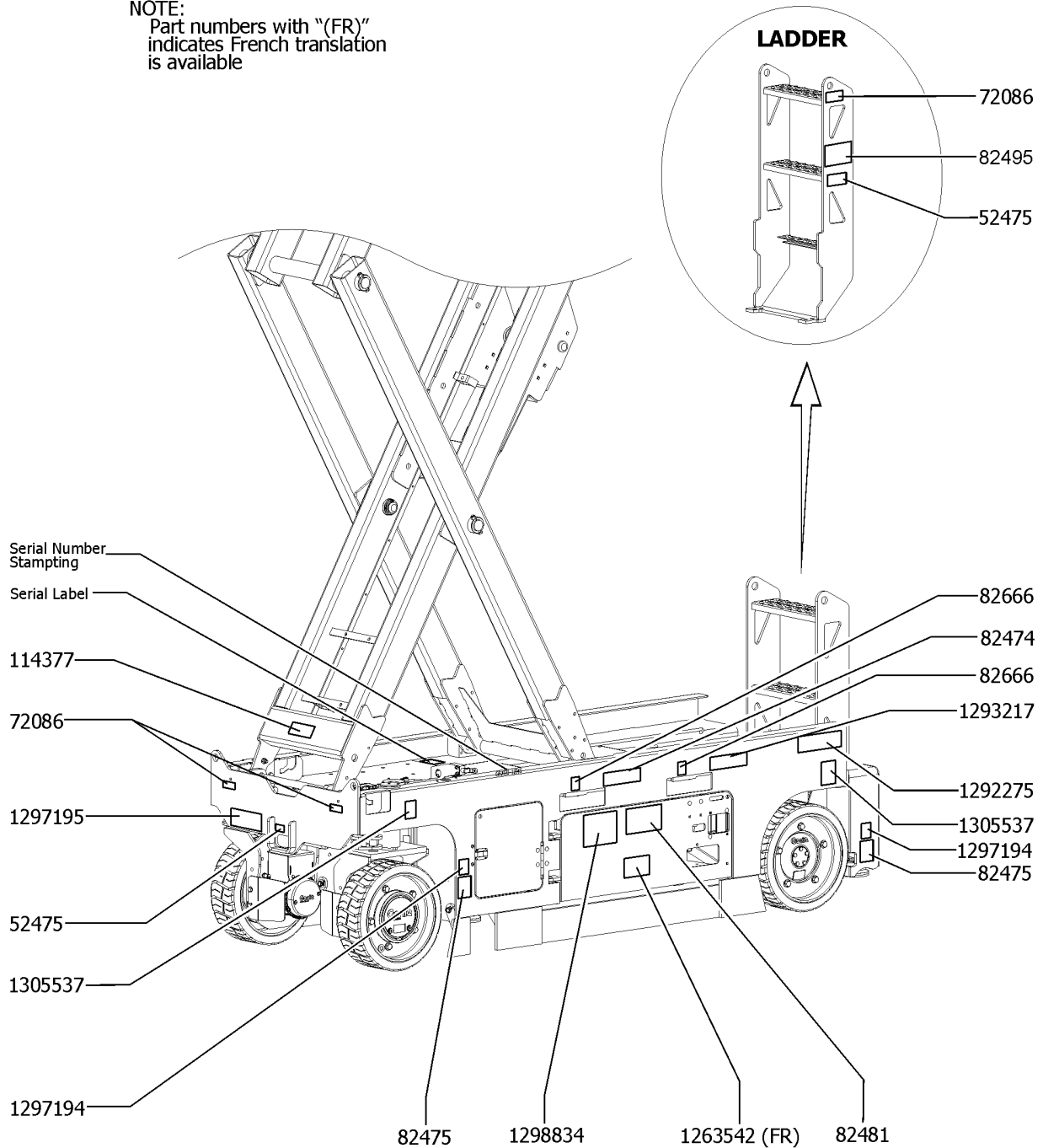
<i>Item</i>	<i>Part No.</i>	<i>Description</i>	<i>Qty.</i>
29	1305536GT	DECAL, LABEL, WHEEL LOAD, E-DRIVE, GS-2632	2
30	T112804GT	DECAL,GCON PANEL,GS	1
31	1311384GT	DECAL,COSMETIC,LITHIUM-ION	1

(Li Option)



Battery Side

NOTE:
Part numbers with "(FR)"
indicates French translation
is available

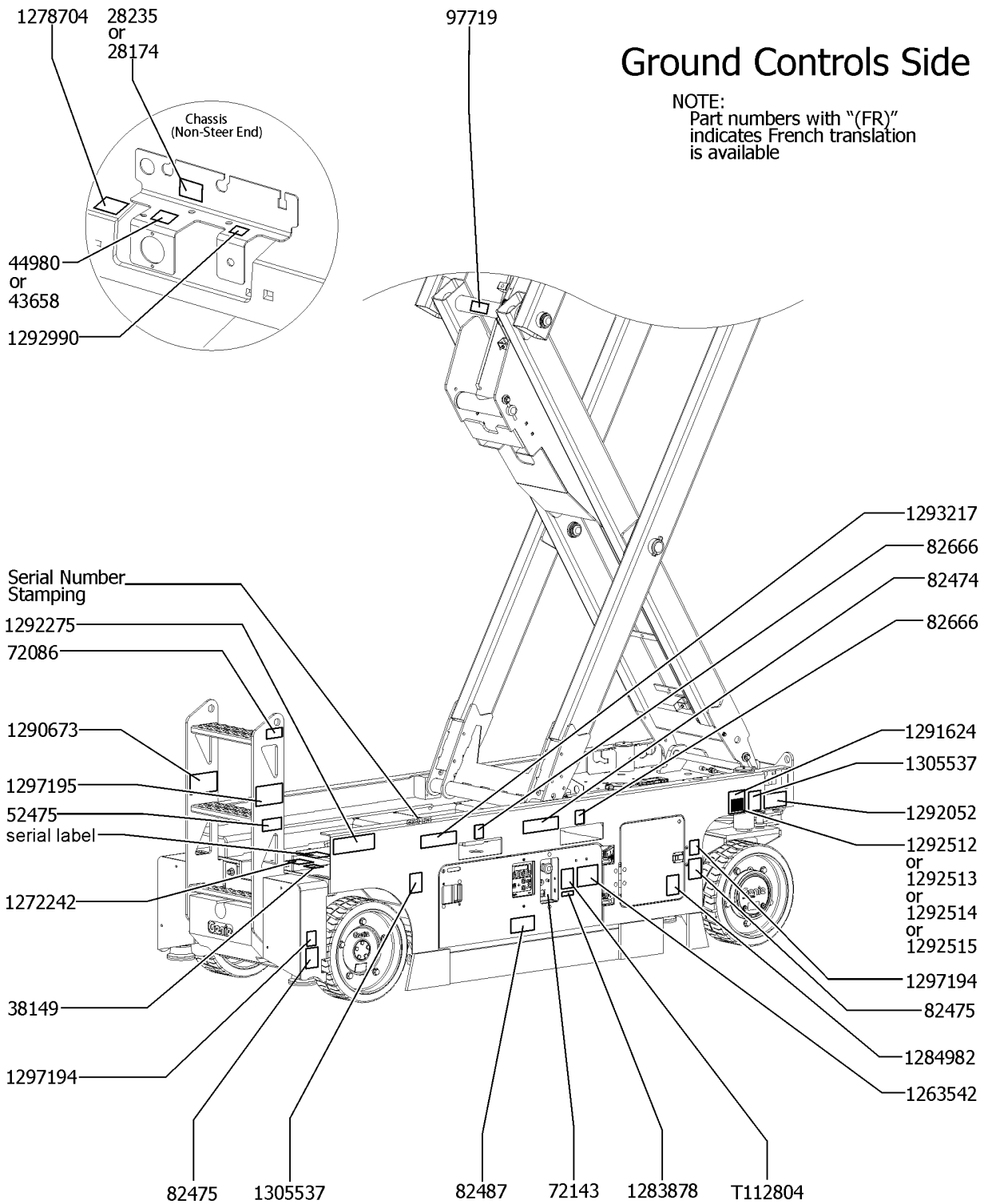


112.1 Symbol Decals, GS-3232, Battery Side, ANSI & CE

<i>Item</i>	<i>Part No.</i>	<i>Description</i>	<i>Qty.</i>
1	52475GT	DECAL LABEL TRANSPORT TIE DOWN*	2
2	72086GT	DECAL,LABEL,LIFTING EYE	3
3	82474GT	DECAL SYMBOL USE SAFETY ARM	1
4	82481GT	DECAL SYMBOL BATTERY SAFETY	1
5	82475GT	DECAL,WARNING,CRUSHING HAZARD	2
6	82495GT	DECAL,LABEL,FORKLIFT POCKET	1
7	82666GT	DECAL,LABEL,FORKLIFT POCKET	2
8	114377GT	EA-ELECT. CDC BOX 4LT	1
9	1263542GT	DECAL, COMPARTMENT ACCESS	1
10	1292275GT	DECAL, ELECTRIC DRIVE, E-DRIVE (E-drive only)	1
11	1293217GT	DECAL SYMBOL ELECTRIC HAZARD GS-1330m	1
12	1297194GT	DECAL, LABEL, OUTRIGGER LOAD, GS-3232	2
13	1297195GT	DECAL, LABEL-TRANSPORT DIAGRAM	1
14	1298834GT	DECAL, DANGER, TIP-OVER, BATTERY	1
15	1305537GT	DECAL, LABEL, WHEEL LOAD, E-DRIVE, GS-3232	2



113.1 Symbol Decals, GS-3232, Ground Control Side, ANSI and CE

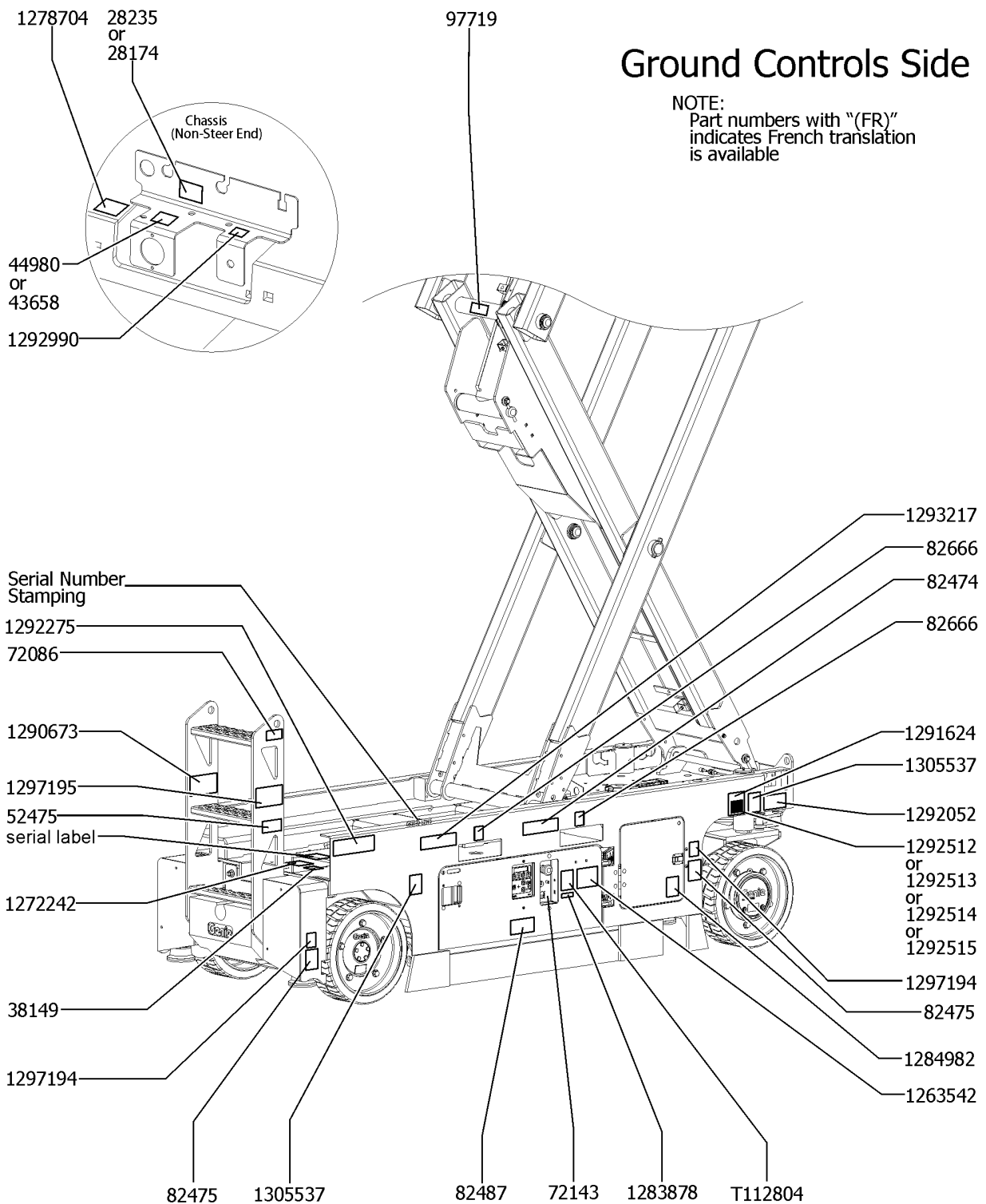


113.1 Symbol Decals, GS-3232, Ground Control Side, ANSI and CE

Item	Part No.	Description	Qty.
1	28174GT	DECAL, POWER TO PLATFORM 230V** (power to platform option, 230V)	1
2	28235GT	DECAL, POWER TO PLATFORM 115V** (power to platform option, 115V)	1
3	38149GT	DECAL LABEL PATENTS	1
4	43658GT	DECAL, LABEL, PWR TO CHARGER 230 EU (power to charger option, 230V)	1
5	44980GT	DECAL, LABEL, PWR TO CHARGER 115 UK (power to charger option, 115V)	1
6	52475GT	DECAL LABEL TRANSPORT TIE DOWN*	1
7	72086GT	DECAL,LABEL,LIFTING EYE	1
8	72143GT	DECAL, EMERGENCY STOP, GR	1
9	82474GT	DECAL SYMBOL USE SAFETY ARM	1
10	82475GT	DECAL,WARNING,CRUSHING HAZARD	2
11	82487GT	DECAL,SYMBOL-READ THE MANUAL	1
12	82666GT	DECAL,LABEL,FORKLIFT POCKET	2
13	97719GT	DECAL, LABEL, SAFETY ARM SYMBOL	1
14	1263542GT	DECAL, COMPARTMENT ACCESS	1
15	1272242GT	DECAL,MACHINE REGISTRATION/OWNER TRANSFER	1
16	1278704GT	DECAL,CHARGE STATUS IND	1
17	1283878GT	DECAL, TECHPRO LINK	1
18	1284982GT	DECAL,ACCUMULATOR EXPLOSION HAZARD,SYMBOL	1
19	1290673GT	DECAL SYMBOL ELECTRIC HAZARD PLUG, GS-1330m	1
20	1291624GT	DECAL COSM,GENIE LIFT CONNECT,LEXAN COVER	1
21	1292052GT	DECAL LABEL AUX LOWERING	1
22	1292275GT	DECAL, ELECTRIC DRIVE, E-DRIVE (E-drive only)	1
23	1292512GT	DECAL COSM,GENIE LIFT CONNECT,ESN,SKU4-1	1
24	1292513GT	DECAL COSM,GENIE LIFT CONNECT,ESN,SKU4-2	1
25	1292514GT	DECAL COSM,GENIE LIFT CONNECT,ESN,SKU4-3	1
26	1292515GT	DECAL COSM,GENIE LIFT CONNECT,ESN,SKU4-4	1
27	1292990GT	DECAL,RELEASE BRAKE (E-drive only)	1
28	1293217GT	DECAL SYMBOL ELECTRIC HAZARD GS-1330m	1



113.1 Symbol Decals, GS-3232, Ground Control Side, ANSI and CE



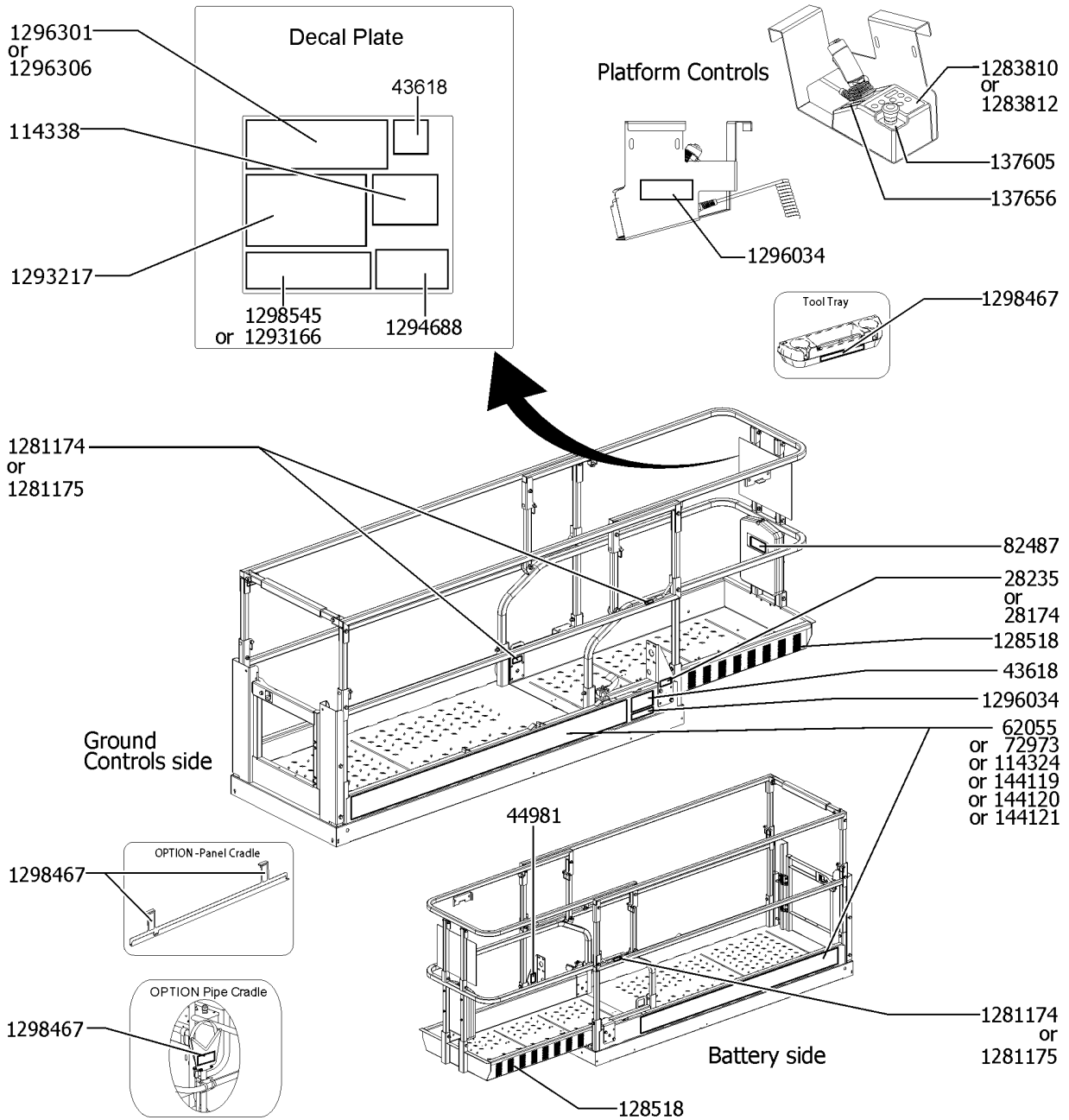
113.1 Symbol Decals, GS-3232, Ground Control Side, ANSI and CE

<i>Item</i>	<i>Part No.</i>	<i>Description</i>	<i>Qty.</i>
29	1297194GT	DECAL, LABEL, OUTRIGGER LOAD, GS-3232	2
30	1297195GT	DECAL, LABEL-TRANSPORT DIAGRAM	1
31	1305537GT	DECAL, LABEL, WHEEL LOAD, E-DRIVE, GS-3232	2
32	T112804GT	DECAL,GCON PANEL,GS	1



Platform, ANSI and Australia models

NOTE:
Part numbers with "(FR)" indicates French translation is available

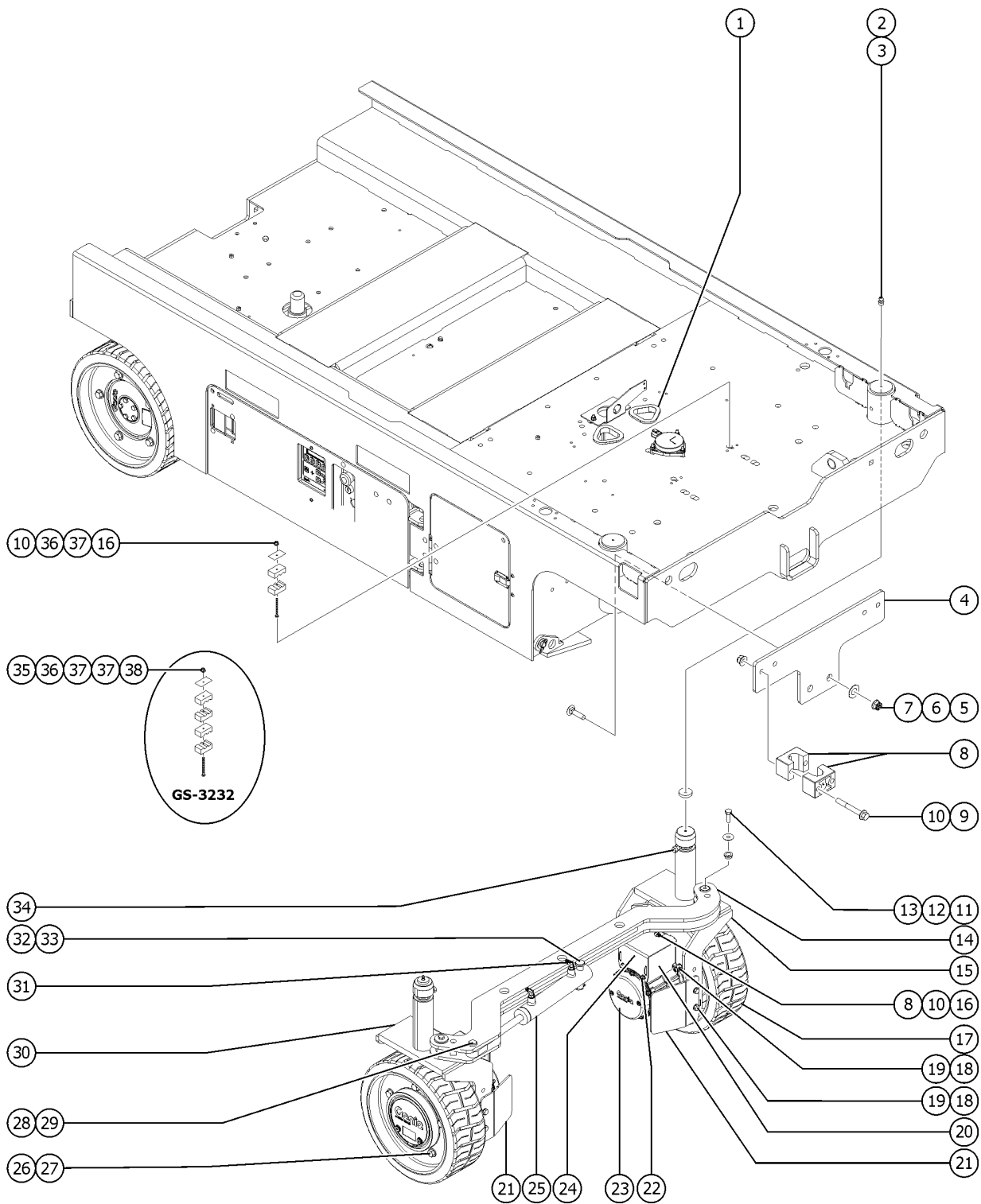


114.1 Symbol Decals, Platform, ANSI and CE, All models

Item	Part No.	Description	Qty.
1	28174GT	DECAL, POWER TO PLATFORM 230V** (power to platform option, 230V)	1
2	28235GT	DECAL, POWER TO PLATFORM 115V** (power to platform option, 115V)	1
3	43618GT	DECAL, LABEL - DIRECTION ARROWS	1
4	44981GT	DECAL LABEL AIRLINE 110PSI (Airline to platform Option)	1
5	62055GT	DECAL, COSMETIC, GENIE GS-2032 (GS-2032)	1
6	72973GT	DECAL, COSMETIC, GENIE GS-2632 (GS-2632)	1
7	82487GT	DECAL, SYMBOL-READ THE MANUAL	1
8	114324GT	DECAL, COSMETIC-GENIE GS-3232 (GS-3232)	1
9	114338GT	DECAL, SYM-TIP-OVR, TILT ALARM	1
10	128518GT	TAPE, WARNING, BLK/YEL, 108****	1
11	137605GT	DECAL, E-STOP, GR/GRC/GS PCON	1
12	137656GT	DECAL, PROPEL, GR/GRC/GS, PCON	1
13	144119GT	DECAL, COSMETIC, GENIE, GS2032, BLK (GS-2032)	1
14	144120GT	DECAL, COSMETIC, GENIE, GS2632, BLK (GS-2632)	1
15	144121GT	DECAL, COSMETIC, GENIE GS3232BLK (GS-3232)	1
16	1281174GT	DECAL, LANYARD, FALL ARREST/FALL RESTRAINED ANSI MARKET ONLY	3
17	1281175GT	DECAL, LANYARD, FALL RESTRAINED CE MARKET ONLY	3
18	1283810GT	DECAL, STD, DUAL ZONE, GR/GS, UI (GS-2632/3232)	1
19	1283812GT	DECAL, O/R, DUAL ZONE, GS, UI (GS-3232)	1
20	1293166GT	DECAL, TIP-OVER, CRUSH, GS-1330m (GS-2032/2632)	1
21	1293217GT	DECAL SYMBOL ELECTRIC HAZARD GS-1330m	1
22	1294688GT	DECAL, PLATFORM OVERLOAD, MINI	1
23	1296034GT	DECAL, SMARTLINK, DUAL ZONE	2
24	1296301GT	DECAL, DANGER, MAX CAPACITY 227KG, SIDE FORCE 200/400N (GS-2632/3232)	1
25	1296306GT	DECAL, DANGER, MAX CAPACITY 363KG, SIDE FORCE 200/400N (GS-2032)	1
26	1298467GT	DECAL, SYMBOL, READ THE MANUAL, 2.38x1.25 Option	4
27	1298545GT	DECAL, DANGER, TIP-OVER, CRUSH, OUTRIGGER (GS-3232)	1



201.1 Steer Linkage and Wheels (E-drive)

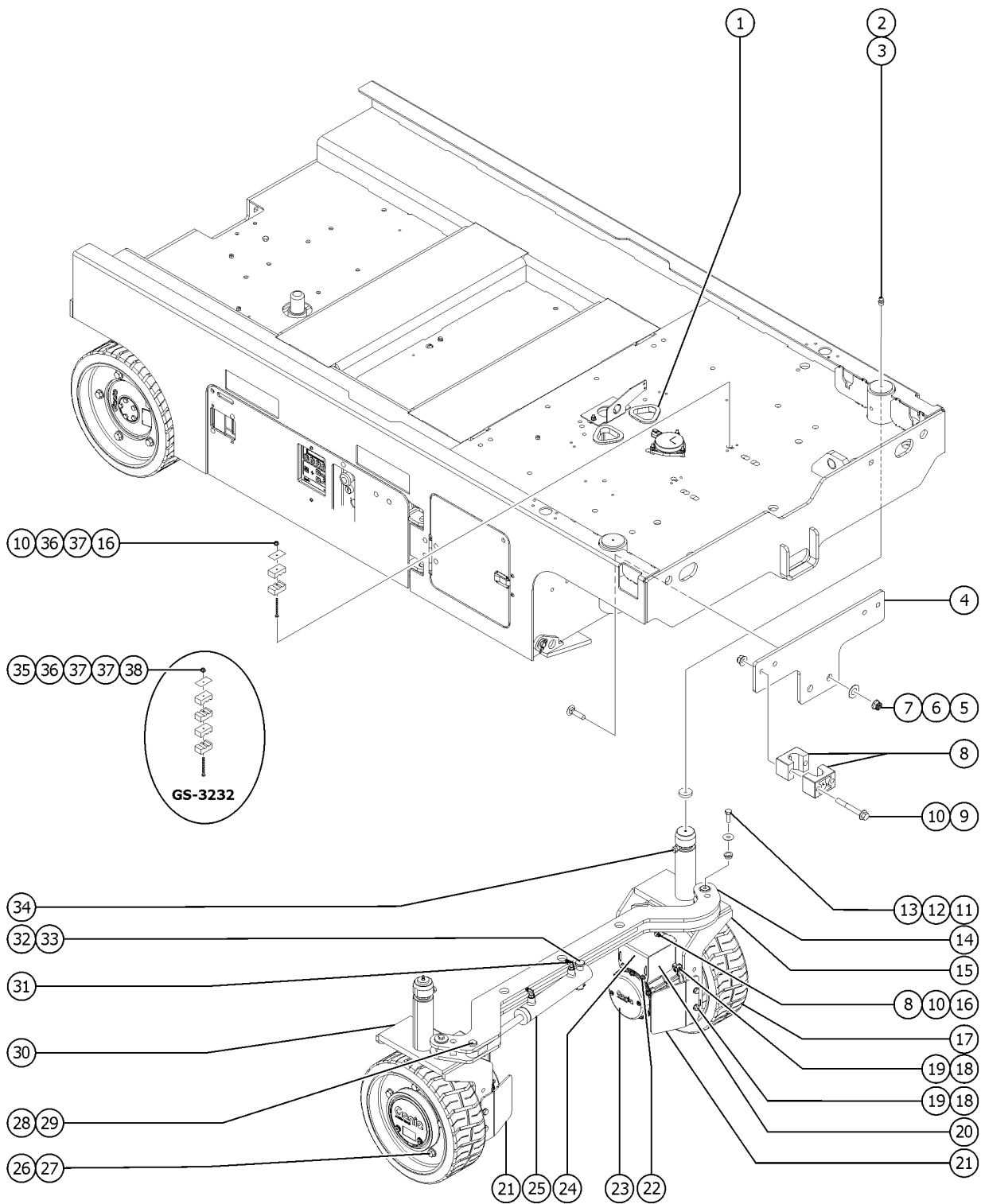


201.1 Steer Linkage and Wheels (E-drive)

Item	Part No.	Description	Qty.
1	105440GT	GROMMET, RUBBER 2.5 X 3.0	2
2	66770GT	FITTING, STRAIGHT DRIVE-IN ZERK	2
3	105565GT	WASHER, THRUST, GS	2
4	1305297GT	PLATE, CABLE CLAMP, GSXX32	1
5	1274322GT	NUT, NYLOCK FLG, 3/8-16, F, ZAG	8
6	1255757GT	BOLT, CARRIAGE, 3/8-16X1.25, 5, ZAG	2
7	87684GT	PUSHRETAINER FOR 3/8" THRD SCREW	2
8	1306358GT	CLAMP, ONE HOLE, 0.65-0.70	4
9	824081GT	SCREW, HHF, 1/4-20X1.5, 8, ZAG	4
10	1277924GT	NUT, NYLOCK FLG, 1/4-20, F, ZAG	8
11	1256109GT	SCREW, HHC, 3/8-16X.75, 8, ZAG	
12	824120GT	WASHER, FLAT, .375X1.50X.125, ZAG	2
13	47946GT	BEARING, 1.00IDX1.25ODX0.49L	4
14	132354GT	WLDMT, TIE ROD, GS32	1
14-	47946GT	BEARING, 1.00IDX1.25ODX0.49L	
15	1303530GT	WELDMENT, STEER YOKE, GS46, E-DRIVE, L (battery pack side)	1
16	1255797GT	BOLT, CARRIAGE, 1/4-20X2, 5, ZAG	4
17	1288762GT	WHEEL, GS4655	2
18	824068GT	SCREW, HHC, 3/8-16X1, 8, ZAG	
19	1304156GT	WASHER, FLAT, 3/8, SAE, HRD, ZAG	
20	1304173GT	FORMING, TERMINAL COVER, CABLE MOUNT	2
21	1304171GT	PLATE MOTOR GUARD, GS	2
22	237238GT	SCREW, HHF, M6-1.0X12, DIN6921, 10	
23	1299259GT	DRIVETRAIN, MOTOR, GEARBOX, HS Service kits refer to 201.3 & 201.4	2
24	1304172GT	FORMING, TERMINAL COVER	2
24-	1255450GT	GROMMET, RUBBER .88 X .19 X 1.2 (not shown)	1
25		Ref. Steer Cylinder (refer to 501.1)	
26	1256844GT	SCREW, HHC, 1/2-13X1.5, 8, ZAG	10



201.1 Steer Linkage and Wheels (E-drive)

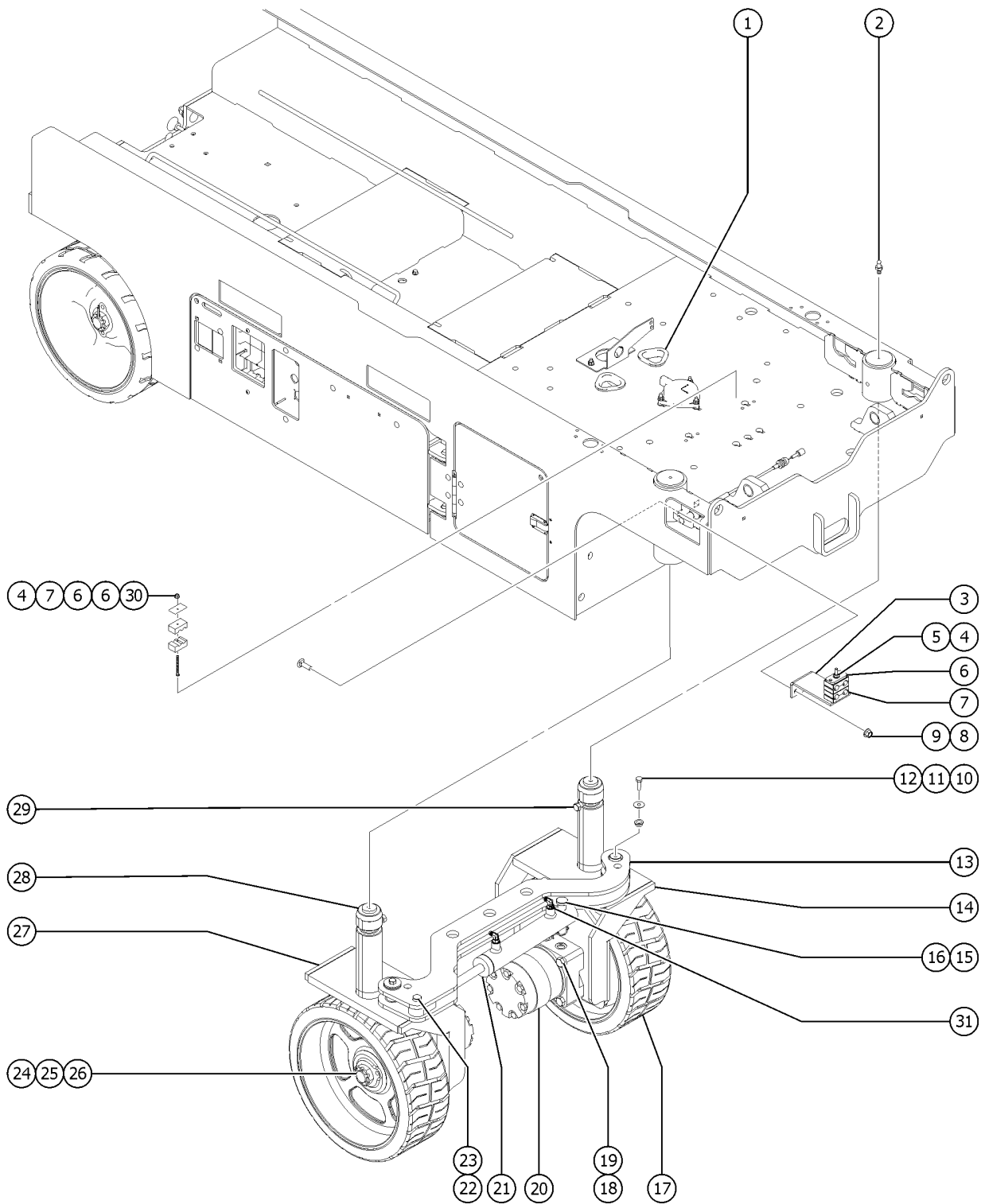


201.1 Steer Linkage and Wheels (E-drive)

Item	Part No.	Description	Qty.
27	825353GT	WASHER,FLAT,1/2,SAE,HRD,ZAG	10
28	1259193GT	PIN,CLEVIS,3/4X2,ZAG	1
29	1259194GT	CLIP,HAIR PIN,.125X2,.5-.75,ZA	1
30	1303529GT	WELDMENT, STEER YOKE, GS46, E-DRIVE, R (ground controls side)	1
31	13921GT	ELBOW,070220-4-4	2
32	1259195GT	PIN,CLEVIS,3/4X3.25,ZAG	1
33	824128GT	RUE RING,3/4,ZAG	1
34	1259192GT	SCREW, YOKE LOCK, ZAG	2
35	1256679GT	NUT,SERRATED,1/4-20,8,ZAG	1
		GS-3232 only	
36	132119GT	PLATE,HOSE ROUTING,BULKHEAD *	1
37	78736GT	CLAMP, 2 HOSE, PLASTIC, 5/8	
		as require	
38	1256291GT	BOLT,CARRIAGE,1/4-20X3.5,5,ZAG	1



201.2 Steer Linkage and Wheels (H-drive)

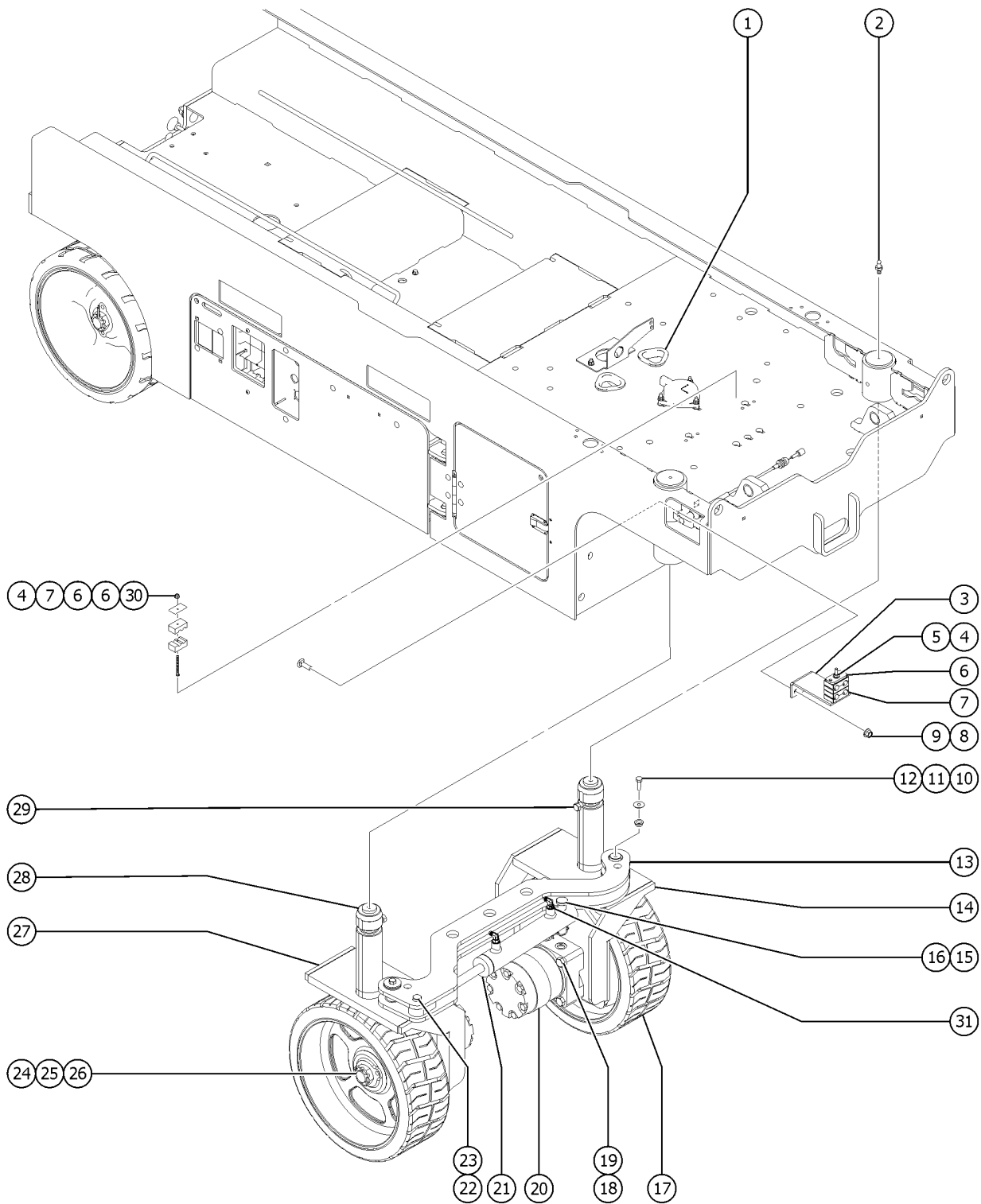


201.2 Steer Linkage and Wheels (H-drive)

Item	Part No.	Description	Qty.
1	105440GT	GROMMET, RUBBER 2.5 X 3.0	2
2	66770GT	FITTING,STRAIGHT DRIVE-IN ZERK	2
3	1299697GT	FORMING,HOSE CLAMP SUPPORT	1
4	1277924GT	NUT,NYLOCK FLG,1/4-20,F,ZAG	
5	1256123GT	SCREW,HHC,1/4-20X3.25,8,ZAG	
6	132119GT	PLATE,HOSE ROUTING,BULKHEAD * (as required)	
7	78736GT	CLAMP, 2 HOSE, PLASTIC, 5/8 (as required)	
8	1274322GT	NUT,NYLOCK FLG,3/8-16,F,ZAG	2
9	1255757GT	BOLT,CARRIAGE,3/8-16X1.25,5,ZAG	
10	1256109GT	SCREW,HHC,3/8-16X.75,8,ZAG	2
11	824120GT	WASHER,FLAT, .375X1.50X.125,ZAG	2
12	47946GT	BEARING,1.00IDX1.25ODX0.49L	2
13	84699GT	TIE ROD ASSEMBLY, GS32	1
13-	47946GT	BEARING,1.00IDX1.25ODX0.49L	4
13-	132354GT	WLDMT,TIE ROD,GS32 (does not include bearings)	
14	1304128GT	WLDMT, STEER YOKE, GS32, LT, H-DRIVE (battery pack side)	1
15	1259195GT	PIN,CLEVIS,3/4X3.25,ZAG	1
16	824128GT	RUE RING,3/4,ZAG	1
17	1256051GT	WHEEL & TIRE ASSY,LP,15",EXMILE	2
18	1256287GT	SCREW,HHC,1/2-13X3.5,8,ZAG	8
19	1274172GT	NUT,NYLOCK FLG,1/2-13,G,ZAG	8
20		Ref. Drive Motor (refer to 508.1)	
21		Ref. Steer Cylinder (refer to 508.1)	
22	1259193GT	PIN,CLEVIS,3/4X2,ZAG	1
23	1259194GT	CLIP,HAIR PIN,.125X2,.5-.75,ZA	1
24	44780GT	NUT,CASTLE,1.125-18 UNEF	2
25	13635-10GT	PIN,COTTER,.156 X 1.75	2
26	44781GT	KEY,RECTANGULAR,.31X.28X1.25***	2



201.2 Steer Linkage and Wheels (H-drive)

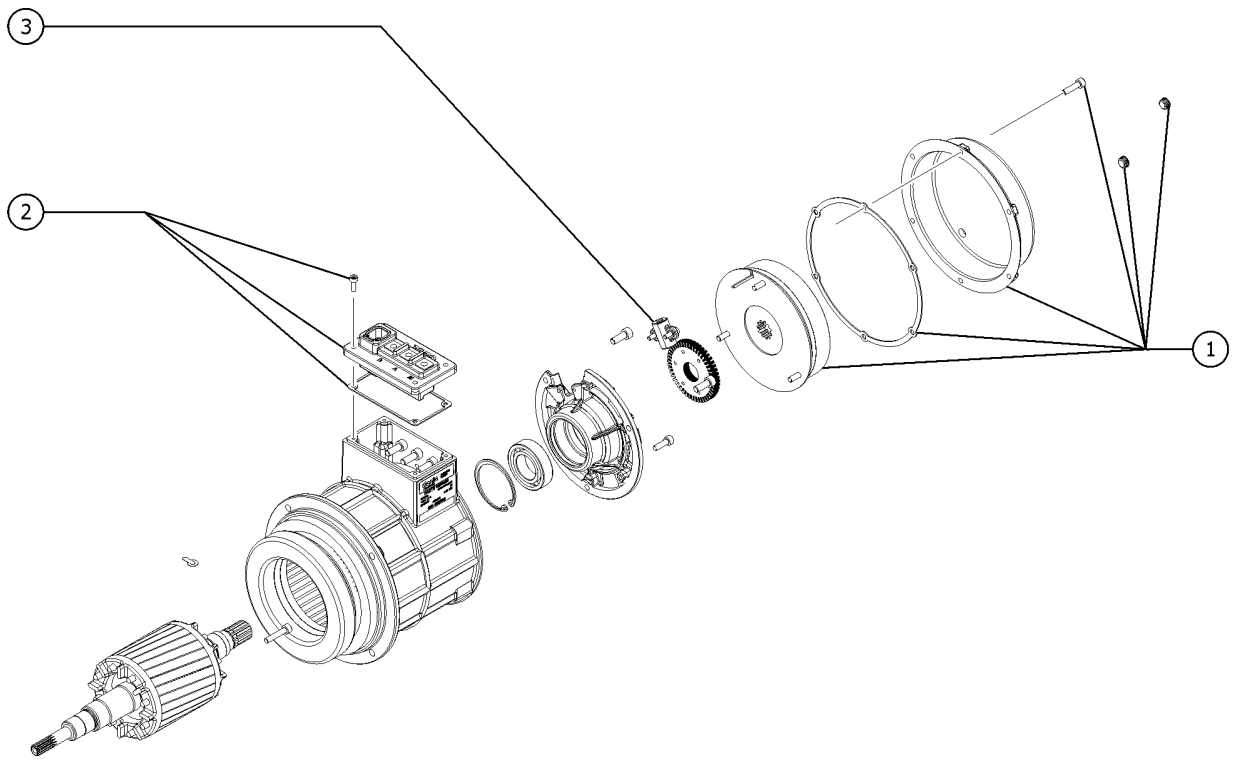


201.2 Steer Linkage and Wheels (H-drive)

<i>Item</i>	<i>Part No.</i>	<i>Description</i>	<i>Qty.</i>
27	1304127GT	WLDMT, STEER YOKE, GS32, RT, H-DRIVE (ground controls side)	1
28	105565GT	WASHER, THRUST, GS	2
29	1259192GT	SCREW, YOKE LOCK, ZAG	
30	1255797GT	BOLT, CARRIAGE, 1/4-20X2,5,ZAG (GS2032, GS2632 only)	1
31	13921GT	ELBOW, 070220-4-4	2



201.3 Drivetrain Motor Service Kits

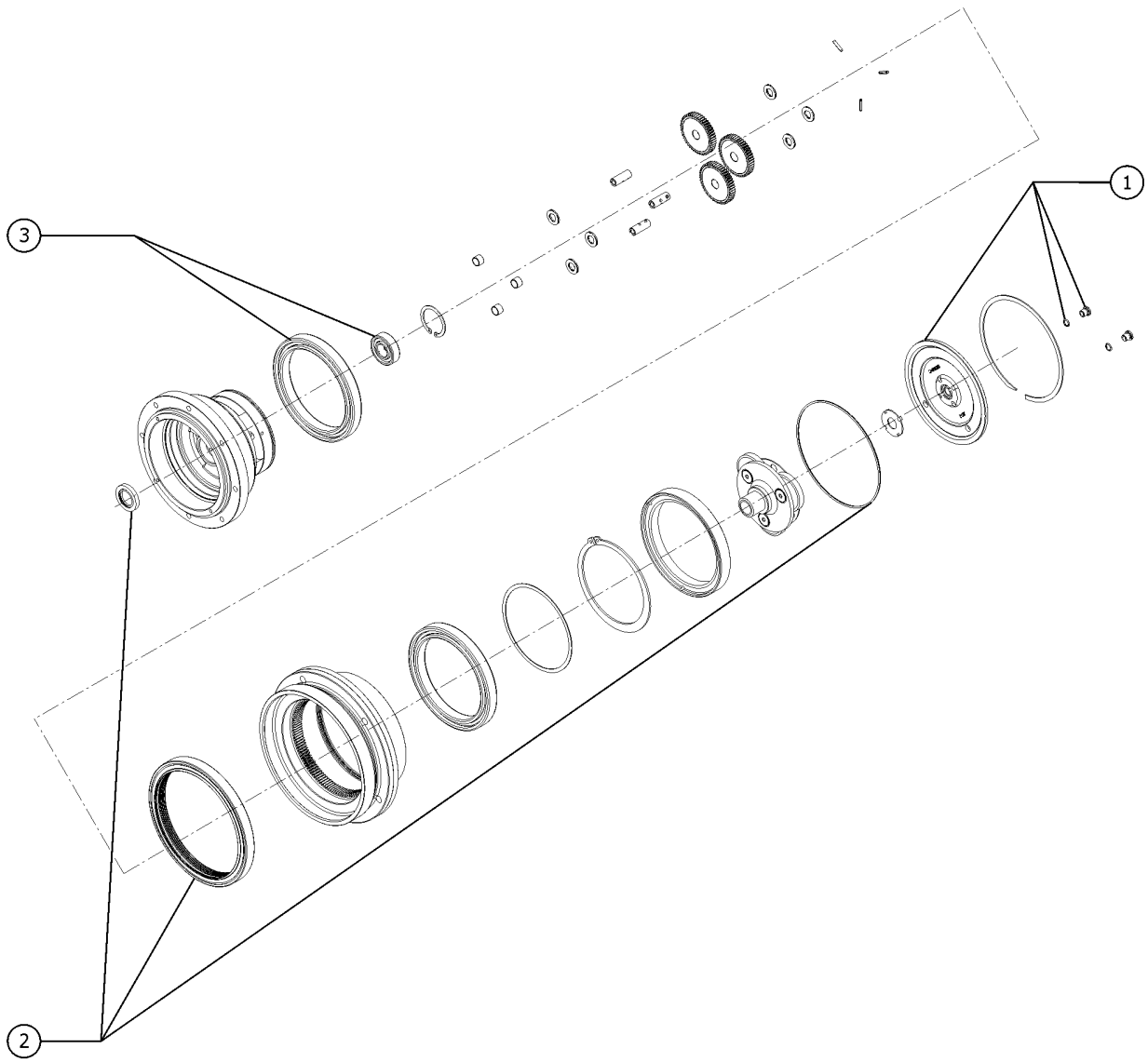


201.3 Drivetrain Motor Service Kits

<i>Item</i>	<i>Part No.</i>	<i>Description</i>	<i>Qty.</i>
1	1313486GT	BRAKE SERVICE KIT WITH COVER	
2	1296209GT	TERMINAL BLOCK SVC KIT	
3	1296211GT	SPEED SENSOR SERVICE KIT (WITH SCREWS & GASKET)	



201.4 Drivetrain Gearbox Service Kits

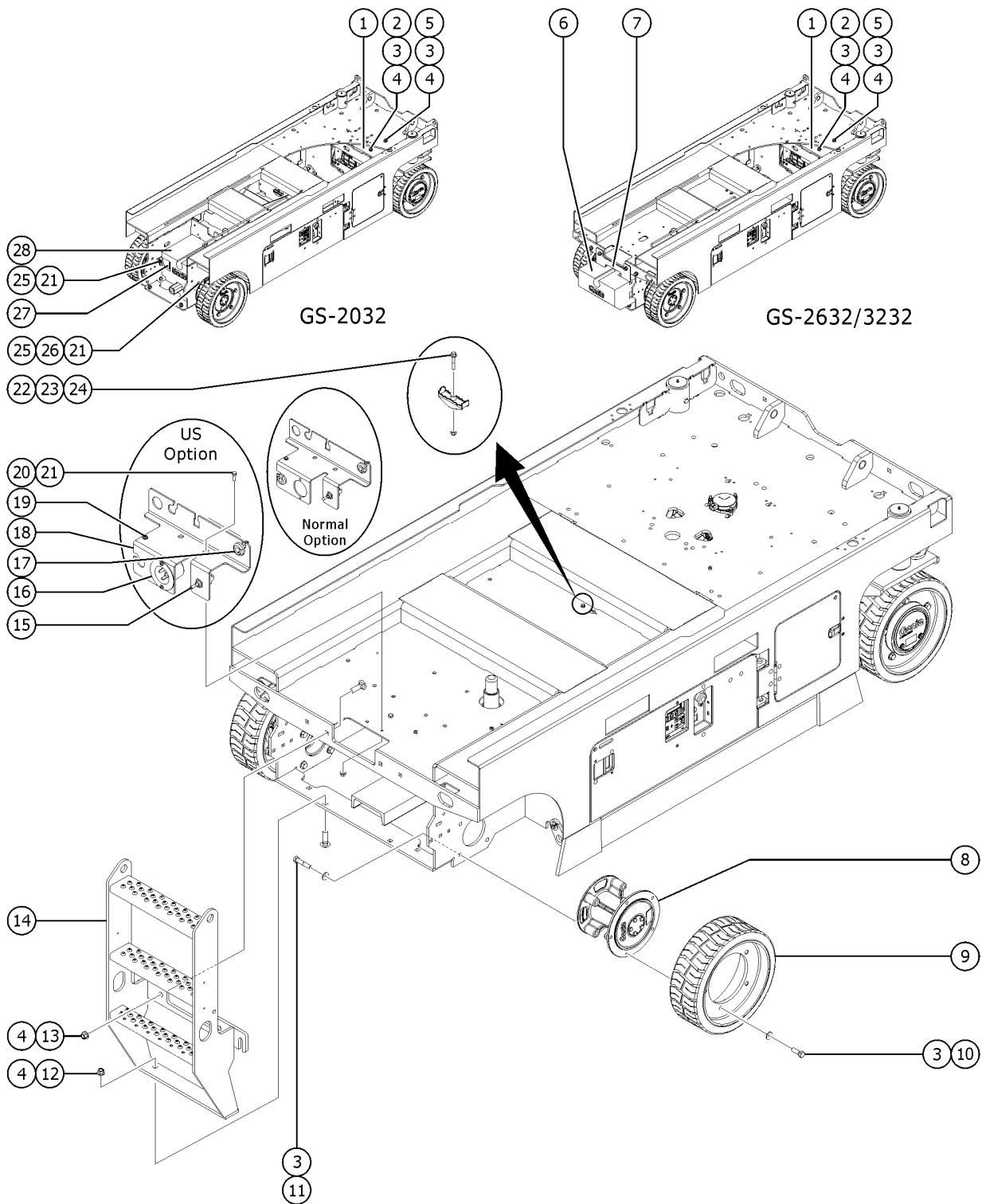


201.4 Drivetrain Gearbox Service Kits

<i>Item</i>	<i>Part No.</i>	<i>Description</i>	<i>Qty.</i>
1	1306954GT	END CAP KITS,DRIVE MOTOR,GS4655	
2	1296218GT	SEAL KIT	
3	1296219GT	BEARING KIT,GEAR BOX	



202.1 Non-steer Axle Installation (E-drive)

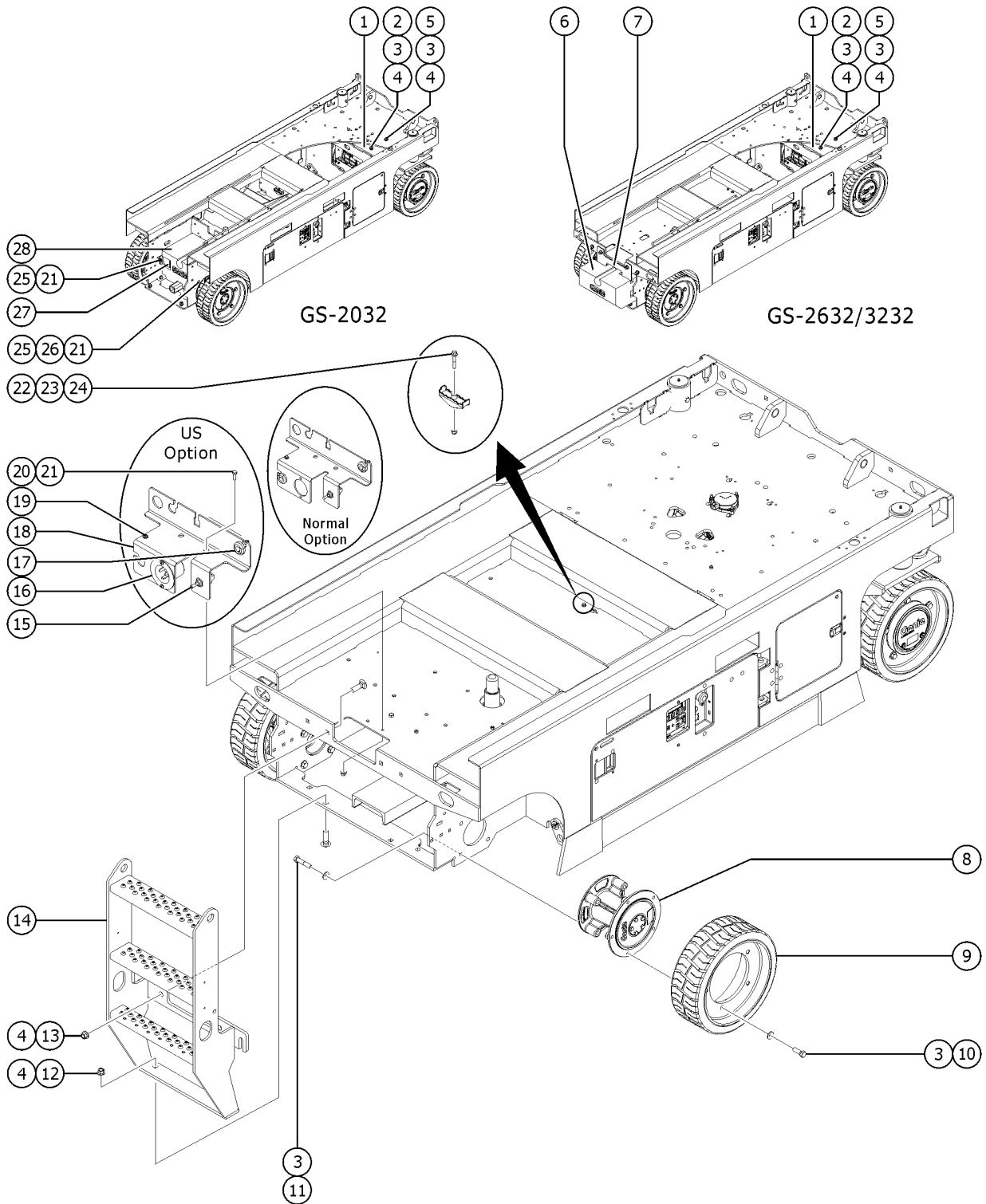


202.1 Non-steer Axle Installation (E-drive)

Item	Part No.	Description	Qty.
1	1301172GT	LARGE COUNTERWEIGHT, FRONT, RIGHT, G32/46 (GS-2032,2632 only)	1
2	1256112GT	SCREW,HHC,1/2-13X6,8,ZAG	1
3	825353GT	WASHER,FLAT,1/2,SAE,HRD,ZAG	
4	1274172GT	NUT,NYLOCK FLG,1/2-13,G,ZAG	
5	1256287GT	SCREW,HHC,1/2-13X3.5,8,ZAG	1
6	1306776GT	COUNTERWEIGHT,REAR-640,GS32 (GS2632,3232 only)	1
7	1306778GT	PLATE,CWT BRKT,GS32 (GS2632,3232 only)	1
8	1300538GT	ASSY,SPINDLE,CHASSIS,LARGE	2
9	1288762GT	WHEEL ,GS4655	2
10	1256844GT	SCREW,HHC,1/2-13X1.5,8,ZAG	10
11	1306174GT	SCREW,HHC,1/2-12X2.75,8,ZAG	8
12	1256179GT	BOLT,CARRIAGE,1/2-13X1.5,5,ZAG	
13	1256115GT	BOLT,CARRIAGE,1/2-13X1.75,5,ZA.	
14	1306366GT	WELDMENT,20XX LADDER (GS2032 only, decals not included refer to section one)	1
14B	1306368GT	WLDMT,GS32/46 LADDER (GS2632,3232 only, decals not included refer to section one)	1
15	128584GT	SWITCH TOGGLE SPDT 2P MNT SHDR	1
16		Ref. Electrical Plugs and Cords (refer to 402.1)	1
17	128118GT	BUSHING,STRAIN RELIEF,.875/.40	2
18	1309158GT	FORMING,PTP REAR BRKT,E-DRIVE	1
19	1306190GT	ASSEMBLY,CHARGER STATUS LED,3V	1
20	824067GT	SCREW,HHC,3/8-16X1,8,ZAG	2
21	1274322GT	NUT,NYLOCK FLG,3/8-16,F,ZAG	
22	824081GT	SCREW,HHF,1/4-20X1.5,8,ZAG	1
23	105209GT	CLAMP,CABLE & HOSE	1
24	6091GT	NUT, NYLOCK, 1/4-20	1
25	1255757GT	BOLT,CARRIAGE,3/8-16X1.25,5,ZAG	
26	1304862GT	FORMING,CWT LIMIT,RT (GS2032 only)	1
27	1304861GT	FORMING,CWT LIMIT,LF (GS2032 only)	1



202.1 Non-steer Axle Installation (E-drive)

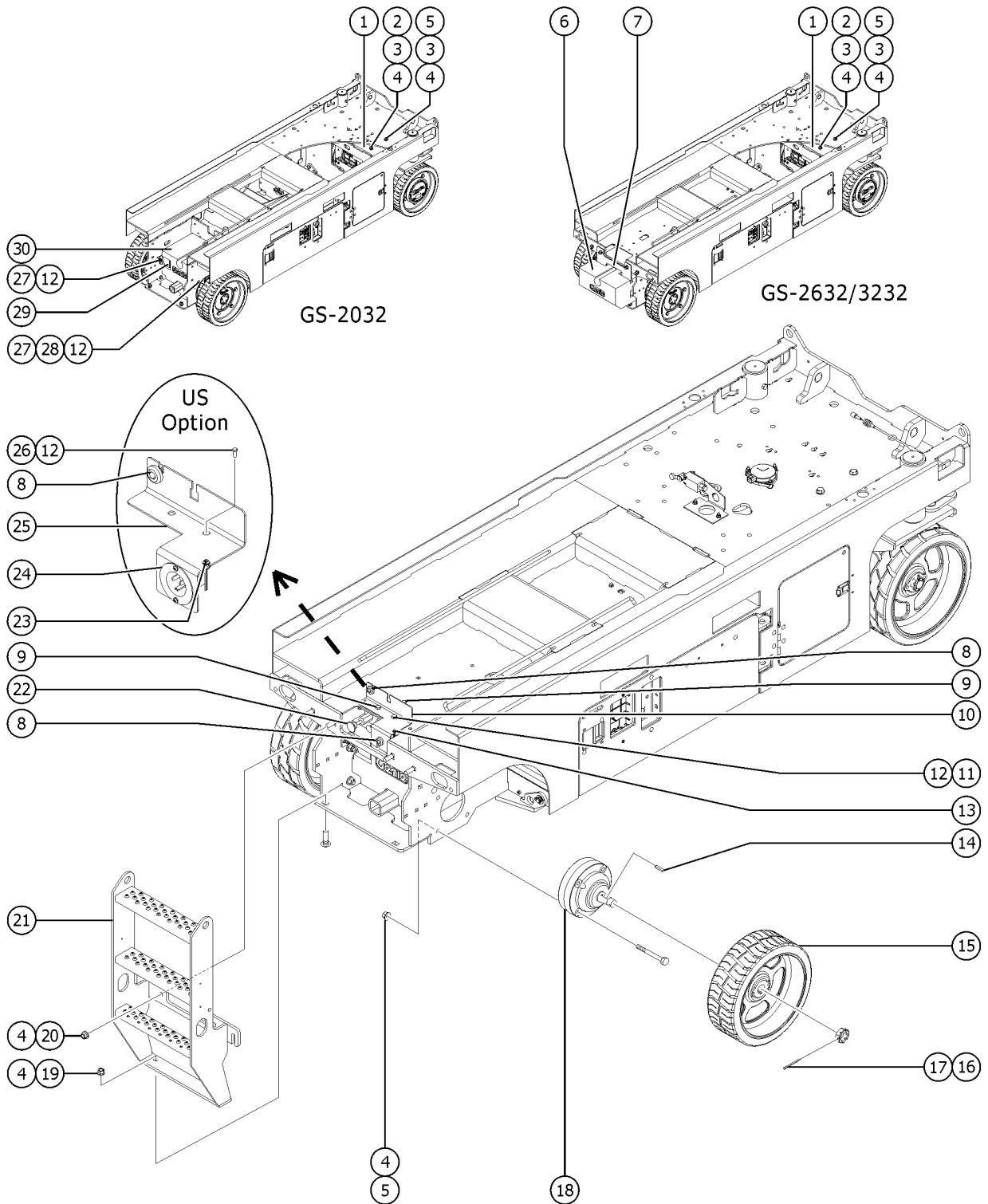


202.1 Non-steer Axle Installation (E-drive)

<i>Item</i>	<i>Part No.</i>	<i>Description</i>	<i>Qty.</i>
28	1304831GT	COUNTER WEIGHT,REAR-300,GS32 (GS2032 only)	1



202.2 Non-steer Axle Installation and Counweight (H-drive)

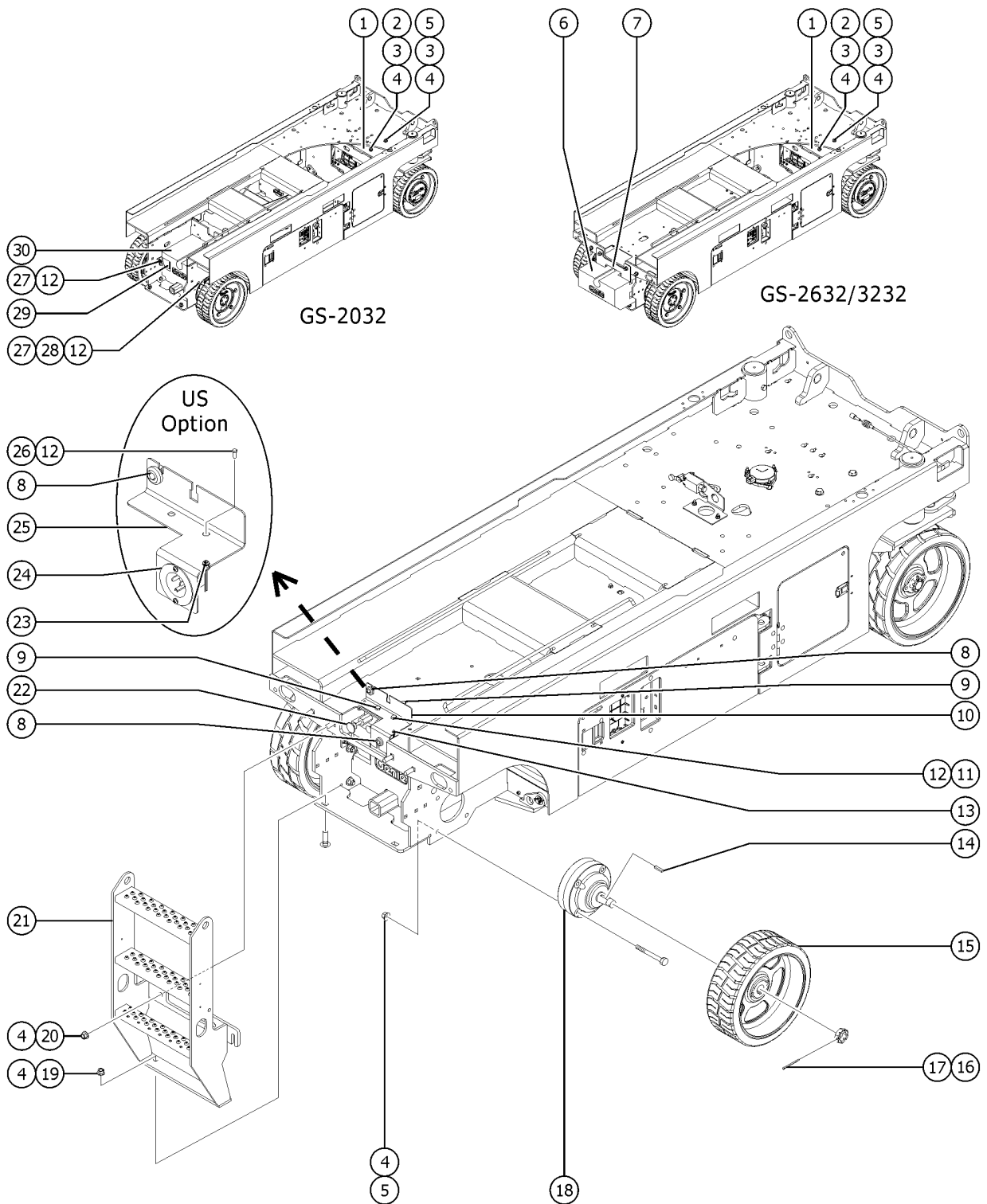


202.2 Non-steer Axle Installation and Counweight (H-drive)

Item	Part No.	Description	Qty.
1	1301172GT	LARGE COUNTERWEIGHT, FRONT, RIGHT, G32/46 (GS-2032,2632 only)	1
2	1256112GT	SCREW,HHC,1/2-13X6,8,ZAG	1
3	825353GT	WASHER,FLAT,1/2,SAE,HRD,ZAG	2
4	1274172GT	NUT,NYLOCK FLG,1/2-13,G,ZAG	
5	1256287GT	SCREW,HHC,1/2-13X3.5,8,ZAG	1
6	1306776GT	COUNTERWEIGHT,REAR-640,GS32 (GS2632,3232 only)	1
7	1306778GT	PLATE,CWT BRKT,GS32 (GS2632,3232 only)	1
8	128118GT	BUSHING,STRAIN RELIEF,.875/.40	2
9	1256109GT	SCREW,HHC,3/8-16X.75,8,ZAG	2
10	132614GT	FORMING, ALT. PLUG BRKT	1
11	824068GT	SCREW,HHC,3/8-16X1,8,ZAG	1
12	1274322GT	NUT,NYLOCK FLG,3/8-16,F,ZAG	
13	1306190GT	ASSEMBLY,CHARGER STATUS LED,3V	1
14	44781GT	KEY,RECTANGULAR,.31X.28X1.25**	2
15	1256051GT	WHEEL & TIRE ASSY,LP,15",EXMILE	2
16	42079GT	PIN,COTTER,.156 X 2.5	2
17	44780GT	NUT,CASTLE,1.125-18 UNEF	2
18		Ref. Hydraulic Brake (refer to 501.2)	
19	1256179GT	BOLT,CARRIAGE,1/2-13X1.5,5,ZAG	2
20	1256115GT	BOLT,CARRIAGE,1/2-13X1.75,5,ZA.	2
21	1306366GT	WELDMENT,20XX LADDER (GS2032 only, decals not included refer to section one)	1
21B	1306368GT	WLDMT,GS32/46 LADDER (GS2632,3232 only, decals not included refer to section one)	1
22		Ref. Brake Release Manifold (refer to 508.1)	
23	1306190GT	ASSEMBLY,CHARGER STATUS LED,3V	1
24		Ref. Electrical Plugs and Cords (refer to 402.1)	
25	1282153GT	FORMING,REC.PLUG BRKT,METRIC (US Plug option)	1
26	824067GT	SCREW,HHC,3/8-16X1,8,ZAG	2
27	1255757GT	BOLT,CARRIAGE,3/8-16X1.25,5,ZAG	2



202.2 Non-steer Axle Installation and Counweight (H-drive)

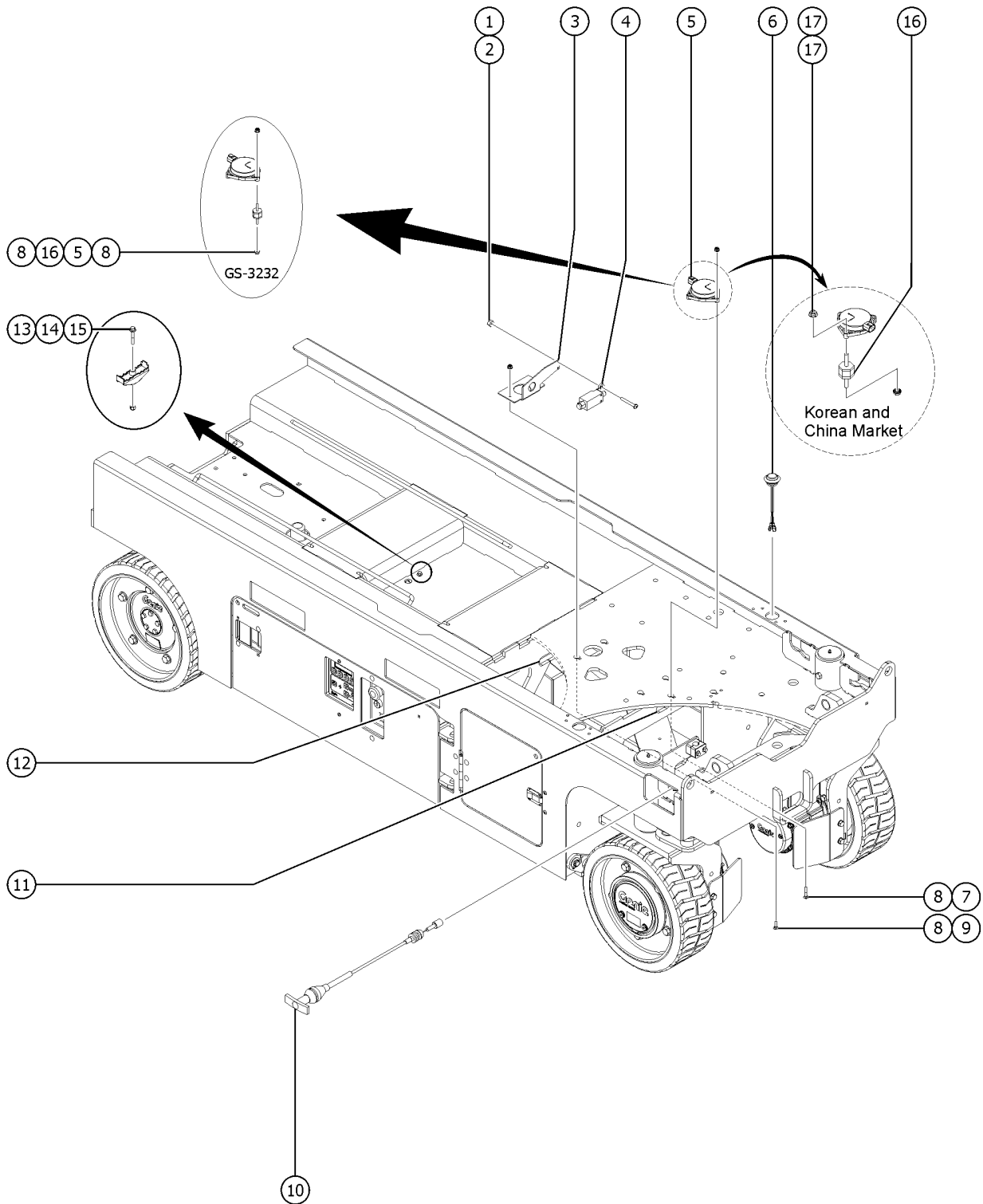


202.2 Non-steer Axle Installation and Counweight (H-drive)

<i>Item</i>	<i>Part No.</i>	<i>Description</i>	<i>Qty.</i>
28	1304862GT	FORMING,CWT LIMIT,RT (GS2032 only)	1
29	1304861GT	FORMING,CWT LIMIT,LF (GS2032 only)	1
30	1304831GT	COUNTER WEIGHT,REAR-300,GS32 (GS2032 only)	1



203.1 Level Sensor Installation

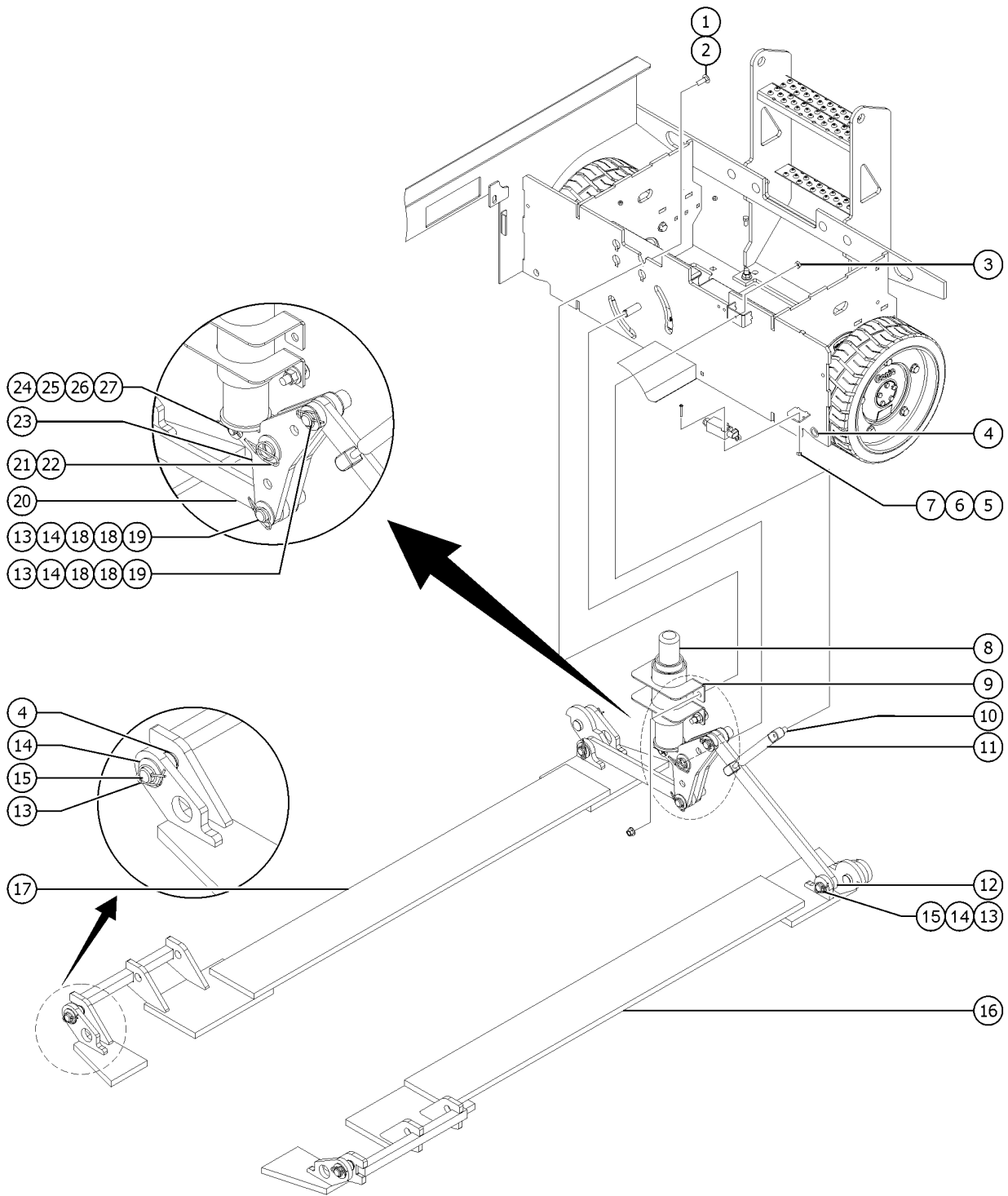


203.1 Level Sensor Installation

Item	Part No.	Description	Qty.
1	824216GT	SCREW, PHPM, 10-32 X 1.5, ZAG	1
2	1274168GT	NUT, NYLOCK, 10-32, A, ZAG	1
3	1299642GT	LIMIT SWITCH BRACKET, LARGE	1
4	1308286GT	ASSEMBLY, DOWN LIMIT, GS46 (Includes plug)	1
4-	19491GT	CONTACTOR, LIMIT SWITCH	
4-	96948GT	SWITCH, LIMIT, W/ROLLER ARM***	
4-	97128GT	ROLLER ARM, LIMIT SWITCH***	
5	823368GT	SENSOR, LEVEL, UNIVERSAL	1
6	1261183GT	ASSEMBLY, VISUAL IND LIGHT (Optional)	2
7	1255756GT	BOLT, CARRIAGE, 1/4-20X1.5, 5, ZAG	3
8	1277924GT	NUT, NYLOCK FLG, 1/4-20, F, ZAG	5
9	1256127GT	BOLT, CARRIAGE, 1/4-20X1", GR 5, ZAG	2
10	39232GT	CABLE, EMERGENCY DOWN	1
11	47238GT	GROMMET, RUBBER 1.5 ID	1
12	105440GT	GROMMET, RUBBER 2.5 X 3.0	1
13	824081GT	SCREW, HHF, 1/4-20X1.5, 8, ZAG	1
14	105209GT	CLAMP, CABLE & HOSE	1
15	6091GT	NUT, NYLOCK, 1/4-20	1
16	1301073GT	ISOLATOR, 1/4 THRD, HEX Korean and China Market	3
17	1256679GT	NUT, SERRATED, 1/4-20, 8, ZAG Korean and China Market	6



204.1 Pothole Protection Assembly

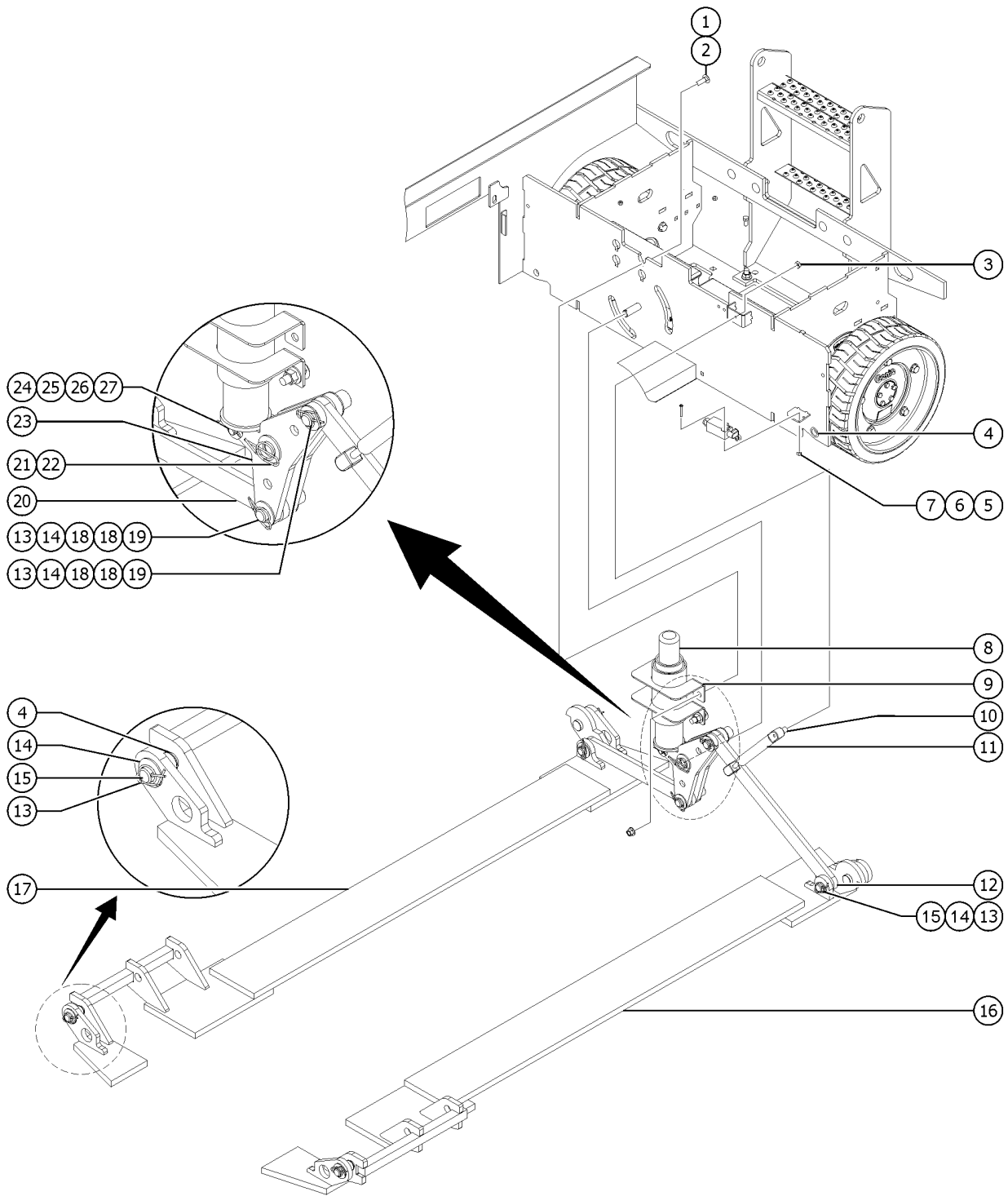


204.1 Pothole Protection Assembly

Item	Part No.	Description	Qty.
--	1300747GT	ASSY,POTHOLE SYSTEM,GS2032/2632 (GS2032,GS2632 only)	
--	1299048GT	ASSY, POTHOLE SYSTEM, GS3232,E-DRIVE (GS3232 only)	
1	1255757GT	BOLT,CARRIAGE,3/8-16X1.25,5,ZAG	4
2	1274322GT	NUT,NYLOCK FLG,3/8-16,F,ZAG	4
3	824038GT	NUT, TL JAM, 3/8-16, A, ZAG	1
4	105156GT	BUSHING, FLNGD, .63 X .77 X .38	2
5	824216GT	SCREW, PHPM, 10-32 X 1.5, ZAG	2
6	96948GT	SWITCH, LIMIT, W/ROLLER ARM*** (down limit switch)	1
6-	19491GT	CONTACTOR,LIMIT SWITCH	
6-	97128GT	ROLLER ARM,LIMIT SWITCH***	
7	1274168GT	NUT,NYLOCK,10-32,A,ZAG	2
8	1300036GT	ASSY,POT HOLE PUSHER	1
9	1300053GT	WLDMT/ASSY,PH GUIDE,E-DRIVE	1
9-	1300540GT	BEARING,2.03IDX2.25ODX1.00L	
10	78086GT	BALL STUD, GAS STRUT, 3/8-16	2
11	39542GT	GAS SHOCK, SCISSORS***	1
12	1300729GT	PLATE,POTHOLE LINK	1
13	1259177GT	RUE RING,5/8,ZAG	
14	1259180GT	WASHER,SHIM,.625X1.188X.064,ZAG	
15	1259197GT	PIN,CLEVIS,.625X1.88,ZAG	
16	1300620GT	WELDMENT,POTHOLE,LEFT SIDE (GS2032,GS2632 only)	1
16B	1300742GT	WELDMENT, POTHOLE, LT,OR (GS3232 only)	1
17	1300619GT	WELDMENT,POTHOLE,RIGHT SIDE (GS2032,GS2632 only)	1
17B	1300741GT	WELDMENT, POTHOLE, RT,OR (GS3232 only)	1
18	96085GT	WASHER, THRUST, .63 X 1.13 X .06	4
19	1259179GT	PIN,CLEVIS,.625X1.79,ZAG	2
20	1300025GT	PLATE,POTHOLE LINK	1
21	824128GT	RUE RING,3/4,ZAG	1



204.1 Pothole Protection Assembly

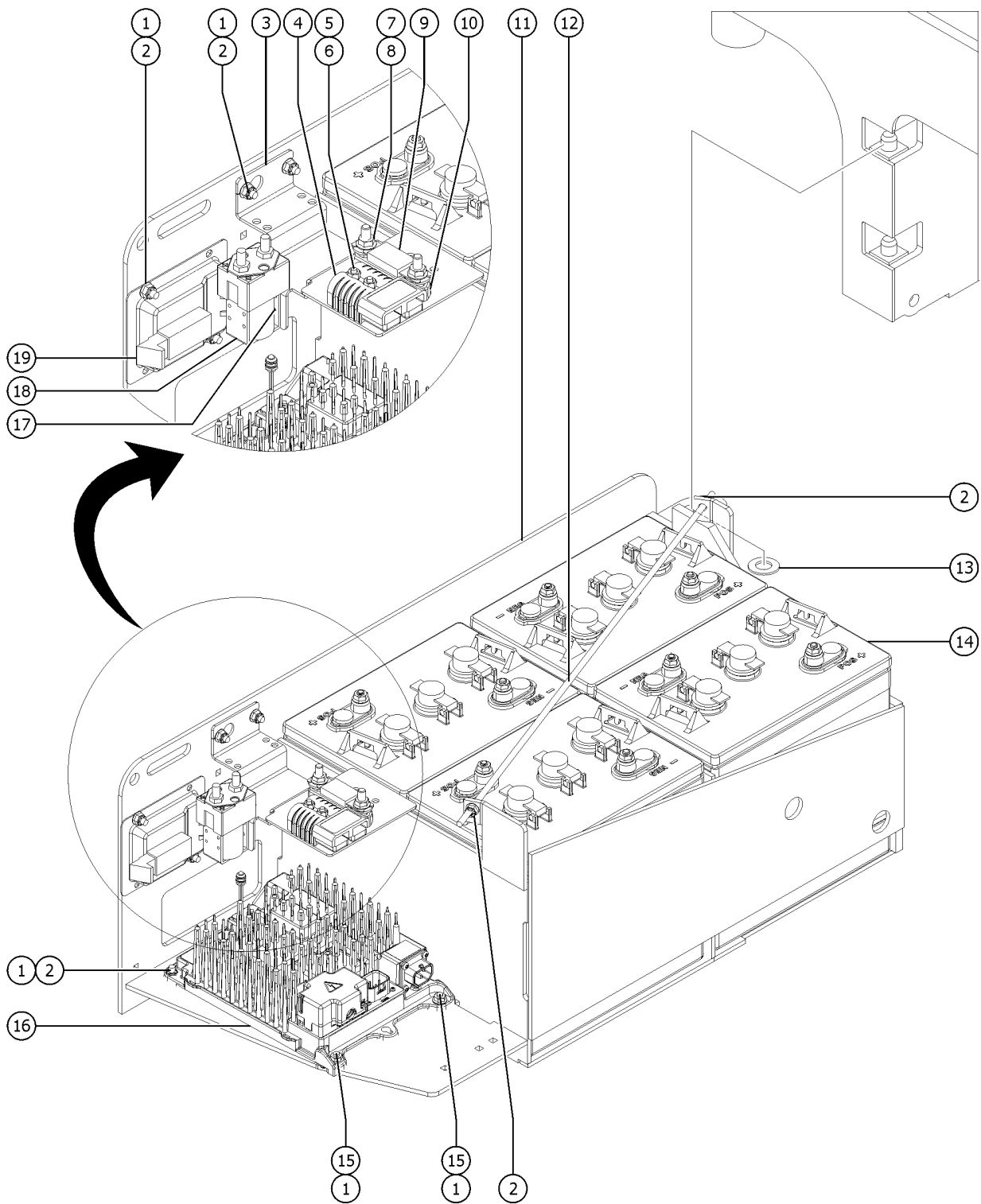


204.1 Pothole Protection Assembly

<i>Item</i>	<i>Part No.</i>	<i>Description</i>	<i>Qty.</i>
22	1259686GT	WASHER,FLAT,.765X1.312X.093,ZA	1
23	1300029GT	WLDMT/ASSY,PH BELLCRANK LINK	1
23-	105720GT	BUSHING, FLANGED, .75 X 1 X 1.38	
24	1303148GT	RUE RING,3/8,ZAG	1
25	825358GT	WASHER,FLAT,5/16,USS,ZAG	1
26	1259178GT	PIN,CLEVIS,.375X1.75,ZAG	1
27	96541GT	CAM FOLLOWER, 1.125 X .375, DELRIN	1



205.1 Battery Pack Module (E-drive)

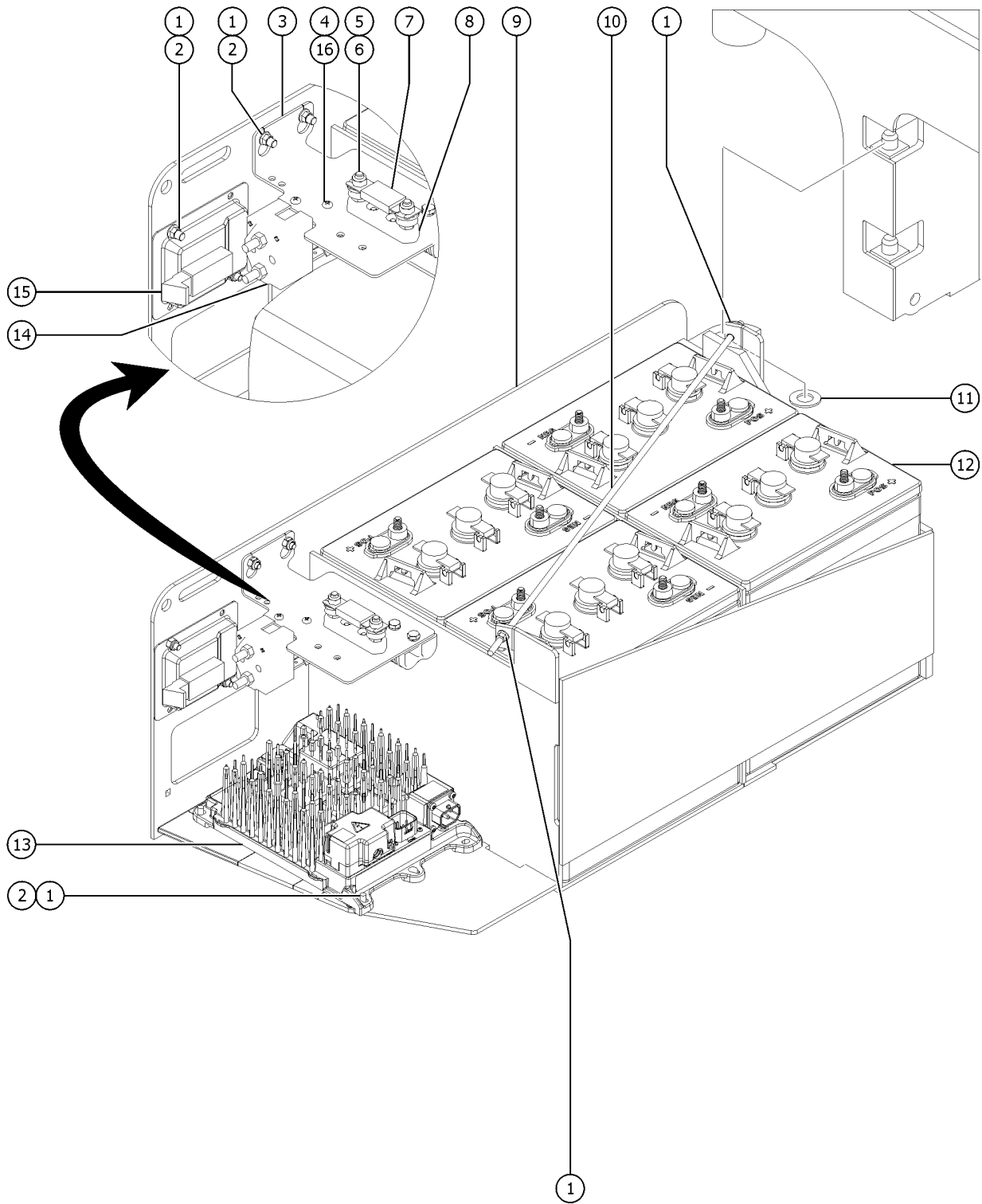


205.1 Battery Pack Module (E-drive)

Item	Part No.	Description	Qty.
1	824124GT	BOLT, CARRIAGE, 1/4-20 X .75, 5, ZAG	
2	1277924GT	NUT,NYLOCK FLG,1/4-20,F,ZAG	
3	1290574GT	FORMING,CONTACTOR/FUSE BRACKET	1
4	1288481GT	QUICK DISCONNECT CASING, BATT SB120	1
5	825352GT	SCREW,PHPM,10-32X1.25,ZAG	2
6	1274168GT	NUT,NYLOCK,10-32,A,ZAG	2
7	1255805GT	NUT,SERRATED,5/16-18,8,ZAG	2
8	825358GT	WASHER,FLAT,5/16,USS,ZAG	2
9	40833GT	FUSE, 275AMP, VERY FAST ACTING	1
10	66717GT	FUSE BLOCK, ANN & ANL FUSE	1
		(includes mounting fasteners)	
11		Ref. Battery Tray	1
		(refer to 602.1)	
12	30784-2550GT	THREADED ROD, (1/4-20), 25.50	1
13	1256863GT	WASHER,FLAT,.75,F436,HRD,ZAG	2
14	1299390GT	BATT,6V,210AH T605 LPT\3CAP	4
14B	1303590GT	BATTERY 6V,220AH,VRLA,GC6	4
		(discover option)	
15	1256679GT	NUT,SERRATED,1/4-20,8,ZAG	2
16		Ref. Battery Charger	1
		(refer to 206.1)	
17	1257402GT	SCREW,PHPM,6-32X.25,ZAG	
18	1304130GT	CONTACTOR,24V,80A,SPST,SEAL,UNBRANDED	1
19	55675GT	LATCH, LRG PADDLE HANDLE GS90	1



205.2 Battery Pack Module (H-drive)

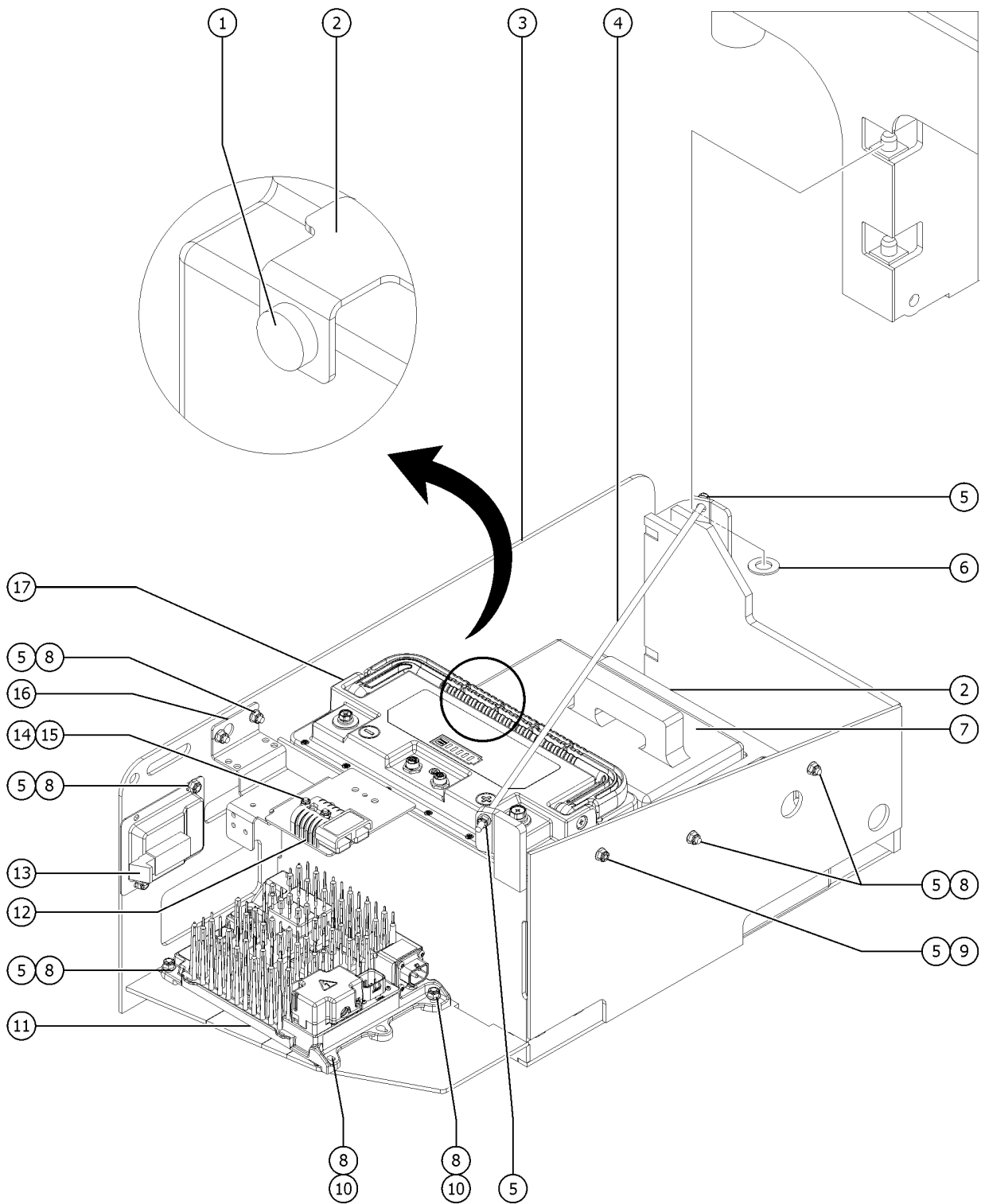


205.2 Battery Pack Module (H-drive)

Item	Part No.	Description	Qty.
1	824027GT	NUT, TL FLG, 1/4-20, G, ZAG	10
2	824124GT	BOLT, CARRIAGE, 1/4-20 X .75, 5, ZAG	8
3	1282144GT	FORMING, CONTACTOR/FUSE BRACKET,METRIC	1
4	825349GT	SCREW,PHPM,10-32X.38,ZAG	2
5	13000GT	SCREW,HHC,5/16-18 X 1.25	2
6	1255805GT	NUT,SERRATED,5/16-18,8,ZAG	2
7	40833GT	FUSE, 275AMP, VERY FAST ACTING	1
8	66717GT	FUSE BLOCK, ANN & ANL FUSE	1
9		(includes mounting fasteners) Ref. Battery Tray	1
9		(refer to 602.1)	
10	30784-2550GT	THREADED ROD, (1/4-20), 25.50	1
11	1256863GT	WASHER,FLAT,.75,F436,HRD,ZAG	2
12	76494GT	BATT,6V,225AH T105 LPT\3CAP	4
12-	1255805GT	NUT,SERRATED,5/16-18,8,ZAG	
12-	137769GT	BATTERY WATERING HAND PUMP	
12-	137770GT	BATTERY WATERING KIT,24V UNIV	
		(to watch the installation video, copy and paste this link to your web browser) https://www.youtube.com/watch?v=13zTfl-hWik	
12B	1263152GT	FULLRIVER BATT,DC224-6,6V,224AH,GS3246 AGM	4
12B-	137769GT	BATTERY WATERING HAND PUMP	
12B-	137770GT	BATTERY WATERING KIT,24V UNIV	
		(to watch the installation video, copy and paste this link to your web browser) https://www.youtube.com/watch?v=13zTfl-hWik	
12C	1257609GT	BATTERY,6V,240AH,T125,LPT\3CAP	4
13		Ref. Battery Charger	
		(refer to 206.1)	
14	1270457GT	CONTACTOR, DRIVE, 24V, 180A UNBRANDED	1
15	55675GT	LATCH, LRG PADDLE HANDLE GS90	1
16	160414GT	GS3246_GB/T 93,SPRING WASHER,D5	2



205.3 Battery Pack Module (Li Option)

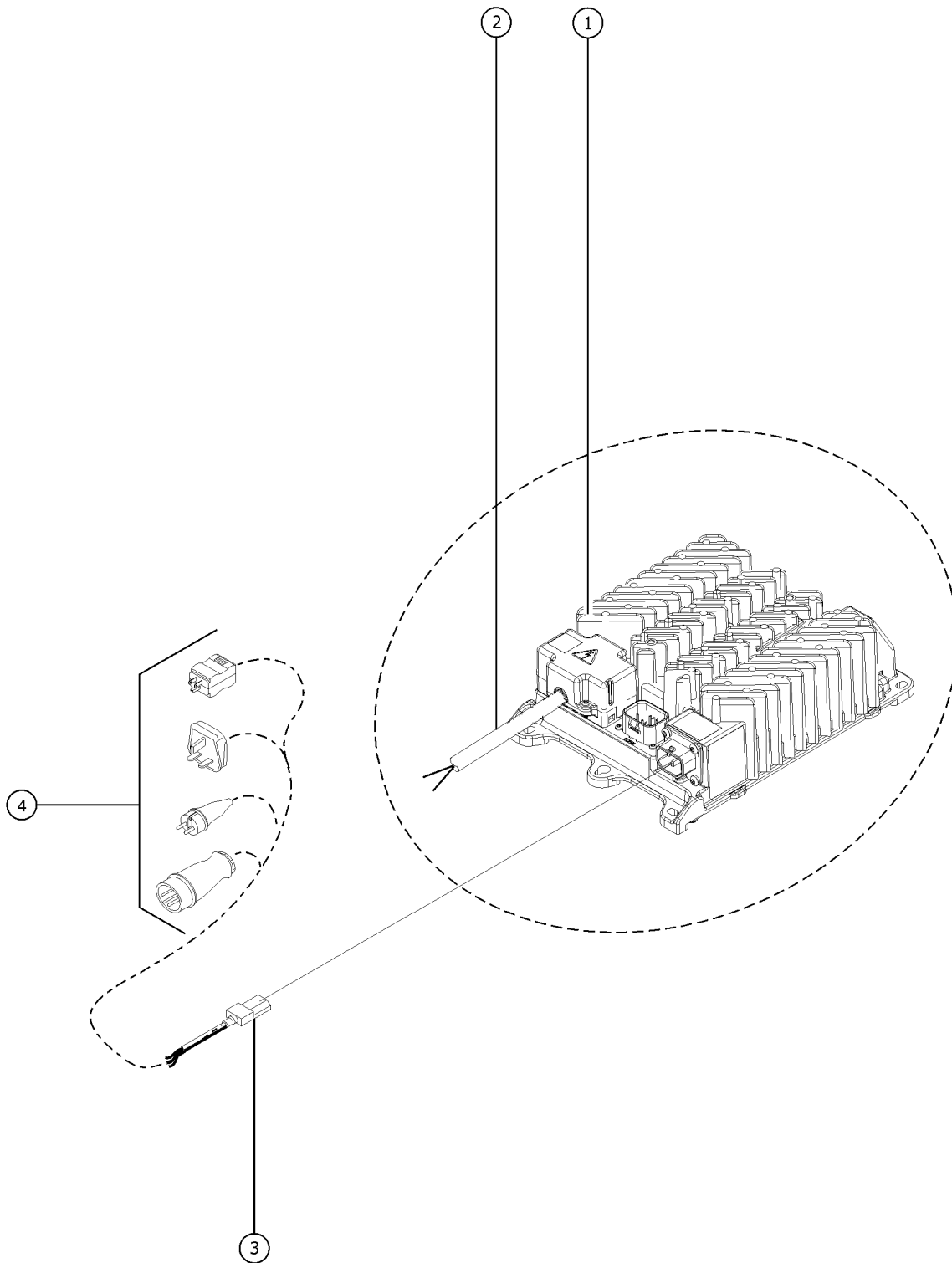


205.3 Battery Pack Module (Li Option)

Item	Part No.	Description	Qty.
1	43392GT	BUMPER,BATTERY BOX & RAILS	2
2	1306284GT	FORMING, COUNTERWEIGHT HOLD DOWN	1
3		Ref. Battery Tray	1
		(refer to 602.1)	
4	30784-2550GT	THREADED ROD, (1/4-20), 25.50	1
5	1277924GT	NUT,NYLOCK FLG,1/4-20,F,ZAG	
6	1256863GT	WASHER,FLAT,.75,F436,HRD,ZAG	2
7	1305108GT	COUNTERWEIGHT,CAST,BATTERY TRAY	1
8	824124GT	BOLT, CARRIAGE, 1/4-20 X .75, 5, ZAG	
9	26785GT	BUMPER,RUBBER	1
10	1256679GT	NUT,SERRATED,1/4-20,8,ZAG	2
11		Ref. Battery Charger	
		(refer to 206.1)	
12	1288481GT	QUICK DISCONNECT CASING, BATT SB120	1
13	55675GT	LATCH, LRG PADDLE HANDLE GS90	1
14	825352GT	SCREW,PHPM,10-32X1.25,ZAG	2
15	1274168GT	NUT,NYLOCK,10-32,A,ZAG	2
16	1290574GT	FORMING,CONTACTOR/FUSE BRACKET	1
17	1305193GT	BATTERY,24V,90AH,LFP,TRACTION,M10	1



206.1 Battery Charger

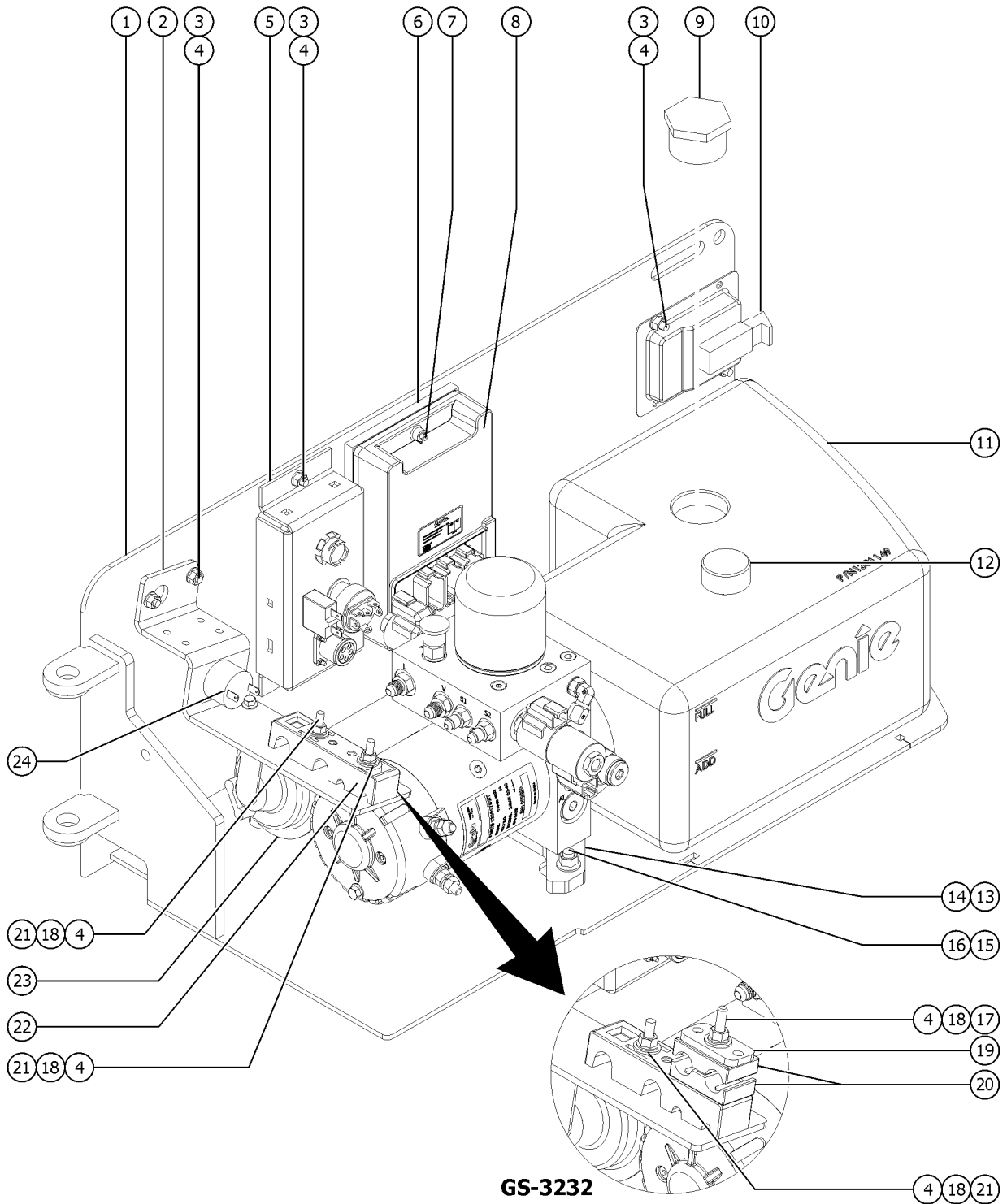


206.1 Battery Charger

Item	Part No.	Description	Qty.
1	1272232GT	CHARGER,24V,650W,USB	1
1-	1272557GT	POWER CORD,IEC 320,90 DEG power supply cord (ANSI/CSA models)	
1-	1272844GT	CABLE,CHARGER, DC, W/ BTS for AGM 'maintenance free' batteries	
1-	1279428GT	KIT, DC BLOCK ASSEMBLY	
1-	1288499GT	HARNESS,CHARGER EXTENSION 30DC	
1-	1288500GT	CABLE ASSY. CHARGER/BATTERY 30DC for standard 'flooded' batteries	
2		Ref. CABLE ASSY,CHARGER/BATTERY (refer to 210.1)	
3	1272557GT	POWER CORD,IEC 320,90 DEG	1
4		Ref. PLUG, ELECTRICAL	
		(refer to 402.1)	



207.1 Power Unit Module (E-drive)



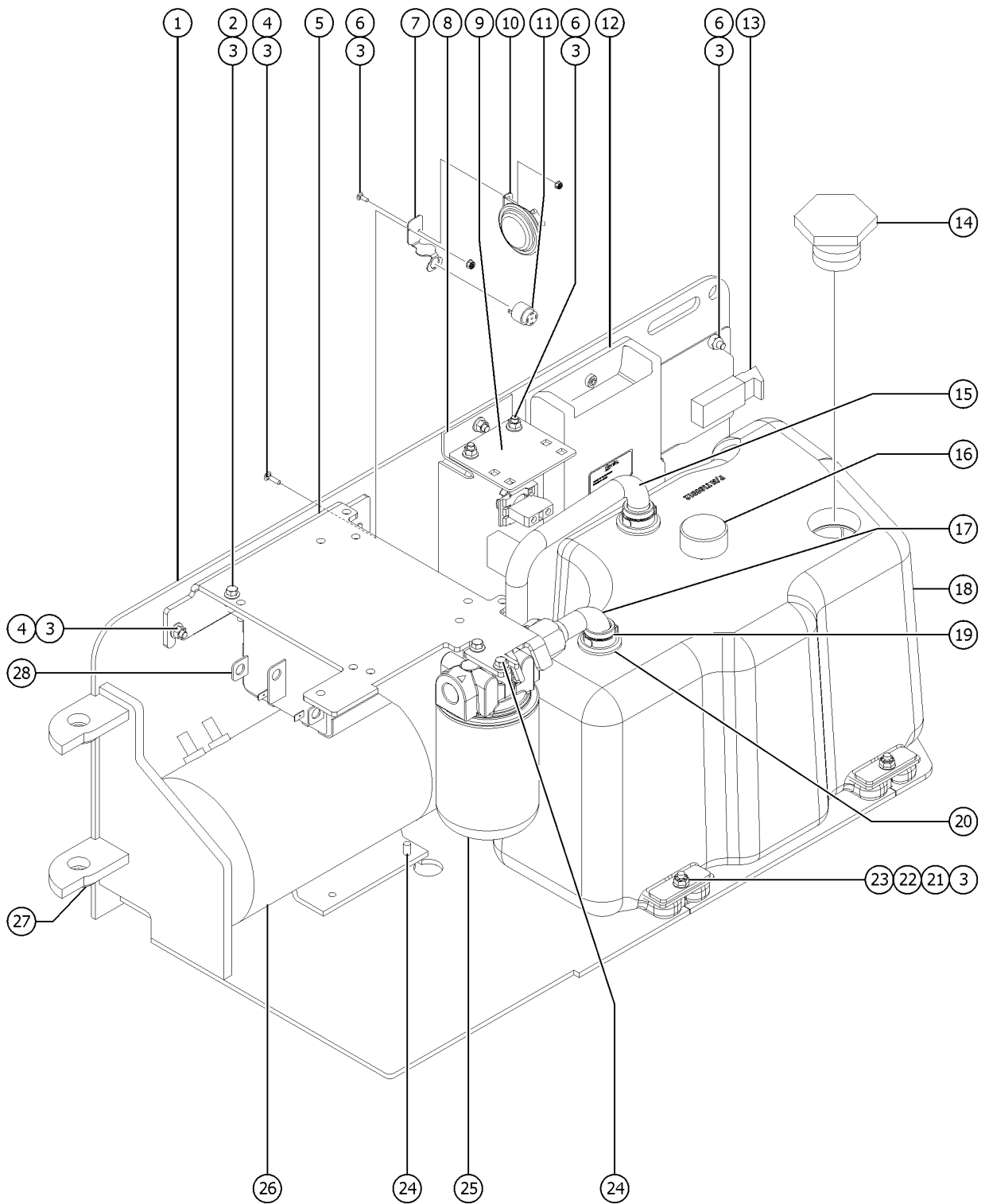
GS-3232

207.1 Power Unit Module (E-drive)

Item	Part No.	Description	Qty.
1	1298923GT	WELDMENT, HYDRAULIC TRAY, E-DRIVE	1
2	1303364GT	FORMING, BRACKET, HYD HOSE CLAMP	1
3	824124GT	BOLT, CARRIAGE, 1/4-20 X .75, 5, ZAG	
4	1277924GT	NUT,NYLOCK FLG,1/4-20,F,ZAG	
5	1284781GT	FORMING,CONTROL PANEL,TECH PRO,METRIC	1
6	1252764GT	SPACER, GROUND CONTROL ECU	1
7	51063GT	SCREW,PHILLIPS,RHM,10-32 X 1.5	1
8		Ref. GCON, GR/GRC/GS	
		(refer to 208.1)	
9	66204GT	FILTER CAP (PLUG 1-1/2" NPT HEX	1
10	55675GT	LATCH, LRG PADDLE HANDLE GS90	1
11	1308895GT	POWER UNIT,MID SLAB	1
		GS2032,2632 only	
11B	1308894GT	POWER UNIT,GS3232,E-DRIVE	1
		GS3232 only	
12	78546GT	BREATHER CAP, HYD. TANK, 1/4 NPT	1
13	1287951GT	PLATE, POWER UNIT MOUNT	1
14	1260703GT	SCREW,FHS,3/8-16X1,F835,ZAG	2
15	1255757GT	BOLT,CARRIAGE,3/8-16X1.25,5,ZAG	2
16	1274322GT	NUT,NYLOCK FLG,3/8-16,F,ZAG	2
17	96903GT	BOLT,CARRIAGE,1/4-20 X 3.50,G2	1
		(GS-3232 only)	
18	824113GT	WASHER,FLAT,USS,1/4,ZAG	2
19	132119GT	PLATE,HOSE ROUTING,BULKHEAD *	1
		(GS-3232 only)	
20	78736GT	CLAMP, 2 HOSE, PLASTIC, 5/8	2
		(GS-3232 only)	
21	1255797GT	BOLT,CARRIAGE,1/4-20X2,5,ZAG	1
		(GS-2032 and GS-2632 only)	
22	1304152GT	CLAMP, HOSE, HYD TRAY	1
23	234922GT	HORN OPTION,SLAB	1
24	39540GT	ALARM,STEADY TONE***	1
24-	72326GT	NUT,PLASTIC,RING FOR ALARMS	1
		for 39540	
24B	1313257GT	WHITE NOISE ALARM 24VDC	1
		White noise alarm option	



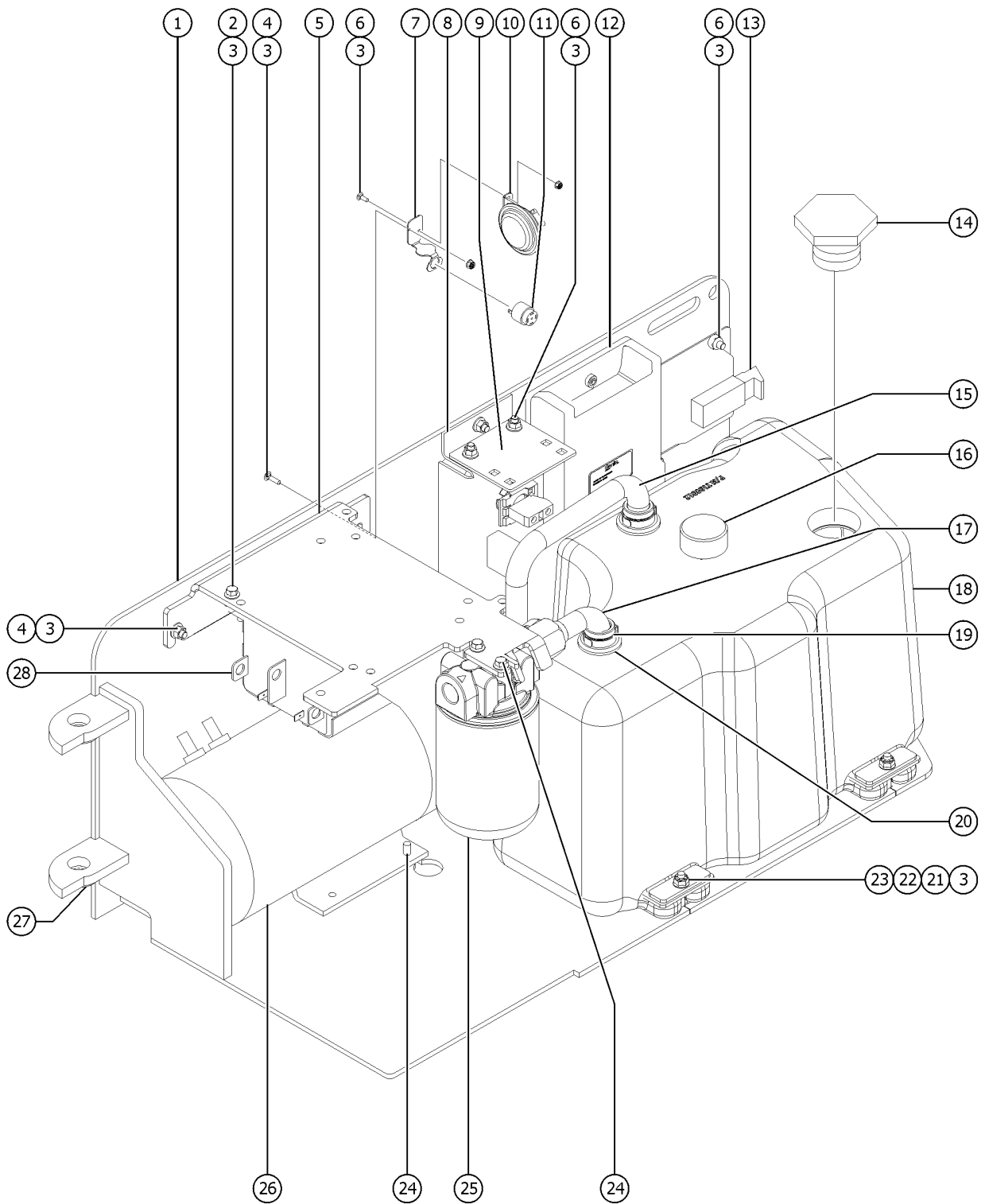
207.2 Power Unit Module (H-drive)



Item	Part No.	Description	Qty.
1	132901GT	ASSY, GS HYDRAULIC TRAY	1
1-	227166GT	WELDMENT, GS HYD TRAY, MET (decals not included, refer to section one)	1
2	824080GT	SCREW,HHF,1/4-20X1.25,8,ZAG	
3	1277924GT	NUT,NYLOCK FLG,1/4-20,F,ZAG	
4	1256127GT	BOLT,CARRIAGE,1/4-20X1",GR 5,ZAG	
5	1273016GT	FORMING, FILTER-CNTRLR MOUNT	1
6	824124GT	BOLT, CARRIAGE, 1/4-20 X .75, 5, ZAG	
7	1306182GT	FORMING, ALARM MOUNT BRACKET	1
8		Ref. FORMING, CONTROL PANEL	
		(refer to 208.1)	
9	227164GT	GS3246_PLATE, HARNESS MOUNT, MET	1
10	1311282GT	HORN,24VDC,SPADE TERMINALS	1
11	39540GT	ALARM,STEADY TONE***	1
11B	1313257GT	WHITE NOISE ALARM 24VDC	1
		White noise alarm option	
12		Ref. GCON, GR/GRC/GS	
		(refer to 208.1)	
13	55675GT	LATCH, LRG PADDLE HANDLE GS90	1
14	66204GT	FILTER CAP (PLUG 1-1/2" NPT HEX	1
15	1270598GT	TUBE, ASSY, DRAW	1
15-	1270600GT	TUBE, SLAB RETURN ASSEMBLY	
15-	1273016GT	FORMING, FILTER-CNTRLR MOUNT	
16	78546GT	BREATHER CAP, HYD. TANK, 1/4 NPT	1
17	1270600GT	TUBE, SLAB RETURN ASSEMBLY	
18	226163GT	HYD. TANK KIT, GS30,32,46	1
		(includes items 15 and 16)	
18-	T109012GT	TANK,HYD, SLAB SCISSORS	
19	96855GT	CLAMP,HOSE,1 EAR,1-1/16***	2
20	96709GT	GROMMET,SLAB HYD TANK***	2
21	1303372GT	PLATE, TANK SUPPORT	3
22	1303373GT	RUBBER CUSHION, TANK SUPPORT	3
23	1256463GT	BOLT,CARRIAGE,1/4-20X1.25,5,ZAG	3



207.2 Power Unit Module (H-drive)

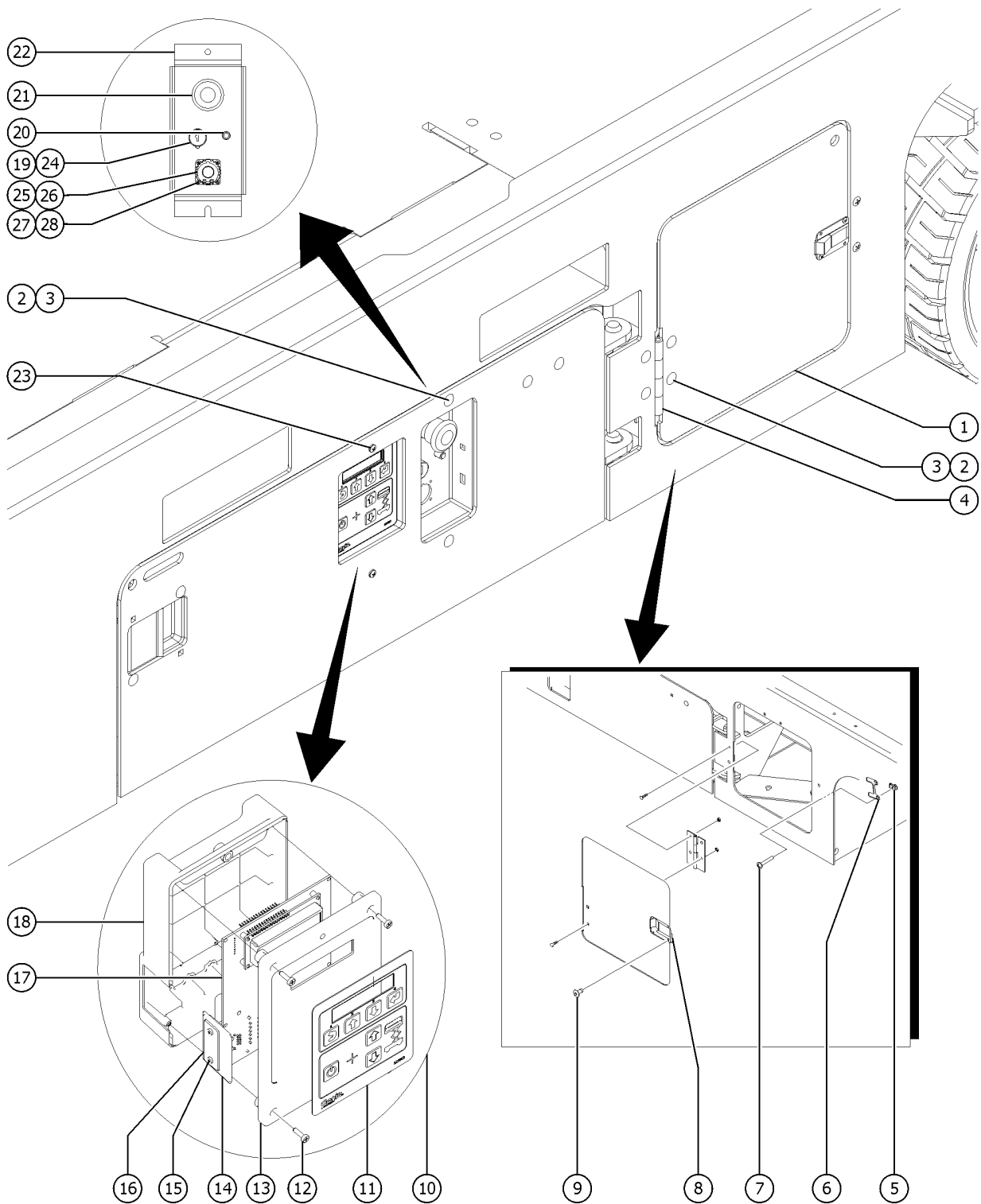


207.2 Power Unit Module (H-drive)

<i>Item</i>	<i>Part No.</i>	<i>Description</i>	<i>Qty.</i>
24	824078GT	SCREW,HHF,1/4-20X.75,8,ZAG	4
25		REF. FILTER ASSY	1
		(refer to 508.1)	
26		REF. ELECTRIC MOTOR/PUMP	1
		(refer to 508.1)	
27	1256863GT	WASHER,FLAT,.75,F436,HRD,ZAG	2
28	1257840GT	MOTOR CONTROLLER,DC,24V,360A	1



208.1 Ground Controls (E-drive)

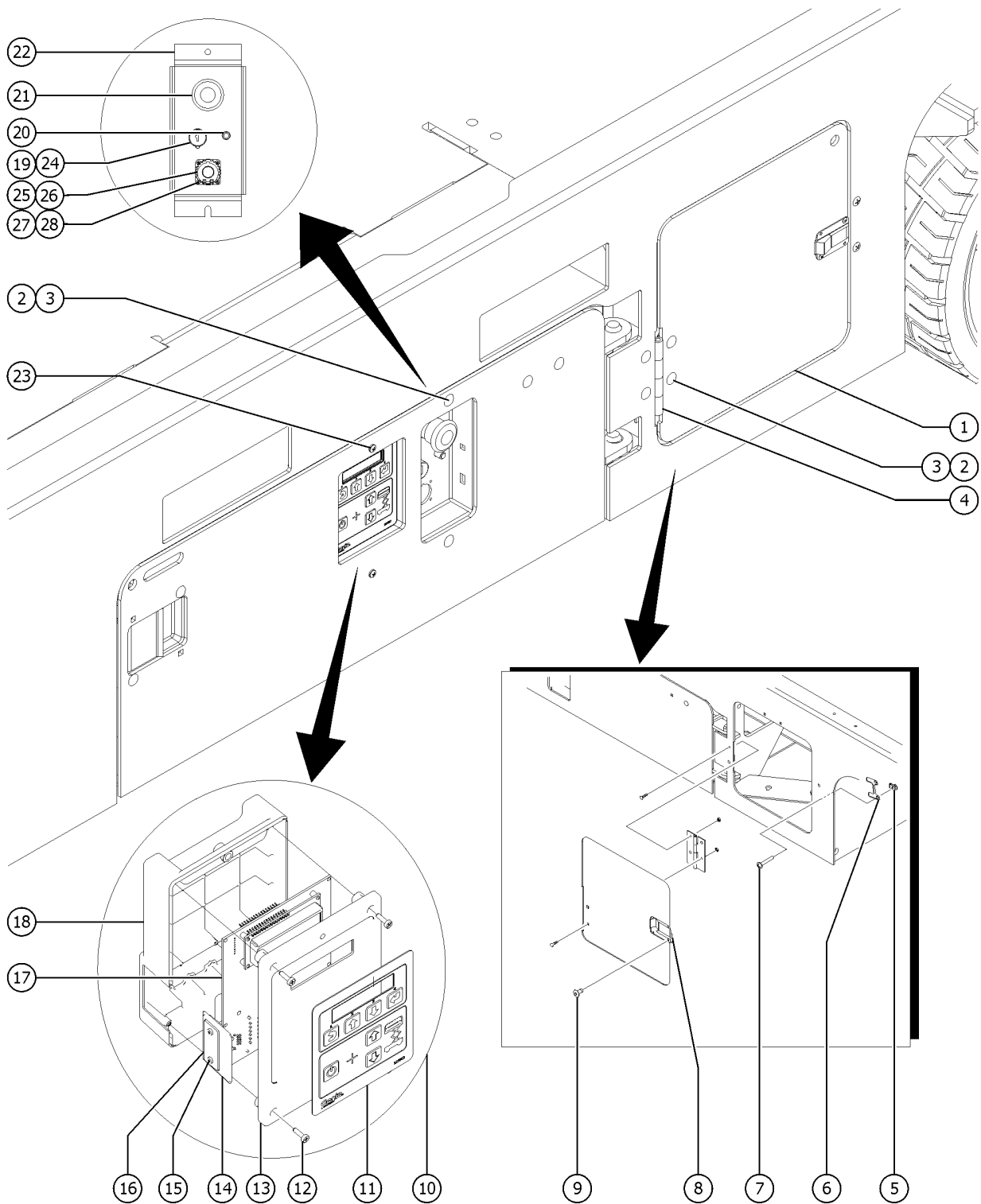


208.1 Ground Controls (E-drive)

Item	Part No.	Description	Qty.
A	1252764GT	SPACER, GROUND CONTROL ECU	1
B	824216GT	SCREW, PHPM, 10-32 X 1.5, ZAG	
1	1299643GT	PLATE, SIDE DOOR	
2	824124GT	BOLT, CARRIAGE, 1/4-20 X .75, 5, ZAG	6
3	1277924GT	NUT, NYLOCK FLG, 1/4-20, F, ZAG	4
4	105734GT	HINGE, ACCESS DOOR(13G)	1
5	56912GT	SPRING CLIP, 1/4-20, .025-.15X.54, ZAG	2
6	132557GT	PLATE, SIDE DOOR STOP***	
7	1260984GT	SCREW, PHPM, 1/4-20X.75, ZAG	2
8	105759GT	LATCH, COMPRESSION, SMALL	1
9	824206GT	RIVET, STL, STL, DOME, 1/8 X .25, ZAG	2
10	1284285GT	GCON, STD, DUAL ZONE (GS2032/2632 only)	
10B	1284286GT	GCON, O/R, DUAL ZONE	
		(GS3232 only)	
11	137562GT	DECAL, MEMBRANE, GR/GRC/GS GCON	1
12	137668GT	SCREW, PHM, 6-19X.75, 48-2 TRI-L	4
13	T106366GT	ENCLOSURE, GC27-25/GC21-19, FRNT	1
14	T106363GT	ADAPTER, RJ45, GC27-25/GC21-19	1
15	137637GT	SCREW, PHM, 4-20X.5, 48-2 TRI-L	2
16	T106362GT	COVER, RJ45, GC27-25/GC21-19	1
17	1256719GT	PCBA, GCON STD, PROP LIFT	1
18	T106372GT	ENCLOSURE, GC21-19, BK	1
19	96008-SGT	KEYSWITCH, 3 POS. W/KEYS***	1
19-	37947GT	KEYS, 10 PACK*** (sold seperately)	
19-	83093GT	KEY SINGLE*** (sold seperately)	
19-	85239GT	RETAINER NUT (96008)*** (sold seperately)	
19-	96009GT	WASHER, NITRILE (sold seperately)	
19-	96010GT	SCREW, PHILLIPS, PHM, 8-32 X.25** (sold seperately)	
20	96452GT	GS3246_CIRCUIT BREAKER, 7.0 AMP***	1



208.1 Ground Controls (E-drive)

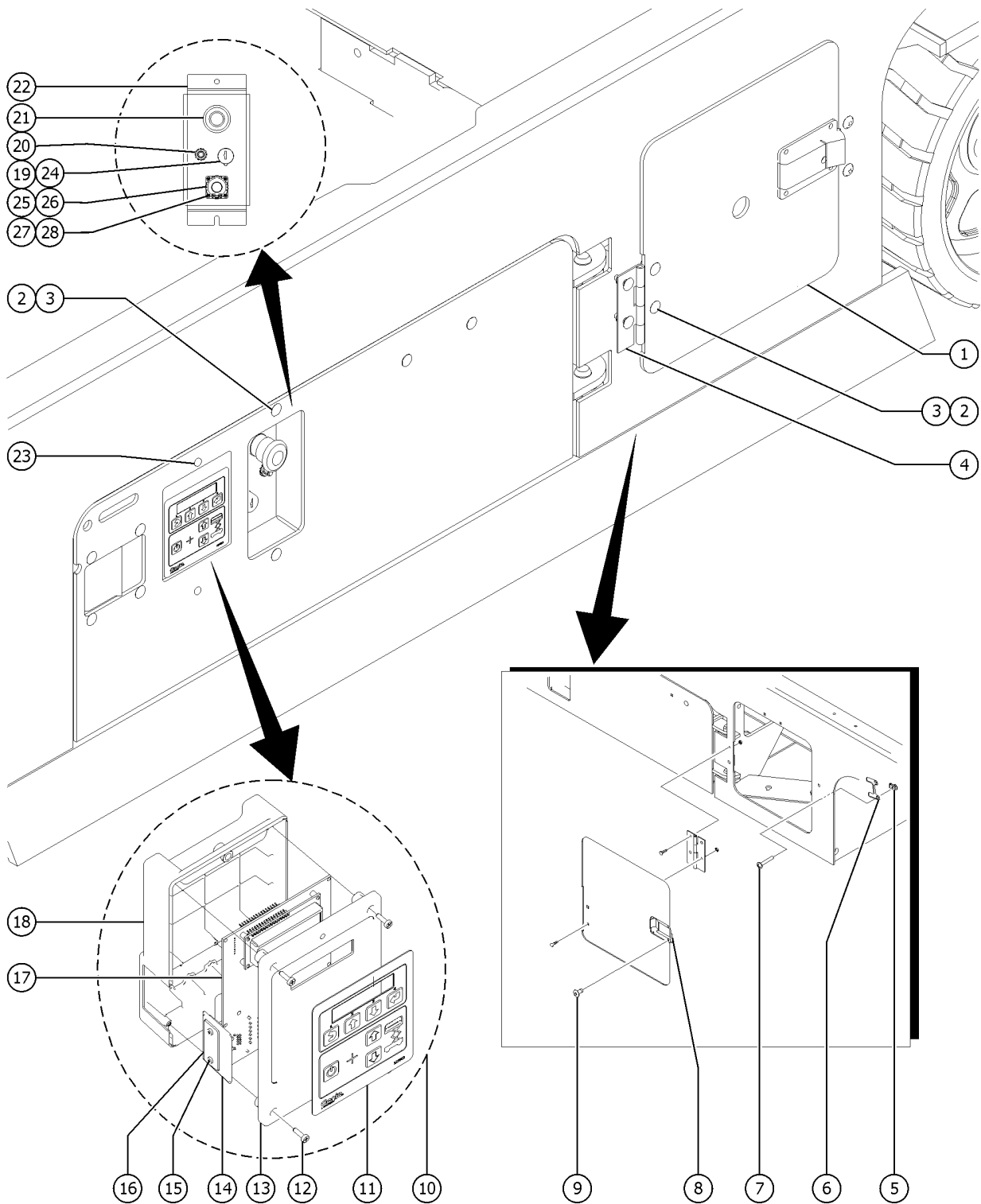


208.1 Ground Controls (E-drive)

<i>Item</i>	<i>Part No.</i>	<i>Description</i>	<i>Qty.</i>
20-	122994GT	NICKEL PLATED JAM NUT	
20-	6700GT	WASHER, STAR, EXTERNAL, .375	375
21	66812GT	BUTTON,PUSH,RED MUSHROOM HEAD	1
21-	58627GT	NUT	
21-	66817GT	E-STOP NC CONTACT	
22	1284781GT	FORMING,CONTROL PANEL,TECH PRO,METRIC	1
23	51063GT	SCREW,PHILLIPS,RHM,10-32 X 1.5	2
24	96010GT	SCREW,PHILLIPS,PHM,8-32 X.25**	3
25	1272122GT	CONN, RECEP, 5 WAY, DEUTSCH, HD10	1
26	1272123GT	DUST CAP, RECEPTACLE, 5 WAY, CIRCULAR	1
27	1253477GT	SCREW,PHPM,4-40X.5,ZAG	4
28	826854GT	NUT,NYLOCK,4-40	4



208.2 Ground Controls (H-drive)

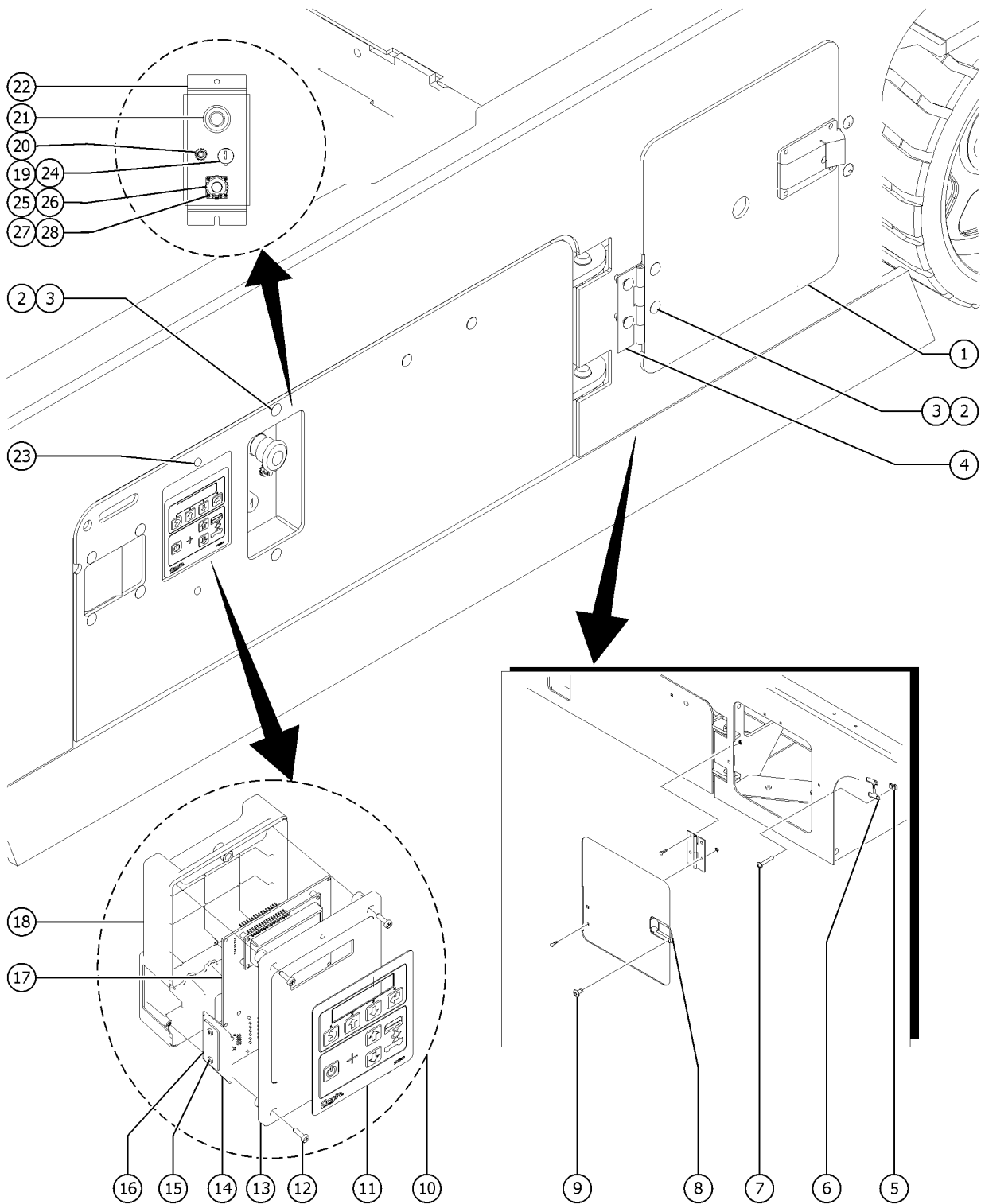


208.2 Ground Controls (H-drive)

Item	Part No.	Description	Qty.
A	1252764GT	SPACER, GROUND CONTROL ECU	1
B	824216GT	SCREW, PHPM, 10-32 X 1.5, ZAG	
1	132556GT	PLATE SIDE DOOR HTA	1
2	824124GT	BOLT, CARRIAGE, 1/4-20 X .75, 5, ZAG	6
3	1277924GT	NUT,NYLOCK FLG,1/4-20,F,ZAG	6
4	105734GT	HINGE,ACCESS DOOR(13G)	1
5	56912GT	SPRING CLIP,1/4-20,.025-.15X.54,ZAG	2
6	132557GT	PLATE,SIDE DOOR STOP***	1
7	1260984GT	SCREW,PHPM,1/4-20X.75,ZAG	2
8	105759GT	LATCH,COMPRESSION,SMALL	1
9	824206GT	RIVET, STL, STL, DOME, 1/8 X .25, ZAG	2
10	1284285GT	GCON,STD,DUAL ZONE	1
		GS-2032 and GS-2632	
11	137562GT	DECAL,MEMBRANE, GR/GRC/GS GCON	1
12	137668GT	SCREW,PHM,6-19X.75, 48-2 TRI-L	4
13	T106366GT	ENCLOSURE,GC27-25/GC21-19,FRNT	1
14	T106363GT	ADAPTER, RJ45, GC27-25/GC21-19	1
15	137637GT	SCREW,PHM,4-20X.5, 48-2 TRI-L	2
16	T106362GT	COVER, RJ45, GC27-25/GC21-19	1
17	1256719GT	PCBA,GCON STD,PROP LIFT	1
		GS-2032 and GS-2632	
18	T106372GT	ENCLOSURE,GC21-19,BK	1
		GS-2032 and GS-2632	
19	96008-SGT	KEYSWITCH,3 POS. W/KEYS***	1
19-	37947GT	KEYS,10 PACK***	
		(sold seperately)	
19-	83093GT	KEY SINGLE***	
		(sold seperately)	
19-	85239GT	RETAINER NUT (96008)***	
		(sold seperately)	
19-	96009GT	WASHER,NITRILE	
		(sold seperately)	
19-	96010GT	SCREW,PHILLIPS,PHM,8-32 X.25**	
		(sold seperately)	
20	96452GT	GS3246_CIRCUIT BREAKER, 7.0 AMP***	1
20-	122994GT	NICKEL PLATED JAM NUT	



208.2 Ground Controls (H-drive)

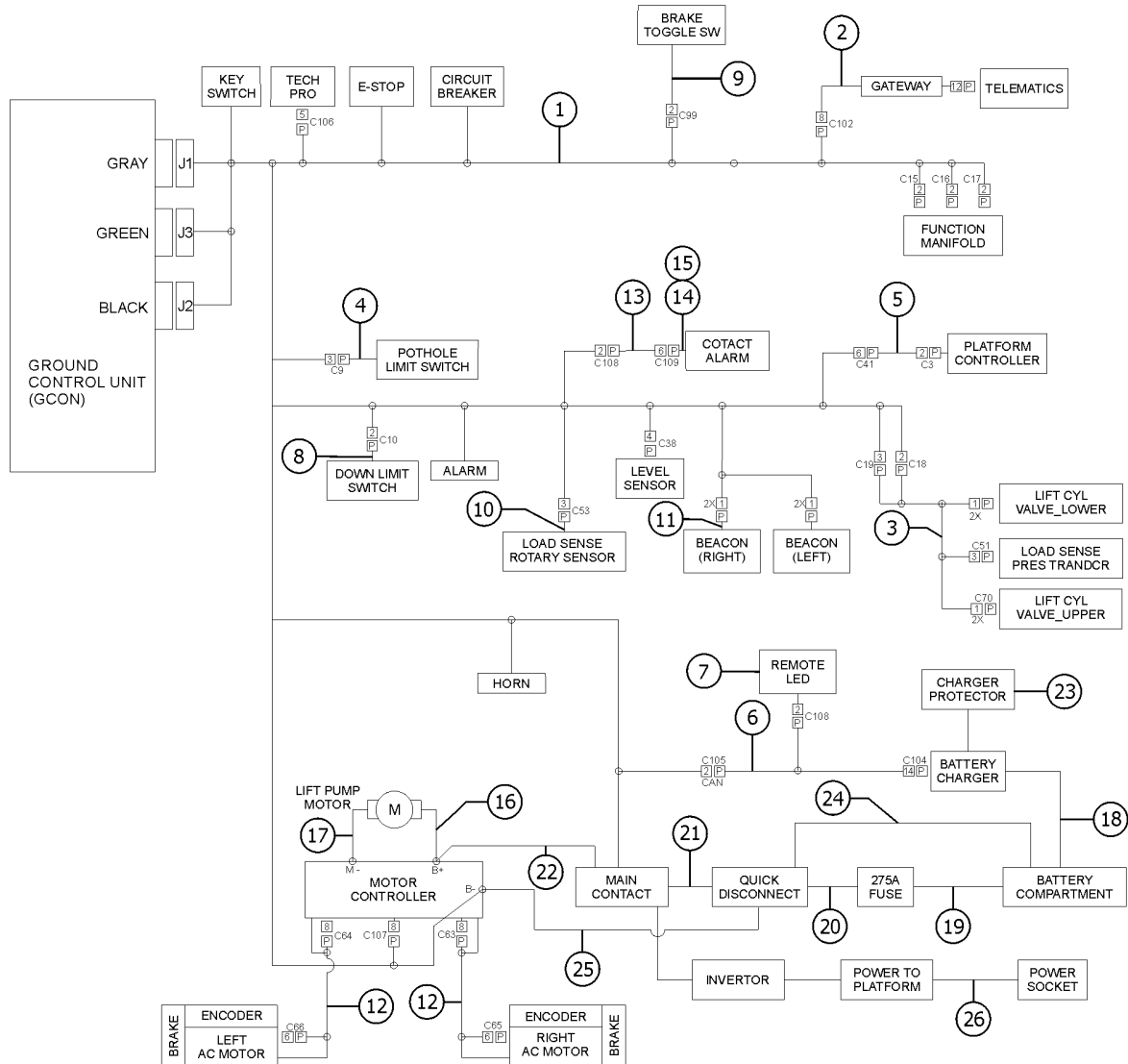


208.2 Ground Controls (H-drive)

<i>Item</i>	<i>Part No.</i>	<i>Description</i>	<i>Qty.</i>
20-	6700GT	WASHER, STAR, EXTERNAL, .375	
21	66812GT	BUTTON,PUSH,RED MUSHROOM HEAD	1
21-	58627GT	NUT	
21-	66817GT	E-STOP NC CONTACT	
22	1284781GT	FORMING,CONTROL PANEL,TECH PRO,METRIC	1
23	51063GT	SCREW,PHILLIPS,RHM,10-32 X 1.5	2
24	96010GT	SCREW,PHILLIPS,PHM,8-32 X.25**	3
25	1272122GT	CONN, RECEP, 5 WAY, DEUTSCH, HD10	1
26	1272123GT	DUST CAP, RECEPTACLE, 5 WAY, CIRCULAR	1
27	1253477GT	SCREW,PHPM,4-40X.5,ZAG	4
28	826854GT	NUT,NYLOCK,4-40	4



209.1 Electrical Wiring - GS-2032/2632 (E-drive)

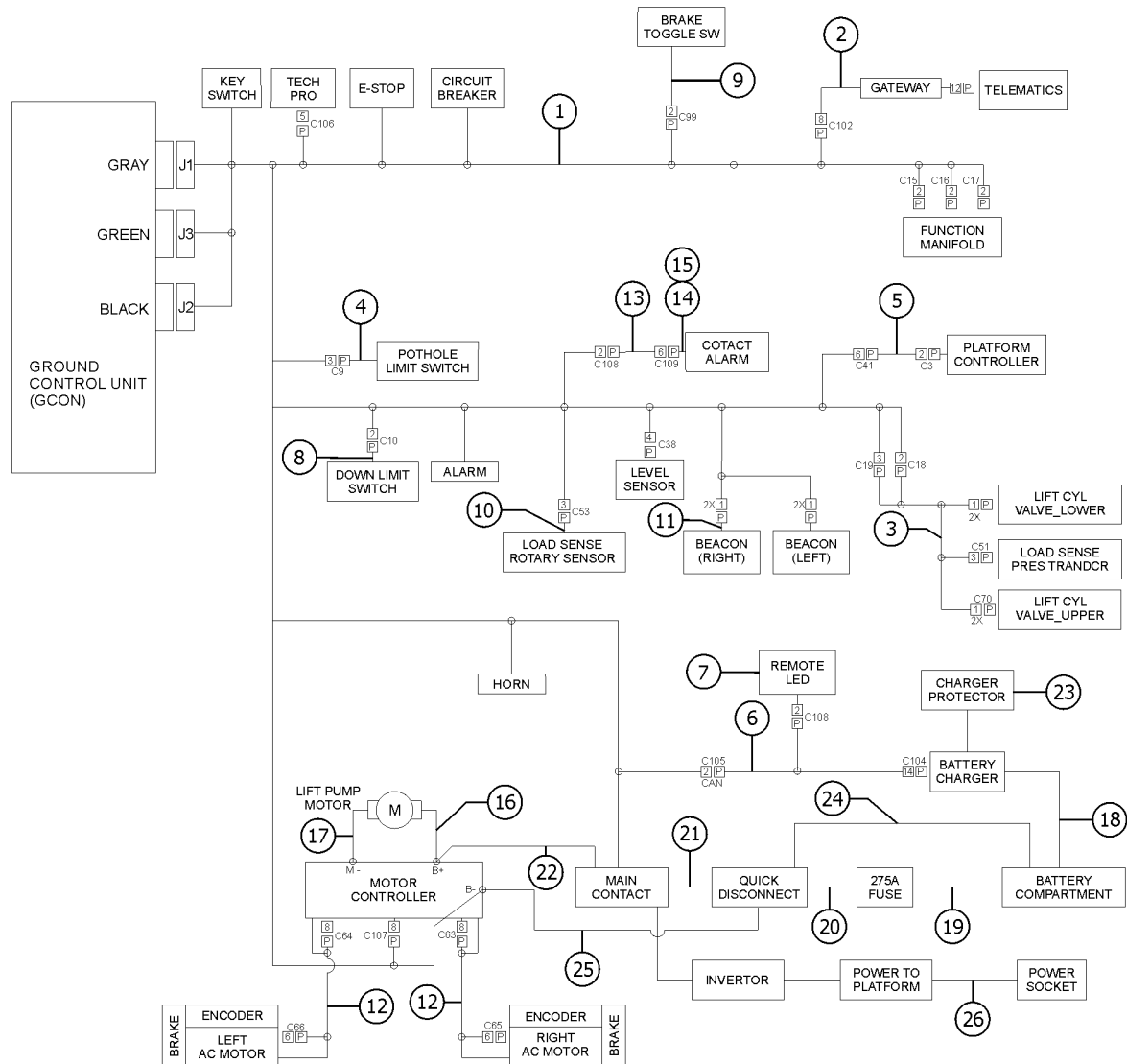


209.1 Electrical Wiring - GS-2032/2632 (E-drive)

Item	Part No.	Description	Qty.
1	1298407GT	HARNESS,GS GROUND CONTROLLER,GS46	1
2	1289899GT	HARNESS, GATEWAY, GS	1
3	233053GT	CABLE,LFT CYL DN,20/26XX,W/LS	
		(GS-2032, GS-2632)	
4	1300887GT	ASSY,POTHOLE HARNESS GS32/GS46, E-DRI	1
5	233050GT	CABLE, PLATFORM CONTROL, 20XX	
		(GS-2032)	
5B	233051GT	CABLE, PLATFORM CONTROL, 26XX	
		(GS-2632)	
6	1272121GT	HARNESS,LED CHARGER,GS46	1
7	1306190GT	ASSEMBLY,CHARGER STATUS LED,3V	1
8	T112507GT	WIRE ASSY,DOWN LIMIT SW	1
8B	1309803GT	ASSEMBLY,DOWN LIMIT,GS,KO	1
		(Korea option)	
9	1301854GT	CABLE, BRAKE RELEASE SWITCH	1
10	T113136GT	ASSY,ROT SENSR W/HARNESS	1
11	1311603GT	ASSEMBLY, BEACON LED, 24V for GS	2
12	1303546GT	COMPOSITE MOTOR CABLE MID,E-DRIVE	2
13		CABLE,CONTACT ALARM,CHASSIS TO PLAT,20XX	
		(GS-2032) no longer available	
14		CABLE,CONTACT ALARM,45IN LINK	1
		no longer available	
15	1291053GT	HARNESS,CONTACT ALARM,GS46 PLATFORM	1
16	1297793GT	CABLE ASSY,MC TO POWER UNIT,RED	1
17	1297796GT	CABLE ASSY,MC TO POWER UNIT,BLK	1
18	1273576GT	CABLE ASSY,CHARGER/BATTERY	1
19	1297791GT	CABLE ASSY,BATT,5.50"RED	1
20	1297797GT	CABLE ASSY,FUSE TO QUIK,RED	1
21	1297799GT	CABLE ASSY,QUIK TO CONT,RED	1
22	1297795GT	CABLE ASSY,CONT TO MC,RED	1
23	1272557GT	POWER CORD,IEC 320,90 DEG	1
24	1297794GT	CABLE ASSY,BATT TO QUIK,BLK	1
25	1297798GT	CABLE ASSY,QUIK TO MC,BLK	1
26	43956GT	WIRE CABLE, 14/GA/3 CON. TPE JKT*	551
		(GS-2632)	



209.1 Electrical Wiring - GS-2032/2632 (E-drive)

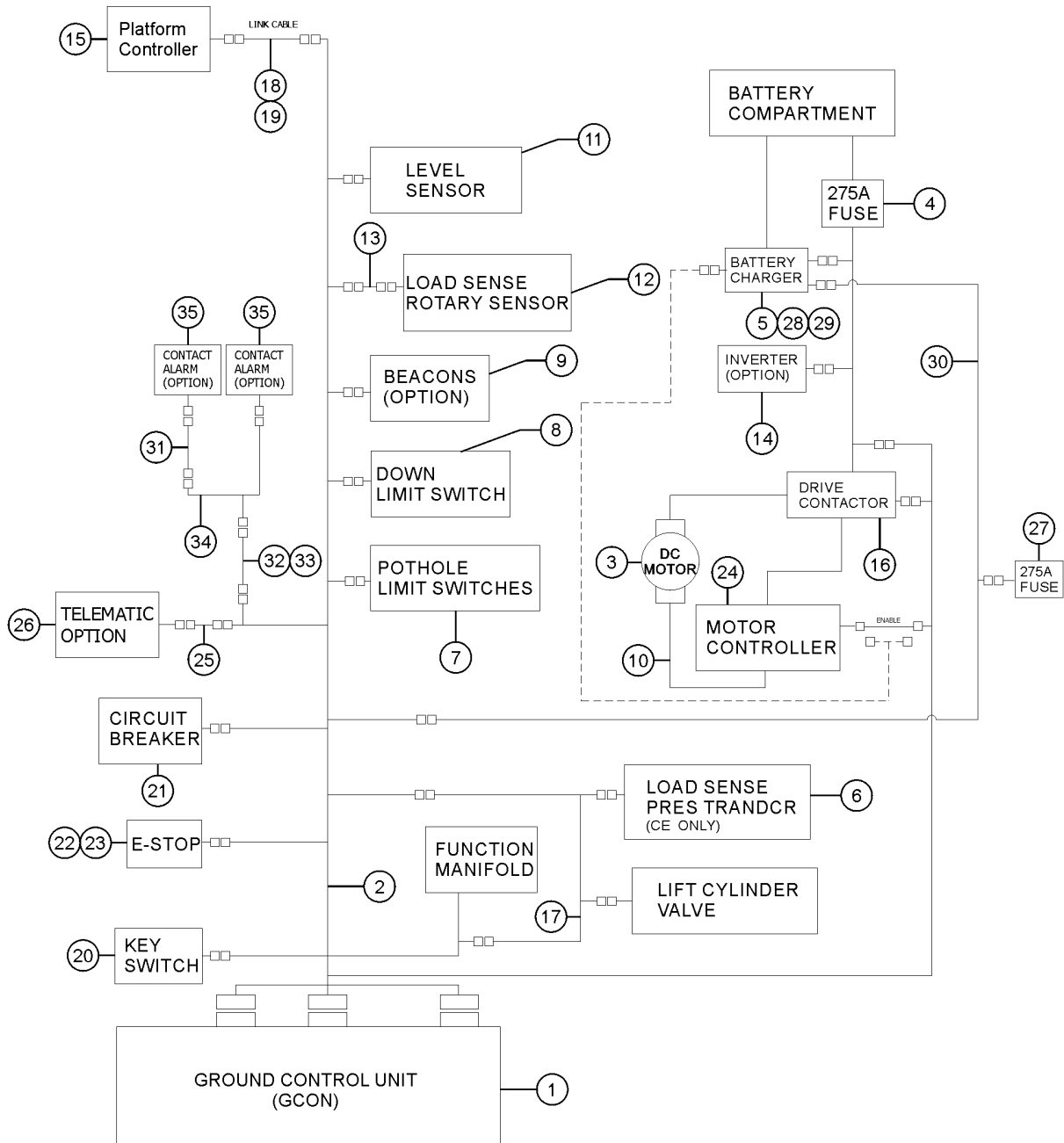


209.1 Electrical Wiring - GS-2032/2632 (E-drive)

<i>Item</i>	<i>Part No.</i>	<i>Description</i>	<i>Qty.</i>
26B	43956GT	WIRE CABLE, 14/GA/3 CON. TPE JKT* (GS-2032)	433



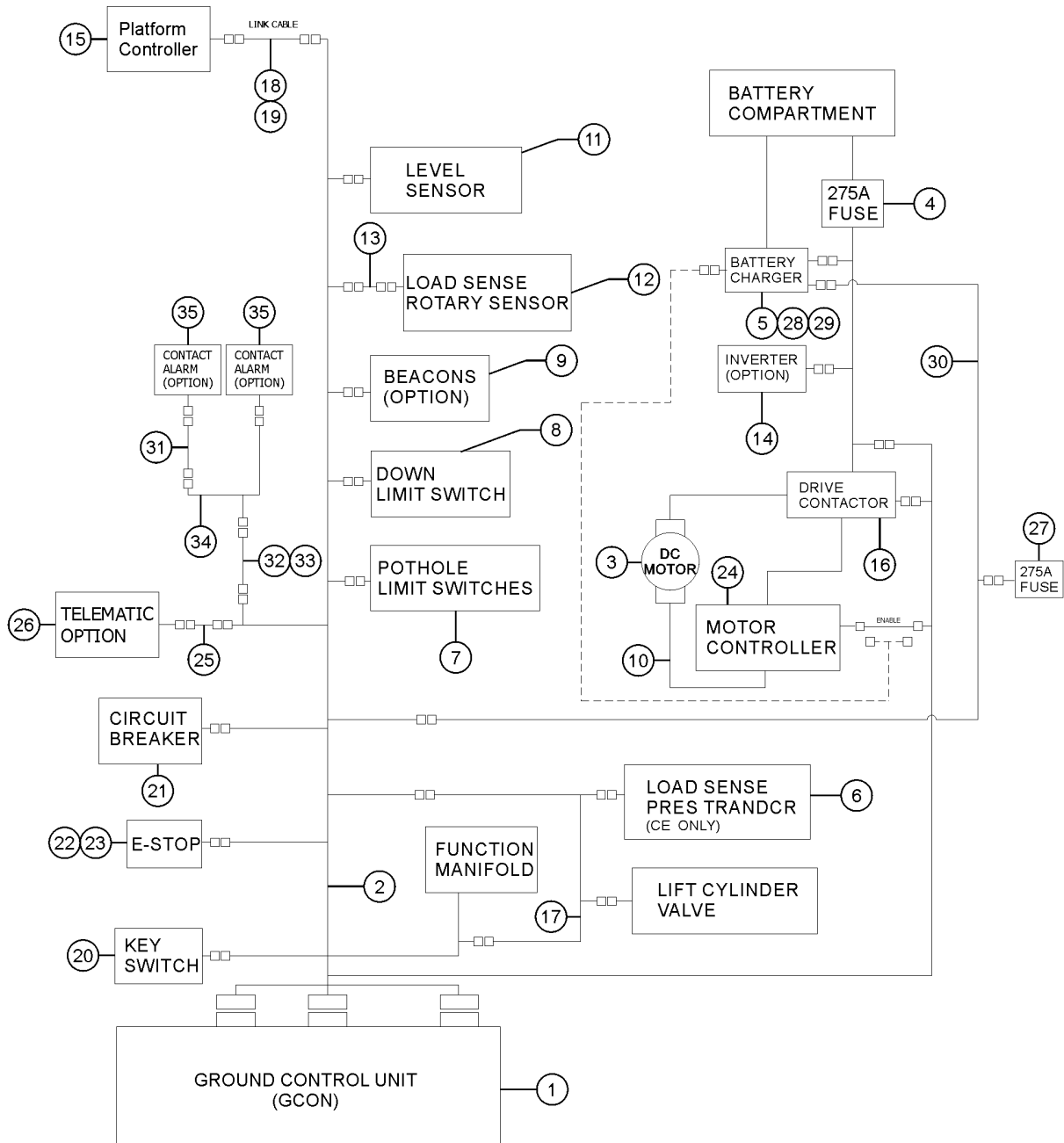
209.2 Electrical Wiring - GS-2032/2632 (H-drive)



Item	Part No.	Description	Qty.
1	1284285GT	GCON,STD,DUAL ZONE	1
2	1303914GT	HARNESS, GROUND CONTROLLER, GS32	1
3	40844GT	MOTOR,ELECTRIC,24VDC 4.5HP	1
4	40833GT	FUSE, 275AMP, VERY FAST ACTING	1
5	1264372GT	CHARGER,24V,650W,USB	1
6	1291577GT	PRESSURE TRANSDUCER,0-5K PSI	1
7	96309GT	POTHOLE HARNESS ASSEMBLY	
8	T112507GT	WIRE ASSY,DOWN LIMIT SW	1
8B	1308286GT	ASSEMBLY, DOWN LIMIT, GS46	1
		(Korea option)	
9	1311603GT	ASSEMBLY, BEACON LED, 24V for GS	2
10	1307205GT	BATTERY CABLE ASSEMBLY, GS30/32	1
11	823368GT	SENSOR,LEVEL,UNIVERSAL	1
12	T113136GT	ASSY,ROT SENSR W/HARNESS	1
13	T114031GT	HARNESS, ROTARY ANGLE	1
14	1293284GT	INVERTER,24VDC,120VAC 800W	1
15	1283792GT	PCON,STD,DUAL ZONE,GS/GR	1
16	1270456GT	CONTACTOR,DRIVE,24V,180A	1
17	233053GT	CABLE,LFT CYL DN,20/26XX,W/LS	1
18	233050GT	CABLE, PLATFORM CONTROL, 20XX	1
19	233051GT	CABLE, PLATFORM CONTROL, 26XX	1
20	96008-SGT	KEYSWITCH,3 POS. W/KEYS***	1
21	96452GT	GS3246_CIRCUIT BREAKER, 7.0 AMP***	1
22	66812GT	BUTTON,PUSH,RED MUSHROOM HEAD	1
23	66817GT	E-STOP NC CONTACT	1
24	1257840GT	MOTOR CONTROLLER,DC,24V,360A	1
25	1289899GT	HARNESS, GATEWAY, GS	1
26	1291334GT	OPTION, GENIE TELEMATICS, NORTH AMERICA	1
27	1306190GT	ASSEMBLY,CHARGER STATUS LED,3V	1



209.2 Electrical Wiring - GS-2032/2632 (H-drive)

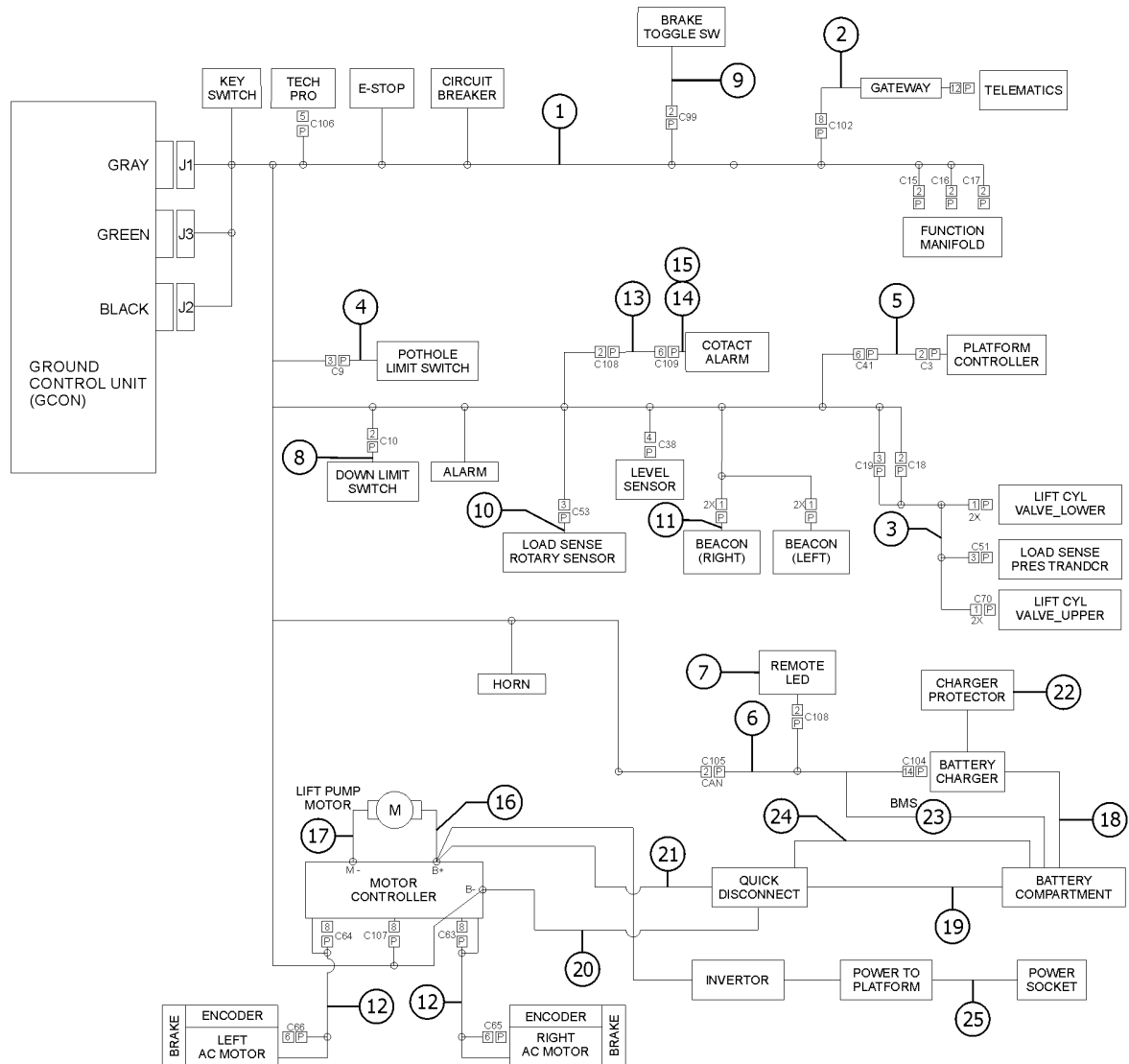


209.2 Electrical Wiring - GS-2032/2632 (H-drive)

Item	Part No.	Description	Qty.
28	1273576GT	CABLE ASSY,CHARGER/BATTERY	1
29	1272844GT	CABLE,CHARGER, DC, W/ BTS	1
30	1272120GT	HARNESS,LED CHARGER,GS32	1
31		CABLE,CONTACT ALARM,45IN LINK	1
		no longer available	
32		CABLE,CONTACT ALARM,CHASSIS TO PLAT,20XX	1
		no longer available	
33		CABLE,CONTACT ALARM,CHASSIS TO PLAT,26XX	1
		no longer available	
34	1291052GT	HARNESS,CONTACT ALARM,GS32 PLATFORM	1
35		ASSEMBLY, LIFTGUARD CONTACT ALARM	2
		(no longer available)	



209.3 Electrical Wiring - GS-2032/2632 (Li Option)

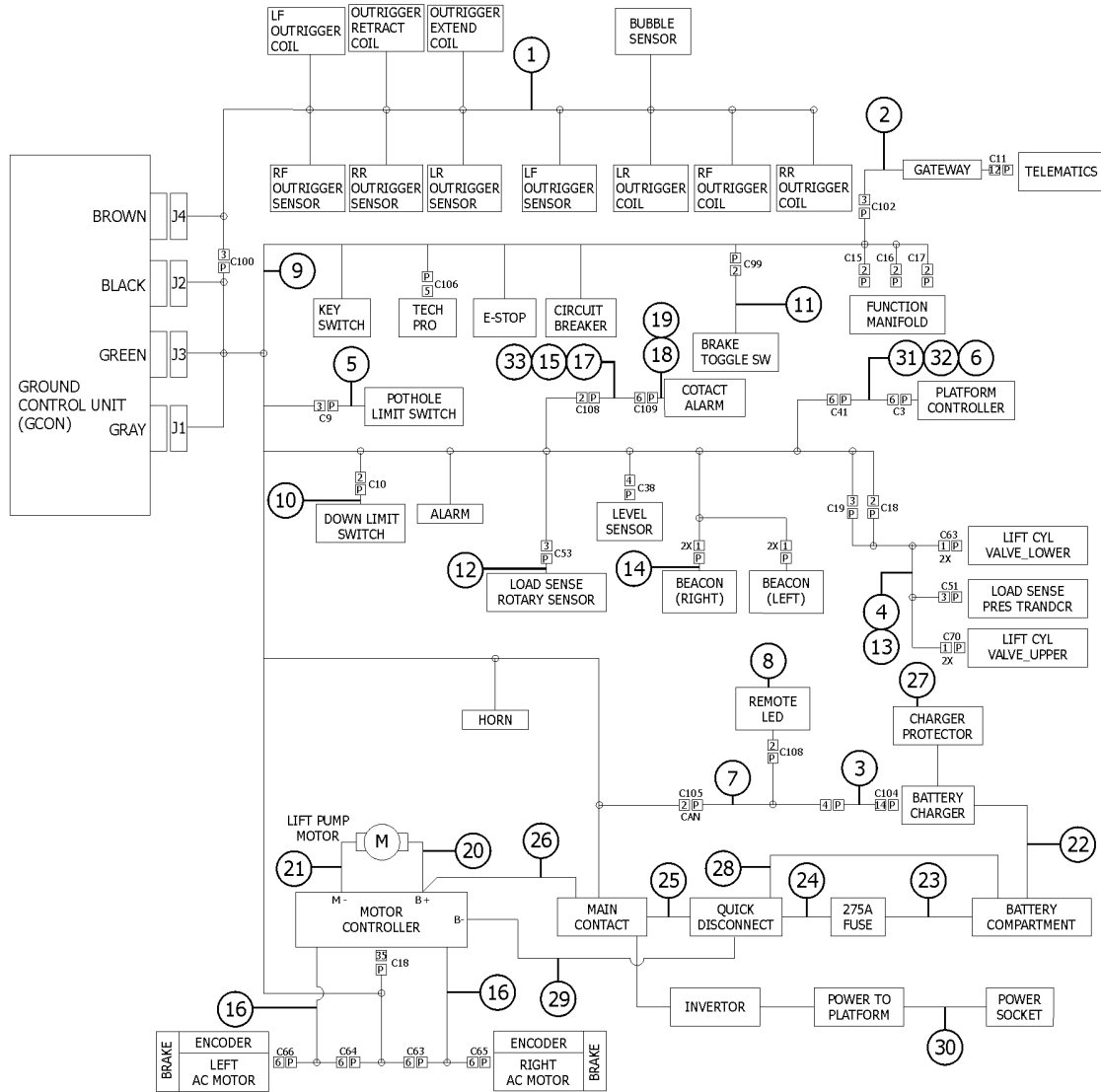


209.3 Electrical Wiring - GS-2032/2632 (Li Option)

Item	Part No.	Description	Qty.
1	1306577GT	HARNESS,GCON,LITHIUM,GS32/GS46	1
2	1289899GT	HARNESS, GATEWAY, GS	1
3	233053GT	CABLE,LFT CYL DN,20/26XX,W/LS (GS-2032, GS-2632)	
4	1300887GT	ASSY,POTHOLE HARNESS GS32/GS46, E-DRI	1
5	233050GT	CABLE, PLATFORM CONTROL, 20XX (GS-2032)	
5B	233051GT	CABLE, PLATFORM CONTROL, 26XX (GS-2632)	1
6	1306162GT	HARNESS,LFP,BMS,GS30	1
7	1306190GT	ASSEMBLY,CHARGER STATUS LED,3V	1
8	T112507GT	WIRE ASSY,DOWN LIMIT SW	1
8B	1308286GT	ASSEMBLY, DOWN LIMIT, GS46 (Korea option)	1
9	1301854GT	CABLE, BRAKE RELEASE SWITCH	1
10	T113136GT	ASSY,ROT SENSR W/HARNESS	1
11	1311603GT	ASSEMBLY, BEACON LED, 24V for GS	2
12	1303546GT	COMPOSITE MOTOR CABLE MID,E-DRIVE	2
13		CABLE,CONTACT ALARM,CHASSIS TO PLAT,20XX GS-2032) no longer available	
14		CABLE,CONTACT ALARM,45IN LINK no longer available	1
15	1291053GT	HARNESS,CONTACT ALARM,GS46 PLATFORM	1
16	1297793GT	CABLE ASSY,MC TO POWER UNIT,RED	1
17	1297796GT	CABLE ASSY,MC TO POWER UNIT,BLK	1
18	1273576GT	CABLE ASSY,CHARGER/BATTERY	1
19	1306878GT	CABLE ASSY,RD,LFP,BAT TO QD,GS32/46	1
20	1297798GT	CABLE ASSY,QUIK TO MC,BLK	1
21	1306882GT	CABLE ASSY,RD,LFP,QD TO MC,GS32/46	1
22	1272557GT	POWER CORD,IEC 320,90 DEG	1
23	1308050GT	HARNESS,LFP,BMS	1
24	1306879GT	CABLE ASSY,BK,LFP,BAT TO QD,GS32/46	1
25	43956GT	WIRE CABLE, 14/GA/3 CON. TPE JKT* (GS-2632)	551
25B	43956GT	WIRE CABLE, 14/GA/3 CON. TPE JKT* (GS-2032)	433



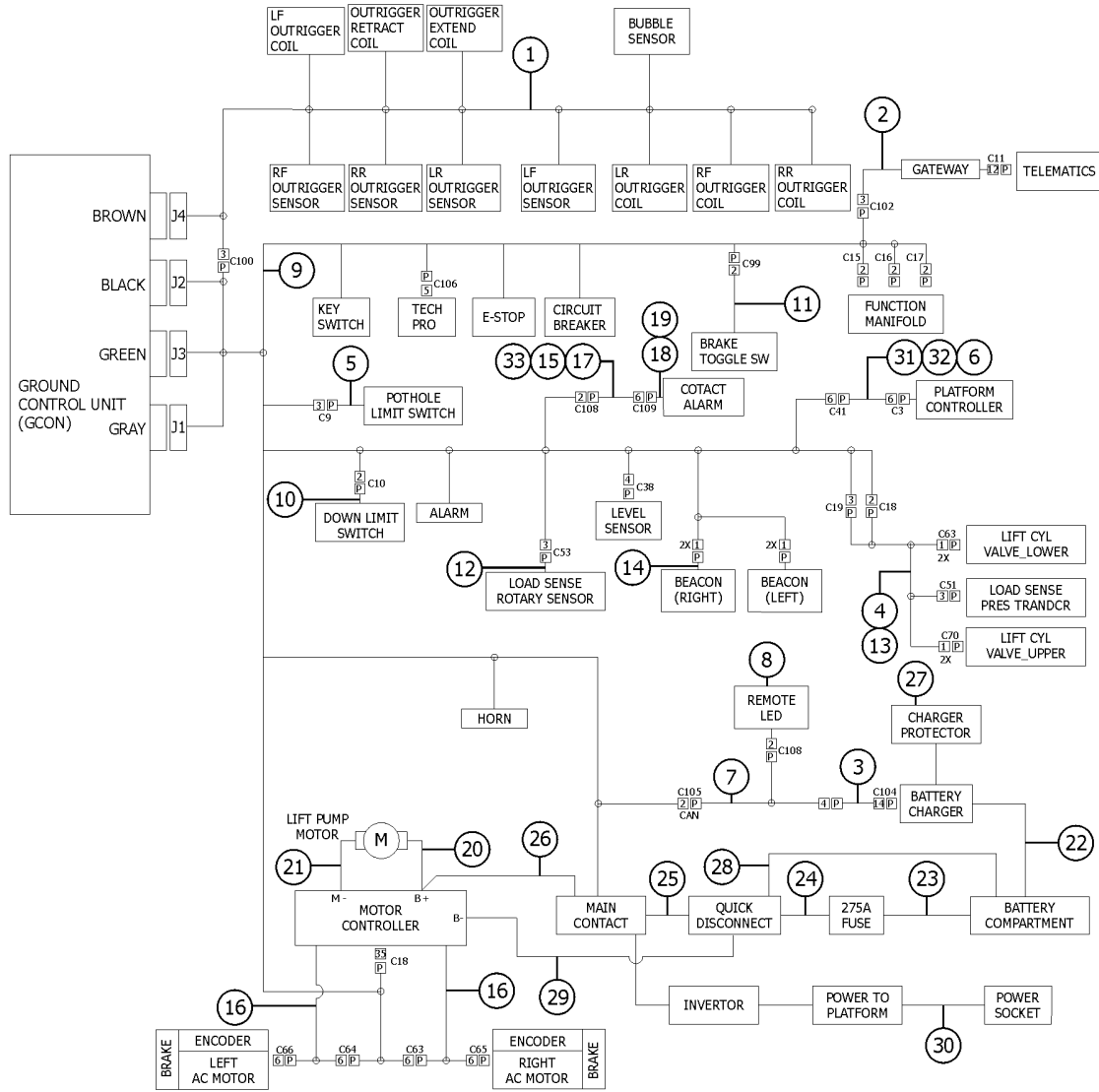
210.1 Electrical Wiring - GS-3232



Item	Part No.	Description	Qty.
1	1303748GT	HARNESS,GS GROUND CONTROLLER,GS3232	1
2	1289899GT	HARNESS, GATEWAY, GS	1
3	1265771GT	HARNESS, CHARGER CONTROL	1
4	233055GT	CABLE,LIFT CYL DWN, 32XX,W/LS	1
5	1300887GT	ASSY,POTHOLE HARNESS GS32/GS46, E-DRI	1
6	233052GT	CABLE, PLATFORM CONTROL, 32XX	1
7	1273394GT	HARNESS ,CHARGER EXTENSION	1
8	1306190GT	ASSEMBLY,CHARGER STATUS LED,3V	1
9	1304120GT	HARNESS,OUTRIGGER 3232,E-DRIVE	1
10	T112507GT	WIRE ASSY,DOWN LIMIT SW	1
10B	1308286GT	ASSEMBLY, DOWN LIMIT, GS46	1
		(Korea option)	
11	1301854GT	CABLE, BRAKE RELEASE SWITCH	1
12	T113136GT	ASSY,ROT SENSR W/HARNESS	1
13	233053GT	CABLE,LFT CYL DN,20/26XX,W/LS	1
14	1311603GT	ASSEMBLY, BEACON LED, 24V for GS	2
15		CABLE,CONTACT ALARM,CHASSIS TO PLAT,20XX	1
		no longer available	
16	1303546GT	COMPOSITE MOTOR CABLE MID,E-DRIVE	2
17		CABLE,CONTACT ALARM,CHASSIS TO PLAT,32XX	1
		no longer available	
18		CABLE,CONTACT ALARM,45IN LINK	1
		no longer available	
19	1291052GT	HARNESS,CONTACT ALARM,GS32 PLATFORM	1
20	1297793GT	CABLE ASSY,MC TO POWER UNIT,RED	1
21	1297796GT	CABLE ASSY,MC TO POWER UNIT,BLK	1
22	1273576GT	CABLE ASSY,CHARGER/BATTERY	1
23	1297791GT	CABLE ASSY,BATT,5.50"RED	1
24	1297797GT	CABLE ASSY,FUSE TO QUIK,RED	1
25	1297799GT	CABLE ASSY,QUIK TO CONT,RED	1
26	1297795GT	CABLE ASSY,CONT TO MC,RED	1
27	1272557GT	POWER CORD,IEC 320,90 DEG	1



210.1 Electrical Wiring - GS-3232

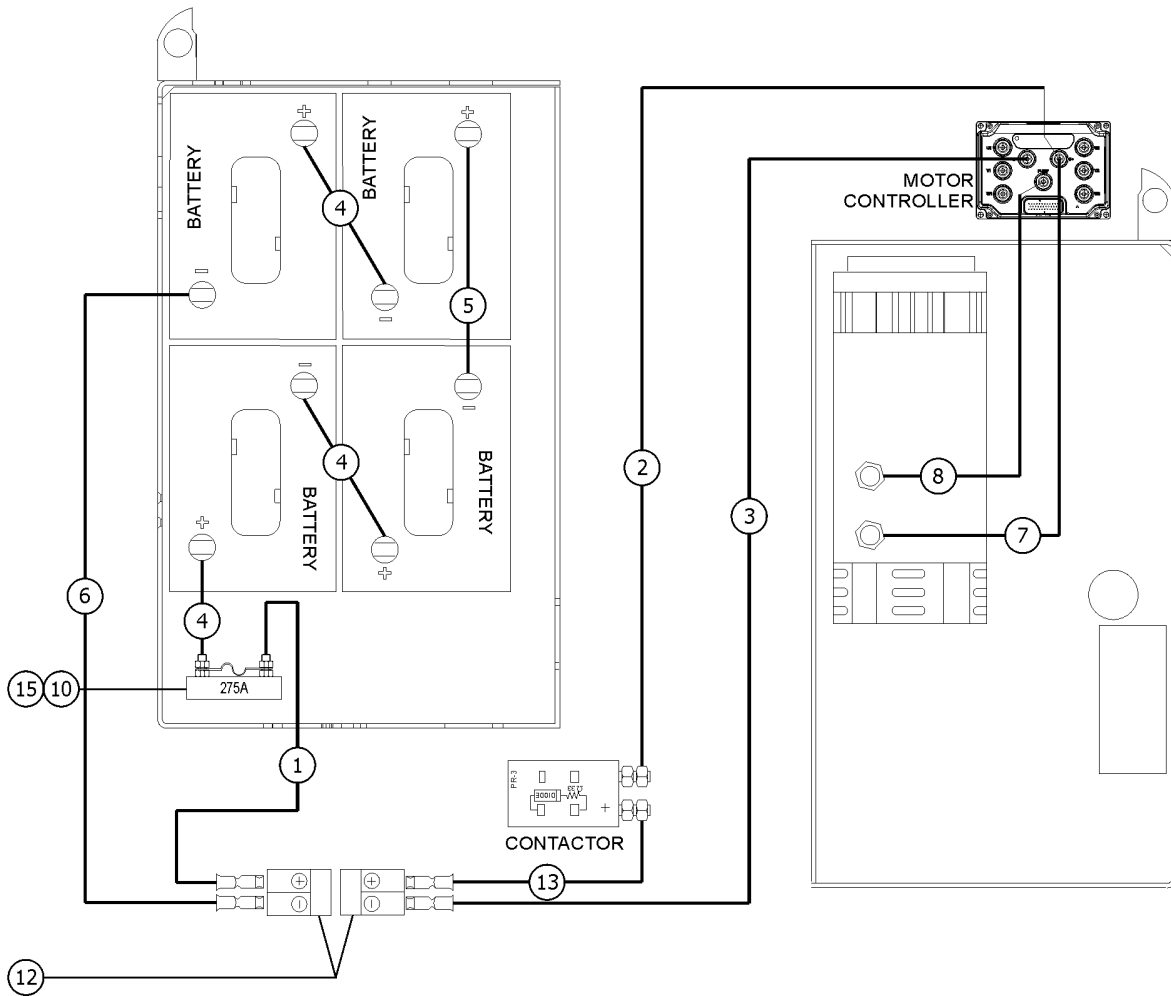


210.1 Electrical Wiring - GS-3232

<i>Item</i>	<i>Part No.</i>	<i>Description</i>	<i>Qty.</i>
28	1297794GT	CABLE ASSY,BATT TO QUIK,BLK	1
29	1297798GT	CABLE ASSY,QUIK TO MC,BLK	1
30	43956GT	WIRE CABLE, 14/GA/3 CON. TPE JKT*	630
31	233050GT	CABLE, PLATFORM CONTROL, 20XX	1
32	233051GT	CABLE, PLATFORM CONTROL, 26XX	1
33		CABLE,CONTACT ALARM,CHASSIS TO PLAT,26XX	1
		no longer available	



211.1 Power Cables (E-drive)

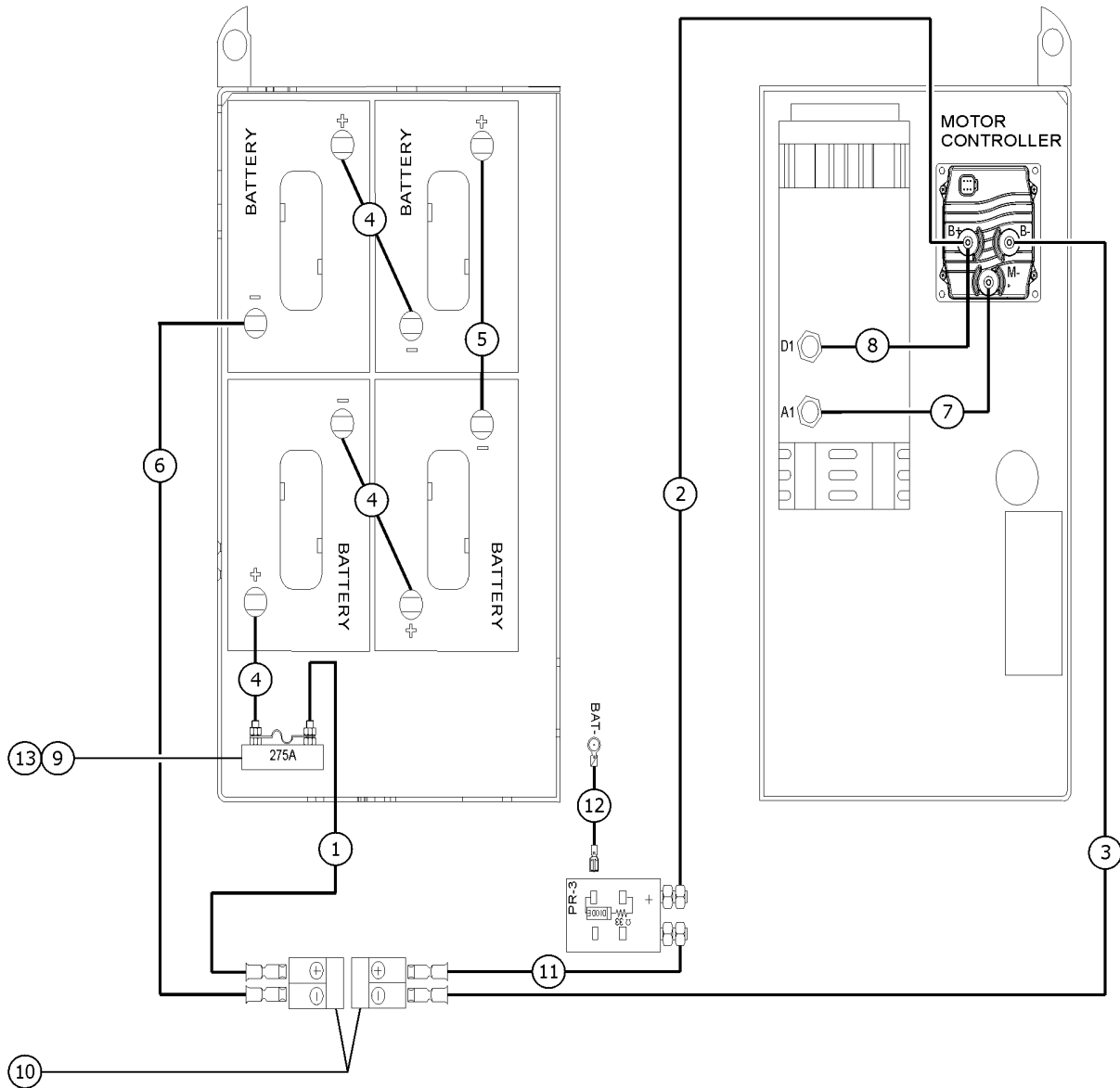


211.1 Power Cables (E-drive)

Item	Part No.	Description	Qty.
1	1297797GT	CABLE ASSY,FUSE TO QUIK,RED	1
2	1297795GT	CABLE ASSY,CONT TO MC,RED	1
3	1297798GT	CABLE ASSY,QUIK TO MC,BLK	1
4	1297791GT	CABLE ASSY,BATT,5.50"RED	3
5	1297792GT	CABLE ASSY,BATT,9.50"RED	1
6	1297794GT	CABLE ASSY,BATT TO QUIK,BLK	1
7	1297793GT	CABLE ASSY,MC TO POWER UNIT,RED	1
8	1297796GT	CABLE ASSY,MC TO POWER UNIT,BLK	1
9	28131GT	WIRE LOOM,1.25 DIA	16
10	66717GT	FUSE BLOCK, ANN & ANL FUSE	1
11	96110GT	BOOT, CABLE, TERMINAL COVER	15
12	1288481GT	QUICK DISCONNECT CASING, BATT SB120	2
13	1297799GT	CABLE ASSY,QUIK TO CONT,RED	1
14	79140GT	BOOT,CABLE TERMINAL,RED,XL	1
15	40833GT	FUSE, 275AMP, VERY FAST ACTING	1



211.2 Power Cables (H-drive)

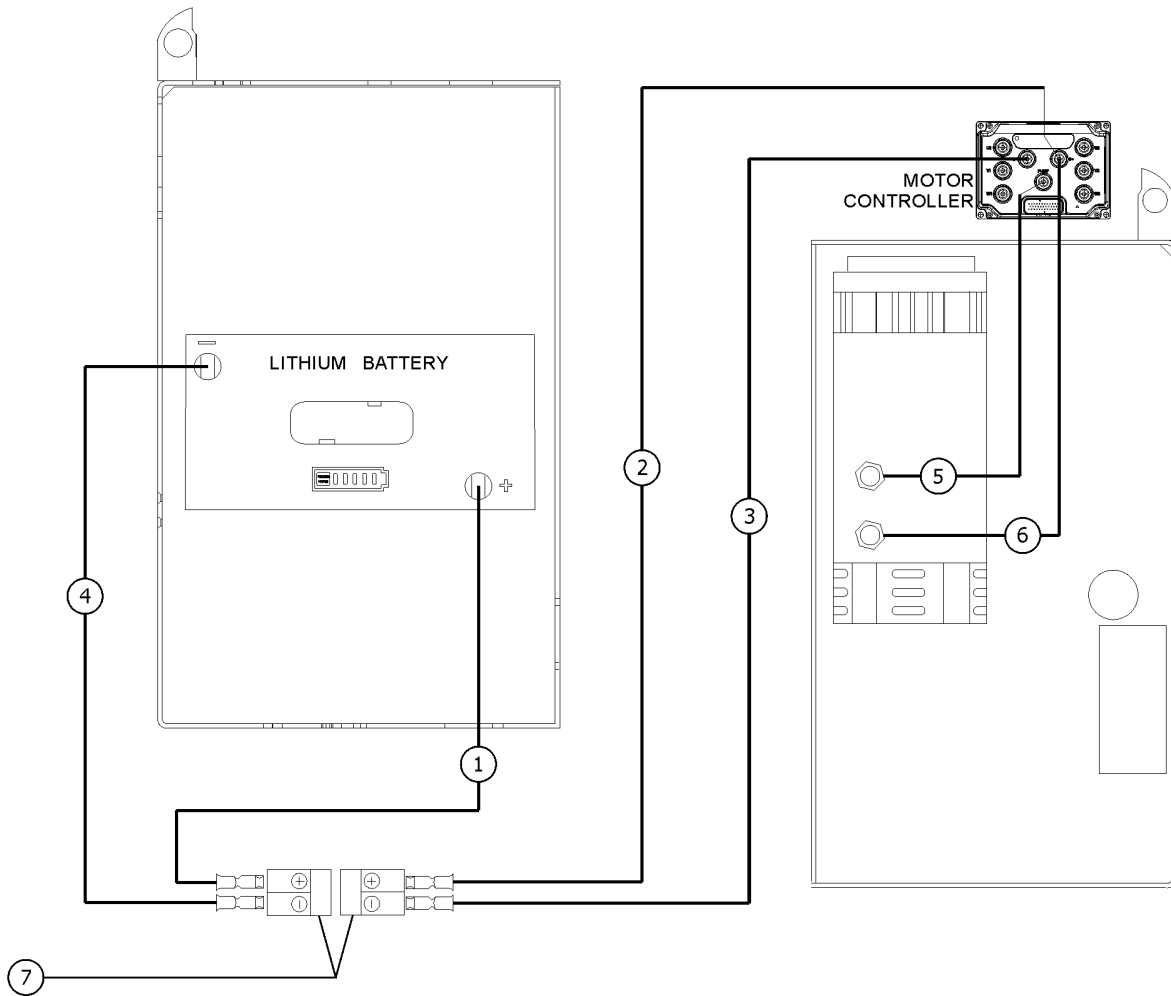


211.2 Power Cables (H-drive)

Item	Part No.	Description	Qty.
1	232576GT	CABLE ASSY,BATT, 12" RED	1
2	1257059GT	CABLE ASSY.,BATT. 74.5"RED	1
3	1257058GT	CABLE ASSY., BATT. 79" BLACK	1
4	96304GT	CABLE ASSY,BATT,5.50"RED	3
5	96306GT	CABLE ASSY,BATT,9.50"RED	1
6	232578GT	CABLE ASSY,BATT, 20" BLK	1
7	1257055GT	CABLE ASSY., BATT. 9.5" BLACK	1
8	1257054GT	CABLE ASSY., BATT. 11.5" RED	1
9	66717GT	FUSE BLOCK, ANN & ANL FUSE	1
10	66397GT	QUICK DISCONNECT CASING,BATT**	2
11	233371GT	CABLE ASSY, BATT, 23"RD	1
12	232582GT	GROUND WIRE ASSY,GS	1
13	40833GT	FUSE, 275AMP, VERY FAST ACTING	1



211.3 Power Cables (Li Option)

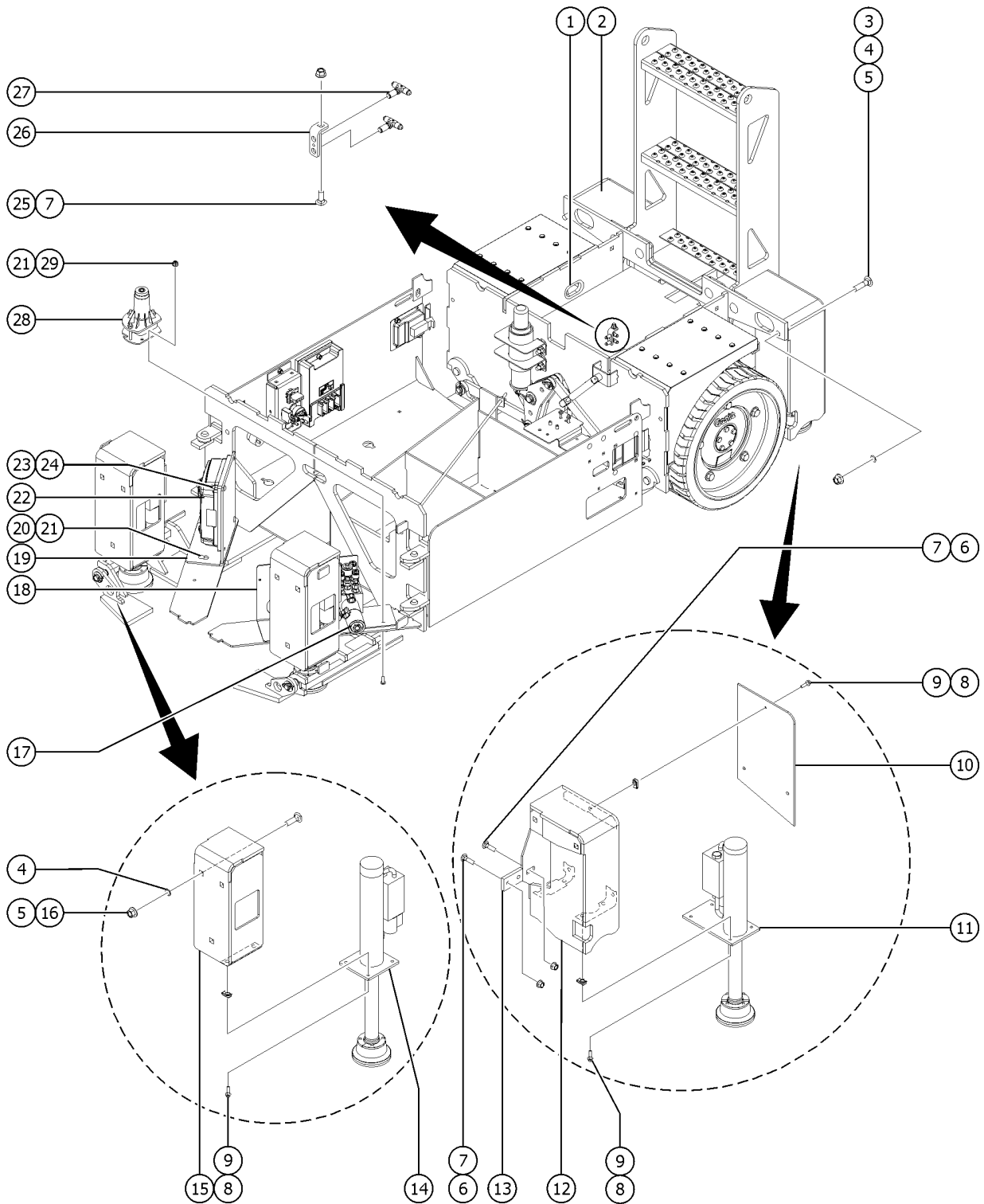


211.3 Power Cables (Li Option)

<i>Item</i>	<i>Part No.</i>	<i>Description</i>	<i>Qty.</i>
1	1306878GT	CABLE ASSY,RD,LFP,BAT TO QD,GS32/46	1
2	1306882GT	CABLE ASSY,RD,LFP,QD TO MC,GS32/46	1
3	1297798GT	CABLE ASSY,QUIK TO MC,BLK	1
4	1306879GT	CABLE ASSY,BK,LFP,BAT TO QD,GS32/46	1
5	1297796GT	CABLE ASSY,MC TO POWER UNIT,BLK	1
6	1297793GT	CABLE ASSY,MC TO POWER UNIT,RED	1
7	1288481GT	QUICK DISCONNECT CASING, BATT SB120	2
8	96110GT	BOOT, CABLE, TERMINAL COVER	3
		not shown	
9	79140GT	BOOT,CABLE TERMINAL,RED,XL	1
		not shown	
10	51147GT	BOOT,CABLE TERMINAL,LG,RED,2/0	1
		not shown	
11	55748GT	BOOT,CABLE TERMINAL,SMALL	1
		not shown	
12	28131GT	WIRE LOOM,1.25 DIA	16
		not shown	



212.1 Outrigger Components, GS-3232

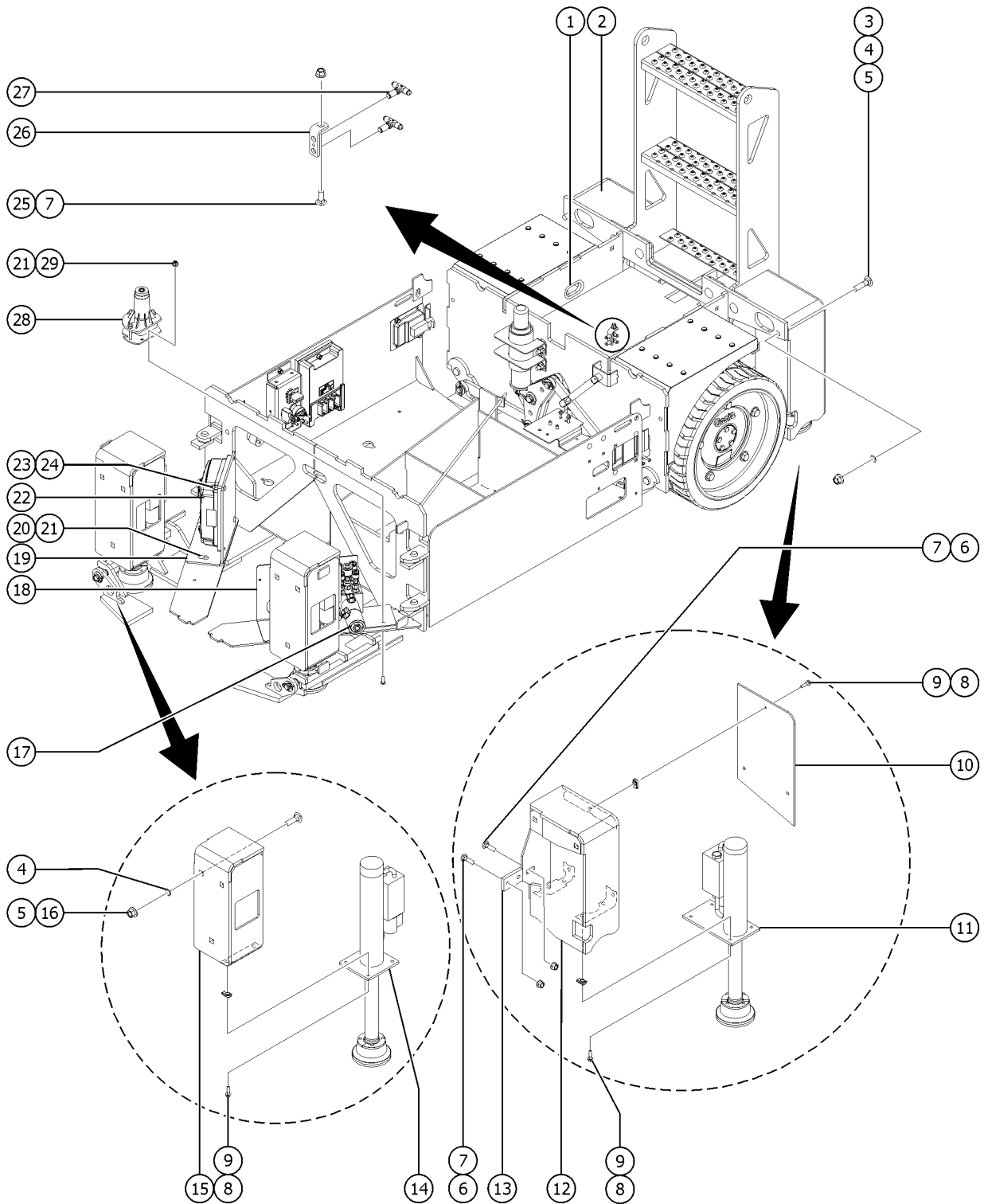


212.1 Outrigger Components, GS-3232

Item	Part No.	Description	Qty.
1	131582GT	GROMMET,RUBBER,1.50IDX.375	2
2	1304908GT	WLDMT,OUTRIGGER,RR	2
3	1255759GT	BOLT,CARRIAGE,1/2-13X2,5,ZAG	4
4	105634GT	WASHER,PUSH ON .75 SHAFT	4
5	1274172GT	NUT,NYLOCK FLG,1/2-13,G,ZAG	4
6	1256756GT	BOLT,CARRIAGE,3/8-16X1.5,5,ZAG	6
7	1274322GT	NUT,NYLOCK FLG,3/8-16,F,ZAG	7
8	824079GT	SCREW,HHF,1/4-20X1,8,ZAG	22
9	56912GT	SPRING CLIP,1/4-20,.025-.15X.54,ZAG	22
10	109745GT	PLATE,REAR COVER	2
11		Ref: Outrigger Cylinder, Rear (refer to 506.1)	
12	1304907GT	WLDMT,OUTRIGGER,LR	2
13	105758GT	PLATE, SHEAR, OUTRIGGER	2
14		Ref: Outrigger Cylinder, Front (refer to 506.1)	
15	1304815GT	WLDMNT,OUTRIGGER,FRONT	2
16	1256115GT	BOLT,CARRIAGE,1/2-13X1.75,5,ZA.	6
17		Ref: Outrigger Function Manifold (refer to 507.1)	1
18	1301745GT	FORMING,3232 COMPONENT BRRACKET,E-DRIVE	1
18-	824124GT	BOLT, CARRIAGE, 1/4-20 X .75, 5, ZAG	2
18-	1277924GT	NUT,NYLOCK FLG,1/4-20,F,ZAG	2
19	1299051GT	FORMING, MC BRACKET GS32/46	1
20	824124GT	BOLT, CARRIAGE, 1/4-20 X .75, 5, ZAG	2
21	1277924GT	NUT,NYLOCK FLG,1/4-20,F,ZAG	5
22	1303778GT	MOTOR CONTROLLER,24V,120A DUAL AC,200A PUMP	1
23	1256463GT	BOLT,CARRIAGE,1/4-20X1.25,5,ZAG	4
24	1274165GT	NUT,NYLOCK,1/4-20,C,ZAG	4
25	824125GT	BOLT,CARRIAGE,3/8-16X1,5,ZAG	1
26	1304830GT	FORMING,TEE	1



212.1 Outrigger Components, GS-3232

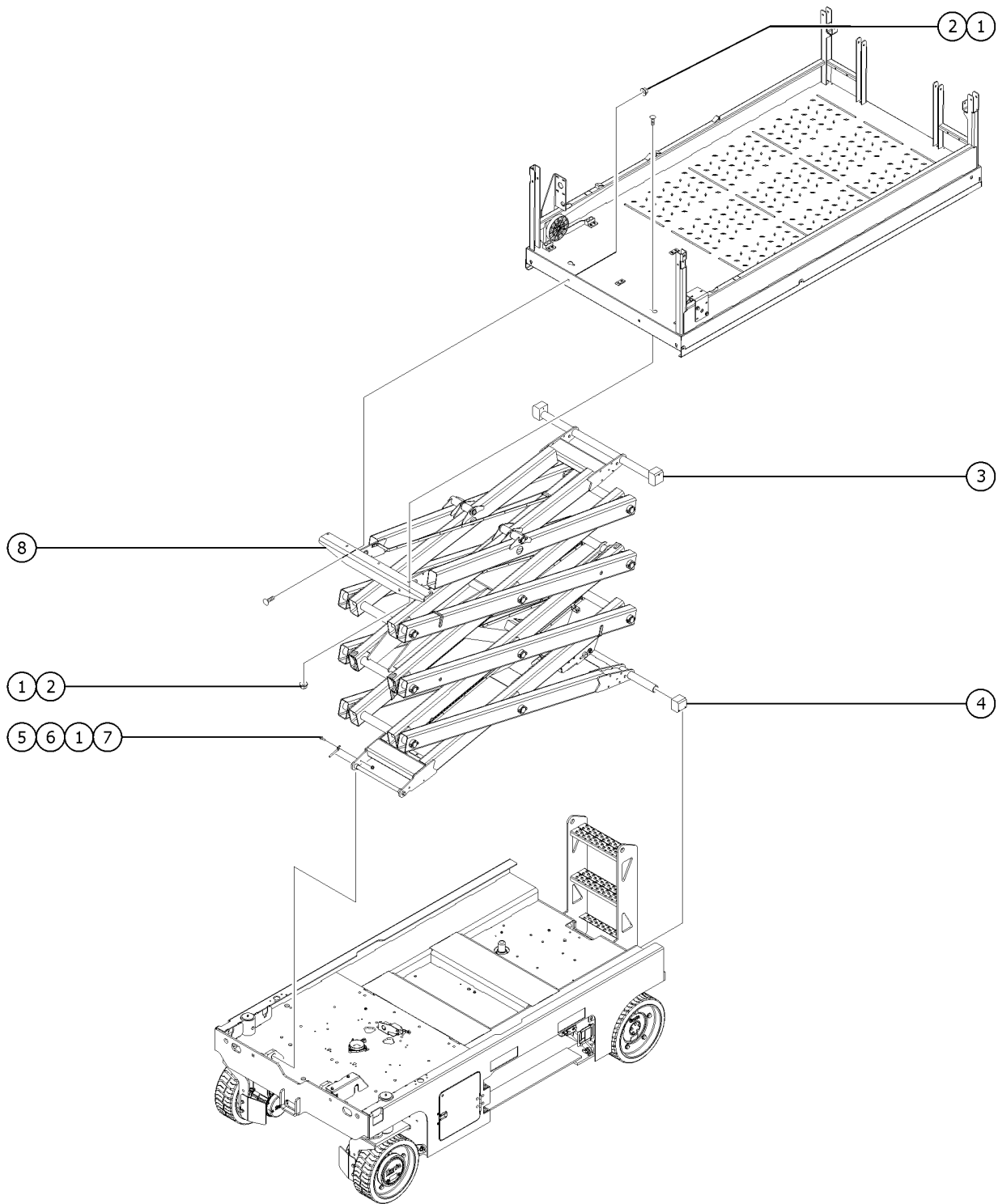


212.1 Outrigger Components, GS-3232

<i>Item</i>	<i>Part No.</i>	<i>Description</i>	<i>Qty.</i>
27	1304513GT	TEE, UNION, 070959-4, WLN	2
28	105708GT	LEVEL SENSOR, ANALOG to GS32D-12075	1
29	1260984GT	SCREW,PHPM,1/4-20X.75,ZAG	3



301.1 Scissor Assembly Installation

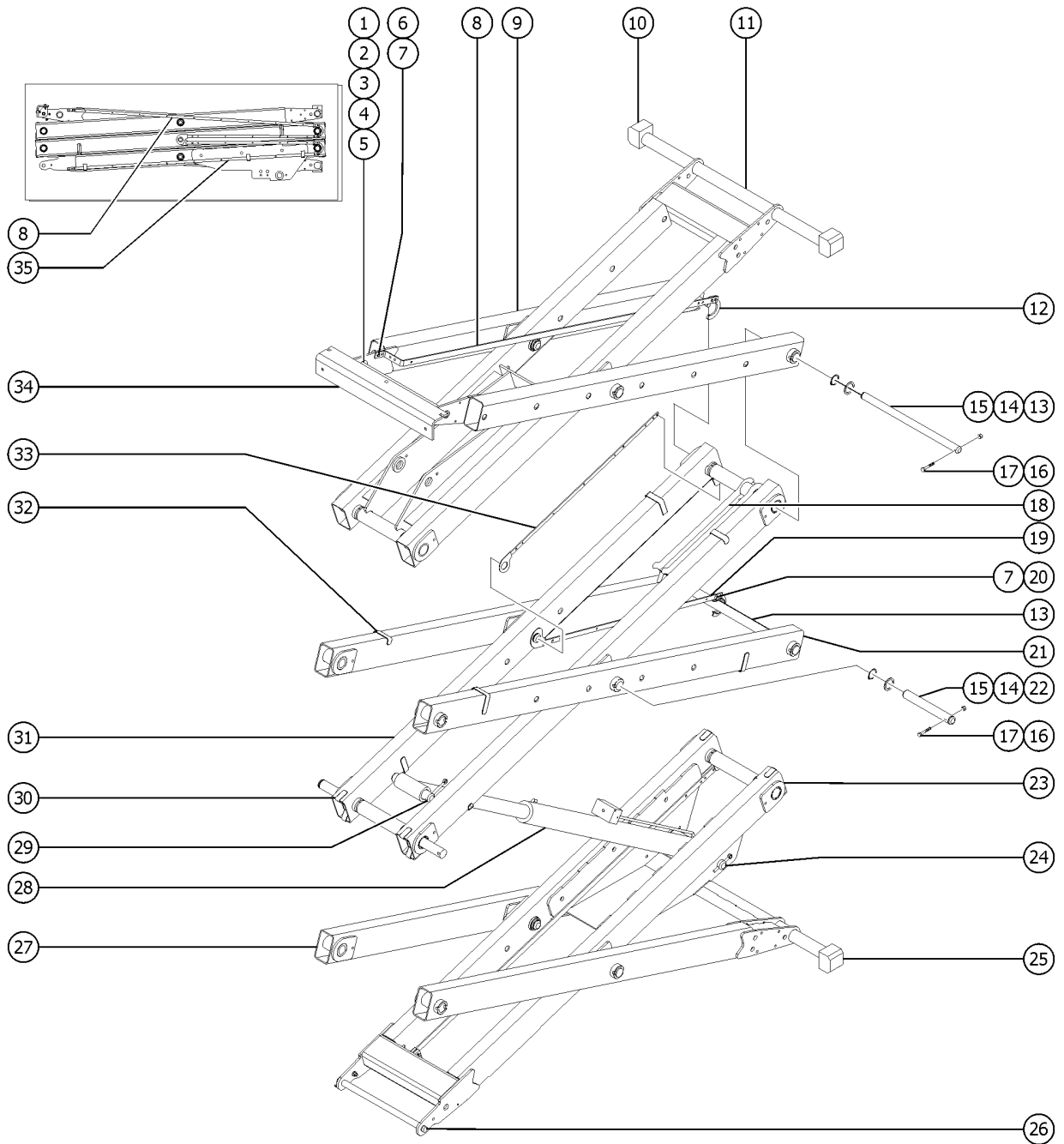


301.1 Scissor Assembly Installation

<i>Item</i>	<i>Part No.</i>	<i>Description</i>	<i>Qty.</i>
1	1274322GT	NUT,NYLOCK FLG,3/8-16,F,ZAG	8
2	1255757GT	BOLT,CARRIAGE,3/8-16X1.25,5,ZAG	4
3	1300939GT	SLIDER, UHMW, GSXX46 PLATFORM	2
4	96595GT	SLIDER,UHMW	2
5	824092GT	SCREW,HHF,3/8-16X1.5,8,ZAG	2
6	825019GT	ROD END, .375X3.69, ZAG	2
7	1302259GT	PIN,LINKSET MOUNT	1
8	132310GT	WELDMENT,PLATFORM MOUNT	1
8-	36369GT	BEARING,0.75IDX1.00ODX0.75L	1

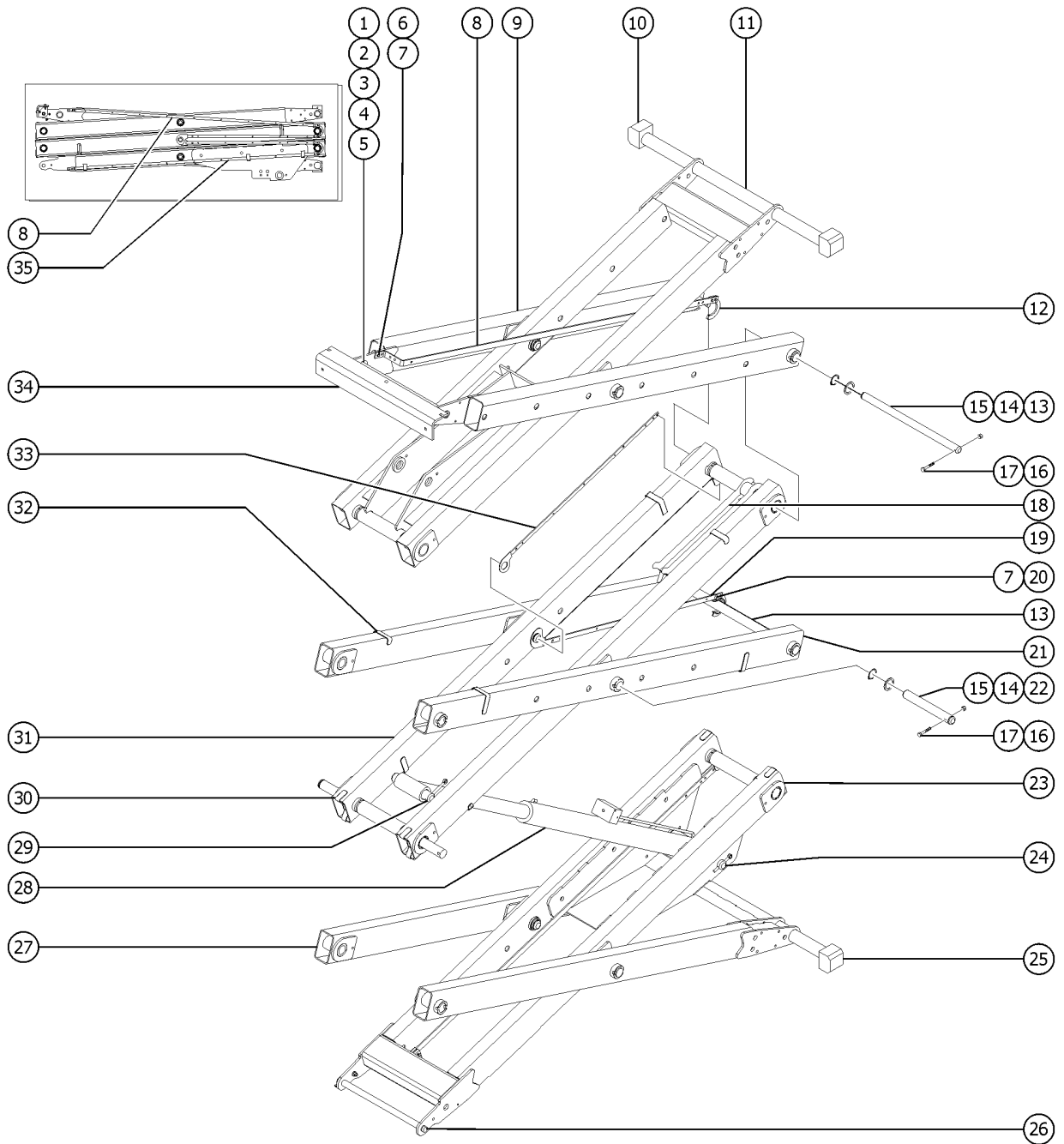


302.1 Scissor Assembly, GS-2032



Item	Part No.	Description	Qty.
1	96932GT	PIN, LINKSET MOUNT, 3/4"	1
2	825020GT	ROD END, .25 X 2.75, ZAG	2
3	824080GT	SCREW,HHF,1/4-20X1.25,8,ZAG	2
4	1277924GT	NUT,NYLOCK FLG,1/4-20,F,ZAG	2
5	36369GT	BEARING,0.75IDX1.00ODX0.75L	2
6	1256127GT	BOLT,CARRIAGE,1/4-20X1",GR 5,ZAG	2
7	1256679GT	NUT,SERRATED,1/4-20,8,ZAG	5
8	132267GT	BAR,CABLE BRIDGE ARM,UPPER	1
9	132304GT	WLDMT,LINK,OUTER#3-20XX,#5-32XX	2
10		Ref. Platform Slider	
		(refer to 301.1)	
11	132299GT	WLDMT,LNK,INNER #3,2032	1
11-	66055GT	BEARING,1.50IDX1.77ODX1.25L	6
12	105193GT	CLIP,CABLEBRIDGE,GS32/46	2
13	96899GT	PIN, LONG, GS46	4
14	1260941GT	WASHER,SHIM,1.54X2.00X.125,ZAG	10
15	825796GT	SNAP RING,EXTERNAL,1.50,ZAG	8
16	1260940GT	SCREW,HHC,3/8-16X3,8,ZAG	10
17	1274166GT	NUT,NYLOCK,3/8-16,C,ZAG	10
18	58000GT	SAFETY CHOCK,SCISSOR	1
		US part number	
18B	229571GT	ASSEMBLY, CHOCK	1
		China part number	
19	132270GT	WLDMT,CABLE BRIDGE,BOTTOM	2
20	1260963GT	BOLT,CARRIAGE,1/4-20X.63,5,ZAG	2
21	132298GT	WLDMT,LNK,OUTER #2,#3,#4	2
22	96900GT	PIN, SHORT, GS46	6
23	1300079GT	ASSEMBLY, LINK, INNER #1	1
		(decals not included refer to section one)	
23-	51474GT	BEARING,1.00IDX1.25ODX0.75L	2
23-	1299483GT	WELDMENT, LNK, LOWER1 ,E-DRIVE	1
		(bearings not included)	
23B	1306187GT	WELDMENT,LOWER LINK XX32.46,KOREA	1
		(Korea option)	

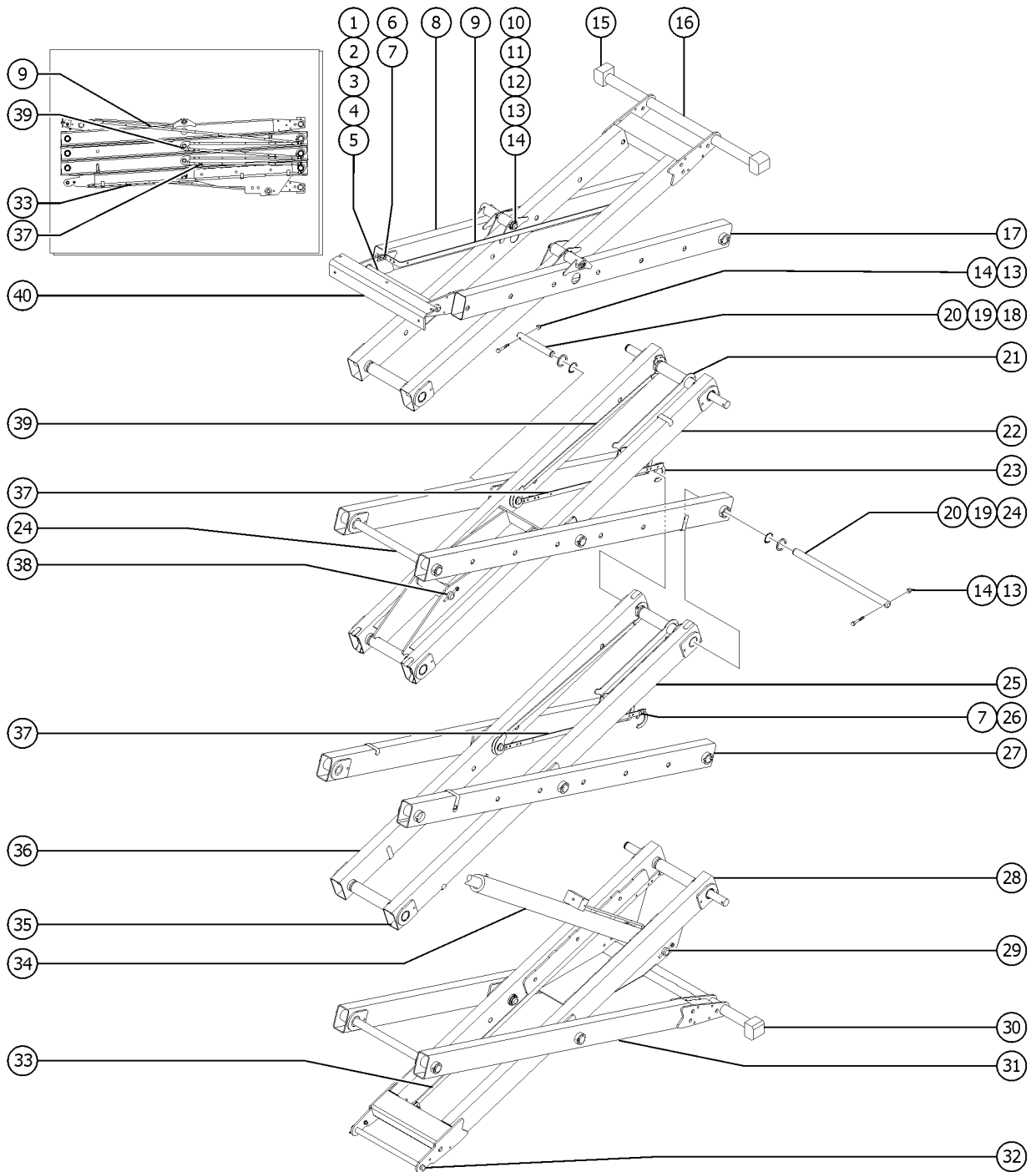
302.1 Scissor Assembly, GS-2032



Item	Part No.	Description	Qty.
24	96662GT	PIN, LOWER CYLINDER MOUNT	1
25		Ref. Chassis Slider (refer to 301.1)	
26		Ref. Pin, Linkset Mount (refer to 301.1)	1
27	132288GT	WLDMT,LNK,OUTER #1,GS32 (decal not included refer to section one)	1
28		Ref. Lift Cylinder (refer to 503.1)	
29	96661GT	PIN, UPPER CYLINDER MOUNT	1
30	96735GT	LINK BUMPER, 5"	4
31	132294GT	WLDMT,LNK,INNER #2	1
31-	66055GT	BEARING,1.50IDX1.77ODX1.25L	8
32	96836GT	LINK BUMPER, SHORT TUBE	8
33	132273GT	WELDMENT.CABLE BRIDGE, TOP	1
34		Ref. Platform Mounting Assembly (refer to 301.1)	
35	132266GT	WLDMNT,CABLE BRIDGE,LOWER	1

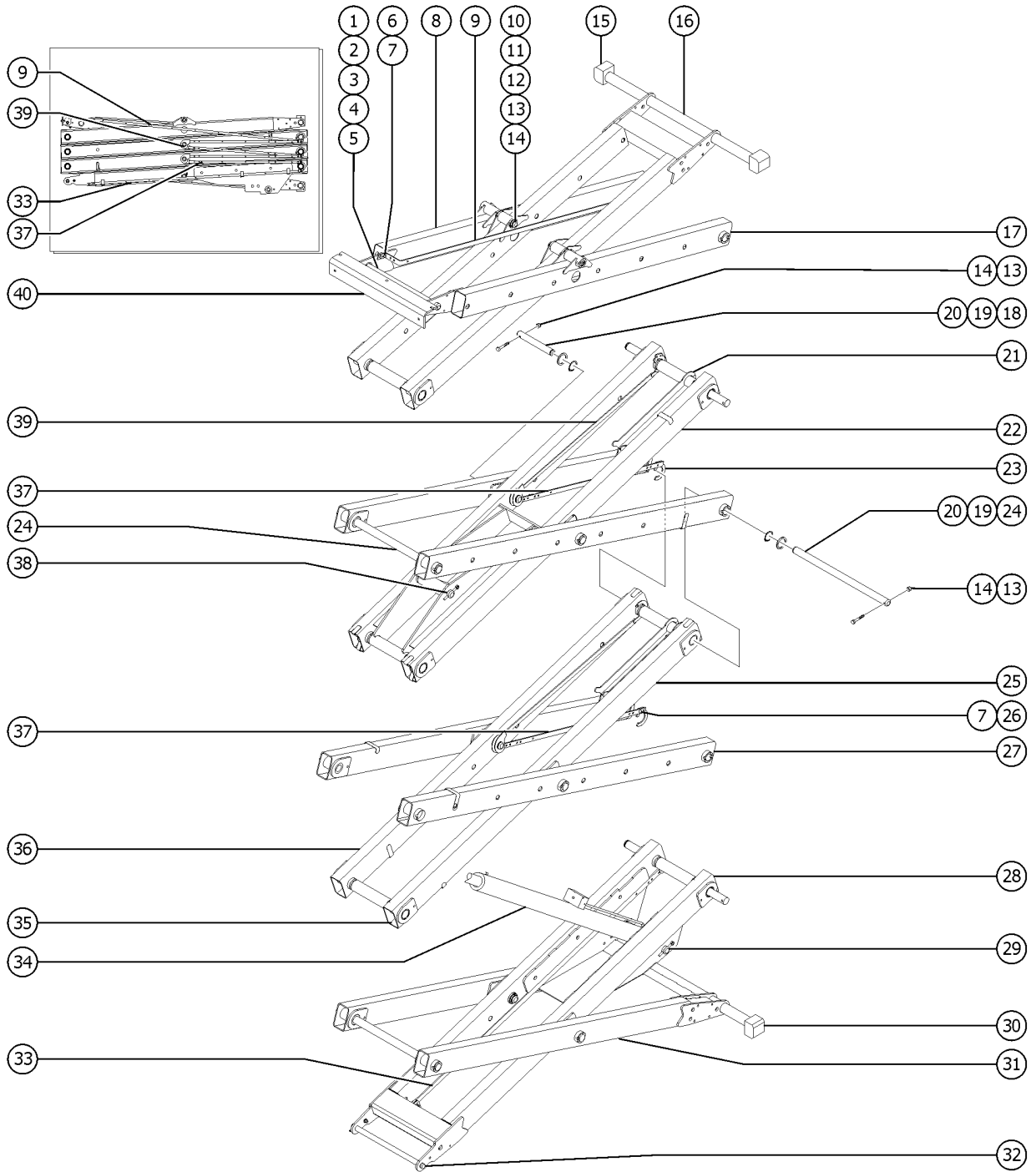


303.1 Scissor Assembly, GS-2632



Item	Part No.	Description	Qty.
1	96932GT	PIN, LINKSET MOUNT, 3/4"	1
2	825020GT	ROD END, .25 X 2.75, ZAG	2
3	824080GT	SCREW,HHF,1/4-20X1.25,8,ZAG	2
4	1277924GT	NUT,NYLOCK FLG,1/4-20,F,ZAG	2
5	36369GT	BEARING,0.75IDX1.00ODX0.75L	2
6	1256127GT	BOLT,CARRIAGE,1/4-20X1",GR 5,ZAG	2
7	1256679GT	NUT,SERRATED,1/4-20,8,ZAG	6
8	132383GT	WELDMENT,LNK,OUTER#4,RIGHT (ground controls side)	1
9	132267GT	BAR,CABLE BRIDGE ARM,UPPER	
10	96130GT	PIN, MINI, CENTRE	2
11	824164GT	SNAP RING,EXTERNAL,1.25,ZAG	2
12	824151GT	WASHER,SHIM,1.270X2.130X.062,Z	2
13	1274166GT	NUT,NYLOCK,3/8-16,C,ZAG	14
14	1260940GT	SCREW,HHC,3/8-16X3,8,ZAG	14
15		Ref. Platform Slider	
		(refer to 301.1)	
16	132379GT	WLDMT,LNK,INNER #4,2632	1
		(bearings not included)	
16-	66055GT	BEARING,1.50IDX1.77ODX1.25L	6
17	132385GT	WELDMENT,LNK,OUTER#4,LEFT	1
		(battery pack side)	
18	96900GT	PIN, SHORT, GS46	6
19	1260941GT	WASHER,SHIM,1.54X2.00X.125,ZAG	10
20	825796GT	SNAP RING,EXTERNAL,1.50,ZAG	12
21	58000GT	SAFETY CHOCK,SCISSOR	1
		US part number	
21B	229571GT	ASSEMBLY, CHOCK	1
		China part number	
22	132375GT	WLDMT,LNK,INNER #3, 26XX	1
22-	66055GT	BEARING,1.50IDX1.77ODX1.25L	8
23	105193GT	CLIP,CABLEBRIDGE,GS32/46	
24	96899GT	PIN, LONG, GS46	6
25	96836GT	LINK BUMPER, SHORT TUBE	8

303.1 Scissor Assembly, GS-2632

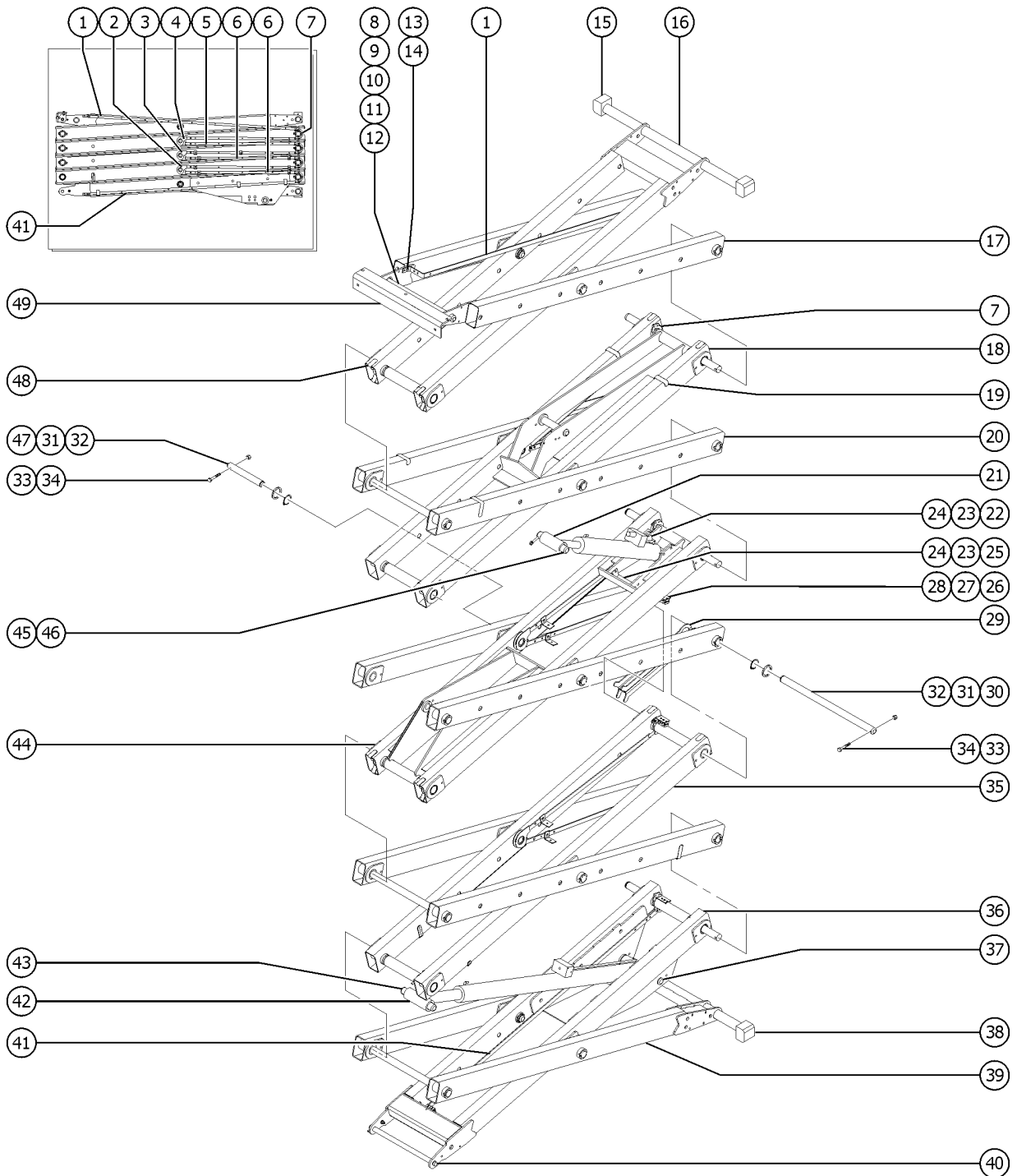


303.1 Scissor Assembly, GS-2632

Item	Part No.	Description	Qty.
26	1260963GT	BOLT,CARRIAGE,1/4-20X.63,5,ZAG	3
27	132298GT	WLDMT,LNK,OUTER #2,#3,#4	4
28	1300079GT	ASSEMBLY, LINK, INNER #1	1
		(decal not included refer to section one)	
28-	66055GT	BEARING,1.50IDX1.77ODX1.25L	6
28-	1299483GT	WELDMENT, LNK, LOWER1 ,E-DRIVE	1
		(bearings not included)	
28B	1306187GT	WELDMENT,LOWER LINK XX32.46,KOREA	1
		(Korea option)	
28B-	66055GT	BEARING,1.50IDX1.77ODX1.25L	6
29	96662GT	PIN, LOWER CYLINDER MOUNT	6
30		Ref. Chassis Slider	
		(refer to 301.1)	
31	132288GT	WLDMT,LNK,OUTER #1,GS32	1
		(decal not included refer to section one)	
32		Ref. Pin, Linkset Mount	1
		(refer to 301.1)	
33	132266GT	WLDMNT,CABLE BRIDGE,LOWER	
34		Ref. Lift Cylinder	
		(refer to 503.1)	
35	96735GT	LINK BUMPER, 5"	4
36	132294GT	WLDMT,LNK,INNER #2	1
36-	66055GT	BEARING,1.50IDX1.77ODX1.25L	8
37	132270GT	WLDMT,CABLE BRIDGE,BOTTOM	
38	96812GT	PIN, LOWER CYL, ROD END	1
39	132273GT	WELDMENT.CABLE BRIDGE, TOP	
40		Ref. Platform Mount Assembly	
		(refer to 301.1)	

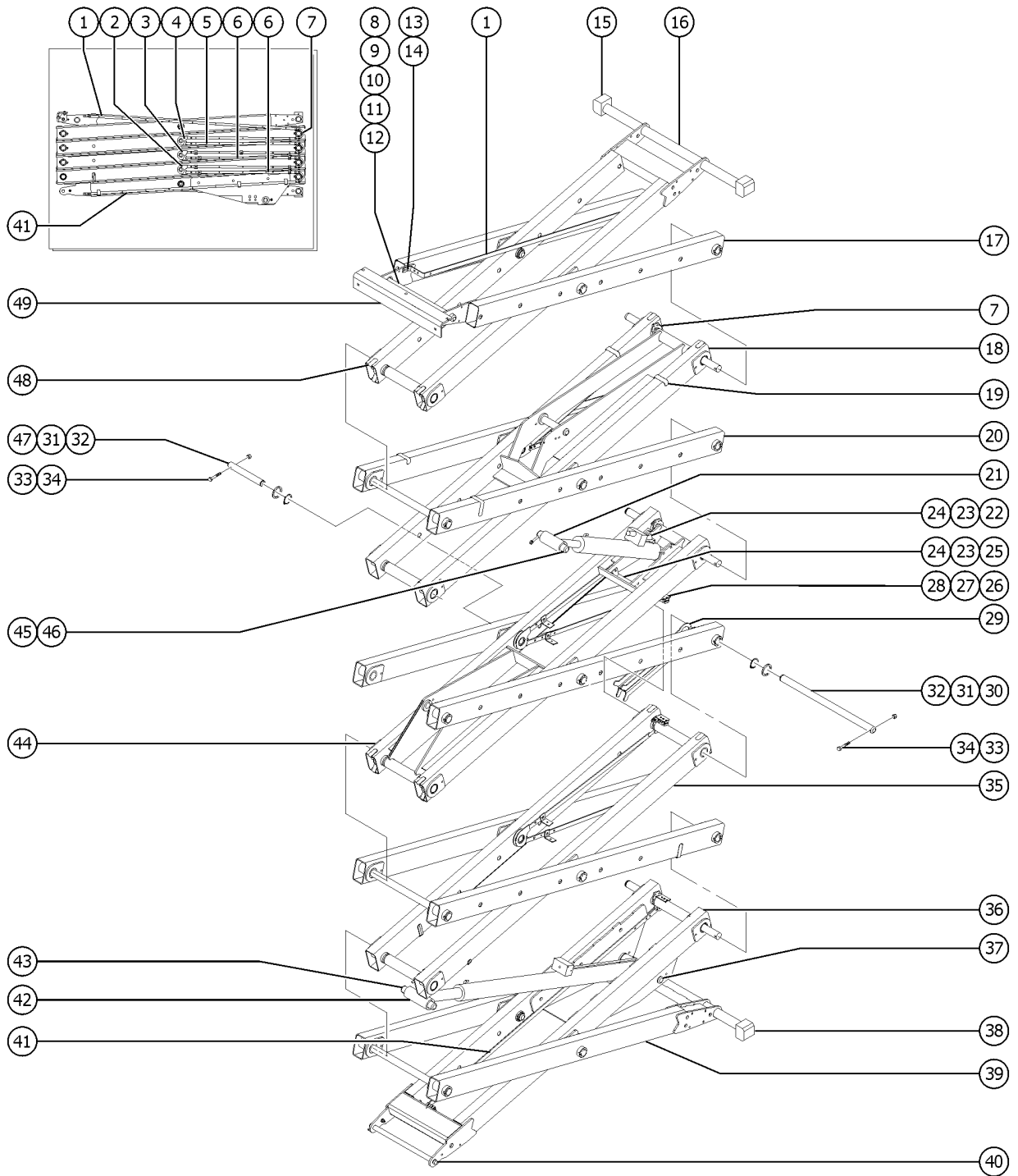


304.1 Scissor Assembly, GS-3232



Item	Part No.	Description	Qty.
1	132267GT	BAR,CABLE BRIDGE ARM,UPPER	1
2	132390GT	WLDMNT,CABLE BRIDGE, TOP,32XX,M	1
3	132436GT	WLDMNT,CABLE BRIDGE,MID,32XX,M	1
4	132273GT	WELDMENT.CABLE BRIDGE, TOP	1
5	132270GT	WLDMT,CABLE BRIDGE,BOTTOM	1
6	132392GT	WLDMNT,CABLE BRIDGE,BTM,32XX,M	2
7	105193GT	CLIP,CABLEBRIDGE,GS32/46	4
8	96932GT	PIN, LINKSET MOUNT, 3/4"	1
9	825020GT	ROD END, .25 X 2.75, ZAG	2
10	824080GT	SCREW,HHF,1/4-20X1.25,8,ZAG	2
11	1277924GT	NUT,NYLOCK FLG,1/4-20,F,ZAG	2
12	36369GT	BEARING,0.75IDX1.00ODX0.75L	2
13	1256127GT	BOLT,CARRIAGE,1/4-20X1",GR 5,ZAG	2
14	1256679GT	NUT,SERRATED,1/4-20,8,ZAG	7
15		Ref. Platform Slider	
		(refer to 301.1)	
16	1294708GT	WLDMT,LNK,INNER #5,3232	1
16-	66055GT	BEARING,1.50IDX1.77ODX1.25L	8
17	132304GT	WLDMT,LINK,OUTER#3-20XX,#5-32XX	2
18	132401GT	WLDMT,LINK,INNER#4,32XX	1
18-	66055GT	BEARING,1.50IDX1.77ODX1.25L	8
19	96836GT	LINK BUMPER, SHORT TUBE	8
20	132298GT	WLDMT,LNK,OUTER #2,#3,#4	6
21		Ref. Lift Cylinder, Top	
		(refer to 503.1)	
22	132521GT	PLATE, PIN RETAINER	2
23	1256756GT	BOLT,CARRIAGE,3/8-16X1.5,5,ZAG	4
24	1274322GT	NUT,NYLOCK FLG,3/8-16,F,ZAG	8
25	96971GT	FORMING,HOSE CLAMP,UPPER CYL	1
26	78736GT	CLAMP, 2 HOSE, PLASTIC, 5/8	18

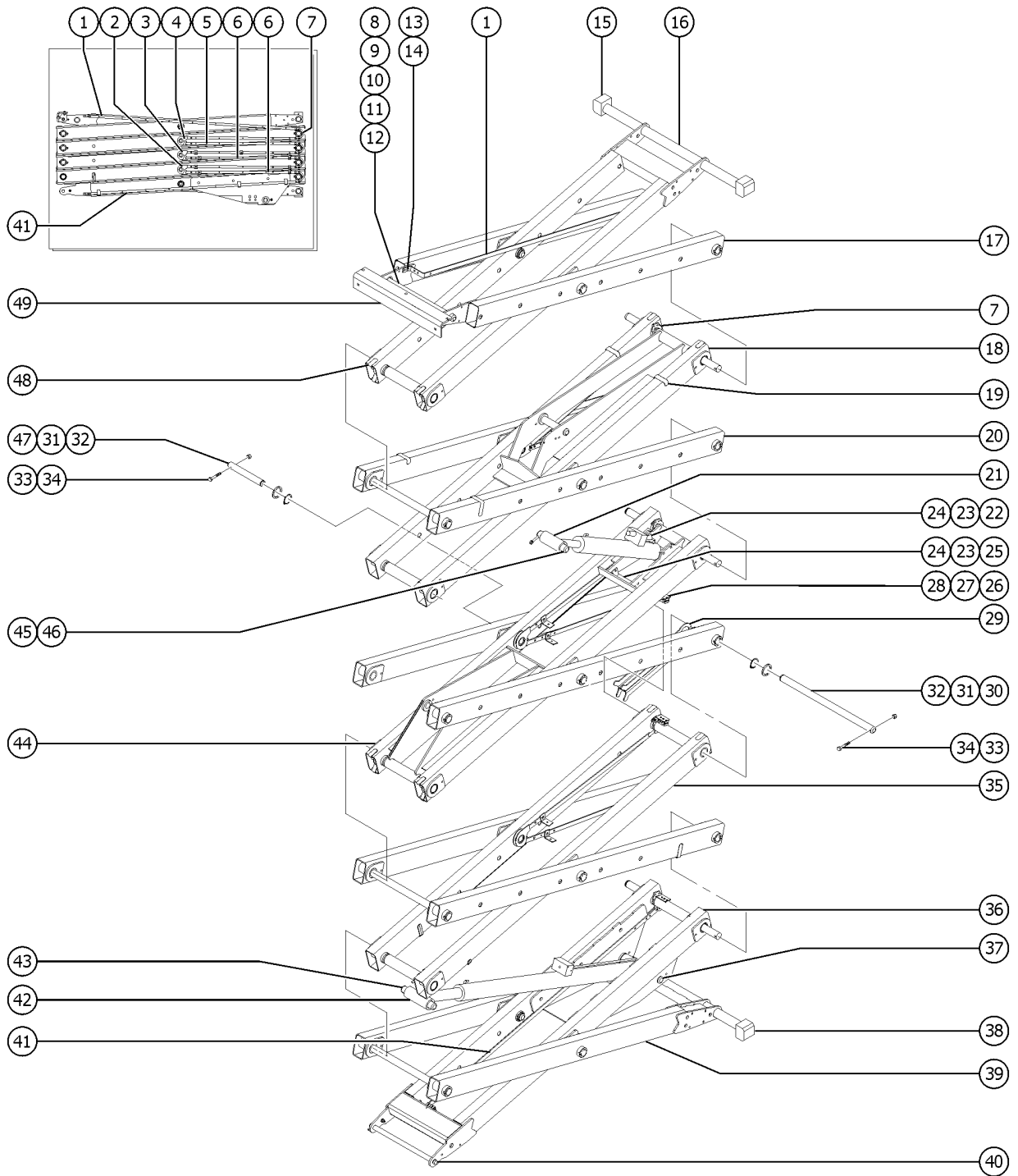
304.1 Scissor Assembly, GS-3232



Item	Part No.	Description	Qty.
27	1259201GT	BOLT,CARRIAGE,10-24X2,A,ZAG	9
28	1274170GT	NUT, NYLOCK, 10-24, A, ZAG	11
29	58000GT	SAFETY CHOCK,SCISSOR	1
		US part number	
29B	229571GT	ASSEMBLY, CHOCK	1
		China part number	
30	96899GT	PIN, LONG, GS46	8
31	1260941GT	WASHER,SHIM,1.54X2.00X.125,ZAG	15
32	825796GT	SNAP RING,EXTERNAL,1.50,ZAG	18
33	1260940GT	SCREW,HHC,3/8-16X3,8,ZAG	14
34	1274166GT	NUT,NYLOCK,3/8-16,C,ZAG	18
35	132294GT	WLDMT,LNK,INNER #2	1
35-	66055GT	BEARING,1.50IDX1.77ODX1.25L	8
36	1300079GT	ASSEMBLY, LINK, INNER #1	1
		(decal not included refer to section one)	
36-	66055GT	BEARING,1.50IDX1.77ODX1.25L	6
36-	1299483GT	WELDMENT, LNK, LOWER1 ,E-DRIVE	
		(bearings not included)	
36B	1306187GT	WELDMENT,LOWER LINK XX32.46,KOREA	1
		(Korea option)	
36B-	66055GT	BEARING,1.50IDX1.77ODX1.25L	6
37	96662GT	PIN, LOWER CYLINDER MOUNT	1
38		Ref. Chassis Slider	
		(refer to 301.1)	
39	132288GT	WLDMT,LNK,OUTER #1,GS32	1
		(decal not included refer to section one)	
40		Ref. Pin, Linkset Mount	1
		(refer to 301.1)	
41	132266GT	WLDMNT,CABLE BRIDGE,LOWER	1
42		Ref. Lift Cylinder, Bottom	
		(refer to 503.1)	
43	96812GT	PIN, LOWER CYL, ROD END	1
44	132393GT	PIN, LOWER CYL, ROD END	1
45	96661GT	PIN, UPPER CYLINDER MOUNT	1
46	96663GT	PIN, SADDLE CYLINDER MOUNT	1
47	96900GT	PIN, SHORT, GS46	6
48	96735GT	LINK BUMPER, 5"	8



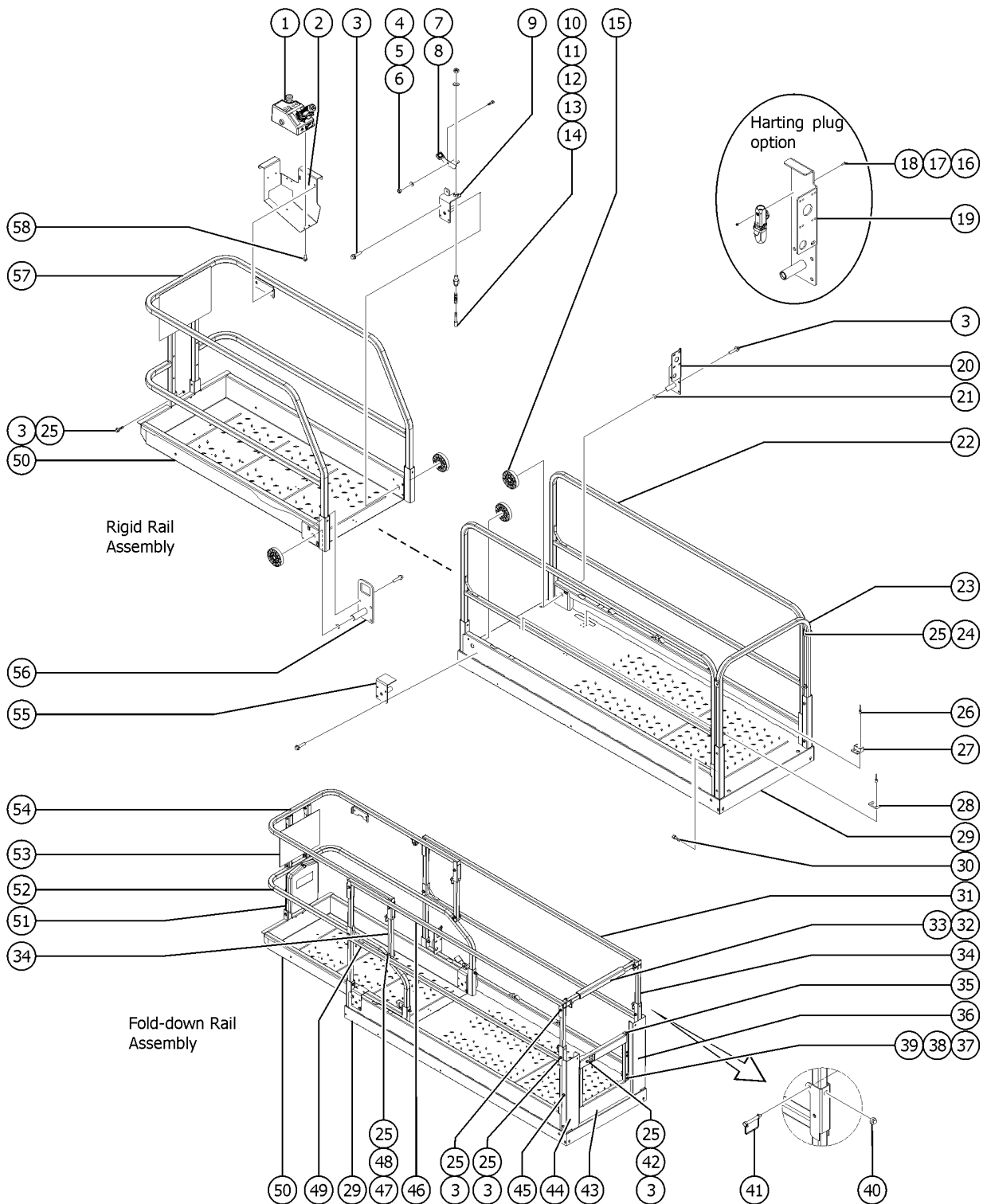
304.1 Scissor Assembly, GS-3232



<i>Item</i>	<i>Part No.</i>	<i>Description</i>	<i>Qty.</i>
49		Ref. Platform Mount Assembly (refer to 301.1)	



401.1 Platform Components

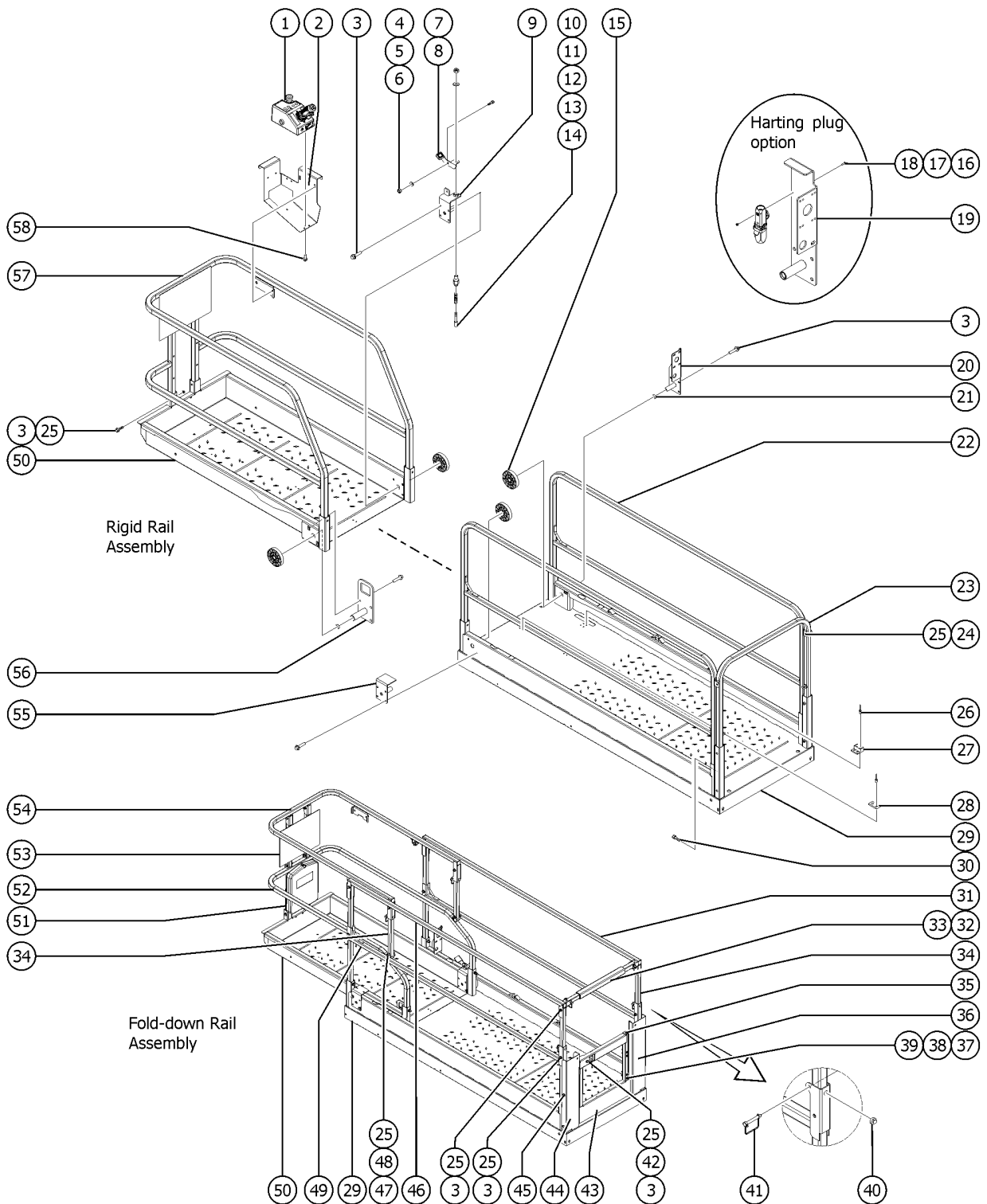


401.1 Platform Components

Item	Part No.	Description	Qty.
1		Ref. Platform Control Box (refer to 403.1)	
2		Ref. Platform Control Box Mount Bracket (refer to 403.1)	
3	1253478GT	SCREW,HHF,3/8-16X2,8,ZAG	8
4	1252977GT	NUT,TL JAM,5/16-18,A,ZAG	1
5	825358GT	WASHER,FLAT,5/16,USS,ZAG	1
6	1259223GT	BOLT,SHS,3/8X.375X5/16-18,ZAG	1
7	46260GT	FOOTPEDAL W/NON-SKID TAPE,GS**	1
8	47225GT	TAPE, NON-SKID, DIE CUT, 1.38 X 1.5	1
9	132151GT	ROLLER SUPPORT BRACKET	1
10	1259181GT	PIN,LOCK,0.5X3.125,ZAG	1
11	39469GT	SPRING,COMPRESSION.485 X1.75**	1
12	41630GT	HOUSING, LOCK PIN	1
13	1255758GT	WASHER,FLAT,3/8,USS,ZAG	1
14	824038GT	NUT, TL JAM, 3/8-16, A, ZAG	1
15	47163GT	ROLLER,PLATFORM EXTENSION	4
16	1253477GT	SCREW,PHPM,4-40X.5,ZAG	2
17	1280958GT	CABLE,PLATFORM CONTROL,GS,HARTING CONN OPTION	1
18	1259339GT	NUT,4-40,ZAG	2
19	1286357GT	WLDMT,ROLLER BRKT,RT,HARTING PIUG	1
20	132128GT	ROLLER BRKT RT (ground controls side)	1
21	21279GT	BUTTON, .800 O.D. X .281	3
22	66893GT	WELDMENT, MAIN SIDERAIL	2
23	105146GT	FORMING,SG HEADER RAIL,GS2032	
24	1256693GT	SCREW,HHF,3/8-16X2.25,8,ZAG	
25	1274322GT	NUT,NYLOCK FLG,3/8-16,F,ZAG	
26	39579GT	RIVET,STL,STL,.188 X .45	20
27	39310GT	WEAR/GUIDE PAD MAIN PLATFORM	4
28	39474GT	WEAR PAD, PLATFORM	4



401.1 Platform Components

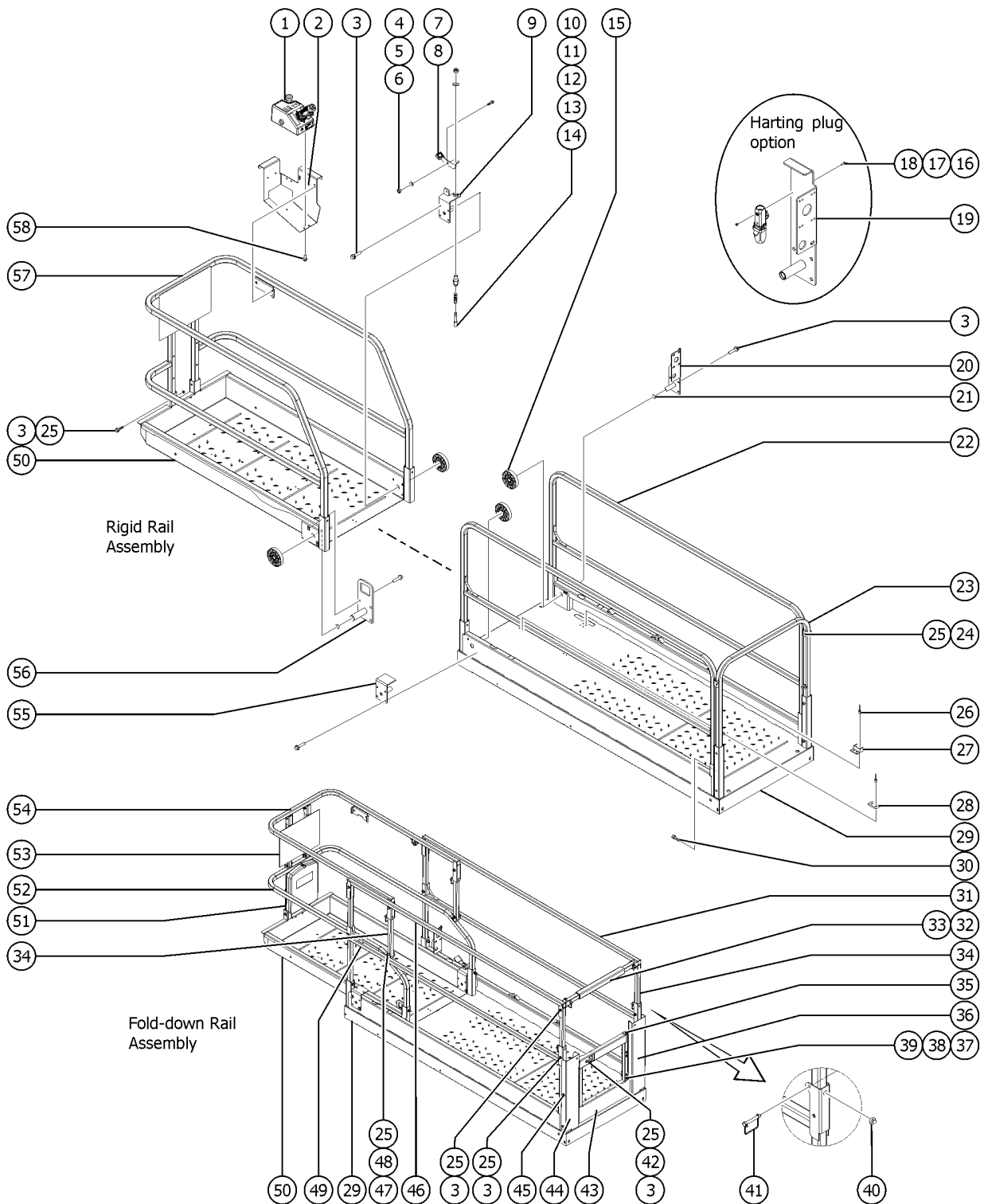


401.1 Platform Components

Item	Part No.	Description	Qty.
29	1302363GT	WLDMNT, PLATFORM, MIDI, PUNCHED	1
30	824067GT	SCREW,HHC,3/8-16X1,8,ZAG	
31	132248GT	WELDMNT, TOP RAIL, MAIL PLAT, RT	1
31-	78038GT	CAP, PLASTIC, 1.25 X 0.08"	
32	47188GT	FOAM, CLOSED CELL 1.75X.250X18"	1
33	132265GT	ENTRY SWING TUBE	1
34	132213GT	TUBE, VERT, FOLDING	6
35	78038GT	CAP, PLASTIC, 1.25 X 0.08"	1
36	132227GT	FORMING HALF GATE, HINGE	1
37	1253485GT	SCREW,HHF,1/4-20X2,8,ZAG	4
38	104804GT	HINGE, SPRING, LONG LEG	2
39	1277924GT	NUT,NYLOCK FLG,1/4-20,F,ZAG	4
40	43392GT	BUMPER,BATTERY BOX & RAILS	
41	1311454GT	PIN,WIRE LOCK,3/8X2-1/2SQ TAB LOCK	
42	65990-SGT	KIT,GATE LATCH (includes latch, spring and hardware)	1
43	132021GT	WLDMT, HALF GATE (decals not included, refer to section one)	1
44	132237GT	WLDT HALF GATE CATCH (battery pack side)	1
45	824094GT	SCREW,HHF,3/8-16X2.75,8,ZAG	4
46	132240GT	WLDMT, TOP RAIL, MAIL PLAT, RT (fold-down)	4
46-	78038GT	CAP, PLASTIC, 1.25 X 0.08"	
47	1260926GT	BOLT,CARRIAGE,3/8-16X2.25,5,ZAG	2
48	1277860GT	GLIDE BUTTON, FOLDING RAILS	2
49	132244GT	WELDMNT, MAIN PLAT,LWR SIDERAIL (fold-down)	2
50	1302369GT	WLDMNT, EXT DECK, MIDI, PUNCHED	1
51	24514GT	BOX,INSTRUCTION STORAGE (decals not included, refer to section one)	1
52	1273880GT	WELDMNT,FOLDING,LOWER,EXTENSION	1
53	132207GT	WLDMT, DECAL PLATE (decals not included, refer to section one)	3
54	1273881GT	WELDMNT,EXTENSION DECK RAIL,UPPER (decals not included, refer to section one)	1



401.1 Platform Components

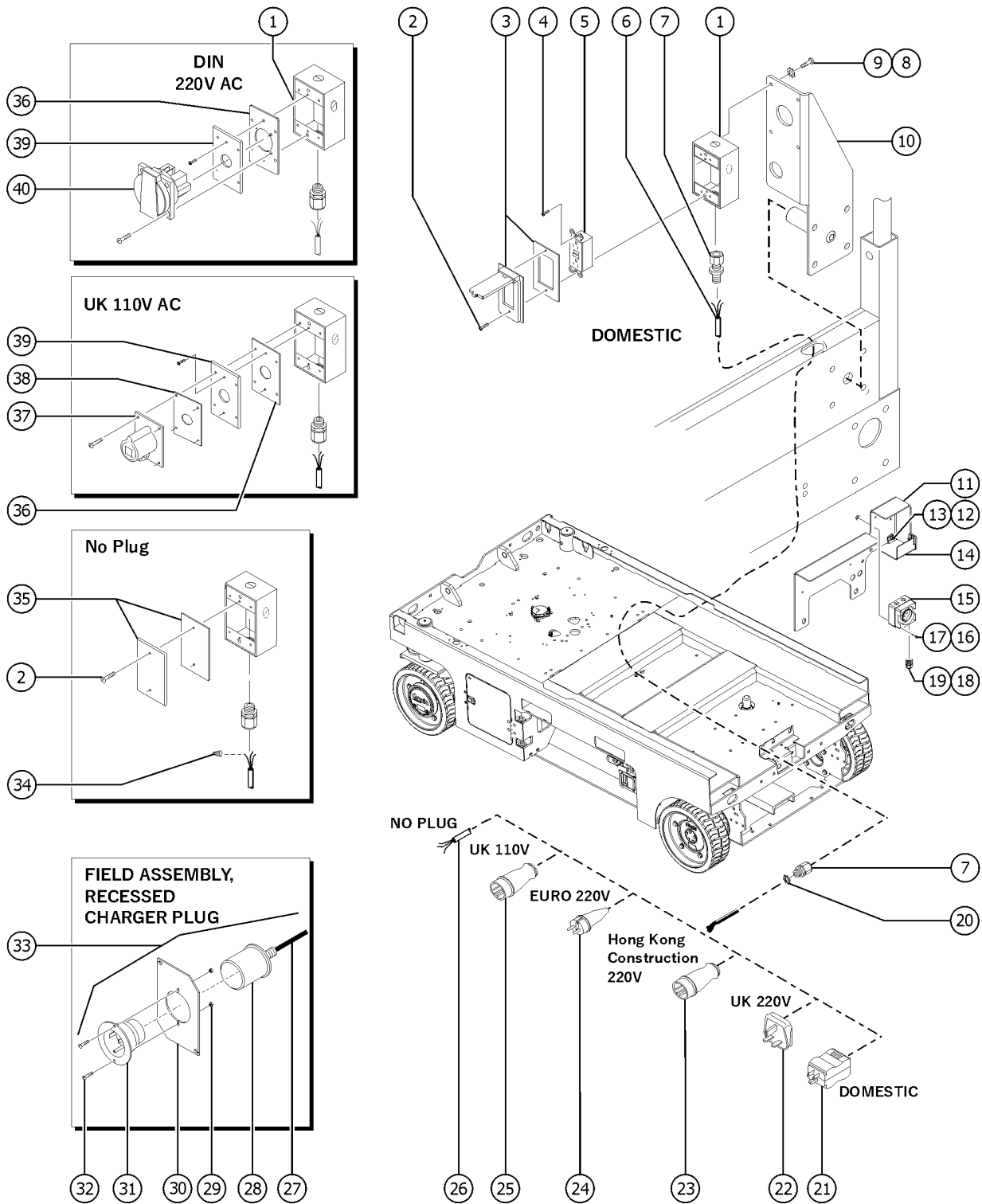


401.1 Platform Components

<i>Item</i>	<i>Part No.</i>	<i>Description</i>	<i>Qty.</i>
55	132127GT	ROLLER BRKT LEFT	3
56	132121GT	WELDMENT PLATFORM LANYARD	1
57	105091GT	WELDMENT,EXT SIDERAIL***	1
58	824078GT	SCREW,HHF,1/4-20X.75,8,ZAG	1



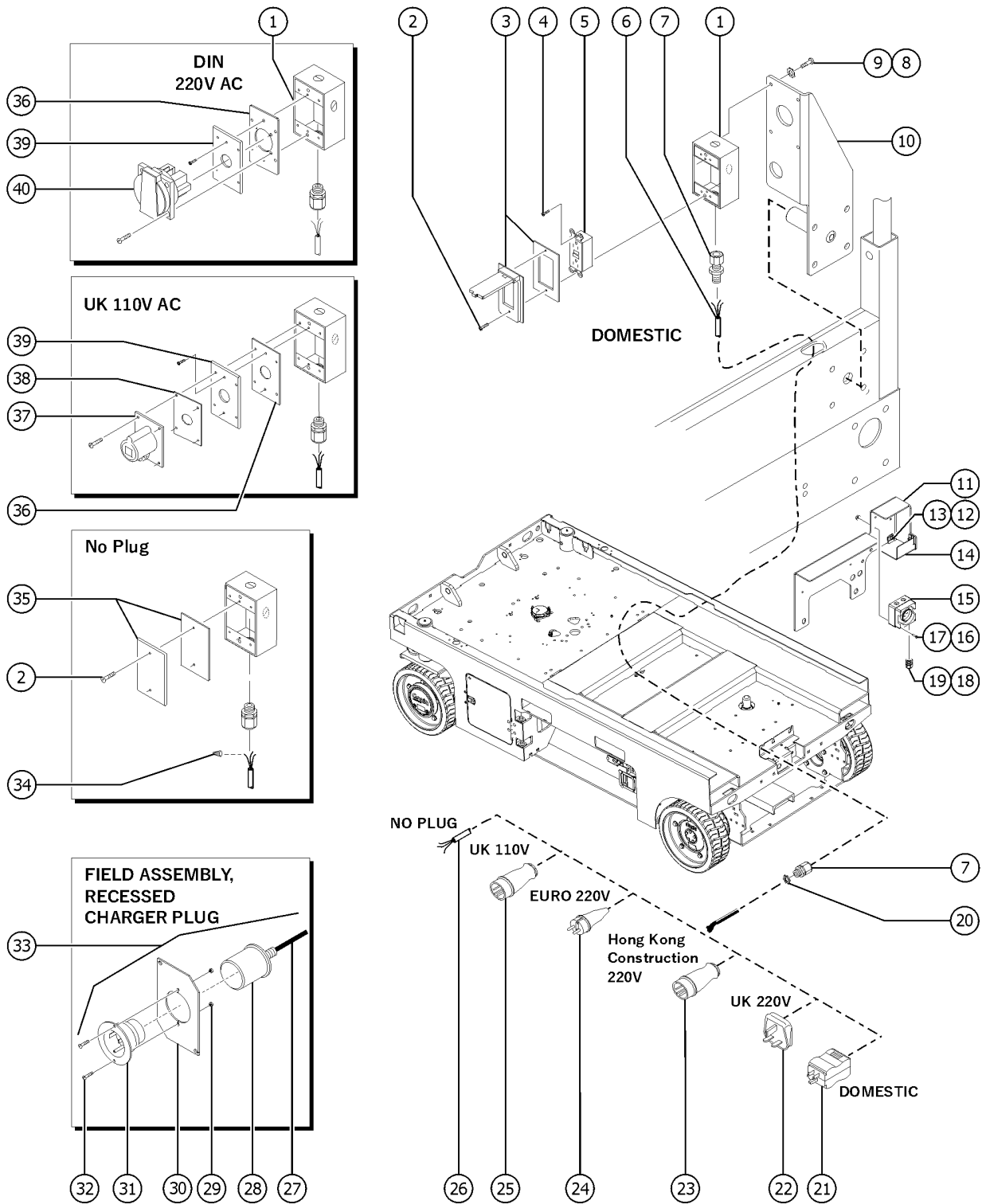
402.1 Power to Platform



Item	Part No.	Description	Qty.
A	33724GT	KIT,GASKET,UK POWER TO PLAT (includes 1 each, items 27 and 29)	
1	1310378GT	T-BOX, 2.75 X 4.5 X 2.0**	1
2	7127GT	SCREW,PHILLIPS,PHM,6-32 X .75	
3	74006GT	COVER,GFCI,HORIZONTAL,WEATHER (ANSI and CSA models) (includes gasket and mounting fasteners)	1
3B	105812GT	COVER,T-BOX LOCKABLE EE rated (not shown)	1
4	45546GT	SCREW,RHM,6-32 X .5	
5	13585GT	OUTLET, 110V ANSI and CSA models	1
6	43956GT	WIRE CABLE, 14/GA/3 CON. TPE JKT* GS-2032	456
6B	43956GT	WIRE CABLE, 14/GA/3 CON. TPE JKT* GS-2632	516
6C	43956GT	WIRE CABLE, 14/GA/3 CON. TPE JKT* GS-3232	624
7	7056GT	CONN, SQZ, 1/2NPT, 0.38-0.50,SM	1
8	112772GT	SCREW,PHM,8-32X.438	
9	44936GT	WASHER,STAR,EXTERNAL,#8	4
10		Ref. ROLLER BRACKET (refer to 401.1)	
11	1305634GT	FORMING,AUS BRKT,GS32 AUS plug option	1
12	824078GT	SCREW,HHF,1/4-20X.75,8,ZAG AUS plug option	2
13	56912GT	SPRING CLIP,1/4-20,.025-.15X.54,ZAG AUS plug option	2
14	1305746GT	FORMING,AUS BRKT GUARD,GS32 AUS plug option	1
15	1284302GT	SCREW, PHPM, 10-32 X .75, ZAG AUS plug option	1
16	824215GT	SCREW, PHPM, 10-32 X .75, ZAG AUS plug option	4
17	824032GT	NUT,TL FLG,10-32,F,ZAG AUS plug option	4
18	160412GT	WATER PROOF JOINT;PG13.5;M20X1.5 AUS plug option	2
19	96009GT	WASHER,NITRILE AUS plug option	1
20	6935GT	CONN, SQZ, 1/2NPT, LOCKNUT	1
21	6595GT	PLUG,ELECTRICAL,DOMESTIC	2
22	25388GT	PLUG,FUSED,250V,13AMP,U.K.**	
23	1263471GT	PLUG,IEC60309 CEE, 3PIN 220-24 (Hong Kong Construction)	1
24	1280665GT	PLUG, TYPE F, 230A, 50HZ, 16A, IP44	



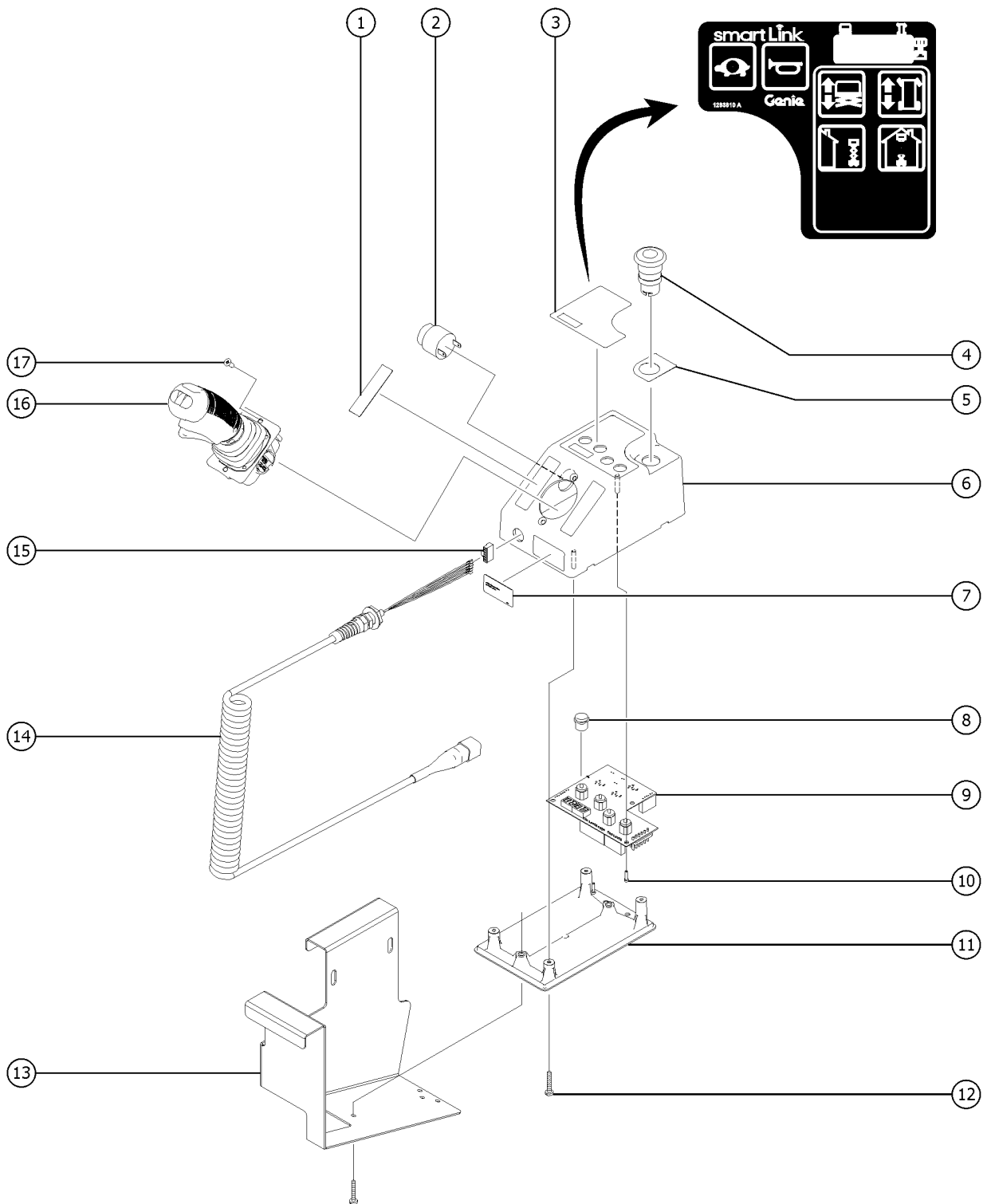
402.1 Power to Platform



Item	Part No.	Description	Qty.
25	144161GT	PLUG,PWR,UK,16AMP,3PIN,BLK	
26	105117GT	PLUG,FLG INLET,15A/125V,2PWGD	
26-	105118GT	GASKET,(BOOT) FLANGE INLET PLG	
27	48282GT	POWER CORD, IEC 320 BLANK, 79"	1
28	105118GT	GASKET,(BOOT) FLANGE INLET PLG	1
29	1258187GT	NUT,TL,8-32,A,ZAG	2
30	105483-SGT	PLATE,AC ADAPTER(ANSI/CSA)	1
30-	6091GT	NUT, NYLOCK, 1/4-20	2
30-	6878GT	BOLT,CARRIAGE,1/4-20 X .75,G2	2
		not included	
31	105117GT	PLUG,FLG INLET,15A/125V,2PWGD	1
32	1268950GT	SCREW,PHPM,8-32X.50,ZAG	2
33	144129GT	RECESSED SIDE PLUG ASSY, GS	1
34	6626GT	WIRE CAP,ORANGE	1
35	10777GT	COVER, BLANK	1
36	66355GT	GASKET, UK & DIN PWR. TO PLAT	1
		2.9 x 2.9 inches	
37	T112560GT	RECEPTACLE,UK,110 VOLT	1
38	66356GT	GASKET, UK RECEPTACLE	1
		2.9 x 2.9 inches	
39	105483-SGT	PLATE,AC ADAPTER(ANSI/CSA)	
		ANSI/CSA	
39B	96236GT	PLATE,AC ADAPTER,DIN/UK***	
39C	T112561GT	PLATE,UK POWER TO PLATFORM	
39D	105090GT	PLATE, AC ADAPTER(AUS)	
40	66353GT	RECEPTACLE, DIN, 220V 50A	1



403.1 Platform Controls (GS-2032, GS-2632)

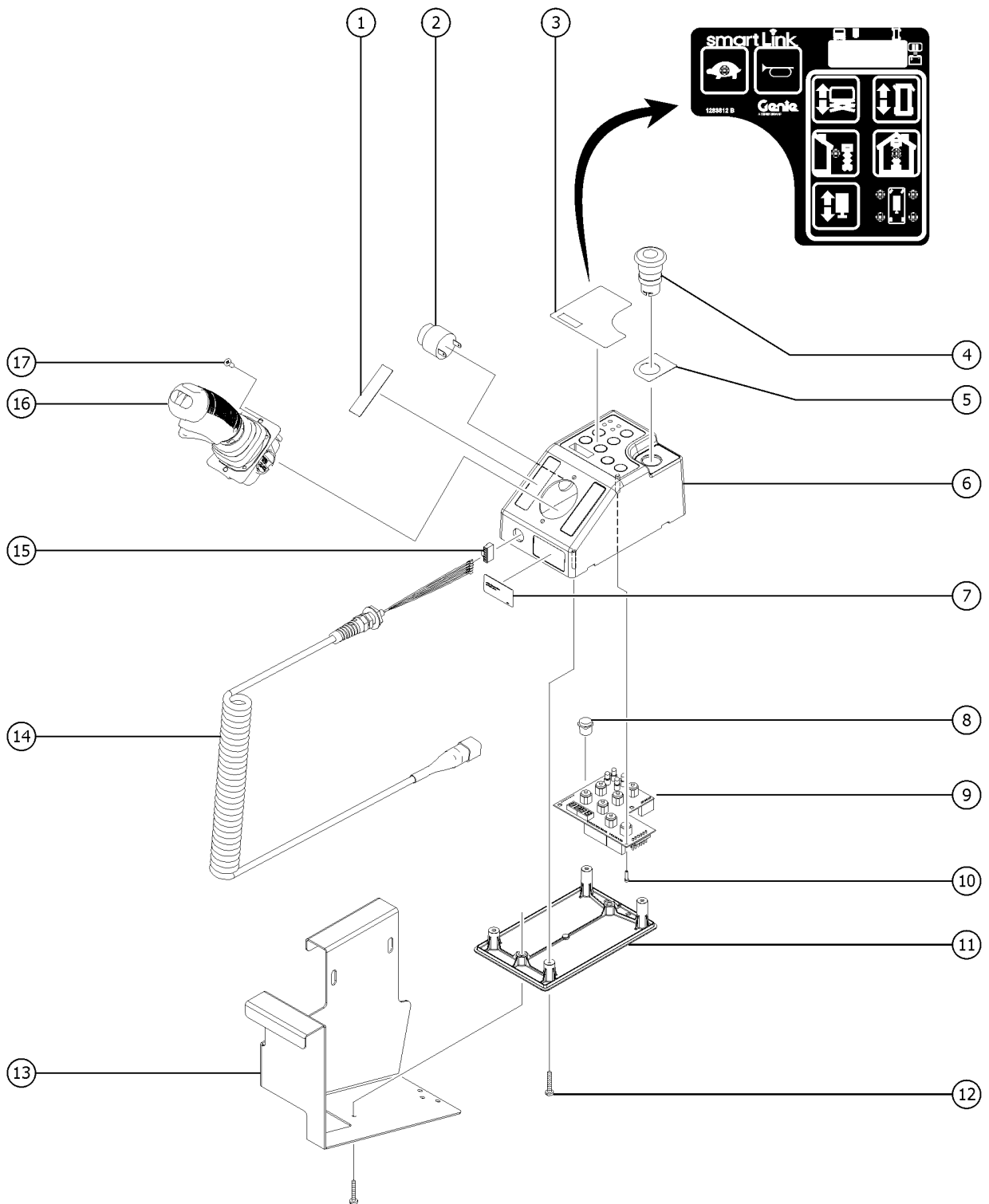


403.1 Platform Controls (GS-2032, GS-2632)

Item	Part No.	Description	Qty.
A	1283792GT	PCON,STD,DUAL ZONE,GS/GR (GS-2032, GS-2632), complete platform control box with coil cord, bracket not included	1
A-	1258731GT	FLASH DRIVE,SL1K2.0 SOFTWARE (For proportional lift or upgrade kits only. Software update available on-line. Flash drive sold separately.)	1
A-	137587GT	HARNESS, ESTOP, GR/GRC/GS PCON	1
B	1280957GT	PCON ASSEMBLY,HARTING CONN OPTION	1
C	1280958GT	CABLE,PLATFORM CONTROL,GS,HARTING CONN OPTION	1
1	137656GT	DECAL, PROPEL, GR/GRC/GS, PCON	1
2	39540GT	ALARM,STEADY TONE*** order 72326 mounting ring separately	1
2-	72326GT	NUT,PLASTIC,RING FOR ALARMS for 39540	1
3		Ref. Decal STD. Dual Zone (refer to 107.1 & 114.1)	1
4	66812GT	BUTTON,PUSH,RED MUSHROOM HEAD	1
4-	66817GT	E-STOP NC CONTACT	1
5	137605GT	DECAL,E-STOP, GR/GRC/GS PCON	1
6	T106368GT	ENCLOSURE,GC14-1,TOP	1
7	1284292GT	LABEL,SERIAL,STD PCON, GS/GR	1
8	T106373GT	CAP,BUTTON,K12	6
9	1283790GT	PCBA,PCON,STD,DUAL ZONE	1
10	137637GT	SCREW,PHM,4-20X.5, 48-2 TRI-L	1
11	T106370GT	ENCLOSURE,GC14-1/GC16-1, BOT	1
12	137640GT	SCREW,PHM,8-16X.75, 48-2 TRI-L	1
13	227167GT	FORMING, PLAT CONTROL BOX,MET (decals not included, refer to section one)	1
14	137611GT	ASSY, COIL CORD, GR/GRC/GS	1
15	137699GT	PLUG, 6POS ECO PWR	1
16		Ref., JOYSTICK (refer to 405.1)	1
17	229845GT	SCREW,BHSCS,M5X10,SS apply Loctite 243 or equivalent before installation	1



404.1 Platform Controls (GS-3232)

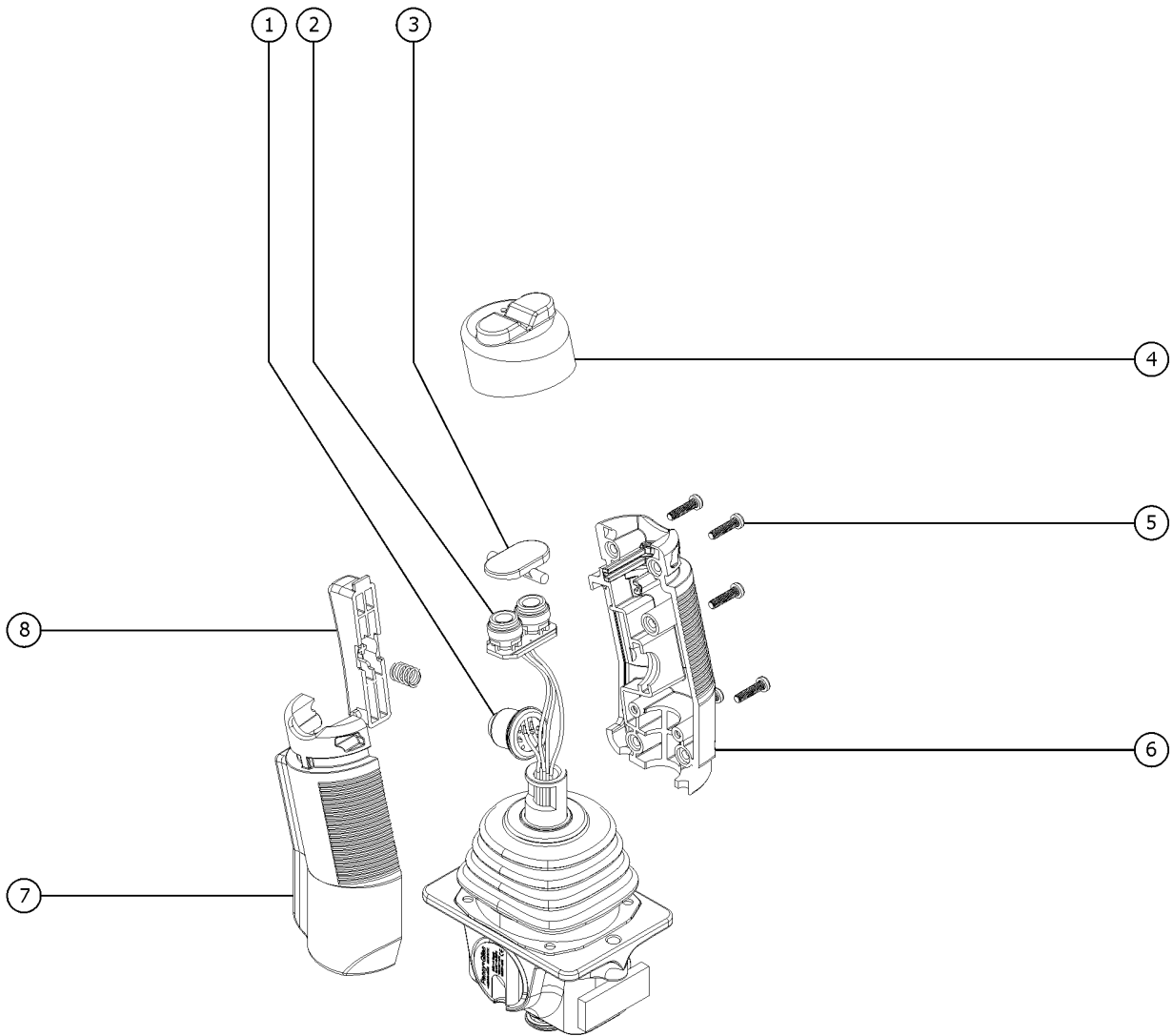


404.1 Platform Controls (GS-3232)

Item	Part No.	Description	Qty.
A	1283798GT	PCON,O/R,DUAL ZONE,GS complete platform control box with coil cord, bracket not included, GS3232	1
A-	1258731GT	FLASH DRIVE,SL1K2.0 SOFTWARE (For proportional lift or upgrade kits only. Software update available on-line. Flash drive sold separately.)	1
A-	137587GT	HARNESS, ESTOP, GR/GRC/GS PCON	1
B	1280957GT	PCON ASSEMBLY,HARTING CONN OPTION	1
C	1280958GT	CABLE,PLATFORM CONTROL,GS,HARTING CONN OPTION	1
1	137656GT	DECAL, PROPEL, GR/GRC/GS, PCON	1
2	39540GT	ALARM,STEADY TONE*** order 72326 mounting ring separately	1
2-	72326GT	NUT,PLASTIC,RING FOR ALARMS for 39540	1
3		Ref. DECAL,STD,DUAL ZONE,GR/GS,UI (refer to 107.1 or 114.1)	1
4	66812GT	BUTTON,PUSH,RED MUSHROOM HEAD	1
4-	66817GT	E-STOP NC CONTACT	1
5	137605GT	DECAL,E-STOP, GR/GRC/GS PCON	1
6	T106367GT	ENCLOSURE,GC16-1,TOP	1
7	1284293GT	LABEL,SERIAL,O/R PCON, GS	1
8	T106373GT	CAP,BUTTON,K12	6
9	1283796GT	PCBA,PCON,O/R,DUAL ZONE	1
10	137637GT	SCREW,PHM,4-20X.5, 48-2 TRI-L	1
11	T106370GT	ENCLOSURE,GC14-1/GC16-1, BOT	1
12	137640GT	SCREW,PHM,8-16X.75, 48-2 TRI-L	1
13	227167GT	FORMING, PLAT CONTROL BOX,MET (decals not included, refer to section one)	1
14	137611GT	ASSY, COIL CORD, GR/GRC/GS	1
15	137699GT	PLUG, 6POS ECO PWR	1
16		Ref., JOYSTICK (refer to 405.1)	1
17	229845GT	SCREW,BHSCS,M5X10,SS apply Loctite 243 or equivalent before installation	1



405.1 Joystick Controller

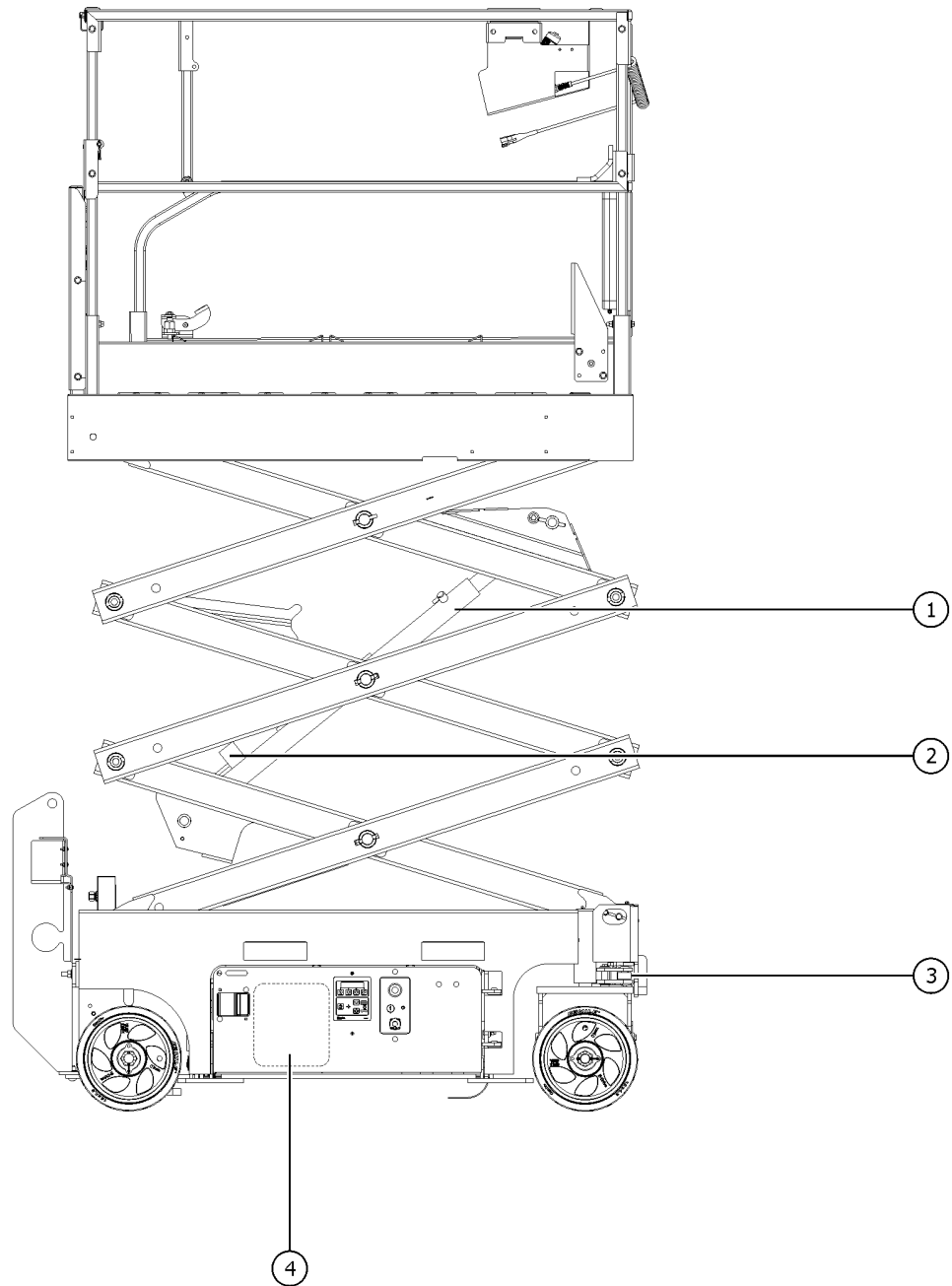


405.1 Joystick Controller

Item	Part No.	Description	Qty.
--	137634GT	JOYSTICK, HALL EFFECT, SINGLE	
--	229097GT	TERMINAL, SPLINE (AMP)	
--	214544GT	KIT,BOOT,JOYSTICK,SL1000	
		joystick boot	
1	235463GT	KIT,SWITCH,JYSTK,SL1000	
		function enable and steer switches	
2	235463GT	KIT,SWITCH,JYSTK,SL1000	
		function enable and steer switches	
3	229092GT	ROCKER,2 SWITCH	1
4	229093GT	BOOT, 2 SWITCH, SILICON	1
5	229086GT	SCREW, SELF TAP	2
6	229087GT	HANDLE HALF,RIGHT,W/TOP SWITCH	1
6B	229091GT	SCREW,GRUB,M5X8MM,HLF DOG,BZP	
		for 229087GT	
7	229088GT	HANDLE HALF,LEFT,W/TOP SWITCH	1
7B	229090GT	SCREW,GRUB,M5X8MM CUP(BLK)	
		for 229088GT	
8	229089GT	TRIGGER, EXTENDED	1
8-	229094GT	SPRING, HANDLE TRIGGER	1



501.1 Hydraulic Components

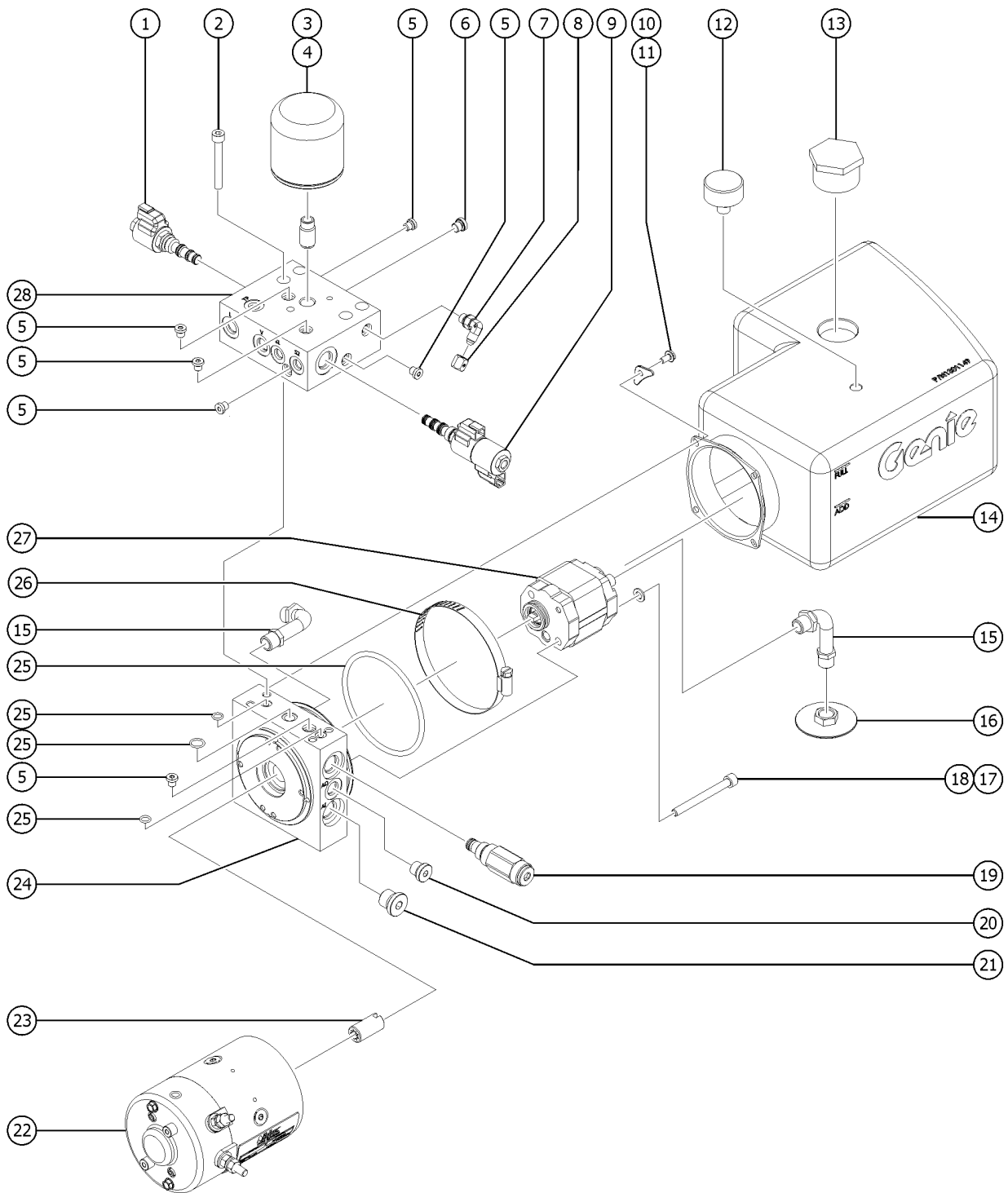


501.1 Hydraulic Components

Item	Part No.	Description	Qty.
1		Ref. Lift Cylinder Assembly (refer to 503.1)	
2		Ref. Pressure Transducer (refer to 701.1)	
3	1308977GT	CYLINDER,GS/GR STEER***	1
3-	1301219GT	SEAL KIT, CYLINDER, GS/GR STEER	
3-	105550GT	KIT,STEER CYL SEAL	
3-	105553GT	KIT,STEER CYL SEAL,040271P,HDM (for code H408147 and up)	
3-	105554GT	KIT,STEER CYL SEAL,040499P,HDM (for code H41109 and up)	
3-	105555GT	KIT,STEER CYL SEAL,040505P,HDM (for codes H41205, H41255, H51290, H501111, H505109, H509101, H60723 and H60870)	
4		Ref. Power Unit (refer to 502.1)	

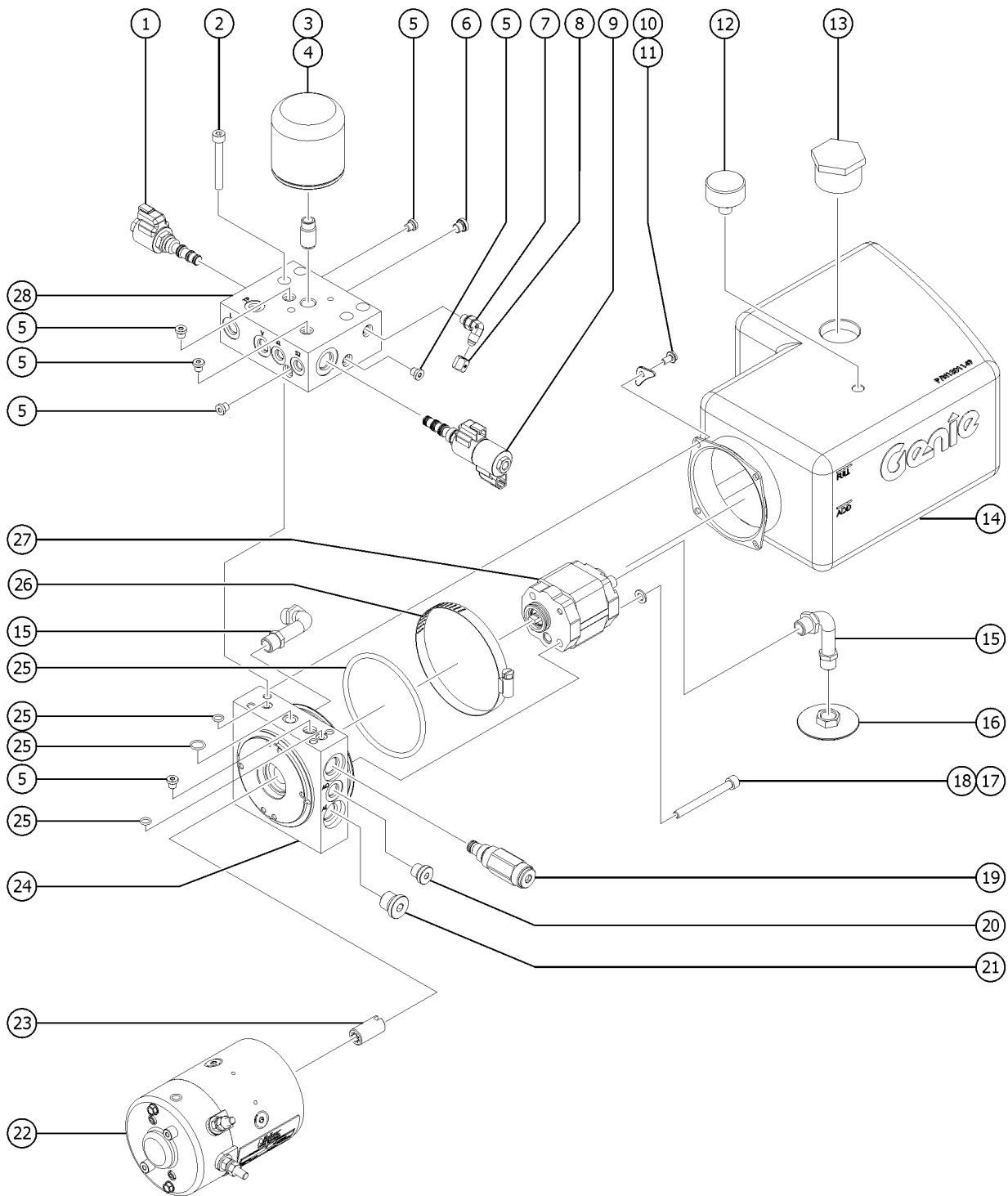


502.1 Power Unit



Item	Part No.	Description	Qty.
1	1307567GT	VALVE-SOLENOID,2POS 4WAY,DASV08-40-0-N-20ER	1
2	1302843GT	SCREW, GB/T70.1, M8X55, ZNCR, 12.9	4
3	1307565GT	FILTER,ELEMENT,SPIN ON	1
4	1300319GT	INSERT, THREADED, INTERNAL HEX	1
5	1302837GT	PLUG, M8X1, Y	6
6	1302836GT	PLUG, M10X1, Y	1
7	1307058GT	ELBOW, POWER UNIT	1
8	1307059GT	CAP, POWER UNIT	1
9	1307566GT	VALVE-SOLENOID,3POS 4WAY,DASV08-47A-0-N-20ER	1
9B	1313992GT	ALVE, DIRECTIONAL 3POS 4WAY, O TYPE, L	1
		(Li Option, GS2032,2632 only)	
10	1302840GT	SCREW, GB/T5789, M6X8, 8.8	4
11	1302841GT	WASHER, TRIANGULAR, PU-**-04-P	4
12		Ref. Breather Cap	1
		(refer to 207.1)	
13		Ref. Plug	1
		(refer to 207.1)	
14	1301149GT	TANK, HYD. POLYETHYLENE, MID/LARGE SLAB, E-DRIVE	1
15	1302844GT	SUCTION TUBE, NPT3/8	2
16	1302845GT	SUCTION FILTER, PU-LW1	1
17	1302838GT	SCREW, GB/T70.1, M8X80, 12.9	2
18	1302839GT	WASHER, GB/T848, 8, BZN, 300HV	2
19	1307568GT	RELIEF VALVE,RVB0-S08-0B	1
19B	1313991GT	VALVE, ELECTRIC PROPORTIONAL, RELIEF 4000PSI	1
		(Li Option, GS2032,2632 only)	
20	1302834GT	PLUG, SAE9, 16-18, Y	1
		(GS2032,2632 only)	
21	1302835GT	PLUG, SAE3/4-16, 200Z60680	1
		(GS2032,2632 only)	
21B	1303257GT	THE VALVE CORE, E-DRIVE MANIFOLD	1
		(GS3232 only)	
22	1308511GT	PUMP MOTOR,POWER UNIT,24V,AMJ	1
23	1302207GT	COUPLING, POWER UNIT, E-DRIVE	1
24	1301547GT	MANIFOLD BLOCK, CENTER BLOCK, POWER UNIT, E-DRIVE	1
25	1302833GT	SEAL KITS, O-RING, 109X5.3, 12.5X1.8, 8.5X1.8	1

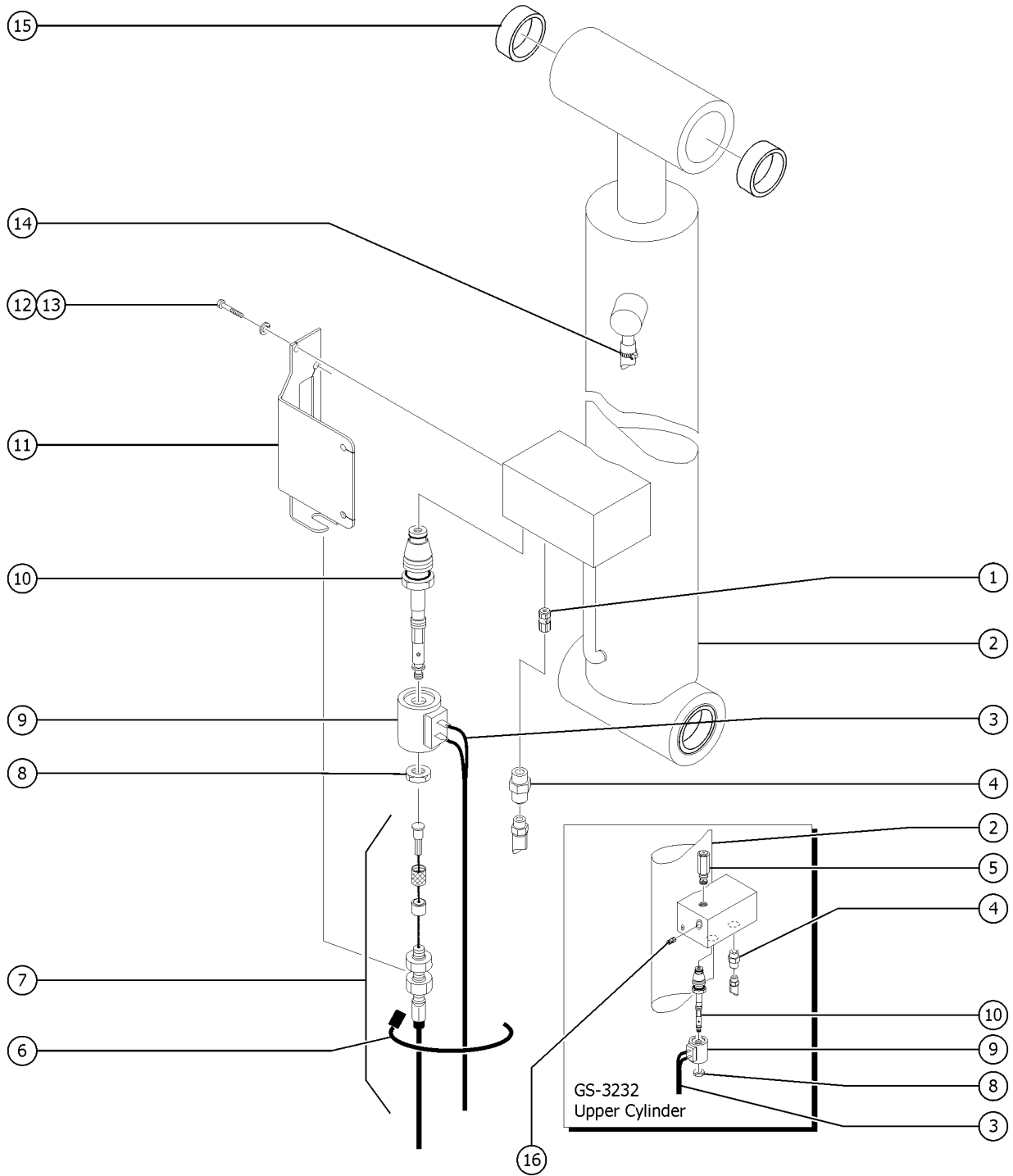
502.1 Power Unit



<i>Item</i>	<i>Part No.</i>	<i>Description</i>	<i>Qty.</i>
26	1302842GT	HOSECLAMP, 118-140MM	1
27	1301545GT	GEAR PUMP, 2.9CC, MID/LARGE SLAB, E-DRIVE	1
28	1301548GT	MANIFOLD BLOCK, DEPUTY BLOCK, POWER UNIT, E-DRIVE	1



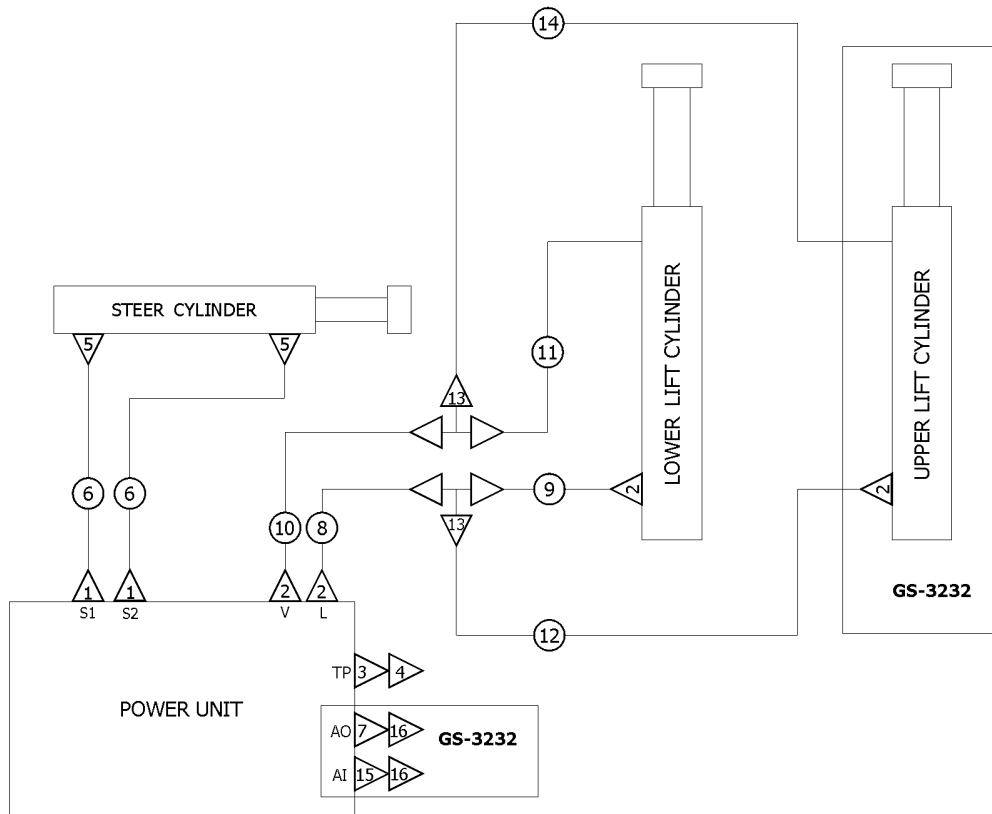
503.1 Lift Cylinder Assembly, All Models



Item	Part No.	Description	Qty.
1	55560GT	ORIFICE, LONG, .059"	
1-	105479GT	KIT, TWO ORIFICE, .059"	
1-	105481GT	KIT, ORIFICE, .059"	
2	105544GT	CYLINDER, 20XX LIFT	1
		(GS-2032)	
2-	105549GT	SEAL KIT (105545)	
		(for PN 105544GT)	
2B	105545GT	CYLINDER, 26XX/32XX LIFT	1
		(GS-2632)	
2B-	105549GT	SEAL KIT (105545)	
		(for PN 105545GT)	
2C	105546GT	CYLINDER, 32XX UPPER LIFT	1
		(GS-3232), (upper cylinder)	
2C-	105564GT	SEAL KIT (105546)	
		(for PN 105546GT)	
2D	105545GT	CYLINDER, 26XX/32XX LIFT	1
2D-	105549GT	SEAL KIT (105545)	
		(for PN 105545GT)	
3		Ref. Down Coil Wire Harness	1
		(refer to 209.1, 210.1)	
4	39878GT	CONNECTOR, 070120-6-6	1
5	237455GT	VALVE, RELIEF, 2900 PSI, BOSCH	
6	28443GT	CABLE TIE, 11.5" BLACK	3
7		Ref. Emergency Down Cable	
		(refer to 203.1)	
8	44973GT	NUT, COIL (39909)	1
9	84422GT	COIL-SOLENOID VALVE, 20V DC***	1
		(direct replacement for 66467GT)	
10	66465GT	VALVE, NC SOLENOID, MANUAL	1
		(includes items 7 and 8)	
10-	40477GT	VALVE, CARTRIDGE***	
10-	44979GT	SEAL KIT, 39909, PLAT LWR VALVE*	
11	41557-SGT	CABLE BRACKET, PAINTED	1
12	7339GT	SCREW, HHC, 1/4-20 X .5	
13	6356GT	WASHER, LOCK, .25	
14	96770GT	CLAMP, HOSE, 1 EAR, 11/16	1
15	105478GT	BEARING, 1.5025IDX1.5075ODX1.5L	4
16	55558GT	ORIFICE, LONG, .037***	1
		GS-3232	



504.1 Hydraulic Hoses and Fittings



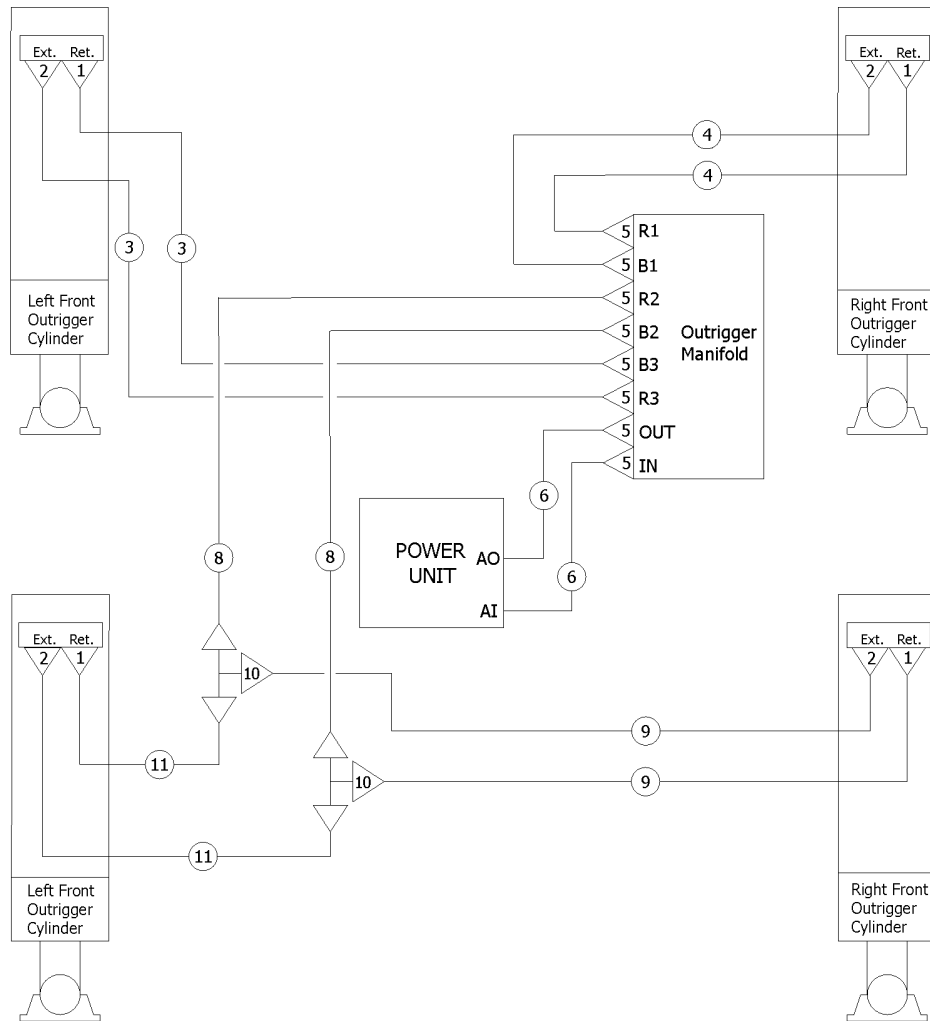
LEGEND	
	ADAPTER
	HOSE ASSEMBLY
	UNION

504.1 Hydraulic Hoses and Fittings

<i>Item</i>	<i>Part No.</i>	<i>Description</i>	<i>Qty.</i>
1	39877GT	CONNECTOR,070120-4-4	2
2	39878GT	CONNECTOR,070120-6-6	4
3	48997GT	CONN,520120-8-12	1
4	48880GT	CAP,DIAGNOSTIC NIPPLE	1
5	13921GT	ELBOW,070220-4-4	2
6	1288365-5750GT	HOSE ASSY, STEER, RYCO	2
7	237086GT	HOSE,UPPER VENT	1
8	1288926-3988GT	HOSE ASSY, POWER UNIT, LIFT, RYCO	1
9	1259059GT	HOSE,LOWER VENT RYCO	1
10	1298646-4125GT	HOSE ASSY, POWER UNIT, VENT, RYCO	1
11	1259085GT	HOSE,LOWER VENT RYCO	1
12	1259186GT	HOSE ASSY,UPPER LIFT,RYCO	1
13	51152GT	TEE,RUN 070432-6*****	2
14	1259185GT	HOSE, UP VENT, RYCO	1
15	1304157GT	CONN,070122-6-6	1
16	1304158GT	ELBOW,SWIVEL 90D, 070221-L-6-6	2



505.1 Hydraulic Hoses and Fittings, Outriggers, GS-3232



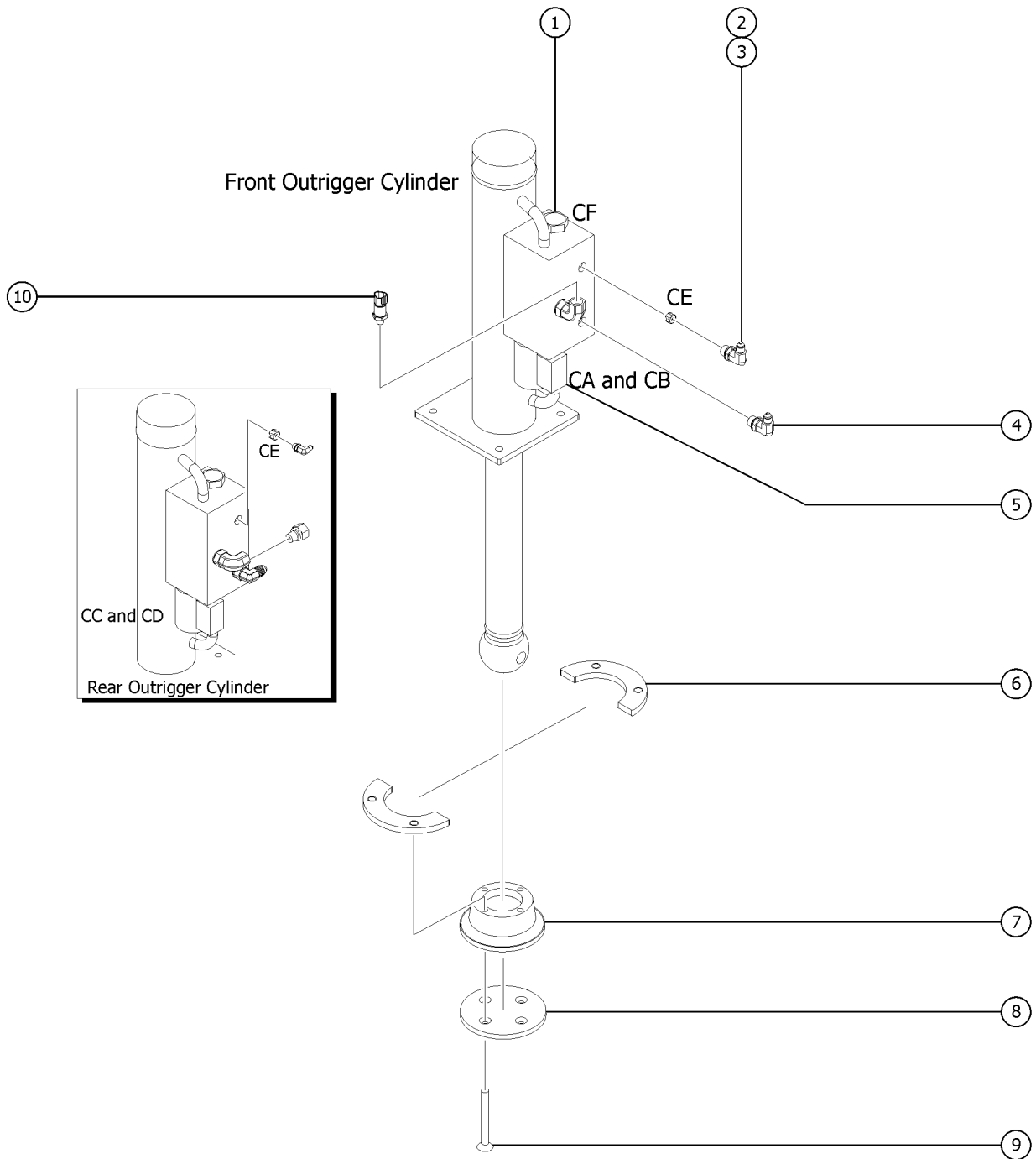
LEGEND	
	ADAPTER
	HOSE ASSEMBLY
	UNION

505.1 Hydraulic Hoses and Fittings, Outriggers, GS-3232

<i>Item</i>	<i>Part No.</i>	<i>Description</i>	<i>Qty.</i>
1	13921GT	ELBOW,070220-4-4	4
2	39875GT	ELBOW,070220-4-6	4
3	105645GT	HOSE ASSY,LT FRONTO/R,GS3232	2
4	105648GT	HOSE ASSY,RT FRONT O/R,GS3232	2
5	39877GT	CONNECTOR,070120-4-4	6
6	1288926-5738GT	HOSE ASSY, POWER UNIT TO OUTRIGGERS	2
7	39878GT	CONNECTOR,070120-6-6	2
8	105649GT	HOSE ASSY,O/R MAN-T, GS3232	2
9	105647GT	HOSE ASSY,RT REAR O/R, GS3232	2
10	1304513GT	TEE, UNION, 070959-4, WLN	2
11	105646GT	HOSE ASSY,LT REAR O/R, GS3232	2



506.1 Outrigger Cylinders, Front and Rear, GS-3232

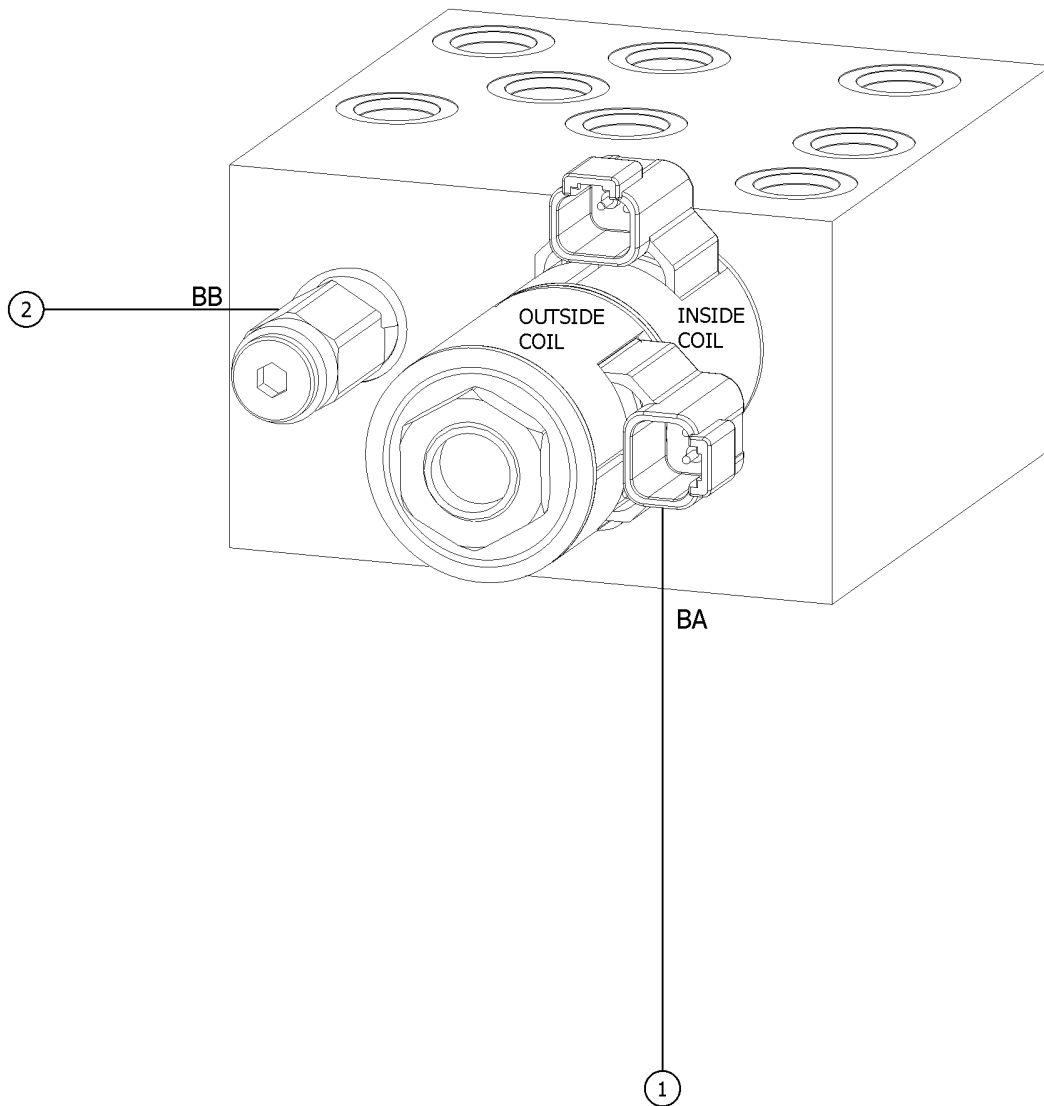


506.1 Outrigger Cylinders, Front and Rear, GS-3232

Item	Part No.	Description	Qty.
-	109877GT	CYLINDER,REAR OUTRIGGER order valves, orifice and fittings separately	
-	109878GT	CYLINDER,FRONT OUTRIGGER order valves, orifice and fittings separately	
-	144655GT	SEAL KIT,O/R CYLINDER*** for 109877GT and 109878GT	
1	105628GT	VALVE,CHECK,PILOT OPERATED (3500 psi, 240 bar)	1
1-	105695GT	SEAL KIT	
2	39875GT	ELBOW,070220-4-6	1
3	67744GT	ORIFICE,SHORT, 0.037 INCH (0.037 inch; 0.94 mm)	1
4	13921GT	ELBOW,070220-4-4	1
5	105629GT	VALVE,SOLENOID 2 POS, 2 WAY	1
5-	44228GT	SEAL KIT, VALVE	
6	109750GT	PLATE,FOOTPAD RING	2
7	109756GT	FOOTPAD,OUTRIGGER,3232	1
8	105575GT	FOOTPAD,NON MARKING	1
9	1260987GT	SCREW,FHS,1/4-20X2.25XF835,ZAG	16
10	1291577GT	PRESSURE TRANSDUCER,0-5K PSI	1



507.1 Outrigger Function Manifold, GS-3232

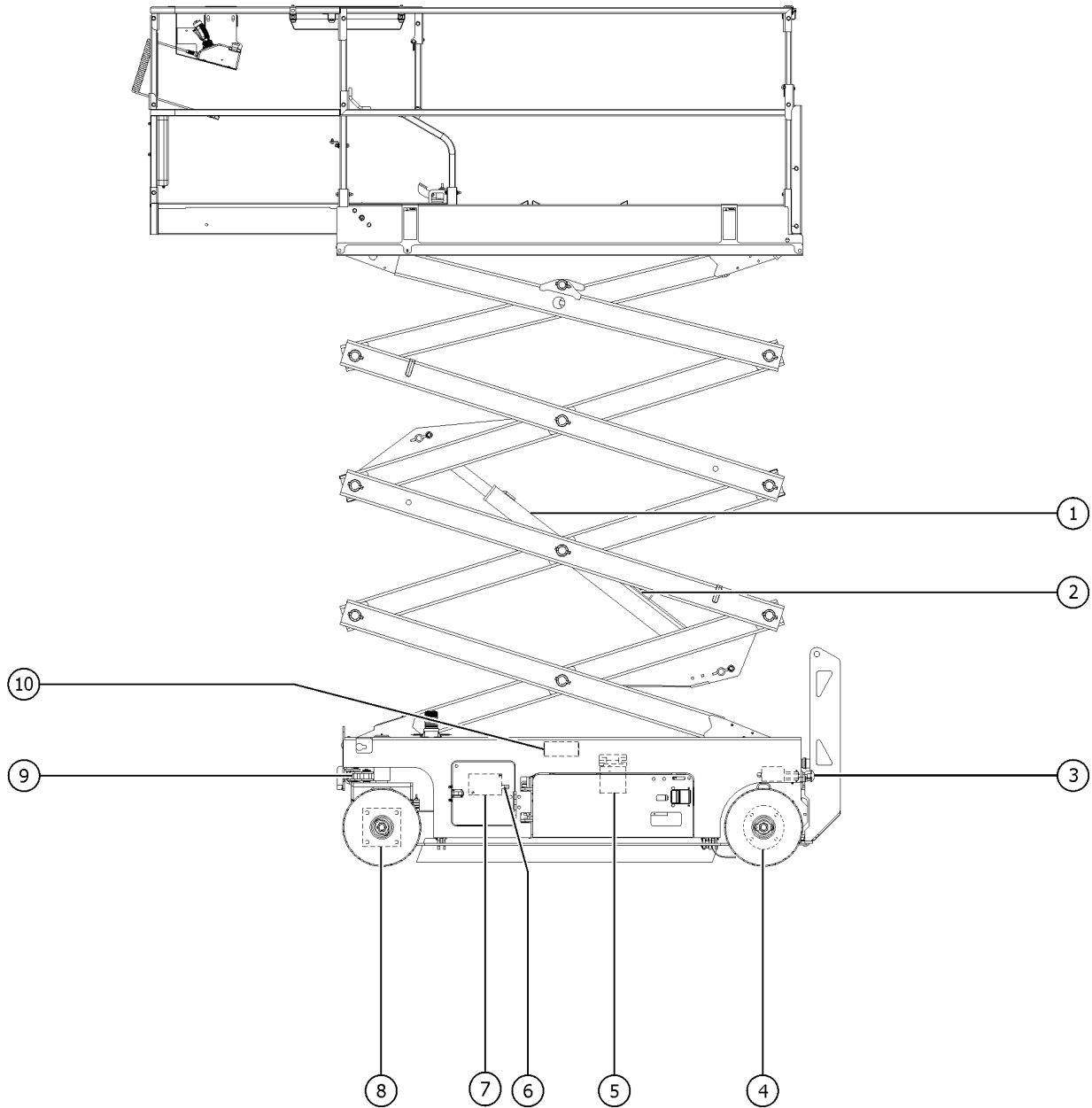


507.1 Outrigger Function Manifold, GS-3232

Item	Part No.	Description	Qty.
-	109757GT	MANIFOLD,OUTRIGGER OPTION	
-	49612GT	O-RING KIT (ORFS FITTINGS)	
-	49613GT	PLUG AND CAP KIT-SERVICE,ORFS*	
1	52376GT	VALVE,RELIEF,3500PSI*** (BB, Outrigger circuit)	
1-	44227GT	SEAL KIT, VALVE	
2	52380GT	VALVE,SOLENOID,3POS4WAY,GS68 (BA, Outrigger extend/retract)	
2-	44174GT	NUT-COIL SHORT	
2-	44175GT	SPACER-DUAL COIL,#10, SCISSORS	
2-	44230GT	SEAL KIT-P.N.44169,44172,44171	
2-	84385GT	COIL,20VDC DEUTCSH W/DIODE	



508.1 Hydraulic Components (H-drive)

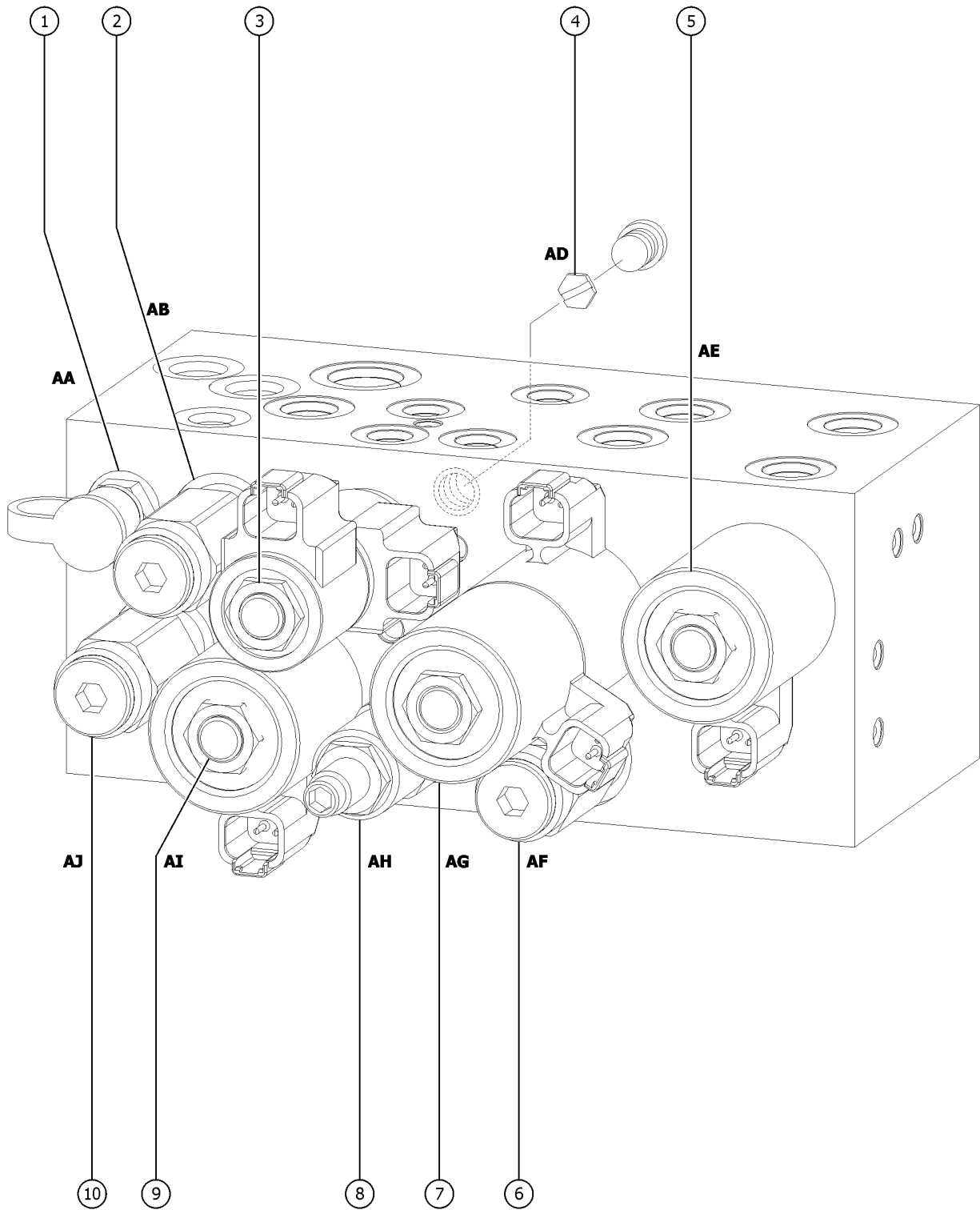


508.1 Hydraulic Components (H-drive)

Item	Part No.	Description	Qty.
1		Ref. Lift Cylinder Assembly (refer to 503.1)	
2		Ref. Pressure Transducer (refer to 701.1)	
3		Ref. Brake Release Hand Pump Manifold (refer to 510.1)	
4	96257GT	BRAKE, HYDRAULIC***	2
5	78622GT	FILTER ASSY, SAE8, 10 MIC, PAPER** (paper, standard)	1
5-	44788GT	FILTER ELEMENT-10MICRON, PAPER* (paper, standard)	
6		Ref. Check Valve (refer to 509.1)	
7		Ref. Function Manifold (refer to 509.1)	
8	T108663GT	DRIVE MOTOR, 22.9CI/REV	
8-	96419GT	SEAL KIT, RC SERIES DR MOTOR*** for T108663	
9	105547GT	CYLINDER, GS/GR STEER***	1
9-	105550GT	KIT, STEER CYL SEAL	
9-	105553GT	KIT, STEER CYL SEAL, 040271P, HDM (for code H408147 and up)	
9-	105554GT	KIT, STEER CYL SEAL, 040499P, HDM (for code H41109 and up)	
9-	105555GT	KIT, STEER CYL SEAL, 040505P, HDM (for codes H41205, H41255, H51290, H501111, H505109, H509101, H60723 and H60870)	
10	78422GT	ACCUMULATOR, 180 PSI PRECHARGE*	1



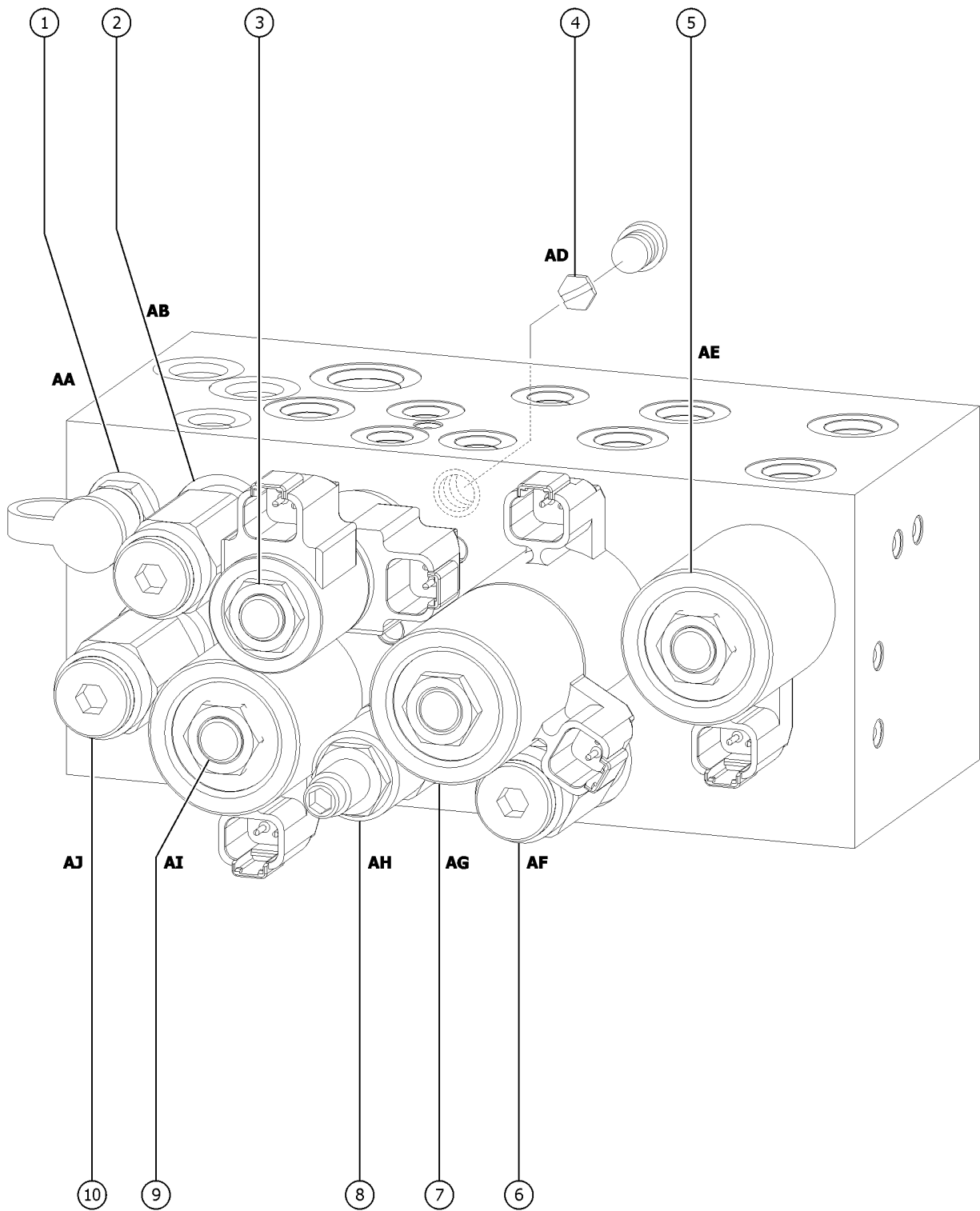
509.1 Function Manifold (H-drive)



Item	Part No.	Description	Qty.
-	1311985GT	FUNCTION, MANIFOLD, 2 SPEED (does not include check valve, item 4)	
-	1318721GT	PRESSURE TRANSDUCER TK,0-5K PSI (does not include check valve, item 4)	
-	49613GT	PLUG AND CAP KIT-SERVICE,ORFS*	
-	49612GT	O-RING KIT (ORFS FITTINGS)	
-	105463GT	126,DYN.BRAKING,MANIF,32/46	
1	48997GT	CONN,520120-8-12 (AA, Testing)	
1-	20224GT	DIAGNOSTIC FEMALE Q-DSCNT	
1-	48880GT	CAP,DIAGNOSTIC NIPPLE	
2	1299590GT	VALVE, FUNCTION MANIFOLD RELIEF, 3700PSI (AB, System relief)	
2-	44226GT	SEAL KIT-FOR P.N.44167	
2B	1299590GT	VALVE, FUNCTION MANIFOLD RELIEF, 3700PSI	
3	44168GT	VALVE,SOLENOID,3POS 4WAY (AC, Steer left/right)	
3-	44229GT	SEAL KIT, VALVE	
3-	44236GT	SPACER-DUAL COIL,#8*** (sold separately)	
3-	77709GT	COIL,#8 20VDC,DEUTSCH W/DIODE (sold separately)	
3-	44174GT	NUT-COIL SHORT (sold separately)	
4	84386GT	CHECK DISK, NO SPRING (AD, Steer circuit)	
5	44171GT	VALVE-SOLENOID,2POS 4WAY** (AE, Drive speed select circuit)	
5-	44175GT	SPACER-DUAL COIL,#10, SCISSORS (sold separately)	
5-	44230GT	SEAL KIT-P.N.44169,44172,44171	
5-	84385GT	COIL,20VDC DEUTCSH W/DIODE (sold separately)	
6	97409GT	VALVE,DIFF.AREA RELIEF,50PSI (AF, Brake release)	
7	150104GT	VALVE, DYN. BRAKING, GS32/46	
7-	44175GT	SPACER-DUAL COIL,#10, SCISSORS (sold separately)	
7-	84385GT	COIL,20VDC DEUTCSH W/DIODE (sold separately)	
8	84384GT	PRTY, FLOW CNTRL VALVE,.75 GPM (AH, Steer circuit)	
8-	1261888GT	SEAL KIT (84384) for 84384GT	
8-	44230GT	SEAL KIT-P.N.44169,44172,44171	



509.1 Function Manifold (H-drive)

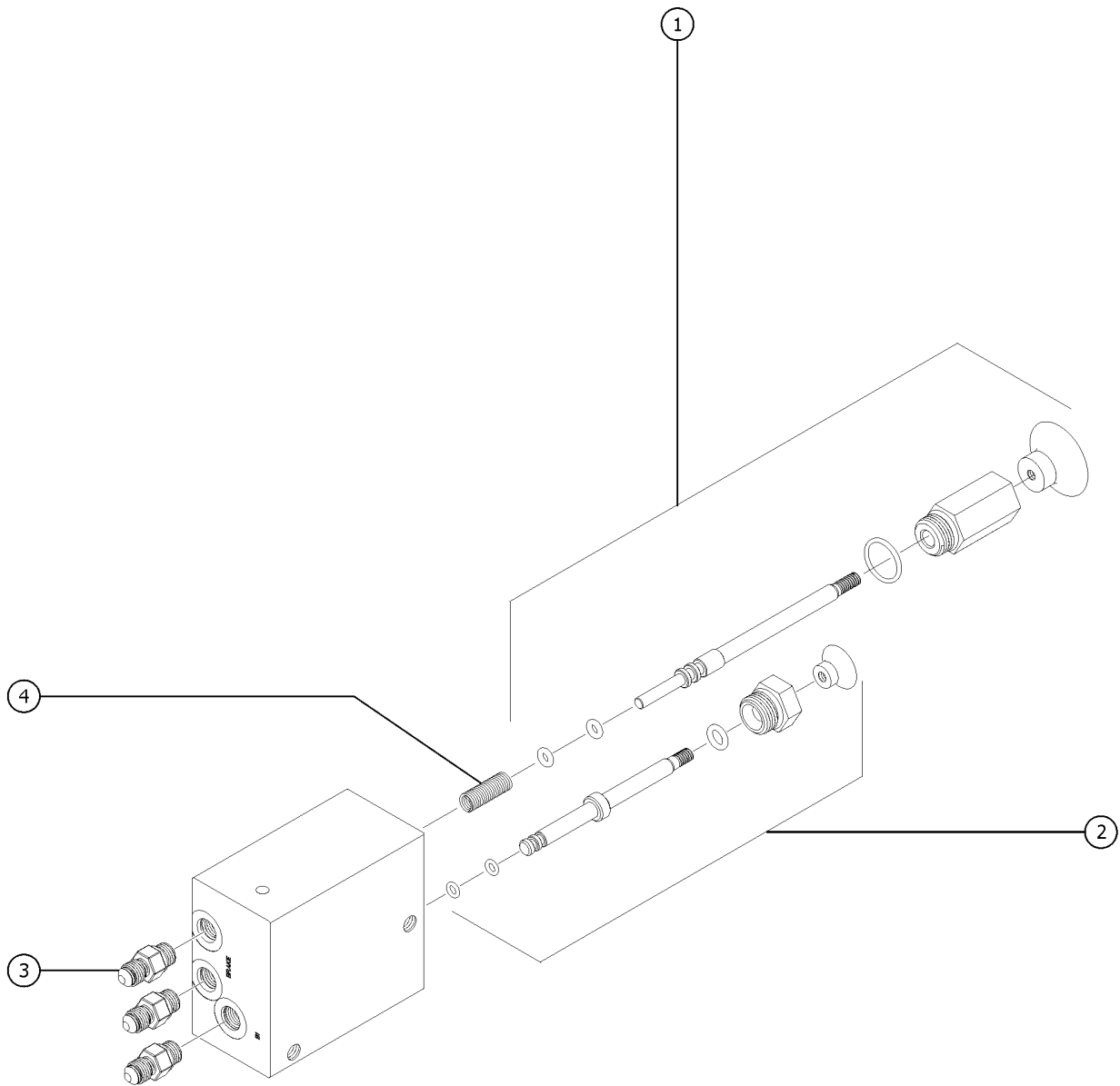


509.1 Function Manifold (H-drive)

<i>Item</i>	<i>Part No.</i>	<i>Description</i>	<i>Qty.</i>
9	44169GT	VALVE-SOLENOID, 2POS 4 WAY (AI, Platform up)	
9-	84385GT	COIL,20VDC DEUTC SH W/DIODE (sold separately)	
9-	44175GT	SPACER-DUAL COIL,#10, SCISSORS (sold separately)	
9-	44230GT	SEAL KIT-P.N.44169,44172,44171	
10	1299590GT	VALVE, FUNCTION MANIFOLD RELIEF, 3700PSI (AJ, Lift relief)	
10-	44226GT	SEAL KIT-FOR P.N.44167	
10B	1299590GT	VALVE, FUNCTION MANIFOLD RELIEF, 3700PSI	



510.1 Brake Release Hand Pump Manifold (H-drive)

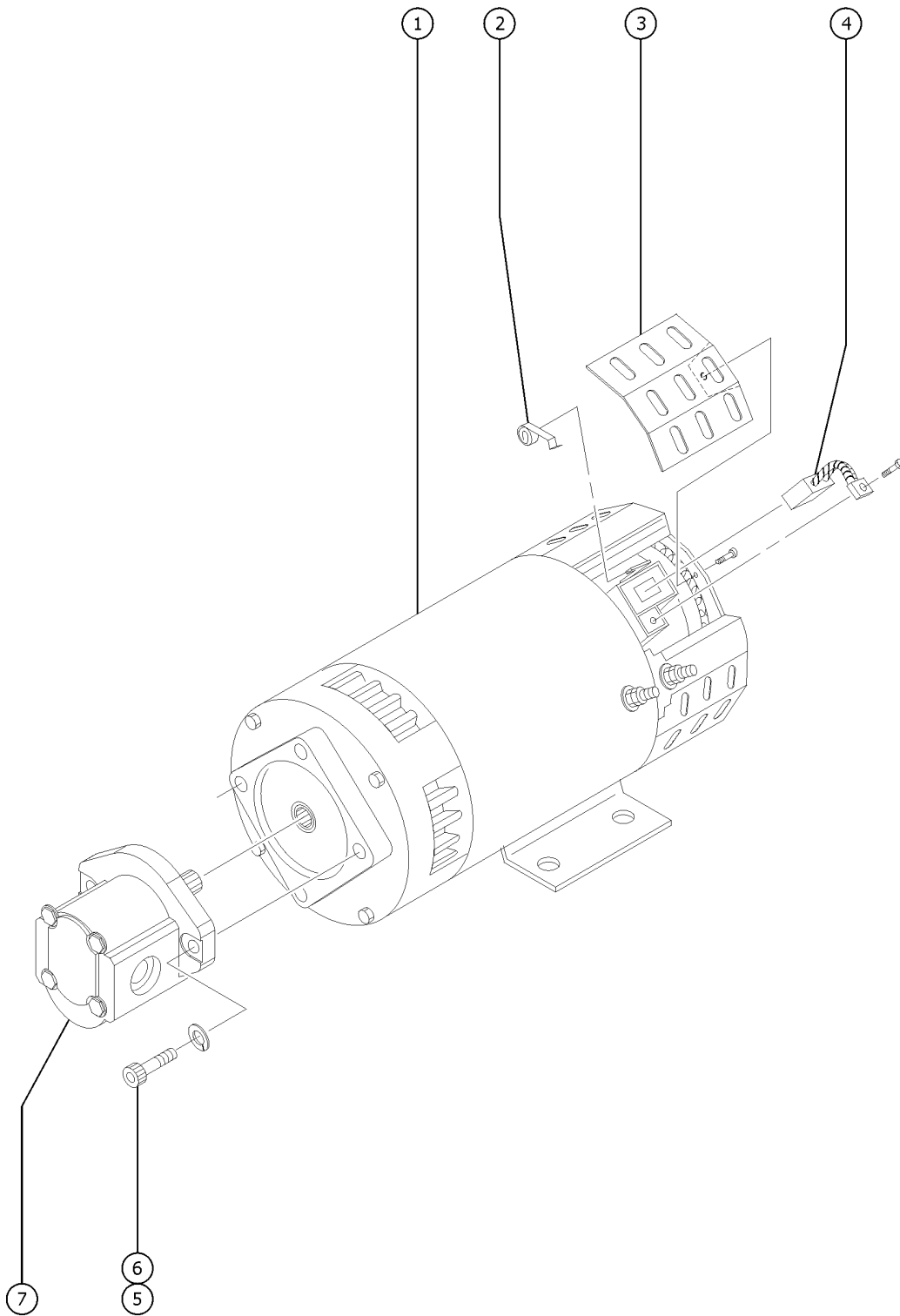


510.1 Brake Release Hand Pump Manifold (H-drive)

<i>Item</i>	<i>Part No.</i>	<i>Description</i>	<i>Qty.</i>
-	105067GT	MANIFOLD,BRAKE RELEASE (includes items 1, 2 and 4)	
1	84739GT	VALVE,HAND PUMP ASSEMBLY***	1
1-	84740GT	SEAL KIT,HAND PUMP***	
1-	84742GT	KNOB,HAND PUMP (RED)***	
2	84743GT	VALVE,PILOT OPERATED ASSEMBLY*	1
2-	84740GT	SEAL KIT,HAND PUMP***	
2-	84746GT	KNOB,PILOT OP VALVE (BLACK)***	
3	39877GT	CONNECTOR,070120-4-4	3
4	84748GT	SPRING,HAND PUMP ROD	1



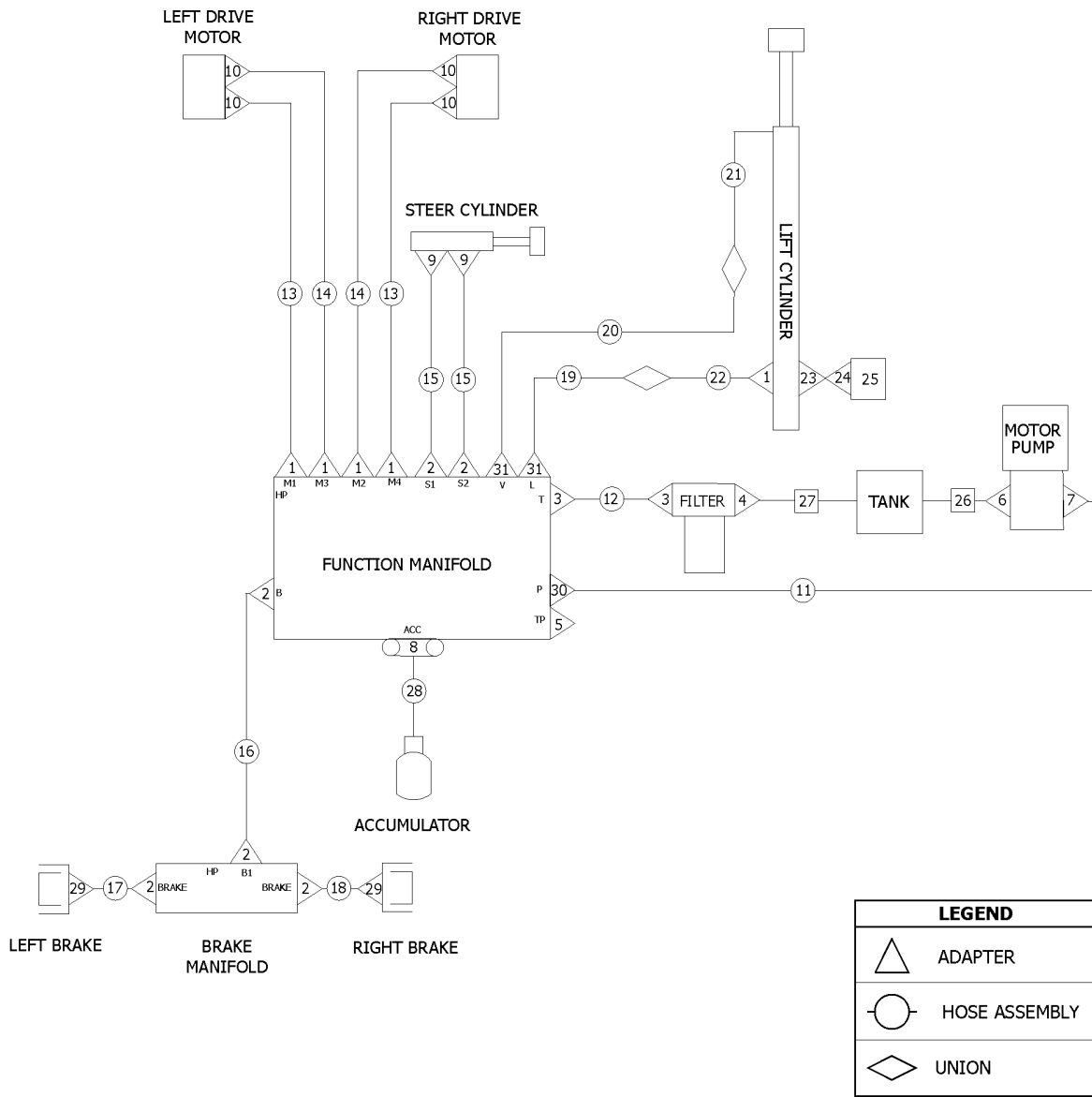
511.1 Hydraulic Power Unit (H-drive)



Item	Part No.	Description	Qty.
-	49812GT	ENCLOSING BAND KIT Band Kit (EE models)	
-	78006GT	FORMING,PADLOCK BRACKET	
-	44716GT	HANDLE,ANDERSON CONNECTOR SB	
1	40844GT	MOTOR,ELECTRIC,24VDC 4.5HP US part number	1
1-	43685GT	SEAL KIT,LIFT PUMP,BARNES**	
1-	44777GT	BEARING,MOTOR	
1-	44778GT	BEARING,MOTOR,36843,BRUSH END*	
1B	1256517GT	MOTOR,DC24V,3.3KW,JIANGSU XINYU China part number	1
1B-	1309762GT	SPRING-BRUSH,1256517,SCISSORS	
1B-	1309763GT	COVER-BRUSH INSPEC,1256517,SCISSORS	
1B-	1309764GT	BRUSH PWR,UNIT(1256517)	
2	44750GT	SPRING-BRUSH,40844, SCISSORS	4
3	44752GT	COVER-BRUSH INSPEC.40844,SCISS	4
4	44751GT	BRUSH,PWR UNIT (40844)**	4
5	55921GT	SCREW,SHC,3/8-24 X 1.25"	
6	6021GT	WASHER,LOCK,.375	
7	T108662GT	PUMP,5.6CC GEAR,CCW	1
7-	236837GT	SEAL KIT,PUMP,5.6CC GEAR	



512.1 Hydraulic Hoses and Fittings (H-drive)

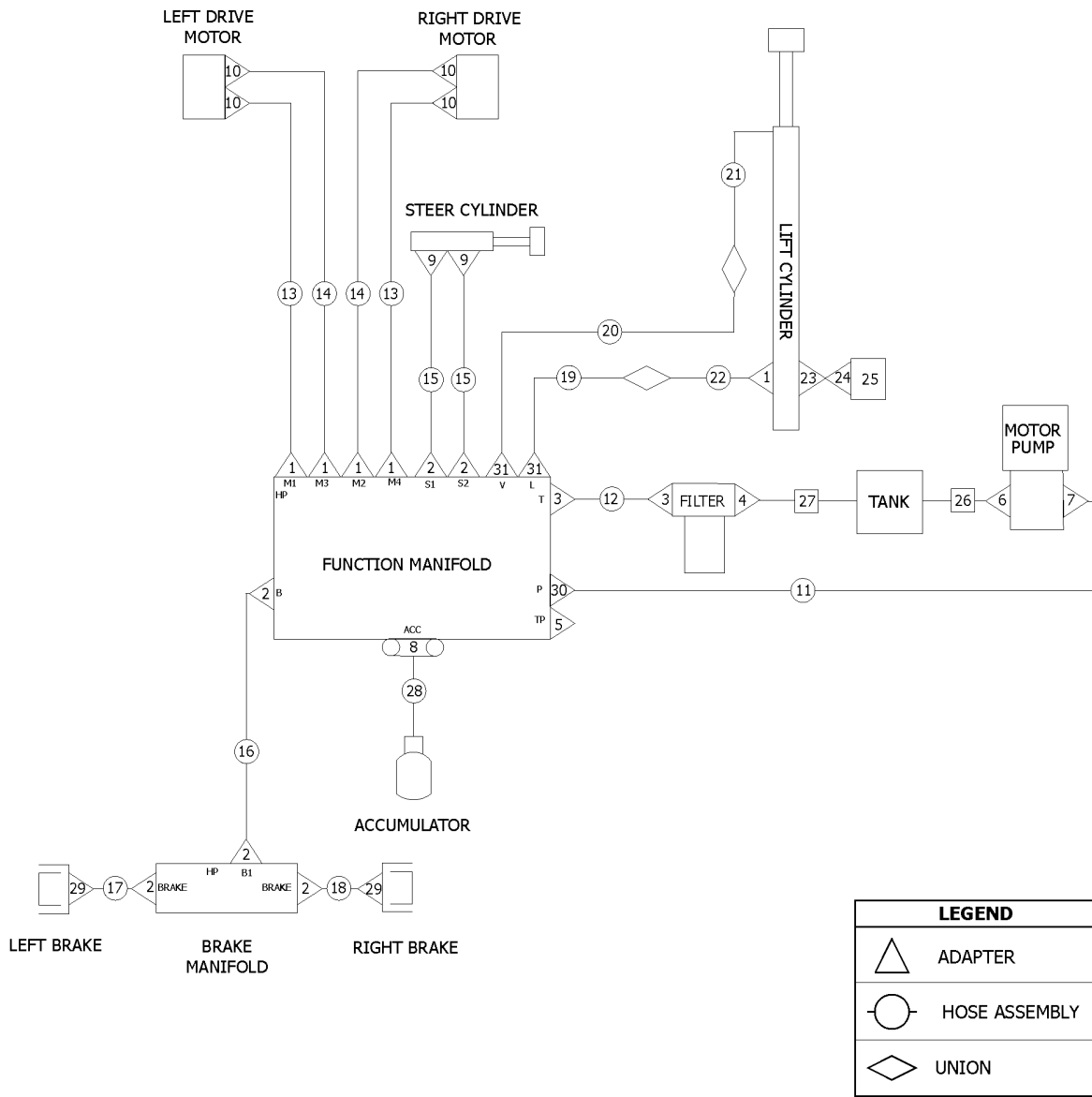


512.1 Hydraulic Hoses and Fittings (H-drive)

Item	Part No.	Description	Qty.
-		The hose lengths below reflect the length of the hose only. Refer to the 'Fittings Cross Reference' to match Genie part numbers to Parker part numbers.	
-	66765-3000GT	WIRE LOOM, SPIRAL, 1-5/8 ID 30" used as hose protection on 3/8 hoses, sold by the inch	
1	39878GT	CONNECTOR, 070120-6-6 GS-2032, GS-2632	3
2	39877GT	CONNECTOR, 070120-4-4	6
2-	39882GT	PLUG, HEX SOCKET, 090109B-4	1
3	66389GT	CONN, 070120-8-6	2
4	96398GT	CONNECTOR, 070120-12-8	1
5		Ref. Diagnostic Nipple (refer to 509.1)	
6	22664GT	ELBOW, 070220-12-10	1
7	39876GT	ELBOW, 070220-6-8	1
8	39877GT	CONNECTOR, 070120-4-4	1
9	13921GT	ELBOW, 070220-4-4 GS-2032, GS-2632	2
10	39873GT	ELBOW, 07022-6-6	4
11	1259183GT	HOSE, ASSY, PRESS, RYCO (Components: 1259073, 1259073, and 1259076 @ 50 inches)	1
11B	96744GT	HOSE, ASSY, PRESSURE (Components: 39890, 39890, and 56776 @ 50 inches)	1
12	1259184GT	HOSE, ASSY, MAN TO FILTER, RYCO (Components: 96406, 96406, and 1259077 @ 25 inches)	1
12B	96348GT	HOSE, ASSY, MAN TO FILTER (Components: 96406, 96406, and 75631 @ 25 inches)	1
13	105802GT	HOSE ASSY, DRIVE MOTORS, GS32 (Components: 39890, 39890, and 56776 @ 50 inches)	2
14	105579GT	HOSE ASSY, DRIVE MOTORS, GS32 (Components: 39890, 39890, and 56776 @ 54 inches)	2
15	1259062GT	HOSE, ASSY STEER, GS32/46 RYCO (Components: 1259079, 1259079, and 1259078 @ 36 inches)	2
15B	105578GT	HOSE, ASSY STEER, GS32/46 (Components: 78855, 78855, and 78852 @ 36 inches)	2
16	1294831GT	HOSE, ASSY, BRAKE MAN, GS32, RYCO (Components: 1259079, 1259079, and 1259078 @ 62 inches)	1
16B	105804GT	HOSE, ASSY, BRAKE MAN, GS32 (Components: 78855, 78855, and 78852 @ 62 inches)	1
17	1262934GT	HOSE 1259078X475, RYCO (Components: 1259079, 1259079, and 1259078 @ 17 inches)	2
17B	96391GT	HOSE 78852X475 (Components: 78855, 78855, and 78852 @ 17 inches)	2
18	1294831GT	HOSE, ASSY, BRAKE MAN, GS32, RYCO (Components: 1259079, 1259079, and 1259078 @ 62 inches)	1
18B	105804GT	HOSE, ASSY, BRAKE MAN, GS32 (Components: 78855, 78855, and 78852 @ 62 inches)	1
19	1259083GT	HOSE, ASSY, LIFT RYCO (Components: 1259073, 1259073, and 1259076 @ 42 inches)	1



512.1 Hydraulic Hoses and Fittings (H-drive)

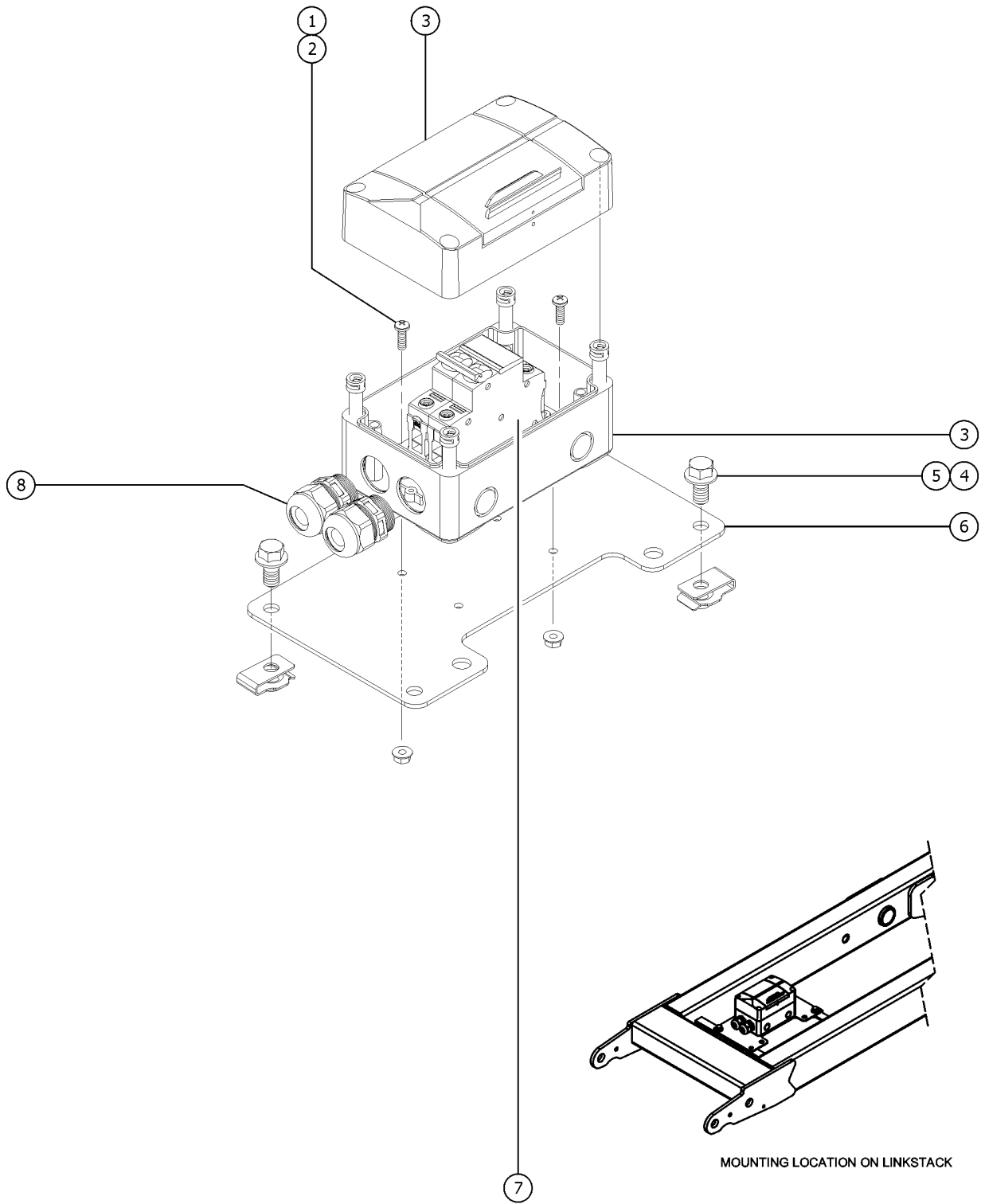


512.1 Hydraulic Hoses and Fittings (H-drive)

Item	Part No.	Description	Qty.
19B	96750GT	HOSE, ASSY, LIFT (Components: 39890, 39890, and 56776 @ 42 inches)	1
20	1259084GT	HOSE,ASSY,VENT RYCO (Components: 96406, 96407, and 1259077 @ 42 inches)	1
20B	96881GT	HOSE,LOWER VENT (Components: 96406, 96407, and 75631 @ 42 inches)	1
21	1259085GT	HOSE,LOWER VENT RYCO GS-2032, GS-2632 (Components: 96406 and 1259077 @ 170.5 inches)	1
21B	96882GT	HOSE,LOWER VENT GS-2032, GS-2632 (Components: 75631 @ 161 inches)	1
22	1259059GT	HOSE,LOWER VENT RYCO (Components: 1259075, 1259073, and 1259076 @ 127 inches)	1
22B	105046GT	HOSE ASSY,LOWER LIFT (Components: 39890, 47223, and 56776 @ 127 inches)	1
23	96885GT	CONN,SWIVEL,STR,THR,465OX-S	1
24	39881GT	CONNECTOR,070120-4-6	1
25		Ref. Pressure Switch (refer to 701.1)	
26	96354GT	TUBE, ASSY, DRAW	1
27	96355GT	TUBE, ASSY, RETURN	1
28	1262934GT	HOSE 1259078X475,RYCO (Components: 1259079, 1259079, and 1259078 @ 17 inches)	1
28B	105246GT	HOSE ASSY, MAN/ACCUM, GS32/46 (Components: 78855, 78855, and 78852 @ 17 inches)	
29	39877GT	CONNECTOR,070120-4-4	2
30	39878GT	CONNECTOR,070120-6-6 GS-2032, GS-2632	1
31	42283GT	ELBOW,070320-6-6 GS-2032, GS-2632	2



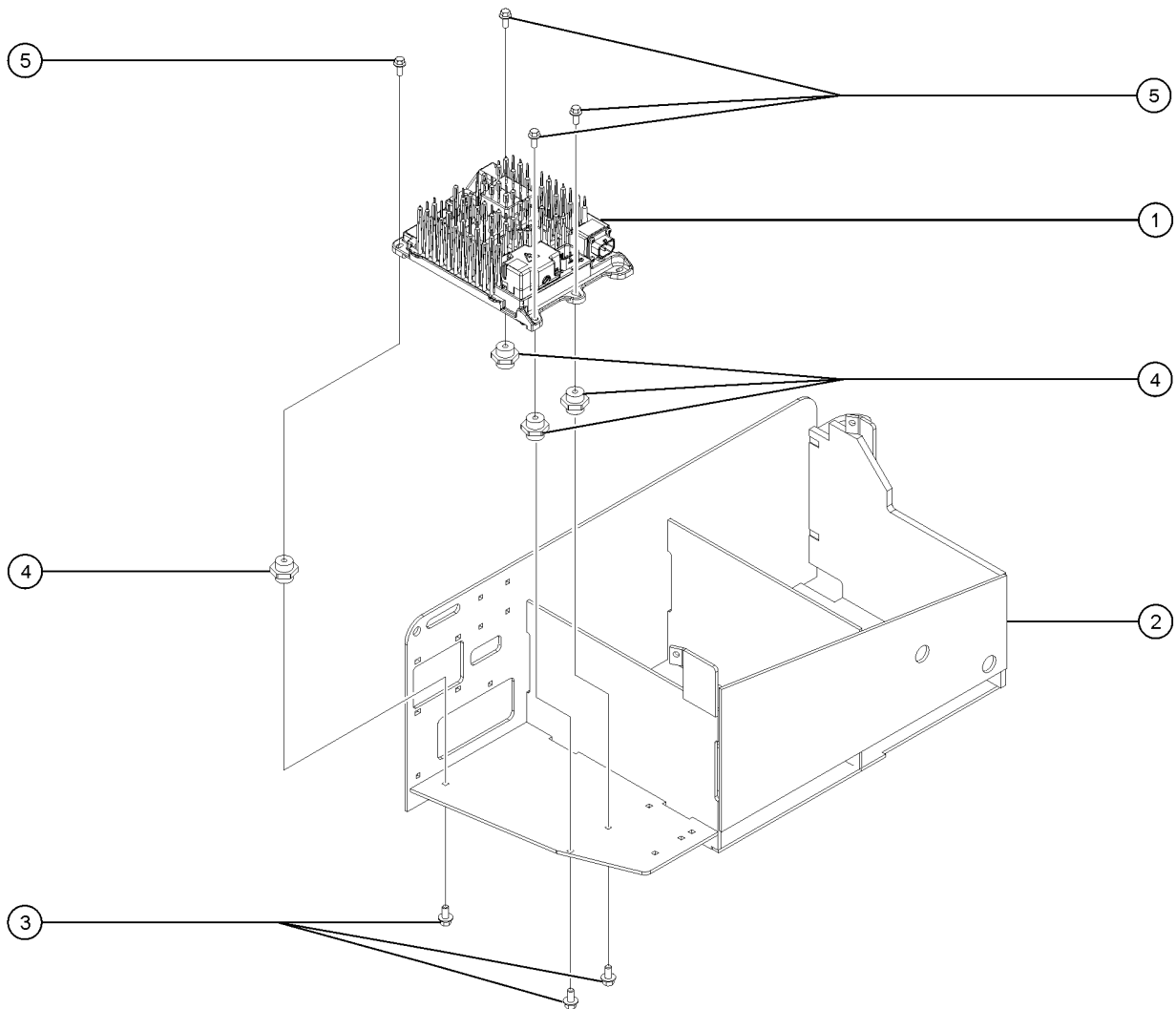
601.1 RCBO



<i>Item</i>	<i>Part No.</i>	<i>Description</i>	<i>Qty.</i>
1	1257227GT	SCREW,PHPM,10-32X.625,ZAG	2
2	1283004GT	NUT,NYLOCK FLG,10-24,A,ZAG	2
3	1269086GT	ENCLOSURE, FUSE, MODULAR, 100X150X96, IP65	1
4	824089GT	SCREW, HHF, 3/8-16 X .75, 8, ZAG	2
5	29868GT	SPRING CLIP,3/8-16,.05-.20X.73,ZAG	2
6	1274540GT	PLATE, RCBO, GS	1
7	231868GT	RCBO,16A,30MA,6KA 110/230V AC	1
8	1280947GT	GLAND ASSY,M25, 6-13MM	2
9	43956GT	WIRE CABLE, 14/GA/3 CON. TPE JKT* not shown	115
10	1280948GT	SLEEVE, CABLE-END, 16AWG, 1.5MM for 43956, not shown	6



602.1 Charger Isolation

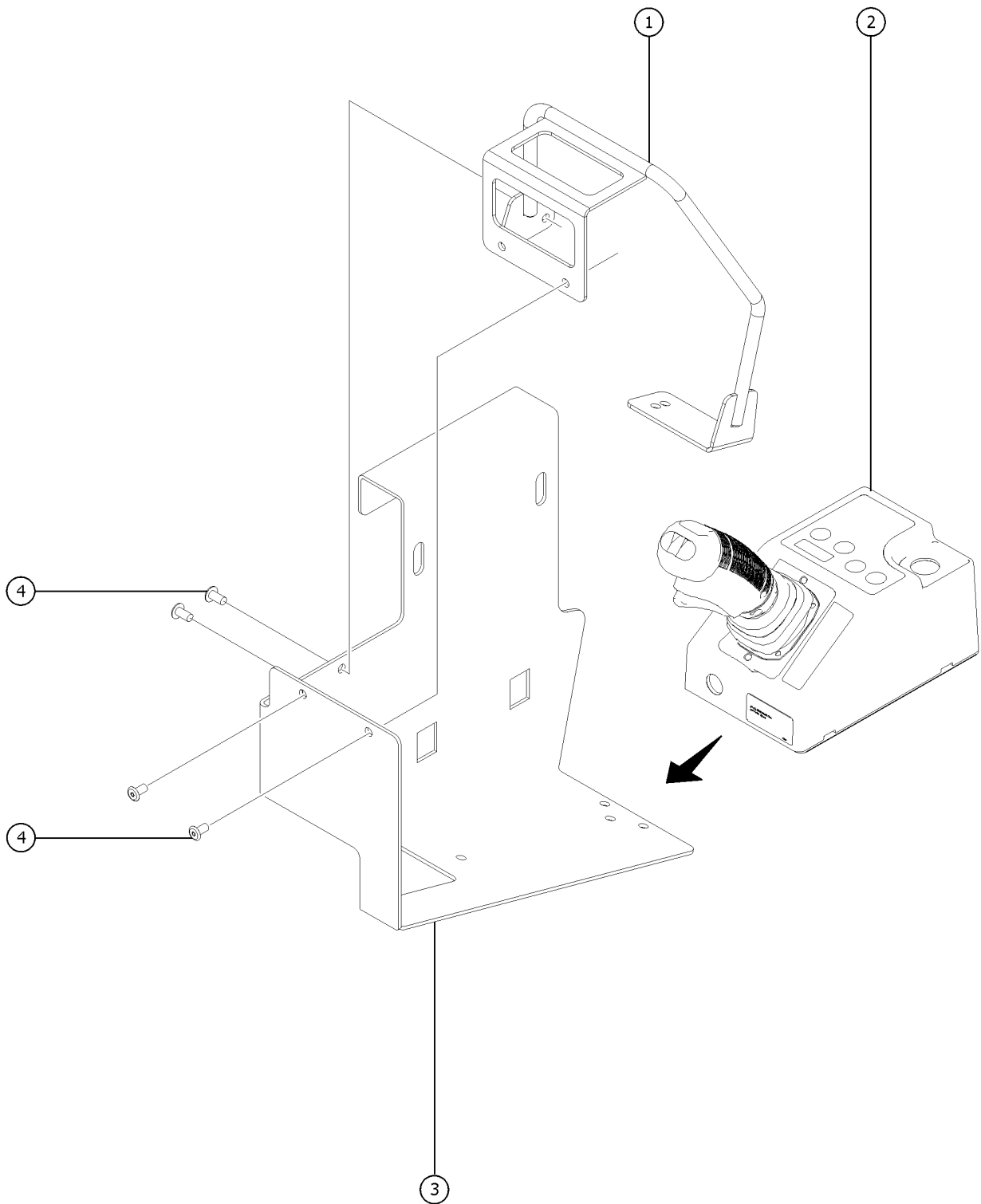


602.1 Charger Isolation

<i>Item</i>	<i>Part No.</i>	<i>Description</i>	<i>Qty.</i>
1		Ref.CHARGER, 24V, 650W, USB (refer to 206.1)	1
2	1304450GT	WLDMT,BATTERY TRAY,GS	1
3	824077GT	SCREW,HHF,1/4-20X.5,8,ZAG	3
4	1276847GT	ISOLATOR,SANDWICH,1/4-20,M2M	4
5	1256855GT	SCREW,HHF,1/4-20X.625,8,ZAG	4



603.1 PCON Guard

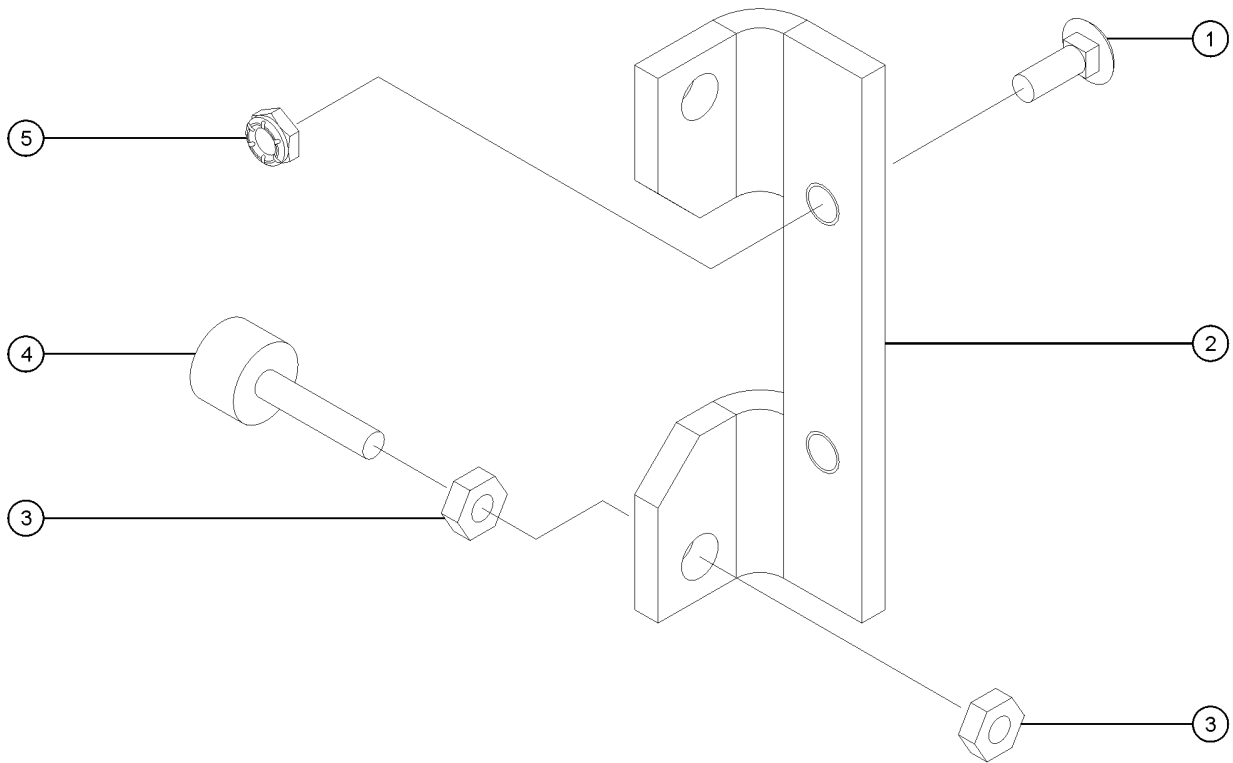


603.1 PCON Guard

<i>Item</i>	<i>Part No.</i>	<i>Description</i>	<i>Qty.</i>
1	1290292GT	WELDMENT, PCON GUARD ASSEMBLY, METRIC	1
2		Ref. PCON, GR/GRC/GS	
		(refer to 403.1 or 404.1)	
3		Ref. FORMING, PLAT CONTROL, GR/GRC	4
		(refer to 403.1 or 404.1), (holes drilled for PCON Guard option)	
4	6271GT	RIVET,STL,STL.MAN,P,.25 X .25	4



604.1 Bumper Assembly Tray

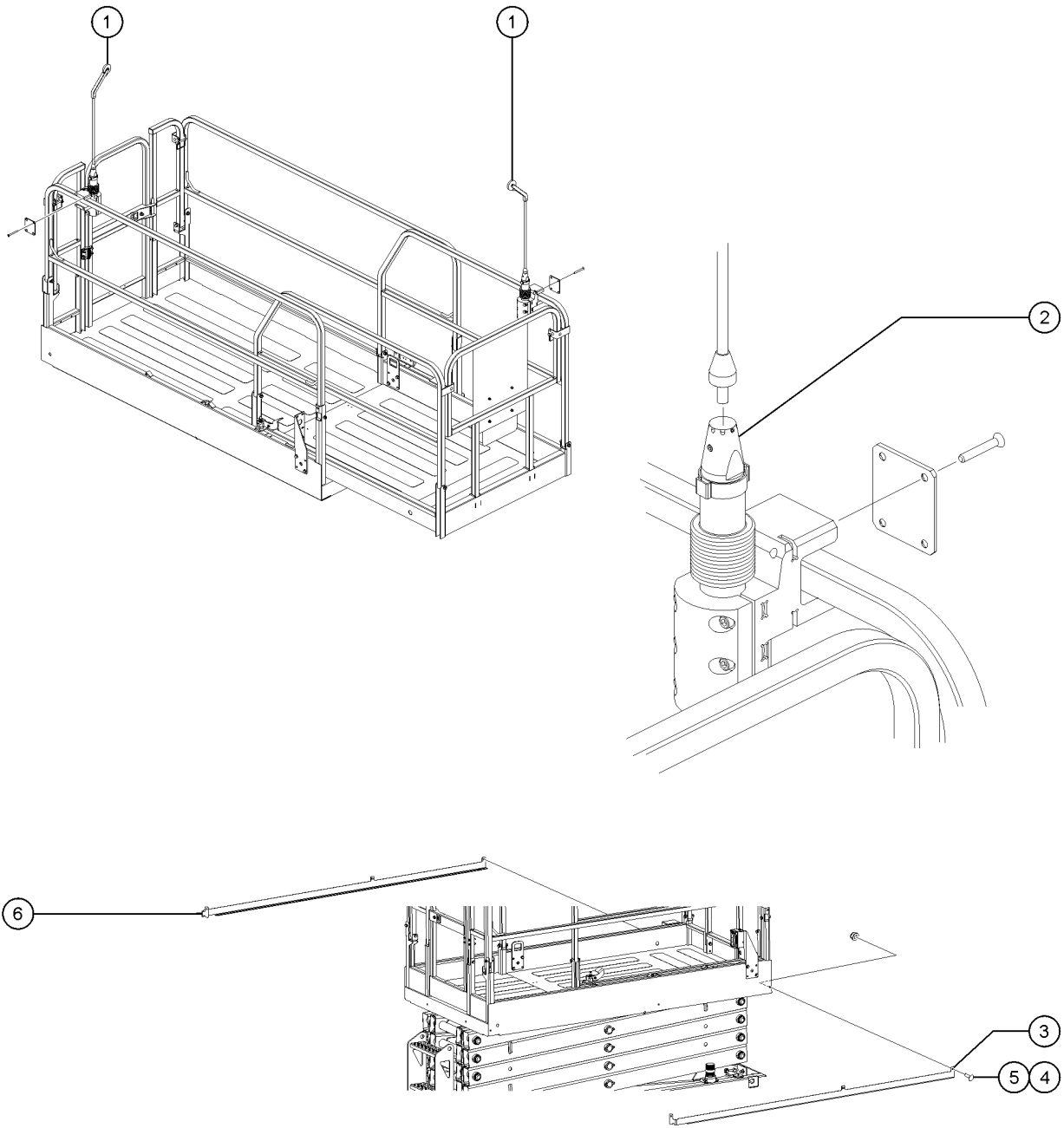


604.1 Bumper Assembly Tray

<i>Item</i>	<i>Part No.</i>	<i>Description</i>	<i>Qty.</i>
1	824124GT	BOLT, CARRIAGE, 1/4-20 X .75, 5, ZAG	2
2	1290291GT	BRACKET,BATTERY TRAY BUMPER	1
3	824037GT	NUT, HH JAM, 1/4-20, A, ZAG	4
4	36388GT	BUMPER,RUBBER,.75 X .50H,STUD	2
5	824027GT	NUT, TL FLG, 1/4-20, G, ZAG	2



605.1 Lift Guard Contact Alarm, View-1

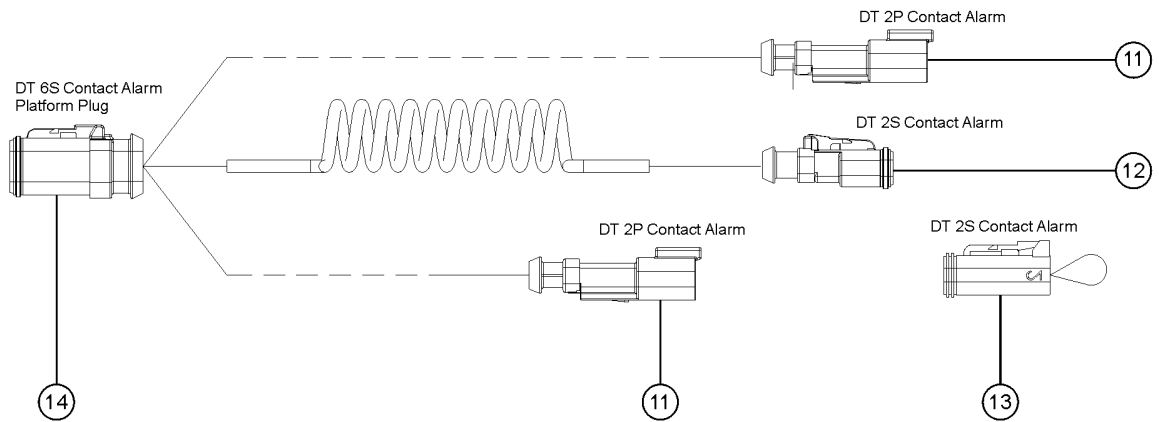
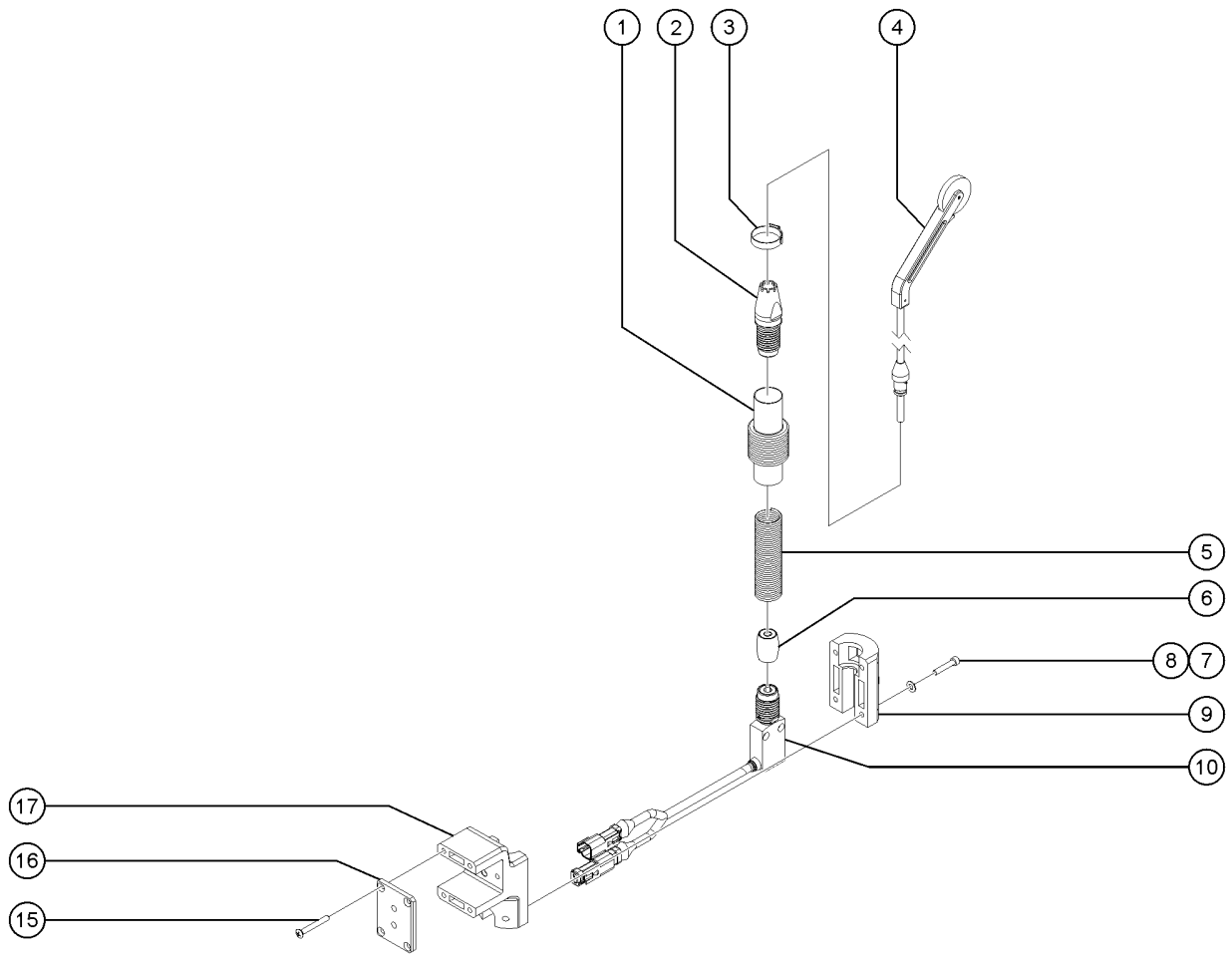


605.1 Lift Guard Contact Alarm, View-1

Item	Part No.	Description	Qty.
-	1291052GT	HARNESS,CONTACT ALARM,GS32 PLATFORM	1
1		ASSEMBLY, LIFTGUARD CONTACT ALARM	2
		refer to 608.1 (no longer available)	
2		ASSEMBLY, LIFTGUARD KNUCKLE	2
		OBSOLETE. refer to 608.1 (No longer available)	
3		FORMING,CABLE GUIDE,BAT,GS32	1
		ground control side (No longer available)	
4	824124GT	BOLT, CARRIAGE, 1/4-20 X .75, 5, ZAG	6
5	1277924GT	NUT,NYLOCK FLG,1/4-20,F,ZAG	6
6		FORMING,CABLE GUIDE,CNTRL,GS32	1
		battery side (No longer available)	



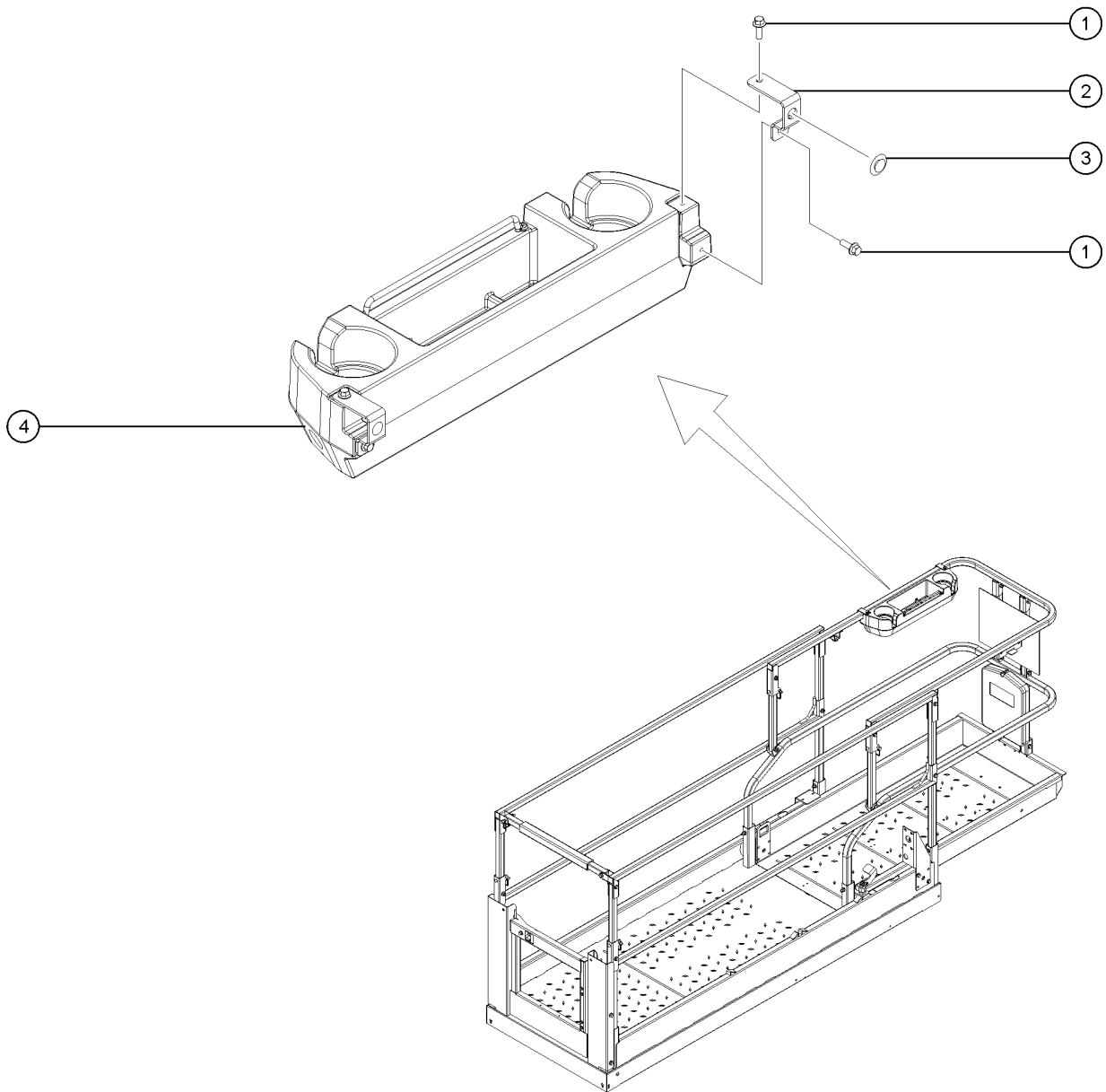
606.1 Lift Guard Contact Alarm, View-2



Item	Part No.	Description	Qty.
-		ASSEMBLY, LIFTGUARD CONTACT ALARM Includes items 1-10, 15-17 (no longer available)	1
-		ASSEMBLY, LIFTGUARD KNUCKLE OBSOLETE. (part of assy 1287673, includes items 1-3, 5, 6 and 10 (No longer available))	1
-	1291052GT	HARNES,CONTACT ALARM,GS32 PLATFORM Includes items- 11 - 14	1
1		BELLOW, LIFTGUARD CONTACT ALARM no longer available	1
2		ASSEMBLY, UPPER WHISKER MOUNTING no longer available	1
3	1298716GT	CLAMP, STEPLESS, ONE EAR no longer available	1
4		ASSEMBLY, WHISKER no longer available	1
5		SPRING, TENSION, CONTACT ALARM no longer available	1
6		ASSEMBLY, MAGNETIC SNAP BARREL no longer available	1
7		SCREW,SHC,10-24X1,F837,18.8,NYL,SS no longer available	4
8		WASHER,FLAT,0.219X0.437X0.031,SS no longer available	4
9		BRACKET, RT LIFTGUARD, PART 2/2 no longer available	1
10		ASSEMBLY, LIMIT SWITCH MOUNT no longer available	1
11	1288352GT	CONN,RECEP,2 WAY,DT,14-18GA,CE09 no longer available	2
11-	60439GT	CONN, RECEP, 2 WAY, DEUTSCH, DT, LOCK no longer available	2
12	1288351GT	CONN,PLUG,2 WAY,DT,14-18GA,CE13 no longer available	1
12-	60245GT	WLDMNT,CABLE TRACK GUIDE LONG* no longer available	1
13	119056GT	CONN, PLUG, 2 WAY, DEUTSCH, DT, ENDCAP no longer available	1
13-	60425GT	CONN, PLUG, 2 WAY, DEUTSCH, DT, LOCK no longer available	1
14	1288576GT	CONN,PLUG,6WAY,DT,14-18GA,CE13 no longer available	1
14-	60431GT	LOCK,PLUG 6 WAY,14-18GA no longer available	1
15		SCREW,OHPM,10-24X1.5,NYL,SS no longer available	4
16		PLATE, LIFTGUARD BRACKET no longer available	1
17		BRACKET, RT LIFTGUARD, PART 1/2 no longer available	1



607.1 Tool Tray Option

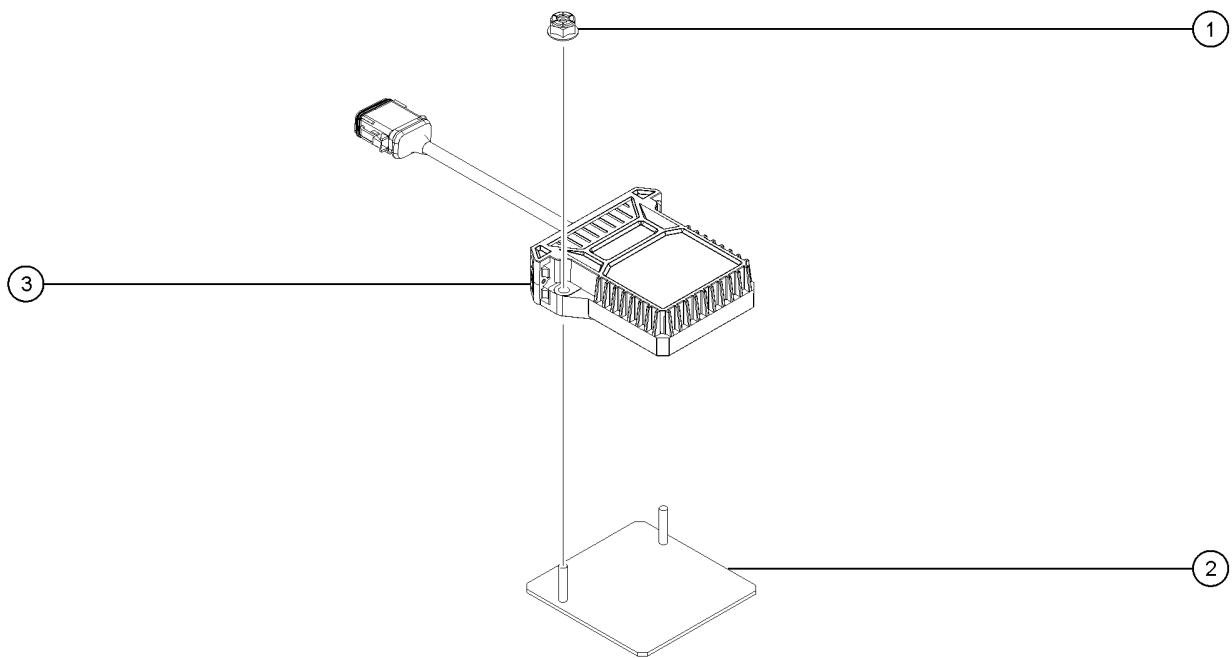


607.1 Tool Tray Option

<i>Item</i>	<i>Part No.</i>	<i>Description</i>	<i>Qty.</i>
1	824078GT	SCREW,HHF,1/4-20X.75,8,ZAG	4
2	1296036GT	FORMING, MOUNT, TOOL TRAY, GS	2
3	47478GT	BUMPER, RUBBER, 1"OD X .461H	2
4	1292944GT	TOOL TRAY, SLAB SCISSORS, GR	1



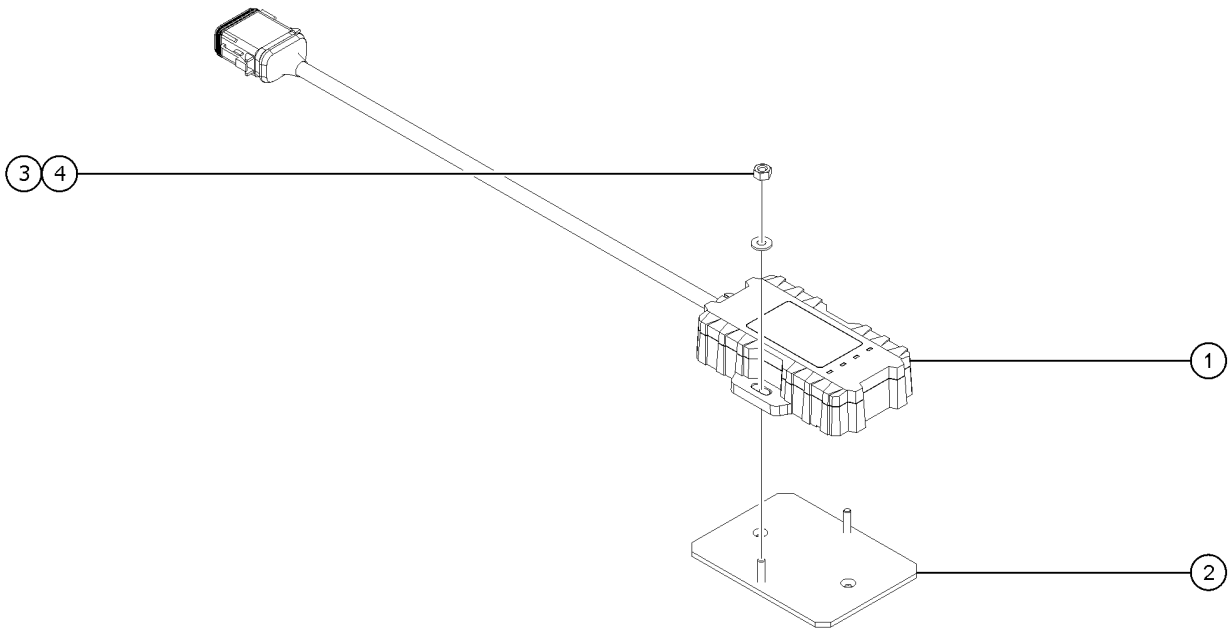
608.1 China Telematics Option, TZ200, SLAB



608.1 China Telematics Option,TZ200, SLAB

<i>Item</i>	<i>Part No.</i>	<i>Description</i>	<i>Qty.</i>
A	1303367GT	HARNESS,LOCK,TELEMATICS,GS	1
1	1277924GT	NUT,NYLOCK FLG,1/4-20,F,ZAG	2
2	1305593GT	BRACKET,CHINA TELEMATICS,COMMON	1
3	1313614GT	MODULE, TELEMATICS, TIZALINK, CHINA	1

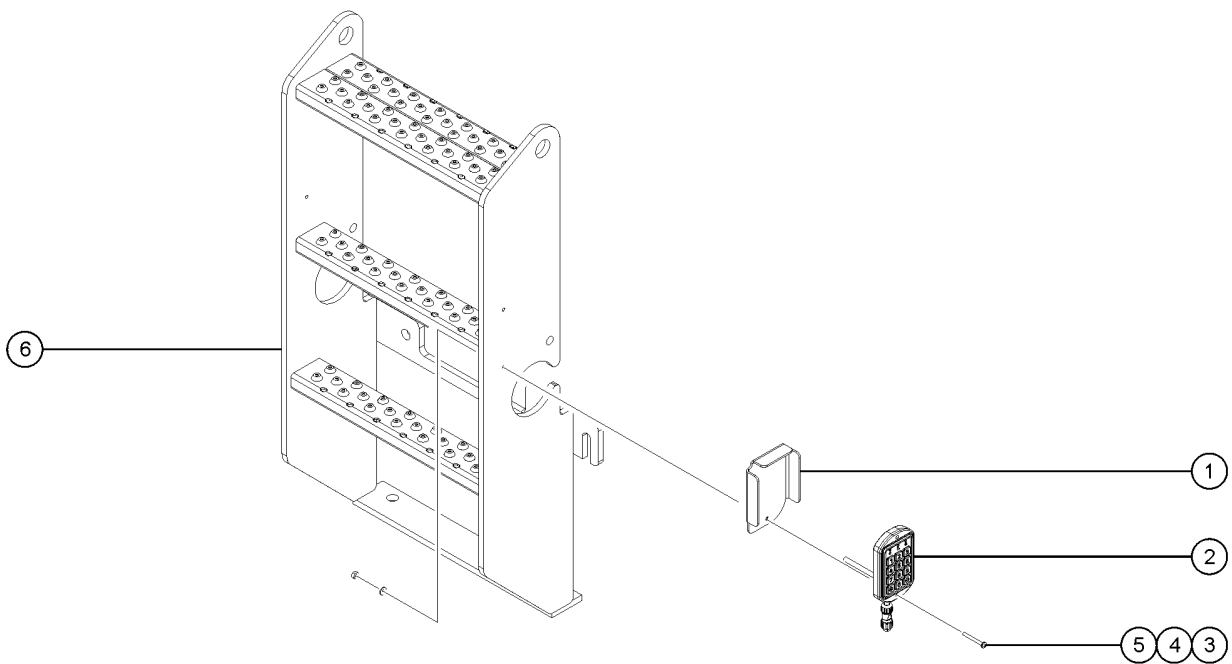




<i>Item</i>	<i>Part No.</i>	<i>Description</i>	<i>Qty.</i>
1	1289520GT	MODULE,TELEMATICS,ZTR,M7,NORTH AMERICA North America	1
1B	1289521GT	MODULE, TELEMATICS, ZTR, M7, EMEA/APAC EMEA/APAC	1
1C	1289522GT	MODULE, TELEMATICS, ZTR, M7, APAC/ANZ APAC/ANZ	1
1D	1289523GT	MODULE, TELEMATICS, ZTR, M7, JAPAN Japan	1
1E	1307427GT	MODULE,TELEMATICS,ZTR,M7,BRAZIL Brazil	1
2	1307200GT	BRACKET, TELEMATICS	1
3	1271081GT	NUT,NYLOCK,8-32,8,ZAG	2
4	1257390GT	WASHER,FLAT,#8,SAE,ZAG	2



609.1 Access Manager Option

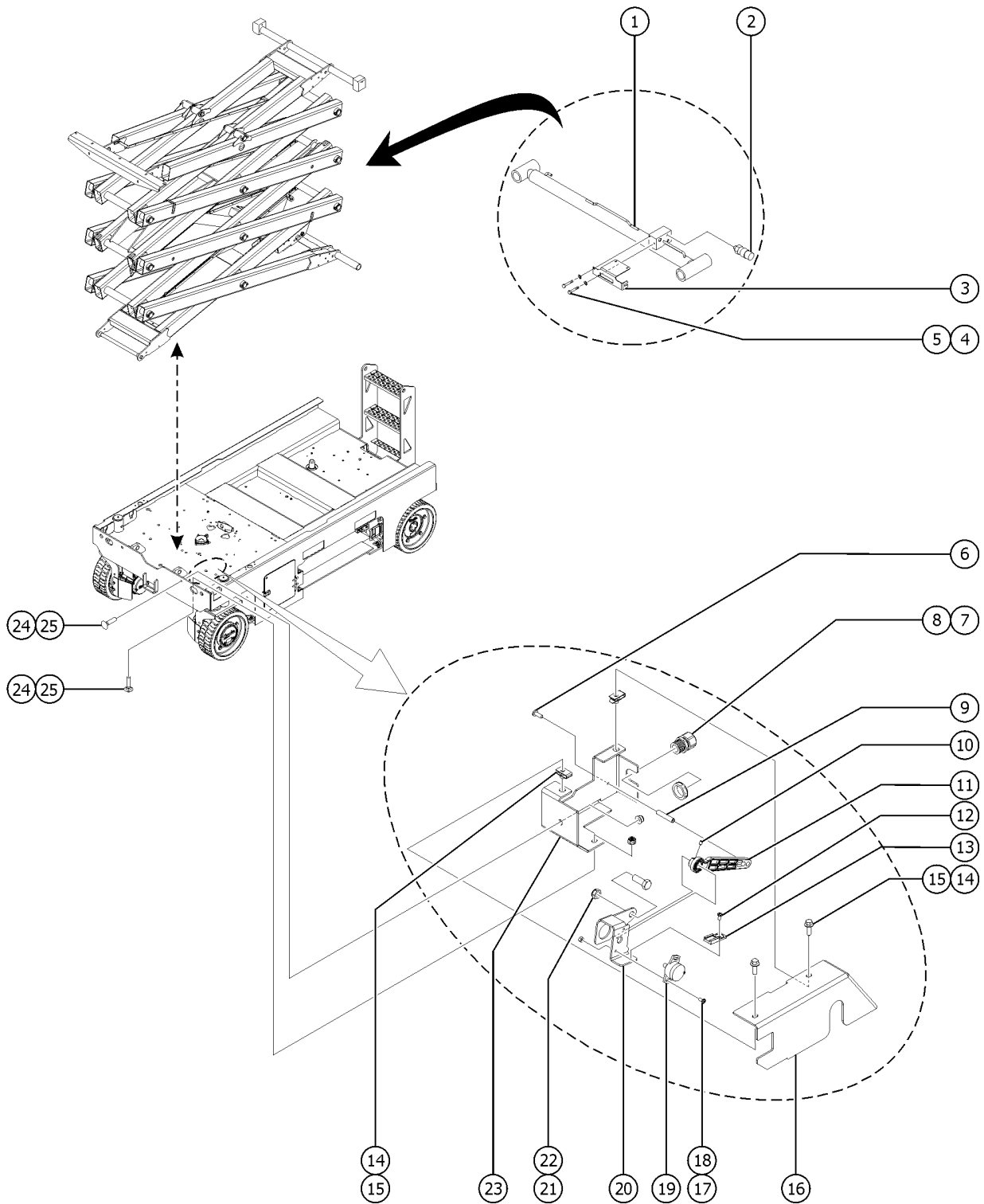


609.1 Access Manager Option

<i>Item</i>	<i>Part No.</i>	<i>Description</i>	<i>Qty.</i>
1	1299991GT	BRACKET, GS, ACCESS MNGR	1
2	1296895GT	KEYPAD, ACCESS MANAGEMENT, LIFT CONNECT	1
2-	1296896GT	HARNESS, ACCESS MANAGEMENT, 64"	1
2-	40928GT	CABLE TIE, BUTTON, BLACK, 10.00 LG	2
		for GS2032	
2-	40928GT	CABLE TIE, BUTTON, BLACK, 10.00 LG	3
		for GS2632, 3232	
3	1256698GT	SCREW,PHPM SEMS ET,8-32X1.5,ZAG	2
4	1257390GT	WASHER,FLAT,#8,SAE,ZAG	2
5	1271081GT	NUT,NYLOCK,8-32,8,ZAG	2
6		Ref. Ladder	
		refer to 202.1, 202.2	



701.1 Platform Overload



Item	Part No.	Description	Qty.
1		Ref: Lift Cylinder (refer to 503.1)	1
2	1291577GT	PRESSURE TRANSDUCER,0-5K PSI (only for GS2032, 2632)	1
2B	1295821GT	PRESSURE TRANSDUCER, 1-3K PSI (only for GS3232)	1
3	41557-SGT	CABLE BRACKET,PAINTED	1
4	7339GT	SCREW,HHC,1/4-20 X .5	1
5	6356GT	WASHER,LOCK,.25	1
6	1251757GT	SCREW,PHPM,10-32X.5,ZAG	1
7	33576GT	CONN,SQZ,BLK,1/2NPT,.38-.50,SM	1
8	T115429GT	NUT,CORDGRIP,1/2 NPT	1
9	T113142GT	OFFSET, RDN, 1/4-1.25,10-32	1
10	229146GT	SCREW,SET,8-32X.25	1
11	T114082GT	LEVER ARM,ANGLE SENSR ACTUATOR	1
12	39579GT	RIVET,STL,STL,.188 X .45	1
13	T113139GT	CLIP,DTM RECEP	1
14	824078GT	SCREW,HHF,1/4-20X.75,8,ZAG	2
15	56912GT	SPRING CLIP,1/4-20,.025-.15X.54,ZAG	2
16	1304102GT	FORMING,SENSOR COVER	1
17	1257296GT	SCREW,PHPM-ST,8-32X.50,TYPE F,ZAG	2
18	1271081GT	NUT,NYLOCK,8-32,8,ZAG	2
19	T113136GT	ASSY,ROT SENSR W/HARNESS	1
20	161981GT	FRMNG,ARM SENSOR BRCKT,32/46	1
21	1274322GT	NUT,NYLOCK FLG,3/8-16,F,ZAG	1
22	824068GT	SCREW,HHC,3/8-16X1,8,ZAG	1
23	1304101GT	FORMING,CHASSIS BRACKET	1
24	1256127GT	BOLT,CARRIAGE,1/4-20X1",GR 5,ZAG	2
25	1277924GT	NUT,NYLOCK FLG,1/4-20,F,ZAG	2

<u>Part no.</u>	<u>Page Number</u>	<u>Part no.</u>	<u>Page Number</u>	<u>Part no.</u>	<u>Page Number</u>
1268GT	11	37947GT	95, 99	44736GT	31
1484GT	11	38149GT	15, 21, 27, 37, 43, 49	44750GT	183
6021GT	183	39232GT	75	44751GT	183
6091GT	67, 75, 151	39310GT	143	44752GT	183
6271GT	193	39469GT	143	44777GT	183
6356GT	165, 209	39474GT	143	44778GT	183
6595GT	149	39540GT	89, 91, 153, 155	44780GT	59, 71
6626GT	151	39542GT	77	44781GT	59, 71
6700GT	97, 101	39579GT	143, 209	44788GT	175
6878GT	151	39873GT	185	44936GT	149
6935GT	149	39875GT	169, 171	44973GT	165
7056GT	149	39876GT	185	44979GT	165
7127GT	149	39877GT	167, 169, 181, 185,	44980GT	15, 21, 27, 37, 43, 49
7339GT	165, 209	39878GT	187	44981GT	31, 53
10777GT	151	39881GT	187	45546GT	149
13000GT	83	39882GT	185	46260GT	143
13585GT	149	40477GT	165	46287GT	13, 15, 19, 21, 25, 27
13635-10GT	59	40833GT	81, 83, 107, 117, 119	47163GT	143
13921GT	57, 61, 167, 169, 171,	40844GT	107, 183	47188GT	145
19491GT	185	40928GT	207	47225GT	143
20224GT	75, 77	41557-SGT	165, 209	47238GT	75
21279GT	177	41630GT	143	47478GT	201
22664GT	143	42079GT	71	47946GT	55, 59
22664GT	185	42283GT	187	48282GT	151
24514GT	145	43392GT	85, 145	48880GT	167, 177
25388GT	149	43618GT	31, 53	48997GT	167, 177
26785GT	85	43619GT	15, 21, 27	49612GT	173, 177
27581GT	11	43658GT	15, 21, 27, 37, 43, 49	49613GT	11, 173, 177
28131GT	117, 121	43685GT	183	49812GT	183
28174GT	15, 21, 27, 31, 37, 43...	43956GT	103, 105, 111, 115,	51063GT	89, 97, 101
28235GT	15, 21, 27, 31, 37, 43...	44168GT	149, 189	51147GT	121
28236GT	31	44169GT	177	51152GT	167
28443GT	165	44171GT	177	51474GT	129
29868GT	189	44174GT	173, 177	52376GT	173
30784-2550GT	81, 83, 85	44175GT	173, 177, 179	52380GT	173
31060GT	13, 19, 25	44226GT	177, 179	52475GT	13, 15, 19, 21, 25, 27...
31508GT	13, 19, 25	44227GT	173	55558GT	165
32150GT	11	44228GT	171	55560GT	165
32151GT	11	44229GT	177	55675GT	81, 83, 85, 89, 91
33576GT	209	44230GT	173, 177, 179	55748GT	121
33724GT	149	44236GT	177	55921GT	183
36369GT	127, 129, 133, 137	44716GT	183	56912GT	95, 99, 123, 149, 209
36388GT	195				



<u>Part no.</u>	<u>Page Number</u>	<u>Part no.</u>	<u>Page Number</u>	<u>Part no.</u>	<u>Page Number</u>
58000GT	129, 133, 139	82475GT	47, 49	96595GT	127
58627GT	97, 101	82481GT	35, 41, 47	96661GT	131, 139
60245GT	199	82487GT	37, 43, 49, 53	96662GT	131, 135, 139
60425GT	199	82495GT	35, 41, 47	96663GT	139
60431GT	199	82506GT	25, 27	96709GT	91
60439GT	199	82557GT	31	96735GT	131, 135, 139
62055GT	31, 53	82561GT	13, 15, 19, 21, 25, 27	96744GT	185
65990-SGT	145	82657GT	13, 19, 25	96750GT	187
66055GT	129, 131, 133, 135, 137, 139	82666GT	13, 15, 19, 21, 25, 27...	96770GT	165
66204GT	89, 91	83093GT	95, 99	96812GT	135, 139
66353GT	151	84384GT	177	96836GT	131, 133, 137
66355GT	151	84385GT	173, 177, 179	96855GT	91
66356GT	151	84386GT	177	96881GT	187
66389GT	185	84422GT	165	96882GT	187
66397GT	119	84699GT	59	96885GT	187
66399GT	11	84739GT	181	96899GT	129, 133, 139
66465GT	165	84740GT	181	96900GT	129, 133, 139
66717GT	81, 83, 117, 119	84742GT	181	96903GT	89
66765-3000GT	185	84743GT	181	96932GT	129, 133, 137
66770GT	55, 59	84746GT	181	96948GT	75, 77
66812GT	97, 101, 107, 153, 155	84748GT	181	96971GT	137
66817GT	97, 101, 107, 153, 155	85239GT	95, 99	97128GT	75, 77
66893GT	143	87684GT	55	97409GT	177
67744GT	171	96008-SGT	95, 99, 107	97719GT	37, 43, 49
72086GT	13, 15, 19, 21, 25, 27...	96009GT	95, 99, 149	104804GT	145
72143GT	15, 21, 27, 37, 43, 49	96010GT	95, 97, 99, 101	105046GT	187
72326GT	89, 153, 155	96085GT	77	105067GT	181
72973GT	31, 53	96110GT	117, 121	105090GT	151
72999GT	15, 21, 27	96130GT	133	105091GT	147
74006GT	149	96236GT	151	105117GT	151
76494GT	83	96257GT	175	105118GT	151
77709GT	177	96304GT	119	105146GT	143
78006GT	183	96306GT	119	105156GT	77
78038GT	145	96309GT	107	105193GT	129, 133, 137
78086GT	77	96348GT	185	105209GT	67, 75
78422GT	175	96354GT	187	105246GT	187
78546GT	11, 89, 91	96355GT	187	105440GT	55, 59, 75
78622GT	175	96391GT	185	105463GT	177
78736GT	57, 59, 89, 137	96398GT	185	105478GT	165
79140GT	117, 121	96419GT	175	105479GT	165
82366GT	15, 21, 27	96452GT	95, 99, 107	105481GT	165
82474GT	35, 37, 41, 43, 47, 49	96541GT	79	105483-SGT	151

<u>Part no.</u>	<u>Page Number</u>	<u>Part no.</u>	<u>Page Number</u>	<u>Part no.</u>	<u>Page Number</u>
105544GT	165	122994GT	97, 99	132614GT	71
105545GT	165	128118GT	67, 71	132901GT	91
105546GT	165	128518GT	31, 53	137562GT	95, 99
105547GT	175	128584GT	67	137587GT	153, 155
105549GT	165	131582GT	123	137605GT	31, 53, 153, 155
105550GT	159, 175	132021GT	145	137611GT	153, 155
105553GT	159, 175	132119GT	57, 59, 89	137634GT	157
105554GT	159, 175	132121GT	147	137637GT	95, 99, 153, 155
105555GT	159, 175	132127GT	147	137640GT	153, 155
105564GT	165	132128GT	143	137656GT	31, 53, 153, 155
105565GT	55, 61	132151GT	143	137668GT	95, 99
105575GT	171	132207GT	145	137699GT	153, 155
105578GT	185	132213GT	145	137769GT	83
105579GT	185	132227GT	145	137770GT	83
105628GT	171	132237GT	145	144119GT	31, 53
105629GT	171	132240GT	145	144120GT	31, 53
105634GT	123	132244GT	145	144121GT	31, 53
105645GT	169	132248GT	145	144129GT	151
105646GT	169	132265GT	145	144161GT	151
105647GT	169	132266GT	131, 135, 139	144655GT	171
105648GT	169	132267GT	129, 133, 137	150104GT	177
105649GT	169	132270GT	129, 135, 137	160412GT	149
105695GT	171	132273GT	131, 135, 137	160414GT	83
105708GT	125	132288GT	131, 135, 139	161981GT	209
105720GT	79	132294GT	131, 135, 139	214544GT	157
105734GT	95, 99	132298GT	129, 135, 137	226163GT	91
105758GT	123	132299GT	129	227164GT	91
105759GT	95, 99	132304GT	129, 137	227166GT	91
105802GT	185	132310GT	127	227167GT	153, 155
105804GT	185	132354GT	55, 59	229086GT	157
105812GT	149	132375GT	133	229087GT	157
109745GT	123	132379GT	133	229088GT	157
109750GT	171	132383GT	133	229089GT	157
109756GT	171	132385GT	133	229090GT	157
109757GT	173	132390GT	137	229091GT	157
109877GT	171	132392GT	137	229092GT	157
109878GT	171	132393GT	139	229093GT	157
112772GT	149	132401GT	137	229094GT	157
114324GT	31, 53	132436GT	137	229097GT	157
114338GT	53	132521GT	137	229146GT	209
114377GT	35, 41, 47	132556GT	99	229571GT	129, 133, 139
119056GT	199	132557GT	95, 99	229845GT	153, 155



<u>Part no.</u>	<u>Page Number</u>	<u>Part no.</u>	<u>Page Number</u>	<u>Part no.</u>	<u>Page Number</u>
231868GT	189	825020GT	129, 133, 137	1257059GT	119
232576GT	119	825349GT	83	1257227GT	189
232578GT	119	825352GT	81, 85	1257296GT	209
232582GT	119	825353GT	57, 67, 71	1257390GT	205, 207
233050GT	103, 107, 111, 115	825358GT	79, 81, 143	1257402GT	81
233051GT	103, 107, 111, 115	825796GT	129, 133, 139	1257609GT	83
233052GT	113	826854GT	97, 101	1257733GT	11
233053GT	103, 107, 111, 113	1251757GT	209	1257840GT	93, 107
233055GT	113	1252764GT	89, 95, 99	1258187GT	151
233371GT	119	1252977GT	143	1258567GT	11
234922GT	89	1253477GT	97, 101, 143	1258731GT	153, 155
235463GT	157	1253478GT	143	1259059GT	167, 187
236837GT	183	1253485GT	145	1259062GT	185
237086GT	167	1255450GT	55	1259083GT	185
237238GT	55	1255756GT	75	1259084GT	187
237455GT	165	1255757GT	55, 59, 67, 71, 77, 89...	1259085GT	167, 187
823368GT	75, 107	1255758GT	143	1259177GT	77
824027GT	83, 195	1255759GT	123	1259178GT	79
824032GT	149	1255797GT	55, 61, 89	1259179GT	77
824037GT	195	1255805GT	81, 83	1259180GT	77
824038GT	77, 143	1256051GT	59, 71	1259181GT	143
824067GT	67, 71, 145	1256109GT	55, 59, 71	1259183GT	185
824068GT	55, 71, 209	1256112GT	67, 71	1259184GT	185
824077GT	191	1256115GT	67, 71, 123	1259185GT	167
824078GT	93, 147, 149, 201, 209	1256123GT	59	1259186GT	167
824079GT	123	1256127GT	15, 91, 129, 133, 137, 209	1259192GT	57, 61
824080GT	91, 129, 133, 137	1256179GT	67, 71	1259193GT	57, 59
824081GT	55, 67, 75	1256287GT	59, 67, 71	1259194GT	57, 59
824089GT	189	1256291GT	57	1259195GT	57, 59
824092GT	127	1256463GT	91, 123	1259197GT	77
824094GT	145	1256517GT	183	1259201GT	139
824113GT	89	1256679GT	57, 133, 81, 83, 129, 133...	1259223GT	143
824120GT	55, 59	1256693GT	143	1259339GT	143
824124GT	81, 83, 85, 89, 91, 95...	1256698GT	207	1259686GT	79
824125GT	123	1256719GT	95, 99	1260703GT	89
824128GT	57, 59, 77	1256756GT	123, 137	1260926GT	145
824151GT	133	1256844GT	55, 67	1260940GT	129, 133, 139
824164GT	133	1256855GT	191	1260941GT	129, 133, 139
824206GT	95, 99	1256863GT	81, 83, 85, 93	1260963GT	129, 135
824215GT	149	1257054GT	119	1260984GT	95, 99, 125
824216GT	75, 77, 95, 99	1257055GT	119	1260987GT	171
825019GT	127	1257058GT	119	1261183GT	75



<u>Part no.</u>	<u>Page Number</u>	<u>Part no.</u>	<u>Page Number</u>	<u>Part no.</u>	<u>Page Number</u>
1261888GT	177	1280819GT	15, 21, 27	1290291GT	195
1262934GT	185, 187	1280947GT	189	1290292GT	193
1263152GT	83	1280948GT	189	1290574GT	81, 85
1263471GT	149	1280957GT	153, 155	1290659GT	15, 21, 27
1263542GT	35, 37, 41, 43, 47, 49	1280958GT	143, 153, 155	1290664GT	15, 21, 27
1263543GT	13, 15, 19, 21, 25, 27	1281174GT	31, 53	1290668GT	13, 19, 25
1264372GT	107	1281175GT	53	1290673GT	37, 43, 49
1265361GT	15, 21, 27	1282144GT	83	1290675GT	13, 19, 25
1265771GT	113	1282153GT	71	1291052GT	109, 113, 197, 199
1268950GT	151	1283004GT	189	1291053GT	103, 111
1269086GT	189	1283790GT	153	1291334GT	107
1270456GT	107	1283792GT	107, 153	1291577GT	107, 171, 209
1270457GT	83	1283796GT	155	1291624GT	15, 21, 27, 37, 43, 49
1270598GT	91	1283798GT	155	1292051GT	15, 21, 27
1270600GT	91	1283810GT	31, 53	1292052GT	37, 43, 49
1271081GT	205, 207, 209	1283812GT	31, 53	1292275GT	13, 15, 19, 21, 25, 27...
1272120GT	109	1283878GT	15, 21, 27, 37, 43, 49	1292512GT	15, 21, 27, 37, 43, 49
1272121GT	103	1284285GT	95, 99, 107	1292513GT	15, 21, 29, 37, 43, 49
1272122GT	97, 101	1284286GT	95	1292514GT	17, 23, 29, 37, 43, 49
1272123GT	97, 101	1284292GT	153	1292515GT	17, 23, 29, 37, 43, 49
1272232GT	87	1284293GT	155	1292747GT	13, 17, 19, 23, 25, 29
1272242GT	15, 21, 27, 37, 43, 49	1284302GT	149	1292944GT	201
1272557GT	87, 103, 111, 113	1284781GT	89, 97, 101	1292960GT	13, 19, 25
1272844GT	87, 109	1284981GT	15, 21, 27	1292990GT	17, 23, 29, 37, 43, 49
1273016GT	91	1284982GT	37, 43, 49	1293165GT	31
1273394GT	113	1286357GT	143	1293166GT	53
1273576GT	103, 109, 111, 113	1287951GT	89	1293217GT	35, 37, 41, 43, 47, 49...
1273880GT	145	1288351GT	199	1293284GT	107
1273881GT	145	1288352GT	199	1293324GT	17, 23, 29
1274165GT	123	1288365-5750GT	167	1294398GT	31
1274166GT	129, 133, 139	1288481GT	81, 85, 117, 121	1294635GT	31
1274168GT	75, 77, 81, 85	1288499GT	87	1294685GT	17, 23, 29
1274170GT	139	1288500GT	87	1294688GT	53
1274172GT	59, 67, 71, 123	1288576GT	199	1294708GT	137
1274322GT	55, 59, 67, 71, 77, 89...	1288762GT	55, 67	1294831GT	185
1274540GT	189	1288926-3988GT	167	1295821GT	209
1276847GT	191	1288926-5738GT	169	1296034GT	31, 53
1277860GT	145	1289520GT	205	1296036GT	201
1277924GT	55, 59, 75, 81, 85, 89...	1289521GT	205	1296209GT	63
1278704GT	15, 21, 27, 37, 43, 49	1289522GT	205	1296211GT	63
1279428GT	87	1289523GT	205	1296218GT	65
1280665GT	149	1289899GT	103, 107, 111, 113	1296219GT	65

<u>Part no.</u>	<u>Page Number</u>	<u>Part no.</u>	<u>Page Number</u>	<u>Part no.</u>	<u>Page Number</u>
1296300GT	31	1300029GT	79	1302845GT	161
1296301GT	53	1300036GT	77	1303148GT	79
1296305GT	31	1300053GT	77	1303257GT	161
1296306GT	53	1300079GT	129, 135, 139	1303364GT	89
1296821GT	31	1300318GT	11	1303367GT	203
1296823GT	31	1300319GT	161	1303372GT	91
1296824GT	31	1300538GT	67	1303373GT	91
1296895GT	207	1300540GT	77	1303529GT	57
1296896GT	207	1300619GT	77	1303530GT	55
1297194GT	25, 29, 47, 51	1300620GT	77	1303546GT	103, 111, 113
1297195GT	13, 17, 19, 23, 25, 29...	1300729GT	77	1303590GT	81
1297433GT	13, 17, 19, 23, 25, 29...	1300741GT	77	1303748GT	113
1297791GT	103, 113, 117	1300742GT	77	1303778GT	123
1297792GT	117	1300747GT	77	1303914GT	107
1297793GT	105, 111, 115, 117, 121	1300887GT	103, 111, 113	1304101GT	209
1297794GT	103, 115, 117	1300939GT	127	1304102GT	209
1297795GT	103, 113, 117	1301073GT	75	1304120GT	113
1297796GT	105, 111, 115, 117, 121	1301149GT	161	1304127GT	61
1297797GT	103, 113, 117	1301158GT	33	1304128GT	59
1297798GT	105, 111, 115, 117, 121	1301172GT	67, 71	1304130GT	81
1297799GT	103, 113, 117	1301219GT	159	1304152GT	89
1298407GT	103	1301545GT	163	1304156GT	55
1298467GT	53	1301547GT	161	1304157GT	167
1298544GT	33	1301548GT	163	1304158GT	167
1298545GT	53	1301745GT	123	1304171GT	55
1298646-4125GT	167	1301854GT	103, 111, 113	1304172GT	55
1298716GT	199	1302207GT	161	1304173GT	55
1298833GT	13, 19, 25	1302259GT	127	1304450GT	191
1298834GT	35, 41, 47	1302363GT	145	1304513GT	125, 169
1298923GT	89	1302369GT	145	1304815GT	123
1298933GT	11	1302833GT	161	1304830GT	123
1299048GT	77	1302834GT	161	1304831GT	69, 73
1299051GT	123	1302835GT	161	1304861GT	67, 73
1299259GT	55	1302836GT	161	1304862GT	67, 73
1299390GT	81	1302837GT	161	1304907GT	123
1299483GT	129, 135, 139	1302838GT	161	1304908GT	123
1299590GT	177, 179	1302839GT	161	1305108GT	85
1299642GT	75	1302840GT	161	1305193GT	85
1299643GT	95	1302841GT	161	1305297GT	55
1299697GT	59	1302842GT	163	1305535GT	13, 17, 35, 39
1299991GT	207	1302843GT	161	1305536GT	19, 23, 41, 45
1300025GT	77	1302844GT	161	1305537GT	25, 29, 47, 51

<u>Part no.</u>	<u>Page Number</u>	<u>Part no.</u>	<u>Page Number</u>	<u>Part no.</u>	<u>Page Number</u>
1305593GT	203	1311454GT	145		
1305634GT	149	1311603GT	103, 107, 111, 113		
1305746GT	149	1311621GT	13, 19		
1306162GT	111	1311622GT	13, 19		
1306174GT	67	1311623GT	35, 41		
1306182GT	91	1311985GT	177		
1306187GT	129, 135, 139	1313257GT	89, 91		
1306190GT	67, 71, 103, 107, 111, 113	1313486GT	63		
1306284GT	85	1313614GT	203		
1306358GT	55	1313991GT	161		
1306366GT	67, 71	1313992GT	161		
1306368GT	67, 71	1318721GT	177		
1306577GT	111	T106362GT	95, 99		
1306776GT	67, 71	T106363GT	95, 99		
1306778GT	67, 71	T106366GT	95, 99		
1306878GT	111, 121	T106367GT	155		
1306879GT	111, 121	T106368GT	153		
1306882GT	111, 121	T106370GT	153, 155		
1306954GT	65	T106372GT	95, 99		
1307058GT	161	T106373GT	153, 155		
1307059GT	161	T107029GT	13, 19, 25		
1307200GT	205	T108662GT	183		
1307205GT	107	T108663GT	175		
1307427GT	205	T109012GT	91		
1307565GT	161	T112507GT	103, 107, 111, 113		
1307566GT	161	T112560GT	151		
1307567GT	161	T112561GT	151		
1307568GT	161	T112804GT	17, 23, 29, 39, 45, 51		
1308050GT	111	T113136GT	103, 107, 111, 113, 209		
1308286GT	75, 107, 111, 113	T113139GT	209		
1308511GT	161	T113142GT	209		
1308894GT	89	T114031GT	107		
1308895GT	89	T114082GT	209		
1308977GT	159	T115429GT	209		
1309158GT	67				
1309762GT	183				
1309763GT	183				
1309764GT	183				
1309803GT	103				
1310378GT	149				
1311282GT	91				
1311384GT	13, 17, 19, 23, 35, 39...				





California Proposition 65

 **WARNING**

Operating, servicing and maintaining this equipment, passenger vehicle or off-highway motor vehicle can expose you to chemicals including engine exhaust, carbon monoxide, phthalates, and lead, which are known to the State of California to cause cancer and birth defects or other reproductive harm. These chemicals can be emitted from or contained in other various parts and systems, fluids and some component wear by-products. To minimize exposure, avoid breathing exhaust, do not idle the engine except as necessary, service your equipment and vehicle in a well-ventilated area and wear gloves or wash your hands frequently when servicing your equipment or vehicle and after operation. For more information go to www.P65Warnings.ca.gov/passenger-vehicle.

Breathing diesel engine exhaust exposes you to chemicals known to the State of California to cause cancer and birth defects or other reproductive harm.

- Always start and operate the engine in a well-ventilated area.
- If in an enclosed area, vent the exhaust to the outside.
- Do not modify or tamper with the exhaust system.
- Do not idle the engine except as necessary.

For more information go to www.P65warnings.ca.gov/diesel.

www.genielift.com

Distributed By:

Parts Manual
GS-2032, GS-2632, GS-3232

from SN GSS32D -10101

Part No.
1306158GT

Rev B8

Genie
A TEREX BRAND