



---

# Illustrated Parts Manual

## **MODELS**

### **1930ES**

**SN 0200198014  
TO 0200239381  
SN B200000100  
TO B200020296**

### **2030ES / 2630ES**

**SN 0200198014  
TO PRESENT  
SN B200000100  
TO PRESENT**

### **2646ES / 3246ES**

**SN 0200198014  
TO 0200239381  
SN B200000100  
TO B200020296**

3121275

February 1, 2018

**ANSI**

**CE**



An Oshkosh Corporation Company



## REVISION LOG

**NOTES:**

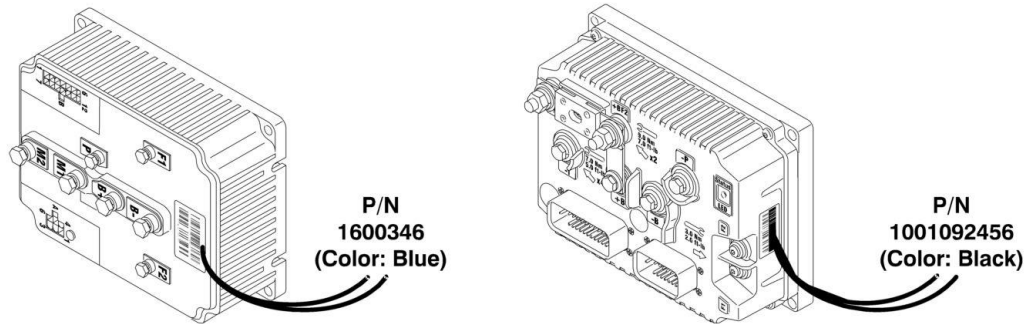
**NOTE:** Country of Manufacture - The ES Scissor Lifts are manufactured by JLG Industries in the following countries: USA, Belgium or China. Refer to the Serial Number Tag to identify the country of manufacture. ES Scissors manufactured in the USA will have a serial number prefix of 02 (i.e. 02XXXXXXXX), ES Scissors manufactured in Belgium will have a prefix of 12 (i.e. 12XXXXXXXX) and ES Scissors manufactured in the China will have a serial number prefix of B2 (i.e. B2XXXXXXXX).

**NOTE:** 1930ES, 2030ES, 2630ES, 2646ES & 3246ES Global Illustrated Parts Manual P/N 3121167 has been replaced by multiple manuals. Review machine SN and use the Global Illustrated Parts Manual for the correct serial number range:

- USA Built Machines Prior to SN 0200135154 - Use manual p/n 3121246.
- USA Built Machines SN 0200135154 to SN 0200152824 - Use manual p/n 3121247.
- USA Built Machines SN 0200152825 to SN 0200198013 - Use manual p/n 3121248.
- USA Built Machines SN 0200198014 to SN 0200239381 - Use manual p/n 3121275.
- USA Built Machines SN 0200239382 to Present - Use manual p/n 3121681 (1930ES)
  - Use manual p/n 3121682 (2032ES and 2632ES)
  - Use manual p/n 3121683 (2646ES and 3246ES)
- Belgium Built Machines Prior to SN 1200004293 - Use manual p/n 3121246.
- Belgium Built Machines SN 1200004293 to SN 1200008480 - Use manual p/n 3121247.
- Belgium Built Machines SN 1200008481 to Present - Use manual p/n 3121248.
- China Built Machines SN B200000100 to SN B200020296- Use manual p/n 3121275.
- China Built Machines SN B200020297 to Present - Use manual p/n 3121681 (1930ES)
  - Use manual p/n 3121682 (2032ES and 2632ES)
  - Use manual p/n 3121683 (2646ES and 3246ES)

**NOTE:** Drive Module Identification - The module is located inside a compartment on the frame behind the front drive wheels. Remove the cover and identify the drive module by part number or visual identification (See illustration below). Also, identify the country of manufactured by referring to the SN nameplate before ordering parts (See note above).

- USA** built machines: All machines built Prior to SN 0200198014 use the 1600346 Drive Module. All Machines built SN 0200198014 to present machines use the 1001092456 Drive Module.
- Belgium** built machines. All machines use the 1600346 Drive Module.
- China** built machines: All machines use the 1001092456 Drive Module.



**MANUAL REVISION LOG:**

- July 22, 2011 - Original Issue of Manual (Edited B/M 0010588 Revision B)
- October 7, 2011 - Revised Manual (Edited B/M 0010588 Revision C)
- January 10, 2012 - Revised Manual (Edited B/M 0010588 Revision D)
- June 20, 2012 - Revised Manual (Edited B/M 0010588 Revision H)
- August 23, 2012 - Revised Manual (Edited B/M 0010588 Revision H)
- January 10, 2013 - Revised Manual (Edited B/M 0010588 Revision H)
- April 15, 2013 - Revised Manual (Edited B/M 0010588 Revision H)
- July 10, 2013 - Revised Manual (Edited B/M 0010588 Revision H)

## REVISION LOG

October 9, 2013 - Revised Manual (Edited B/M 0010588 Revision H)

March 14, 2014 - Revised Manual (Edited B/M 0010588 Revision Q)

November 4, 2014 - Revised Manual

July 1, 2015 - Revised Manual

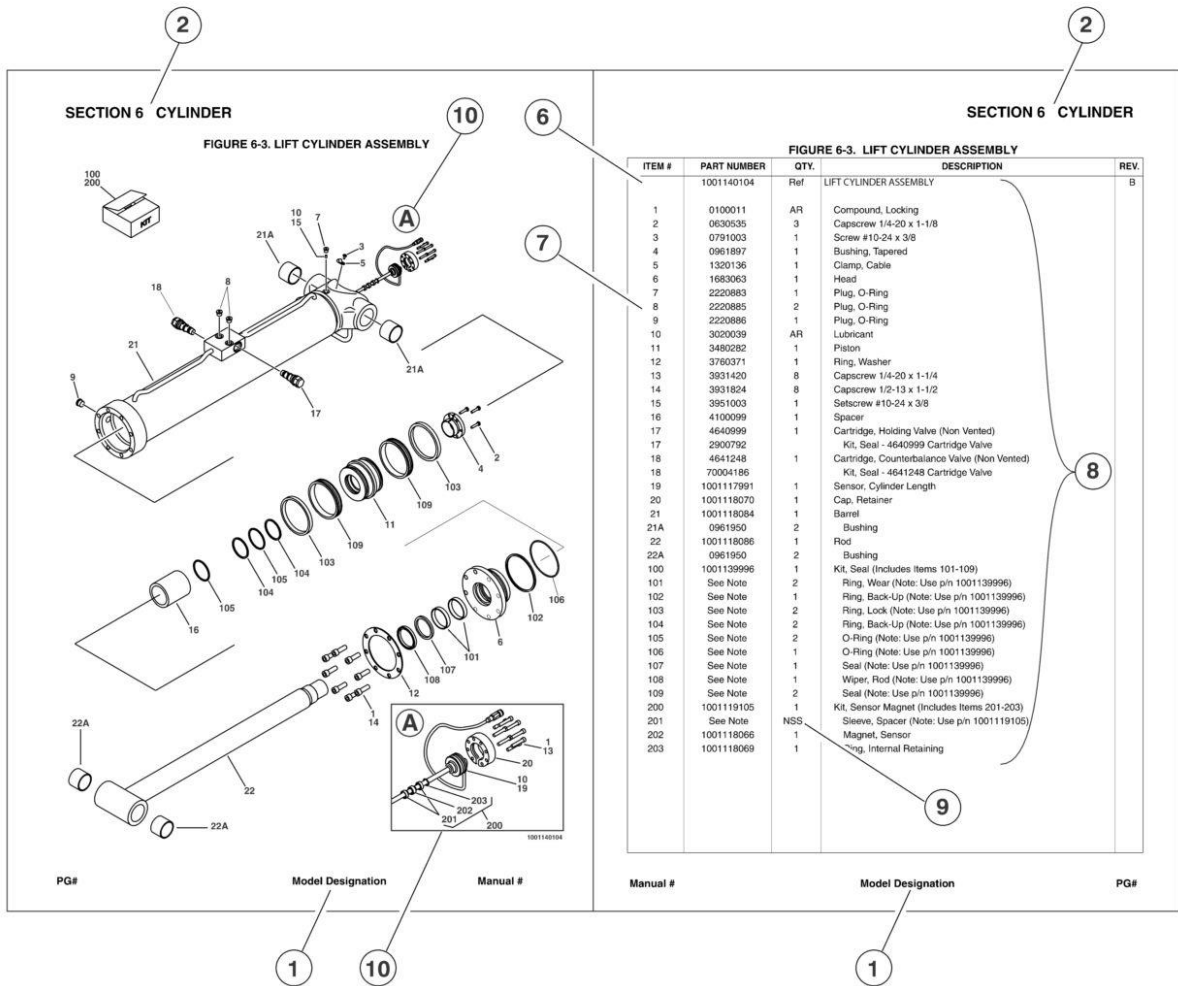
September 15, 2015 - Revised Manual

March 31, 2016 - Revised Manual

February 1, 2018 - Revised Manual



# GENERAL INFORMATION



## 1) MACHINE IDENTIFICATION

Machines are identified by model and in some cases a combination of models, serial number (SN) or regional standard (i.e ANSI, CE, CSA). Components may also be identified by SN or manufacturer. Common components that may be identified by these characteristics are engines and hydraulic components.

## 2) PARTS MANUAL ORGANIZATION

Product information in this manual is organized under section titles. Frame, Cylinder, Hydraulic and Electrical are a few examples. Each section is organized by figure and page number. The information within the Figure is then organized by item number, part number, description and corresponding illustration (s).

## 3) TABLE OF CONTENTS

A table of contents is found toward the beginning of the manual. Figure number, description and page number are provided for quick reference to the page containing the related information.

## 4) RECOMMENDED SPARE PARTS

The Recommended Spare Parts, located near the end of the manual, reference most frequently used maintenance parts.

## 5) PART NUMBER INDEX

A numerical index listing all part numbers and the corresponding page number(s) appears at the back of the manual.

## GENERAL INFORMATION

### 6) NON-SERVICED PARTS

In some instances, it is necessary to display non-serviced parts, assemblies or installations. In the case of assemblies and installations there will be a Ref in the Qty column. In case of parts that are not available for service within assemblies or components, there will be a NSS (Not Sold Separately) or NLA (No Longer Available) listed in the Qty. column of the manual.

### 7) PARTS LIST ITEM NUMBERS

Numbers shown in the item# column correspond to numbers used in the associated illustration (s). Item numbers which are missing from the sequence in the parts list are not used on that page

### 8) INDENTED PARTS DESCRIPTION

An indented part description is included in the item under which it is indented.

### 9) ABB REVIATION AND SYMBOLS

AC.....	.. Alternating Current	LCD .....	Liquid Crystal Display
ADE.....	..Advanced Design Electronics	LED .....	Light Emitting Diodes
ANSI .....	..American National Standards Institute	LH.....	.. Left Hand
AR.....	..As Required	LSS .....	..Load Sensing System
ASSY .....	Assembly	M(m).....	.. Metric/Meter
AUX.....	..Auxiliary	MM (mm) .....	..Milimeter
AWG.....	..American WireGauge	mA.....	.. Milliamps
B/M.....	.. Bill of Material	NLA.....	..No Longer Available
CE.....	..European Conformity	NPT .....	.. National Pipe T threads
CCW .....	..Counter Clockwise	NSS .....	..Not Sold Separately
cm.....	..Centimeter	OD.....	..Outside Diameter
CW.....	..Clockwise	OR B.....	.. O-Ring Bos s
CSA.....	..Canadian Standards Association	OR F S.....	.. O-Ring Face Seal
CYL.....	..Cylinder	OZ (oz).....	..Ounces
DIA.....	..Diameter	PG .....	..Page
DC.....	..Direct Current	P/N.....	..Part Number
EMS .....	Emergency Stop	qt.....	..Quarts
ENG .....	..Engine	QTY.....	..Quantity
FT (ft).....	..Feet	REF .....	..Reference
GA(Ga).....	..Gauge	REV .....	..Revision Level
HYD .....	..Hydraulic	RH.....	.. Right Hand
Hz.....	..Hertz	SAE.....	.. Society of Automotive Engineers
ID.....	..Inside Diameter	SN.....	..Serial Number
in.....	..inches	SPEC(S).....	..Specifications
ISO .....	..International Organization for Standards	T/T.....	..Turntable
JIC.....	..Joint Industry Council	UGM .....	..Universal Ground Module
KG .....	..Kilogram	V.....	.. Volts
L.....	..Liter	W.....	.. Watts
LB.....	..Pounds	#.....	.. Number

### 10) ILLUSTRATION REFERENCE LETTERS

When necessary, illustrations may contain reference letters that are intended to track information (i. e. hoses, harnesses) from one point to another or to track visual enlargement of components to show details that may be located in another area on the illustration.

*Note: Due to continuous product improvements, JLG Industries, Inc. reserves the right to make specification changes without prior notification. Contact JLG Industries, Inc. for updated information.*

# TABLE OF CONTENTS

SECTION 1 - FRAME.....	9
FIGURE 1-1. STEERING, DRIVE AND REAR AXLE INSTALLATIONS .....	10
FIGURE 1-2. WHEEL DRIVE ASSEMBLY .....	14
FIGURE 1-3. DRIVE MODULE AND OTHER FRAME MOUNTED COMPONENTS.....	20
FIGURE 1-4. POTHOLE PROTECTION INSTALLATION (1930ES/2030ES/2630ES).....	24
FIGURE 1-5. POTHOLE PROTECTION INSTALLATION (2646ES/3246ES) .....	26
FIGURE 1-6. BATTERY CHARGER ASSEMBLY AND INSTALLATION (DELTA-Q CHARGER).....	28
FIGURE 1-7. BATTERY CHARGER ASSEMBLY AND INSTALLATION (EAGLE PERFORMANCE) .....	32
FIGURE 1-8. BATTERY CHARGER WITH INVERTER ASSEMBLY AND INSTALLATION (OPTIONAL ON ANSI AND CSA SPEC MACHINES) .....	34
FIGURE 1-9. INVERTER INSTALLATION (WITHOUT BATTERY CHARGER) (OPTIONAL ON ANSI SPEC MACHINES) .....	36
FIGURE 1-10. LADDERS, BEACON LIGHT AND ROTARY SENSOR COVER INSTALLATION.....	40
SECTION 2 - GROUND COMPONENTS.....	43
FIGURE 2-1. BATTERIES AND COVERS INSTALLATION .....	44
FIGURE 2-2. GROUND CONTROL ASSEMBLY AND INSTALLATION .....	48
FIGURE 2-3. BRAKE DISCONNECT/RELEASE AND MDI (MULTIFUNCTION DIGITAL INDICATOR) GAUGE INSTALLATIONS .....	52
SECTION 3 - SCISSOR ARMS.....	55
FIGURE 3-1. SCISSOR ARMS INSTALLATION - 1930ES .....	56
FIGURE 3-2. SCISSOR ARMS INSTALLATION - 2030ES .....	60
FIGURE 3-3. SCISSOR ARMS INSTALLATION - 2630ES .....	64
FIGURE 3-4. SCISSOR ARMS INSTALLATION - 2646ES .....	68
FIGURE 3-5. SCISSOR ARMS INSTALLATION - 3246ES .....	72
SECTION 4 - PLATFORM.....	77
FIGURE 4-1. PLATFORM INSTALLATION .....	78
FIGURE 4-2. RAIL (FIXED) INSTALLATION - 1930ES.....	82
FIGURE 4-3. RAIL (FOLD-DOWN) INSTALLATION - 1930ES .....	86
FIGURE 4-4. RAIL INSTALLATION - 2030ES/2630ES .....	90
FIGURE 4-5. RAIL INSTALLATION - 2646ES/3246ES .....	94
FIGURE 4-6. PLATFORM CONSOLE BOX INSTALLATION .....	98
FIGURE 4-7. DRIVE/STEER CONTROLLER ASSEMBLY .....	102
FIGURE 4-8. WORKSTATION INSTALLATIONS.....	104
FIGURE 4-9. PACKAGE INSTALLATION (1930ES/2030ES/2630ES).....	106
FIGURE 4-10. PACKAGE INSTALLATION (2646ES/3246ES) .....	108
FIGURE 4-11. PANEL INSTALLATIONS .....	110
FIGURE 4-12. QUIK WELDER INSTALLATION.....	112
SECTION 5 - CYLINDER.....	115
FIGURE 5-1. LIFT CYLINDER ASSEMBLY (TEXAS HYDRAULICS) .....	116
FIGURE 5-2. LIFT CYLINDER ASSEMBLY (SH-PAC) .....	122
FIGURE 5-3. LIFT CYLINDER ASSEMBLY (SERTA).....	128
FIGURE 5-4. STEER CYLINDER ASSEMBLY (TEXAS HYDRAULICS).....	134
FIGURE 5-5. STEER CYLINDER ASSEMBLY (SH-PAC).....	136
FIGURE 5-6. STEER CYLINDER ASSEMBLY (SERTA) .....	138
SECTION 6 - HYDRAULIC .....	141
FIGURE 6-1. HYDRAULIC DIAGRAM.....	142
SECTION 7 - ELECTRICAL .....	145
FIGURE 7-1. 1930ES ELECTRICAL COMPONENTS INSTALLATION .....	146
FIGURE 7-2. 2030ES/2630ES ELECTRICAL COMPONENTS INSTALLATION .....	158
FIGURE 7-3. 2646ES/3246ES ELECTRICAL COMPONENTS INSTALLATION .....	170
SECTION 8 - DECALS.....	183
FIGURE 8-1. DECAL INSTALLATION (ANSI SPEC) .....	184

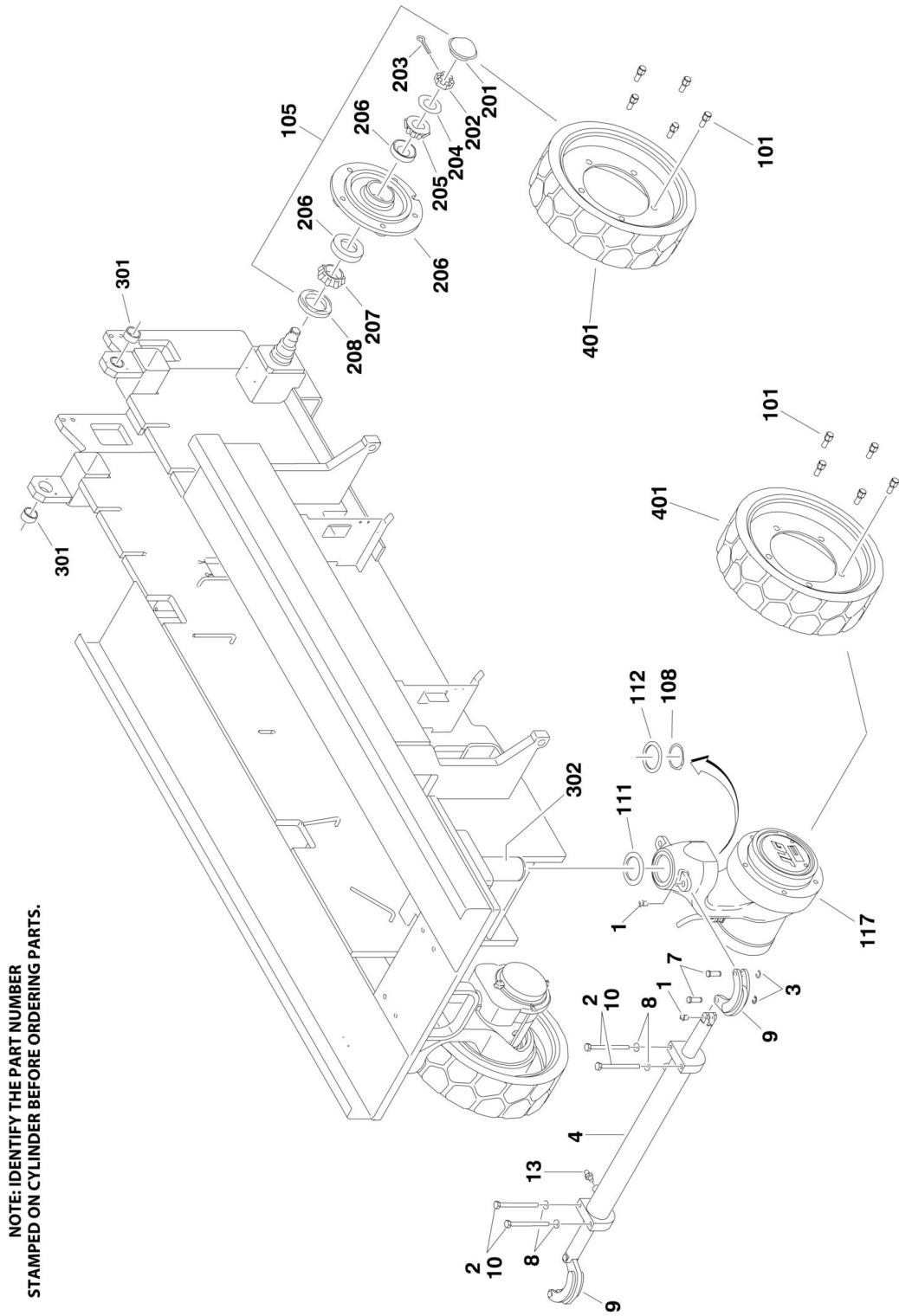
# TABLE OF CONTENTS

FIGURE 8-2. DECALS INSTALLATIONS (ANSI EXPORT SPEC) .....	190
FIGURE 8-3. DECAL INSTALLATION (AUSTRALIAN, CE AND JAPANESE SPECS) .....	196
SECTION 9 - RECOMMENDED SERVICE PARTS STOCK .....	201
FIGURE 9-1. MODEL ES STANDARD PARTS .....	202
FIGURE 9-2. MODEL ES VARIABLE PARTS .....	204
FIGURE 9-3. MODEL ES MAINTENANCE KITS .....	206
SECTION 10 - SPECIAL OPTIONS .....	207
FIGURE 10-1. SPECIAL OPTIONS .....	208
PART NUMBER INDEX .....	213

**SECTION 1 - FRAME**

# SECTION 1 - FRAME

## FIGURE 1-1. STEERING, DRIVE AND REAR AXLE INSTALLATIONS



NOTE: IDENTIFY THE PART NUMBER STAMPED ON CYLINDER BEFORE ORDERING PARTS.

# SECTION 1 - FRAME

## FIGURE 1-1. STEERING, DRIVE AND REAR AXLE INSTALLATIONS

ITEM	PART NUMBER	QTY	DESCRIPTION	REV
		Ref	<b>STEERING INSTALLATION</b>	
		Ref	<b>USA Built Machines</b>	
	0272371	Ref	<b>USA Built Machines 1930ES (SN 0200198014 through 0200226776)</b>	L
	1001157326	Ref	<b>USA Built Machines 1930ES (SN 0200226777 through 0200227794)</b>	B
	1001131074	Ref	<b>USA Built Machines 1930ES (SN 0200227795 through 0200237861)</b>	E
	1001157326	Ref	<b>USA Built Machines 1930ES (SN 0200237862 through 0200239381)</b>	B
	0273227	Ref	<b>USA Built Machines 2030ES/2630ES (SN 0200198014 through 0200226776)</b>	J
	1001157327	Ref	<b>USA Built Machines 2030ES/2630ES (SN 0200226777 through 0200227794)</b>	B
	1001131075	Ref	<b>USA Built Machines 2030ES/2630ES (SN 0200227795 through 0200237861)</b>	D
	1001157327	Ref	<b>USA Built Machines 2030ES/2630ES (SN 0200237862 through 0200239381)</b>	B
	0274546	Ref	<b>USA Built Machines 2646ES/3246ES (SN 0200198014 through 0200226776)</b>	G
	1001157328	Ref	<b>USA Built Machines 2646ES/3246ES (SN 0200226777 through 0200228265)</b>	B
	1001131076	Ref	<b>USA Built Machines 2646ES/3246ES (SN 0200228266 through 0200237861)</b>	E
	1001157328	Ref	<b>USA Built Machines 2646ES/3246ES (SN 0200237862 through 0200239381)</b>	B
		Ref	<b>China Built Machines:</b>	
	0272371	Ref	<b>China Built Machines 1930ES (SN B200000100 through B200014592)</b>	J
	1001131074	Ref	<b>China Built Machines 1930ES (SN B200014593 through B200020296)</b>	B
	0273227	Ref	<b>China Built Machines 2030ES/2630ES (SN B200000100 through B200014592)</b>	I
	1001131075	Ref	<b>China Built Machines 2030ES/2630ES (SN B200014593 to Present)</b>	C
	0274546	Ref	<b>China Built Machines 2646ES/3246ES (SN B200000100 through B200014592)</b>	E
	1001131076	Ref	<b>China Built Machines 2646ES/3246ES (SN B200014593 through B200020296)</b>	B
1	0440259	2	Bearing, Flanged	
2		Ref	Bolt M10 Options:	
2	0701016	4	Bolt 40mm Length	
2	0701020	4	Bolt 60mm Length	
3	1380153	4	E-Clip	
4		Ref	Steer Cylinder Assembly (See CYLINDER SECTION for Breakdown):	
		Ref	<b>USA Built Machines</b>	
4	1684237	1	<b>Steer Cylinder Assembly USA Built Machines 1930ES/2030ES/2630ES (SN 0200198014 through 0200226776)</b>	
4	1001155850	1	<b>Steer Cylinder Assembly USA Built Machines 1930ES/2030ES/2630ES (SN 0200226777 through 0200227794)</b>	
4	1001129267	1	<b>Steer Cylinder Assembly USA Built Machines 1930ES/2030ES/2630ES (SN 0200227795 through</b>	

# SECTION 1 - FRAME

ITEM	PART NUMBER	QTY	DESCRIPTION	REV
4	1001155850	1	<b>0200237861)</b> Steer Cylinder Assembly USA Built Machines 1930ES/2030ES/2630ES (SN 0200237862 through <b>0200239381)</b>	
4	1684456	1	Steer Cylinder Assembly USA Built Machines 2646ES/3246ES (SN 0200198014 through 0200226776)	
4	1001155851	1	Steer Cylinder Assembly USA Built Machines 2646ES/3246ES (SN 0200226777 through 0200228265)	
4	1001129268	1	Steer Cylinder Assembly USA Built Machines 2646ES/3246ES (SN 0200228266 through 0200237861)	
4	1001155851	1	Steer Cylinder Assembly USA Built Machines 2646ES/3246ES (SN 0200237862 through 0200239381)	
4		Ref	China Built Machines	
4		Ref	China Built Machines 1930ES/2030ES/2630ES	
4	1684237	1	Steer Cylinder Assembly China Built Machines 1930ES (SN B200000100 through B200014592)	
4	1001129267	1	Steer Cylinder Assembly China Built Machines 1930ES (SN B200014593 through B200020296)	
4	1001129267	1	Steer Cylinder Assembly China Built Machines 2030ES/2630ES (SN B200014593 to Present)	
4		Ref	China Built Machines 2646ES/3246ES	
4	1684456	1	Steer Cylinder Assembly China Built Machines (SN B200000100 through B200014592)	
4	1001129268	1	Steer Cylinder Assembly China Built Machines (SN B200014593 through B200020296)	
7	3423037	4	Pin, Clevis	
8	4812000	4	Flatwasher M10	
9	4846757	2	Lug, Steer	
10	0100011	AR	Compound, Locking	
13	2110404	2	Fitting, Straight	
		Ref	<b>DRIVE INSTALLATION</b>	
	1001117032	Ref	<b>Drive Installation 1930ES</b>	B
	1001114882	Ref	<b>Drive Installation 2030ES/2630ES</b>	D
	1001117033	Ref	<b>Drive Installation 2646ES/3246ES</b>	B
101	0630580	20	Bolt, Wheel	
105	2780266	2	Hub Assembly (See Items 201-208 for Breakdown)	
108	3760463	2	Ring, Retaining	
111	4740524	2	Thrustwasher M60	
112	4740564	2	Washer, Spindle Retaining	
117		Ref	Wheel Drive Assembly Options (See WHEEL DRIVE ASSEMBLY for Breakdown):	
117	1001092737	2	Wheel Drive Assembly 1930ES	
117	1001092738	2	Wheel Drive Assembly 2030ES/2630ES/2646ES/3246ES	
117	1001092738	2	Wheel Drive Assembly 2646ES/3246ES	
	2780266	Ref	<b>HUB ASSEMBLY</b>	D
		Ref	<b>Note: Qtys shown for 1 Assembly. Two Assemblies required per machine.</b>	
201	1001102354	1	Cap, Dust (was p/n 7012524)	
202	3300423	1	Nut, Slotted (was p/n 7010641)	
203	3450406	1	Pin, Cotter 2in x 3/16in (was p/n 7010642)	
204	4740468	1	Washer (was p/n 7019697)	
205	1001102351	1	Bearing, Cone - Outer (was p/n 7026185)	
206	See Note	NSS	Hub (Note: Use p/n 2780266)	
207	1001102353	1	Bearing, Cone - Inner (was p/n 7026183)	

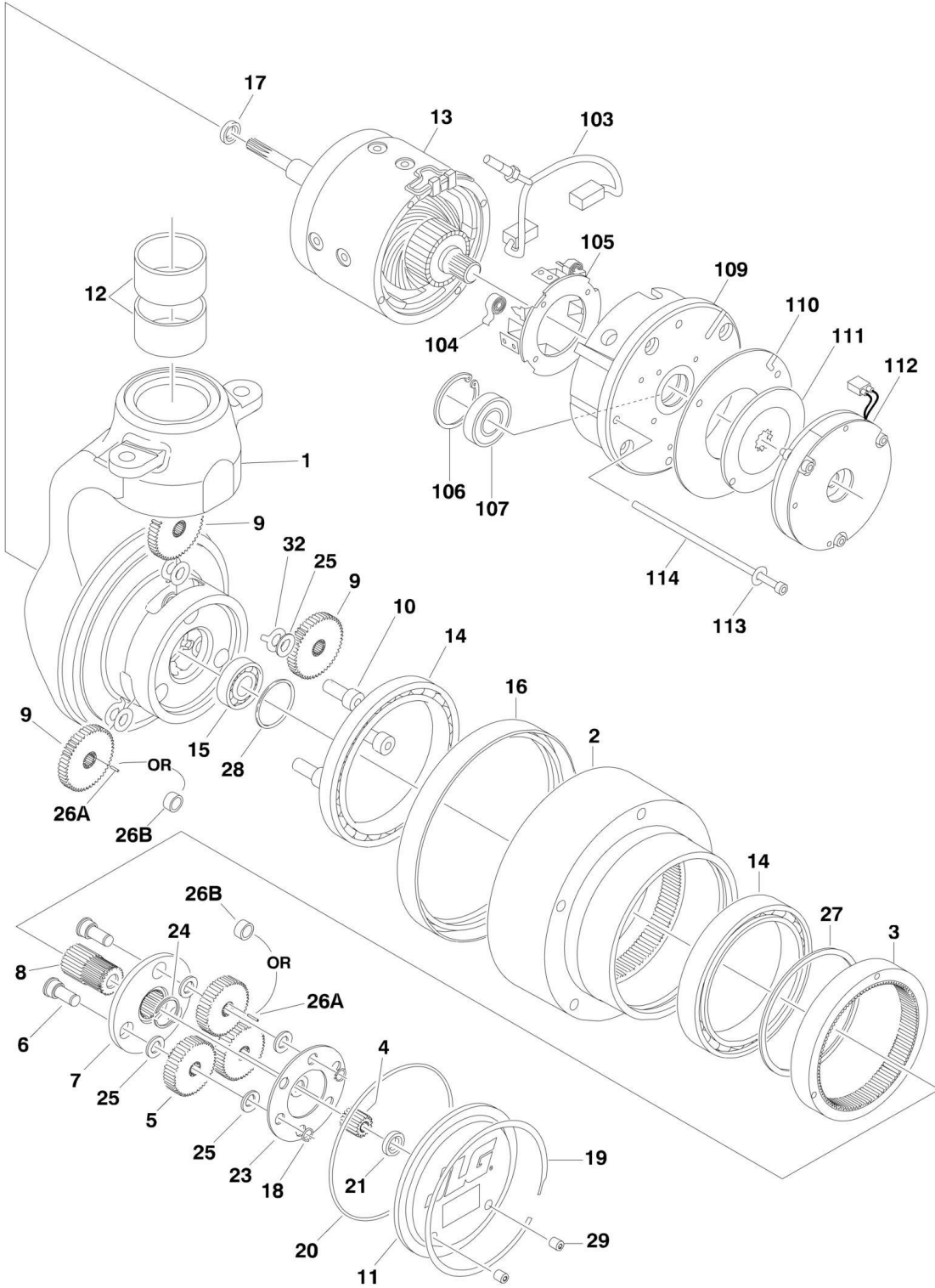


## SECTION 1 - FRAME

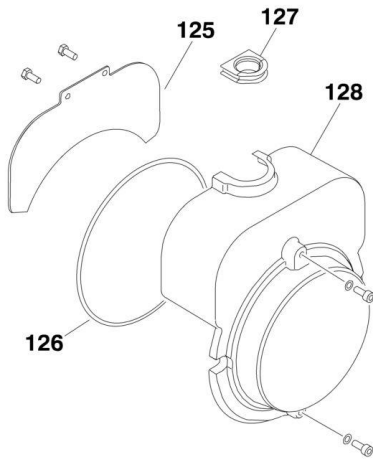
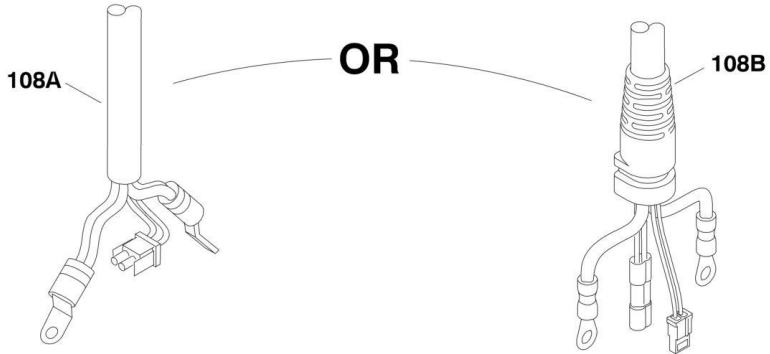
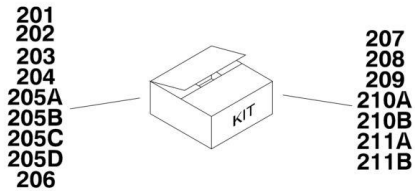
ITEM	PART NUMBER	QTY	DESCRIPTION	REV
208	1001102349	1	Seal (was p/n 7026184)	
		Ref	<b>FRAME WELDMENTS</b>	
301		Ref	Bushing Options:	
301	0440264	2	Bushing 1930ES	
301	0440265	2	Bushing 2030ES/2630ES/2646ES/3246ES	
302		Ref	Kingpin Rework Instruction Options (Provides rework procedure for damaged kingpins):	
302	3128601	AR	Kingpin Rework Instruction 1930ES/2030ES/2630ES	
302	3128703	AR	Kingpin Rework Instruction 2646ES/3246ES	
		Ref	<b>TIRE AND WHEEL INSTALLATION</b>	
	0010588	Ref	<b>Tire and Wheel Installation 1930ES USA Built Machines (SN 0200198014 through 0200239381)</b>	
	0010588	Ref	<b>Tire and Wheel Installation 1930ES China Built Machines (SN B200000100 through B200020296)</b>	
	0010588	Ref	<b>Tire and Wheel Installation 2030ES/2630ES USA Built Machines (SN 0200198014 to Present)</b>	
	0010588	Ref	<b>Tire and Wheel Installation 2030ES/2630ES China Built Machines (SN B200000100 to Present)</b>	
	0010588	Ref	<b>Tire and Wheel Installation 2646ES/3246ES USA Built Machines (SN 0200198014 through 0200239381)</b>	
	0010588	Ref	<b>Tire and Wheel Installation 2646ES/3246ES China Built Machines (SN B200000100 through B200020296)</b>	
401		Ref	Tire and Wheel Assembly Options:	
		Ref	<b>Note: Must replace Tire and Wheel Assemblies in pairs per axle.</b>	
401	4520565	NLA	Tire and Wheel Assembly 1930ES (Use p/n 2915012)	
401	1001100840	NLA	Tire and Wheel Assembly 1930ES (Use p/n 2915012)	
401	1001114467	NLA	Tire and Wheel Assembly 1930ES (Use p/n 2915012) Note: When replacing the tire, confirm that the existing wheel bolts are part number 0630580, a M12 x 1.5 x 22 bolt. If the bolt is M12 x 36.5, order kit 2915012.	
401	4520676	NLA	Tire and Wheel Assembly 2030ES/2630ES/2646ES/3246ES (Use p/n 2915013)	
401	1001100894	NLA	Tire and Wheel Assembly 2030ES/2630ES/2646ES/3246ES (Use p/n 2915013)	
401	1001114466	NLA	Tire and Wheel Assembly 2030ES/2630ES/2646ES/3246ES (Use p/n 2915013) Note: When replacing the tire, confirm that the existing wheel bolts are part number 0630580, a M12 x 1.5 x 22 bolt. If the bolt is M12 x 36.5, order kit 2915013.	

# SECTION 1 - FRAME

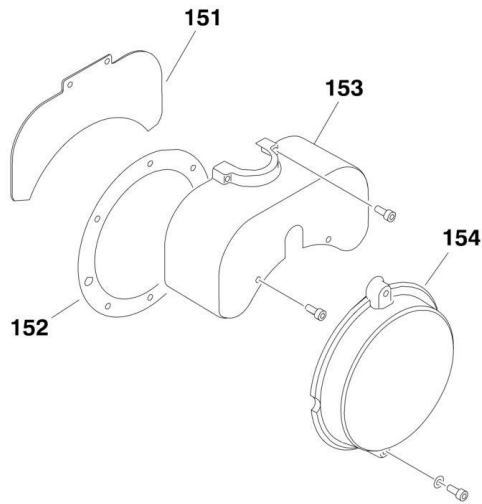
## FIGURE 1-2. WHEEL DRIVE ASSEMBLY



**SECTION 1 - FRAME**



**STYLE "A"**



**STYLE "B"**

# SECTION 1 - FRAME

## FIGURE 1-2. WHEEL DRIVE ASSEMBLY

ITEM	PART NUMBER	QTY	DESCRIPTION	REV
		Ref	<b>WHEEL DRIVE ASSEMBLY (ADVANCED)</b>	
	1001092737	Ref	<b>Wheel Drive Assembly (Advanced) 1930ES</b>	G
	1001092738	Ref	<b>Wheel Drive Assembly (Advanced) 2030ES/2630ES/2646ES/3246ES</b>	I
		Ref	<b>Note: Due to service updates, drive motors may use any of the various parts listed below. Visual identification will be required.</b>	
		Ref	<b>HUB ASSEMBLY</b>	
1	See Note	NSS	Spindle (Note: Not Available for Purchase)	
2	See Note	NSS	Hub (Note: Use Item 206)	
3	See Note	NSS	Ring, Input (Note: Use Item 204)	
4	See Note	NSS	Gear, Input Sun (Note: Use Item 203)	
5	See Note	NSS	Gear, Input Planet (Note: Use Item 203)	
6	See Note	NSS	Pin, Planet Gear (Note: Use Item 203)	
7	See Note	NSS	Carrier (Note: Use Item 203)	
8	See Note	NSS	Gear, Output Sun (Note: Use Item 203)	
9	See Note	NSS	Gear, Output Planet (Note: Use Item 207)	
10	See Note	NSS	Pin, Output Planet (Note: Use Item 207)	
11	See Note	NSS	Cover (Note: Use Item 201)	
12	7024757	1	Bushing Kit, Kingpin (Includes 2 Bushings)	
13	See Note	NSS	Motor, Electric (Note: Use Item 205A, 205B, 205C or 205D)	
14	See Note	NSS	Bearing, Main (Note: Use Item 202, 204, 206 or 207)	
15	See Note	NSS	Bearing, Shaft (Note: Use Item 207)	
16	70001739	1	Seal, Lip	
17	7024786	1	Seal, Lip	
18	See Note	NSS	Ring, Retaining (Note: Use Item 203)	
19	See Note	NSS	Ring, Retaining (Note: Use Item 201)	
20	70000191	1	O-Ring	
21	See Note	NSS	Thrustwasher (Note: Use Item 201)	
23	See Note	NSS	Plate, Thrust (Note: Use Item 203)	
24	See Note	NSS	Ring, Retaining (Note: Use Item 203)	
25	See Note	NSS	Thrustwasher (Note: Use Item 203 or 207)	
26	See Note	NSS	Bearing/Bushing Options (Note: Use Item 203 or 207):	
26A	See Note	NSS	Bearing, Needle (Note: Use Item 203 or 207)	
26B	See Note	NSS	Bushing (Note: Use Item 203 or 207)	
27	See Note	NSS	Ring, Retaining (Note: Use Item 204, 206 or 207)	
28	See Note	NSS	Ring, Retaining (Note: Use Item 207)	
29	See Note	NSS	Plug (Note: Use Item 201)	
32	See Note	NSS	Washer, Tanged (Note: Use Item 207)	
		Ref	<b>BRAKE AND MOTOR COMPONENTS</b>	
103	See Note	NSS	Brush and Terminal Assembly (Note: Use Item 208)	
104	70000790	2	Spring, Brush	
105	70000791	1	Box, Brush	
106	See Note	NSS	Ring, Retaining (Note: Use Item 208)	
107	See Note	NSS	Bearing (Note: Use Item 208)	
108		Ref	Harness, Electrical Cable Options:	
108A	1001099628	1	Harness, Electrical Cable 1930ES (was p/n 7024770)	
108A	1001099676	1	Harness, Electrical Cable 2030ES/2630ES/2646ES/3246ES (was p/n 7024770 & 7024775)	
108B	1001091502	1	Harness, Electrical Cable 1930ES	

## SECTION 1 - FRAME

ITEM	PART NUMBER	QTY	DESCRIPTION	REV
108B	1001091843	NLA	Harness, Electrical Cable 2030ES/2630ES/2646ES/3246ES USA Built Machines (Use p/n 1001134012) <b>(SN 0200198014 through 0200207813)</b>	
108B	1001091843	NLA	Harness, Electrical Cable 2030ES/2630ES/2646ES/3246ES China Built Machines (Use p/n 1001134012) <b>(SN B200000100 through B200000241)</b>	
108B	1001132439	1	Harness, Electrical Cable 2030ES/2630ES USA Built Machines <b>(SN 0200207814 to Present)</b>	
108B	1001132439	1	Harness, Electrical Cable 2646ES/3246ES USA Built Machines <b>(SN 0200207814 through 0200239381)</b>	
108B	1001132439	1	Harness, Electrical Cable 2030ES/2630ES China Built Machines <b>(SN B200000242 to Present)</b>	
108B	1001132439	1	Harness, Electrical Cable 2646ES/3246ES China Built Machines <b>(SN B200000242 through B200020296)</b>	
109	70000792	1	Commutator	
110	See Note	NSS	Disc, Reaction (Note: Use Item 209)	
111	7024785	1	Disc, Friction	
112	See Note	NSS	Brake Assembly (Note: Use Item 209)	
113	See Note	NSS	Flatwasher (Note: Use Item 210A or 210B)	
114	See Note	NSS	Bolt (Note: Use Item 210A or 210B)	
		Ref	<b>Style "A" Brake Cover</b>	
125	See Note	NSS	Plate, Cover (Note: Use Item 211A or 211B)	
126	See Note	NSS	O-Ring (Note: Use Item 210A, 210B, 211A or 211B)	
127	70000383	1	Connector, Strain Relief	
128	See Note	NSS	Cover (Note: Use Item 211A or 211B)	
		Ref	<b>Style "B" Brake Cover</b>	
151	See Note	NSS	Plate, Cover (Note: Use Item 211A or 211B)	
152	70001949	1	Gasket, Cover	
153	See Note	NSS	Cover, Top (Note: Use Item 211A or 211B)	
154	See Note	NSS	Cover, End (Note: Use Item 211A or 211B)	
		Ref	<b>KIT OPTIONS</b>	
201	7024747	1	Cover Kit (Includes Items 11, 19, 20, 21 & 29)	
202	7024748	1	Main Seal Kit (Includes Qty 1 of Items 14, 16 & 20)	
203	7024749	1	Input Carrier Kit (Includes Items 4-8, 18, 20 & 23-26)	
204	7024758	1	Input Ring Kit (Includes Items 3, 20, 27 & Qty 1 of Item 14)	
205		Ref	Motor Kit Options (Includes Items 13, 17, 103-114 & 151-154):	
205		Ref	Motors with Item #108A Style Electrical Cable	
205A	1001100819	1	Motors with Item #108A Style Electrical Cable 1930ES (was p/n 7024774)	
205B	1001100820	1	Motors with Item #108A Style Electrical Cable 2030ES/2630ES/2646ES/3246ES (was p/n 7024777)	
205		Ref	Motors with Item #108B Style Electrical Cable	
205C	70001263	1	Motors with Item #108B Style Electrical Cable 1930ES	
205D	70001345	1	Motors with Item #108B Style Electrical Cable 2030ES/2630ES/2646ES/3246ES	
206	7024756	1	Hub Kit (Includes Items 2, 16, 20, 27 & Qty 1 of Item 14)	
207	7024750	1	Output Planet Kit (Includes Items 9, 10, 15, 20, 25-28, 32 & Qty 1 of Item 14)	
208	7024771	1	Motor Brush and Bearing Kit (Includes Items 103, 106 & 107)	
208	70007781	1	Brush Kit (Includes Brushes Only)	
209	7024772	1	Brake Kit (Includes Items 110, 111 & 112)	
210		Ref	Motor Hardware Kit (Includes Items 113 & 114)	
210A	7024773	1	Motor Hardware Kit 1930ES	
210B	7024776	1	Motor Hardware Kit 2030ES/2630ES/2646ES/3246ES	

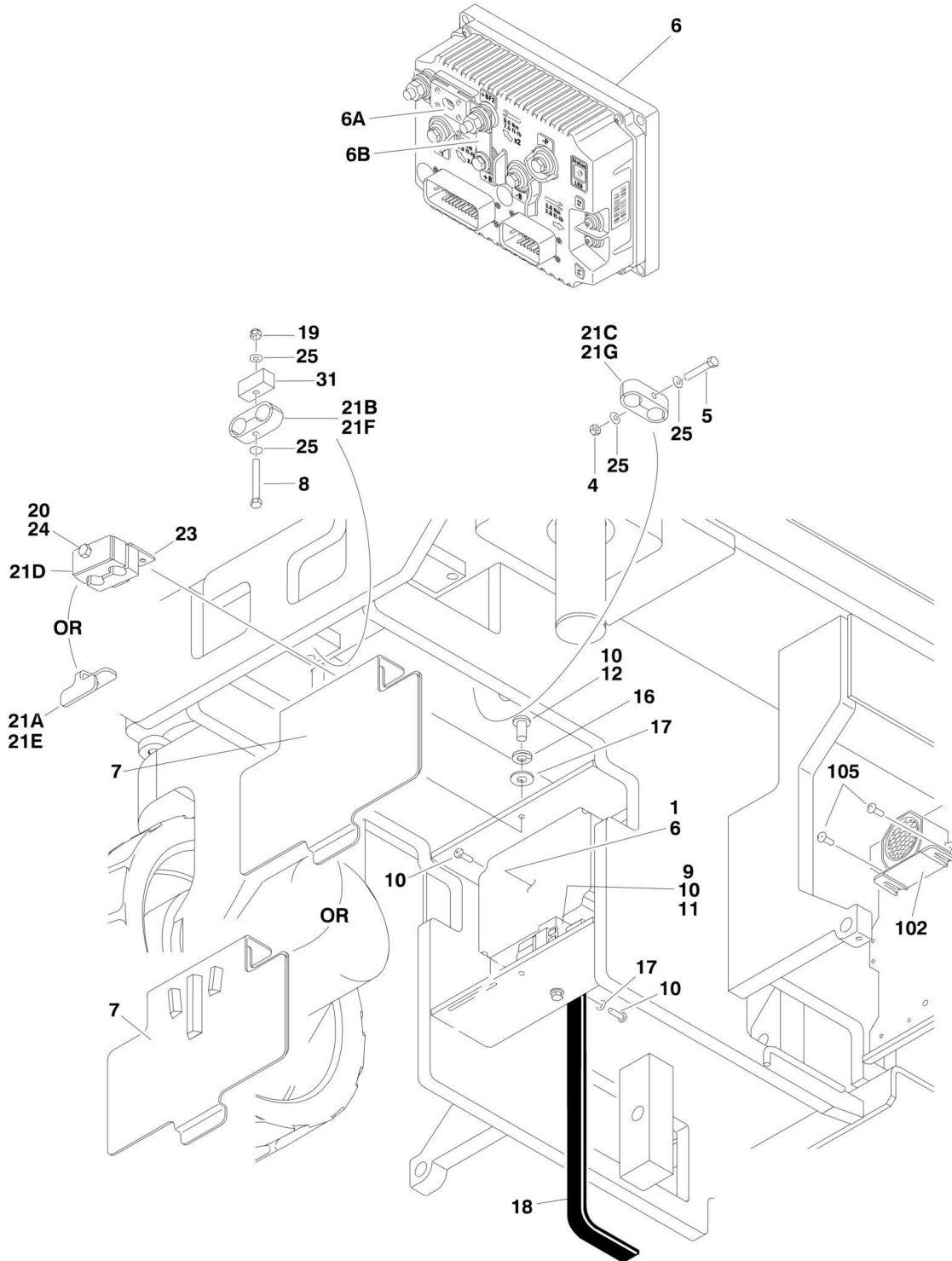
## SECTION 1 - FRAME

ITEM	PART NUMBER	QTY	DESCRIPTION	REV
211		Ref	Brake Cover Kit Options:	
211A	7024787	1	Brake Cover Kit Style "A" (Includes Items 125-128)	
211B	70001265	1	Brake Cover Kit Style "B" (Includes Items 151-154)	



# SECTION 1 - FRAME

## FIGURE 1-3. DRIVE MODULE AND OTHER FRAME MOUNTED COMPONENTS





## SECTION 1 - FRAME

**FIGURE 1-3. DRIVE MODULE AND OTHER FRAME MOUNTED COMPONENTS**

ITEM	PART NUMBER	QTY	DESCRIPTION	REV
		Ref	<b>DRIVE MODULE INSTALLATION</b>	
		Ref	<b>Drive Module Installation 1930ES:</b>	
	1001092739	Ref	<b>USA Built Machines</b>	D
	1001117032	Ref	<b>China Built Machines</b>	B
		Ref	<b>Drive Module Installation 2030ES/2630ES:</b>	
	1001092740	Ref	<b>USA Built Machines</b>	D
	1001114882	Ref	<b>China Built Machines</b>	B
		Ref	<b>Drive Module Installation 2646ES/3246ES:</b>	
	1001092741	Ref	<b>USA Built Machines</b>	D
	1001117033	Ref	<b>China Built Machines</b>	B
1	0100083	AR	Grease, Heat Transfer	
4	3290605	AR	Locknut M6	
5	0700619	AR	Bolt M6 x 55mm	
6	1001092456	1	Module, Drive	
6A	70002683	1	Fuse	
6B	70002682	1	Busbar	
7		Ref	Cover Options:	
7		Ref	Cover 1930ES/2030ES/2630ES	
7	1671132	1	Cover USA Built Machines	
7	1001115170	1	Cover China Built Machines	
7	1671133	1	Cover 2646ES/3246ES	
8	0700624	AR	Bolt M6 x 80mm	
9	4191706	AR	Bolt M6 x 12mm	
10	4191708	AR	Bolt M6 x 20mm	
11	3740150	1	Relay	
12	4191709	AR	Bolt M6 x 25mm	
16	4831700	AR	Lockwasher M6	
17	4751400	AR	Flatwasher 1/4in Wide	
18	4240147	1	Strap, Anti-Static	
19	3290606	AR	Locknut M6	
20	0700819	AR	Bolt M8 x 55mm	
21		Ref	Clamp, Cable Options:	
		Ref	<b>Note: Due to service updates, cable clamps may be any of the various designs listed below. Visual identification will be required.</b>	
21		Ref	All except UL Spec	
21A	3574714	1	Clamp (All Models)	
21B	1001091492	1	Clamp (USA Built Machines 1930ES) <b>(SN 0200198014 through 0200235171)</b>	
21B	1001094301	1	Clamp (USA Built Machines 1930ES) <b>(SN 0200235172 through 0200239381)</b>	
21B	1001091492	1	Clamp (China Built Machines 1930ES) <b>(SN B200000100 through B200017161)</b>	
21B	1001094301	1	Clamp (China Built Machines 1930ES) <b>(SN B200017162 through B200020296)</b>	
21C	1001094301	2	Clamp (2030ES/2630ES/2646ES/3246ES)	
21C		Ref	UL Spec	
21D	1320162	1	Clamp (All Models)	
21E	3574714	1	Clamp (1930ES)	
21F	1001091492	1	Clamp (1930ES)	
21G	1001094301	2	Clamp (2030ES/2630ES/2646ES/3246ES)	

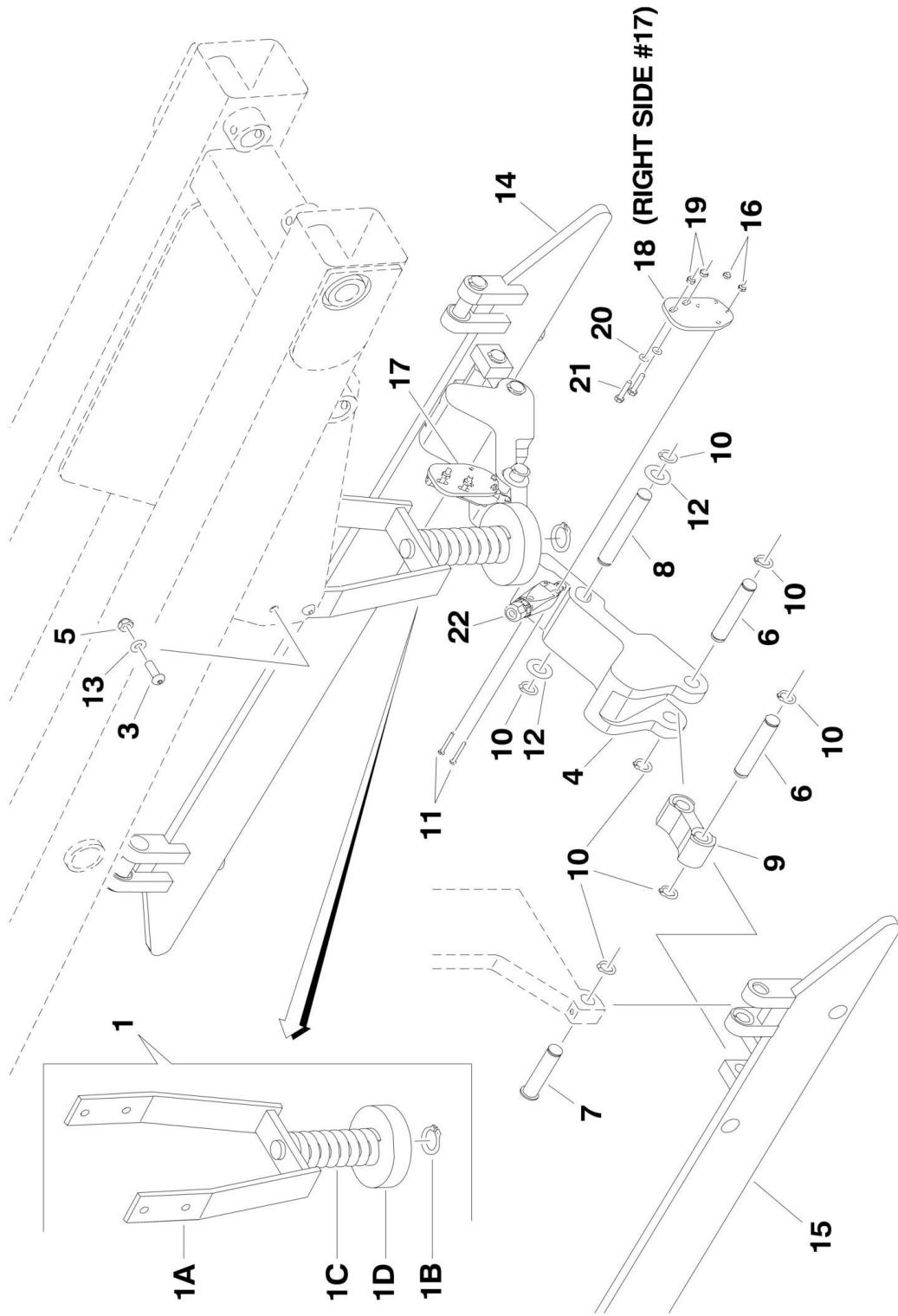
## SECTION 1 - FRAME

ITEM	PART NUMBER	QTY	DESCRIPTION	REV
23	4340751	AR	Mount, Cable Clamp (UL Spec Only)	
24	4811900	AR	Flatwasher M8	
25	4811700	AR	Flatwasher M6	
30	4923602	1	Harness, Field Wire Connection (Not Shown - See ELECTRICAL SECTION for Breakdown)	
31	1001094124	AR	Block, Spacer (1930ES with Service Upgrade Only)	
		Ref	<b>ALARM INSTALLATIONS</b>	
	1001114885	Ref	<b>Alarm Installation - ANSI, ANSI Export and UL Specs (SN 0200198014 through 0200238465, SN B200000100 through B200020296)</b>	B
	1001166823	Ref	<b>Alarm Installation - ANSI, ANSI Export and UL Specs (SN 0200238466 through 0200239381)</b>	C
	1001114886	Ref	<b>Alarm Installation - ANSI Export and Japanese Specs (SN 0200198014 through 0200238465, SN B200000100 through B200020296)</b>	B
	1001114924	Ref	<b>Alarm Installation - Australian Specs without Overload (SN 0200198014 through 0200203603, SN B200000100 through B200002113)</b>	A
	1001114886	Ref	<b>Alarm Installation - Australian Specs without Overload 1930ES/2646ES/3246ES (SN 0200203604 through 0200239381, SN B200002114 through B200020296)</b>	B
	1001114886	Ref	<b>Alarm Installation - Australian Specs without Overload 2030ES/2630ES (SN 0200203604 through 0200238465, SN B200002114 through B200020296)</b>	B
	1001114925	Ref	<b>Alarm Installation - Australian and CE Specs with Overload (SN 0200198014 through 0200238465, SN B200000100 through B200020296)</b>	B
	1001166828	Ref	<b>Alarm Installation - Australian and Japanese Spec (SN 0200238466 through 0200239381)</b>	B
	1001166825	Ref	<b>Alarm Installation - CE Spec (SN 0200238466 through 0200239381)</b>	B
	0272722	Ref	<b>Descent Alarm</b>	A
	0272913	Ref	<b>Motion Alarm</b>	B
	1001183458	Ref	<b>Ambient Adjustable Alarm</b>	A
	1001185053	Ref	<b>White Noise Alarm</b>	A
102	0140043	1	Alarm (Standard)	
102	1001182806	1	Alarm (Ambient Adjustable) (Not Shown)	
102	1001184682	1	Alarm (White Noise) (Not Shown)	
105	4191706	2	Screw M6 x 12mm	
106	1001185500	1	Harness for Ambient Adjustable Alarm and White Noise Alarm (Not Shown)	



# SECTION 1 - FRAME

FIGURE 1-4. POTHOLE PROTECTION INSTALLATION (1930ES/2030ES/2630ES)



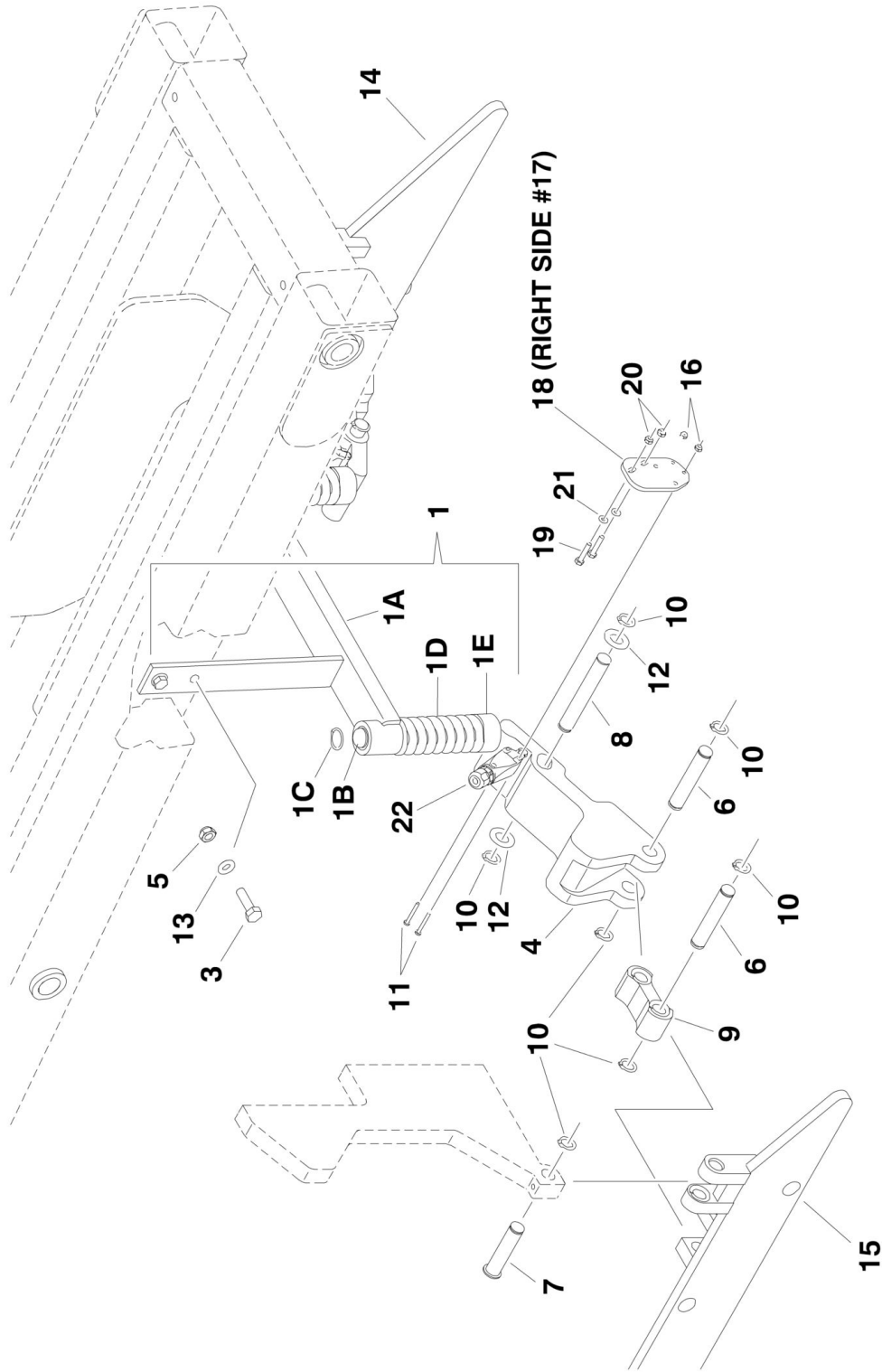
# SECTION 1 - FRAME

**FIGURE 1-4. POTHOLE PROTECTION INSTALLATION (1930ES/2030ES/2630ES)**

ITEM	PART NUMBER	QTY	DESCRIPTION	REV
		Ref	<b>POTHOLE PROTECTION INSTALLATION</b>	
		Ref	<b>Pothole Protection Installation 1930ES</b>	
	1001117265	Ref	<b>All Specs except UL Spec</b>	B
	1001126898	Ref	<b>UL Spec</b>	B
		Ref	<b>Pothole Protection Installation 2030ES/2630ES</b>	
	1001115173	Ref	<b>All Specs except UL Spec</b>	A
	1001126900	Ref	<b>UL Spec</b>	A
1	Purchase Individual Pieces	1	Actuator Assembly (was p/n 0060090)	A
1A	0060091	1	Actuator Weldment	
1B	3760115	1	Ring, Retaining	
1C	4160202	1	Spring	
1D	4220287	1	Pad	
3	3900351	4	Screw, Button Head M10 x 30mm	
4	3010158	2	Link	
5	3291005	4	Locknut M10	
6	3423045	4	Pin	
7	3423189	4	Pin	
8	3423267	2	Pin	
9	3574176	2	Link	
9	0440263	4	Bushing	
10	3760348	16	Ring, Retaining	
11		Ref	Screw Options:	
11	4010415	4	Screw M4 x 35mm	
11	4031512	4	Screw M4 x 40mm	
12	4740086	4	Thrustwasher	
13	4812000	4	Flatwasher M10	
14		Ref	Bar, Pothole Support (Right)	
14	4846775	1	Bar, Pothole Support (Right) 1930ES (Not Shown)	
14	4846816	1	Bar, Pothole Support (Right) 2030ES/2630ES	
14	0440263	4	Bushing	
15		Ref	Bar, Pothole Support (Left)	
15	4846861	1	Bar, Pothole Support (Left) 1930ES (Not Shown)	
15	4846863	1	Bar, Pothole Support (Left) 2030ES/2630ES	
15	0440263	4	Bushing	
16	3290405	4	Locknut M4	
17	1001109232	1	Plate, Attach (Right)	
18	1001109233	1	Plate, Attach (Left)	
19	3290605	4	Locknut M6	
20	4811700	4	Flatwasher M6	
21	0700614	4	Screw M6 x 30mm	
22		Ref	Switch, Limit Options:	
22	1001109088	2	Switch, Limit All Specs except UL Spec	
22	1001126905	2	Switch, Limit UL Spec	

# SECTION 1 - FRAME

FIGURE 1-5. POTHOLE PROTECTION INSTALLATION (2646ES/3246ES)



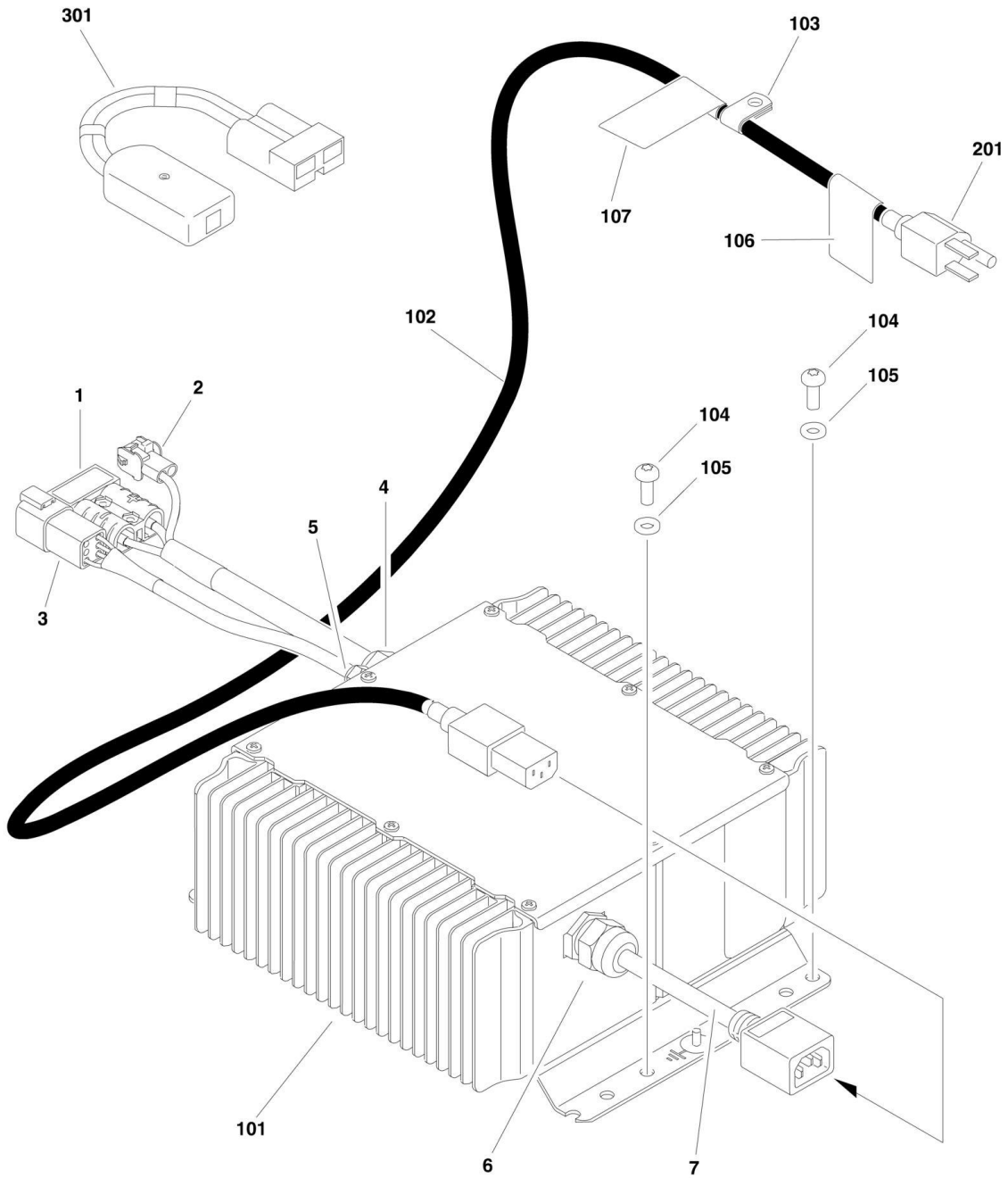
## SECTION 1 - FRAME

**FIGURE 1-5. POTHOLE PROTECTION INSTALLATION (2646ES/3246ES)**

ITEM	PART NUMBER	QTY	DESCRIPTION	REV
		Ref	<b>POTHOLE PROTECTION INSTALLATION</b>	
	1001117266	Ref	<b>All Specs except UL Spec</b>	B
	1001126903	Ref	<b>UL Spec</b>	B
1	Purchase Individual Pieces	1	Actuator Assembly (was p/n 0060092)	B
1A	0060093	1	Actuator	
1B	0962292	4	Bushing	
1B	3423289	2	Pin	
1C	3760115	2	Ring, Retaining	
1D	4160202	2	Spring	
1E	4220293	2	Pad	
3	0701015	4	Screw M10 x 35mm	
4	3010158	2	Link	
5	3291005	4	Locknut M10	
6	3423045	4	Pin	
7	3423189	4	Pin	
8	3423267	2	Pin	
9	3574176	2	Link	
9	0440263	4	Bushing	
10	3760348	16	Ring, Retaining	
11		Ref	Screw Options:	
11	4010415	4	Screw M4 x 35mm	
11	4031512	4	Screw M4 x 40mm	
12	4740086	4	Thrustwasher	
13	4812000	4	Flatwasher M10	
14	4846811	1	Bar, Pothole Support (Right)	
14	0440263	4	Bushing	
15	4846862	1	Bar, Pothole Support (Left)	
15	0440263	4	Bushing	
16	3290405	4	Locknut M4	
17	1001109232	1	Plate, Attach (Right)	
18	1001109233	1	Plate, Attach (Left)	
19	0700614	4	Screw M6 x 30mm	
20	3290605	4	Locknut M6	
21	4811700	4	Flatwasher M6	
22		Ref	Switch, Limit Options:	
22	1001109088	2	Switch, Limit All Specs except UL Spec	
22	1001126905	2	Switch, Limit UL Spec	

# SECTION 1 - FRAME

## FIGURE 1-6. BATTERY CHARGER ASSEMBLY AND INSTALLATION (DELTA-Q CHARGER)





## SECTION 1 - FRAME

**FIGURE 1-6. BATTERY CHARGER ASSEMBLY AND INSTALLATION (DELTA-Q CHARGER)**

ITEM	PART NUMBER	QTY	DESCRIPTION	REV
	1001112111	Ref	<b>BATTERY CHARGER ASSEMBLY</b>	F
1	Not Available	1	Harness with Plug	
1	4460648	1	Plug, Anderson Battery Cable	
2	Not Available	1	Harness with Connector	
2	4460424	1	Connector, Female - 2 Position	
2	4460227	2	Pin, Male	
3	Not Available	1	Harness with Connector	
3	4460899	1	Connector, Female - 6 Position	
3	4460464	6	Pin, Male	
4	Not Available	1	Connector, Strain Relief	
5	Not Available	1	Connector, Strain Relief	
6	Not Available	1	Connector, Strain Relief	
7	Not Available	1	Harness with Connector	
		Ref	<b>BATTERY CHARGER INSTALLATION</b>	
		Ref	<b>Battery Charger Installation 1930ES:</b>	
	0275079	Ref	<b>AC Cable Has Factory Supplied Plug</b>	F
	0275088	Ref	<b>AC Cable Has Locally Supplied Plug</b>	F
	1001113574	Ref	<b>AC Cable Has Locally Supplied Plug (Australian Spec Only)</b>	D
	1001172007	Ref	<b>AC Cable Has Chinese Plug (Chinese Spec)</b>	C
		Ref	<b>Battery Charger Installation 2030ES/2630ES/2630ES/2646ES/3246ES:</b>	
	0272874	Ref	<b>AC Cable Has Factory Supplied Plug</b>	L
	0272875	Ref	<b>AC Cable Has Locally Supplied Plug</b>	L
	1001113576	Ref	<b>AC Cable Has Locally Supplied Plug (Australian Spec Only)</b>	D
	1001172008	Ref	<b>AC Cable Has Chinese Plug (Chinese Spec)</b>	C
101	1001112111	1	Battery Charger Assembly (See Items 1-7 for Breakdown)	
102		Ref	Cable, AC Options:	
102	1060688	1	Cable, AC Factory Supplied Plug (Black)	
102	1001103257	1	Cable, AC Factory Supplied Plug (Orange)	
102	1060689	1	Cable, AC Locally Supplied Plug (Black)	
102	1001103258	1	Cable, AC Locally Supplied Plug (Orange)	
102	1001172010	1	Cable, AC Chinese Plug (Chinese Spec)	
103		Ref	Clamp Options:	
103	1320136	1	Clamp Insulated Clamp	
103	1321293	1	Clamp Non-Insulated Clamp	
104		Ref	Screw M6 Options:	
104	4191706	2	Screw 12mm Length	
104	4191707	2	Screw 16mm Length	
105	4811700	2	Flatwasher M6	
106	1001102258	1	Decal - AC Label (Australian Spec Only)	
107	1001102489	1	Decal - Charger Label (Australian Spec Only)	
201		Ref	<b>PLUG OPTIONS:</b>	
201	Not Available	Ref	<b>ANSI Spec Plug (Use Item 102 p/n 1060688)</b>	
201	Not Available	Ref	<b>Australian and Japanese Specs (Purchase Locally)</b>	
201		Ref	<b>CE Spec Options:</b>	
201	0275666	Ref	<b>IEC Yellow Receptacle Installation</b>	A
201	4461196	Ref	Receptacle, IEC Yellow	
201	0275667	Ref	<b>IEC Blue Receptacle Installation</b>	A
201	4461199	Ref	Receptacle, IEC Blue	
201	0275665	Ref	<b>AFSINT 107 Keyed Ground Receptacle Installation</b>	A

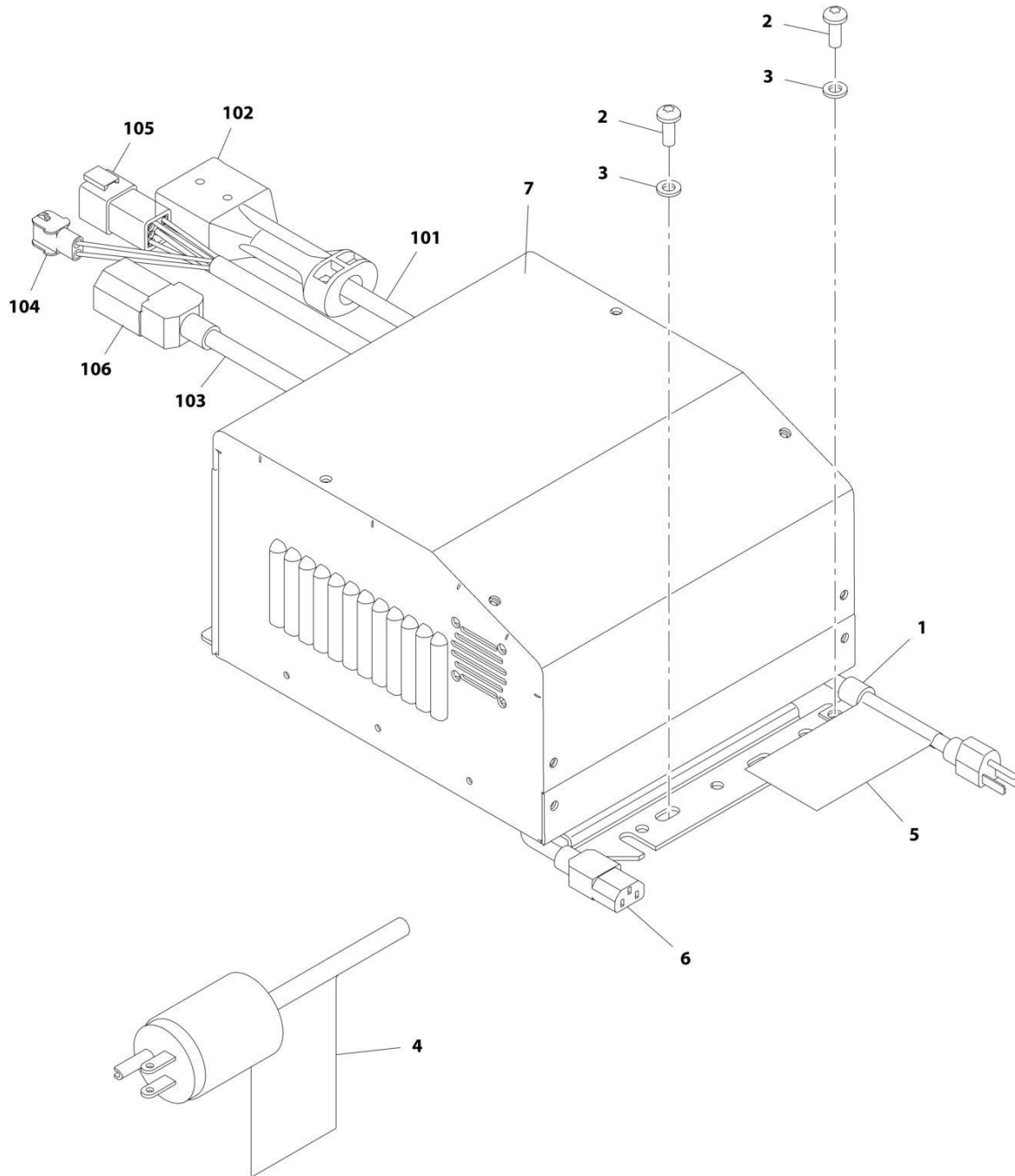
## SECTION 1 - FRAME

ITEM	PART NUMBER	QTY	DESCRIPTION	REV
201	4461249	Ref	Receptacle, AFSINT 107 Keyed Ground	
201	0275663	Ref	<b>CEE7 Post Ground Receptacle Installation</b>	A
201	4461202	Ref	Receptacle, CEE7 Post Ground	
201	0275664	Ref	<b>CEE7 Side Ground Receptacle Installation</b>	A
201	4461205	Ref	Receptacle, CEE7 Side Ground	
301	1600466	NLA	<b>BATTERY CHARGER REPROGRAM CONTROLLER KIT (Use p/n 2915230)</b>	



# SECTION 1 - FRAME

FIGURE 1-7. BATTERY CHARGER ASSEMBLY AND INSTALLATION (EAGLE PERFORMANCE)



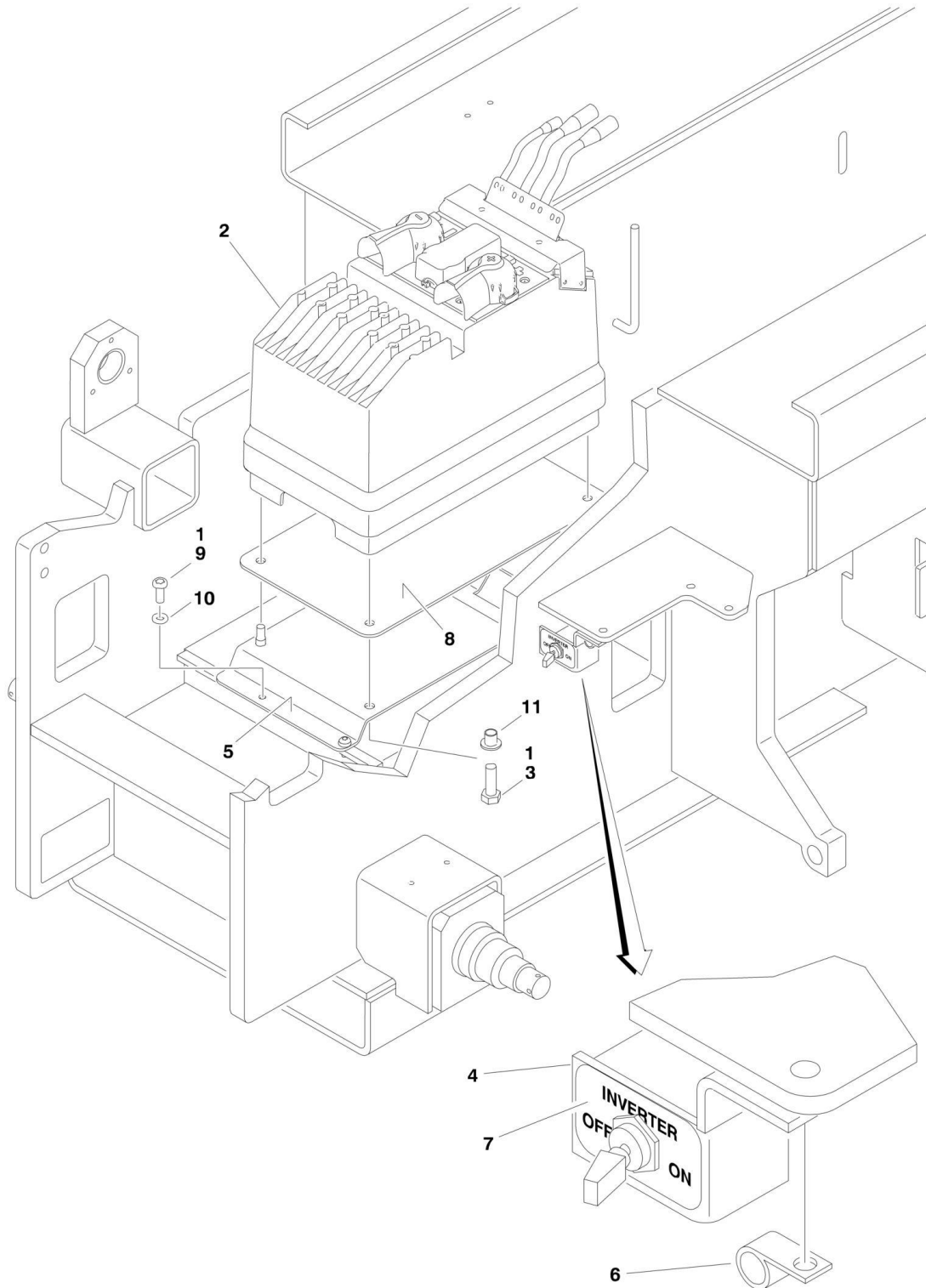
## SECTION 1 - FRAME

**FIGURE 1-7. BATTERY CHARGER ASSEMBLY AND INSTALLATION (EAGLE PERFORMANCE)**

ITEM	PART NUMBER	QTY	DESCRIPTION	REV
		Ref	<b>BATTERY CHARGER ASSEMBLY AND INSTALLATION (EAGLE PERFORMANCE)</b>	
		Ref	<b>Battery Charger Installation</b>	
	1001179427	Ref	<b>Battery Charger Installation with Factory Plug (1930ES)</b>	A
	1001183013	Ref	<b>Battery Charger Installation with Locally Supplied Plug (1930ES)</b>	A
	1001179428	Ref	<b>Battery Charger Installation with Factory Plug (2030ES/2630ES/2646ES/3246ES)</b>	A
	1001183012	Ref	<b>Battery Charger Installation with Locally Supplied Plug (2030ES/2630ES/2646ES/3246ES)</b>	A
1	1321293	1	Clamp (Charger with Factory Supplied Plug)	
1	1320136	1	Clamp (Charger with Locally Supplied Plug)	
2	4191707	2	Screw M6 x 16	
2	4191706	2	Screw M6 x 12	
3	4811700	2	Washer M6	
4	1001102258	1	Decal - AC to Platform	
5	1001102489	1	Decal - Charger Plug	
6	1001103257	1	Cable, Charger (AC Input)	
7	1001177842	1	Battery Charger Assembly (See Items 101-106 for Breakdown)	
	1001177842	Ref	<b>BATTERY CHARGER ASSEMBLY - EAGLE PERFORMANCE</b>	A
101	Not Available	1	Harness with Plug	
102	Not Available	1	Plug, Battery Cable	
103	Not Available	1	Harness	
104	4460424	1	Connector, Female - 2 Position	
104	4460227	2	Pin, Male	
105	4460899	1	Connector, Female - 6 Position	
105	4460464	6	Pin, Male	
106	Not Available	1	Harness with Connector	

# SECTION 1 - FRAME

FIGURE 1-8. BATTERY CHARGER WITH INVERTER ASSEMBLY AND INSTALLATION (OPTIONAL ON ANSI AND CSA SPEC MACHINES)



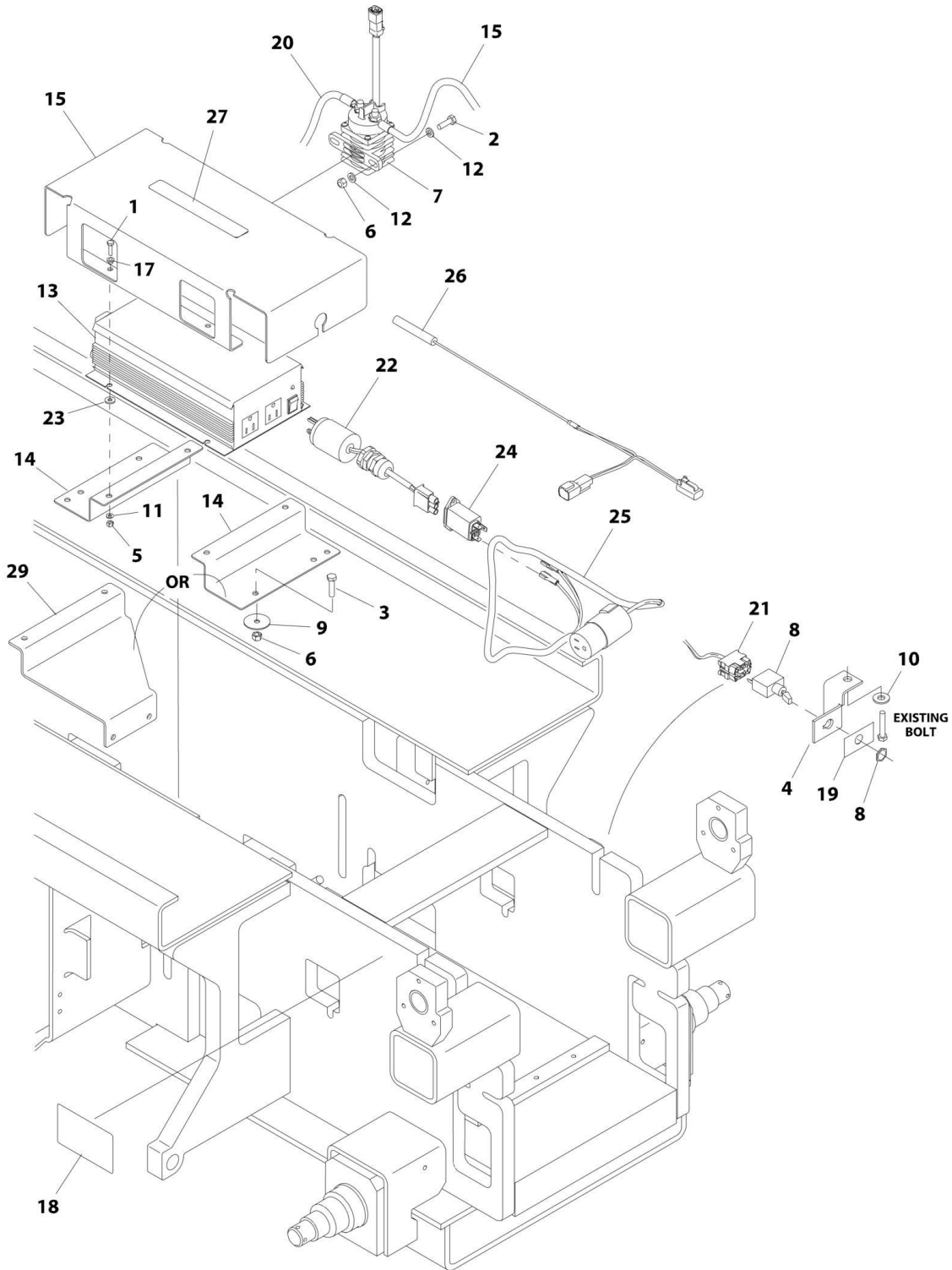
## SECTION 1 - FRAME

**FIGURE 1-8. BATTERY CHARGER WITH INVERTER ASSEMBLY AND INSTALLATION (OPTIONAL ON ANSI AND CSA SPEC MACHINES)**

ITEM	PART NUMBER	QTY	DESCRIPTION	REV
		Ref	<b>BATTERY CHARGER ASSEMBLY</b>	
	0275103	Ref	<b>Battery Charger Assembly 1930ES</b>	G
	0275104	Ref	<b>Battery Charger Assembly 2030ES/2630ES</b>	F
	0275105	Ref	<b>Battery Charger Assembly 2646ES/3246ES</b>	F
1	0100011	AR	Compound, Locking	
2	1001093839	1	Charger/Inverter Assembly	
3		Ref	Hardware Options:	
3	0760812	4	Bolt M8 x 25mm	
3	0760814	4	Bolt M8 x 30mm	
3	3290805	4	Nut M8	
4	0902780	1	Bracket, Mounting (Remote Switch)	
5		Ref	Bracket, Mounting (Charger/Inverter)	
5	0903444	1	Bracket, Mounting (Charger/Inverter) 1930ES	
5	0903319	1	Bracket, Mounting (Charger/Inverter) 2030ES/2630ES/2646ES/3246ES	
6	1320043	1	Clamp	
7	1705052	1	Decal - On/Off	
8	2820239	1	Insulation, Charger Mounting	
9		Ref	Screw M6 Options:	
9	4191706	AR	Screw 12mm Length	
9	4191707	AR	Screw 16mm Length	
10	4811700	2	Flatwasher M6	
11	4740562	4	Washer, Special	
18	1706749	1	Decal - Inverter (Not Shown - Located on Frame Near Inverter)	
19		Ref	Decal - Hazardous Voltage Options (Not Shown - Located on Platform Near AC Box):	
19	1706765	1	Decal English Language	
19	1001136847	1	Decal Spanish Language	

# SECTION 1 - FRAME

## FIGURE 1-9. INVERTER INSTALLATION (WITHOUT BATTERY CHARGER) (OPTIONAL ON ANSI SPEC MACHINES)





## SECTION 1 - FRAME

**FIGURE 1-9. INVERTER INSTALLATION (WITHOUT BATTERY CHARGER) (OPTIONAL ON ANSI SPEC MACHINES)**

ITEM	PART NUMBER	QTY	DESCRIPTION	REV
		Ref	<b>BATTERY CHARGER ASSEMBLY</b>	
	1001154515	Ref	<b>Battery Charger Assembly 1930ES</b>	A
	1001154516	Ref	<b>Battery Charger Assembly 2030ES</b>	A
	1001154518	Ref	<b>Battery Charger Assembly 2646ES/3246ES</b>	A
1	0760408	4	Bolt M4 x 16mm	
2	0760610	2	Bolt M6 x 20mm	
3		Ref	Bolt Options:	
3	0760612	4	Bolt M6 x 25mm	
3	0700510	4	Bolt M5 x 20mm	
4	0902780	1	Bracket	
5		Ref	Locknut M4	
5	3290405	4	Locknut M4	
5	3290505	4	Locknut M5	
6		Ref	Locknut Options:	
6	3290605	AR	Locknut M6	
6	3290505	AR	Locknut M5	
7	3740150	1	Relay	
8	4360336	1	Switch, Toggle	
9		Ref	Washer Options:	
9	4740362	4	Washer, Fender 1930ES/2030ES	
9	4811600	8	Washer 5mm 2646ES/3246ES	
10	4751500	1	Flatwasher	
11	4811400	4	Flatwasher 4mm	
12	4811700	4	Flatwasher 6mm	
13	1001136757	1	Inverter Assembly	
14		Ref	Bracket Options:	
14	1001138008	2	Bracket 1930ES	
14	1001154752	2	Bracket 2030ES	
14	1001138008	1	Bracket 2646ES/3246ES	
15	1001138967	1	Cable (Battery Positive to Relay)	
16	1001139009	1	Shield	
17	1001142174	4	Washer, Special	
18	1001143009	1	Decal - Inverter	
19	1001143010	1	Decal - ON/OFF Inverter	
20	1001145762	1	Cable (Inverter to Positive Side of Relay)	
21	1001145763	1	Harness, Inverter	
21	4460418	1	Receptacle, Female - 3 Position	
21	4460419	2	Terminal	
21	4460464	2	Pin, Male	
21	4460465	1	Socket, Female	
22	1001145881	1	Harness, AC Extension	
22	1001157513	1	Connector - 3 Position	
22	1001157790	3	Socket, Female	
22	4460138	1	Plug, Male	
22	4460968	1	Strain Relief	
23	4740120	4	Washer	
24	1001157547	1	AC Filter	
25	1001157645	1	Harness, AC Extension	
25	4460779	1	Receptacle, Female	

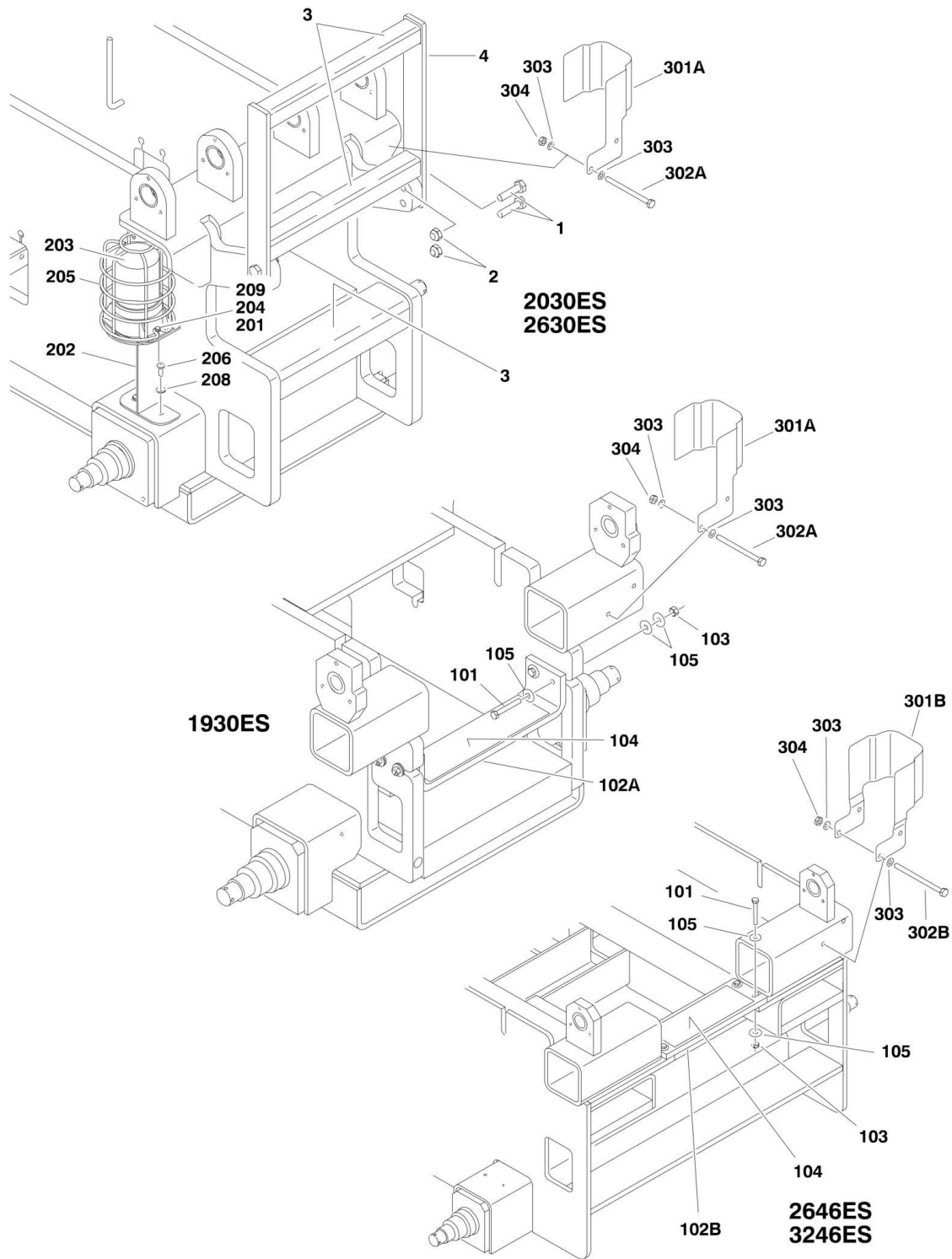
## SECTION 1 - FRAME

ITEM	PART NUMBER	QTY	DESCRIPTION	REV
26	1001158712	1	Harness, Inverter Switch/Relay	
26	4460891	1	Plug, Male - 2 Position	
26	4460465	2	Socket, Female	
26	4460897	1	Receptacle, Female - 2 Position	
26	4460464	2	Pin, Male	
26	1001116956	1	Connector	
26	4460464	1	Pin, Male	
27	1704905	1	Decal - No Pressure Wash	
28	4240017	12	Tie, Strap	
29	1001155292	1	Bracket 2646ES/3246ES	



# SECTION 1 - FRAME

## FIGURE 1-10. LADDERS, BEACON LIGHT AND ROTARY SENSOR COVER INSTALLATION



## SECTION 1 - FRAME

**FIGURE 1-10. LADDERS, BEACON LIGHT AND ROTARY SENSOR COVER INSTALLATION**

ITEM	PART NUMBER	QTY	DESCRIPTION	REV
		Ref	<b>LADDER INSTALLATIONS</b>	
	0272887	Ref	<b>Ladder Installations 2030ES</b>	B
	0272888	Ref	<b>Ladder Installations 2630ES</b>	B
1	0701016	4	Bolt M10 x 40mm	
2	3291005	4	Locknut M10	
3	4420070	3	Tape, Anti-Skid	
4		Ref	Ladder Options:	
4	4846812	1	Ladder 2030ES	
4	4846813	1	Ladder 2630ES	
		Ref	<b>LADDER INSTALLATIONS</b>	
	0275120	Ref	<b>Ladder Installations 1930ES</b>	C
	0275212	Ref	<b>Ladder Installations 2646ES/3246ES</b>	C
101		Ref	Bolt M6 Options:	
101	0700615	4	35mm Length	
101	0700617	4	45mm Length	
102		Ref	Ladder Options:	
102A	2930005	1	Ladder 1930ES	
102B	3576349	1	Ladder 2646ES/3246ES	
103		Ref	Locknut Options:	
103	3290605	4	Locknut 1930ES	
103	3290607	4	Locknut 2646ES/3246ES	
104	4420080	1	Tape, Anti-Skid	
105	4751400	AR	Flatwasher 1/4in Wide	
		Ref	<b>BEACON LIGHT INSTALLATIONS</b>	
		Ref	<b>Note: See SPECIAL OPTIONS SECTION for Machines with 2 Beacon Lights</b>	
	0272309	Ref	<b>Beacon Light Installations 1930ES (Not Shown)</b>	E
	0274012	Ref	<b>Beacon Light Installations 2030ES/2630ES</b>	B
	0272980	Ref	<b>Beacon Light Installations 2646ES/3246ES</b>	E
201	0760410	2	Bolt M4 x 20mm	
202		Ref	Bracket Options:	
202	0902905	1	Bracket 1930ES	
202	0903086	1	Bracket 2030ES/2630ES	
202	0902906	1	Bracket 2646ES/3246ES	
203	2920161	1	Light, Beacon	
203	7016319	1	Bulb, Replacement	
203	7016372	1	Len, Replacement	
204	3290405	2	Locknut M4	
205	4060865	1	Guard	
206	4191707	2	Screw M6 x 16mm	
208	4811700	AR	Flatwasher M6	
209	4750800	2	Flatwasher #8 (Wide)	
		Ref	<b>ROTARY ANGLE SENSOR COVER KIT</b>	
		Ref	<b>Note: This kit is an optional aftermarket Add-on for USA Built Machines SN 0200198014 through SN 0200239381 (1930ES/2646ES/3246ES) SN 0200198014 to Present (2030ES/2630ES) Only. Not Available on previous SNs due to changes in frame design. Kit also includes instructions. Parts listed below are for service.</b>	
	1001105108	Ref	<b>Rotary Angle Sensor Cover Kit 1930ES/2030ES/2630ES</b>	
	1001105109	Ref	<b>Rotary Angle Sensor Cover Kit 2630ES/3246ES</b>	

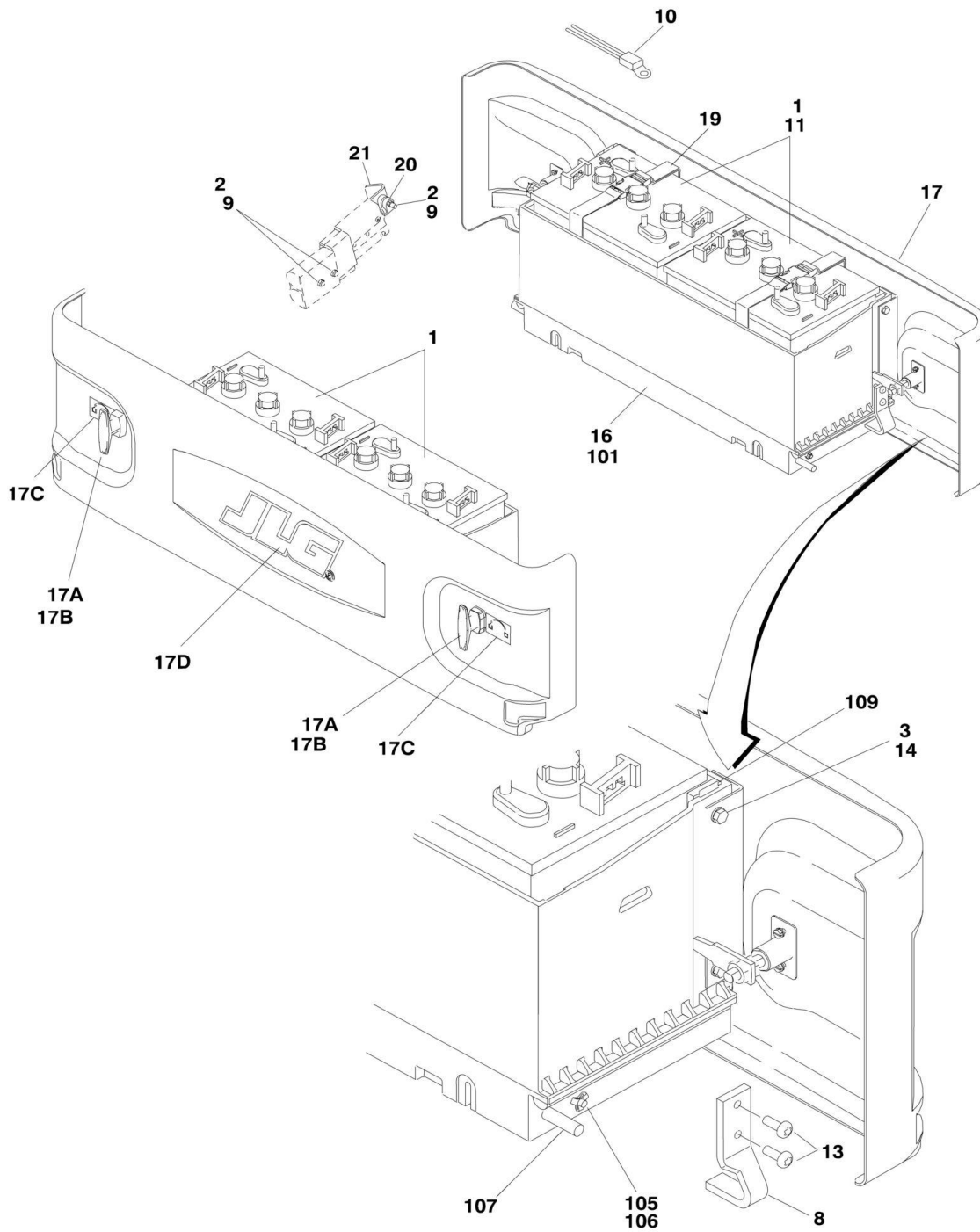
## SECTION 1 - FRAME

ITEM	PART NUMBER	QTY	DESCRIPTION	REV
301		Ref	Cover Options:	
301A	1001103029	1	Cover for 1930ES/2030ES/2630ES	
301B	1001103030	1	Cover for 2646ES/3246ES	
302		Ref	Bolt M6 Options:	
302A	0760610	2	Bolt 20mm Length for 1930ES/2030ES/2630ES	
302B	0760612	2	Bolt 25mm Length for 2646ES/3246ES	
303	4811700	4	Flatwasher 6mm	
304	3290605	2	Locknut M6	

**SECTION 2 - GROUND COMPONENTS**

# SECTION 2 - GROUND COMPONENTS

## FIGURE 2-1. BATTERIES AND COVERS INSTALLATION





## SECTION 2 - GROUND COMPONENTS

### FIGURE 2-1. BATTERIES AND COVERS INSTALLATION

ITEM	PART NUMBER	QTY	DESCRIPTION	REV
		Ref	<b>BATTERIES AND COVERS INSTALLATION</b>	
		Ref	<b>GC Type with 225 AH Rating Batteries:</b>	
	0275020	Ref	<b>All Models (Standard Covers)</b>	E
	0275022	Ref	<b>All Models (Locking Covers)</b>	E
	0275480	Ref	<b>GC Type with 225 AH Rating Batteries 1930ES (UL Spec with Locking Covers)</b>	F
	0275021	Ref	<b>GC Type with 225 AH Rating Batteries 2030ES/2630ES/2646ES/3246ES (UL Spec with Locking Covers)</b>	E
		Ref	<b>EV Type with 244 AH Rating Batteries:</b>	
	0275042	Ref	<b>EV Type with 244 AH Rating Batteries 2030ES/2630ES/2646ES/3246ES with Standard Covers</b>	D
	0275044	Ref	<b>EV Type with 244 AH Rating Batteries 2030ES/2630ES/2646ES/3246ES with Locking Covers</b>	D
	0275043	Ref	<b>EV Type with 244 AH Rating Batteries 2030ES/2630ES/2646ES/3246ES (UL Spec with Locking Covers)</b>	D
		Ref	<b>AGM and EVG Type with 225 AH Rating Batteries:</b>	
	0275401	Ref	<b>All Models (Standard Covers)</b>	D
	1001132233	Ref	<b>All Models (Locking Covers)</b>	B
	1001159192	Ref	<b>All Models (Locking Covers) (UL Spec)</b>	B
1		Ref	Battery Options:	
1	0400216	4	Battery Type EV-145-WNL (Not Available on 1930ES)	
1	1001112112	4	Battery Type EVGC6A-A	
1	0400215	4	Battery Type GC-110-WNL	
2		Ref	Bolt Options:	
2	0700615	AR	Bolt M6 x 35mm	
2	0700616	AR	Bolt M6 x 40mm	
2	4031713	AR	Bolt, Sockethead M6 x 40mm	
3	0760610	8	Bolt M6 x 20mm	
8		Ref	Plate, Slide Stop Options:	
8	3574981	2	Plate, Slide Stop Left Side	
8	3574984	2	Plate, Slide Stop Right Side	
9	3290605	AR	Locknut M6	
10	1001112113	NLA	Temperature Sensor Kit (Includes Sensor, Wire Nut and Instructions) (Use p/n 1001127269)	
11	0100051	AR	Grease, Terminal	
13	4191707	8	Screw M6 x 16mm	
14	4811700	8	Flatwasher M6	
16		Ref	Tray Assembly Options (See Items 101-106 for Breakdown):	
16	0273698	2	Tray Non-UL	
16	0861678	2	Tray UL Spec	
17		Ref	Cover Options:	
17	1671202	2	Cover with Decals and Standard Latches	H
17	1671204	2	Cover with Decals and Lockable Latches	I
17	1671204	2	Cover, UL Spec with Decals and Lockable Latches	I
17	1671203	1	Cover, Battery Less Decals and Latches (Note: Must Purchase Decals and Latches Separately)	E
17A		Ref	Latch Options (2 Per Cover):	
17A	2940174	4	Standard	
17A	2940175	4	Locking	
17A	7027863	4	Key	

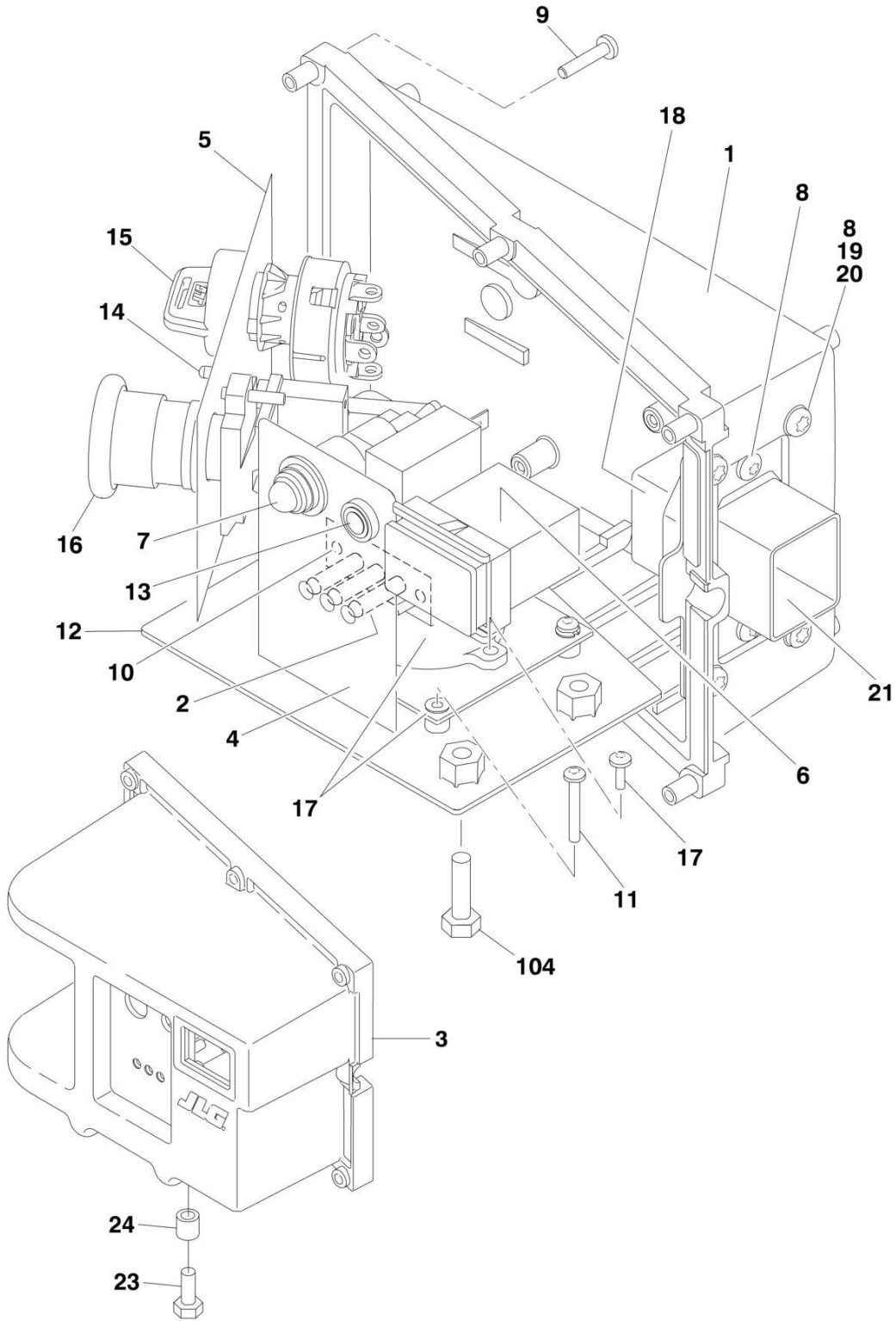
## SECTION 2 - GROUND COMPONENTS

ITEM	PART NUMBER	QTY	DESCRIPTION	REV
17B	4071102	NLA	Flatwasher #8 (2 Per Cover) (Use p/n 4750800 Shim)	
17C	1706350	2	Decal - Cover	
17D	1705754	1	Decal - JLG	
19	4240172	4	Strap, Battery (UL Spec)	
20	1321130	1	Clamp (UL Spec) (1930ES Only)	
21	Not Available	1	Handle, Disconnect (UL Spec) (1930ES Only)	
21	1001110826	1	Bracket, Disconnect Mounting (UL Spec) (1930ES Only)	
		Ref	<b>TRAY ASSEMBLY OPTIONS:</b>	
	0273698	Ref	<b>Non-UL Spec</b>	H
	0861678	Ref	<b>UL Spec</b>	D
101	Purchase Item 16	1	Tray, Battery	
105	3820032	AR	Rivet	
106	4811600	AR	Washer	
107		Ref	Stop, Battery Box Options:	
		Ref	<b>NOTE: Requires (2) 3820032 Rivet and (1) 4811600 Washer</b>	
107	4220252	1	Stop, Battery Box LH	
107	4220253	1	Stop, Battery Box RH	
109	3577076	2	Bar	



## SECTION 2 - GROUND COMPONENTS

FIGURE 2-2. GROUND CONTROL ASSEMBLY AND INSTALLATION



## SECTION 2 - GROUND COMPONENTS

**FIGURE 2-2. GROUND CONTROL ASSEMBLY AND INSTALLATION**

ITEM	PART NUMBER	QTY	DESCRIPTION	REV
		Ref	<b>GROUND CONTROL ASSEMBLY</b>	
	100114929	Ref	<b>Ground Control Box Assembly - ANSI, ANSI Export and UL Specs (SN 0200198014 through 0200238465, SN B200000100 through B200020296)</b>	B
	1001166194	Ref	<b>Ground Control Box Assembly - ANSI, ANSI Export and UL Specs (SN 0200238466 through 0200239381)</b>	F
	1001114932	Ref	<b>Ground Control Box Assembly - ANSI Export and Japanese Specs (SN 0200198014 through 0200238465, SN B200000100 through B200020296)</b>	B
	1001114931	Ref	<b>Ground Control Box Assembly - Australian Specs without Overload (SN 0200198014 through 0200238465, SN B200000100 through B200002113)</b>	B
	1001114932	Ref	<b>Ground Control Box Assembly - Australian Specs without Overload 1930ES/2646ES/3246ES (SN 0200203604 through 0200239381, SN B200002114 through B200020296)</b>	B
	1001114932	Ref	<b>Ground Control Box Assembly - Australian Specs without Overload 2030ES/2630ES (SN 0200203604 through 0200238465, SN B200002114 through B200020296)</b>	B
	1001114930	Ref	<b>Ground Control Box Assembly - Australian and CE Specs with Overload (SN 0200198014 through 0200238465, SN B200000100 through B200020296)</b>	B
	1001166197	Ref	<b>Ground Control Box Assembly - Australian and Japanese Spec (SN 0200238466 through 0200239381)</b>	D
	1001166195	Ref	<b>Ground Control Box Assembly - CE Spec (SN 0200238466 through 0200239381)</b>	E
1	0380025	1	Box, Ground Control	
2	0610161	1	Board, PC (Battery Charger LED)	
3	1671105	1	Cover, Front	
4		Ref	Decal - LED Options:	
4	1705696	1	Decal - LED ANSI, ANSI Export and UL Specs	
4	1705697	1	Decal - LED ANSI Export, CE and Japanese Specs	
4	1705696	1	Decal - LED Australian Specs without Overload (USA Built Machines) <b>(SN 0200198014 through 0200203603)</b>	
4	1705696	1	Decal - LED Australian Specs without Overload (China Built Machines) <b>(SN B200000100 through B200002113)</b>	
4	1705697	1	Decal - LED Australian Specs without Overload (USA Built Machines) 1930ES/2646ES/3246ES <b>(SN 0200203604 through 0200239381)</b>	
4	1705697	1	Decal - LED Australian Specs without Overload (USA Built Machines) 2030ES/2630ES <b>(SN 0200203604 to Present)</b>	
4	1705697	1	Decal - LED Australian Specs without Overload (China Built Machines) 1930ES/2646ES/3246ES <b>(SN B200002114 through B200020296)</b>	
4	1705697	1	Decal - LED Australian Specs without Overload (China Built Machines) 2030ES/2630ES <b>(SN B200002114 to Present)</b>	
4	1705697	1	Decal - LED Australian Spec with Overload	
5	1705698	1	Decal - Function	
6	2420172	1	Hourmeter	
7		Ref	Component Options:	
7	3520193	1	Plug	
7	2920026	1	Lamp	
7	2920094	AR	Bulb (Optional)	
8	3900336	6	Screw, Torx #10-32NF x 1/2in	
9	3900338	6	Screw, Torx M4 x 20mm	
10	3900339	2	Screw, Plastite #6 x 1/2in	

## SECTION 2 - GROUND COMPONENTS

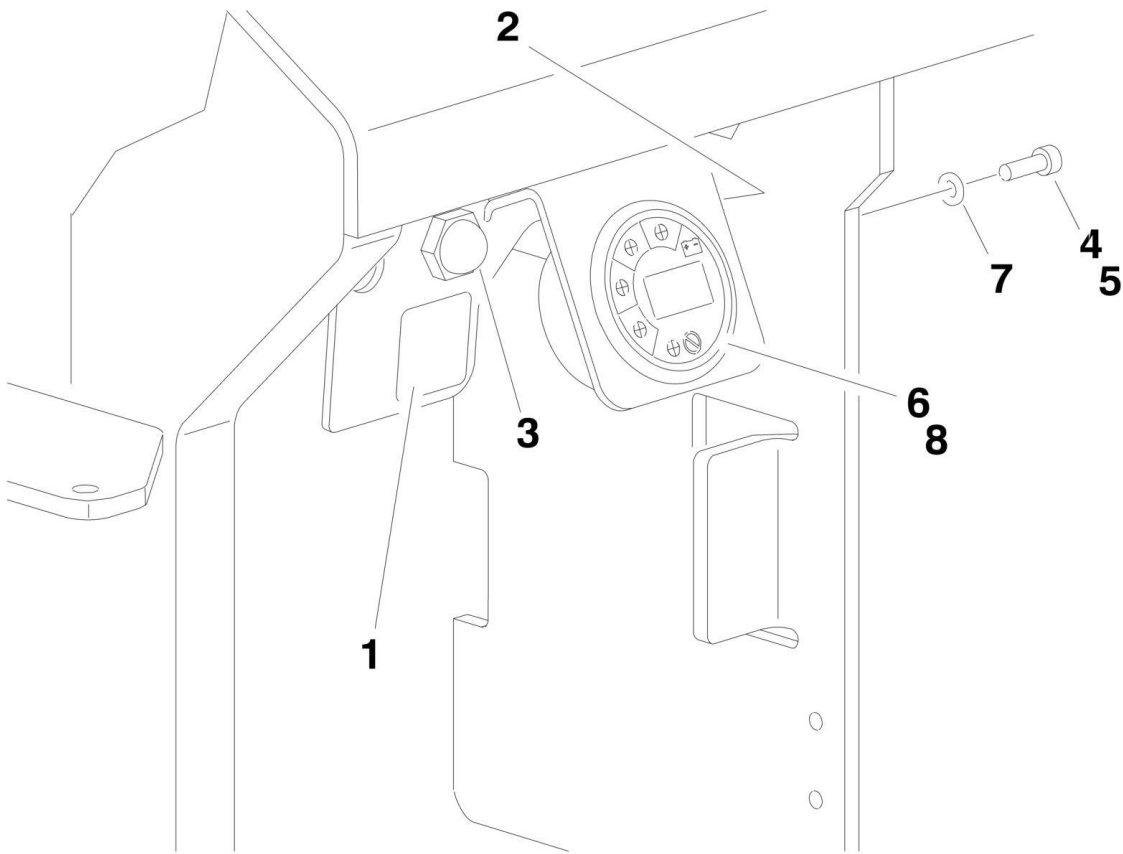
ITEM	PART NUMBER	QTY	DESCRIPTION	REV
11	3900356	4	Screw, Torx M3.5 x 16mm	
11	1001180090	4	Screw, Torx M3.5 x 20mm	
12	4340739	1	Plate, Mounting (SN 0200198014 through 0200238465)	
12	1001165315	1	Plate, Mounting (SN 0200238466 through 0200239381)	
12	4340739	1	Plate, Mounting (SN B200000100 through B200020296)	
13	4360069	1	Breaker, Circuit - 10 Amp	
14	4360328	1	Switch, Toggle	
15		Ref	Keyswitch Options:	
15	4360469	1	Keyswitch ANSI, ANSI Export, Japanese and UL Specs	
15	4360470	1	Keyswitch Australian Specs without Overload (USA Built Machines) (SN 0200198014 through 0200203603)	
15	4360470	1	Keyswitch Australian Specs without Overload (China Built Machines) (SN B200000100 through B200002113)	
15	4360469	1	Keyswitch Australian Specs without Overload (USA Built Machines) 1930ES/2646ES/3246ES (SN 0200203604 through 0200239381)	
15	4360469	1	Keyswitch Australian Specs without Overload (USA Built Machines) 2030ES/2630ES (SN 0200203604 to Present)	
15	4360469	1	Keyswitch Australian Specs without Overload (China Built Machines) 1930ES/2646ES/3246ES (SN B200002114 through B200020296)	
15	4360469	1	Keyswitch Australian Specs without Overload (China Built Machines) 2030ES/2630ES (SN B200002114 to Present)	
15	4360470	1	Keyswitch CE Spec	
15	2860030	1	Keyswitch Key, Replacement (Fits All Specs)	
16	4360475	1	Switch, Emergency Stop	
16	7020175	1	Cap	
16	7020176	1	Block, Contact	
17	1001114933	1	Module, Tilt (SN 0200198014 through 0200238465)	
17	1001166255	1	Module, Tilt (SN 0200238466 through 0200239381)	
17	1001114933	1	Module, Tilt (SN B200000100 through B200020296)	
18	1001114937	1	Mount, Harness Bulkhead (Ground Control)	
19	3321005	4	Locknut #10-32NF	
20	4751000	4	Flatwasher #10 Wide	
21	1001114935	1	Harness, Control Box (See ELECTRICAL SECTION for Breakdown) (SN 0200198014 through 0200238465)	
21	1001167256	1	Harness Control Box (See ELECTRICAL SECTION for Breakdown) (SN 0200238466 through 0200239381)	
21	1001114935	1	Harness Control Box (See ELECTRICAL SECTION for Breakdown) (SN B200000100 through B200020296)	
23	1001165284	1	Fastener	
24	1001165286	1	Spacer	
		Ref	<b>GROUND CONTROL BOX INSTALLATION</b>	
	1001114885	Ref	Ground Control Box Installation - ANSI, ANSI Export and UL Specs (SN 0200198014 through 0200238465, SN B200000100 through B200020296)	B
	1001166823	Ref	Ground Control Box Installation - ANSI, ANSI Export and UL Specs (SN 0200238466 through 0200239381)	C
	1001114886	Ref	Ground Control Box Installation - ANSI Export and Japanese Specs (SN 0200198014 through 0200238465, SN B200000100 through B200020296)	B
	1001114924	Ref	Ground Control Box Installation - Australian Specs without Overload (SN 0200198014 through 0200203604, SN B200000100 through B200002113)	A
	1001114886	Ref	Ground Control Box Installation - Australian Specs without	B

## SECTION 2 - GROUND COMPONENTS

ITEM	PART NUMBER	QTY	DESCRIPTION	REV
104	1001114886	Ref	Overload 1930ES/2646ES/3246ES (SN 0200203604 through 0200239381, SN B200002114 through B200020296) Ground Control Box Installation - Australian Specs without Overload 2030ES/2630ES (SN 0200203604 through 0200238465, SN B200002114 through B200020296)	B
	1001114925	Ref	Ground Control Box Installation - Australian and CE Specs with Overload (SN 0200198014 through 0200238465, SN B200000100 through B200020296)	B
	1001166828	Ref	Ground Control Box Installation - Australian and Japanese Spec (SN 0200238466 through 0200239381)	B
	1001166825	Ref	Ground Control Box Installation - CE Spec (SN 0200238466 through 0200239381)	B
	0700615	3	Bolt M6 x 35	
	0272878	Ref	<b>ANTI-VANDALISM PACKAGE INSTALLATION (NOT SHOWN)</b>	E
	1671124	1	Cover, Lockable Ground Control Box	

## SECTION 2 - GROUND COMPONENTS

FIGURE 2-3. BRAKE DISCONNECT/RELEASE AND MDI (MULTIFUNCTION DIGITAL INDICATOR) GAUGE INSTALLATIONS





## SECTION 2 - GROUND COMPONENTS

**FIGURE 2-3. BRAKE DISCONNECT/RELEASE AND MDI (MULTIFUNCTION DIGITAL INDICATOR) GAUGE INSTALLATIONS**

ITEM	PART NUMBER	QTY	DESCRIPTION	REV
	0275530	Ref	<b>MDI (MULTIFUNCTION DIGITAL INDICATOR) GAUGE AND BRAKE RELEASE INSTALLATION</b>	D
1	1706679	1	Decal - Brake Release	
2	1001094203	1	Bracket	
3	4360387	1	Switch, Push Button	
4	4031607	2	Capscrew M5 x 16mm	
5	0100011	AR	Compound, Locking	
6	0100048	AR	Grease, Dielectric	
7	4811600	2	Flatwasher M5	
8	1001092454	1	Gauge, MDI (Multifunction Digital Indicator)	
9	1001093556	1	MDI Harness (Not Shown - See ELECTRICAL SECTION for Breakdown)	

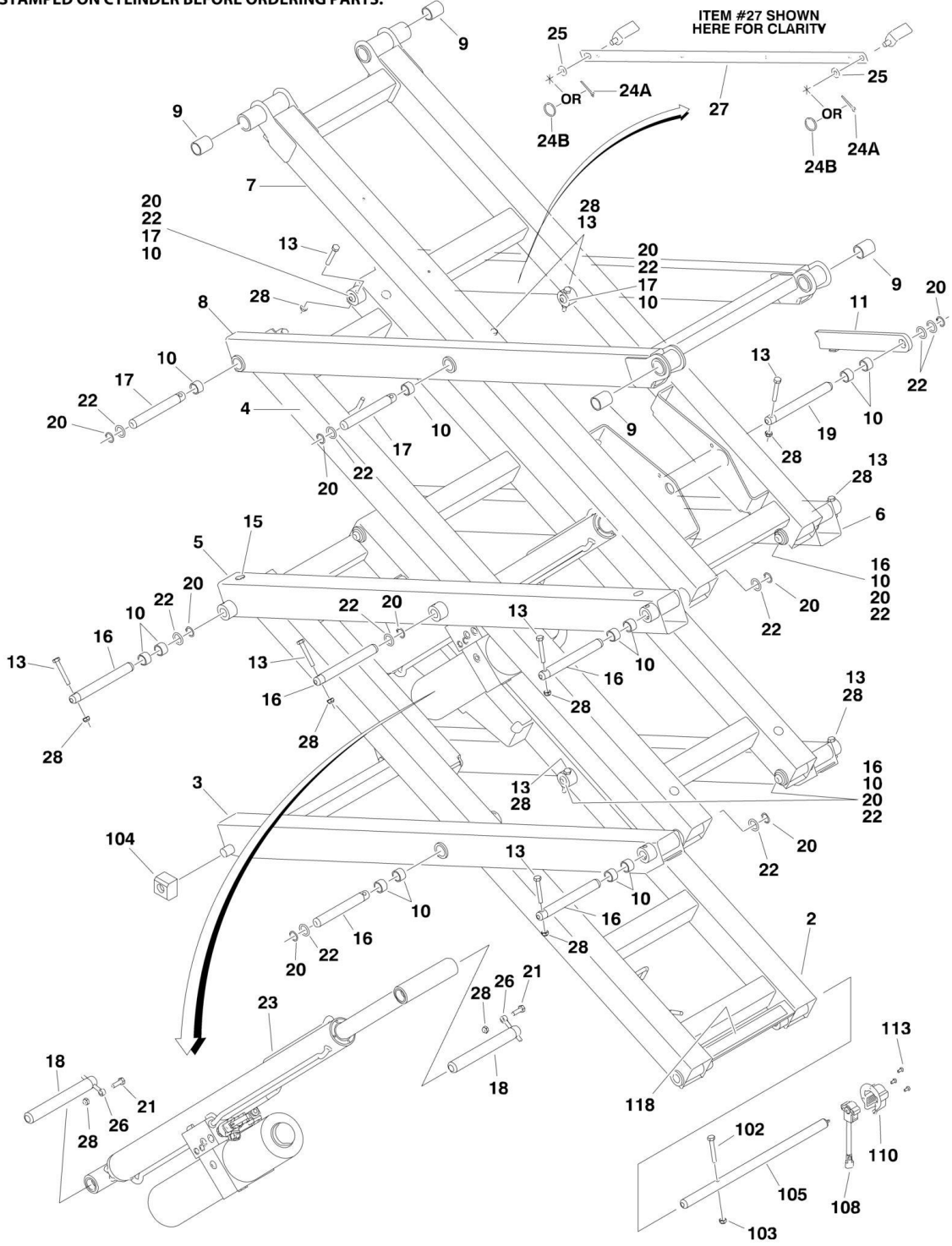


**SECTION 3 - SCISSOR ARMS**

# SECTION 3 - SCISSOR ARMS

## FIGURE 3-1. SCISSOR ARMS INSTALLATION - 1930ES

NOTE: IDENTIFY THE PART NUMBER  
STAMPED ON CYLINDER BEFORE ORDERING PARTS.



## SECTION 3 - SCISSOR ARMS

**FIGURE 3-1. SCISSOR ARMS INSTALLATION - 1930ES**

ITEM	PART NUMBER	QTY	DESCRIPTION	REV
		Ref	<b>SCISSOR ARMS ASSEMBLY - 1930ES</b>	
		Ref	<b>Machines with Standard Hydraulic Oil:</b>	
	0274841	Ref	<b>Scissors Arms Assembly with Lift Cylinder Stamped 1684484</b>	O
	1001131019	Ref	<b>Scissors Arms Assembly with Lift Cylinder Stamped 1001129288</b>	D
	1001157315	Ref	<b>Scissors Arms Assembly with Lift Cylinder Stamped 1001155840</b>	A
		Ref	<b>Machines with Biodegradeable Hydraulic Oil:</b>	
	0200838	Ref	<b>Scissors Arms Assembly with Lift Cylinder Stamped 1684526</b>	K
	1001131027	Ref	<b>Scissors Arms Assembly with Lift Cylinder Stamped 1001131033</b>	D
	1001157334	Ref	<b>Scissors Arms Assembly with Lift Cylinder Stamped 1001157329</b>	A
2	0200825	1	Arm - Lower Inboard	
3	0200810	1	Arm - Lower Outboard	
4	0200824	1	Arm - Mid Inboard	
5	0200823	1	Arm - Mid Outboard (Left Side)	
6	0200822	1	Arm - Mid Outboard (Right Side)	
7	0200821	1	Arm - Upper Inboard	
8	0200815	1	Arm - Upper Outboard	
9	0440266	4	Bearing	
10	0440264	28	Bearing	
11	3574159	1	Prop, Safety	
13	0701022	14	Bolt M10 x 70mm	
15	3340962	16	Pad	
16	3423031	9	Pin	
17	3423032	4	Pin	
18	3423038	2	Pin	
19	3423042	1	Pin	
20	3760115	14	Ring, Retaining	
21	0761014	2	Bolt M10 x 30mm	
22	4740531	15	Washer, Special	
23		Ref	Lift Cylinder Assembly Options (See CYLINDER SECTION for Breakdown):	
23		Ref	<b>Machines with Standard Hydraulic Oil:</b>	
23	1684484	1	Lift Cylinder Assembly Stamped 1684484	
23	1001129288	1	Lift Cylinder Assembly Stamped 1001129288	
23	1001155840	1	Lift Cylinder Assembly Stamped 1001155840	
23		Ref	<b>Machines with Biodegradeable Hydraulic Oil:</b>	
23	1684526	1	Lift Cylinder Assembly Stamped 1684526	
23	1001131033	1	Lift Cylinder Assembly Stamped 1001131033	
23	1001157329	1	Lift Cylinder Assembly Stamped 1001157329	
24		Ref	<b>Hardware Options:</b>	
24A	3450303	2	Pin, Cotter 3/3in x 3/4in	
24B	3760170	2	Ring, Split	
25	4812000	2	Flatwasher M10	
26	3841143	2	Keeper, Pin	
27	3576093	1	Bar, Cable Carrier	
28	3291005	NLA	Locknut M10 (Use p/n 3291007)	

## SECTION 3 - SCISSOR ARMS

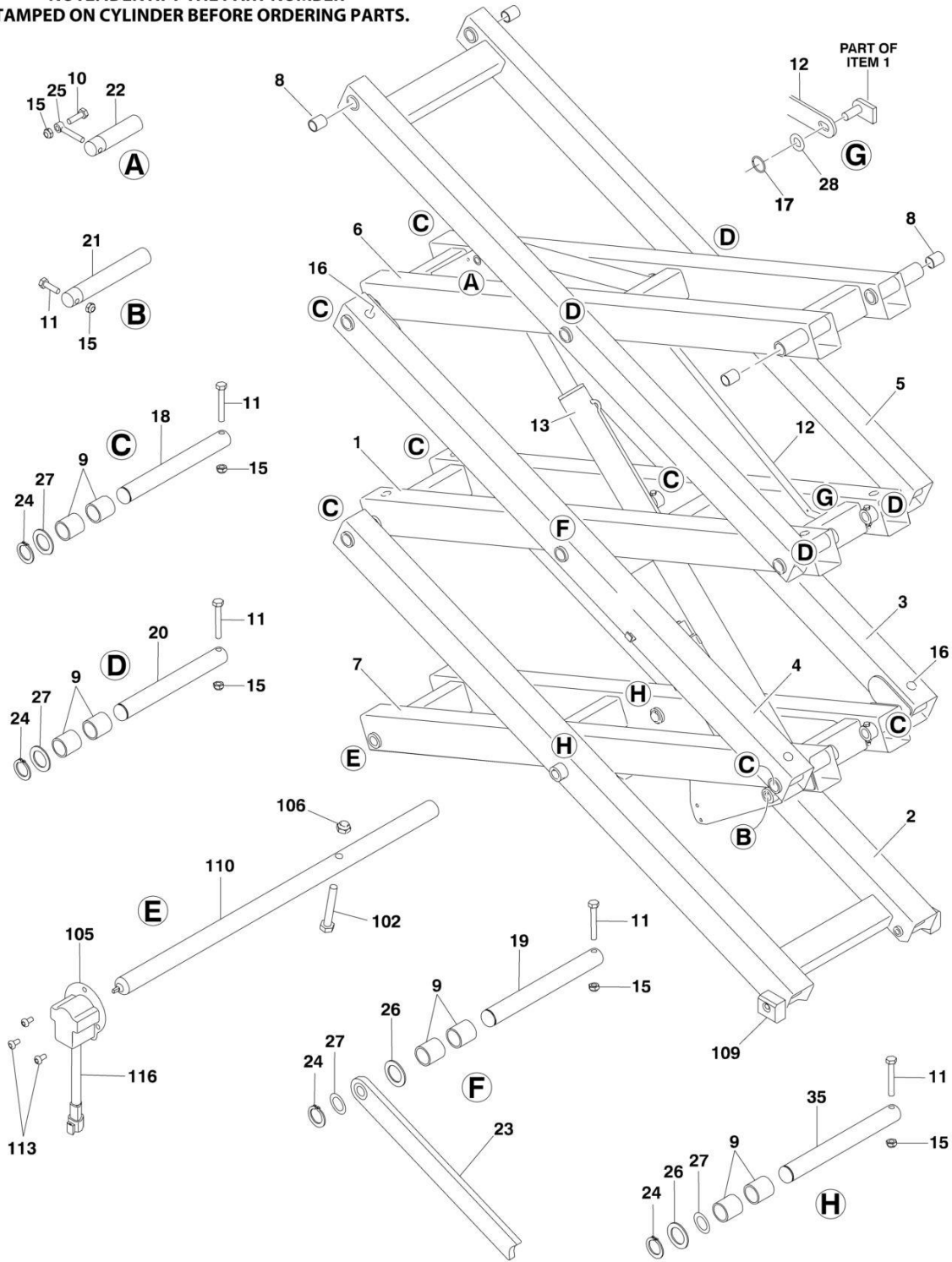
ITEM	PART NUMBER	QTY	DESCRIPTION	REV
	2902455	1	Arms Kit - 1930ES (Includes Items 2-11)	N
		Ref	<b>SCISSOR ARMS INSTALLATIONS - 1930ES</b>	
		Ref	<b>Machines with Standard Hydraulic Oil:</b>	
	0274874	Ref	<b>Scissors Arms Installation with Lift Cylinder Stamped 1684484</b>	I
	1001131004	Ref	<b>Scissors Arms Installation with Lift Cylinder Stamped 1001129288</b>	D
	1001157321	Ref	<b>Scissors Arms Installation with Lift Cylinder Stamped 1001155840</b>	A
		Ref	<b>Machines with Biodegradeable Hydraulic Oil:</b>	
	0275692	Ref	<b>Scissor Arms Installation with Lift Cylinder Stamped 1684526</b>	G
	1001131009	Ref	<b>Scissor Arms Installation with Lift Cylinder Stamped 1001131033</b>	C
	1001157339	Ref	<b>Scissors Arms Installation with Lift Cylinder Stamped 1001157329</b>	A
102	0701022	1	Bolt M10 x 70mm	
103	3291005	1	Locknut M10	
104	3340964	2	Pad, Slide	
105	3423239	1	Pin, Sensor	
108	1001092354	1	Switch, Rotary Angle Sensor	
110	3200454	1	Mount, Switch	
113	4191706	3	Screw M6 x 12mm	
115	1061036	1	Cable, Manual Descent (Not Shown)	
115	7020218	1	T-Handle (With 1/4in-20 Threads)	
115	70001878	1	T-Handle (With 5mm Threads)	
116	3321402	1	Jam Nut (Not Shown)	
117	4160078	1	Spring, Compression (Not Shown)	
118	4420070	1	Tape, Anti-Skid	



# SECTION 3 - SCISSOR ARMS

## FIGURE 3-2. SCISSOR ARMS INSTALLATION - 2030ES

NOTE: IDENTIFY THE PART NUMBER  
STAMPED ON CYLINDER BEFORE ORDERING PARTS.





## SECTION 3 - SCISSOR ARMS

**FIGURE 3-2. SCISSOR ARMS INSTALLATION - 2030ES**

ITEM	PART NUMBER	QTY	DESCRIPTION	REV
		Ref	<b>SCISSOR ARMS ASSEMBLY - 2030ES</b>	
		Ref	<b>Machines with Standard Hydraulic Oil:</b>	
	0275018	Ref	<b>Scissor Arms Assembly with Lift Cylinder Stamped 1684487</b>	O
	1001131020	Ref	<b>Scissor Arms Assembly with Lift Cylinder Stamped 1001129289</b>	D
	1001157316	Ref	<b>Scissor Arms Assembly with Lift Cylinder Stamped 1001155841</b>	A
		Ref	<b>Machines with Biodegradeable Hydraulic Oil:</b>	
	0200839	Ref	<b>Scissor Arms Assembly with Lift Cylinder Stamped 1684527</b>	M
	1001131028	Ref	<b>Scissor Arms Assembly with Lift Cylinder Stamped 1001131034</b>	D
	1001157335	Ref	<b>Scissor Arms Assembly with Lift Cylinder Stamped 1001157330</b>	A
1	0200799	1	Arm - Mid Inboard	
2	0200802	1	Arm - Lower Outboard	
3	0200803	1	Arm - Mid Outboard (Left Side)	
4	0200804	1	Arm - Mid Outboard (Right Side)	
5	0200807	1	Arm - Upper Outboard	
6	0200816	1	Arm - Upper Inboard	
7	0200834	1	Arm - Lower Inboard	
8	0440266	4	Bearing	
9	0440267	28	Bearing	
10	0701015	1	Bolt M10 x 35mm	
11	0701022	15	Bolt M10 x 70mm	
12	1180382	1	Carrier, Cable	
13		Ref	Lift Cylinder Assembly Options (See CYLINDER SECTION for Breakdown):	
13		Ref	<b>Machines with Standard Hydraulic Oil</b>	
13	1684487	1	Lift Cylinder Assembly Stamped 1684487	
13	1001129289	1	Lift Cylinder Assembly Stamped 1001129289	
13	1001155841	1	Lift Cylinder Assembly Stamped 1001155841	
13		Ref	<b>Machines with Biodegradeable Hydraulic Oil</b>	
13	1684527	1	Lift Cylinder Assembly Stamped 1684527	
13	1001131034	1	Lift Cylinder Assembly Stamped 1001131034	
13	1001157330	1	Lift Cylinder Assembly Stamped 1001157330	
15	3291007	16	Locknut M10	
16	3340962	16	Pad, Arm	
17	3760170	2	Ring, Split	
18	3422997	7	Pin	
19	3423014	1	Pin	
20	3423036	4	Pin	
21	3423038	1	Pin	
22	3423067	1	Pin	
23	3574161	1	Bar, Prop Attach	
24	3760387	14	Ring, Retaining	
25	3841143	1	Keeper, Pin	
26	4071094	AR	Shim, Spacer	
27	4740438	14	Washer, Special	
28	4812000	2	Flatwasher M10	
35	3423014	2	Pin	
	2902499	1	Scissor Arm Kit - 2030ES (Includes Items 2-9, 12 & 23)	L

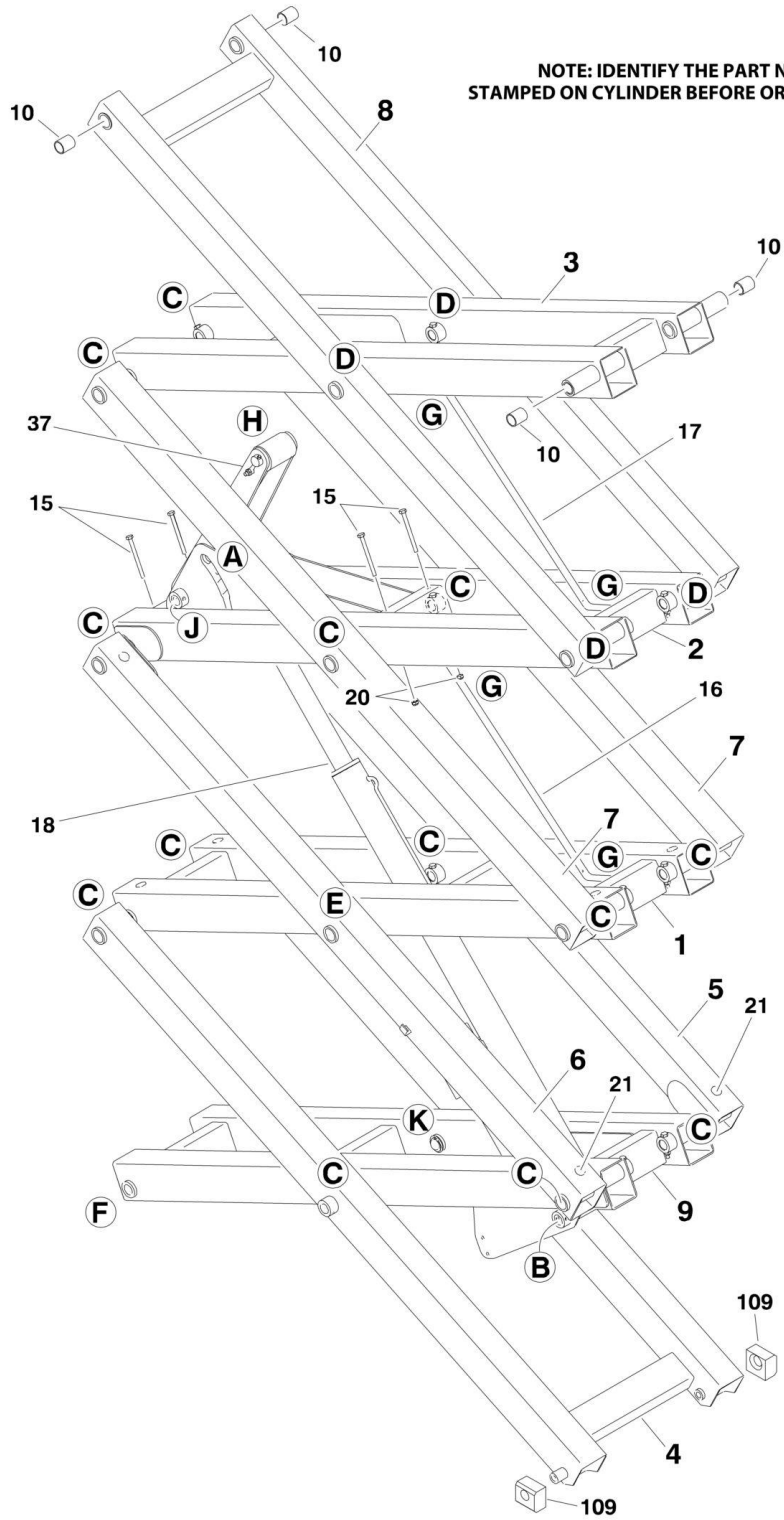
## SECTION 3 - SCISSOR ARMS

ITEM	PART NUMBER	QTY	DESCRIPTION	REV
		Ref	<b>SCISSOR ARMS INSTALLATIONS - 2030ES</b>	
		Ref	<b>Machines with Standard Hydraulic Oil:</b>	
	0275016	Ref	<b>Scissor Arms Installation with Lift Cylinder Stamped 1684487</b>	I
	1001131005	Ref	<b>Scissor Arms Installation with Lift Cylinder Stamped 1001129289</b>	D
	1001157322	Ref	<b>Scissor Arms Installation with Lift Cylinder Stamped 1001155841</b>	A
		Ref	<b>Machines with Biodegradeable Hydraulic Oil:</b>	
	0275693	Ref	<b>Scissor Arms Installation with Lift Cylinder Stamped 1684527</b>	G
	1001131010	Ref	<b>Scissor Arms Installation with Lift Cylinder Stamped 1001131034</b>	C
	1001157340	Ref	<b>Scissor Arms Installation with Lift Cylinder Stamped 1001157330</b>	A
102	0701022	1	Bolt M10 x 70mm	
103	1061034	1	Cable, Manual Descent (Not Shown):	
103	7020218	1	T-Handle (With 1/4in-20 Threads)	
103	70001878	1	T-Handle (With 5mm Threads)	
105	3200454	1	Mount, Switch	
106	3291005	1	Locknut M10	
108	3321402	1	Nut, Jam 1/4in-28NF (Not Shown)	
109	3340957	2	Pad, Slide	
110	3423259	1	Pin, Sensor	
112	4160078	1	Spring, Compression (Not Shown)	
113	4191706	3	Screw M6 x 12mm	
116	1001092354	1	Switch, Rotary Angle Sensor	



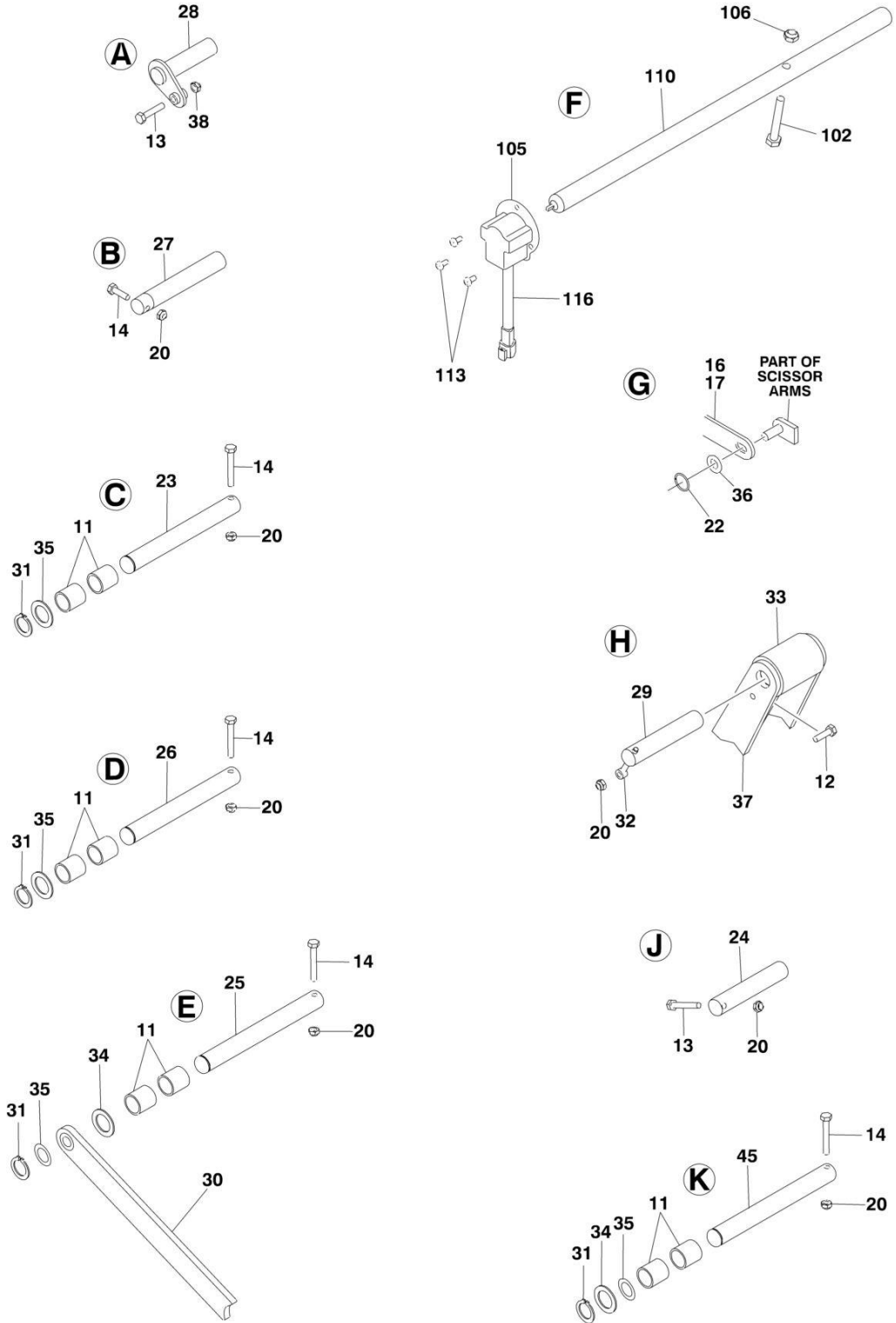
# SECTION 3 - SCISSOR ARMS

## FIGURE 3-3. SCISSOR ARMS INSTALLATION - 2630ES



NOTE: IDENTIFY THE PART NUMBER  
STAMPED ON CYLINDER BEFORE ORDERING PARTS.

# SECTION 3 - SCISSOR ARMS



# SECTION 3 - SCISSOR ARMS

## FIGURE 3-3. SCISSOR ARMS INSTALLATION - 2630ES

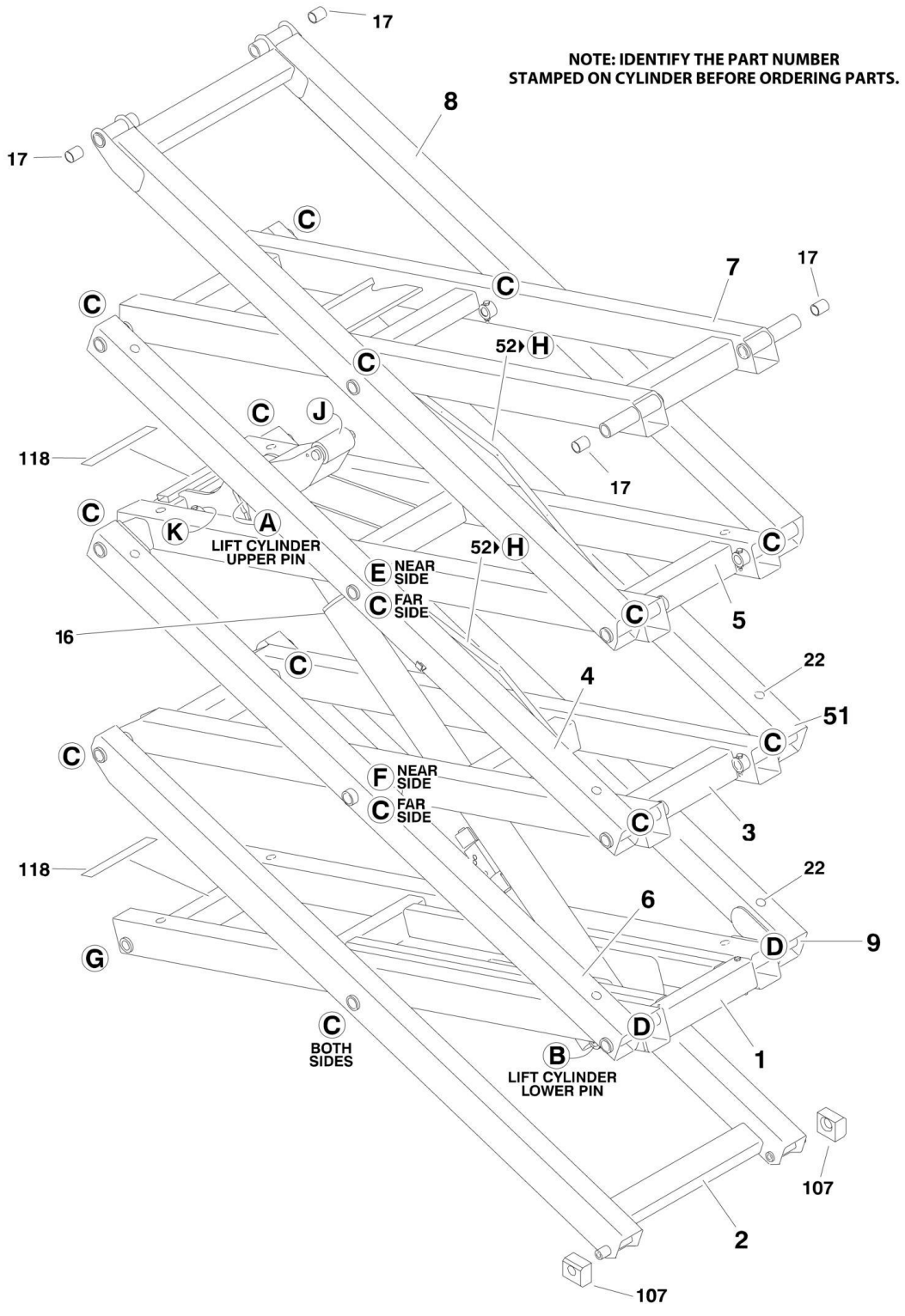
ITEM	PART NUMBER	QTY	DESCRIPTION	REV
		Ref	<b>SCISSOR ARMS ASSEMBLY - 2630ES</b>	
		Ref	<b>Machines with Standard Hydraulic Oil:</b>	
	0275019	Ref	<b>Scissor Arms Assembly with Lift Cylinder Stamped 1684488</b>	P
	1001131021	Ref	<b>Scissor Arms Assembly with Lift Cylinder Stamped 1001129290</b>	D
	1001157317	Ref	<b>Scissor Arm Assembly with Lift Cylinder Stamped 1001155842</b>	A
		Ref	<b>Machines with Biodegradable Hydraulic Oil:</b>	
	0200840	Ref	<b>Scissor Arms Assembly with Lift Cylinder Stamped 1684528</b>	N
	1001131029	Ref	<b>Scissor Arms Assembly with Lift Cylinder Stamped 1001131035</b>	D
	1001157341	Ref	<b>Scissor Arms Assembly with Lift Cylinder Stamped 1001157331</b>	A
1	0200799	1	Arm - Lower Mid Inboard	
2	0200800	1	Arm - Upper Mid Inboard	
3	0200801	1	Arm - Upper Inboard	
4	0200802	1	Arm - Lower Outboard	
5	0200803	1	Arm - Lower Mid Outboard (Left Side)	
6	0200804	1	Arm - Lower Mid Outboard (Right Side)	
7	0200805	2	Arm - Upper Mid Out board	
8	0200807	1	Arm - Upper Outboard	
9	0200834	1	Arm - Lower Inboard	
10	0440266	4	Bearing	
11	0440267	42	Bearing	
12	0701015	1	Bolt M10 x 35mm	
13	0701017	1	Bolt M10 x 45mm	
14	0701022	18	Bolt M10 x 70mm	
15	0701029	4	Bolt M10 x 120mm	
16	1180382	1	Carrier, Cable	
17	1180383	1	Carrier, Cable	
18		Ref	Lift Cylinder Assembly Options (See CYLINDER SECTION for Breakdown):	
18		Ref	<b>Machines with Standard Hydraulic Oil:</b>	
18	1684488	1	Lift Cylinder Assembly Stamped 1644488	
18	1001129290	1	Lift Cylinder Assembly Stamped 1001129290	
18	1001155842	1	Lift Cylinder Assembly Stamped 1001155842	
18		Ref	<b>Machines with Biodegradeable Hydraulic Oil:</b>	
18	1684528	1	Lift Cylinder Assembly Stamped 1684528	
18	1001131035	1	Lift Cylinder Assembly Stamped 1001131035	
18	1001157331	1	Lift Cylinder Assembly Stamped 1001157331	
20	3291007	24	Locknut M10	
21	3340962	24	Pad, Arm	
22	3760170	2	Ring, Split	
23	3422997	13	Pin	
24	3422998	1	Pin	
25	3423014	1	Pin	
26	3423036	4	Pin	
27	3423038	1	Pin	
28	3423039	1	Pin	
29	3423067		Pin	
30	3574161	1	Bar, Prop Attach	

## SECTION 3 - SCISSOR ARMS

ITEM	PART NUMBER	QTY	DESCRIPTION	REV
31	3760387	20	Ring, Retaining	
32	3841143	1	Keeper, Pin	
33	3860107	1	Roller	
34	4071094	AR	Shim, Spacer	
35	4740438	20	Washer, Special	
36	4812000	2	Flatwasher M10	
37	4846752	1	Kicker, Arm	
38	3291007	1	Locknut M10	
45	3423014	2	Pin	
	2902500	1	Scissor Arm Kit - 2630ES (Includes Items 1-11, 16, 17, 30 & 37)	N
		Ref	<b>SCISSOR ARMS INSTALLATION</b>	
		Ref	<b>Machines with Standard Hydraulic Oil:</b>	
	0275017	Ref	<b>Scissor Arms Installation with Lift Cylinder Stamped 1684488</b>	I
	1001131006	Ref	<b>Scissor Arms Installation with Lift Cylinder Stamped 1001129290</b>	C
	1001157323	Ref	<b>Scissor Arms Installation with Lift Cylinder Stamped 1001155842</b>	A
		Ref	<b>Machines with Biodegradable Hydraulic Oil:</b>	
	0275694	Ref	<b>Scissor Arms Installation with Lift Cylinder Stamped 1684528</b>	G
	1001131011	Ref	<b>Scissor Arms Installation with Lift Cylinder Stamped 1001131035</b>	C
	1001157336	Ref	<b>Scissor Arms Installation with Lift Cylinder Stamped 1001157331</b>	A
102	0701022	1	Bolt M10 x 70mm	
103	1061034	1	Cable, Manual Descent (Not Shown):	
103	7020218	1	T-Handle (With 1/4in-20 Threads)	
103	70001878	1	T-Handle (With 5mm Threads)	
105	3200454	1	Mount, Switch	
106	3291005	1	Locknut M10	
108	3321402	1	Nut, Jam 1/4in-28NF (Not Shown)	
109	3340957	2	Pad, Slide	
110	3423259	1	Pin, Sensor	
112	4160078	1	Spring, Compression (Not Shown)	
113	4191706	3	Screw M6 x 12mm	
116	1001092354	1	Switch, Rotary Angle Sensor	

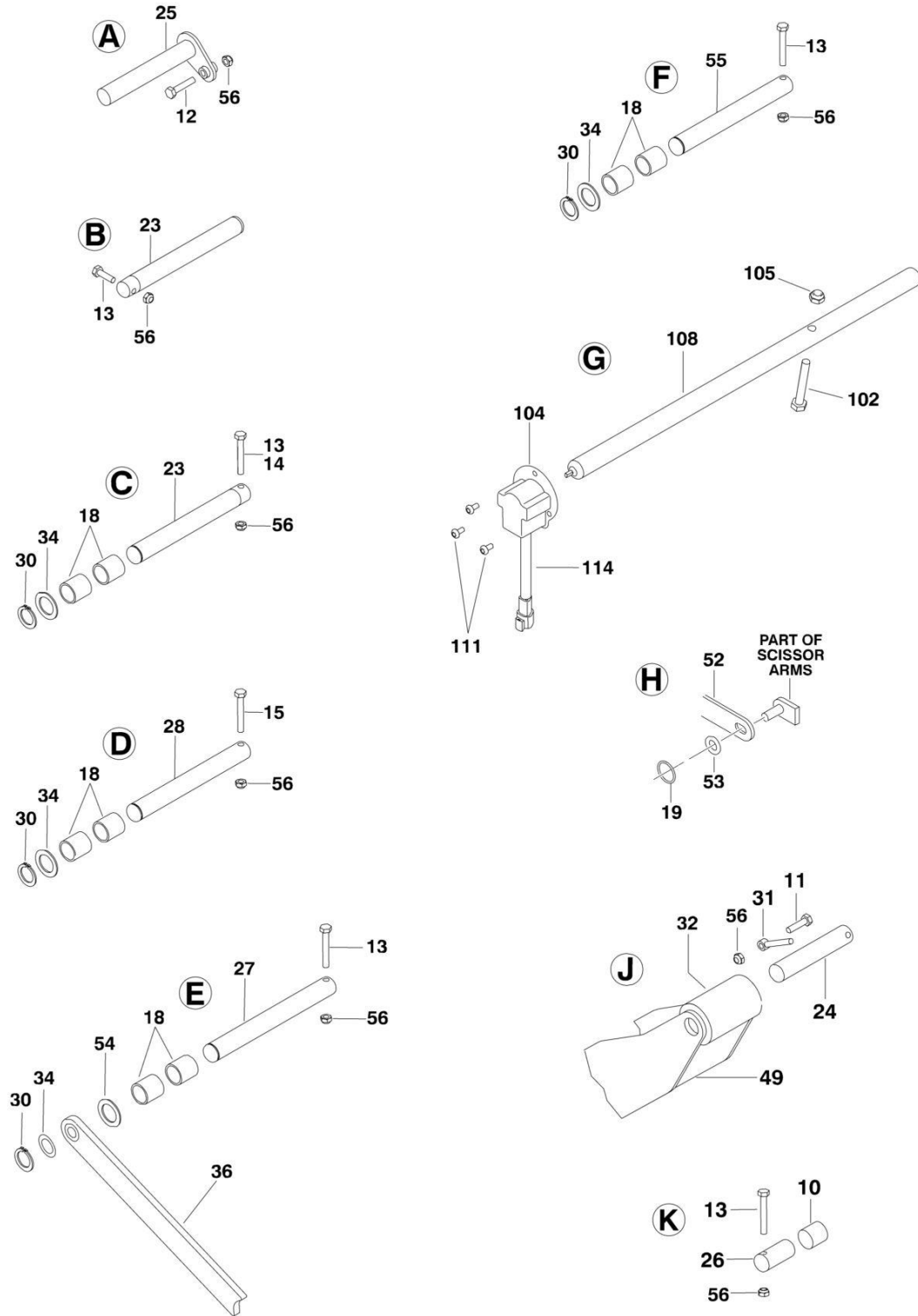
# SECTION 3 - SCISSOR ARMS

## FIGURE 3-4. SCISSOR ARMS INSTALLATION - 2646ES





# SECTION 3 - SCISSOR ARMS



# SECTION 3 - SCISSOR ARMS

## FIGURE 3-4. SCISSOR ARMS INSTALLATION - 2646ES

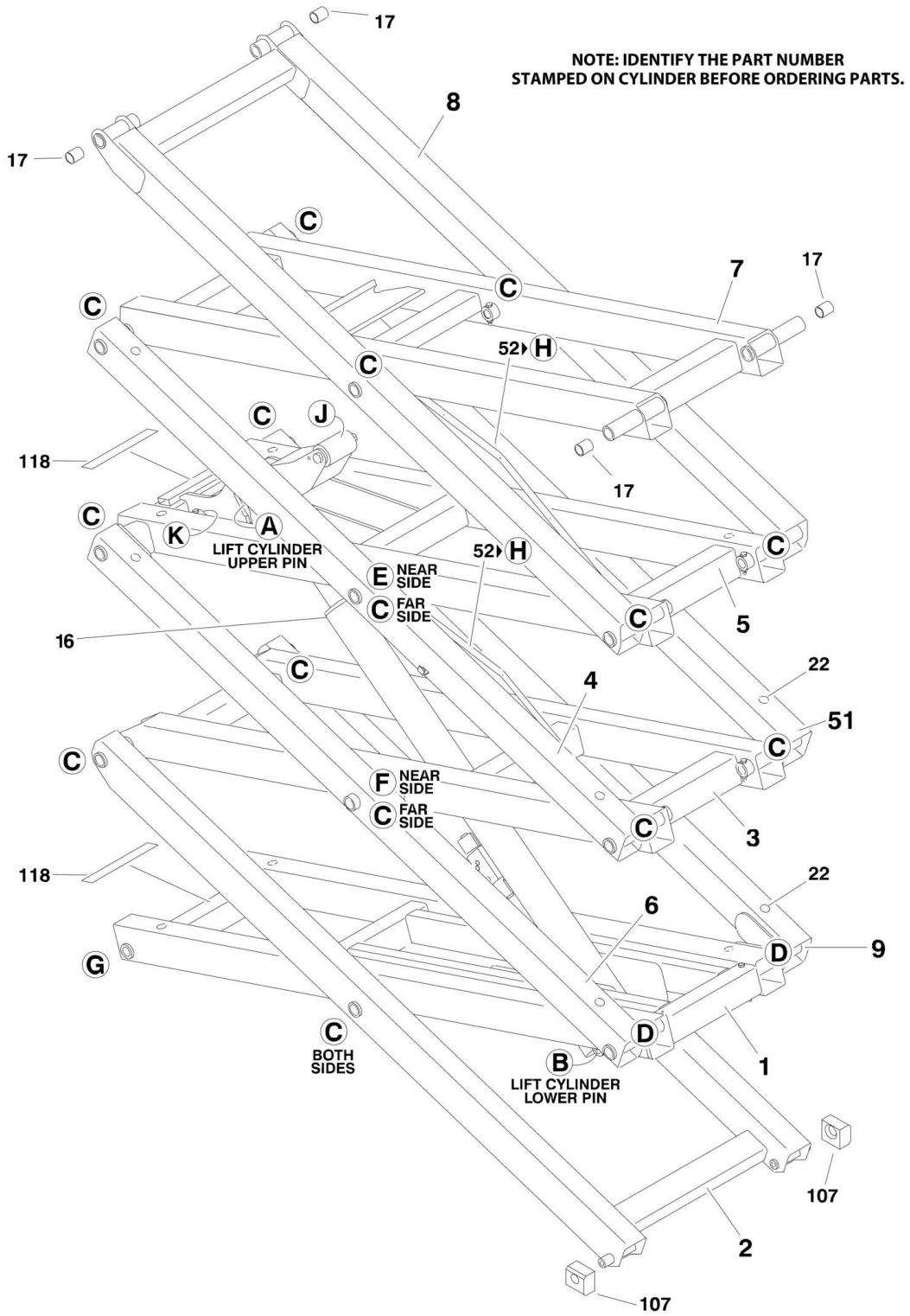
ITEM	PART NUMBER	QTY	DESCRIPTION	REV
		Ref	<b>SCISSOR ARMS ASSEMBLIES</b>	
		Ref	<b>Machines with Standard Hydraulic Oil:</b>	
	0274880	Ref	<b>Scissor Arms Assembly with Lift Cylinder Stamped 1684489</b>	M
	1001131024	Ref	<b>Scissor Arms Assembly with Lift Cylinder Stamped 10011229291</b>	F
	1001157319	Ref	<b>Scissor Arms Assembly with Lift Cylinder Stamped 1001155843</b>	C
		Ref	<b>Machines with Biodegradeable Hydraulic Oil:</b>	
	0200841	Ref	<b>Scissor Arms Assembly with Lift Cylinder Stamped 1684529</b>	K
	1001131030	Ref	<b>Scissor Arms Assembly with Lift Cylinder Stamped 1001131036</b>	D
	1001157337	Ref	Scissor Arms Assembly with Lift Cylinder Stamped 1001157332	A
1	0200832	1	Arm - Lower Inboard	
2	0200783	1	Arm - Lower Outboard	
3	0200831	1	Arm - Lower Mid Inboard	
4	0200830	1	Arm - Upper Mid Outboard (Right Side)	
5	0200829	1	Arm - Upper Mid Inboard	
6	0200828	1	Arm - Lower Mid Outboard (Right Side)	
7	0200827	1	Arm - Upper Inboard	
8	0200789	1	Arm - Upper Outboard	
9	0200826	1	Arm - Lower Mid Outboard (Left Side)	
10	0440257	2	Bearing	
11	0701016	1	Bolt M10 x 40mm	
12	0701020	1	Bolt M10 x 60mm	
13	0701022	19	Bolt M10 x 70mm	
14	0701027	2	Bolt M10 x 100mm	
15	0701029	2	Bolt M10 x 120mm	
16		Ref	Lift Cylinder Assembly Options (See CYLINDER SECTION for Breakdown):	
16		Ref	<b>Machines with Standard Hydraulic Oil:</b>	
16	1684489	1	Lift Cylinder Assembly Stamped 1684489	
16	1001129291	1	Lift Cylinder Assembly Stamped 1001129291	
16	1001155843	1	Lift Cylinder Assembly Stamped 1001155843	
16		Ref	<b>Machines with Biodegradeable Hydraulic Oil:</b>	
16	1684529	1	Lift Cylinder Assembly Stamped 1684529	
16	1001131036	1	Lift Cylinder Assembly Stamped 1001131036	
16	1001157332	1	Lift Cylinder Assembly Stamped 1001157332	
17	0440266	4	Bearing	
18	0440267	40	Bearing	
19	3760170	4	Ring, Split	
22	3340962	24	Pad, Arm	
23	3422997	17	Pin	
24	3422998	1	Pin	
25	3423009	1	Pin	
26	3423011	2	Pin	
27	3423014	1	Pin	
28	3423026	2	Pin	
30	3760387	20	Ring, Retaining	
31	3841143	1	Keeper, Pin	
32	3860104	1	Roller	

## SECTION 3 - SCISSOR ARMS

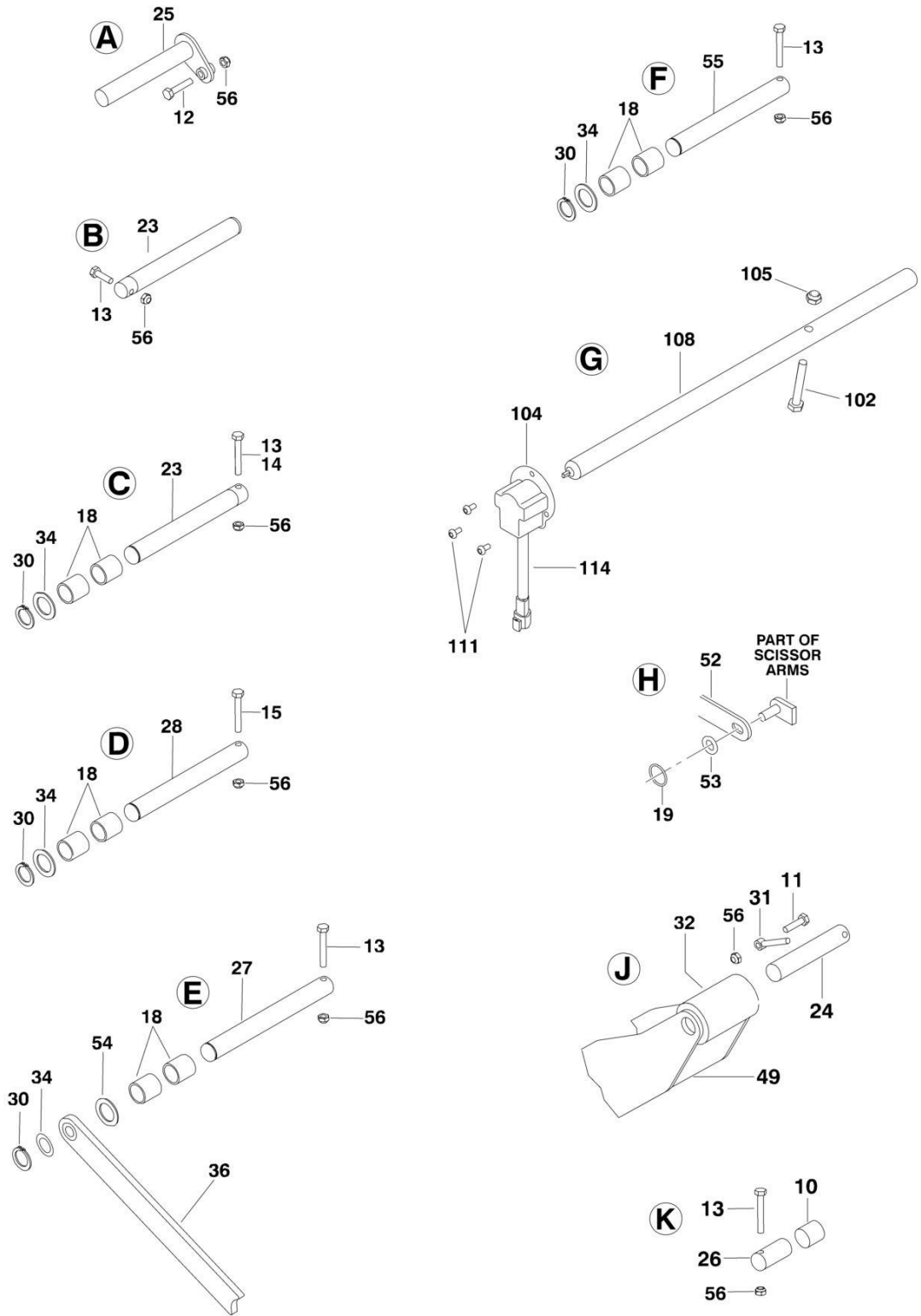
ITEM	PART NUMBER	QTY	DESCRIPTION	REV
34	4740438	20	Washer, Special	
36	3574161	1	Prop, Safety	
49	4846684	1	Kicker, Arm	
51	0200820	1	Arm - Upper Mid Outboard (Left Side)	
52	1180380	2	Carrier, Cable	
53	4812000	4	Flatwasher M10	
54	4071094	AR	Shim, Spacer	
55	3423170	1	Pin	
56	3291007	25	Locknut M10	
	2902475	1	Scissor Arm Kit - 2646ES (Includes Items 1-10, 17, 18, 36, 49, 51 & 52)	L
		Ref	<b>SCISSOR ARMS INSTALLATIONS</b>	
		Ref	<b>Machines with Standard Hydraulic Oil:</b>	
	0274881	Ref	<b>Scissor Arms Installation with Lift Cylinder Stamped 1684489</b>	H
	1001131007	Ref	<b>Scissor Arms Installation with Lift Cylinder Stamped 1001129291</b>	E
	1001157324	Ref	<b>Scissor Arms Installation with Lift Cylinder Stamped 1001155843</b>	C
		Ref	<b>Machines with Biodegradable Hydraulic Oil:</b>	
	0275695	Ref	<b>Scissor Arms Installation with Lift Cylinder Stamped 1684529</b>	G
	1001131012	Ref	<b>Scissor Arms Installation with Lift Cylinder Stamped 1001131036</b>	C
	1001157342	Ref	<b>Scissor Arms Installation with Lift Cylinder Stamped 1001157332</b>	A
102	0701022	2	Bolt M10 x 70mm	
104	3200454	1	Mount, Switch	
105	3291005	2	Locknut M10	
107	3340957	2	Pad, Slide	
108	3423255	1	Pin, Sensor	
111	4191706	3	Screw M6 x 12mm	
114	1001092354	1	Switch, Rotary Angle Sensor	
115	1061034	1	Cable, Manual Descent (Not Shown)	
115	7020218	1	T-Handle (With 1/4in-20 Threads)	
115	70001878	1	T-Handle (With 5mm Threads)	
116	3321402	1	Nut, Jam 1/4in-28NF (Not Shown)	
117	4160078	1	Spring, Compression (Not Shown)	
118	4420070	AR	Tape, Anti-Skid (3 Pcs 41mm x 279mm Each)	
119	4420080	AR	Tape, Anti-Skid (1 Pc 60mm x 279mm) (Not Shown - Located on Bottom Step - Part of Frame)	

# SECTION 3 - SCISSOR ARMS

## FIGURE 3-5. SCISSOR ARMS INSTALLATION - 3246ES



# SECTION 3 - SCISSOR ARMS



# SECTION 3 - SCISSOR ARMS

## FIGURE 3-5. SCISSOR ARMS INSTALLATION - 3246ES

ITEM	PART NUMBER	QTY	DESCRIPTION	REV
		Ref	<b>SCISSOR ARMS ASSEMBLIES</b>	
		Ref	<b>Machines with Standard Hydraulic Oil:</b>	
	0274878	Ref	<b>Scissor Arms Assembly with Lift Cylinder Stamped 1684490</b>	M
	1001131026	Ref	<b>Scissor Arms Assembly with Lift Cylinder Stamped 1001129292</b>	F
	1001157320	Ref	<b>Scissor Arms Assembly with Lift Cylinder Stamped 1001155844</b>	C
		Ref	<b>Machines with Biodegradeable Hydraulic Oil:</b>	
	0200842	Ref	<b>Scissor Arms Assembly with Lift Cylinder Stamped 1684530</b>	K
	1001131031	Ref	<b>Scissor Arms Assembly with Lift Cylinder Stamped 1001131037</b>	D
	1001157338	Ref	<b>Scissor Arms Assembly with Lift Cylinder Stamped 1001157333</b>	A
1	0200832	1	Arm - Lower Inboard	
2	0200783	1	Arm - Lower Outboard	
3	0200831	1	Arm - Lower Mid Inboard	
4	0200830	1	Arm - Upper Mid Outboard (Right Side)	
5	0200829	1	Arm - Upper Mid Inboard	
6	0200828	1	Arm - Lower Mid Outboard (Right Side)	
7	0200827	1	Arm - Upper Inboard	
8	0200789	1	Arm - Upper Outboard	
9	0200826	1	Arm - Lower Mid Outboard (Left Side)	
10	0440257	2	Bearing	
11	0701016	1	Bolt M10 x 40mm	
12	0701020	1	Bolt M10 x 60mm	
13	0701022	19	Bolt M10 x 70mm	
14	0701027	2	Bolt M10 x 100mm	
15	0701029	2	Bolt M10 x 120mm	
16		Ref	Lift Cylinder Assembly Options (See CYLINDER SECTION for Breakdown):	
16		Ref	<b>Machines with Standard Hydraulic Oil:</b>	
16	1684490	1	Lift Cylinder Assembly Stamped 1684490	
16	1001129292	1	Lift Cylinder Assembly Stamped 1001129292	
16	1001155844	1	Lift Cylinder Assembly Stamped 1001155844	
16		Ref	<b>Machines with Biodegradeable Hydraulic Oil:</b>	
16	1684530	1	Lift Cylinder Assembly Stamped 1684530	
16	1001131037	1	Lift Cylinder Assembly Stamped 1001131037	
16	1001157333	1	Lift Cylinder Assembly Stamped 1001157333	
17	0440266	4	Bearing	
18	0440267	40	Bearing	
19	3760170	4	Ring, Split	
22	3340962	24	Pad, Arm	
23	3422997	17	Pin	
24	3422998	1	Pin	
25	3423009	1	Pin	
26	3423011	2	Pin	
27	3423014	1	Pin	
28	3423026	2	Pin	
30	3760387	20	Ring, Retaining	
31	3841143	1	Keeper, Pin	
32	3860104	1	Roller	

## SECTION 3 - SCISSOR ARMS

ITEM	PART NUMBER	QTY	DESCRIPTION	REV
34	4740438	20	Washer, Special	
36	3574161	1	Prop, Safety	
49	4846684	1	Kicker, Arm	
51	0200820	1	Arm - Upper Mid Outboard (Left Side)	
52	1180380	2	Carrier, Cable	
53	4812000	4	Flatwasher M10	
54	4071094	AR	Shim, Spacer	
55	3423170	1	Pin	
56	3291007	25	Locknut M10	
	2902475	1	Scissor Arm Kit - 2646ES/3246ES (Includes Items 1-10, 17, 18, 36, 49, 51 & 52)	L
		Ref	<b>SCISSOR ARMS INSTALLATIONS</b>	
		Ref	<b>Machines with Standard Hydraulic Oil:</b>	
	0274879	Ref	<b>Scissor Arms Installation with Lift Cylinder 1684490</b>	H
	1001131008	Ref	<b>Scissor Arms Installation with Lift Cylinder 1001129292</b>	D
	1001157325	Ref	<b>Scissor Arms Installation with Lift Cylinder 1001155844</b>	B
		Ref	<b>Machines with Biodegradeable Hydraulic Oil:</b>	
	0275696	Ref	<b>Scissor Arms Installation with Lift Cylinder 1684530</b>	G
	1001131013	Ref	<b>Scissor Arms Installation with Lift Cylinder 1001131037</b>	C
	1001157343	Ref	<b>Scissor Arms Installation with Lift Cylinder 1001157333</b>	A
102	0701022	2	Bolt M10 x 70mm	
104	3200454	1	Mount, Switch	
105	3291005	2	Locknut M10	
107	3340957	2	Pad, Slide	
108	3423255	1	Pin, Sensor	
111	4191706	3	Screw M6 x 12mm	
114	1001092354	1	Switch, Rotary Angle Sensor	
115	1061034	1	Cable, Manual Descent (Not Shown)	
115	7020218	1	T-Handle (With 1/4in-20 Threads)	
115	70001878	1	T-Handle (With 5mm Threads)	
116	3321402	1	Nut, Jam 1/4in-28NF (Not Shown)	
117	4160078	1	Spring, Compression (Not Shown)	
118	4420070	AR	Tape, Anti-Skid (3 Pcs 41mm x 279mm Each)	
119	4420080	AR	Tape, Anti-Skid (1 Pc 60mm x 279mm) (Not Shown - Located on Bottom Step - Part of Frame)	

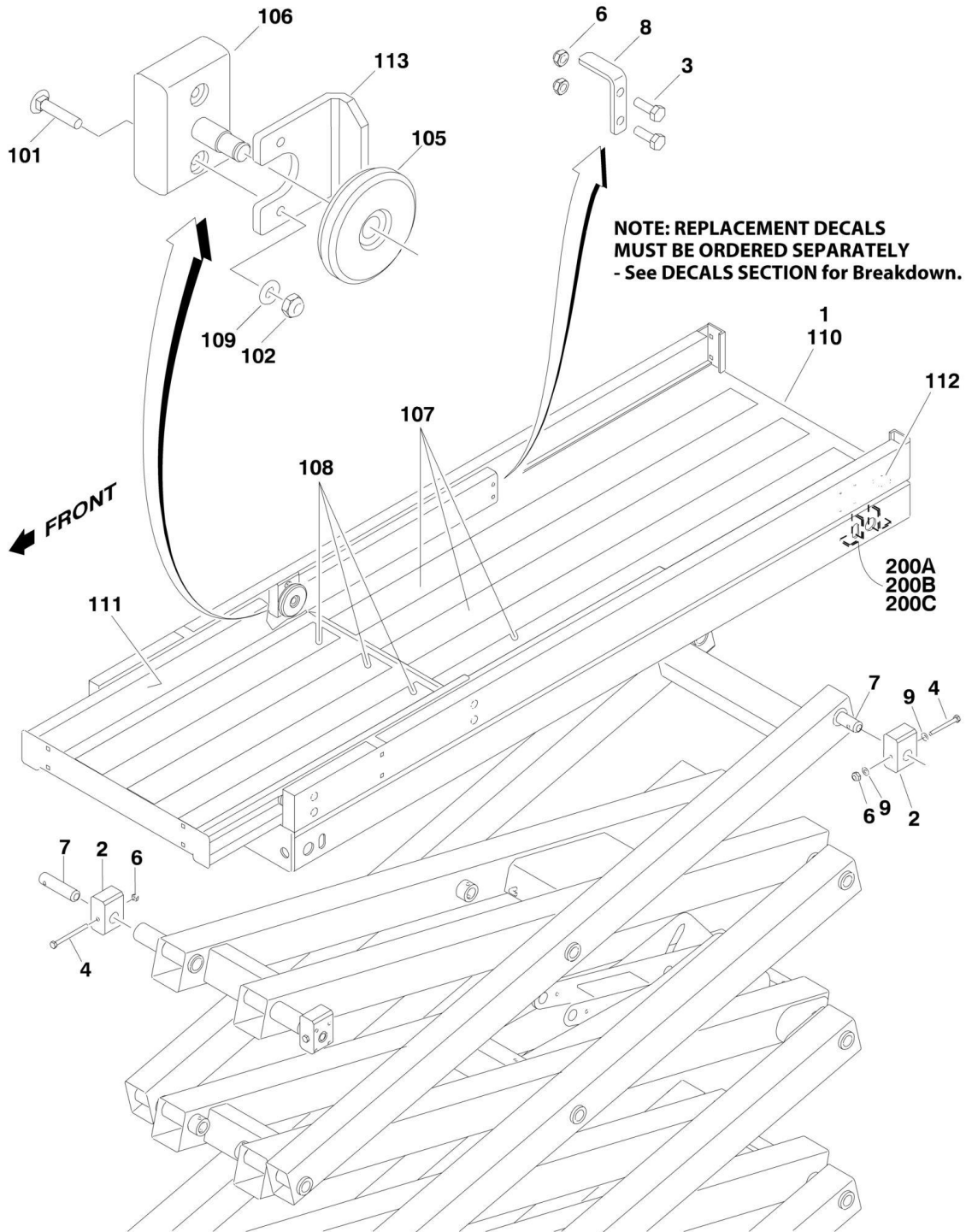




**SECTION 4 - PLATFORM**

# SECTION 4 - PLATFORM

## FIGURE 4-1. PLATFORM INSTALLATION



## SECTION 4 - PLATFORM

### FIGURE 4-1. PLATFORM INSTALLATION

ITEM	PART NUMBER	QTY	DESCRIPTION	REV
		Ref	<b>PLATFORM INSTALLATIONS</b>	
		Ref	<b>ANSI and CSA Specs</b>	
	0274817	Ref	<b>ANSI and CSA Specs 1930ES (Original Equipment)</b>	E
	1001134933	Ref	<b>ANSI and CSA Specs 1930ES (Service Replacement)</b>	A
	0274991	Ref	<b>ANSI and CSA Specs 2030ES/2630ES</b>	C
	0274930	Ref	<b>ANSI and CSA Specs 2646ES/3246ES</b>	B
		Ref	<b>CE and Japanese Specs</b>	
	0275029	Ref	<b>CE and Japanese Specs 1930ES</b>	F
	0274992	Ref	<b>CE and Japanese Specs 2030ES/2630ES</b>	C
	0274931	Ref	<b>CE and Japanese Specs 2646ES/3246ES</b>	B
		Ref	<b>Note: All versions are available on ANSI Export Specs.</b>	
		Ref	<b>Note: All versions are available on Australian Specs except USA Built Machines SN 0200235789 to 0200239381.</b>	
		Ref	Australian Specs (USA Built Machines) (SN 0200235789 through 0200239381)	
	1001160492	Ref	Australian Specs 1930ES (SN 0200235789 through 0200239381)	A
	1001160522	Ref	Australian Specs 2030ES/2630ES (SN 0200235789 through 0200239381)	A
	1001160530	Ref	Australian Specs 2646ES/3246ES (SN 0200235789 through 0200239381)	A
1		Ref	Platform Assembly (See Items 101-113 for Breakdown):	
1	0274818	NLA	Platform Assembly 1930ES (Use p/n 1001134934)	
1	1001160453	1	Platform Assembly 1930ES USA Built Australian Spec (SN 0200235789 through 0200239381)	
1	0274971	1	Platform Assembly 2030ES/2630ES	
1	1001160520	1	Platform Assembly 2030ES/2630ES USA Built Australian Spec (SN 0200235789 through 0200239381)	
1	0274929	1	Platform Assembly 2646ES/3246ES	
1	1001160524	1	Platform Assembly 2646ES/3246ES USA Built Australian Spec (SN 0200235789 through 0200239381)	
2		Ref	Block, Slide Options:	
2	3340976	2	Block, Slide 1930ES (Front Block)	
2	3340965	2	Block, Slide 1930ES (Rear Block)	
2	1001134951	2	Block, Slide 1930ES (Spacer Sleeve Used with Rear Block) (Service Replacement Platforms Only)	
2	0561520	4	Block, Slide 2030ES/2630ES/2646ES/3246ES	
3	3900351	4	Bolt M10 x 30mm	
4		Ref	Bolt M10 Options:	
4	0701022	2	Bolt 70mm Length (Front Slide Block - 1930ES)	
4	0701026	NLA	Bolt 90mm Length (Rear Slide Block - 1930ES) (Use p/n 0701027 - 100mm Length)	
4	0701029	2	Bolt 120mm Length (Rear Slide Block - 1930ES) (Service Replacement Platform Only)	
4	0701024	2	Bolt 80mm Length (Front Slide Block - 2030ES/2630ES/2646ES/3246ES)	
4	0701027	2	Bolt 100mm Length (Rear Slide Block - 2030ES/2630ES/2646ES/3246ES)	
6	3291005	8	Locknut M10	
7		Ref	Pin Options:	
7	3423049	4	Pin All Machines except CE and Japanese Specs	
7	See Note	4	Pin CE and Japanese Spec Machines (Note: Refer to JLG Supplement p/n 3124288)	

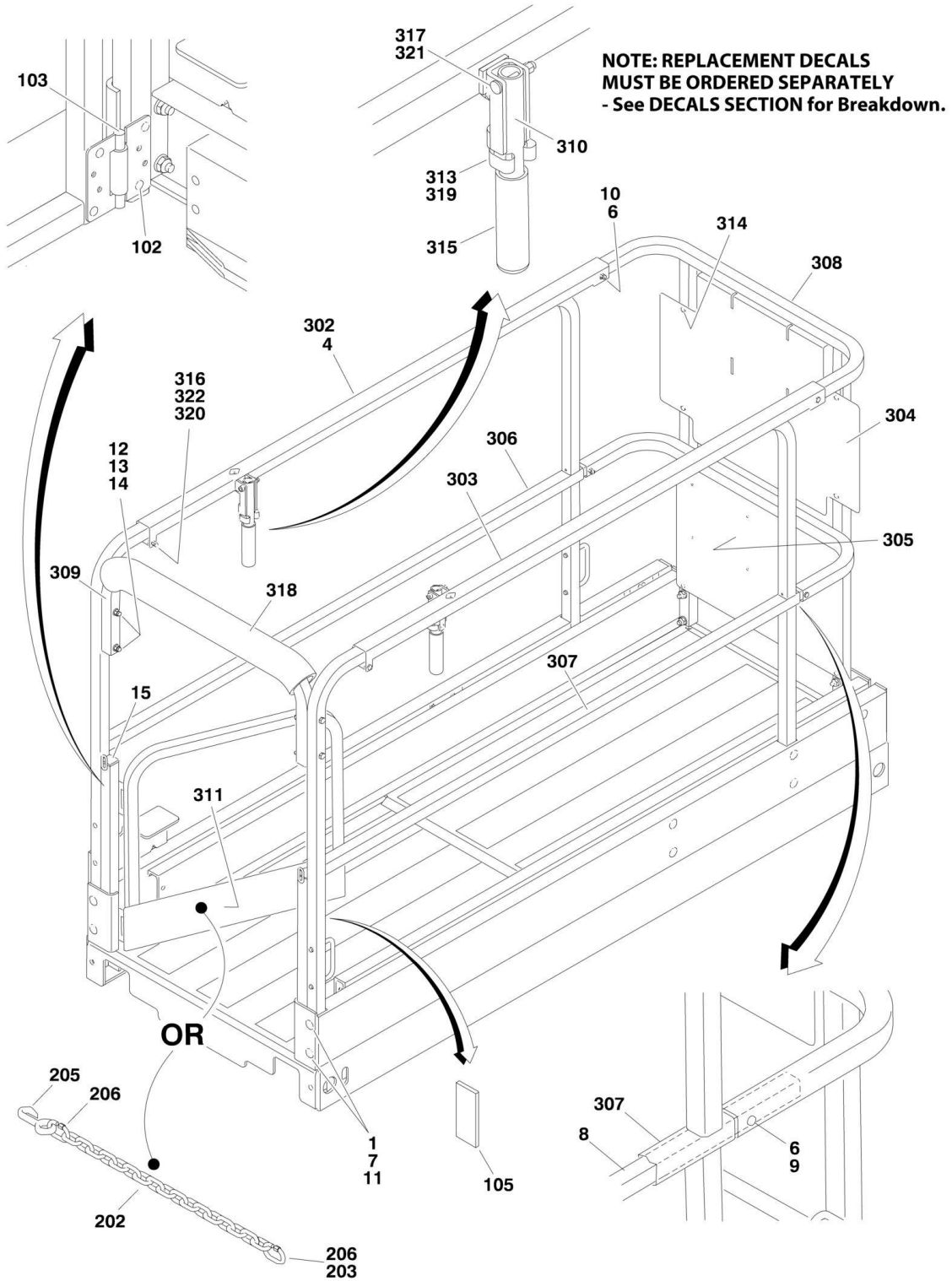
## SECTION 4 - PLATFORM

ITEM	PART NUMBER	QTY	DESCRIPTION	REV
8	3574067	2	Plate, Extension Stop	
9	4812000	4	Flatwasher M10	
		Ref	<b>PLATFORM ASSEMBLY</b>	
	0274818	Ref	<b>Platform Assembly 1930ES (Original Equipment)</b>	B
	1001134934	Ref	<b>Platform Assembly 1930ES (Service Replacement)</b>	A
	1001160453	Ref	<b>Platform Assembly 1930ES USA Built Australian Spec (SN 0200235789 through 0200239381)</b>	A
	0274971	Ref	<b>Platform Assembly 2030ES/2630ES</b>	C
	1001160520	Ref	<b>Platform Assembly 2030ES/2630ES USA Built Australian Spec (SN 0200235789 through 0200239381)</b>	A
	0274929	Ref	<b>Platform Assembly 2646ES/3246ES</b>	B
	1001160524	Ref	<b>Platform Assembly 2646ES/3246ES USA Built Australian Spec (SN 0200235789 through 0200239381)</b>	A
101	0630565	8	Bolt, Carriage M10 x 50mm	
102	3291005	8	Locknut M10	
105	3860118	4	Roller	
106	4340914	4	Mount	
107		Ref	Tape, Anti-Skid Options:	
107	4420071	3	Tape, Anti-Skid 1930ES	
107	4420075	3	Tape, Anti-Skid 2030ES/2630ES	
107	4420073	5	Tape, Anti-Skid 2646ES/3246ES	
108		Ref	Tape, Anti-Skid Options:	
108	4420072	3	Tape, Anti-Skid 1930ES/2030ES/2630ES	
108	4420074	5	Tape, Anti-Skid 2646ES/3246ES	
109	4812000	8	Flatwasher M10	
110		Ref	Platform Weldment Options:	
110	3510888	NLA	Platform Weldment 1930ES (Use p/n 1001134935)	
110	1001160452	1	<b>Platform Weldment 1930ES USA Built Australian Spec (SN 0200235789 through 0200239381)</b>	
110	3510892	1	Platform Weldment 2030ES/2630ES	
110	1001160519	1	<b>Platform Weldment 2030ES/2630ES USA Built Australian Spec (SN 0200235789 through 0200239381)</b>	
110	3510890	1	Platform Weldment 2646ES/3246ES	
110	1001160523	1	<b>Platform Weldment 2646ES/3246ES USA Built Australian Spec (SN 0200235789 through 0200239381)</b>	
111		Ref	Extension Weldment Options:	
111	4846768	1	Extension Weldment 1930ES/2030ES/2630ES	
111	1001160583	1	<b>Extension Weldment 1930ES/2030ES/2630ES USA Built Australian Spec (SN 0200235789 through 0200239381)</b>	
111	4846764	1	Extension Weldment 2646ES/3246ES	
111	1001160582	1	<b>Extension Weldment 2646ES/3246ES USA Built Australian Spec (SN 0200235789 through 0200239381)</b>	
112	2540045	1	Grommet	
113	0903574	1	Bracket, Stop (Use with p/n 0274818, 0274971 & 1001134934 Platform Assemblies Only)	
		Ref	<b>SLIDE BLOCK MOUNT REPAIR KITS</b>	
200		Ref	Fixed Mount Repair Kit (Kit includes components and instructions to repair weld cracks in fixed mounting block supports on aluminum platforms)	
200A	2915241	1	Slide Block Mount Repair Kits 1930ES Fixed Mount Repair Kit	
200B	2915240	1	Slide Block Mount Repair Kits 2030ES/2630ES Fixed Mount Repair Kit	
200C	2915241	1	Slide Block Mount Repair Kits 2646ES/3246ES Fixed Mount Repair Kit	



# SECTION 4 - PLATFORM

## FIGURE 4-2. RAIL (FIXED) INSTALLATION - 1930ES



## SECTION 4 - PLATFORM

**FIGURE 4-2. RAIL (FIXED) INSTALLATION - 1930ES**

ITEM	PART NUMBER	QTY	DESCRIPTION	REV
		Ref	<b>RAIL INSTALLATION - 1930ES</b>	
	0274985	Ref	<b>Rails with Gate Closure</b>	D
	0274816	Ref	<b>Rails with Chain Closure</b>	D
1	0630565	12	Bolt, Carriage M10 x 55mm	
4		Ref	Rail Assembly Options (See Items 302-322 for Breakdown):	
4	2902448	1	Rails with Gate Closure	
4	2902496	1	Rails with Chain Closure	
6	3290606	4	Capnut M6	
7	3291005	12	Locknut M10	
8	3841716	2	Rod, Fiberglass	
9	4010616	2	Screw M6 x 40mm	
10	4010618	2	Screw M6 x 50mm	
11	4812000	12	Flatwasher M10	
12	0700823	4	Screw M8 x 75mm	
13	3290806	4	Capnut M8	
14	4811900	4	Flatwasher M8	
15	3520072	2	Cap-Plug	
	0274985	Ref	<b>GATE CLOSURE COMPONENTS</b>	D
		Ref	<b>Note: For Australian Spec Machines with magnetic gate latch, See SPECIAL OPTIONS SECTION for Breakdown.</b>	
102	2080040	8	Fastener, Huck	
103	2600281	2	Hinge	
105	3080007	1	Magnet, Gate	
	0274816	Ref	<b>CHAIN CLOSURE COMPONENTS</b>	D
202	1260136	1.75 ft /53cm	Chain (was 2ft/61cm)	
203	2820097	1.67 ft /51cm	Cover, Chain (was 2ft/61cm)	
205	2940064	NLA	Snap Latch Repair Kit (Use p/n 1001101076) (Includes Item 206)	
206	3010088	2	Link	
		Ref	<b>RAIL ASSEMBLY - 1930ES</b>	
	2902496	Ref	<b>Rails with Gate Closure</b>	L
	2902448	Ref	<b>Rails with Chain Closure</b>	J
302	1271617	1	Rail, Slide (Left)	
303	1271618	1	Rail, Slide (Right)	
304	3576645	1	Plate, Billboard (Upper)	
305	3574184	1	Plate, Billboard (Lower)	
306	3641604	1	Rail, Side (Left)	
307	3641605	1	Rail, Side (Right)	
308	3641606	1	Rail, Extension Platform (Front)	
309	4569305	1	Rail (Rear)	
310	2560191	2	Handle, Extension	
311	4846723	1	Gate (2902496 Rail Assembly Only)	
313	1380132	2	Clip, Gripper	
314	2080040	8	Fastener, Huck	
315	2560088	2	Cover, Handle	
316	3290606	2	Capnut M6	
317	3290806	2	Capnut M8	
318	3340612	18 in /46cm	Pad, Rail	

## SECTION 4 - PLATFORM

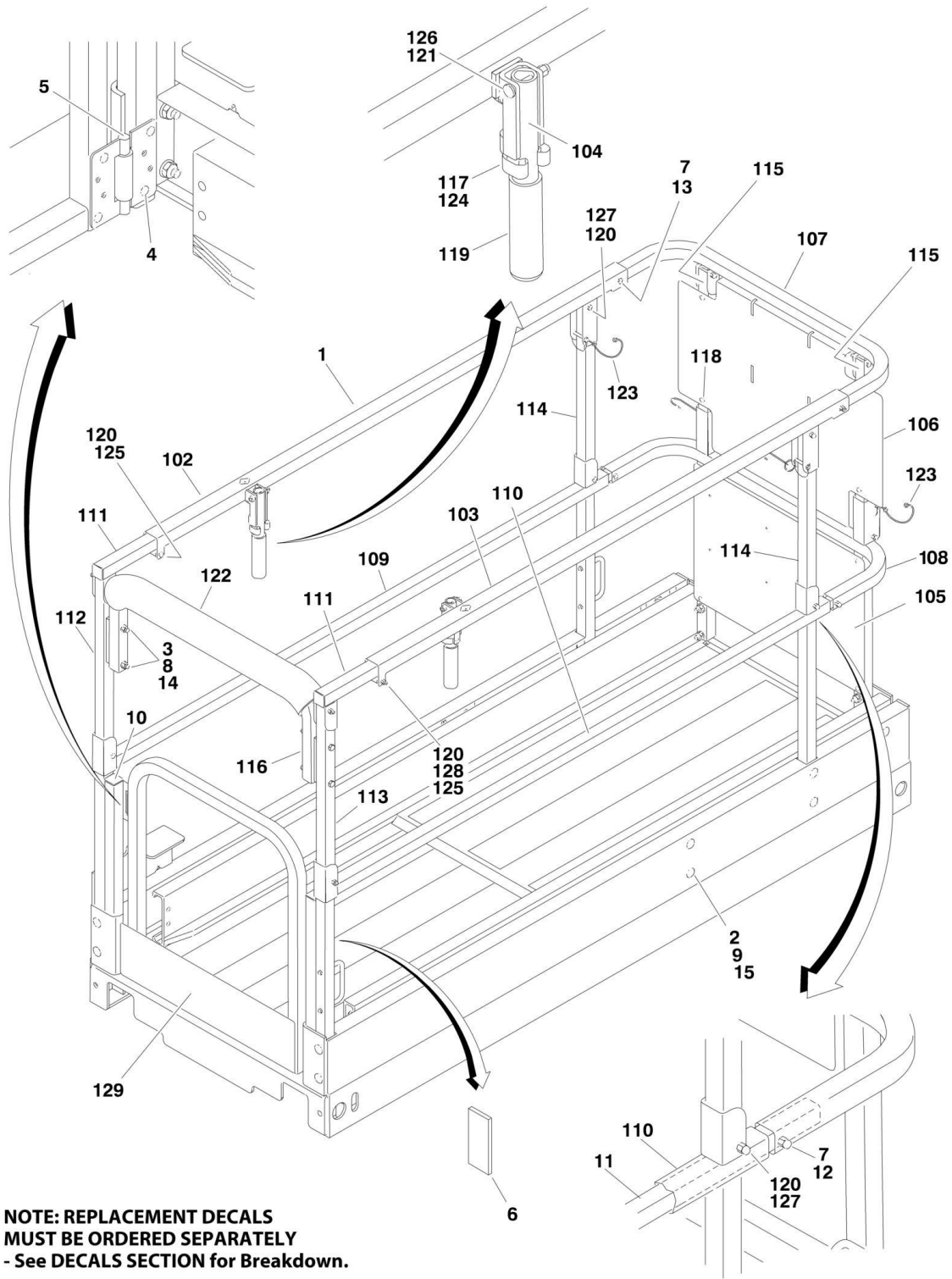
ITEM	PART NUMBER	QTY	DESCRIPTION	REV
319	3820019	2	Rivet	
320	3860111	2	Roller	
321	3900345	2	Screw M8 x 45mm	
322	4010618	2	Screw M6 x 50mm	
	2902449	1	Rails Kit - 1930ES (Includes Items 302-310)	M





# SECTION 4 - PLATFORM

## FIGURE 4-3. RAIL (FOLD-DOWN) INSTALLATION - 1930ES



## SECTION 4 - PLATFORM

**FIGURE 4-3. RAIL (FOLD-DOWN) INSTALLATION - 1930ES**

ITEM	PART NUMBER	QTY	DESCRIPTION	REV
		Ref	<b>RAIL INSTALLATION - 1930ES</b>	
	0275429	Ref	<b>Rails with Gate Closure</b>	D
1	2902535	1	Rail Assembly (See Items 102-129 for Breakdown)	
2	0630565	12	Bolt, Carriage M10 x 55mm	
3	0700825	4	Bolt M8 x 85mm	
4	2080040	8	Fastener, Huck	
5	2600281	2	Hinge	
6	3080007	1	Magnet, Gate	
7	3290606	4	Capnut M6	
8	3290806	4	Capnut M8	
9	3291005	12	Capnut M10	
10	3520072	4	Cap-Plug	
11	3841716	2	Tube, Slide (Mid)	
12	4010616	2	Screw M6 x 40mm	
13	4010618	2	Screw M6 x 50mm	
14	4811900	4	Flatwasher M8	
15	4812000	12	Flatwasher M10	
		Ref	<b>RAIL ASSEMBLY - 1930ES</b>	
	2902535	Ref	<b>Rails with Gate Closure</b>	I
102	1271617	1	Rail, Slide (Left)	
103	1271618	1	Rail, Slide (Right)	
104	2560191	2	Handle, Extension	
105	3574184	1	Plate, Billboard (Lower)	
106	3576932	1	Plate, Billboard (Upper)	
107	3641619	1	Rail (Front Upper)	
108	3641620	1	Rail (Front Mid)	
109	3641650	1	Rail (Left Lower Side)	
110	3641651	1	Rail (Right Lower Side)	
111	3641652	2	Rail (Both Upper Sides)	
112	3641653	1	Rail (Left Rear Upper)	
113	3641654	1	Rail (Right Rear Upper)	
114	4568667	2	Tube, Folding (Both Mid Side)	
115	4569404	2	Tube, Folding (Both Front)	
116	4569428	1	Rail (Rear)	
117	1380132	2	Clip, Gripper	
118	2080040	8	Fastener, Huck	
119	2560088	2	Cover, Handle	
120	3290606	14	Capnut M6	
121	3290806	2	Capnut M8	
122	3340612	18 in /46cm	Pad, Rail	
123	3423278	4	Snap Pin/Lanyard Kit	
124	3820019	2	Rivet	
125	3860111	2	Roller	
126	3900345	2	Capscrew M8 x 45mm	
127	4010617	12	Screw M6 x 45mm	
128	4010618	2	Screw M6 x 50mm	
129	4846723	1	Gate	
		Ref	<b>Note: For Australian Spec Machines with magnetic gate latch, See SPECIAL OPTIONS SECTION for Breakdown.</b>	

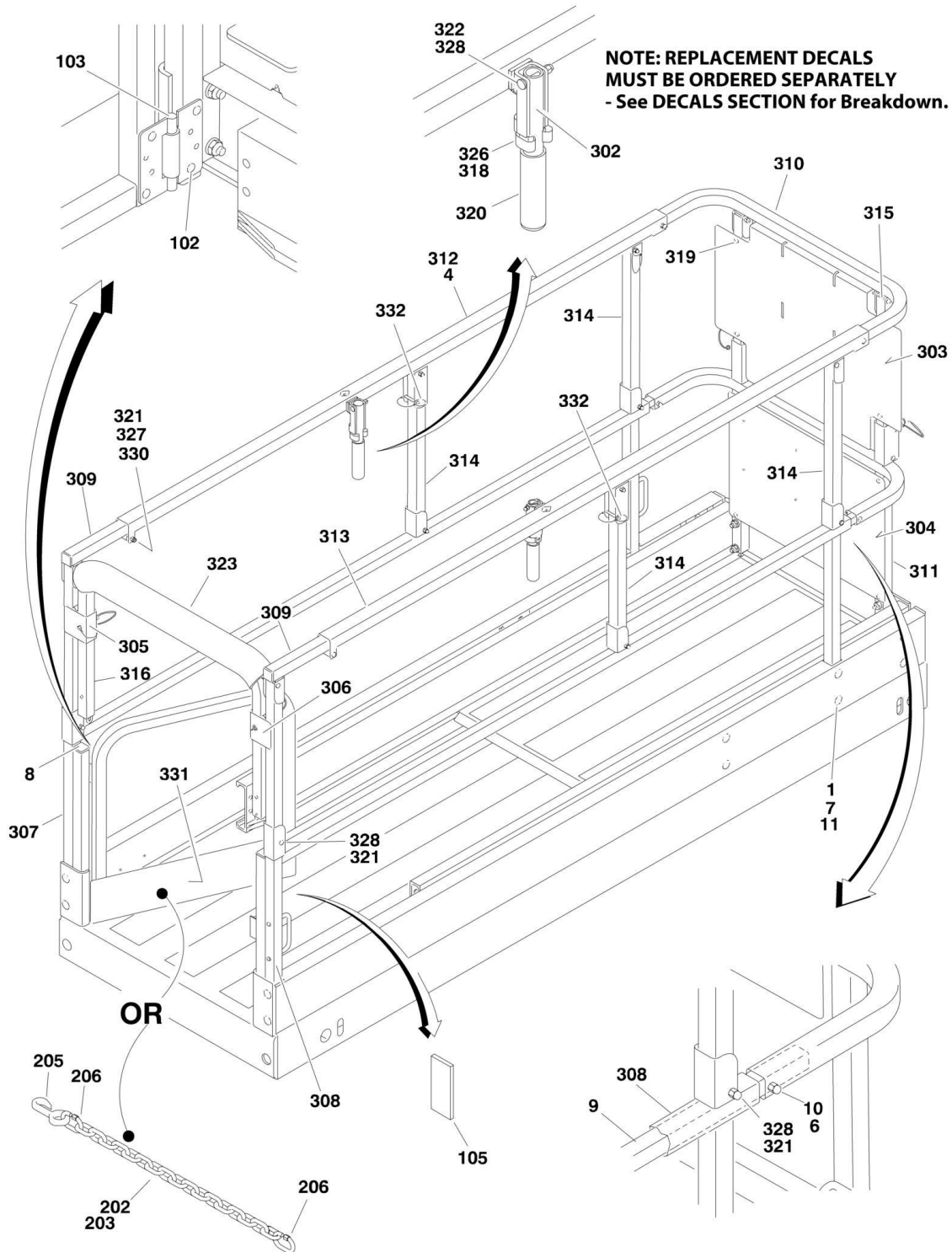
## SECTION 4 - PLATFORM

ITEM	PART NUMBER	QTY	DESCRIPTION	REV
	2902536	1	Rails Kit - 1930ES (Includes Items 102-116)	K



# SECTION 4 - PLATFORM

## FIGURE 4-4. RAIL INSTALLATION - 2030ES/2630ES



## SECTION 4 - PLATFORM

**FIGURE 4-4. RAIL INSTALLATION - 2030ES/2630ES**

ITEM	PART NUMBER	QTY	DESCRIPTION	REV
		Ref	<b>RAIL INSTALLATION - 2030ES/2630ES</b>	
	0274944	Ref	<b>Rails with Gate Closure</b>	D
	0274943	Ref	<b>Rails with Chain Closure</b>	D
1	0630565	12	Bolt, Carriage M10 x 55mm	
4		Ref	Rail Assembly Options (See Items 302-332 for Breakdown):	
4	2902493	1	Rails with Gate Closure	
4	2902492	1	Rails with Chain Closure	
6	3290606	2	Capnut M6	
7	3291005	12	Locknut M10	
8	3520072	4	Cap-Plug	
9	3841716	2	Rod, Fiberglass	
10	4010616	2	Screw M6 x 40mm	
11	4812000	12	Flatwasher M10	
	0274944	Ref	<b>GATE CLOSURE COMPONENTS</b>	D
		Ref	<b>Note: For Australian Spec Machines with magnetic gate latch, See SPECIAL OPTIONS SECTION for Breakdown.</b>	
102	2080040	8	Fastener, Huck	
103	2600281	2	Hinge	
105	3080007	1	Magnet, Gate	
	0274943	Ref	<b>CHAIN CLOSURE COMPONENTS</b>	D
202	1260136	1.67 ft /51cm	Chain (was 2ft/61cm)	
203	2820097	1.58 ft /49cm	Cover, Chain (was 2ft/61cm)	
205	2940064	NLA	Snap Latch Repair Kit (Use p/n 1001101076) (Includes Item 206)	
206	3010088	2	Link	
		Ref	<b>RAIL ASSEMBLY - 2030ES/2630ES</b>	
	2902493	Ref	<b>Rails with Gate Closure</b>	N
	2902492	Ref	<b>Rails with Chain Closure</b>	N
302	2560191	2	Handle, Extension	
303	3576932	1	Plate, Billboard (Upper)	
304	3574184	1	Plate, Billboard (Lower)	
305	3641614	1	Rail, Upright (Left Rear)	
306	3641615	1	Rail, Upright (Right Rear)	
307	3641616	1	Rail, Side (Left)	
308	3641617	1	Rail, Side (Right)	
309	3641618	2	Rail, Platform (Top)	
310	3641619	1	Rail, Extension (Top)	
311	3641620	1	Rail, Extension (Mid)	
312	3641621	1	Rail, Slide (Left)	
313	3641622	1	Rail, Slide (Right)	
314	4568667	4	Tube, Folding Post (Platform)	
315	4569404	2	Tube, Folding Post (Extension)	
316	4569319	1	Rail (Rear)	
318	1380132	2	Clip, Gripper	
319	2080040	10	Fastener, Huck	
320	2560088	2	Handle	
321	3290606	20	Capnut M6	
322	3290806	2	Capnut M8	
323	3340612	18 in	Pad, Rail	

## SECTION 4 - PLATFORM

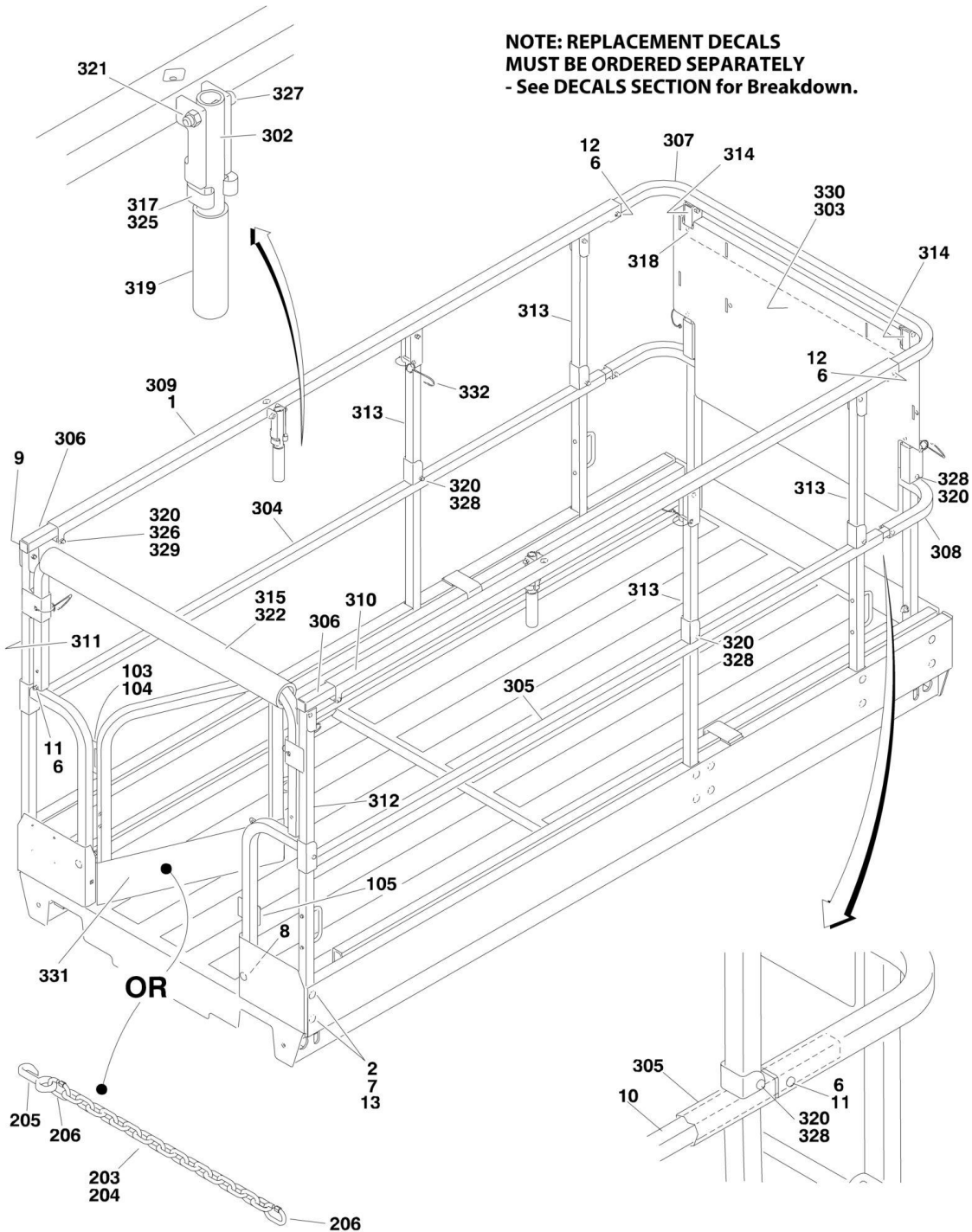
ITEM	PART NUMBER	QTY	DESCRIPTION	REV
		/46cm		
326	3820019	2	Rivet	
327	3860111	2	Roller	
328	3900345	2	Screw M8 x 45mm	
329	4010617	24	Screw M6 x 45mm	
330	4010618	2	Screw M6 x 50mm	
331	4846723	1	Gate (2902493 Assembly Only)	
332	3423278	4	Snap Pin/Lanyard Kit	
	2902494	1	Rails Kit - 2030ES/2630ES (Includes Items 302-316)	Q





# SECTION 4 - PLATFORM

## FIGURE 4-5. RAIL INSTALLATION - 2646ES/3246ES



## SECTION 4 - PLATFORM

**FIGURE 4-5. RAIL INSTALLATION - 2646ES/3246ES**

ITEM	PART NUMBER	QTY	DESCRIPTION	REV
		Ref	<b>RAIL INSTALLATION - 2646ES/3246ES</b>	
	0274932	Ref	<b>Rails with Gate Closure</b>	C
	0274933	Ref	<b>Rails with Chain Closure</b>	C
1		Ref	Rail Assembly Options (See Items 301-332 for Breakdown):	
1	2902490	1	Rails with Gate Closure	
1	2902491	1	Rails with Chain Closure	
2	0630565	18	Bolt, Carriage M10 x 55mm	
6	3290606	2	Capnut M6	
7	3291005	18	Locknut M10	
8	3300477	2	Nut, Acorn	
9	3520072	2	Cap-Plug	
10	3841716	2	Rod, Fiberglass	
11	4010616	3	Screw M6 x 40mm	
12	4010618	3	Screw M6 x 50mm	
13	4812000	18	Flatwasher M10	
	0274932	Ref	<b>GATE CLOSURE COMPONENTS</b>	C
		Ref	<b>Note: For Australian Spec Machines with magnetic gate latch, See SPECIAL OPTIONS SECTION for Breakdown.</b>	
103	2080040	8	Fastener, Huck	
104	2600281	2	Hinge	
105	3080007	1	Magnet, Gate	
	0274933	Ref	<b>CHAIN CLOSURE COMPONENTS</b>	C
203	1260136	1.75 ft /53cm	Chain (was 2ft/61cm)	
204	2820097	1.67 ft /51cm	Cover, Chain (was 2ft/61cm)	
205	2940064	NLA	Snap Latch Repair Kit (Use p/n 1001101076) (Includes Item 206)	
206	3010088	2	Link	
		Ref	<b>RAIL ASSEMBLY - 2030ES/2630ES</b>	
	2902490	Ref	<b>Rails with Gate Closure</b>	M
	2902491	Ref	<b>Rails with Chain Closure</b>	L
302	2560191	2	Handle, Extension	
303	3576646	1	Plate, Billboard	
304	3641607	1	Rail, Side (Left Lower)	
305	3641608	1	Rail, Side (Right Lower)	
306	3641609	2	Rail, Platform (Top)	
307	3641610	1	Rail, Extension (Top)	
308	3641611	1	Rail, Extension (Mid)	
309	3641612	1	Rail, Slide (Left)	
310	3641613	1	Rail, Slide (Right)	
311	3641614	1	Rail, Side (Left Rear)	
312	3641615	1	Rail, Side (Right Rear)	
313	4568667	4	Tube, Folding Post (Platform)	
314	4569404	2	Tube, Folding Post (Extension)	
315	4569310	1	Rail (Rear)	
317	1380132	2	Clip, Gripper	
318	2080040	6	Fastener, Huck	
319	2560088	2	Handle	
320	3290606	18	Capnut M6	
321	3290806	2	Capnut M8	

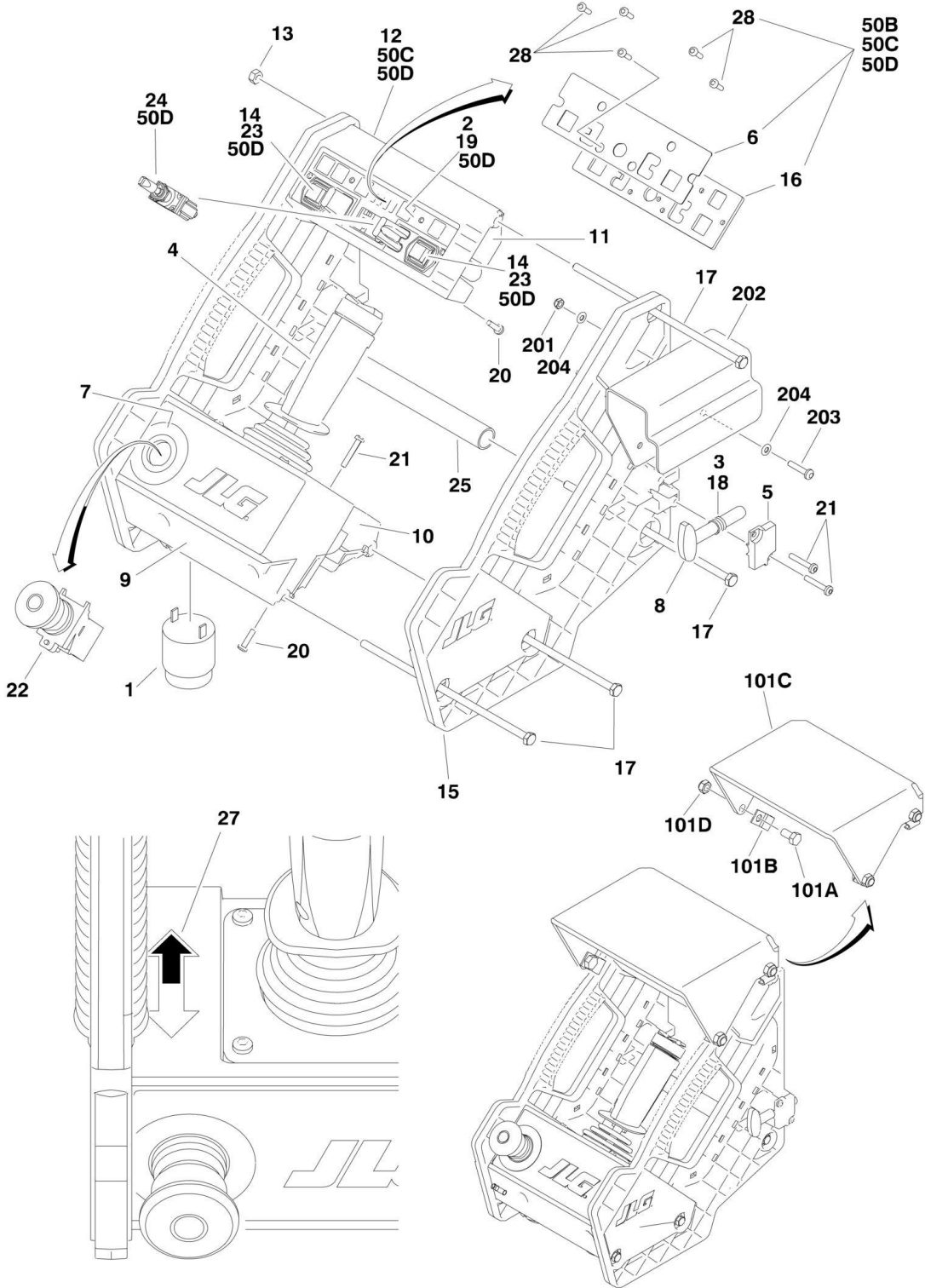
## SECTION 4 - PLATFORM

ITEM	PART NUMBER	QTY	DESCRIPTION	REV
322	3340612	18 in /46cm	Pad, Rail	
325	3820019	2	Rivet	
326	3860111	2	Roller	
327	3900345	2	Screw M8 x 45mm	
328	4010617	24	Screw M6 x 45mm	
329	4010618	2	Screw M6 x 50mm	
330	4420037	AR	Tape, Insulation	
331	4846723	1	Gate (2902490 Assembly Only)	
332	3423278	4	Snap Pin/Lanyard Kit	
	2902489	1	Rails Kit - 2646ES/3246ES (Includes Items 302-315)	P



# SECTION 4 - PLATFORM

## FIGURE 4-6. PLATFORM CONSOLE BOX INSTALLATION



## SECTION 4 - PLATFORM

**FIGURE 4-6. PLATFORM CONSOLE BOX INSTALLATION**

ITEM	PART NUMBER	QTY	DESCRIPTION	REV
		Ref	<b>CONSOLE BOX ASSEMBLY</b>	
	1001091153	Ref	<b>All Specs except Australian and CE Spec</b>	I
	1001091153	Ref	<b>Australian Spec USA Built Machines (SN 0200198014 through 0200211630)</b>	I
	1001091153	Ref	<b>Australian Spec China Built Machines (SN B200000100 through B200007192)</b>	I
	1001091154	Ref	<b>Australian Spec USA Built Machines 1930ES/2646ES/3246ES (SN 0200211631 through 0200239381)</b>	H
	1001091154	Ref	<b>Australian Spec USA Built Machines 2030ES/2630ES (SN 0200211631 to Present)</b>	H
	1001091154	Ref	<b>Australian Spec China Built Machines 1930ES/2646ES/3246ES (SN B200007193 through B200020296)</b>	H
	1001091154	Ref	<b>Australian Spec China Built Machines 2030ES/2630ES (SN B200007193 to Present)</b>	H
	1001091154	Ref	<b>CE Spec</b>	H
1	0140011	1	Alarm	
2	1600439	NLA	Platform Box Control Module (Use Item 50D)	
3	1380156	1	E-Clip	
4	1600402	NLA	Drive/Steer Controller Assembly (Use p/n 1001134438) (See DRIVE/STEER CONTROLLER ASSEMBLY for Breakdown)	
5	1671098	1	Latch	
6		Ref	Decal - Icon Options:	
6	1001091272	1	Decal - Icon All Specs except Australian and CE Spec	
6	1001091272	1	Decal - Icon Australian Spec USA Built Machines ( <b>SN 0200198014 through 0200211630</b> )	
6	1001091272	1	Decal - Icon Australian Spec China Built Machines ( <b>SN B200000100 through B200007192</b> )	
6	1001091275	1	Decal - Icon Australian Spec USA Built Machines 1930ES/2646ES/3246ES ( <b>SN 0200211631 through 0200239381</b> )	
6	1001091275	1	Decal - Icon Australian Spec USA Built Machines 2030ES/2630ES ( <b>SN 0200211631 to Present</b> )	
6	1001091275	1	Decal - Icon Australian Spec China Built Machines 1930ES/2646ES/3246ES ( <b>SN B200007193 through B200020296</b> )	
6	1001091275	1	Decal - Icon Australian Spec China Built Machines 2030ES/2630ES ( <b>SN B200007193 to Present</b> )	
6	1001091275	1	Decal - Icon CE Spec	
7	1705676	1	Decal - Emergency Stop Ring	
8	2560179	1	Handle, Latch	
9	1001091277	1	Housing, Joystick (Lower)	
10	1001091278	1	Mount, Joystick	
11	2760115	NLA	Housing, Module Mounting (Lower) (Use p/n 1001091279)	
12	1001091280	1	Housing, Module Mounting (Upper)	
13	3300473	4	Nut M6	
14	3340968	2	Button (Includes Black Button Only)	
15	3380475	2	Panel, Side	
16	See Note	1	Plate, Decal (Note: Use Item 50B, 50C or 50D)	
17	3900333	4	Screw M6 x 190mm	
18	4160203	1	Spring, Compression	
19	4191306	5	Screw M3.5 x 12mm	
20	4191407	8	Screw M4 x 16mm	
21	4191409	6	Screw M4 x 25mm	

## SECTION 4 - PLATFORM

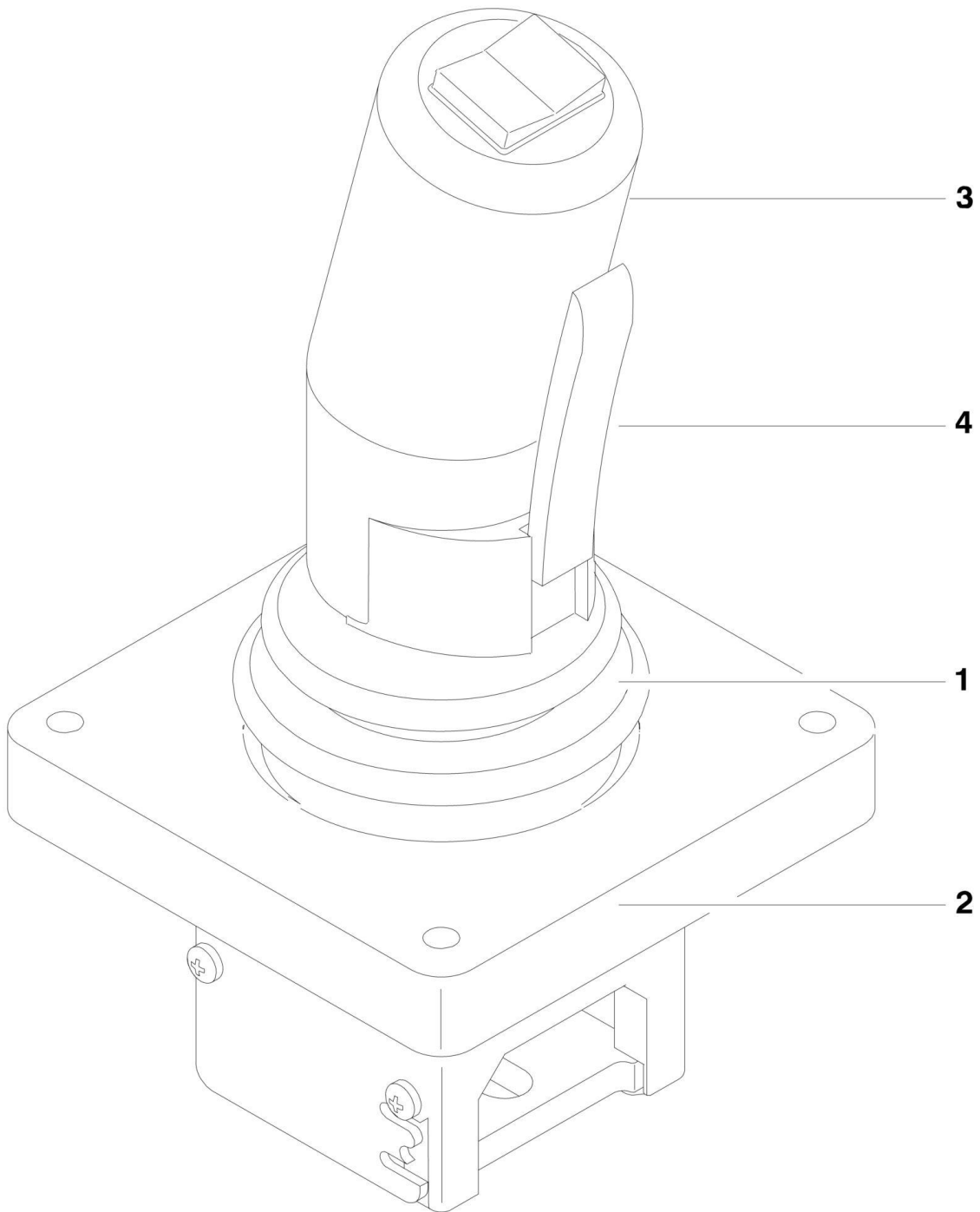
ITEM	PART NUMBER	QTY	DESCRIPTION	REV
22	4360475	1	Switch, Emergency Stop	
22	7020175	1	Cap	
22	7020176	1	Block, Contact	
23	4360538	2	Strip, Switch and Membrane	
24	4360539	1	Switch, Toggle	
25	4568738	1	Tube, Spacer	
26	4922870	1	Harness, Platform Box (Not Shown - See ELECTRICAL SECTION for Breakdown)	
27	1703819	1	Decal - Directional Arrow	
28	1001091396	6	Screw M3.5 x 12mm	
50		Ref	Kit Options:	
50B	1001091968	1	Decal Kit (Includes Items 6, 16 & 28) (Note: Two Item 6's are included in the kit - 1 for All Specs except CE and 1 for CE Specs. For Australian Spec refer to Item 6 for decal usage. Use decal required for applicable spec. Dispose of the decal not used)	A
50C	1001091393	1	Decal and Housing Kit (Includes Items 6, 12, 16 & 28) (Note: Two Item 6's are included in the kit - 1 for All Specs except CE and 1 for CE Specs. For Australian Spec refer to Item 6 for decal usage. Use decal required for applicable spec. Dispose of the decal not used)	C
50D	1001091965	1	Decal, Housing and PC Board Kit (Includes Items 2, 6, 12, 14, 16, 19, 23, 24 & 28) (Note: Two Item 6's are included in the kit - 1 for All Specs except CE and 1 for CE Specs. For Australian Spec refer to Item 6 for decal usage. Use decal required for applicable spec. Dispose of the decal not used)	C
	0272878	Ref	<b>ANTI-VANDELISM PACKAGE INSTALLATION (NOT SHOWN)</b>	E
	1671131	1	Cover, Lockable Platform Console Box	
		Ref	<b>PLATFORM BOX COVER INSTALLATION</b>	
	0273841	Ref	<b>USA Built Machines (SN 0200152825 through 0200202717)</b>	A-C
	1001118216	Ref	<b>USA Built Machines (SN 0200202718 through 0200198014)</b>	B
	1001118216	Ref	<b>All Belgium Machines</b>	A-C
	0273841	Ref	<b>China Machines (SN B200000100 through B200001526)</b>	A-C
101		Ref	Kit, Platform Box Shield Options:	
101	0273841	NLA	USA Built Machines (Use p/n 1001118215) <b>(SN 0200152825 through 0200202717)</b>	
101	1001118215		All Belgium Machines	
101	0273841	NLA	China Machines (Use p/n 1001118215) <b>(SN B200000100 through B200001526)</b>	
101	1001118215		USA Built Machines <b>(SN 0200202718 through 0200198014)</b>	
101A	0760808	4	Bolt M8 x 16mm	
101B	1380159	4	Clip, Cover Mounting	
101C	See Note	NSS	Cover, Platform Box (Note: Use Item 101)	
101D	3290805	4	Locknut M8	
	0274386	Ref	<b>PLATFORM BOX HANGER INSTALLATION (OPTIONAL)</b>	C
201	3290405	2	Locknut M4	
202	3575794	1	Plate, Bracket	
203	3900338	2	Screw M4 x 20mm	
204	4811400	4	Flatwasher M4	





## SECTION 4 - PLATFORM

FIGURE 4-7. DRIVE/STEER CONTROLLER ASSEMBLY



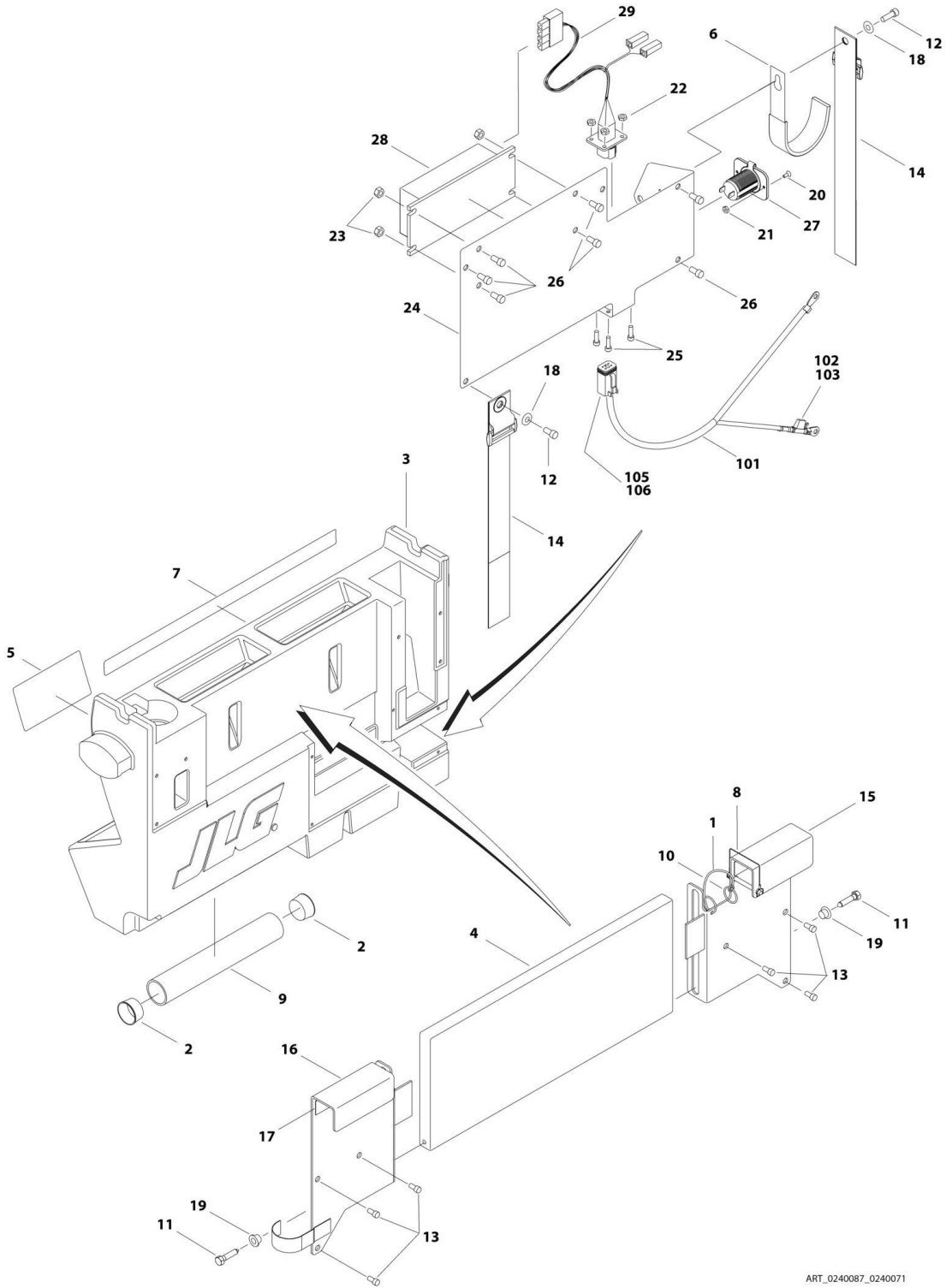
## SECTION 4 - PLATFORM

**FIGURE 4-7. DRIVE/STEER CONTROLLER ASSEMBLY**

ITEM	PART NUMBER	QTY	DESCRIPTION	REV
	1600402	Ref	<b>DRIVE/STEER CONTROLLER ASSEMBLY</b>	A
	See Note	Ref	<b>Note: Use p/n 1001134438 as replacement</b>	
1	70001250	1	Boot, Panel	
2	70001252	1	Gasket, Mounting	
2	70001251	1	Bezel, Mounting	
3	70003650	1	Handle Repair Kit (Includes handle gasket, Item #4 push button and Item #4 lever installed in front handle half, back handle half, top actuator, boot and hardware)	
3	70000084	1	Cap, Rubber	
3	70000082	1	Microswitch	
3	7027766	1	Ring, Retaining	
3	7027365	1	Actuator, Handle	
3	70001253	1	Gasket, Handle	
3	70000683	4	Washer, Neoprene	
3	70000685	2	Spacer, Plastic	
3	70000686	2	Screw (Top)	
3	70000684	2	Screw (Bottom)	
4	7027367	1	Switch, Push button	
4	7027765	1	Lever, Enable	

# SECTION 4 - PLATFORM

## FIGURE 4-8. WORKSTATION INSTALLATIONS



ART\_0240087\_0240071

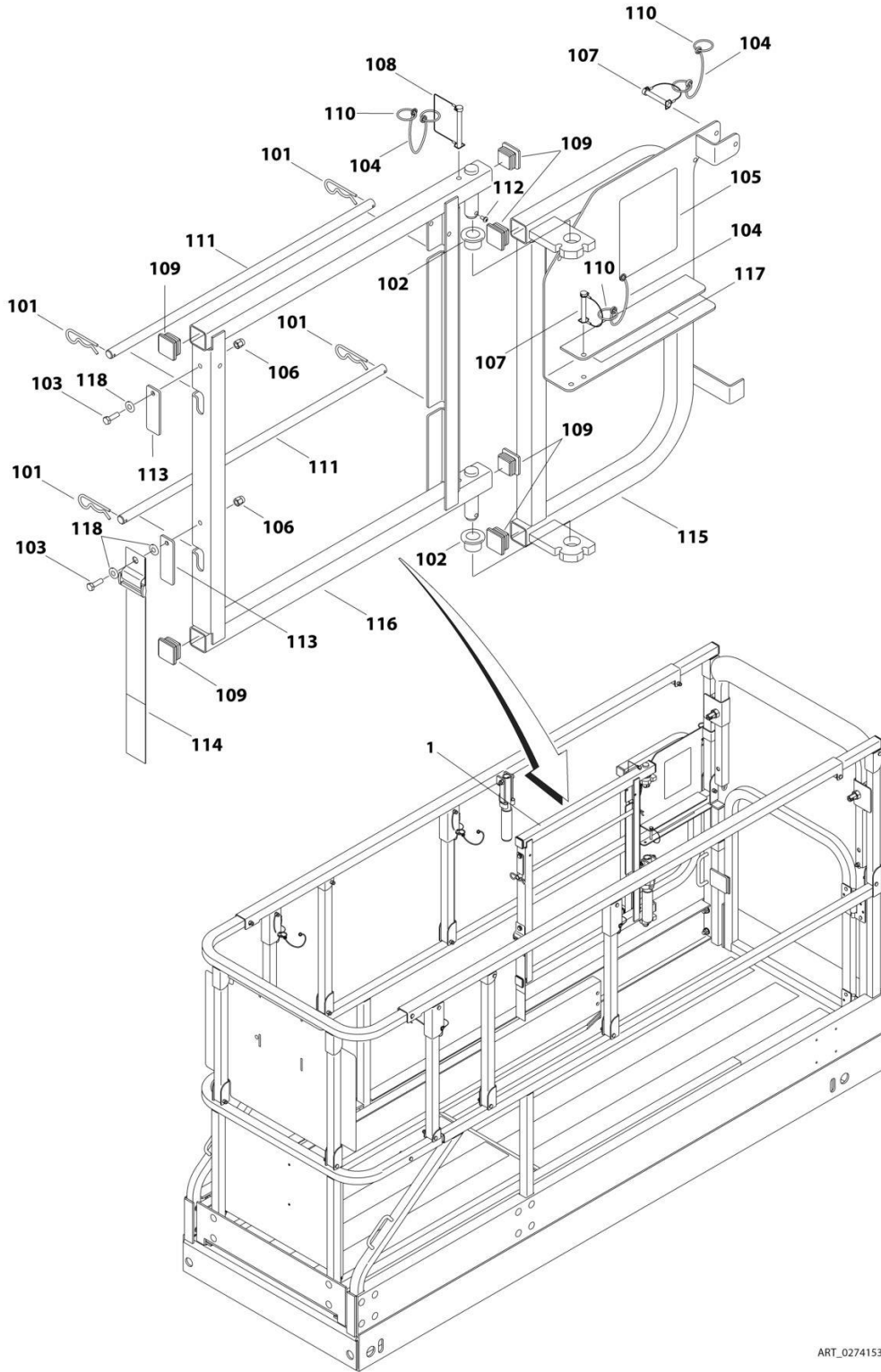
## SECTION 4 - PLATFORM

**FIGURE 4-8. WORKSTATION INSTALLATIONS**

ITEM	PART NUMBER	QTY	DESCRIPTION	REV
		Ref	<b>WORKSTATION INSTALLATIONS</b>	
	0240087	Ref	<b>Workstation W/O DC Converter</b>	C
	0240071	Ref	<b>Workstation W/DC Converter</b>	D
1	1060379	1	Cable, Lanyard	
2	1120555	2	Cap, Manual Storage	
3	1580023	1	Container	
4	1580024	1	Tray	
5	1705997	1	Decal – Workstation	
6	2700100	1	Hook, Hanger	
7	2902348	1	Decal – Workstation Kit	
8	3422219	1	Pin	
9	3460334	1	PVC Pipe	
10	3760170	2	Ring	
11	3900355	2	Screw 5/16 x 1-1/2	
12	3931412	2	Bolt 1/4 x 3/4	
13	3931508	6	Bolt 5/16 x 1/2	
14	4240003	2	Strap	
15	4340853	1	Mount, RH Channel	
16	4340854	1	Mount, LH Channel	
17	4420062	3 ft/0.9m	Tape	
18	4711400	2	Washer 1/4	
19	4740480	2	Insert, Plastic	
20	0740603	2	Screw #6 x 3/4 (Workstation W/DC Converter Only)	
21	3310601	2	Nut #6 (Workstation W/DC Converter Only)	
22	3311005	4	Locknut #10 (Workstation W/DC Converter Only)	
23	3311405	1	Locknut 1/4 (Workstation W/DC Converter Only)	
24	3380527	1	Panel, Converter/Receptacle (Workstation W/DC Converter Only)	
25	3931010	4	Bolt #10 x 5/8 (Workstation W/DC Converter Only)	
26	3931408	1	Bolt 1/4 x 1/2 (Workstation W/DC Converter Only)	
27	4461012	1	Receptacle (Workstation W/DC Converter Only)	
28	4530026	1	Transformer (Workstation W/DC Converter Only)	
29	4923121	1	Harness, Workstation (Workstation W/DC Converter Only)	
29	4460885	1	Connector – 4 Position	
29	4460464	4	Pin	
29	4460878	1	Connector – 4 Position	
29	4460887	4	Terminal	
		Ref	<b>WORKSTATION POWER CABLE INSTALLATIONS</b>	
	4923114	Ref	<b>1930ES/2030ES</b>	B
	4923115	Ref	<b>2630ES/2646ES/3246ES</b>	B
101	1060331	60 ft/18.3m	Electrical Cable – 16/4 (1930ES/2030ES)	
101	1060331	70 ft/21.3m	Electrical Cable – 16/4 (2630ES/2646ES/3246ES)	
102	2400061	1	Fuse – 10 Amp	
103	2400066	1	Holder, Fuse	
105	4460465	4	Socket, Female	
106	4460884	1	Connector – 4 Position	

# SECTION 4 - PLATFORM

## FIGURE 4-9. PACKAGE INSTALLATION (1930ES/2030ES/2630ES)



ART\_0274153

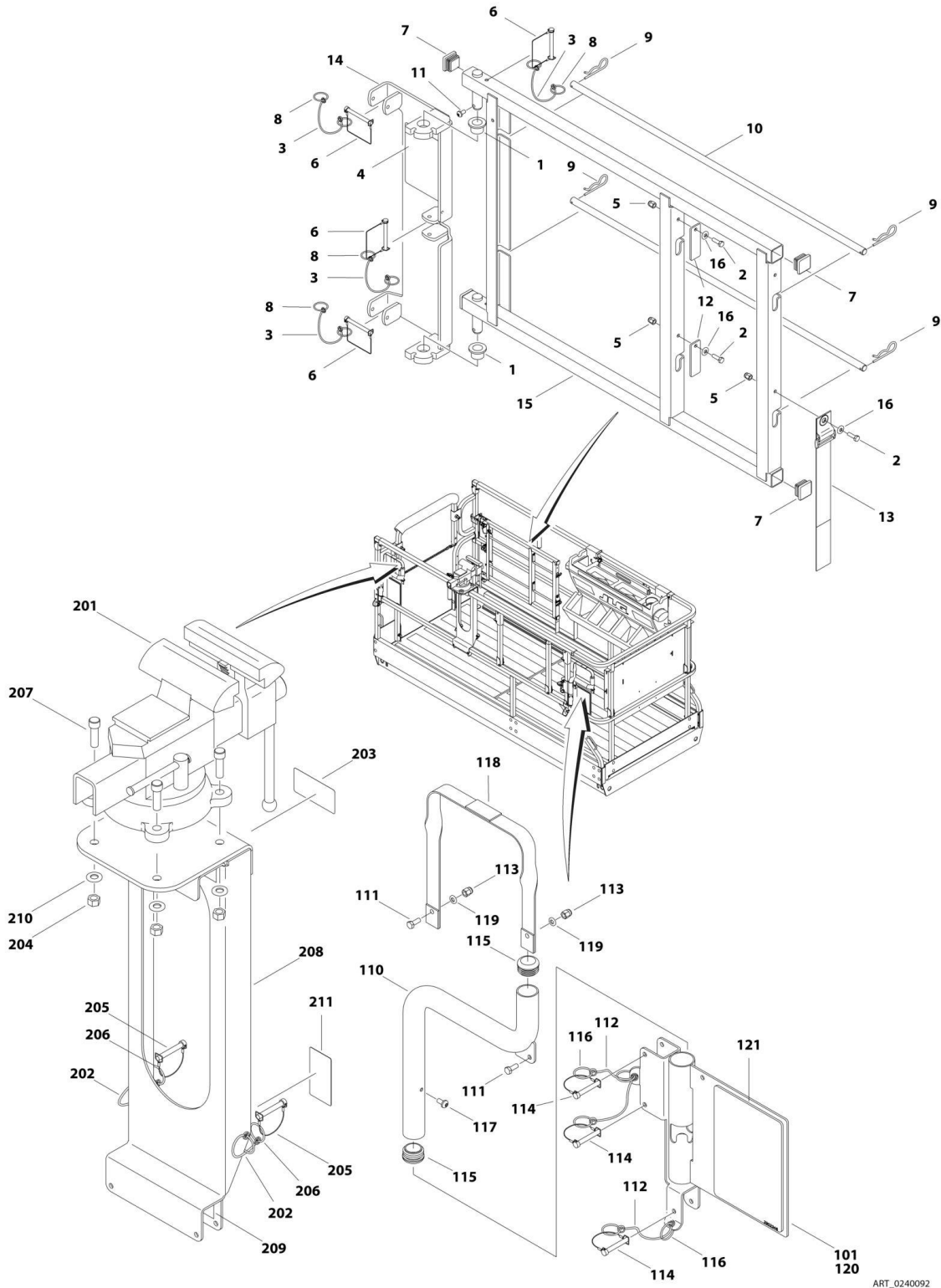
## SECTION 4 - PLATFORM

**FIGURE 4-9. PACKAGE INSTALLATION (1930ES/2030ES/2630ES)**

ITEM	PART NUMBER	QTY	DESCRIPTION	REV
	0274153	Ref	<b>ELECTRICIAN'S TREE INSTALLATION (1930ES/2030ES/2630ES)</b>	B
1	0240102	1	Electrician's Tree (See Items 101-118 for Breakdown)	
	0240102	Ref	<b>ELECTRICIAN'S TREE</b>	B
101	80325	4	Hairpin, Cotter	
102	0440223	2	Bushing	
103	0700610	3	Bolt M6 x 20	
104	1060379	3	Cable, Lanyard	
105	2902386	1	Decal – Electrician's Tree Kit	
106	3290606	3	Nut M6	
107	3421453	2	Pin	
108	3422219	1	Pin	
109	3520072	6	Plug	
110	3760170	5	Ring	
111	3841675	2	Rod, Spool	
112	4191706	1	Screw M6 x 12	
113	4220227	2	Stop, Spool Rod	
114	4240003	1	Strap	
115	4340946	1	Mount, Base Pivot	
116	4340947	1	Mount, Spool Rack	
117	4420062	1	Tape, UHMW	
118	4711400	3	Washer 1/4	

# SECTION 4 - PLATFORM

## FIGURE 4-10. PACKAGE INSTALLATION (2646ES/3246ES)





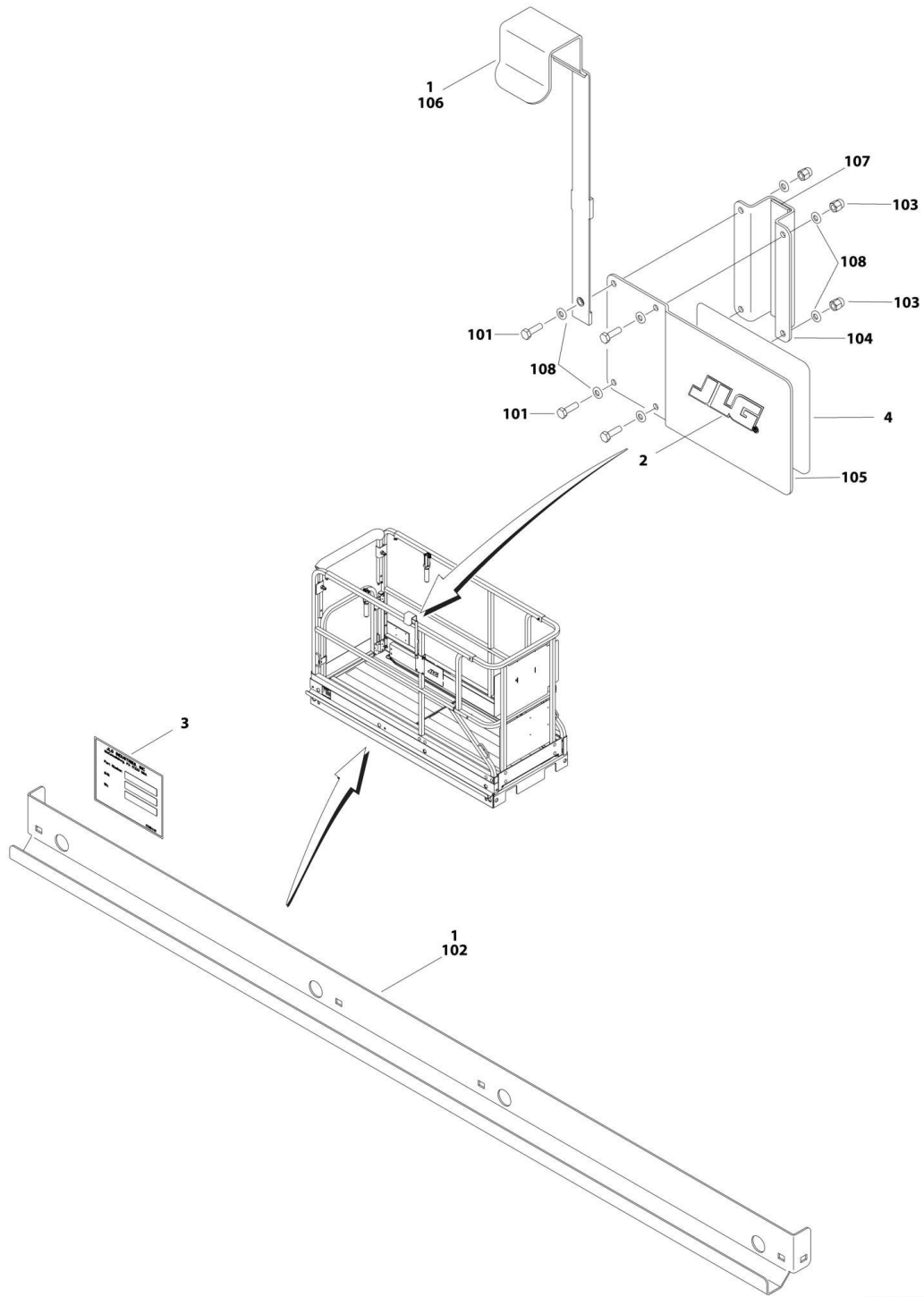
## SECTION 4 - PLATFORM

**FIGURE 4-10. PACKAGE INSTALLATION (2646ES/3246ES)**

ITEM	PART NUMBER	QTY	DESCRIPTION	REV
	1001102549	Ref	<b>ACCESSORY, INSTALLATIONS (ELECTRICAL PACKAGE) (2646ES/3246ES)</b>	A
1	0440223	2	Bushing	
2	0700610	3	Bolt M6 x 20	
3	1060379	4	Cable, Lanyard	
4	2902347	1	Decal – Electrician's Tree Kit	
5	3290606	3	Nut M6	
6	3422219	4	Pin	
7	3520072	4	Plug	
8	3760170	8	Ring	
9	80325	4	Hairpin, Cotter	
10	3841667	2	Rod, Spool	
11	4191706	1	Screw M6 x 12	
12	4220227	2	Stop, Spool Rod	
13	4240003	1	Strap	
14	1001102516	1	Mount, Base Pivot	
15	1001102562	1	Mount, Spool Rack	
16	4711400	3	Washer 1/4	
	1001092074	Ref	<b>ACCESSORY, PIPE RACK INSTALLATIONS (ELECTRICAL, PLUMBERS AND PLANT PACKAGES)</b>	C
101	1001092073	1	Accessory, Pipe Rack Tube (See Items 110-121 for Breakdown)	
	1001092073	Ref	<b>ACCESSORY, PIPE RACK ASSEMBLIES (ELECTRICAL, PLUMBERS AND PLANT PACKAGES)</b>	B
110	0240054	1	Accessory, Pipe Rack Tube	
111	0700608	2	Bolt M6 x 16	
112	1060379	3	Cable, Lanyard	
113	3290606	2	Nut M6	
114	3421453	3	Pin	
115	3520176	2	Plug	
116	3760170	5	Ring	
117	4191706	1	Screw M6 x 12	
118	4240164	1	Strap	
119	4811700	4	Washer M6	
120	4846876	1	Pipe Rack	
121	1001092072	2	Decal – Capacity Pipe Rack Kit	
	0240093	Ref	<b>ACCESSORY, VISE (ELECTRICAL, PLUMBERS AND PLANT PACKAGES)</b>	B
201	0240088	1	Vise	
202	1060379	2	Cable, Lanyard	
203	1705985	1	Decal – Weight	
204	3311605	4	Nut 3/8-16	
205	3421453	2	Pin	
206	3760170	4	Ring	
207	3931620	4	Bolt 3/8 x 1-1/4	
208	4340911	1	Mount	
209	4420062	3 ft/0.9m	Tape, UHMW	
210	4711600	4	Washer 3/8	
211	8005670	1	Decal – Instruction Read Operators Manual	

# SECTION 4 - PLATFORM

## FIGURE 4-11. PANEL INSTALLATIONS



ART\_0273436

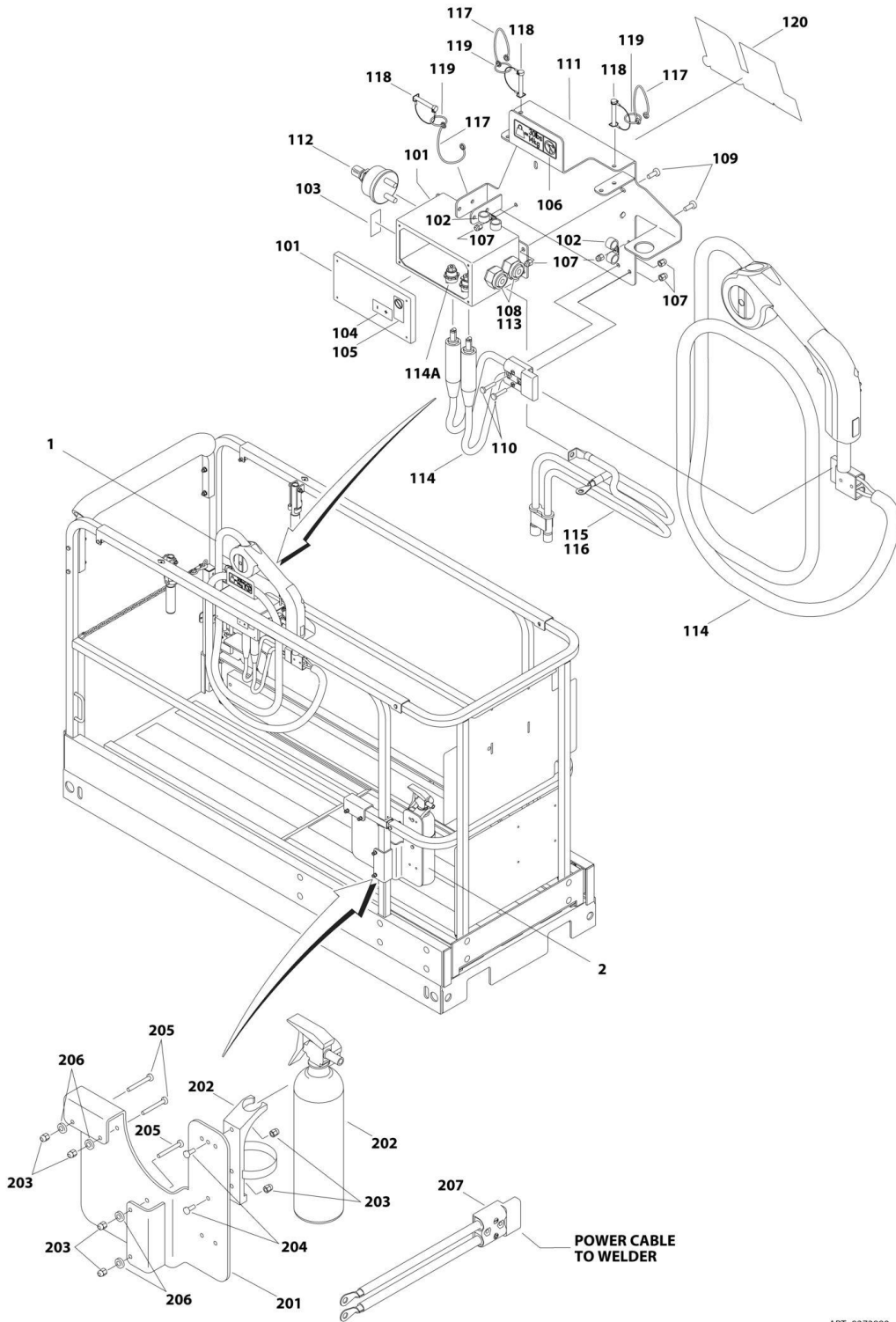
## SECTION 4 - PLATFORM

### FIGURE 4-11. PANEL INSTALLATIONS

ITEM	PART NUMBER	QTY	DESCRIPTION	REV
		Ref	<b>PANEL CARRIER INSTALLATIONS</b>	
		Ref	<b>2030ES/2630ES Options</b>	
	0275006	Ref	<b>ANSI and ANSI Export Specs</b>	B
	0275007	Ref	<b>Australian, CE and Japan Specs</b>	B
		Ref	<b>2646ES/3246ES Options</b>	
	0274980	Ref	<b>ANSI and ANSI Export Specs</b>	A
	0274981	Ref	<b>Australian, CE and Japan Specs</b>	A
		Ref	Attach, Panel Carrier Options: (See Items 101-108 for Breakdown)	
1	0240144	1	2030ES/2630ES	
1	0240142	1	2646ES/3246ES	
2	1702010	1	Decal – JLG	
3	See Note	1	Nameplate (Note: Not Available for Purchase)	
4		Ref	Decal – Capacity Options:	
4	1001095299	1	2030ES/2630ES (ANSI and ANSI Export Specs)	
4	1001095300	1	2030ES/2630ES (Australian, CE and Japan Specs)	
4	1705792	1	2646ES/3246ES (ANSI and ANSI Export Specs)	
4	1705793	1	2646ES/3246ES (Australian, CE and Japan Specs)	
		Ref	<b>PANEL CARRIER ATTACHMENTS</b>	
	0240144	Ref	<b>2030ES/2630ES</b>	C
	0240142	Ref	<b>2646ES/3246ES</b>	C
101	0760610	4	Bolt M6 x 20	
102		Ref	Channel Options:	
102	1271631	1	2030ES/2630ES	
102	1271630	1	2646ES/3246ES	
103	3290606	4	Nut M6	
104	3574505	1	Plate, Bracket	
105	3574506	1	Plate, Bracket	
106	4240165	1	Strap, Tie Down	
107	4420037	AR	Tape, Insulation	
108	4811700	8	Washer, M6	

# SECTION 4 - PLATFORM

## FIGURE 4-12. QUIK WELDER INSTALLATION



ART\_0272880

## SECTION 4 - PLATFORM

### FIGURE 4-12. QUIK WELDER INSTALLATION

ITEM	PART NUMBER	QTY	DESCRIPTION	REV
		Ref	<b>QUIK WELDER INSTALLATIONS</b>	
	0272879	Ref	<b>1930ES</b>	D
	0272880	Ref	<b>2030ES</b>	D
	0272881	Ref	<b>2630ES</b>	D
	0272882	Ref	<b>2646ES/3246ES</b>	D
1	2902334	1	Kit, Quik Welder (See Items 101-120 for Breakdown)	
2		Ref	Quik Welder Ready Installations (See Items 201-204 for	
2	0275072	1	1930ES	
2	0275073	1	2030ES	
2	0275074	1	2630ES	
2	0275075	1	2646ES/3246ES	
	2902334	Ref	<b>QUIK WELDER KIT</b>	C
101	0861527	1	Box, Welder Disconnect	
102	1320224	4	Clamp	
103	1705213	1	Decal – On/Off	
104	1705214	1	Decal – Plus/Minus	
105	1705305	1	Decal – Weld Lead	
106	1705953	1	Decal – Weight	
107	3290606	8	Nut M6	
108	3300048	2	Nut 3/4	
109	4010608	6	Screw M6 x 16	
110	4010614	2	Screw M6 x 30	
111	4340938	1	Mount, Quik Welder	
112	4360155	1	Switch, Master Disconnect	
113	4460328	2	Terminal, Connector	
114	4530021	1	Welder	
114A	7027303	2	Connector, Female	
115	4923048	1	Cable, Quik Welder Assembly	
116	1060957	1	Cable, Welder	
117	1060379	3	Cable, Lanyard	
118	3421453	3	Pin	
119	3760170	3	Ring	
120	1705754	1	Decal - JLG	
		Ref	<b>QUIK WELDER READY INSTALLATIONS</b>	
	0275072	Ref	<b>1930ES</b>	B
	0275073	Ref	<b>2030ES</b>	B
	0275074	Ref	<b>2630ES</b>	B
	0275075	Ref	<b>2646ES/3246ES</b>	B
201	0903416	1	Bracket, Fire Extinguisher Mount	
202	2030010	1	Extinguisher, Fire	
203	3290606	6	Nut M6	
204	4010608	2	Screw M6 x 16	
205	4010618	4	Screw M6 x 50	
206	4811700	4	Washer M6	
207		Ref	Cable, Quik Welder Power Options:	
207	4923049	1	1930ES	
207	4923050	1	2030ES	
207	4923051	1	2630ES	
207	4923052	1	2646ES/3246ES	

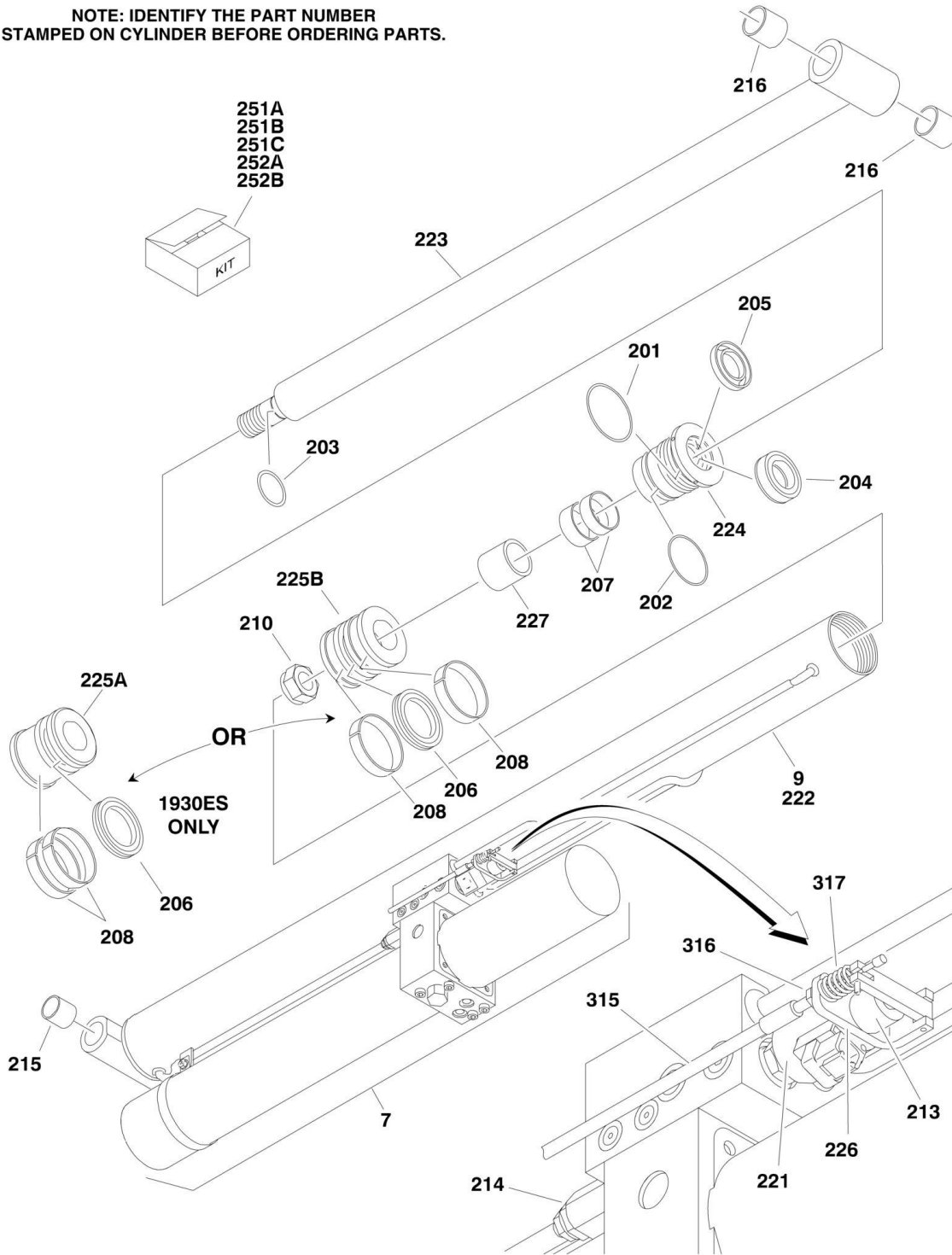


**SECTION 5 - CYLINDER**

# SECTION 5 - CYLINDER

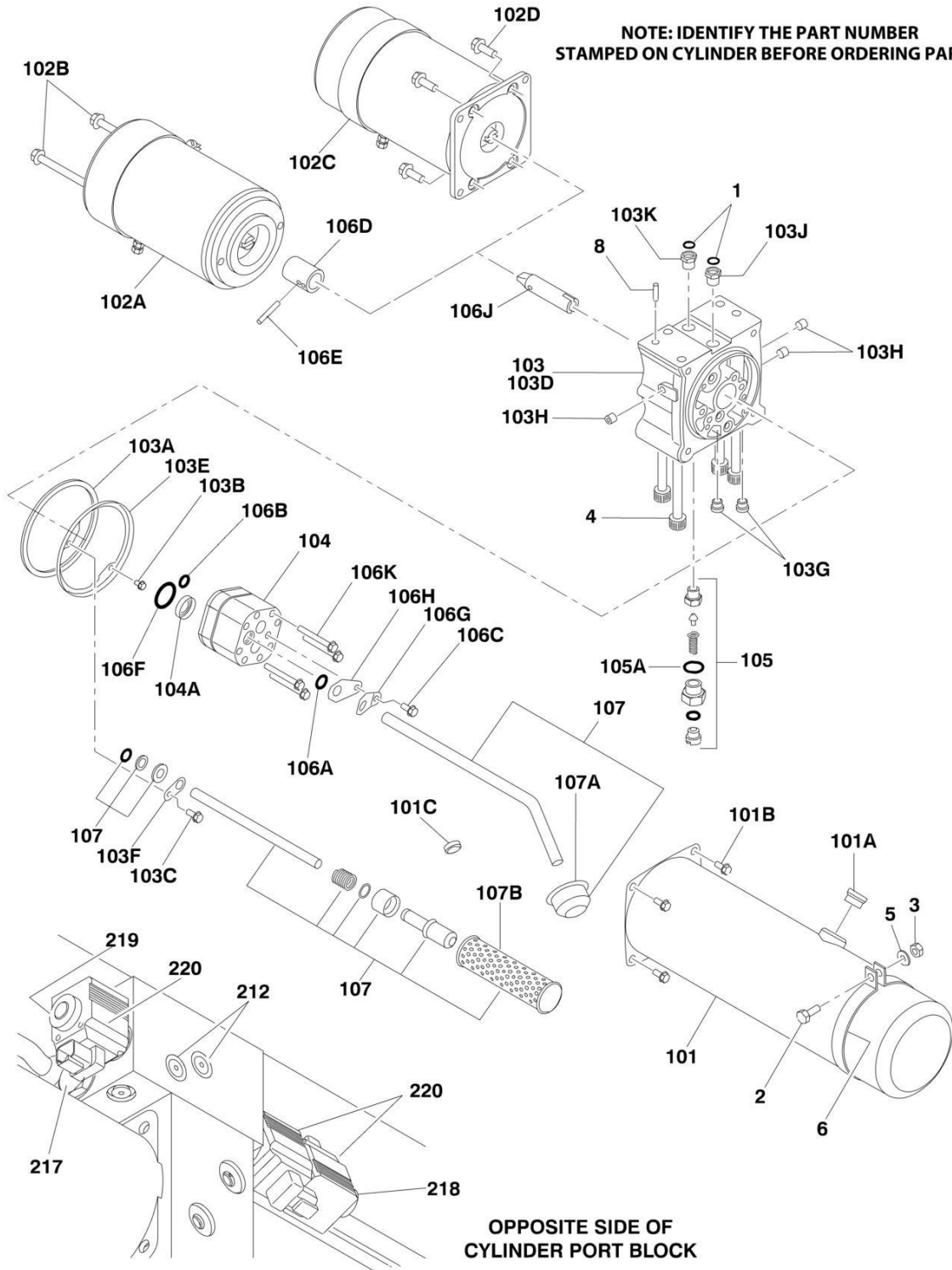
## FIGURE 5-1. LIFT CYLINDER ASSEMBLY (TEXAS HYDRAULICS)

NOTE: IDENTIFY THE PART NUMBER  
STAMPED ON CYLINDER BEFORE ORDERING PARTS.





# SECTION 5 - CYLINDER



# SECTION 5 - CYLINDER

## FIGURE 5-1. LIFT CYLINDER ASSEMBLY (TEXAS HYDRAULICS)

ITEM	PART NUMBER	QTY	DESCRIPTION	REV
		Ref	<b>LIFT CYLINDER ASSEMBLY (TEXAS HYDRAULIC)</b>	
	1684484	Ref	<b>Lift Cylinder Assembly 1930ES with Standard Hydraulic Oil</b>	H
	1684526	Ref	<b>Lift Cylinder Assembly 1930ES with Biodegradeable Hydraulic Oil</b>	G
	1684487	Ref	<b>Lift Cylinder Assembly 2030ES with Standard Hydraulic Oil</b>	H
	1684527	Ref	<b>Lift Cylinder Assembly 2030ES with Biodegradeable Hydraulic Oil</b>	G
	1684488	Ref	<b>Lift Cylinder Assembly 2630ES with Standard Hydraulic Oil</b>	H
	1684528	Ref	<b>Lift Cylinder Assembly 2630ES with Biodegradeable Hydraulic Oil</b>	G
	1684489	Ref	<b>Lift Cylinder Assembly 2646ES with Standard Hydraulic Oil</b>	H
	1684529	Ref	<b>Lift Cylinder Assembly 2646ES with Biodegradeable Hydraulic Oil</b>	G
	1684490	Ref	<b>Lift Cylinder Assembly 3246ES with Standard Hydraulic Oil</b>	H
	1684530	Ref	<b>Lift Cylinder Assembly 3246ES with Biodegradeable Hydraulic Oil</b>	G
1	7023577	2	O-Ring	
2	See Note	NSS	Capscrew (All except 1930ES Models) (Note: Purchase Locally)	
3	See Note	NSS	Locknut (All except 1930ES Models) (Note: Purchase Locally)	
4	7023589	4	Capscrew	
5	See Note	NSS	Flatwasher (All except 1930ES Models) (Note: Purchase Locally)	
6	7023539	1	Clamp (All except 1930ES Models)	
7		Ref	Power Pack Assembly - Complete Options (See Items 101-107B for Breakdown):	
7	7023558	1	Power Pack Assembly - Complete 1930ES	
7	7023549	1	Power Pack Assembly - Complete 2030ES	
7	7023568	1	Power Pack Assembly - Complete 2630ES	
7	7023557	1	Power Pack Assembly - Complete 2646ES	
7	7023535	1	Power Pack Assembly - Complete 3246ES	
8	70003646	2	Pin, Dowel	
8	70003645	2	Roll Pin	
9	See Note	NSS	Cylinder Assembly Only (Note: See Items 201-227 for Breakdown)	
		Ref	<b>POWER PACK ASSEMBLY - COMPLETE</b>	
	7023558	Ref	<b>Power Pack Assembly - Complete 1930ES (1684484/1684526 Cylinders)</b>	
	7023549	Ref	<b>Power Pack Assembly - Complete 2030ES (1684487/1684527 Cylinders)</b>	
	7023568	Ref	<b>Power Pack Assembly - Complete 2630ES (1684488/1684528 Cylinders)</b>	
	7023557	Ref	<b>Power Pack Assembly - Complete 2646ES (1684489/1684529 Cylinders)</b>	
	7023535	Ref	<b>Power Pack Assembly - Complete 3246ES (1684490/1684530 Cylinders)</b>	
101		Ref	Tank Kit Options (Note: Includes Tank and Items 101A-101C):	
101	7023569	1	Tank Kit 1930ES	
101	7023587	1	Tank Kit 2030ES	
101	7023585	1	Tank Kit 2630ES	
101	7023578	1	Tank Kit 2646ES	
101	7023583	1	Tank Kit 3246ES	
101A	7023593	1	Plug, Fill	
101B	See Note	NSS	Screw (Note: Use Item 101)	

## SECTION 5 - CYLINDER

ITEM	PART NUMBER	QTY	DESCRIPTION	REV
101C	See Note	NSS	Magnet (Note: Use Item 101)	
102		Ref	Motor Options:	
102A	7023570	1	Motor 1930ES/2030ES/2630ES Motor	
102A	70000658	1	Brush Kit - 7023570 Motor	
102B	See Note	NSS	Screw (Note: Purchase Locally)	
102C	7023579	1	Motor 2646ES/3246ES Motor	
102C	70000659	1	Brush Kit - 7023579 Motor	
102D	See Note	NSS	Bolt M8 x 22 (Note: Purchase Locally or Use Item 106J)	
102D	See Note	NSS	Washer (Note: Purchase Locally or Use Item 106J)	
103	7023571	1	Adapter Kit	
103A	70000335	1	O-Ring	
103B	See Note	NSS	Screw (Note: Use Item 103)	
103C	See Note	NSS	Screw (Note: Use Item 103)	
103D	See Note	NSS	Adapter (Note: Use Item 103)	
103E	See Note	NSS	Seal (Note: Use Item 252A or 252B)	
103F	See Note	NSS	Retainer (Note: Use Item 103)	
103G	2220883	2	Plug	
103H	See Note	NSS	Plug (Note: Use Item 103)	
103J	See Note	NSS	Breather 9/16in-12UNC (Note: Use Item 103)	
103K	See Note	NSS	Breather 9/16in-18SAE (Note: Use Item 103)	
104		Ref	Pump Options: (Note: Shaft Seal is only Repair Part Available. No Other Service Parts Available - Replace Complete Pump)	
104	7023572	1	Pump 1930ES/2630ES Pump	
104	7023588	1	Pump 2030ES Pump	
104	7023580	1	Pump 2646ES/3246ES Pump	
104A	See Note	1	Seal, Shaft (Note: Use Item 252A or 252B)	
105	7023573	1	Relief Valve Assembly	
105A	7023591	1	Sealing Washer	
106		Ref	Power Pack Miscellaneous Service Parts	
106A	See Note	NLA	Seal (Note: Use Item 106J)	
106B	See Note	NSS	Seal (Note: Use Item 106J, 252A or 252B)	
106C	See Note	NLA	Screw (Note: Use Item 106J)	
106D	See Note	NSS	Sleeve (1930ES/2030ES/2630ES Only) (Note: Use Item 106J)	
106E	See Note	NSS	Roll Pin (1930ES/2030ES/2630ES Only) (Note: Use Item 106J)	
106F	See Note	NSS	Seal (Note: Use Item 106J, 252A or 252B)	
106G	See Note	NLA	Tab, Locking (Note: Use Item 106J)	
106H	See Note	NLA	Retainer, Tube (Note: Use Item 106J)	
106J		Ref	Coupler Kit Options:	
106J	7023574	1	Coupler Kit 1930ES/2030ES/2630ES (Includes Items 106A-106K)	
106J	7023581	1	Coupler Kit 2646ES/3246ES (Includes Items 106A-106K)	
106K	See Note	NSS	Bolt - 1930ES/2030ES/2630ES (Note: Use Item 106J)	
106K	See Note	NSS	Stud M8 x 110 - 2646ES/3246ES (Note: Use Item 106J)	
106K	See Note	NSS	Washer - 2646ES/3246ES (Note: Use Item 106J)	
106K	See Note	NSS	Nut M8 - 2646ES/3246ES (Note: Use Item 106J)	
107		Ref	Tube Kit Options:	
107	7023575	1	Tube Kit 1930ES	
107	7023586	1	Tube Kit 2030ES/2630ES	
107	7023582	1	Tube Kit 2646ES	
107	7023584	1	Tube Kit 3246ES	
107A	See Note	NSS	Strainer (Note: Use Item 107)	

## SECTION 5 - CYLINDER

ITEM	PART NUMBER	QTY	DESCRIPTION	REV
107B	7023576	1	Filter Element (Includes Seal)	
		Ref	<b>CYLINDER ASSEMBLY ONLY COMPONENTS</b>	
201	See Note	NSS	O-Ring (Note: Use Item 251A or 251B)	
202	See Note	NSS	O-Ring (Note: Use Item 251A or 251B)	
203	See Note	NSS	O-Ring (Note: Use Item 251A or 251B)	
204	See Note	NSS	Seal (Note: Use Item 251A or 251B)	
205	See Note	NSS	Wiper (Note: Use Item 251A or 251B)	
206	See Note	NSS	Seal (Note: Use Item 251A or 251B) (Note: This is a 3 piece seal. Assembly may be required)	
207	See Note	NSS	Ring, Wear (Note: Use Item 251A or 251B)	
208	See Note	NSS	Ring, Wear (Note: Use Item 251A or 251B)	
210	See Note	NSS	Locknut (Note: Purchase Complete Assembly)	
211	2220883	4	Plug, Steel (SAE #4) (Not Shown)	
212	2220882	8	Plug, Steel (SAE #3)	
213	7023543	1	Valve, Proportional (Lift Down)	
214	7023542	1	Valve, Relief (Steer)	
215		Ref	Bushing Options:	
215	0962257	2	Bushing 1930ES/2030ES/2630ES	
215	0962006	2	Bushing 2646ES/3246ES	
216		Ref	Bushing Options:	
216	0962257	2	Bushing 1930ES/2030ES/2630ES	
216	0962181	2	Bushing 2646ES/3246ES	
217	7023538	1	Valve, Check	
218	7023537	1	Directional Control Valve (Steer)	
219	7023536	1	Directional Control Valve (Lift Up)	
220	70000798	3	Coil (Steer and Lift Up)	
221	70000799	1	Coil (Lift Down)	
222		Ref	Barrel Options:	
222	7023553	1	Barrel 1930ES	
222	7023548	1	Barrel 2030ES/2630ES	
222	7023556	1	Barrel 2646ES	
222	7023534	1	Barrel 3246ES	
223		Ref	Rod Options:	
223	7023552	1	Rod 1930ES	
223	7023547	1	Rod 2030ES/2630ES	
223	7023533	1	Rod 2646ES/3246ES	
224		Ref	Head Options:	
224	7023551	1	Head 1930ES	
224	7023546	1	Head 2030ES/2630ES	
224	7023532	1	Head 2646ES/3246ES	
225		Ref	Piston Options:	
225A	7023550	1	Piston 1930ES	
225B	7023545	1	Piston 2030ES/2630ES	
225B	7023531	1	Piston 2646ES/3246ES	
226	7023530		Emergency Release Assembly	
227		Ref	Spacer Options:	
227	Not Required	0	Spacer 1930ES/2646ES	
227	7023529	1	Spacer 3246ES	
		Ref	<b>SEAL KIT OPTIONS</b>	
251		Ref	Seal Kit - Cylinder Options (Includes Items 201-208):	
251A	7023554	1	Seal Kit - Cylinder 1930ES	
251B	7023544	1	Seal Kit - Cylinder 2030ES/2630ES	

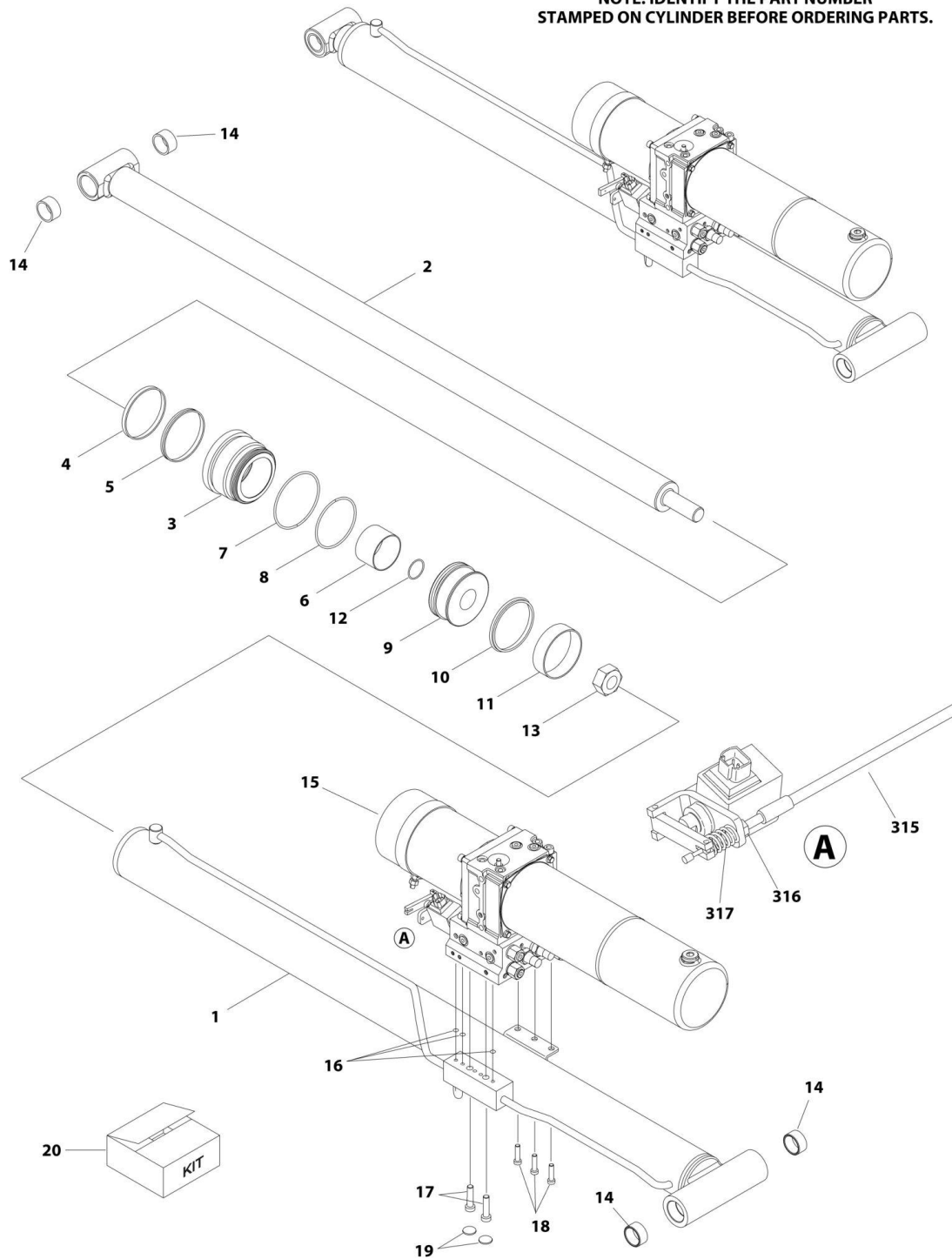
## SECTION 5 - CYLINDER

ITEM	PART NUMBER	QTY	DESCRIPTION	REV
251C	7023528	1	Seal Kit - Cylinder 2646ES/3246ES	
252		Ref	Seal Kit - Reservoir/Pump Options (Includes 103A, 103E, 104A, 106B & 106F):	
252A	70001709	1	Seal Kit 1930ES/2030ES/2630ES	
252B	70001982	1	Seal Kit 2646ES/3246ES	
		Ref	<b>MANUAL DESCENT COMPONENTS</b>	
	0274874	Ref	<b>Manual Descent Components 1930ES with Standard Hydraulic Oil</b>	G
	0275692	Ref	<b>Manual Descent Components 1930ES with Biodegradeable Hydraulic Oil</b>	E
	0275016	Ref	<b>Manual Descent Components 2030ES with Standard Hydraulic Oil</b>	G
	0275693	Ref	<b>Manual Descent Components 2030ES with Biodegradeable Hydraulic Oil</b>	E
	0275017	Ref	<b>Manual Descent Components 2630ES with Standard Hydraulic Oil</b>	G
	0275694	Ref	<b>Manual Descent Components 2630ES with Biodegradeable Hydraulic Oil</b>	E
	0274881	Ref	<b>Manual Descent Components 2646ES with Standard Hydraulic Oil</b>	F
	0275695	Ref	<b>Manual Descent Components 2646ES with Biodegradeable Hydraulic Oil</b>	E
	0274879	Ref	<b>Manual Descent Components 3246ES with Standard Hydraulic Oil</b>	F
	0275696	Ref	<b>Manual Descent Components 3246ES with Biodegradeable Hydraulic Oil</b>	E
315		Ref	Cable, Pull Options:	
315	1061036	1	Cable, Pull 1930ES - 9ft/2.74m Length	
315	1061034	1	Cable, Pull 2030ES/2630ES - 12.5ft/3.81m Length	
315	1061034	1	Cable, Pull 2646ES/3246ES - 12.5ft/3.81m Length	
315	7020218	1	T-Handle (With 1/4in-20 Threads)	
315	70001878	1	T-Handle (With 5mm Threads)	
316	3321402	1	Nut, Jam 1/4in-18NF	
317	4160078	1	Spring	

# SECTION 5 - CYLINDER

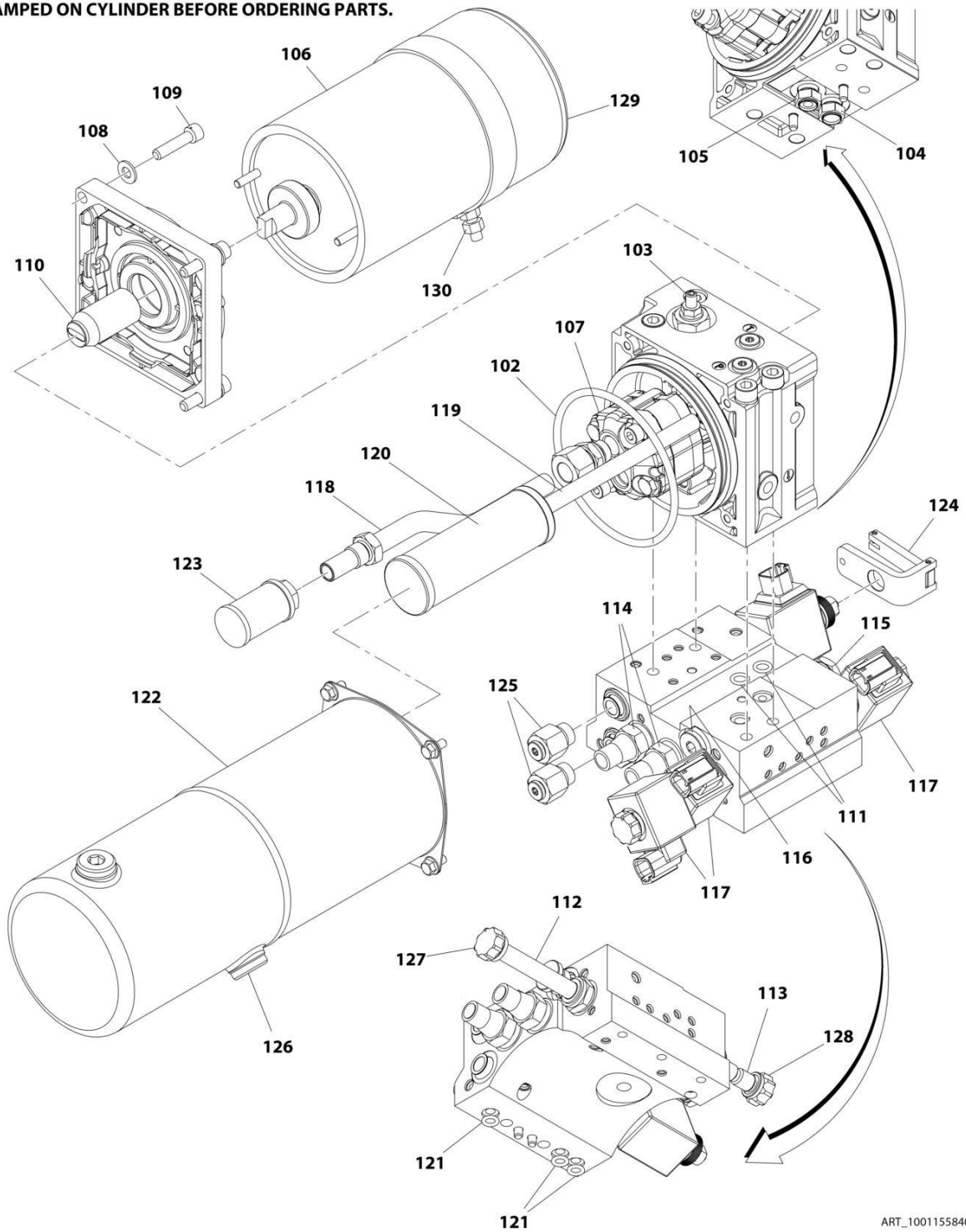
## FIGURE 5-2. LIFT CYLINDER ASSEMBLY (SH-PAC)

NOTE: IDENTIFY THE PART NUMBER  
STAMPED ON CYLINDER BEFORE ORDERING PARTS.



# SECTION 5 - CYLINDER

**NOTE: IDENTIFY THE PART NUMBER  
STAMPED ON CYLINDER BEFORE ORDERING PARTS.**



ART\_1001155840\_2

# SECTION 5 - CYLINDER

## FIGURE 5-2. LIFT CYLINDER ASSEMBLY (SH-PAC)

ITEM	PART NUMBER	QTY	DESCRIPTION	REV
		Ref	<b>LIFT CYLINDER ASSEMBLY (SH-PAC)</b>	
	1001129288	Ref	<b>Lift Cylinder Assembly 1930ES with Standard Hydraulic Oil</b>	E
	1001131033	Ref	<b>Lift Cylinder Assembly 1930ES with Biodegradeable Hydraulic Oil</b>	E
	1001129289	Ref	<b>Lift Cylinder Assembly 2030ES with Standard Hydraulic Oil</b>	E
	1001131034	Ref	<b>Lift Cylinder Assembly 2030ES with Biodegradeable Hydraulic Oil</b>	E
	1001129290	Ref	<b>Lift Cylinder Assembly 2630ES with Standard Hydraulic Oil</b>	E
	1001131035	Ref	<b>Lift Cylinder Assembly 2630ES with Biodegradeable Hydraulic Oil</b>	E
	1001129291	Ref	<b>Lift Cylinder Assembly 2646ES with Standard Hydraulic Oil</b>	D
	1001131036	Ref	<b>Lift Cylinder Assembly 2646ES with Biodegradeable Hydraulic Oil</b>	E
	1001129292	Ref	<b>Lift Cylinder Assembly 3246ES with Standard Hydraulic Oil</b>	E
	1001131037	Ref	<b>Lift Cylinder Assembly 3246ES with Biodegradeable Hydraulic Oil</b>	E
1	70004620	1	Barrel - 1930ES	
1	70004628	1	Barrel - 2030ES/2630ES	
1	70004634	1	Barrel - 2646ES	
1	70004641	1	Barrel - 3246ES	
2	70004621	1	Rod - 1930ES	
2	70004629	1	Rod - 2030ES/2630ES	
2	70004635	1	Rod - 2646ES/3246ES	
3	70004622	1	Head, Cylinder - 1930ES	
3	70004630	1	Head, Cylinder - 2030ES/2630ES	
3	70004636	1	Head, Cylinder - 2646ES/3246ES	
4	See Note	NSS	Seal, Dust (Note: Use Item 20)	
5	See Note	NSS	Seal (Note: Use Item 20)	
6	70004237	1	Bearing - 1930ES	
6	70004631	1	Bearing - 2030ES/2630ES	
6	70004637	1	Bearing - 22646ES/3246ES	
7	See Note	NSS	O-Ring (Note: Use Item 20)	
8	See Note	NSS	O-Ring (Note: Use Item 20)	
9	70004623	1	Piston - 1930ES	
9	70004632	1	Piston - 2030ES/2630ES	
9	70004638	1	Piston - 2646ES/3246ES	
10	See Note	NSS	Seal (Note: Use Item 20)	
11	See Note	NSS	Ring, Wear (Note: Use Item 20)	
12	See Note	NSS	O-Ring (Note: Use Item 20)	
13	70003663	1	Nut	
14	0962257	4	Bushing - 1930ES/2030ES/2630ES	
14	0962181	2	Bushing (Rod End) - 2646ES/3246ES	
14	0962006	2	Bushing (Barrel End) - 2646ES/3246ES	
15		Ref	Motor/Pump/Tank Assembly Options (See Items 102-121 for Breakdown):	
15	70004938	1	Motor/Pump/Tank Assembly - 1930ES	
15	70004943	1	Motor/Pump/Tank Assembly - 2030ES	
15	70004945	1	Motor/Pump/Tank Assembly - 2630ES	
15	70004949	1	Motor/Pump/Tank Assembly - 2646ES	
15	70004953	1	Motor/Pump/Tank Assembly - 3246ES	
16	See Note	1	O-Ring (Note: Use Item 20)	



## SECTION 5 - CYLINDER

ITEM	PART NUMBER	QTY	DESCRIPTION	REV
17	70004624	2	Capscrew M10 x 40 - 1930ES/2030ES/2630ES	
17	70004639	2	Capscrew M10 x 50 - 2646ES/3246ES	
18	70004625	3	Capscrew M8 x 20	
19	70004626	2	Plug, Extension	
20		Ref	Seal Kit - Cylinder Options (Includes Items 4, 5, 7, 8, 10, 11, 12 & 16):	
20	70004627	1	Seal Kit - 1930ES	
20	70004633	1	Seal Kit - 2030ES/2630ES	
20	70004640	1	Seal Kit - Cylinder - 2646ES/3246ES	
		Ref	<b>MOTOR/PUMP/TANK ASSEMBLIES</b>	
	70004938	Ref	<b>Motor/Pump/Tank Assembly - 1930ES</b>	
	70004943	Ref	<b>Motor/Pump/Tank Assembly - 2030ES</b>	
	70004945	Ref	<b>Motor/Pump/Tank Assembly - 2630ES</b>	
	70004949	Ref	<b>Motor/Pump/Tank Assembly - 2646ES</b>	
	70004953	Ref	<b>Motor/Pump/Tank Assembly - 3246ES</b>	
102	70004914	1	O-Ring	
103	70004915	1	Cartridge, Valve (Main Relief)	
104	70004916	1	Cartridge, Valve (Breather Vacuum Check)	
105	70004917	1	Cartridge, Valve (Breather Pressure Check)	
106		Ref	Kit, Motor Options (Includes motor, flange and ring):	
106	70004970	1	1930ES/2030ES/2632ES	
106	70004980	1	2646ES/3246ES	
107	70005233	1	Kit, Pump (Includes pump and hardware)	
108	70004974	4	Washer M8	
109	70004975	4	Capscrew M8 x 60	
110	70004973	1	Shaft Coupling	
111	70004925	2	O-Ring	
112	70003028	1	Cartridge, Solenoid Valve Less Coil (Steer)	
113	70004926	1	Cartridge, Solenoid Valve Less Coil (Lift)	
114	70004927	2	Cartridge, Valve (Steer Relief)	
115	70004585	1	Cartridge, Valve (Lift Check)	
116	70004928	1	Filter 300 micron	
117	70003707	3	Coil	
118		Ref	Pipe, Suction Options:	
118	70004932	1	1930ES	
118	70004941	1	2030ES/2632ES	
118	70004947	1	2646ES	
118	70004951	1	3246ES	
119		Ref	Pipe, Return Options:	
119	70004934	1	1930ES	
119	70004942	1	2030ES/2632ES	
119	70004948	1	2646ES	
119	70004952	1	3246ES	
120	70004935	1	Filter, Bypass	
121	70004936	3	O-Ring	
122		Ref	Kit, Tank Options (Includes tank, plug, "o"-ring and screws):	
122	70005234	1	1930ES	
122	70005239	1	2030ES	
122	70005240	1	2632ES	
122	70005241	1	2646ES	
122	70005242	1	3246ES	
123	70005235	1	Kit, Filter (Includes strainer and seal ring)	

## SECTION 5 - CYLINDER

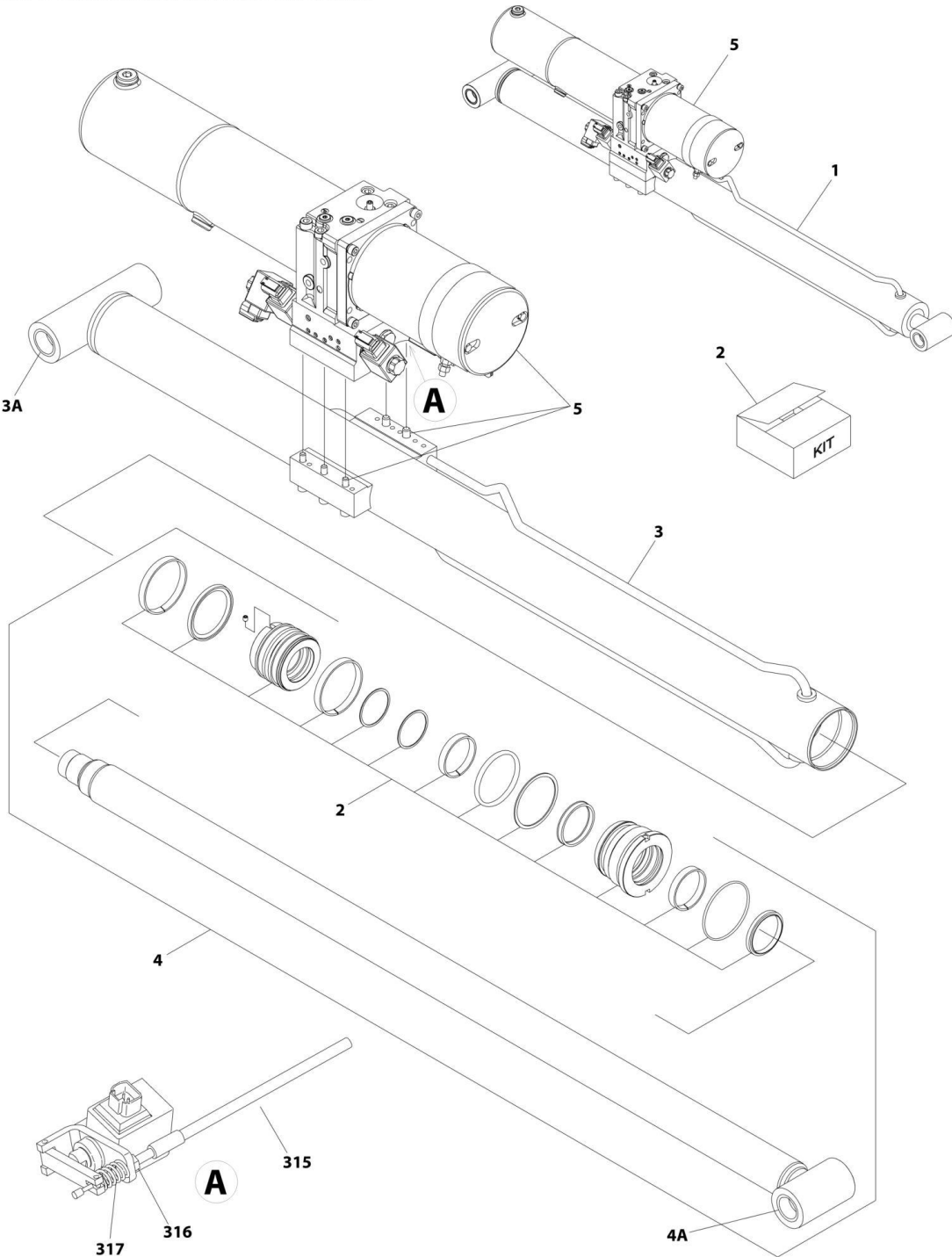
ITEM	PART NUMBER	QTY	DESCRIPTION	REV
124	70005236	1	Kit, Solenoid Valve (Includes solenoid, coil and lever)	
125	70005237	2	Kit, Fitting (Includes adapter, seal washer and plug)	
126	70004921	1	Plug	
127	70004654	1	Nut, Coil (for Item #112)	
128	70005238	1	Nut, Retaining (for Item #113)	
129	70004971	1	Kit, Brush	
130	70004972	1	Nut	
		Ref	<b>MANUAL DESCENT COMPONENTS</b>	
	1001131004	Ref	<b>Manual Descent Components 1930ES with Standard Hydraulic Oil</b>	B
	1001131009	Ref	<b>Manual Descent Components 1930ES with Biodegradeable Hydraulic Oil</b>	B
	1001131005	Ref	<b>Manual Descent Components 2030ES with Standard Hydraulic Oil</b>	D
	1001131010	Ref	<b>Manual Descent Components 2030ES with Biodegradeable Hydraulic Oil</b>	B
	1001131006	Ref	<b>Manual Descent Components 2630ES with Standard Hydraulic Oil</b>	B
	1001131011	Ref	<b>Manual Descent Components 2630ES with Biodegradeable Hydraulic Oil</b>	B
	1001131007	Ref	<b>Manual Descent Components 2646ES with Standard Hydraulic Oil</b>	E
	1001131012	Ref	<b>Manual Descent Components 2646ES with Biodegradeable Hydraulic Oil</b>	B
	1001131008	Ref	<b>Manual Descent Components 3246ES with Standard Hydraulic Oil</b>	B
	1001131013	Ref	<b>Manual Descent Components 3246ES with Biodegradeable Hydraulic Oil</b>	B
315		Ref	Cable, Pull Options:	
315	1061036	1	Cable, Pull 1930ES - 9ft/2.74m Length	
315	1061034	1	Cable, Pull 2030ES/2630ES - 12.5ft/3.81m Length	
315	1061034	1	Cable, Pull 2646ES/3246ES - 12.5ft/3.81m Length	
315	7020218	1	T-Handle (With 1/4in-20 Threads)	
315	70001878	1	T-Handle (With 5mm Threads)	
316	3321402	1	Nut, Jam 1/4in-18NF	
317	4160078	1	Spring	



# SECTION 5 - CYLINDER

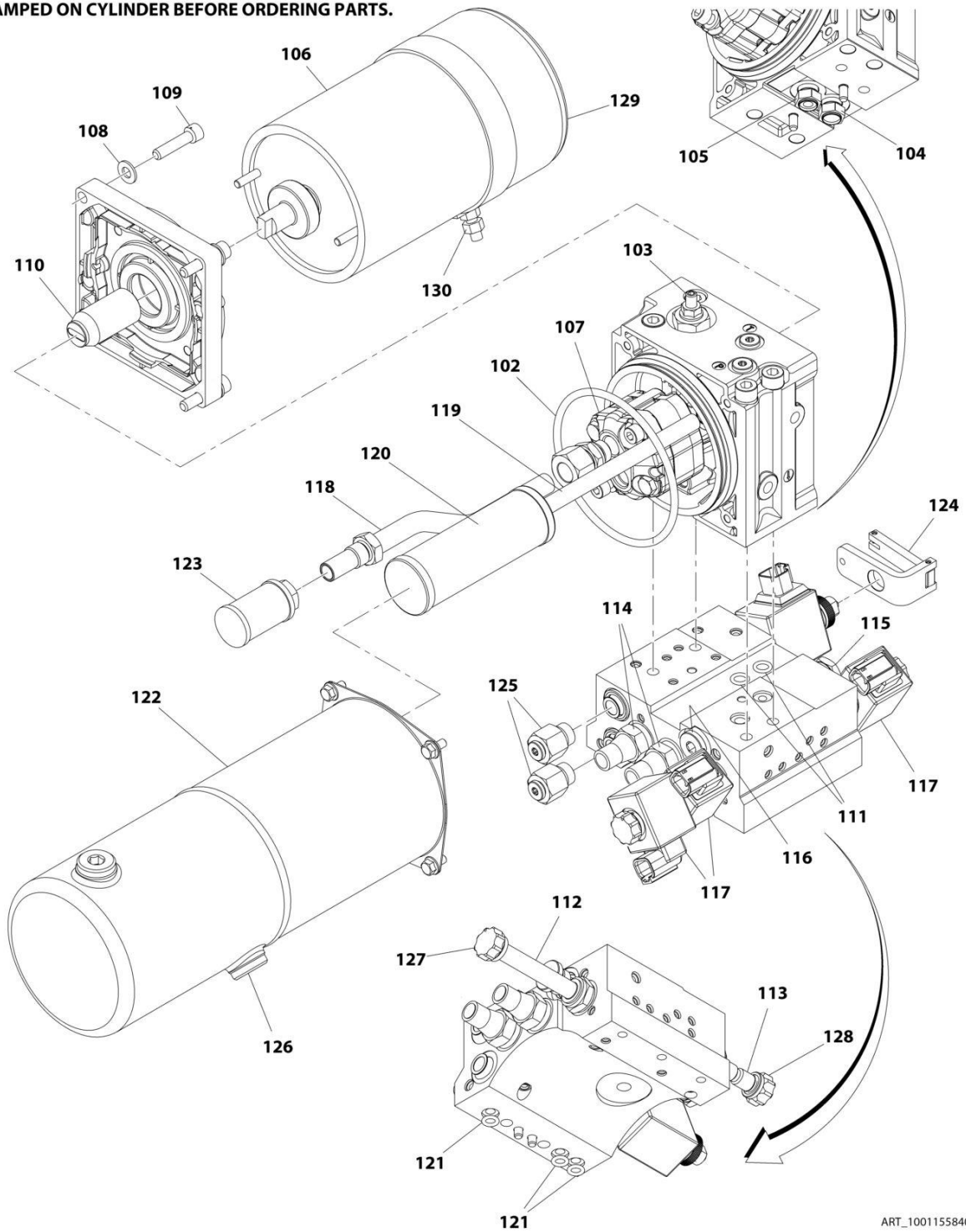
## FIGURE 5-3. LIFT CYLINDER ASSEMBLY (SERTA)

NOTE: IDENTIFY THE PART NUMBER  
STAMPED ON CYLINDER BEFORE ORDERING PARTS.



# SECTION 5 - CYLINDER

**NOTE: IDENTIFY THE PART NUMBER  
STAMPED ON CYLINDER BEFORE ORDERING PARTS.**



ART\_1001155840\_2

# SECTION 5 - CYLINDER

## FIGURE 5-3. LIFT CYLINDER ASSEMBLY (SERTA)

ITEM	PART NUMBER	QTY	DESCRIPTION	REV
		Ref	<b>LIFT CYLINDER ASSEMBLY (SERTA)</b>	
	1001155840	Ref	<b>Lift Cylinder Assembly 1930ES with Standard Hydraulic Oil</b>	C
	1001157329	Ref	<b>Lift Cylinder Assembly 1930ES with Biodegradeable Hydraulic Oil</b>	B
	1001155841	Ref	<b>Lift Cylinder Assembly 2030ES with Standard Hydraulic Oil</b>	C
	1001157330	Ref	<b>Lift Cylinder Assembly 2030ES with Biodegradeable Hydraulic Oil</b>	B
	1001155842	Ref	<b>Lift Cylinder Assembly 2630ES with Standard Hydraulic Oil</b>	C
	1001157331	Ref	<b>Lift Cylinder Assembly 2630ES with Biodegradeable Hydraulic Oil</b>	B
	1001155843	Ref	<b>Lift Cylinder Assembly 2646ES with Standard Hydraulic Oil</b>	B
	1001157332	Ref	<b>Lift Cylinder Assembly 2646ES with Biodegradeable Hydraulic Oil</b>	C
	1001155844	Ref	<b>Lift Cylinder Assembly 3246ES with Standard Hydraulic Oil</b>	B
	1001157333	Ref	<b>Lift Cylinder Assembly 3246ES with Standard Hydraulic Oil</b>	C
1		Ref	Cylinder Assembly Less Powerpack Options:	
1	70004721	1	Cylinder Assembly Less Powerpack - 1930ES	
1	70004725	1	Cylinder Assembly Less Powerpack - 2030ES	
1	70004729	1	Cylinder Assembly Less Powerpack - 2630ES	
1	70004733	1	Cylinder Assembly Less Powerpack - 2646ES	
1	70004737	1	Cylinder Assembly Less Powerpack - 3246ES	
2		Ref	Seal Kit Options:	
2	70004720	1	Seal Kit - 1930ES	
2	70004724	1	Seal Kit - 2030ES	
2	70004728	1	Seal Kit - 2630ES	
2	70004732	1	Seal Kit - 2646ES	
2	70004736	1	Seal Kit - 3246ES	
3		Ref	Barrel Options (Includes Item 3A):	
3	70004719	1	Barrel - 1930ES	
3	70004723	1	Barrel - 2030ES	
3	70004727	1	Barrel - 2630ES	
3	70004731	1	Barrel - 2646ES	
3	70004735	1	Barrel - 3246ES	
3A	0962257	2	Bushing - 1930ES/2030ES/2630ES	
3A	0962006	2	Bushing - 2646ES/3246ES	
4		Ref	Rod Assembly Options (Includes Items 2 & 4A):	
4	700004718	1	Rod - 1930ES	
4	70004722	1	Rod - 2030ES/2630ES	
4	70004730	1	Rod - 2646ES	
4	70004734	1	Rod - 3246ES	
4A	0962257	1	Bushing - 1930ES/2030ES/2630ES	
4A	0962181	2	Bushing - 2646ES/3246ES	
5		Ref	Motor/Pump/Tank Assembly Options (See Items 102-121 for Breakdown):	
5	70004938	1	Motor/Pump/Tank Assembly - 1930ES	
5	70004943	1	Motor/Pump/Tank Assembly - 2030ES	
5	70004945	1	Motor/Pump/Tank Assembly - 2630ES	
5	70004949	1	Motor/Pump/Tank Assembly - 2646ES	
5	70004953	1	Motor/Pump/Tank Assembly - 3246ES	
		Ref	<b>MOTOR/PUMP/TANK ASSEMBLIES</b>	
	70004938	Ref	<b>Motor/Pump/Tank Assembly - 1930ES</b>	

## SECTION 5 - CYLINDER

ITEM	PART NUMBER	QTY	DESCRIPTION	REV
	70004943	Ref	<b>Motor/Pump/Tank Assembly - 2030ES</b>	
	70004945	Ref	<b>Motor/Pump/Tank Assembly - 2630ES</b>	
	70004949	Ref	<b>Motor/Pump/Tank Assembly - 2646ES</b>	
	70004953	Ref	<b>Motor/Pump/Tank Assembly - 3246ES</b>	
102	70004914	1	O-Ring	
103	70004915	1	Cartridge, Valve (Main Relief)	
104	70004916	1	Cartridge, Valve (Breather Vacuum Check)	
105	70004917	1	Cartridge, Valve (Breather Pressure Check)	
106		Ref	Kit, Motor Options (Includes motor, flange and ring):	
106	70004970	1	1930ES/2030ES/2632ES	
106	70004980	1	2646ES/3246ES	
107	70005233	1	Kit, Pump (Includes pump and hardware)	
108	70004974	4	Washer M8	
109	70004975	4	Capscrew M8 x 60	
110	70004973	1	Shaft Coupling	
111	70004925	2	O-Ring	
112	70003028	1	Cartridge, Solenoid Valve Less Coil (Steer)	
113	70004926	1	Cartridge, Solenoid Valve Less Coil (Lift)	
114	70004927	2	Cartridge, Valve (Steer Relief)	
115	70004585	1	Cartridge, Valve (Lift Check)	
116	70004928	1	Filter 300 micron	
117	70003707	3	Coil	
118		Ref	Pipe, Suction Options:	
118	70004932	1	1930ES	
118	70004941	1	2030ES/2632ES	
118	70004947	1	2646ES	
118	70004951	1	3246ES	
119		Ref	Pipe, Return Options:	
119	70004934	1	1930ES	
119	70004942	1	2030ES/2632ES	
119	70004948	1	2646ES	
119	70004952	1	3246ES	
120	70004935	1	Filter, Bypass	
121	70004936	3	O-Ring	
122		Ref	Kit, Tank Options (Includes tank, plug, "o"-ring and screws):	
122	70005234	1	1930ES	
122	70005239	1	2030ES	
122	70005240	1	2632ES	
122	70005241	1	2646ES	
122	70005242	1	3246ES	
123	70005235	1	Kit, Filter (Includes strainer and seal ring)	
124	70005236	1	Kit, Solenoid Valve (Includes solenoid, coil and lever)	
125	70005237	2	Kit, Fitting (Includes adapter, seal washer and plug)	
126	70004921	1	Plug	
127	70004654	1	Nut, Coil (for Item #112)	
128	70005238	1	Nut, Retaining (for Item #113)	
129	70004971	1	Kit, Brush	
130	70004972	1	Nut M8	
		Ref	<b>MANUAL DESCENT COMPONENTS</b>	
	1001157321	Ref	<b>Manual Descent Components 1930ES with Standard Hydraulic Oil</b>	A
	1001157339	Ref	<b>Manual Descent Components 1930ES with Biodegradeable</b>	A

## SECTION 5 - CYLINDER

ITEM	PART NUMBER	QTY	DESCRIPTION	REV
			<b>Hydraulic Oil</b>	
	1001157322	Ref	<b>Manual Descent Components 2030ES with Standard Hydraulic Oil</b>	A
	1001157340	Ref	<b>Manual Descent Components 2030ES with Biodegradeable Hydraulic Oil</b>	A
	1001157323	Ref	<b>Manual Descent Components 2630ES with Standard Hydraulic Oil</b>	A
	1001157336	Ref	<b>Manual Descent Components 2630ES with Biodegradeable Hydraulic Oil</b>	A
	1001157324	Ref	<b>Manual Descent Components 2646ES with Standard Hydraulic Oil</b>	A
	1001157342	Ref	<b>Manual Descent Components 2646ES with Biodegradeable Hydraulic Oil</b>	A
	1001157325	Ref	<b>Manual Descent Components 3246ES with Standard Hydraulic Oil</b>	B
	1001157343	Ref	<b>Manual Descent Components 3246ES with Biodegradeable Hydraulic Oil</b>	A
315		Ref	Cable, Pull Options:	
315	1061036	1	Cable, Pull 1930ES - 9ft/2.74m Length	
315	1061034	1	Cable, Pull 2030ES/2630ES - 12.5ft/3.81m Length	
315	1061034	1	Cable, Pull 2646ES/3246ES - 12.5ft/3.81m Length	
315	7020218	1	T-Handle (With 1/4in-20 Threads)	
315	70001878	1	T-Handle (With 5mm Threads)	
316	3321402	1	Nut, Jam 1/4in-18NF	
317	4160078	1	Spring	

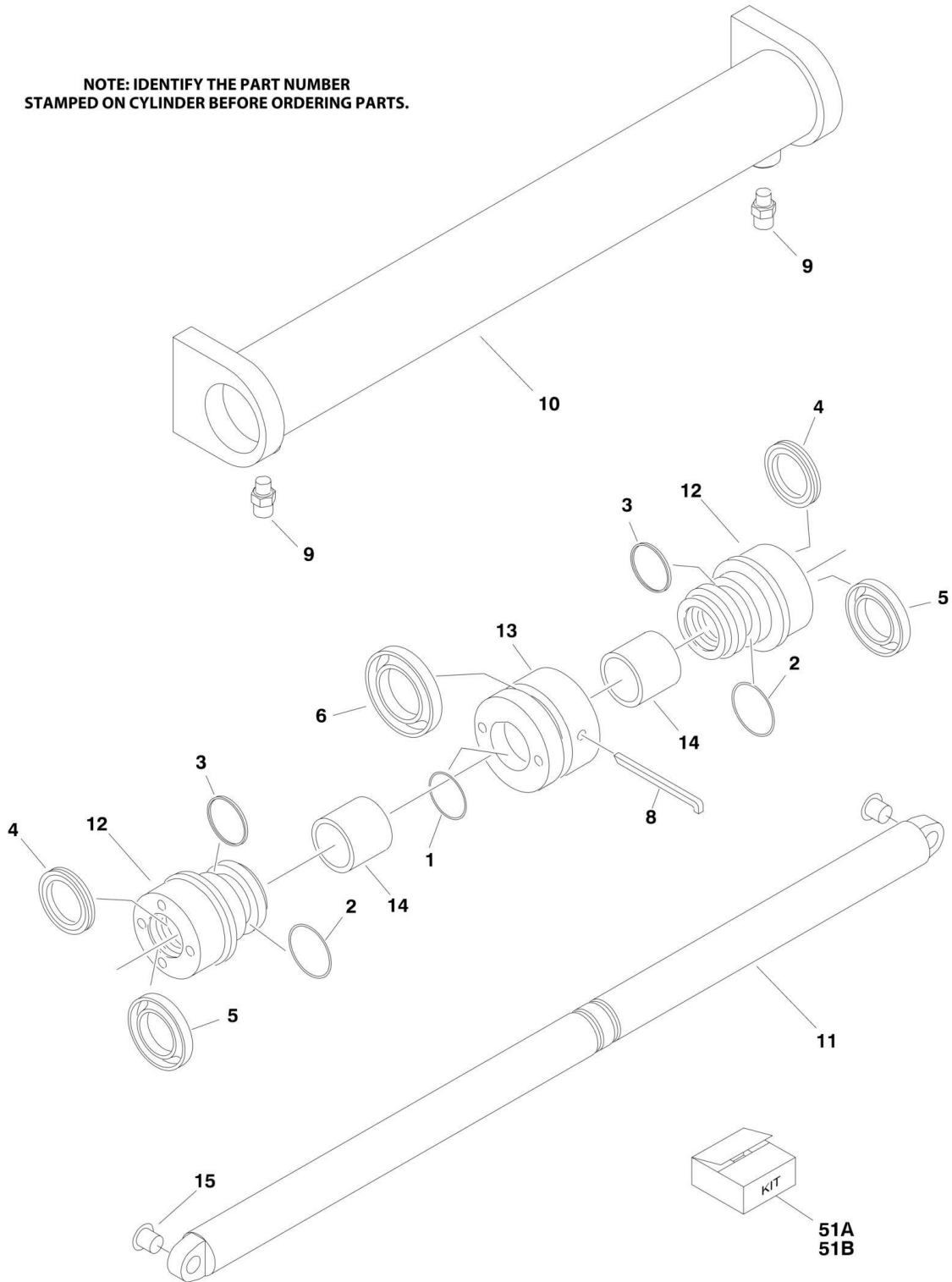




# SECTION 5 - CYLINDER

## FIGURE 5-4. STEER CYLINDER ASSEMBLY (TEXAS HYDRAULICS)

NOTE: IDENTIFY THE PART NUMBER  
STAMPED ON CYLINDER BEFORE ORDERING PARTS.



## SECTION 5 - CYLINDER

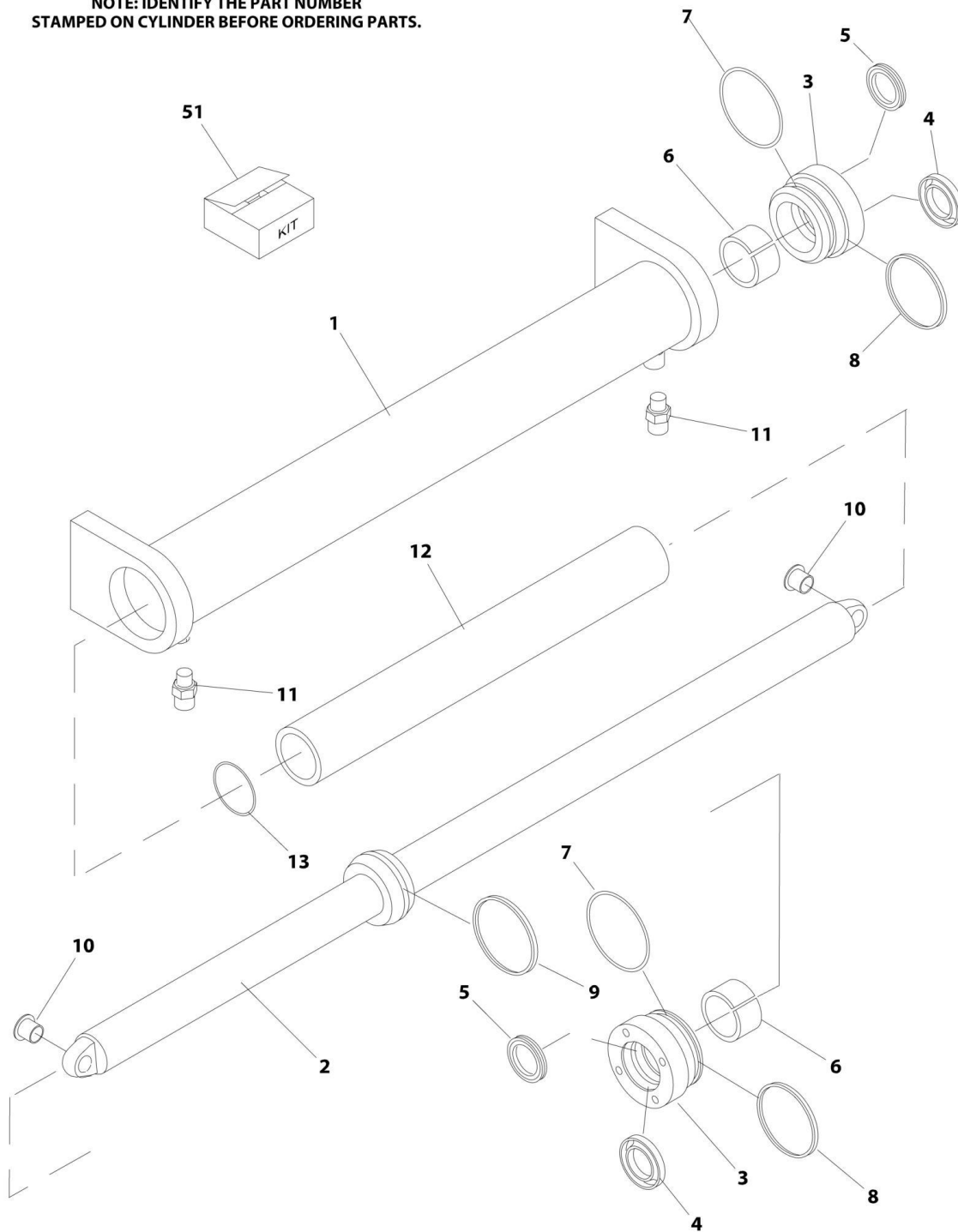
**FIGURE 5-4. STEER CYLINDER ASSEMBLY (TEXAS HYDRAULICS)**

ITEM	PART NUMBER	QTY	DESCRIPTION	REV
		Ref	<b>STEER CYLINDER ASSEMBLY</b>	
	1684237	Ref	<b>Steer Cylinder Assembly 1930ES/2030ES/2630ES</b>	K
	1684456	Ref	<b>Steer Cylinder Assembly 2646ES/3246ES</b>	H
1	See Note	1	O-Ring (Note: Use Item 51A or 51B)	
2	See Note	2	O-Ring (Note: Use Item 51A or 51B)	
3	See Note	2	Ring, Back-up (Note: Use Item 51A or 51B)	
4	See Note	2	Seal (Note: Use Item 51A or 51B)	
5	See Note	2	Wiper (Note: Use Item 51A or 51B)	
6	See Note	1	Seal (Note: Use Item 51A or 51B)	
8	7023564	1	Ring, Retaining	
9	2110404	2	Fitting, Straight Adapter	
10		Ref	Tube Assembly Options:	
10	7023563	1	Tube Assembly 1930ES/2030ES/2630ES	
10	70000108	1	Tube Assembly 2646ES/3246ES	
11		Ref	Rod Options:	
11	7023562	1	Rod 1930ES/2030ES/2630ES	
11	70000110	1	Rod 2646ES/3246ES	
12	7023561	2	Head	
13	7023560	1	Piston	
14		Ref	Spacer Options:	
14	Not Required	0	Spacer 1930ES/2030ES/2630ES	
14	7023565	2	Spacer 2646ES/3246ES	
15	0440259	2	Bushing	
51		Ref	Seal Kit - Cylinder Options (Includes Items 1-6):	
51A	7023559	1	Seal Kit - Cylinder 1930ES/2030ES/2630ES	
51B	70000107	1	Seal Kit - Cylinder 2646ES/3246ES	

# SECTION 5 - CYLINDER

## FIGURE 5-5. STEER CYLINDER ASSEMBLY (SH-PAC)

NOTE: IDENTIFY THE PART NUMBER  
STAMPED ON CYLINDER BEFORE ORDERING PARTS.



## SECTION 5 - CYLINDER

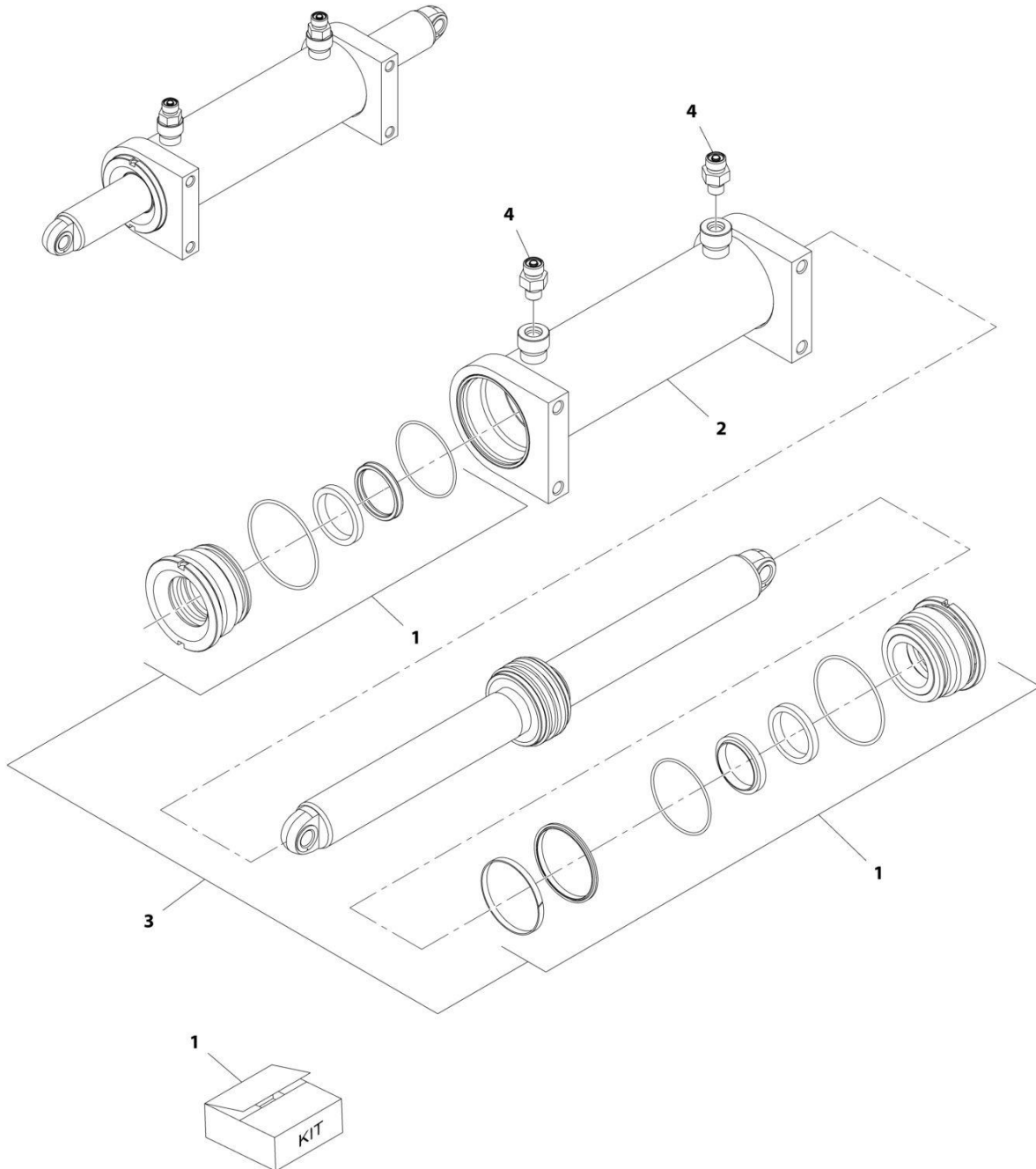
**FIGURE 5-5. STEER CYLINDER ASSEMBLY (SH-PAC)**

ITEM	PART NUMBER	QTY	DESCRIPTION	REV
		Ref	<b>STEER CYLINDER ASSEMBLY</b>	
	1001129267	Ref	<b>Steer Cylinder Assembly 1930ES/2030ES/2630ES</b>	C
	1001129268	Ref	<b>Steer Cylinder Assembly 2646ES/3246ES</b>	D
1		Ref	Tube Assembly Options:	
1	70004245	1	Tube Assembly 1930ES/2030ES/2630ES	
1	70004243	1	Tube Assembly 2646ES/3246ES	
2		Ref	Rod Options:	
2	70004244	1	Rod 1930ES/2030ES/2630ES	
2	70004242	1	Rod 2646ES/3246ES	
3	70004241	2	Head	
4	See Note	2	Wiper (Note: Use Item 51)	
5	See Note	2	Seal (Note: Use Item 51)	
6	See Note	2	Ring, Wear (Note: Use Item 51)	
7	See Note	2	O-Ring (Note: Use Item 51)	
8	See Note	2	Ring, Back-up (Note: Use Item 51)	
9	See Note	1	Seal (Note: Use Item 51)	
10	0440259	2	Bushing	
11	2110404	2	Fitting, Straight Adapter	
12		Ref	Spacer Options:	
12	Not Required	0	Spacer 1930ES/2030ES/2630ES	
12	70004240	1	Spacer 2646ES/3246ES	
13		Ref	O-Ring Options:	
13	Not Required	0	O-Ring 1930ES/2030ES/2630ES	
13	See Note	1	O-Ring 2646ES/3246ES (Note: Use Item 51)	
51	70004239	1	Seal Kit - Cylinder (Includes Items 4-9 & 13)	

# SECTION 5 - CYLINDER

## FIGURE 5-6. STEER CYLINDER ASSEMBLY (SERTA)

**NOTE: IDENTIFY THE PART NUMBER  
STAMPED ON CYLINDER BEFORE ORDERING PARTS.**



## SECTION 5 - CYLINDER

**FIGURE 5-6. STEER CYLINDER ASSEMBLY (SERTA)**

ITEM	PART NUMBER	QTY	DESCRIPTION	REV
	1001155850	Ref	<b>STEER CYLINDER ASSEMBLY (1930ES/2030ES/2630ES) (SERTA)</b>	B
	1001155851	Ref	<b>STEER CYLINDER ASSEMBLY (2646ES/3246ES) (SERTA)</b>	B
1	70004779	1	Seal Kit - Cylinder - 1930ES/2030ES/2630ES	
1	70004784	1	Seal Kit - Cylinder - 2646ES/3246ES	
2	70004781	1	Barrel, Cylinder - 1930ES/2030ES/2630ES	
2	70004783	1	Barrel, Cylinder - 2646ES/3246ES	
3	70004780	1	Rod, Cylinder - 1930ES/2030ES/2630ES	
3	70004782	1	Rod, Cylinder - 2646ES/3246ES	
4	2110404	2	Fitting, Straight ORFS/ORB	

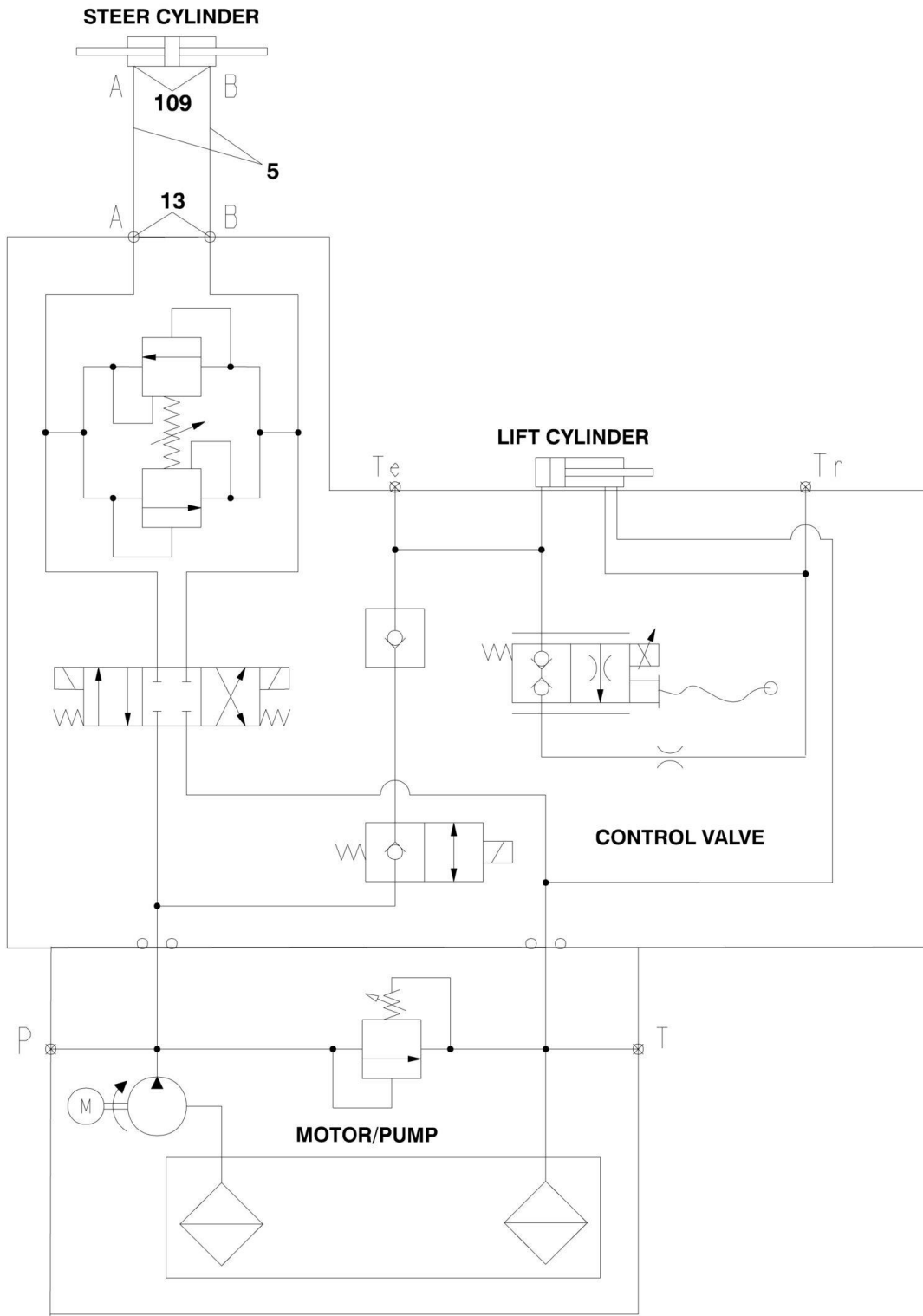




**SECTION 6 - HYDRAULIC**

# SECTION 6 - HYDRAULIC

## FIGURE 6-1. HYDRAULIC DIAGRAM



## SECTION 6 - HYDRAULIC

### FIGURE 6-1. HYDRAULIC DIAGRAM

ITEM	PART NUMBER	QTY	DESCRIPTION	REV
		Ref	<b>HYDRAULIC COMPONENTS</b>	
		Ref	<b>USA Built Machines:</b>	
	0272371	Ref	Steer Hydraulics (1930ES) (SN 0200198014 through 0200226776)	L
	1001157326	Ref	Steer Hydraulics (1930ES) (SN 0200226777 through 0200227794)	B
	1001131074	Ref	Steer Hydraulics (1930ES) (SN 0200227795 through 0200237861)	E
	1001157326	Ref	Steer Hydraulics (1930ES) (SN 0200237862 through 0200239381)	B
	0273227	Ref	Steer Hydraulics (2030ES/2630ES) (SN 0200198014 through 0200226776)	J
	1001157327	Ref	Steer Hydraulics (2030ES/2630ES) (SN 0200226777 through 0200227794)	B
	1001131075	Ref	Steer Hydraulics (2030ES/2630ES) (SN 0200227795 through 0200237861)	D
	1001157327	Ref	Steer Hydraulics (2030ES/2630ES) (SN 0200237862 through 0200239381)	B
	0274546	Ref	Steer Hydraulics (2646ES/3246ES) (SN 0200198014 through 0200226776)	G
	1001157328	Ref	Steer Hydraulics (2646ES/3246ES) (SN 0200226777 through 0200228265)	B
	1001131076	Ref	Steer Hydraulics (2646ES/3246ES) (SN 0200228266 through 0200237861)	E
	1001157328	Ref	Steer Hydraulics (2646ES/3246ES) (SN 0200237862 through 0200239381)	B
		Ref	<b>China Built Machines:</b>	
	0272371	Ref	Steer Hydraulics (1930ES) (SN B200000100 through B200014592)	L
	1001131074	Ref	Steer Hydraulics (1930ES) (SN B200014593 through B200020296)	E
	0273227	Ref	Steer Hydraulics (2030ES/2630ES) (SN B200000100 through B200014592)	J
	1001131075	Ref	Steer Hydraulics (2030ES/2630ES) (SN B200014593 to Present)	D
	0274546	Ref	Steer Hydraulics (2646ES/3246ES) (SN B200000100 through B200014592)	G
	1001131076	Ref	Steer Hydraulics (2646ES/3246ES) (SN B200014593 through B200020296)	E
		Ref	<b>Hydraulic Schematic</b>	
	2792599	Ref	<b>USA Built Machines:</b>	F
		Ref	<b>China Built Machines:</b>	
	2792599	Ref	China Built Machines (SN B200000100 through B200014592)	F
	1001143663	Ref	China Built Machines 1930ES/2646ES/3246ES (SN B200014593 through B200020296)	B
	1001143663	Ref	China Built Machines 2030ES/2630ES (SN B200014593 to Present)	B
		Ref	<b>Hose Options:</b>	
5		2	Hose 1930ES	
5	2755056	2	Hose 1930ES	
5	1001113888	2	Hose 2030ES/2630ES	
5	2753883	2	Hose 2646ES/3246ES	
13	2110404	2	Fitting, Straight	
		Ref	<b>STEER CYLINDER ASSEMBLY</b>	

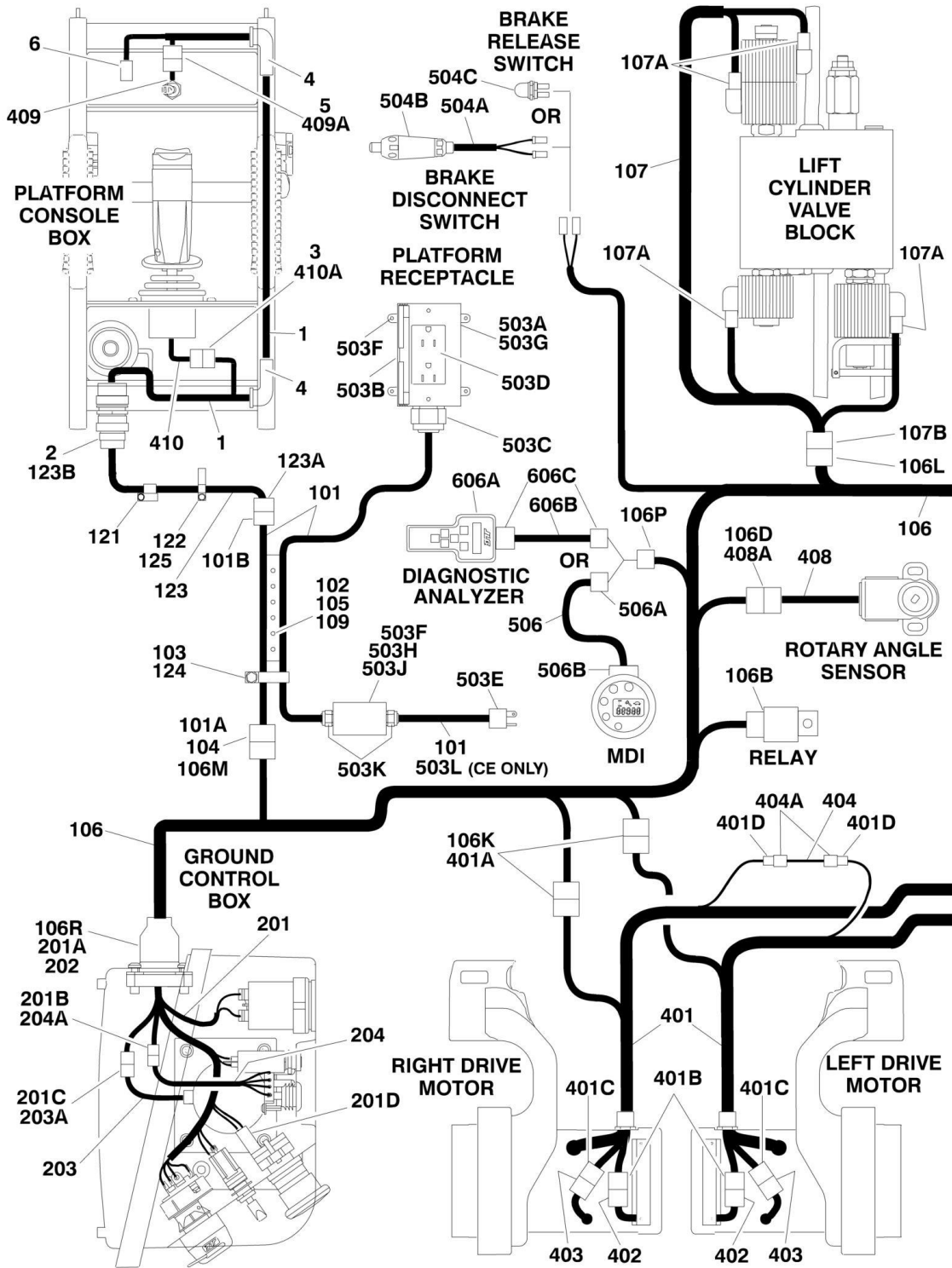
## SECTION 6 - HYDRAULIC

ITEM	PART NUMBER	QTY	DESCRIPTION	REV
		Ref	<b>USA Built Machines:</b>	
	1684237	Ref	<b>USA Built Machines 1930ES/2030ES/2630ES (SN 0200298014 through 0200226776)</b>	K
	1001155850	Ref	<b>USA Built Machines 1930ES/2030ES/2630ES (SN 0200226777 through 0200227794)</b>	B
	1001129267	Ref	<b>USA Built Machines 1930ES/2030ES/2630ES (SN 0200227795 through 0200237861)</b>	C
	1001155850	Ref	<b>USA Built Machines 1930ES/2030ES/2630ES (SN 0200237862 through 0200239381)</b>	B
	1684456	Ref	<b>USA Built Machines 2646ES/3246ES (SN 0200198014 through 0200226776)</b>	H
	1001155851	Ref	<b>USA Built Machines 2646ES/3246ES (SN 0200226777 through 0200228265)</b>	B
	1001129268	Ref	<b>USA Built Machines 2646ES/3246ES (SN 0200228266 through 0200237861)</b>	D
	1001155851	Ref	<b>USA Built Machines 2646ES/3246ES (SN 0200237862 through 0200239381)</b>	B
		Ref	<b>China Built Machines:</b>	
	1684237	Ref	<b>China Built Machines 1930ES/2030ES/2630ES (SN B200000100 through B200014592)</b>	K
	1001129267	Ref	<b>China Built Machines 1930ES/2030ES/2630ES (SN B200014593 to Present)</b>	C
	1684456	Ref	<b>China Built Machines 2646ES/3246ES (SN B200000100 through B200014592)</b>	H
	1001129268	Ref	<b>China Built Machines 2646ES/3246ES (SN B200014593 through B200020296)</b>	D
109	2110404	2	Fitting, Straight Adapter	

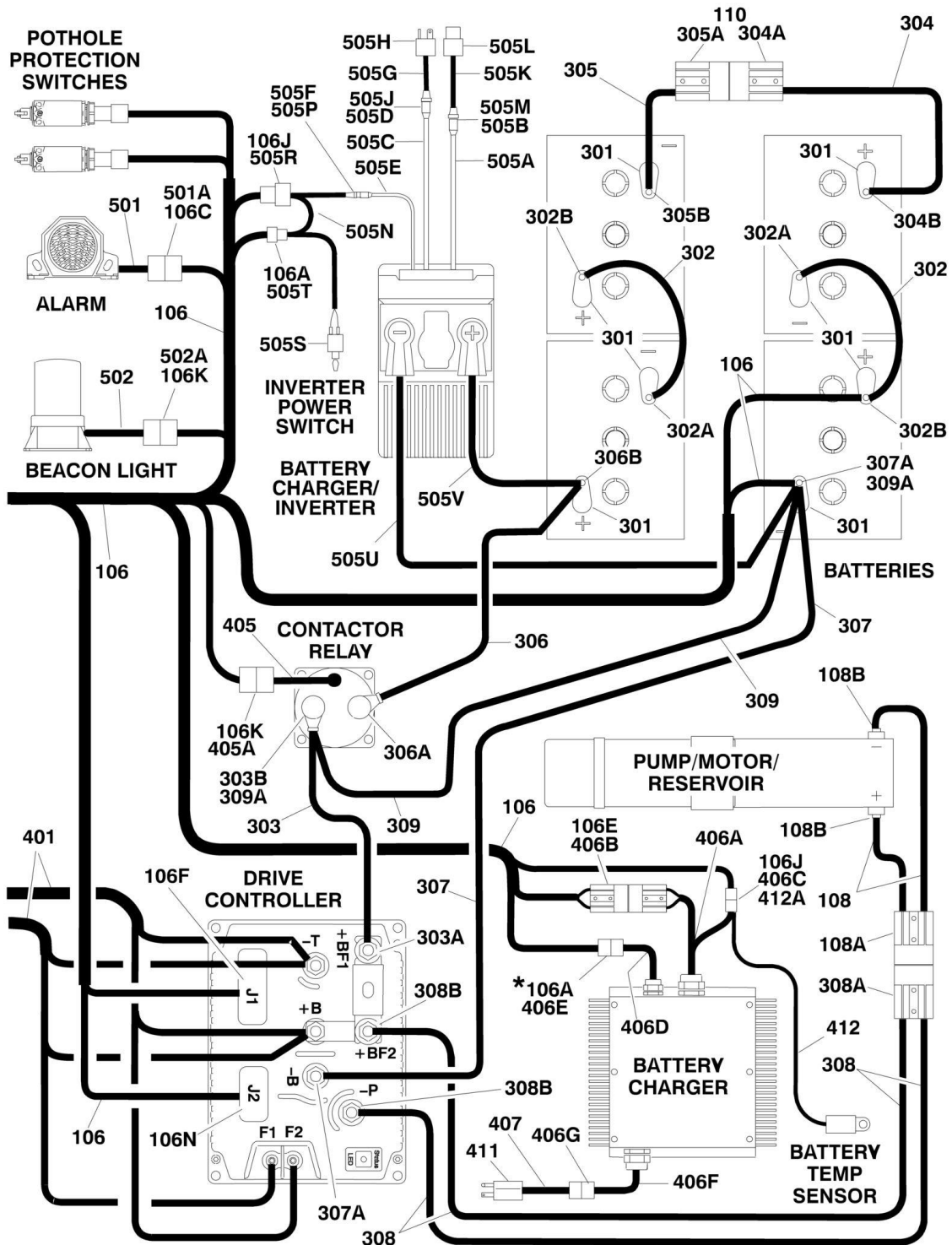
**SECTION 7 - ELECTRICAL**

# SECTION 7 - ELECTRICAL

## FIGURE 7-1. 1930ES ELECTRICAL COMPONENTS INSTALLATION



# SECTION 7 - ELECTRICAL



\*NOTE: THIS CONNECTION USED ONLY WHEN FOOTSWITCH OR BATTERY CHARGER INTERLOCK OPTIONS ARE REQUIRED.

# SECTION 7 - ELECTRICAL

## FIGURE 7-1. 1930ES ELECTRICAL COMPONENTS INSTALLATION

ITEM	PART NUMBER	QTY	DESCRIPTION	REV
		Ref	<b>CONSOLE BOX COMPONENTS</b>	
1	4922870	1	Platform Box Harness	C
2	4461016	1	Connector - 14 Position	
2	4460464	5	Pin, Male	
2	4460466	9	Plug, Sealing	
2	4460496	1	Lockwasher	
2	4460497	1	Nut, Panel	
3	4460265	1	Plug, Male - 9 Position	
3	4460267	8	Pin, Male	
4	2540042	2	Grommet 90	
5	Not Available	1	Receptacle, Female - 3 Position	
6	4461057	1	Plug, Male - 16 Position	
		Ref	<b>PLATFORM CABLES INSTALLATION</b>	
	1001116630	Ref	<b>ANSI, ANSI Export, Japanese and UL Specs</b>	C
	1001116631	Ref	<b>Australian and CE Specs</b>	C
101		Ref	Platform to Ground Harness Options:	
101	1001094154	1	ANSI, ANSI Export, Japanese and UL Specs	E
101	1001094332	1	Australian and CE Specs:	E
101A	4460930	1	Plug, Male - 8 Position	
101A	4460465	4	Socket, Female	
101A	4460944	3	Socket, Female (Gold)	
101A	4460466	1	Plug, Sealing	
101A	0840061	1	Boot, 8 Position Plug	
101A	2820026	AR	Insulation, Clear Tubing	
101A	2820028	AR	Heat Shrink	
101B	4460930	1	Plug, Male - 8 Position	
101B	4460465	4	Socket, Female	
101B	4460944	3	Socket, Female (Gold)	
101B	4460466	1	Plug, Sealing	
101B	0840061	1	Boot, 8 Position Plug	
101B	2820026	AR	Insulation, Clear Tubing	
101B	2820028	AR	Heat Shrink	
102	1380158	AR	Retainer	
103	1320318	AR	P-Clamp 3/4in	
104	0100048	AR	Grease, Dielectric	
105	4740545	AR	Washer, Special Cable	
106	1001116634	1	Chassis Harness	E
106	1001115126	1	Wiring Diagram - Chassis	A
106A	4460320	1	Plug, Male - 2 Position (Note: Connection to this plug used only when footswitch or battery interlock options are required)	
106A	4460226	2	Socket, Female	
106B	1001097347	1	Relay	
106B	4460374	1	Plug, Relay	
106B	4460375	3	Terminal	
106C	4460539	1	Plug, Male - 3 Position	
106C	4460465	2	Socket, Female	
106D	4460539	1	Plug, Male - 3 Position	
106D	4460465	3	Socket, Female	
106E	4460648	1	Connector, Anderson	
106F	4460873	1	Plug, Male - 35 Position	



## SECTION 7 - ELECTRICAL

ITEM	PART NUMBER	QTY	DESCRIPTION	REV
106F	4460871	26	Socket, Female	
106J	4460894	1	Plug, Male - 6 Position	
106J	4460465	4	Socket, Female	
106K	4460897	4	Receptacle, Female - 2 Position	
106K	4460464	8	Pin, Male	
106L	4460899	1	Connector, Female - 6 Position	
106L	4460464	6	Pin, Male	
106M	4460931	1	Receptacle, Female - 8 Position	
106M	4460464	4	Pin, Male	
106M	4460943	3	Pin, Male (Gold)	
106M	0840058	1	Boot	
106N	1001096138	1	Plug, Male - 23 Position	
106N	4460871	13	Socket, Female	
106P	4460761	1	Receptacle, Female - 4 Position	
106P	4460227	4	Pin, Male	
106R	1001115076	1	Plug, Male - 18 Position	
106R	4460465	14	Socket, Female	
106R	4460942	2	Socket, Female	
107	1001115002	1	Lift Cylinder Harness	B
107A	4460891	4	Plug, Male - 2 Position	
107A	4460465	8	Socket, Female	
107B	4460894	1	Plug, Male - 6 Position	
107B	4460465	6	Socket, Female	
107B	0840059	1	Boot	
108	4923647	1	Power to Pump Motor Harness	B
108A		Ref	Connector, Anderson Options:	
108A	Not Available	1	Connector, Anderson Red	
108A	Not Available	1	Connector, Anderson Gray	
108B	0840041	2	Boot, Terminal (Red)	
109		Ref	Screw M6 Options:	
109	0760610	AR	Screw M6 x 20mm Length	
109	0760614	AR	Screw M6 x 30mm Length	
109	0760615	AR	Screw M6 x 35mm Length	
110		Ref	Bracket, Battery Connector Options:	
110	0903339	1	Bracket Non-UL Machines	
110	1001110826	1	Bracket UL Machines	
110	0760615	1	Screw M6 x 35mm	
110	3290605	1	Locknut M6	
110	4811702	2	Flatwasher M6	
111	1001116635	Ref	Battery Cable Kit (See Items 301-309 for Breakdown)	
121	1001094175	AR	Clamp, Post	
121	4010616	AR	Screw M6 x 40mm	
121	3290606	AR	Nut, Acorn M6	
122	1001094180	4	Clamp, Rail (USA Built Machines) (SN 0200198014 through 0200226731, SN 0200234120 through 0200239381)	
122	1001094180	4	Clamp, Rail (China Built Machines) (SN B200000100 through B20014593, SN B200018670 through B200020296)	
122	0760606	AR	Screw M6 x 12mm	
122	3290606	AR	Nut, Acorn M6	
123	1001096705	1	Platform to Control Box Coiled Cable Harness	D
123A	4460931	1	Receptacle, Female - 8 Position	
123A	4460464	4	Pin, Male	

## SECTION 7 - ELECTRICAL

ITEM	PART NUMBER	QTY	DESCRIPTION	REV
123A	4460943	3	Pin, Male (Gold)	
123A	4460466	1	Plug, Sealing	
123A	0840058	1	Boot, 8 Position Receptacle	
123A	2820026	AR	Insulation, Clear Tubing	
123A	2820028	AR	Heat Shrink	
123B	4460754	1	Connector -14 Position	
123B	4460465	4	Socket, Female	
123B	4460944	3	Socket, Female	
123B	4460466	4	Plug, Sealing	
123B	3730119	1	Resistor	
123B	4460493	1	Cap, Dust	
123B	2820026	AR	Insulation, Clear Tubing	
124	1321716	2	P-Clamp, Double 1in	
124	3900351	AR	Capscrew M10 x 30mm	
124	4812000	AR	Flatwasher M10	
124	3291005	AR	Locknut M10	
125	1001155042	4	Strap, Cable Tie (USA Built Machines) <b>(SN 0200226731 through 0200234119)</b>	
125	1001155042	4	Strap, Cable Tie (China Built Machines) <b>(SN B200014593 through B200018669)</b>	
		Ref	<b>GROUND CONTROL BOX COMPONENTS</b>	
201	1001114935	1	Control Box Harness <b>(SN 0200198014 through 0200238465)</b>	A
201	1001167256	1	Control Box Harness <b>(SN 0200238466 through 0200239381)</b>	D
201	1001114935	1	Control Box Harness <b>(SN B200000100 through B200020296)</b>	A
201A	See Note	NSS	Receptacle, Female - 18 Position (Note: Not Available for Purchase)	
201A	See Note	NSS	Socket, Female (Note: Not Available for Purchase)	
201B	4460961	1	Receptacle, Female - 4 Position	
201B	4460267	4	Pin, Male	
201C	4461077	1	Plug, Male - 4 Position (1001114935 Harness)	
201C	4460884	1	Plug, Male - 4 Position (1001167256 Harness)	
201C	4460928	4	Socket, Female (1001114935 Harness)	
201C	4460944	4	Socket, Female (1001167256 Harness)	
201D	4460418	1	Receptacle, Female - 3 Position	
201D	4460419	3	Terminal	
202	1001114937	1	Mount, Harness Bulkhead	
203	1001114933	1	Harness, Tilt Sensor (Includes Sensor)	A
203A	4461076	1	Receptacle, Female - 4 Position	
203A	4460929	4	Pin, Male	
204	0610161	1	Harness, Charger LED (Includes PC Board)	
204A	4460321	1	Plug, Male - 4 Position	
204A	4460268	3	Socket, Female	
	1001116635	Ref	<b>BATTERY CABLE KIT</b>	E
	0275480	Ref	<b>BATTERY CABLE COMPONENTS (UL SPEC ONLY)</b>	E
301	0840060	8	Boot, Terminal (Gray) (Covers only the Battery Terminal Base)	
302	1060998	2	Cable, Battery (Battery Positive to Battery Negative)	E
302A	Not Available	2	Boot, Terminal (Black) (1 Per Cable Assembly)	
302B	Not Available	2	Boot, Terminal (Red) (1 Per Cable Assembly)	
303	1001114992	1	Cable, Battery (Contactor to Drive Module B+)	A
303A	Not Available	1	Boot, Terminal (Black)	
303B	Not Available	1	Boot, Terminal (Red)	
304		Ref	Cable, Battery (LH Battery to Disconnect)	

## SECTION 7 - ELECTRICAL

ITEM	PART NUMBER	QTY	DESCRIPTION	REV
304	4923365	1	Single Pole	C
304	4923413	NLA	Two Pole (Use p/n 1001127523)	C-E
304A		Ref	Connector, Anderson Options:	
304A	Not Available	NLA	Connector Single Pole (Use p/n 4923365)	
304A	Not Available	NLA	Connector Two Pole (Use p/n 4923414)	
304B	Not Available	1	Boot, Terminal (Red)	
305		Ref	Cable, Battery (RH Batteries to Disconnect) Options:	
305	4923366	1	Single Pole	B
305	4923414	1	Two Pole	E
305A		Ref	Connector, Anderson Options:	
305A	Not Available	NLA	Connector Single Pole (Use p/n 4923366)	
305A	Not Available	NLA	Connector Two Pole (Use p/n 4923413 & 1001127523)	
305B		Ref	Boot, Terminal Options:	
305B	Not Available	1	Boot, Black	
305B	Not Available	1	Boot, Red	
306	4923367	1	Cable, Battery (RH Battery to Contactor)	B
306A	Not Available	1	Boot, Terminal (Black)	
306B	Not Available	1	Boot, Terminal (Red)	
307 to 307	Not Required	0	Not Required	
308	4923648	2	Cable, Battery (Power to Pump Motor)	B
308A		Ref	Connector, Anderson Options:	
308A	Not Available	1	Connector, Anderson Red	
308A	Not Available	1	Connector, Anderson Gray	
308B	0840041	1	Boot, Terminal (Red)	
309	4923374	1	Cable, Battery (LH Battery to Contactor)	B
309A	Not Available	2	Boot, Terminal (Red)	
		Ref	<b>STANDARD HARNESES</b>	
401	1001091502	2	Drive Motor/Brake Harness	E
401A	4460891	2	Plug, Male - 2 Position (1 Per Harness)	
401A	4460465	4	Socket, Female (2 Per Harness)	
401B	70001442	2	Plug, Male - 2 Position (1 Per Harness) (To Brake)	
401B	Not Available	4	Socket, Female (2 Per Harness) (To Brake)	
401C	70001443	2	Plug, Male - 2 Position (1 Per Harness) (To Motor)	
401C	70001444	4	Socket, Female (2 Per Harness) (To Motor)	
401D		Ref	Connector Options:	
401D	4461261	1	Plug, Male - 1 Position	
401D	4460509	1	Terminal	
402	Not Available	2	Harness, Brake (Internal Connections - Purchase Complete Brake)	
402	Not Available	2	Receptacle, Female - 2 Position (1 Per Harness)	
402	Not Available	4	Pin, Male (2 Per Harness)	
403	Not Available	2	Harness, Motor (Internal Connections - Purchase Complete Motor)	
403	Not Available	2	Receptacle, Female - 2 Position (1 Per Harness)	
403	Not Available	4	Pin, Male (2 Per Harness)	
404	4923602	2	Harness, Field Wire Connection	B
404A	4461260	2	Receptacle, Female - 1 Position	
404A	4460508	2	Terminal	
405	3740150	1	Contactor Relay Harness (Includes Relay)	
405A	4460891	1	Plug, Male - 2 Position	
405A	4460465	2	Socket, Female	
406		Ref	Battery Charger Components	
406A	Not Available		DC Harness/Cord Set	

## SECTION 7 - ELECTRICAL

ITEM	PART NUMBER	QTY	DESCRIPTION	REV
406B	4460648	1	Plug, Anderson	
406C	4460899	1	Connector, Female - 6 Position	
406C	4460464	6	Pin, Male	
406D	Not Available	1	Harness with Connector (Note: Connection to this plug used only when battery interlock options are required)	
406E	4460424	1	Connector, Female - 2 Position (Note: Connection to this plug used only when battery interlock options are required)	
406E	4460227	2	Pin, Male	
406F	Not Available	1	AC Harness/Cord Set	
406G	Not Available	1	Connector, Female	
407		Ref	Cable, AC Power to Charger Options:	
407	1001103257	1	Cable with Factory Supplied Plug (Orange)	
407	1001103258	1	Cable with Locally Supplied Plug (Orange)	
408	4360526	NLA	Rotary Angle Sensor and Harness (Separate Harness Not Available) (Use p/n 1001092354)	
408A	4460536	1	Receptacle, Female - 3 Position	
408A	4460464	3	Pin, Male	
409	4360539	1	Toggle Switch and Harness (No Separate Harness Available)	
409A	Not Available	1	Plug, Male - 3 Position	
410	Not Available	1	Joystick Harness	
410A	4460266	1	Receptacle, Female - 9 Position	
410A	4460226	8	Socket, Female	
411		Ref	Plug Options:	
411	Not Available	NLA	ANSI Spec Plug (Use p/n 1001103257)	
411	Not Available	1	Australian and Japanese Specs (Purchase Locally)	
411		Ref	CE Spec Options:	
411	0275666	Ref	IEC Yellow Receptacle Installation	A
411	4461196	Ref	Receptacle, IEC Yellow	
411	0276667	Ref	IEC Blue Receptacle Installation	A
411	4661199	Ref	Receptacle, IEC Blue	
411	0275665	Ref	AFSINT 107 Keyed Ground Receptacle Installation	A
411	4661249	Ref	Receptacle, AFSINT 107 Keyed Ground	
411	0275663	Ref	CEE7 Post Ground Receptacle Installation	A
411	4661202	Ref	Receptacle, CEE7 Post Ground	
411	0275664	Ref	CEE7 Side Ground Receptacle Installation	A
411	4661205	Ref	Receptacle, CEE7 Side Ground	
412	1001112113	NLA	Battery Temperature Sensor Harness (Includes Sensor and Instructions) (Use p/n 1001127269)	
412A	4460465	2	Socket, Female	
		Ref	<b>OPTIONAL HARNESSES</b>	
501	0140043	1	Alarm and Harness (Separate Harness Not Available)	
501A	4460536	1	Receptacle, Female - 3 Position	
501A	4460464	3	Pin, Male	
502	2920161	1	Beacon Light and Harness (Separate Harness Not Available)	
502A	4460891	1	Plug, Male - 2 Position (1 Per Harness)	
502A	4460465	2	Socket, Female (2 Per Harness)	
503		Ref	Platform Electrical Outlet Components	
503		Ref	ANSI, ANSI Export, CSA, Japanese and UL Specs Options:	
503	0272839	Ref	110V with Receptacle and Plug	I
503	0272843	Ref	220V without Receptacle and Plug (Locally Supplied Components)	G
503		Ref	Australian Specs Options:	

## SECTION 7 - ELECTRICAL

ITEM	PART NUMBER	QTY	DESCRIPTION	REV
503	0272843	Ref	220V without Receptacle and Plug (Locally Supplied Components)	G
503		Ref	CE Specs Options:	
503	0275487	Ref	110V with IEC Yellow Receptacle and Plug and Circuit Breaker	C
503	0272843	Ref	220V without Receptacle and Plug (Locally Supplied Components)	F
503	0275487	NLA	220V with IEC Blue Receptacle and Plug and Circuit Breaker (Use p/n 0275488)	C
503	0275486	Ref	220V with AFSINT 107 Keyed Ground Receptacle and Plug and Circuit Breaker	C
503	0275472	Ref	220V with CEE7 Post Ground Receptacle and Plug and Circuit Breaker (2x4 Box) <b>(SN 0200198014 through 0200232930, SN B200000100 through B200018635)</b>	C
503	1001162449	Ref	220V with CEE7 Post Ground Receptacle and Plug and Circuit Breaker (2x4 Box) <b>(SN 0200232931 through 0200239381, SN B200018636 through B200020296)</b>	A
503	0275489	Ref	220V with CEE7 Post Ground Receptacle and Plug and Circuit Breaker (70x70 Box)	D
503	0275485	Ref	220V with CEE7 Side Ground Receptacle and Plug and Circuit Breaker (2x4 Single Box) <b>(SN 0200198014 through 0200232930, SN B200000100 through B200018635)</b>	C
503	1001162447	Ref	220V with CEE7 Side Ground Receptacle and Plug and Circuit Breaker (2x4 Single Box) <b>(SN 0200232931 through 0200239381, SN B200018636 through B200020296)</b>	A
503	1001096628	Ref	220V with CEE7 Side Ground Receptacle and Plug and Circuit Breaker (2x4 Dual Boxes) (Note: Qty shown is for single Receptacle Box. Double Qty listed for Dual Receptacle Boxes)	A
503	0275490	Ref	220V with CEE7 Side Ground Receptacle and Plug and Circuit Breaker (70x70 Box)	D
503		Ref	Decal - AC Power (Not Shown)	
503	1703464	1	Decal - AC Power 110V	
503	3252507	1	Decal - AC Power 220V	
503A		Ref	Box, Switch Options:	
503A	0861731	1	Box, Switch 0272839, 0275472, 0275485, 0275486, 1001162447, 1001162449 & 1001096628 Installations	
503A	Not Available	1	Box, Switch 0272843 Installation (Purchase Locally)	
503A	4460315	1	Box, Switch 0272839 Installation (Terminal, Spade) (Not Shown)	
503A	0861781	1	Box, Switch 0275487 & 0275488 Installations	
503A	See Note	1	Box, Switch 0275774/0275775 Installations (Note: Was p/n 0861782 which is no longer available. Use p/n 1001100344 CEE7 Side Ground Service Kit or p/n 1001100343 CEE7 Post Ground Service Kit. Kits includes Box p/n 1001141967 & Items 503B, 503D & 503E)	
503A	1001141967	1	Box, Switch 1001100343, 1001100344, 1001141970 & 1001141971 Service Kits	
503B		Ref	Cover Options:	
503B	1671207	1	Cover 0272839 Installation	
503B	Not Available	1	Cover 0272843 Installation (Purchase Locally)	
503B	4461244	1	Cover 0275472 & 1001162449 Installations (Includes Receptacle)	
503B	4461245	1	Cover 0275485, 1001162447 & 1001096628 Installations (Includes Receptacle)	
503B	4461246	1	Cover 0275486 Installation (Includes Receptacle)	
503B	4461198	1	Cover 0275487 Installation (Includes Receptacle)	
503B	4461201	1	Cover 0275488 Installation (Includes Receptacle)	
503B	4461204	NLA	Cover 0275489 Installation (Includes Receptacle) (Use p/n	

## SECTION 7 - ELECTRICAL

ITEM	PART NUMBER	QTY	DESCRIPTION	REV
503B	1001141971	NLA	1001100343) Cover 0275489 Installation (Includes Receptacle) (Use p/n 1001100343)	
503B	4461207	NLA	Cover 0275490 Installation (Includes Receptacle) (Use p/n 1001100344)	
503B	1001141970	NLA	Cover 0275490 Installation (Includes Receptacle) (Use p/n 1001100344)	
503B	1001141968	1	Cover 1001100343 & 1001141971 Service Kits	
503B	1001141969	1	Cover 1001100344 & 1001141970 Service Kits	
503C		Ref	Connector, Strain Relief Options:	
503C	4460662	1	Connector, Strain Relief 0272839, 0275472, 0275485, 0275486, 1001162447, 1001162449 & 1001096628 Installations	
503C	Not Available	1	Connector, Strain Relief 0272843 Installation (Purchase Locally)	
503C	4461257	1	Connector, Strain Relief 0275487, 0275488, 0275489 & 0275490 Installations (90)	
503C	4461258	1	Connector, Strain Relief 0275487, 0275488, 0275489 & 0275490 Installations (Adapter)	
503C	4460633	1	Connector, Strain Relief 0275520 & 0275521 Installations	
503C	4460428	1	Connector, Strain Relief 0275522 & 0275523 Installations	
503D		Ref	Receptacle, Electrical Options:	
503D	4460346	1	Receptacle, Electrical 0272839 Installation	
503D	Not Available	1	Receptacle, Electrical 0272843 Installation (Purchase Locally)	
503D	4461244	1	Receptacle, Electrical 0275472 & 1001162449 Installations (Includes Cover)	
503D	4461245	1	Receptacle, Electrical 0275485, 1001162447 & 1001096628 Installations (Includes Receptacle)	
503D	4461246	1	Receptacle, Electrical 0275486 Installation (Includes Cover)	
503D	4461198	1	Receptacle, Electrical 0275487 Installation (Includes Cover)	
503D	4461201	1	Receptacle, Electrical 0275488 Installation (Includes Cover)	
503D	4461204	NLA	Receptacle, Electrical 0275489 Installation (Includes Receptacle) (Use p/n 1001100343)	
503D	1001141971	NLA	Receptacle, Electrical 0275489 Installation (Includes Receptacle) (Use p/n 1001100343)	
503D	4461207	NLA	Receptacle, Electrical 0275490 Installation (Includes Receptacle) (Use p/n 1001100344)	
503D	1001141970	NLA	Receptacle, Electrical 0275490 Installation (Includes Receptacle) (Use p/n 1001100344)	
503D	1001141968	1	Receptacle, Electrical 1001100343 & 1001141971 Service Kits	
503D	1001141969	1	Receptacle, Electrical 1001100344 & 1001141970 Service Kits	
503E		Ref	Plug End Options:	
503E	4460138	1	Plug End 0272839 Installation (Male)	
503E	Not Available	1	Plug End 0272843 Installation (Purchase Locally)	
503E	4461202	1	Plug End 0275472/0275489/1001162449 Installations and 1001100343/1001141971 Service Kits (Male)	
503E	4461203	1	Plug End 0275472/0275489 Installations and 1001100343/1001141971 Service Kits (Female)	
503E	4461205	1	Plug End 0275485/1001096628/1001162447 Installations and 1001100344/1001141970 Service Kits (Male)	
503E	4461206	1	Plug End 0275485/1001096628 Installations and 1001100344/1001141970 Service Kits (Female)	
503E	4461249	1	Plug End 0275486 Installation (Male)	

## SECTION 7 - ELECTRICAL

ITEM	PART NUMBER	QTY	DESCRIPTION	REV
503E	4461250	1	Plug End 0275486 Installation (Female)	
503E	4461196	1	Plug End 0275487 Installation (Male)	
503E	4461197	1	Plug End 0275487 Installation (Female)	
503E	4461199	1	Plug End 0275488 Installation (Male)	
503E	4461200	1	Plug End 0275488 Installation (Female)	
503E	4461202	1	Plug End 0275489 Installation (Male)	
503E	4461203	1	Plug End 0275489 Installation (Female)	
503E	4461205	1	Plug End 0275490 Installation (Male)	
503E	4461206	1	Plug End 0275490 Installation (Female)	
503F		Ref	Hardware Options:	
503F	4010405	AR	Screw M4 x 10mm	
503F	4010408	AR	Screw M4 x 16mm	
503F	4010608	AR	Screw M6 x 16mm	
503F	4191706	AR	Screw M6 x 12mm	
503F	4191708	AR	Screw M6 x 20mm	
503F	0760619	AR	Screw M6 x 55mm	
503F	3290405	AR	Locknut M4	
503F	3290605	AR	Locknut M6	
503F	3290607	AR	Locknut M6	
503F	4811400	AR	Flatwasher M4	
503F	1001091102	AR	Flatwasher M4 Oversize	
503F	4811700	AR	Flatwasher M6	
503G		Ref	Bracket, Receptacle Box Mounting Options:	
503G	Not Required	0	Bracket 0272839, 0272843, 0275472, 0275485, 0275486 & 1001096628 Installations	
503G	0903569	1	Bracket 0275487, 0275488, 0275489 & 0275490 Installations	
503G	0903484	1	Bracket 1001096628 Installation (2nd Receptacle Box Only)	
503H	0903566	1	Bracket, Circuit Breaker Mounting (Required Only on CE Spec Installations except 0272843 Installation)	
503H	1001096627	1	Bracket, Circuit Breaker Mounting (Required Only on CE Spec 1001096628 Installation)	
503H	1001162362	1	Bracket, Circuit Breaker Mounting (Required Only on CE Spec 1001162447 & 1001162449 Installations)	
503J	2902541	AR	Circuit Breaker Box Assembly with 2 Breakers (Required Only on CE Spec Installations except 0272843, 1001162447 & 1001162449 Installations)	E
503J	1001152485	AR	Circuit Breaker Box Assembly with 3 Breakers (Required Only on CE Spec Installations except 1001162447 & 1001162449 Installations)	
503J	1001109475	NLA	Circuit Breaker - 16 Amp (Breaker Box with 2 Breakers) (Use p/n 1001181045 16A/30mA Combination Breaker)	
503J	1001152479	NLA	Circuit Breaker - 16 Amp Double (Breaker Box with 3 Breakers) (Use p/n 1001189172)	
503J	1001109482	NLA	Circuit Breaker - 30mAmp (Breaker Box with 2 Breakers) (Use p/n 1001181045 16A/30mA Combination Breaker)	
503J	1001152482	NLA	Circuit Breaker - 30mAmp (Breaker Box with 3 Breakers) (Use p/n 1001189171)	
503J	4460957	1	Terminal Block (Breaker Box with 2 Breakers)	
503J	4460956	1	Barrier, Terminal Block (Breaker Box with 2 Breakers)	
503K	1001097150	1	Connector, Strain Relief (Required Only on CE Spec Installations except 0272843 Installation)	
503L	1060908	55 in/1.4m	Cable, Extension (Required Only on CE Spec Installations except 0272843 Installation)	
503M	1060908	55 in/1.4m	Cable, Electrical (Required Only on CE Spec 1001096628	

## SECTION 7 - ELECTRICAL

ITEM	PART NUMBER	QTY	DESCRIPTION	REV
	2902431	1	Installation) (Not Shown - Connects 2 Receptacle Boxes) Receptacle Box Kit (110V GFI) (Includes Items 503A-503D) (0272839 Installation)	C
	0275216	1	Receptacle, Box and Plug Kit (110V IEC Yellow) (Includes Items 503A, 503B, 503C & Male 503E Plug End) (0275487 Installation)	1-A
	0275217	1	Receptacle, Box and Plug Kit (220V IEC Blue) (Includes Items 503A, 503B, 503D & Male 503E Plug End) (0275488 Installation)	1-A
	0275452	1	Receptacle Box Kit (220V CEE7 Post Ground with 2x4 Box) (Includes Items 503A, 503B, 503D & Male 503E Plug End) (0275472 & 1001162449 Installations)	1-A
	0275218	NLA	Receptacle, Box and Plug Kit (220V CEE7 Post Ground with 70x70 Box) (Includes Items 503A, 503B, 503D & 503E) (0275489 Installation) (Use p/n 1001100343)	B-A
	1001141971	NLA	Receptacle, Box and Plug Kit (220V CEE7 Post Ground with 70x70 Box) (Includes Items 503A, 503B, 503D & 503E) (0275489 Installation) (Use p/n 1001100343)	B-A
	0275453	1	Receptacle Box Kit (220V CEE7 Side Ground with 2x4 Box) (Includes Items 503A, 503B, 503D & Male 503E Plug End) (0275485, 1001096628 & 1001162447 Installations)	1-A
	0275219	NLA	Receptacle, Box and Plug Kit (220V CEE7 Side Ground with 70x70 Box) (Includes Items 503A, 503B, 503D & 503E) (0275490 Installation) (Use p/n 1001100344)	B-A
	1001141970	NLA	Receptacle, Box and Plug Kit (220V CEE7 Side Ground with 70x70 Box) (Includes Items 503A, 503B, 503D & 503E) (0275490 Installation) (Use p/n 1001100344)	B-A
	0275454	1	Receptacle, Box and Plug Kit (220V AFSINT 107 Keyed Ground) (Includes Items 503A, 503B, 503D & Male 503E Plug End) (0275486 Installation)	1-A
504		Ref	Brake Disconnect/Release Switch Components	
504A	4922944	1	Brake Disconnect Harness and Switch	E
504A	1060680	15 ft/2.7m	Cable, Electrical 18/2	
504A	4240003	1	Strap, Cinch (Not Shown)	
504B	4360613	1	Switch, Limit	
504C	4360387	1	Brake Release Switch	
505		Ref	Battery Charger/Inverter Components (ANSI and CSA Option Only):	
505A	Not Available	1	AC Output Harness (Internal Part of Inverter)	
505B	Not Available	1	Receptacle, Female - 4 Position (Conxall T9014)	
505C	Not Available	1	AC Input Harness (Internal Part of Inverter)	
505D	Not Available	1	Receptacle, Female - 4 Position (Conxall T9016)	
505E	Not Available	1	Remote Control Harness (Internal Part of Inverter)	
505F	Not Available	1	Plug, Male - 8 Position (Conxall 7281-8PG-300)	
505G	4923389	NLA	AC Input Harness (Use p/n 1001091479)	A-D
505H	4460138	1	Plug, Male	
505J	Not Available	1	Plug, Male - 4 Position (Conxall T9017)	
505K	4923390	1	AC Output Harness	D
505L	4460779	1	Receptacle, Female	
505M	Not Available	1	Plug, Male - 4 Position (Conxall T9015)	
505N	4923391	1	Data Interface Harness	E
505P	Not Available	1	Plug, Male - 8 Position (Conxall 6280-8SG-318)	
505R	4460899	1	Receptacle, Female - 6 Position	
505R	4460464	4	Pin, Male	
505R	4460466	2	Plug, Seal	
505R	3990010	1	Diode 6A/600V	

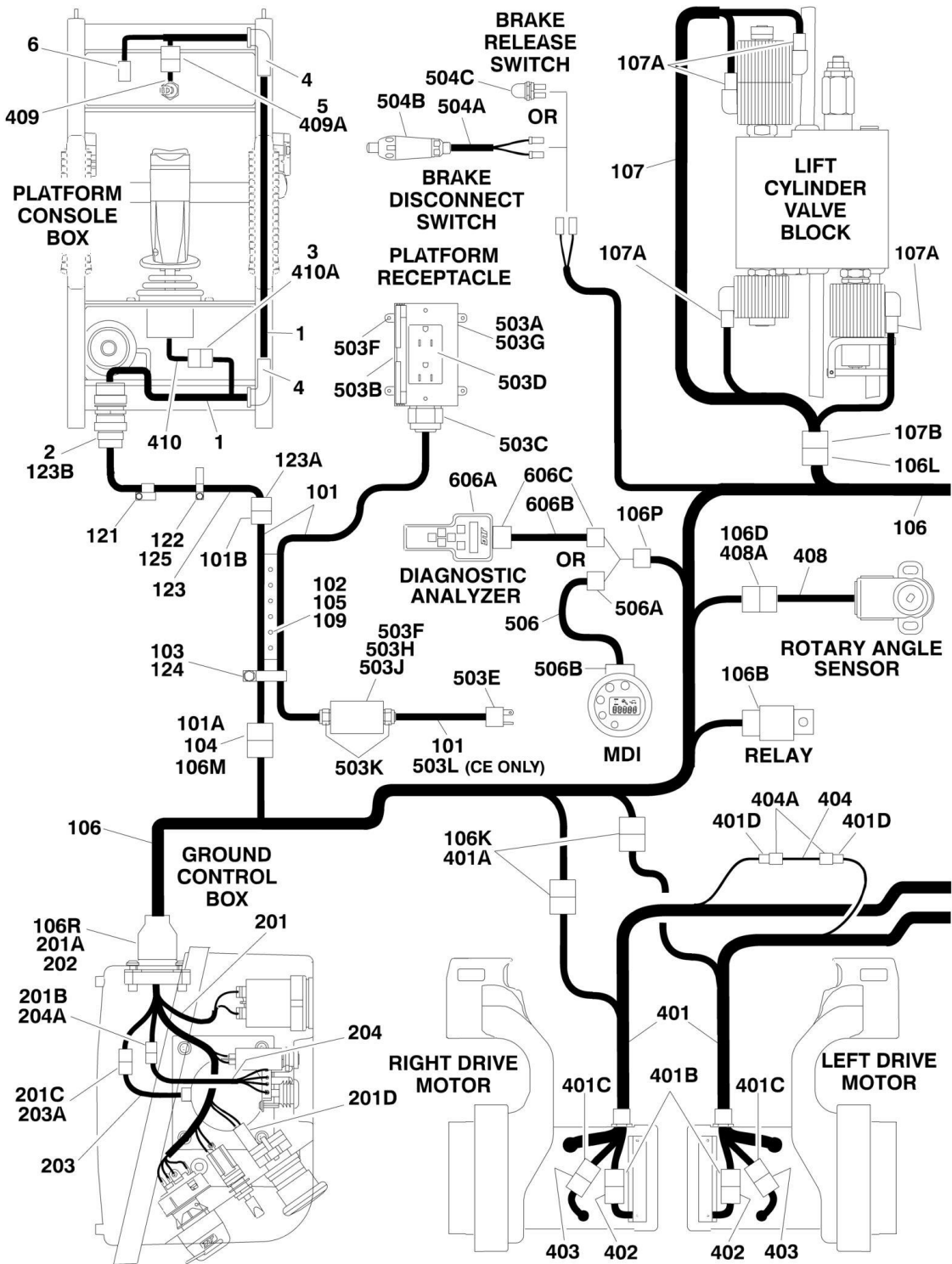


## SECTION 7 - ELECTRICAL

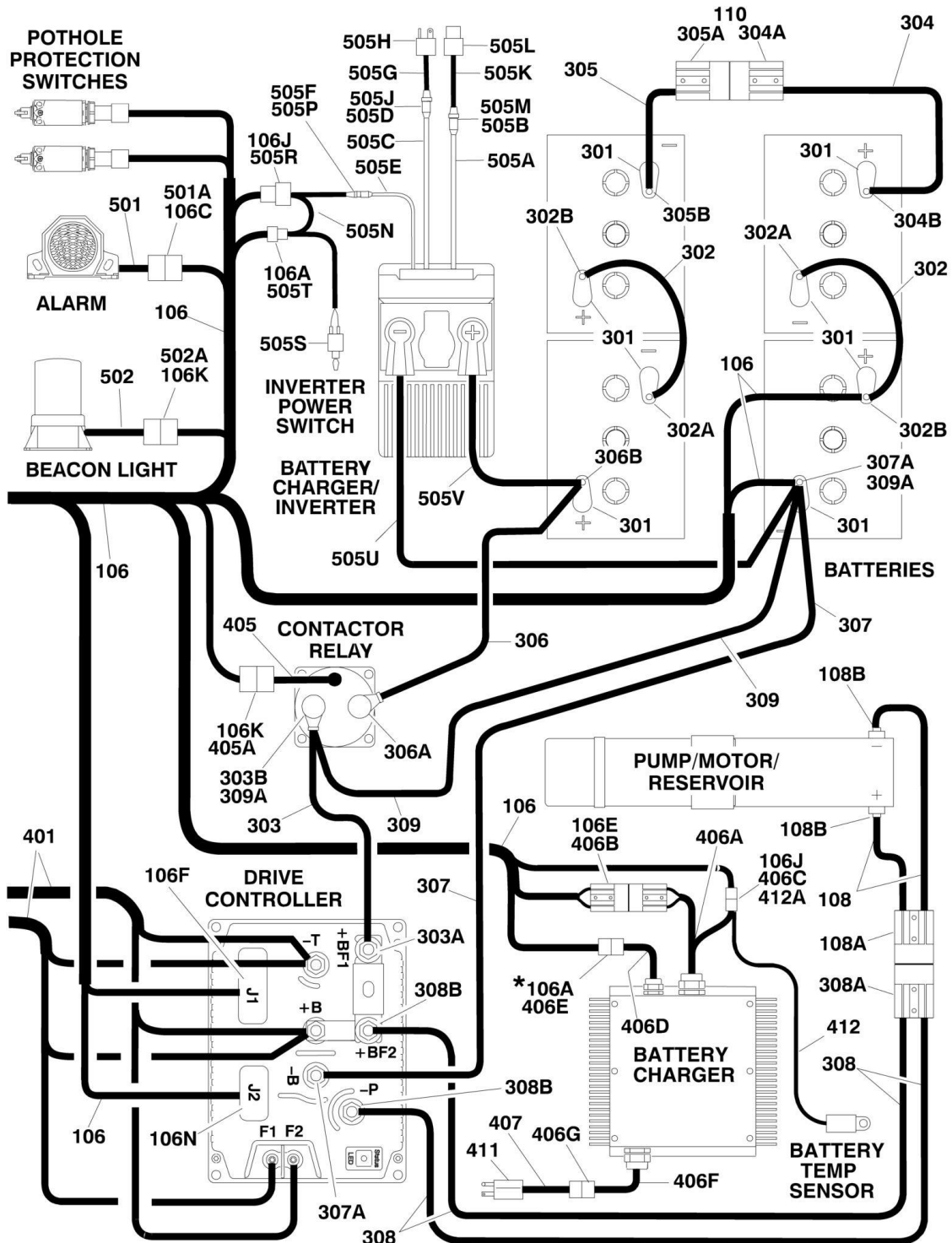
ITEM	PART NUMBER	QTY	DESCRIPTION	REV
505S	4360336	1	Switch, Toggle	
505T	4460424	2	Receptacle, Female - 2 Position	
505T	4460267	2	Pin, Male	
505U	4923392	1	Cable, Battery + to Inverter +	A
505V	4923393	1	Cable, Battery - to Inverter -	A
506	1001093556	1	MDI Harness	B
506A	4460321	1	Plug, Male	
506A	4460226	4	Socket, Female	
506B	4460868	1	Plug, Male - 6 Position	
506B	4460877	4	Terminal	
506B	1001094105	1	Boot	
		Ref	<b>TOOLS FOR SERVICE</b>	
601	7002821	1	Crimper, Wire (Not Shown)	
602	7002823	1	Extractor, Pin - Universal (Not Shown)	
603	4460467	AR	Extractor, Pin #16 Gauge (Not Shown)	
604	4460510	AR	Extractor, Pin #12 Gauge (Not Shown)	
605	7002828	1	Stripper, Wire (Not Shown)	
606	2901443	1	Analyzer Kit (Not Shown)	
606A	1600244	1	Analyzer	
606B	1060633	1	Cable, Analyzer	
606C	4460321	2	Plug, Male - 4 Position	
606C	4460226	8	Socket, Female	
607	1001137005	1	Software Cables Kit (Not Shown)	

# SECTION 7 - ELECTRICAL

FIGURE 7-2. 2030ES/2630ES ELECTRICAL COMPONENTS INSTALLATION



# SECTION 7 - ELECTRICAL



\*NOTE: THIS CONNECTION USED ONLY WHEN FOOTSWITCH OR BATTERY CHARGER INTERLOCK OPTIONS ARE REQUIRED.

# SECTION 7 - ELECTRICAL

## FIGURE 7-2. 2030ES/2630ES ELECTRICAL COMPONENTS INSTALLATION

ITEM	PART NUMBER	QTY	DESCRIPTION	REV
		Ref	<b>CONSOLE BOX COMPONENTS</b>	
1	4922870	1	Platform Box Harness	C
2	4461016	1	Connector - 14 Position	
2	4460464	6	Pin, Male	
2	4460466	8	Plug, Sealing	
2	4460496	1	Lockwasher	
2	4460497	1	Nut, Panel	
3	4460265	1	Plug, Male - 9 Position	
3	4460267	8	Pin, Male	
4	2540042	2	Grommet 90	
5	Not Available	1	Receptacle, Female - 3 Position	
6	4461057	1	Plug, Male - 16 Position	
		Ref	<b>PLATFORM CABLES INSTALLATION</b>	
	1001114883	Ref	<b>Platform Cables Installation, 2030ES (ANSI, ANSI Export, Japanese and UL Specs)</b>	D
	1001114920	Ref	<b>Platform Cables Installation, 2030ES (Australian and CE Specs)</b>	C
	1001114884	Ref	<b>Platform Cables Installation, 2630ES (ANSI, ANSI Export, Japanese and UL Specs)</b>	D
	1001114921	Ref	<b>Platform Cables Installation, 2630ES (Australian and CE Specs)</b>	C
101		Ref	Platform to Ground Harness Options:	
101	1001094155	1	Platform to Ground Harness, 2030ES ANSI, ANSI Export, Japanese and UL Specs	F
101	1001094333	1	Platform to Ground Harness, 2030ES Australian and CE Specs	D
101	1001094156	1	Platform to Ground Harness, 2630ES ANSI, ANSI Export, Japanese and UL Specs	F
101	1001094334	1	Platform to Ground Harness, 2630ES Australian and CE Specs	D
101A	4460930	1	Plug, Male - 8 Position	
101A	4460465	4	Socket, Female	
101A	4460944	3	Socket, Female (Gold)	
101A	4460466	1	Plug, Sealing	
101A	0840061	1	Boot, 8 Position Plug	
101A	2820026	AR	Insulation, Clear Tubing	
101A	2820028	AR	Heat Shrink	
101B	4460930	1	Plug, Male - 8 Position	
101B	4460465	4	Socket, Female	
101B	4460944	3	Socket, Female (Gold)	
101B	4460466	1	Plug, Sealing	
101B	0840061	1	Boot, 8 Position Plug	
101B	2820026	AR	Insulation, Clear Tubing	
101B	2820028	AR	Heat Shrink	
102	1380158	AR	Retainer	
103	Not Required	0	Not Required	
104	0100048	AR	Grease, Dielectric	
105	4740545	AR	Washer, Special Cable	
106	1001114934	1	Chassis Harness	F
106	1001115126	1	Wiring Diagram - Chassis	A
106A	4460320	1	Plug, Male - 2 Position (Note: Connection to this plug used only when footswitch or battery interlock options are required)	
106A	4460226	2	Socket, Female	

## SECTION 7 - ELECTRICAL

ITEM	PART NUMBER	QTY	DESCRIPTION	REV
106B	1001097347	1	Relay	
106B	4460374	1	Plug, Relay	
106B	4460375	3	Terminal	
106C	4460539	1	Plug, Male - 3 Position	
106C	4460465	2	Socket, Female	
106D	4460539	1	Plug, Male - 3 Position	
106D	4460465	3	Socket, Female	
106E	4460648	1	Connector, Anderson	
106F	4460873	1	Plug, Male - 35 Position	
106F	4460871	26	Socket, Female	
106J	4460894	1	Plug, Male - 6 Position	
106J	4460465	4	Socket, Female	
106K	4460897	4	Receptacle, Female - 2 Position	
106K	4460464	8	Pin, Male	
106L	4460899	1	Connector, Female - 6 Position	
106L	4460464	6	Pin, Male	
106M	4460931	1	Receptacle, Female - 8 Position	
106M	4460464	4	Pin, Male	
106M	4460943	3	Pin, Male (Gold)	
106M	0840058	1	Boot	
106N	1001096138	1	Plug, Male - 23 Position	
106N	4460871	13	Socket, Female	
106P	4460761	1	Receptacle, Female - 4 Position	
106P	4460227	4	Pin, Male	
106R	1001115076	1	Plug, Male - 18 Position	
106R	4460465	14	Socket, Female	
106R	4460942	2	Socket, Female	
107	1001115002	1	Lift Cylinder Harness	B
107A	4460891	4	Plug, Male - 2 Position	
107A	4460465	8	Socket, Female	
107B	4460894	1	Plug, Male - 6 Position	
107B	4460465	6	Socket, Female	
107B	0840059	1	Boot	
108	1001096794	1	Power to Pump Motor Harness	C
108A		Ref	Connector, Anderson Options:	
108A	Not Available	1	Connector, Anderson Red	
108A	Not Available	1	Connector, Anderson Gray	
108B	0840041	2	Boot, Terminal (Red)	
109		Ref	Screw M6 Options:	
109	0760610	AR	Screw 20mm Length	
109	0760614	AR	Screw 30mm Length	
110	4031713	1	Capscrew M6 x 45mm	
110	3290605	1	Locknut M6	
111		Ref	Battery Cable Kit Options (See Item 301- 309 for Breakdown):	
111	1001096799	1	Battery Cable Kit USA Built Machines	
111	1001115022	1	Battery Cable Kit China Built Machines	
121	1001094175	AR	Clamp, Post	
121	4010616	AR	Screw M6 x 40mm	
121	3290606	AR	Nut, Acorn M6	
122	1001094180	5	Clamp, Rail (USA Built Machines) (SN 0200198014 through 0200226731, SN 0200234120 through 0200239381)	
122	1001094180	5	Clamp, Rail (China Built Machines) (SN B200000100 through	

## SECTION 7 - ELECTRICAL

ITEM	PART NUMBER	QTY	DESCRIPTION	REV
			<b>B200014593, SN B200018670 through B200020296)</b>	
122	0760606	AR	Screw M6 x 12mm	
122	3290606	AR	Nut, Acorn M6	
123	1001096706	1	Platform to Control Box Coiled Cable Harness	C
123A	4460931	1	Receptacle, Female - 8 Position	
123A	4460464	4	Pin, Male	
123A	4460943	3	Pin, Male (Gold)	
123A	4460466	1	Plug, Sealing	
123A	0840058	1	Boot, 8 Position Receptacle	
123A	2820026	AR	Insulation, Clear Tubing	
123A	2820028	AR	Heat Shrink	
123B	4460754	1	Connector -14 Position	
123B	4460465	4	Socket, Female	
123B	4460944	3	Socket, Female	
123B	4460466	4	Plug, Sealing	
123B	3730119	1	Resistor	
123B	4460493	1	Cap, Dust	
123B	2820026	AR	Insulation, Clear Tubing	
124	1321716	2	P-Clamp, Double 1in	
124	0760610	AR	Capscrew M6 x 20mm	
124	4751400	AR	Flatwasher 1/4in Wide	
124	3290605	AR	Locknut M6	
124	3290601	AR	Nut M6	
125	1001155042	5	Strap, Cable Tie (USA Built Machines) <b>(SN 0200226731 through 0200234119)</b>	
125	1001155042	5	Strap, Cable Tie (China Built Machines) <b>(SN B200014593 through B200018669)</b>	
		Ref	<b>GROUND CONTROL BOX COMPONENTS</b>	
201	1001114935	1	Control Box Harness <b>(SN 0200198014 through 0200238465)</b>	A
201	1001167256	1	Control Box Harness <b>(SN 0200238466 through 0200239381)</b>	C
201	1001114935	1	Control Box Harness <b>(SN B200000100 through B200020296)</b>	A
201A	See Note	NSS	Receptacle, Female - 18 Position (Note: Not Available for Purchase)	
201A	See Note	NSS	Socket, Female (Note: Not Available for Purchase)	
201B	4460961	1	Receptacle, Female - 4 Position	
201B	4460267	4	Pin, Male	
201C	4461077	1	Plug, Male - 4 Position (1001114935 Harness)	
201C	4460884	1	Plug, Male - 4 Position (1001167256 Harness)	
201C	4460928	4	Socket, Female (1001114935 Harness)	
201C	4460944	4	Socket, Female (1001167256 Harness)	
201D	4460418	1	Receptacle, Female - 3 Position	
201D	4460419	3	Terminal	
202	1001114937	1	Mount, Harness Bulkhead	
203	1001114933	1	Harness, Tilt Sensor (Includes Sensor)	A
203A	4461076	1	Receptacle, Female - 4 Position	
203A	4460929	4	Pin, Male	
204	0610161	1	Harness, Charger LED (Includes PC Board)	
204A	4460321	1	Plug, Male - 4 Position	
204A	4460268	3	Socket, Female	
		Ref	<b>BATTERY CABLE KITS</b>	
	1001096799	Ref	<b>USA Built Machines</b>	C
	1001115022	Ref	<b>China Built Machines</b>	L

## SECTION 7 - ELECTRICAL

ITEM	PART NUMBER	QTY	DESCRIPTION	REV
301	0840060	8	Boot, Terminal (Gray) (Covers only the Battery Terminal Base)	
302	1060998	2	Cable, Battery (Battery Positive to Battery Negative)	E
302A	Not Available	2	Boot, Terminal (Black) (1 Per Cable Assembly)	
302B	Not Available	2	Boot, Terminal (Red) (1 Per Cable Assembly)	
303	1001114992	1	Cable, Battery (Contactor to Module B+)	A
303A	Not Available	1	Boot, Terminal (Black)	
303B	Not Available	1	Boot, Terminal (Red)	
304	4923413	NLA	Cable, Battery (LH Battery to Disconnect) (Use p/n 1001127523)	C-E
304A	4460618	1	Connector, Anderson	
304A	2560205	1	Handle, Connector	
304B	Not Available	1	Boot, Terminal (Red)	
305	4923414	1	Cable, Battery (RH Batteries to Disconnect)	E
305A	4460618	1	Connector, Anderson	
305B	Not Available	1	Boot, Terminal (Black)	
306	1001115471	1	Cable, Battery (RH Battery to Contactor)	A
306A	Not Available	1	Boot, Terminal (Black)	
306B	Not Available	1	Boot, Terminal (Red)	
307	1001115472	1	Cable, Battery (LH Battery to Connector B-)	A
307A	Not Available	1	Boot, Terminal (Black)	
308	1001096795	2	Cable, Battery (Power to Pump Motor)	C
308A		Ref	Connector, Anderson Options:	
308A	Not Available	1	Connector, Anderson Red	
308A	Not Available	1	Connector, Anderson Gray	
308B	0840041	1	Boot, Terminal (Red)	
309 AND 309	Not Required	0	Not Required	
		Ref	<b>STANDARD HARNESESSES</b>	
401		Ref	Drive Motor/Brake Harness Options:	
401	1001091843	NLA	Cable (USA Built Machines) (Use p/n 1001134012) <b>(SN 0200198014 through 0200207813)</b>	A-G
401	1001091843	NLA	Cable (China Built Machines) (Use p/n 1001134012) <b>(SN B200000100 through B200000241)</b>	A-G
401	1001132439	2	Cable (USA Built Machines) <b>(SN 0200207814 to Present)</b>	A
401	1001132439	2	Cable (China Built Machines) <b>(SN B200000242 to Present)</b>	A
401A	4460891	2	Plug, Male - 2 Position (1 Per Harness)	
401A	4460465	4	Socket, Female (2 Per Harness)	
401B	70001442	2	Plug, Male - 2 Position (1 Per Harness) (To Brake)	
401B	Not Available	4	Socket, Female (2 Per Harness) (To Brake)	
401C	70001443	2	Plug, Male - 2 Position (1 Per Harness) (To Motor)	
401C	70001444	4	Socket, Female (2 Per Harness) (To Motor)	
401D	4461261	1	Plug, Male - 1 Position	
401D	4460509	1	Terminal	
402	Not Available	2	Harness, Brake (Internal Connections - Purchase Complete Brake)	
402	Not Available	2	Receptacle, Female - 2 Position (1 Per Harness)	
402	Not Available	4	Pin, Male (2 Per Harness)	
403	Not Available	2	Harness, Motor (Internal Connections - Purchase Complete Motor)	
403	Not Available	2	Receptacle, Female - 2 Position (1 Per Harness)	
403	Not Available	4	Pin, Male (2 Per Harness)	
404	4923602	2	Harness, Field Wire Connection	B
404A	4461260	2	Receptacle, Female - 1 Position	
404A	4460508	2	Terminal	
405	3740150	1	Contactor Relay Harness (Includes Relay)	

## SECTION 7 - ELECTRICAL

ITEM	PART NUMBER	QTY	DESCRIPTION	REV
405A	4460891	1	Plug, Male - 2 Position	
405A	4460465	2	Socket, Female	
406		Ref	Battery Charger Components	
406A	Not Available		DC Harness/Cord Set	
406B	4460648	1	Plug, Anderson	
406C	4460899	1	Connector, Female - 6 Position	
406C	4460464	6	Pin, Male	
406D	Not Available	1	Harness with Connector (Note: Connection to this plug used only when battery interlock options are required)	
406E	4460424	1	Connector, Female - 2 Position (Note: Connection to this plug used only when battery interlock options are required)	
406E	4460227	2	Pin, Male	
406F	Not Available	1	AC Harness/Cord Set	
406G	Not Available	1	Connector, Female	
407		Ref	Cable, AC Power to Charger Options:	
407	1001103257	1	Cable with Factory Supplied Plug	
407	1001103258	1	Cable with Locally Supplied Plug	
408	4360526	NLA	Rotary Angle Sensor and Harness (Separate Harness Not Available) (Use p/n 1001092354)	
408A	4460536	1	Receptacle, Female - 3 Position	
408A	4460464	3	Pin, Male	
409	4360539	1	Toggle Switch and Harness (No Separate Harness Available)	
409A	Not Available	1	Plug, Male - 3 Position	
410	Not Available	1	Joystick Harness	
410A	4460266	1	Receptacle, Female - 9 Position	
410A	4460226	8	Socket, Female	
411		Ref	Plug Options:	
411	Not Available	NLA	ANSI Spec Plug (Use p/n 1001103257)	
411	Not Available	1	Australian and Japanese Specs (Purchase Locally)	
411		Ref	CE Spec Options:	
411	0275666	Ref	IEC Yellow Receptacle Installation	A
411	4461196	Ref	Receptacle, IEC Yellow	
411	0276667	Ref	IEC Blue Receptacle Installation	A
411	4661199	Ref	Receptacle, IEC Blue	
411	0275665	Ref	AFSINT 107 Keyed Ground Receptacle Installation	A
411	4661249	Ref	Receptacle, AFSINT 107 Keyed Ground	
411	0275663	Ref	CEE7 Post Ground Receptacle Installation	A
411	4661202	Ref	Receptacle, CEE7 Post Ground	
411	0275664	Ref	CEE7 Side Ground Receptacle Installation	A
411	4661205	Ref	Receptacle, CEE7 Side Ground	
412	1001112113	NLA	Battery Temperature Sensor Harness (Includes Sensor and Instructions) (Use p/n 1001127269)	
412A	4460465	2	Socket, Female	
		Ref	<b>OPTIONAL HARNESSES</b>	
501	0140043	1	Alarm and Harness (Separate Harness Not Available)	
501A	4460536	1	Receptacle, Female - 3 Position	
501A	4460464	3	Pin, Male	
502	2920161	1	Beacon Light and Harness (Separate Harness Not Available)	
502A	4460891	1	Plug, Male - 2 Position (1 Per Harness)	
502A	4460465	2	Socket, Female (2 Per Harness)	
503		Ref	Platform Electrical Outlet Components	
503		Ref	ANSI, ANSI Export, CSA, Japanese and UL Specs Options:	



## SECTION 7 - ELECTRICAL

ITEM	PART NUMBER	QTY	DESCRIPTION	REV
503	0272839	Ref	110V with Receptacle and Plug	I
503	0272843	Ref	220V without Receptacle and Plug (Locally Supplied Components)	G
503		Ref	Australian Specs Options:	
503	0272843	Ref	220V without Receptacle and Plug (Locally Supplied Components)	G
503		Ref	CE Specs Options:	
503	0275513	NLA	110V with IEC Yellow Receptacle and Plug and Circuit Breaker (Use p/n 0275487)	C
503	0272843	Ref	220V without Receptacle and Plug (Locally Supplied Components)	F
503	0275514	NLA	220V with IEC Blue Receptacle and Plug and Circuit Breaker (Use p/n 0275488)	C
503	0275512	NLA	220V with AFSINT 107 Keyed Ground Receptacle and Plug and Circuit Breaker (Use p/n 0275486)	C
503	0275510	NLA	220V with CEE7 Post Ground Receptacle and Plug and Circuit Breaker (2x4 Box) (Use p/n 0275472)	C
503	0275515	NLA	220V with CEE7 Post Ground Receptacle and Plug and Circuit Breaker (70x70 Box) (Use p/n 0275489)	D
503	0275511	NLA	220V with CEE7 Side Ground Receptacle and Plug and Circuit Breaker (2x4 Single Box) (Use p/n 0275485)	C
503	1001096628	Ref	220V with CEE7 Side Ground Receptacle and Plug and Circuit Breaker (2x4 Dual Boxes)	A
		Ref	<b>Note: Qty shown is for single Receptacle Box. Double Qty listed for Dual Receptacle Boxes.</b>	
503	0275516	NLA	220V with CEE7 Side Ground Receptacle and Plug and Circuit Breaker (70x70 Box) (Use p/n 0275490)	D
503		Ref	Decal - AC Power (Not Shown)	
503	1703464	1	Decal - AC Power 110V	
503	3252507	1	Decal - AC Power 220V	
503A		Ref	Box, Switch Options:	
503A	0861731	1	Box, Switch 0272839, 0275472, 0275485, 0275486 & 1001096628 Installations	
503A	Not Available	1	Box, Switch 0272843 Installation (Purchase Locally)	
503A	4460315	1	Box, Switch 0272839 Installation (Terminal, Spade) (Not Shown)	
503A	0861781	1	Box, Switch 0275487 & 0275488 Installations	
503A	See Note	1	Box, Switch 0275774/0275775 Installations (Note: Was p/n 0861782 which is no longer available. Use p/n 1001100344 CEE7 Side Ground Service Kit or p/n 1001100343 CEE7 Post Ground Service Kit. Kits includes Box p/n 1001141967 & Items 503B, 503D & 503E)	
503A	1001141967	1	Box, Switch 1001100344, 1001100344, 1001141970 & 1001141971 Service Kits	
503B		Ref	Cover Options:	
503B	1671207	1	Cover 0272839 Installation	
503B	Not Available	1	Cover 0272843 Installation (Purchase Locally)	
503B	4461244	1	Cover 0275472 Installation (Includes Receptacle)	
503B	4461245	1	Cover 0275485 & 1001096628 Installations (Includes Receptacle)	
503B	4461246	1	Cover 0275486 Installation (Includes Receptacle)	
503B	4461198	1	Cover 0275487 Installation (Includes Receptacle)	
503B	4461201	1	Cover 0275488 Installation (Includes Receptacle)	
503B	4461204	NLA	Cover 0275489 Installation (Includes Receptacle) (Use p/n 1001100343)	
503B	1001141971	NLA	Cover 0275489 Installation (Includes Receptacle) (Use p/n	

## SECTION 7 - ELECTRICAL

ITEM	PART NUMBER	QTY	DESCRIPTION	REV
503B	4461207	NLA	1001100343) Cover 0275490 Installation (Includes Receptacle) (Use p/n 1001100343)	
503B	1001141970	NLA	Cover 0275490 Installation (Includes Receptacle) (Use p/n 1001100343)	
503B	1001141968	1	Cover 1001100343 & 1001141971 Service Kit	
503B	1001141969	1	Cover 1001100344 & 1001141970 Service Kit	
503C		Ref	Connector, Strain Relief Options:	
503C	4460662	1	Connector, Strain Relief 0272839, 0275472, 0275485, 0275486 & 1001096628 Installations	
503C	Not Available	1	Connector, Strain Relief 0272843 Installation (Purchase Locally)	
503C	4461257	1	Connector, Strain Relief 0275487, 0275488, 0275489 & 0275490 Installations (90)	
503C	4461258	1	Connector, Strain Relief 0275487, 0275488, 0275489 & 0275490 Installations (Adapter)	
503C	4460633	1	Connector, Strain Relief 0275520 & 0275521 Installations	
503C	4460428	1	Connector, Strain Relief 0275522 & 0275523 Installations	
503D		Ref	Receptacle, Electrical Options:	
503D	4460346	1	Receptacle, Electrical 0272839 Installation	
503D	Not Available	1	Receptacle, Electrical 0272843 Installation (Purchase Locally)	
503D	4461244	1	Receptacle, Electrical 0275472 Installation (Includes Cover)	
503D	4461245	1	Receptacle, Electrical 0275485 & 1001096628 Installations (Includes Receptacle)	
503D	4461246	1	Receptacle, Electrical 0275486 Installation (Includes Cover)	
503D	4461198	1	Receptacle, Electrical 0275487 Installation (Includes Cover)	
503D	4461201	1	Receptacle, Electrical 0275488 Installation (Includes Cover)	
503D	4461204	NLA	Receptacle, Electrical 0275489 Installation (Includes Receptacle) (Use p/n 1001100343)	
503D	4461207	NLA	Receptacle, Electrical 0275490 Installation (Includes Receptacle) (Use p/n 1001100344)	
503D	1001141968	1	Receptacle, Electrical 1001100343 & 1001141971 Service Kit	
503D	1001141969	1	Receptacle, Electrical 1001100344 & 1001141970 Service Kit	
503E		Ref	Plug End Options:	
503E	4460138	1	Plug End 0272839 Installation (Male)	
503E	Not Available	1	Plug End 0272843 Installation (Purchase Locally)	
503E	4461202	1	Plug End 0275472/0275489 Installations and 1001100343/1001141971 Service Kits (Male)	
503E	4461203	1	Plug End 0275472/0275489 Installations and 1001100343/1001141971 Service Kits (Female)	
503E	4461205	1	Plug End 0275485/1001096628 Installations and 1001100344/1001141970 Service Kits (Male)	
503E	4461206	1	Plug End 0275485 & 1001096628 Installations and 1001100344/1001141970 Service Kits (Female)	
503E	4461249	1	Plug End 0275486 Installation (Male)	
503E	4461250	1	Plug End 0275486 Installation (Female)	
503E	4461196	1	Plug End 0275487 Installation (Male)	
503E	4461197	1	Plug End 0275487 Installation (Female)	
503E	4461199	1	Plug End 0275488 Installation (Male)	
503E	4461200	1	Plug End 0275488 Installation (Female)	
503E	4461202	1	Plug End 0275489 Installation (Male)	
503E	4461203	1	Plug End 0275489 Installation (Female)	

## SECTION 7 - ELECTRICAL

ITEM	PART NUMBER	QTY	DESCRIPTION	REV
503E	4461205	1	Plug End 0275490 Installation (Male)	
503E	4461206	1	Plug End 0275490 Installation (Female)	
503F		Ref	Hardware Options:	
503F	4010405	AR	Screw M4 x 10mm	
503F	4010408	AR	Screw M4 x 16mm	
503F	4010612	AR	Screw M6 x 16mm	
503F	4191706	AR	Screw M6 x 12mm	
503F	4191708	AR	Screw M6 x 20mm	
503F	0760619	AR	Screw M6 x 55mm	
503F	3290405	AR	Locknut M4	
503F	3290605	AR	Locknut M6	
503F	3290607	AR	Locknut M6	
503F	4811400	AR	Flatwasher M4	
503F	1001091102	AR	Flatwasher M4 Oversize	
503F	4811700	AR	Flatwasher M6	
503G		Ref	Bracket, Receptacle Box Mounting Options:	
503G	Not Required	0	Bracket 0272839, 0272843, 0275472, 0275485, 0275486 & 1001096628 Installations	
503G	0903569	1	Bracket 0275487, 0275488, 0275489 & 0275490 Installations	
503G	0903484	1	Bracket 1001096628 Installation (2nd Receptacle Box Only)	
503H	0903566	1	Bracket, Circuit Breaker Mounting (Required Only on CE Spec Installations except 0272843 Installation)	
503H	01001096627	1	Bracket, Circuit Breaker Mounting (Required Only on CE Spec 1001096628 Installation)	
503J	2902541	AR	Circuit Breaker Box Assembly (Required Only on CE Spec Installations except 0272843 Installation):	G
503J		Ref	Circuit Breaker Options:	
503J	1001109475	NLA	Circuit Breaker - 16A (Use p/n 1001181045)	
503J	1001109482	NLA	Circuit Breaker - 30mA (Use p/n 1001181045)	
503J	4460957	1	Terminal Block	
503J	4460956	1	Barrier, Terminal Block	
503K	1001097150	1	Connector, Strain Relief (Required Only on CE Spec Installations except 0272843 Installation)	
503L	1060908	55 in/1.4m	Cable, Extension (Required Only on CE Spec Installations except 0272843 Installation)	
503M	1060908	55 in/1.4m	Cable, Electrical (Required Only on CE Spec 1001096628 Installation) (Not Shown - Connects 2 Receptacle Boxes)	
	2902431	1	Receptacle Box Kit (110V GFI) (Includes Items 503A-503D) (0272839 Installation)	C
	0275216	1	Receptacle, Box and Plug Kit (110V IEC Yellow) (Includes Items 503A, 503B, 503C & Male 503E Plug End) (0275487 Installation)	1
	0275217	1	Receptacle, Box and Plug Kit (220V IEC Blue) (Includes Items 503A, 503B, 503D and Male 503E Plug End) (0275488 Installation)	1
	0275452	1	Receptacle Box Kit (220V CEE7 Post Ground with 2x4 Box) (Includes Items 503A, 503B, 503D and Male 503E Plug End) (0275472 Installation)	1
	0275218	NLA	Receptacle, Box and Plug Kit (220V CEE7 Post Ground with 70x70 Box) (Includes Items 503A, 503B, 503D & 503E) (0275489 Installation) (Use p/n 1001100343)	B-A
	1001141971	NLA	Receptacle, Box and Plug Kit (220V CEE7 Post Ground with 70x70 Box) (Includes Items 503A, 503B, 503D & 503E) (0275489 Installation) (Use p/n 1001100343)	B-A

## SECTION 7 - ELECTRICAL

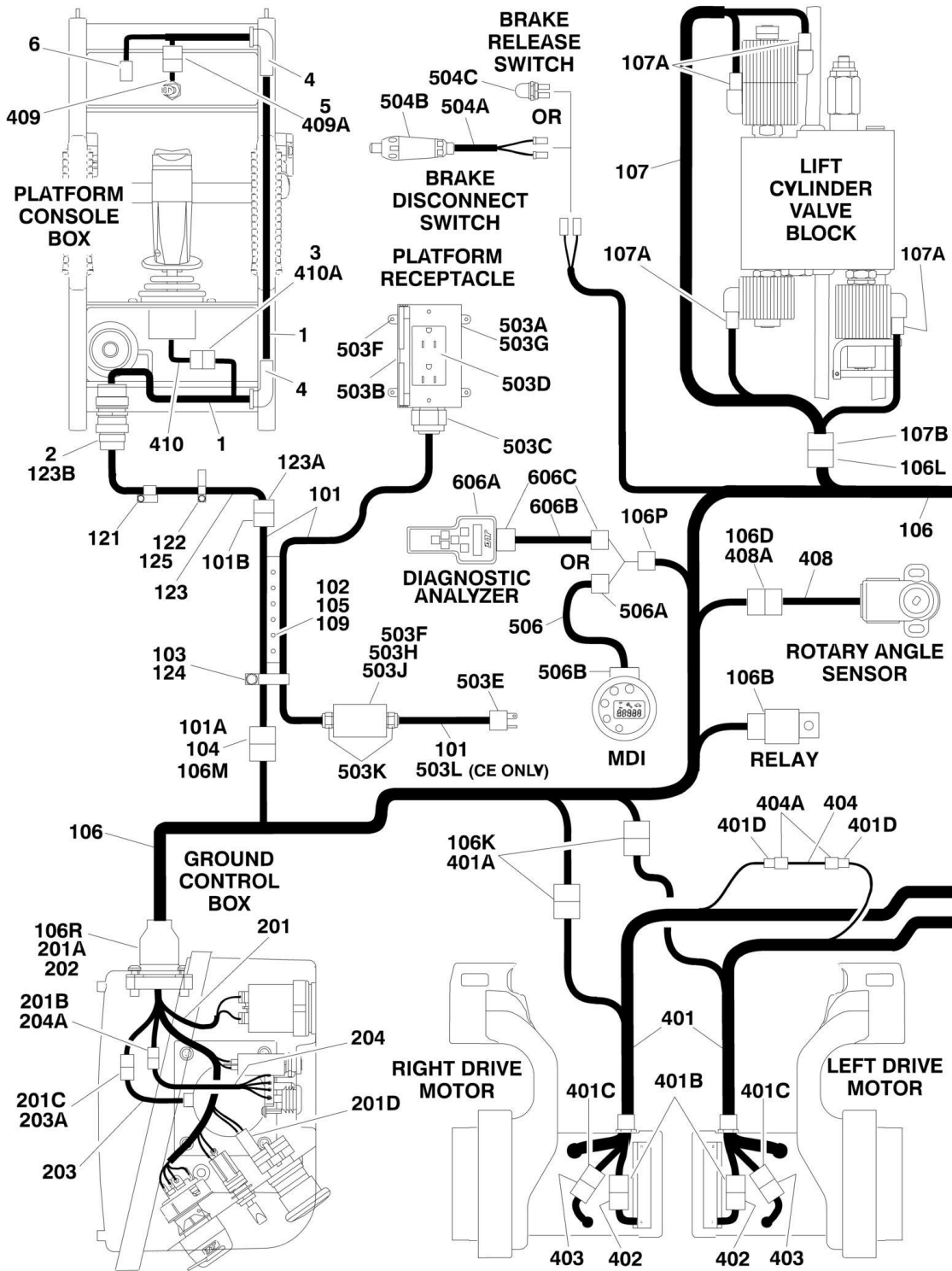
ITEM	PART NUMBER	QTY	DESCRIPTION	REV
	0275453	1	Receptacle Box Kit (220V CEE7 Side Ground with 2x4 Box) (Includes Items 503A, 503B, 503D and Male 503E Plug End) (0275485 & 1001096628 Installations)	1
	0275219	NLA	Receptacle, Box and Plug Kit (220V CEE7 Side Ground with 70x70 Box) (Includes Items 503A, 503B, 503D & 503E) (0275490 Installation) (Use p/n 1001100344)	B-A
	1001141970	NLA	Receptacle, Box and Plug Kit (220V CEE7 Side Ground with 70x70 Box) (Includes Items 503A, 503B, 503D & 503E) (0275490 Installation) (Use p/n 1001100344)	B-A
	0275454	1	Receptacle, Box and Plug Kit (220V AFSINT 107 Keyed Ground) (Includes Items 503A, 503B, 503D & Male 503E Plug End) (0275486 Installation)	1
504		Ref	Brake Disconnect/Release Switch Components	
504A	4922944	1	Brake Disconnect Harness and Switch	E
504A	1060680	15 ft/2.7m	Cable, Electrical 18/2	
504A	4240003	1	Strap, Cinch (Not Shown)	
504B	4360613	1	Switch, Limit	
504C	4360387	1	Brake Release Switch	
505		Ref	Battery Charger/Inverter Components (ANSI and CSA Option Only):	
505A	Not Available	1	AC Output Harness (Internal Part of Inverter)	
505B	Not Available	1	Receptacle, Female - 4 Position (Conxall T9014)	
505C	Not Available	1	AC Input Harness (Internal Part of Inverter)	
505D	Not Available	1	Receptacle, Female - 4 Position (Conxall T9016)	
505E	Not Available	1	Remote Control Harness (Internal Part of Inverter)	
505F	Not Available	1	Plug, Male - 8 Position (Conxall 7281-8PG-300)	
505G	4923389	NLA	AC Input Harness (Use p/n 1001091479)	A-D
505H	4460138	1	Plug, Male	
505J	Not Available	1	Plug, Male - 4 Position (Conxall T9017)	
505K	4923390	1	AC Output Harness	D
505L	4460779	1	Receptacle, Female	
505M	Not Available	1	Plug, Male - 4 Position (Conxall T9015)	
505N	4923391	1	Data Interface Harness	E
505P	Not Available	1	Plug, Male - 8 Position (Conxall 6280-8SG-318)	
505R	4460899	1	Receptacle, Female - 6 Position	
505R	4460464	4	Pin, Male	
505R	4460466	2	Plug, Seal	
505R	3990010	1	Diode 6A/600V	
505S	4360336	1	Switch, Toggle	
505T	4460424	2	Receptacle, Female - 2 Position	
505T	4460267	2	Pin, Male	
505U	4923392	1	Cable, Battery + to Inverter +	A
505V	4923393	1	Cable, Battery - to Inverter -	A
506	1001093556	1	MDI Harness	B
506A	4460321	1	Plug, Male	
506A	4460226	4	Socket, Female	
506B	4460868	1	Plug, Male - 6 Position	
506B	4460877	4	Terminal	
506B	1001094105	1	Boot	
		Ref	<b>TOOLS FOR SERVICE</b>	
601	7002821	1	Crimper, Wire (Not Shown)	
602	7002823	1	Extractor, Pin - Universal (Not Shown)	
603	4460467	AR	Extractor, Pin #16 Gauge (Not Shown)	

## SECTION 7 - ELECTRICAL

ITEM	PART NUMBER	QTY	DESCRIPTION	REV
604	4460510	AR	Extractor, Pin #12 Gauge (Not Shown)	
605	7002828	1	Stripper, Wire (Not Shown)	
606	2901443	1	Analyzer Kit (Not Shown)	
606A	1600244	1	Analyzer	
606B	1060633	1	Cable, Analyzer	
606C	4460321	2	Plug, Male - 4 Position	
606C	4460226	8	Socket, Female	
607	1001137005	1	Software Cables Kit (Not Shown)	

# SECTION 7 - ELECTRICAL

## FIGURE 7-3. 2646ES/3246ES ELECTRICAL COMPONENTS INSTALLATION





## SECTION 7 - ELECTRICAL

FIGURE 7-3. 2646ES/3246ES ELECTRICAL COMPONENTS INSTALLATION

ITEM	PART NUMBER	QTY	DESCRIPTION	REV
		Ref	<b>CONSOLE BOX COMPONENTS</b>	
1	4922870	1	Platform Box Harness	C
2	4461016	1	Connector - 14 Position	
2	4460464	6	Pin, Male	
2	4460466	8	Plug, Sealing	
2	4460496	1	Lockwasher	
2	4460497	1	Nut, Panel	
3	4460265	1	Plug, Male - 9 Position	
3	4460267	8	Pin, Male	
4	2540042	2	Grommet 90	
5	Not Available	1	Receptacle, Female - 3 Position	
6	4461057	1	Plug, Male - 16 Position	
		Ref	<b>PLATFORM CABLES INSTALLATION</b>	
	1001116632	Ref	<b>Platform Cables Installation 2646ES/3246ES (ANSI, ANSI Export, Japanese and UL Specs)</b>	D
	1001116633	Ref	<b>Platform Cables Installation 2646ES/3246ES (Australian and CE Specs)</b>	C
101		Ref	Platform to Ground Harness Options:	
101	1001094157	1	Platform to Ground Harness ANSI, ANSI Export, Japanese and UL Specs	E
101	1001094335	1	Platform to Ground Harness Australian and CE Specs	D
101A	4460930	1	Plug, Male - 8 Position	
101A	4460465	4	Socket, Female	
101A	4460944	3	Socket, Female (Gold)	
101A	4460466	1	Plug, Sealing	
101A	0840061	1	Boot, 8 Position Plug	
101A	2820026	AR	Insulation, Clear Tubing	
101A	2820028	AR	Heat Shrink	
101B	4460930	1	Plug, Male - 8 Position	
101B	4460465	4	Socket, Female	
101B	4460944	3	Socket, Female (Gold)	
101B	4460466	1	Plug, Sealing	
101B	0840061	1	Boot, 8 Position Plug	
101B	2820026	AR	Insulation, Clear Tubing	
101B	2820028	AR	Heat Shrink	
102	1380158	21	Retainer	
103	1320318	1	Clamp, Hose	
104	0100048	AR	Grease, Dielectric	
105	4740545	8	Washer, Special Cable	
106	1001116636	1	Chassis Harness	E
106	1001115126	1	Wiring Diagram - Chassis	A
106	3990013	2	Diode 1 Amp/400V (Not Shown)	
106A	4460320	1	Plug, Male - 2 Position (Note: Connection to this plug used only when footswitch or battery interlock options are required)	
106A	4460226	2	Socket, Female	
106B	1001097347	1	Relay	
106B	4460374	1	Plug, Relay	
106B	4460375	3	Terminal	
106C	4460539	1	Plug, Male - 3 Position	
106C	4460465	2	Socket, Female	



## SECTION 7 - ELECTRICAL

ITEM	PART NUMBER	QTY	DESCRIPTION	REV
106D	4460539	1	Plug, Male - 3 Position	
106D	4460465	3	Socket, Female	
106E	4460648	1	Connector, Anderson	
106F	4460873	1	Plug, Male - 35 Position	
106F	4460871	26	Socket, Female	
106J	4460894	1	Plug, Male - 6 Position	
106J	4460465	4	Socket, Female	
106K	4460897	4	Receptacle, Female - 2 Position	
106K	4460464	8	Pin, Male	
106L	4460899	1	Connector, Female - 6 Position	
106L	4460464	6	Pin, Male	
106M	4460931	1	Receptacle, Female - 8 Position	
106M	4460464	4	Pin, Male	
106M	4460943	3	Pin, Male (Gold)	
106M	0840058	1	Boot	
106N	1001096138	1	Plug, Male - 23 Position	
106N	4460871	13	Socket, Female	
106P	4460761	1	Receptacle, Female - 4 Position	
106P	4460227	4	Pin, Male	
106R	1001115076	1	Plug, Male - 18 Position	
106R	4460465	14	Socket, Female	
106R	4460942	2	Socket, Female	
107	1001115002	1	Lift Cylinder Harness Options:	B
107A	4460891	4	Plug, Male - 2 Position	
107A	4460465	8	Socket, Female	
107B	4460894	1	Plug, Male - 6 Position	
107B	4460465	6	Socket, Female	
107B	0840059	1	Boot	
108	1001093693	1	Power to Pump Motor Harness	B
108A		Ref	Connector, Anderson Options:	
108A	Not Available	1	Connector, Anderson Red	
108A	Not Available	1	Connector, Anderson Gray	
108B	0840041	2	Boot, Terminal (Red)	
109		Ref	Screw M6 Options:	
109	0760610	AR	Screw 20mm Length	
109	0760614	AR	Screw 30mm Length	
110	4031713	1	Capscrew M6 x 45mm	
110	3290605	1	Locknut M6	
111	1001116637	1	Battery Cable Kit (See Items 301-309 for Breakdown)	
121	1001094175	AR	Clamp, Post	
121	4010616	AR	Screw M6 x 40mm	
121	3290606	AR	Nut, Acorn M6	
122	1001094180	4	Clamp, Rail (USA Built Machines) <b>(SN 0200198014 through 0200226731, SN 0200234120 through 0200239381)</b>	
122	1001094180	4	Clamp, Rail (China Built Machines) <b>(SN B200000100 through B200014593, SN B200018670 through B200020296)</b>	
122	0760606	AR	Screw M6 x 12mm	
122	3290606	AR	Nut, Acorn M6	
123	1001096707	1	Platform to Control Box Coiled Cable Harness	B
123A	4460931	1	Receptacle, Female - 8 Position	
123A	4460464	4	Pin, Male	
123A	4460943	3	Pin, Male (Gold)	

## SECTION 7 - ELECTRICAL

ITEM	PART NUMBER	QTY	DESCRIPTION	REV
123A	4460466	1	Plug, Sealing	
123A	0840058	1	Boot, 8 Position Receptacle	
123A	2820026	AR	Insulation, Clear Tubing	
123A	2820028	AR	Heat Shrink	
123B	4460754	1	Connector -14 Position	
123B	4460465	4	Socket, Female	
123B	4460944	3	Socket, Female	
123B	4460466	4	Plug, Sealing	
123B	3730119	1	Resistor	
123B	4460493	1	Cap, Dust	
123B	2820026	AR	Insulation, Clear Tubing	
124	1321716	2	P-Clamp, Double 1in	
124	0700814	AR	Capscrew M6 x 20mm	
124	4751400	AR	Flatwasher 1/4in Wide	
124	3290605	AR	Locknut M6	
124	3290601	AR	Nut M6	
125	1001155042	4	Strap, Cable Tie (USA Built Machines) <b>(SN 0200226731 through 0200234119)</b>	
125	1001155042	4	Strap, Cable Tie (China Built Machines) <b>(SN B200014593 through B200018669)</b>	
		Ref	<b>GROUND CONTROL BOX COMPONENTS</b>	
201	1001114935	1	Control Box Harness <b>(SN 0200198014 through 0200238465)</b>	A
201	1001167256	1	Control Box Harness <b>(SN 0200238466 through 0200239381)</b>	C
201	1001114935	1	Control Box Harness <b>(SN B200000100 through B200020296)</b>	A
201A	See Note	NSS	Receptacle, Female - 18 Position (Note: Not Available for Purchase)	
201A	See Note	NSS	Socket, Female (Note: Not Available for Purchase)	
201B	4460961	1	Receptacle, Female - 4 Position	
201B	4460267	4	Pin, Male	
201C	4461077	1	Plug, Male - 4 Position (1001114935 Harness)	
201C	4460884	1	Plug, Male - 4 Position (1001167256 Harness)	
201C	4460928	4	Socket, Female (1001114935 Harness)	
201C	4460944	4	Socket, Female (1001167256 Harness)	
201D	4460418	1	Receptacle, Female - 3 Position	
201D	4460419	3	Terminal	
202	1001114937	1	Mount, Harness Bulkhead	
203	1001114933	1	Harness, Tilt Sensor (Includes Sensor)	A
203A	4461076	1	Receptacle, Female - 4 Position	
203A	4460929	4	Pin, Male	
204	0610161	1	Harness, Charger LED (Includes PC Board)	
204A	4460321	1	Plug, Male - 4 Position	
204A	4460268	3	Socket, Female	
	1001116637	Ref	<b>BATTERY CABLE KITS</b>	C
301	0840060	8	Boot, Terminal (Gray) (Covers only the Battery Terminal Base)	
302	1060998	2	Cable, Battery (Battery Positive to Battery Negative)	E
302A	Not Available	2	Boot, Terminal (Black) (1 Per Cable Assembly)	
302B	Not Available	2	Boot, Terminal (Red) (1 Per Cable Assembly)	
303	1001114992	1	Cable, Battery (Contactor to Drive Module B+)	A
303A	Not Available	1	Boot, Terminal (Black)	
303B	Not Available	1	Boot, Terminal (Red)	
304	4923401	1	Cable, Battery (LH Battery to Disconnect)	C
304A	4460618	1	Connector, Anderson	

## SECTION 7 - ELECTRICAL

ITEM	PART NUMBER	QTY	DESCRIPTION	REV
304A	2560205	1	Handle, Connector	
304B	Not Available	1	Boot, Terminal (Red)	
305	4923402	1	Cable, Battery (RH Batteries to Disconnect)	B
305A	4460618	1	Connector, Anderson	
305B	Not Available	1	Boot, Terminal (Black)	
306	4923406	1	Cable, Battery (RH Battery to Contactor)	B
306A	Not Available	1	Boot, Terminal (Black)	
306B	Not Available	1	Boot, Terminal (Red)	
307	4923409	1	Cable, Battery (LH Battery to Connector B-)	B
307A	Not Available	1	Boot, Terminal (Black)	
308	1001096796	2	Cable, Battery (Power to Pump Motor)	B
308A		Ref	Connector, Anderson Options:	
308A	Not Available	1	Connector, Anderson Red	
308A	Not Available	1	Connector, Anderson Gray	
308B	0840041	1	Boot, Terminal (Red)	
309	Not Required	0	Cable, Battery (LH Battery to Contactor)	
309A	Not Required	0	Boot, Terminal (Red)	
		Ref	<b>STANDARD HARNESES</b>	
401		Ref	Drive Motor/Brake Harness Options:	
401	1001091843	NLA	Cable USA Built Machines (Use p/n 1001134012) <b>(SN 0200198014 through 0200207813)</b>	A-G
401	1001091843	NLA	Cable China Built Machines (Use p/n 1001134012) <b>(SN B200000100 through B200000241)</b>	A-G
401	1001132439	2	Cable USA Built Machines <b>(SN 0200207814 through 0200239381)</b>	A
401	1001132439	1	Cable China Built Machines <b>(SN B200000242 through B200020296)</b>	A
401A	4460891	2	Plug, Male - 2 Position (1 Per Harness)	
401A	4460465	4	Socket, Female (2 Per Harness)	
401B	70001442	2	Plug, Male - 2 Position (1 Per Harness) (To Brake)	
401B	Not Available	4	Socket, Female (2 Per Harness) (To Brake)	
401C	70001443	2	Plug, Male - 2 Position (1 Per Harness) (To Motor)	
401C	70001444	4	Socket, Female (2 Per Harness) (To Motor)	
401D	4461261	1	Plug, Male - 1 Position	
401D	4460509	1	Terminal	
402	Not Available	2	Harness, Brake (Internal Connections - Purchase Complete Brake)	
402	Not Available	2	Receptacle, Female - 2 Position (1 Per Harness)	
402	Not Available	4	Pin, Male (2 Per Harness)	
403	Not Available	2	Harness, Motor (Internal Connections - Purchase Complete Motor)	
403	Not Available	2	Receptacle, Female - 2 Position (1 Per Harness)	
403	Not Available	4	Pin, Male (2 Per Harness)	
404	4923602	2	Harness, Field Wire Connection	B
404A	4461260	2	Receptacle, Female - 1 Position	
404A	4460508	2	Terminal	
405	3740150	1	Contacting Relay Harness (Includes Relay)	
405A	4460891	1	Plug, Male - 2 Position	
405A	4460465	2	Socket, Female	
406		Ref	Battery Charger Components	
406A	Not Available		DC Harness/Cord Set	
406B	4460648	1	Plug, Anderson	
406C	4460899	1	Connector, Female - 6 Position	
406C	4460464	6	Pin, Male	

## SECTION 7 - ELECTRICAL

ITEM	PART NUMBER	QTY	DESCRIPTION	REV
406D	Not Available	1	Harness with Connector (Note: Connection to this plug used only when battery interlock options are required)	
406E	4460424	1	Connector, Female - 2 Position (Note: Connection to this plug used only when battery interlock options are required)	
406E	4460227	2	Pin, Male	
406F	Not Available	1	AC Harness/Cord Set	
406G	Not Available	1	Connector, Female	
407		Ref	Cable, AC Power to Charger Options:	
407	1001103257	1	Cable with Factory Supplied Plug	
407	1001103258	1	Cable with Locally Supplied Plug	
408	4360526	NLA	Rotary Angle Sensor and Harness (Separate Harness Not Available) (Use p/n 1001092354)	
408A	4460536	1	Receptacle, Female - 3 Position	
408A	4460464	3	Pin, Male	
409	4360539	1	Toggle Switch and Harness (No Separate Harness Available)	
409A	Not Available	1	Plug, Male - 3 Position	
410	Not Available	1	Joystick Harness	
410A	4460266	1	Receptacle, Female - 9 Position	
410A	4460226	8	Socket, Female	
411		Ref	Plug Options:	
411	Not Available	NLA	ANSI Spec Plug (Use p/n 1001103257)	
411	Not Available	1	Australian and Japanese Specs (Purchase Locally)	
411		Ref	CE Spec Options:	
411	0275666	Ref	IEC Yellow Receptacle Installation	A
411	4461196	Ref	Receptacle, IEC Yellow	
411	0276667	Ref	IEC Blue Receptacle Installation	A
411	4661199	Ref	Receptacle, IEC Blue	
411	0275665	Ref	AFSINT 107 Keyed Ground Receptacle Installation	A
411	4661249	Ref	Receptacle, AFSINT 107 Keyed Ground	
411	0275663	Ref	CEE7 Post Ground Receptacle Installation	A
411	4661202	Ref	Receptacle, CEE7 Post Ground	
411	0275664	Ref	CEE7 Side Ground Receptacle Installation	A
411	4661205	Ref	Receptacle, CEE7 Side Ground	
412	1001112113	NLA	Battery Temperature Sensor Harness (Includes Sensor and Instructions) (Use p/n 1001127269)	
412A	4460465	2	Socket, Female	
		Ref	<b>OPTIONAL HARNESES</b>	
501	0140043	1	Alarm and Harness (Separate Harness Not Available)	
501A	4460536	1	Receptacle, Female - 3 Position	
501A	4460464	3	Pin, Male	
502	2920161	1	Beacon Light and Harness (Separate Harness Not Available)	
502A	4460891	1	Plug, Male - 2 Position (1 Per Harness)	
502A	4460465	2	Socket, Female (2 Per Harness)	
503		Ref	Platform Electrical Outlet Components	
503		Ref	ANSI, ANSI Export, CSA, Japanese and UL Specs Options:	
503	0272839	Ref	110V with Receptacle and Plug	I
503	0272843	Ref	220V without Receptacle and Plug (Locally Supplied Components)	G
503		Ref	Australian Specs Options:	
503	0272843	Ref	220V without Receptacle and Plug (Locally Supplied Components)	G
503		Ref	CE Specs Options:	
503	0275520	NLA	110V with IEC Yellow Receptacle and Plug and Circuit Breaker	C

## SECTION 7 - ELECTRICAL

ITEM	PART NUMBER	QTY	DESCRIPTION	REV
503	0272843	Ref	(Use p/n 0275487) 220V without Receptacle and Plug (Locally Supplied Components) (All Models)	G
503	0275521	NLA	220V with IEC Blue Receptacle and Plug and Circuit Breaker (Use p/n 0275488)	C
503	0275519	NLA	220V with AFSINT 107 Keyed Ground Receptacle and Plug and Circuit Breaker (Use p/n 0275486)	C
503	0275517	NLA	220V with CEE7 Post Ground Receptacle and Plug and Circuit Breaker (2x4 Box) (Use p/n 0275472)	C
503	0275522	NLA	220V with CEE7 Post Ground Receptacle and Plug and Circuit Breaker (70x70 Box) (Use p/n 0275489)	D
503	0275518	NLA	220V with CEE7 Side Ground Receptacle and Plug and Circuit Breaker (2x4 Single Box) (Use p/n 0275485)	C
503	1001096628	Ref	220V with CEE7 Side Ground Receptacle and Plug and Circuit Breaker (2x4 Dual Boxes) (Note: Qty shown is for single Receptacle Box. Double Qty listed for Dual Receptacle Boxes)	A
503	0275523	NLA	220V with CEE7 Side Ground Receptacle and Plug and Circuit Breaker (70x70 Box) (Use p/n 0275490)	D
503		Ref	Decal - AC Power (Not Shown)	
503	1703464	1	Decal - AC Power 110V	
503	3252507	1	Decal - AC Power 220V	
503A		Ref	Box, Switch Options:	
503A	0861731	1	Box, Switch 0272839, 0275472, 0275485, 0275486 & 1001096628 Installations	
503A	Not Available	1	Box, Switch 0272843 Installation (Purchase Locally)	
503A	4460315	1	Box, Switch 0272839 Installation (Terminal, Spade) (Not Shown)	
503A	0861781	1	Box, Switch 0275487 & 0275488 Installations	
503A	See Note	1	Box, Switch 0275774/0275775 Installations (Note: Was p/n 0861782 which is no longer available. Use p/n 1001100344 CEE7 Side Ground Service Kit or p/n 1001100343 CEE7 Post Ground Service Kit. Kits includes Box p/n 1001141967 & Items 503B, 503D & 503E)	
503A	1001141967	1	Box, Switch 1001100343, 1001100344, 1001141970 & 1001141971 Service Kits	
503B		Ref	Cover Options:	
503B	1671207	1	Cover 0272839 Installation	
503B	Not Available	1	Cover 0272843 Installation (Purchase Locally)	
503B	4461244	1	Cover 0275472 Installation (Includes Receptacle)	
503B	4461245	1	Cover 0275485 & 1001096628 Installations (Includes Receptacle)	
503B	4461246	1	Cover 0275486 Installation (Includes Receptacle)	
503B	4461198	1	Cover 0275487 Installation (Includes Receptacle)	
503B	4461201	1	Cover 0275488 Installation (Includes Receptacle)	
503B	4461204	NLA	Cover 0275489 Installation (Includes Receptacle) (Use p/n 1001100343)	
503B	1001141971	NLA	Cover 0275489 Installation (Includes Receptacle) (Use p/n 1001100343)	
503B	4461207	NLA	Cover 0275490 Installation (Includes Receptacle) (Use p/n 1001100344)	
503B	1001141970	NLA	Cover 0275490 Installation (Includes Receptacle) (Use p/n 1001100344)	
503B	1001141968	1	Cover 1001100343 & 1001141971 Service Kits	
503B	1001141969	1	Cover 1001100343 & 1001141970 Service Kits	
503C		Ref	Connector, Strain Relief Options:	
503C	4460662	1	Connector, Strain Relief 0272839, 0275472, 0275485,	

## SECTION 7 - ELECTRICAL

ITEM	PART NUMBER	QTY	DESCRIPTION	REV
503C	Not Available	1	0275486 & 1001096628 Installations Connector, Strain Relief 0272843 Installation (Purchase Locally)	
503C	4461257	1	Connector, Strain Relief 0275487, 0275488, 0275489 & 0275490 Installations (90)	
503C	4461258	1	Connector, Strain Relief 0275487, 0275488, 0275489 & 0275490 Installations (Adapter)	
503C	4460633	1	Connector, Strain Relief 0275520 & 0275521 Installations	
503C	4460428	1	Connector, Strain Relief 0275522 & 0275523 Installations	
503D		Ref	Receptacle, Electrical Options:	
503D	4460346	1	Receptacle, Electrical 0272839 Installation	
503D	Not Available	1	Receptacle, Electrical 0272843 Installation (Purchase Locally)	
503D	4461244	1	Receptacle, Electrical 0275472 Installation (Includes Cover)	
503D	4461245	1	Receptacle, Electrical 0275485 & 1001096628 Installations (Includes Receptacle)	
503D	4461246	1	Receptacle, Electrical 0275486 Installation (Includes Cover)	
503D	4461198	1	Receptacle, Electrical 0275487 Installation (includes Cover)	
503D	4461201	1	Receptacle, Electrical 0275488 Installation (Includes Cover)	
503D	4461204	NLA	Receptacle, Electrical 0275489 Installation (Includes Receptacle) (Use p/n 1001100343)	
503D	1001141971	NLA	Receptacle, Electrical 0275489 Installation (Includes Receptacle) (Use p/n 1001100343)	
503D	4461207	NLA	Receptacle, Electrical 0275490 Installation (Includes Receptacle) (Use p/n 1001100344)	
503D	1001141970	NLA	Receptacle, Electrical 0275490 Installation (Includes Receptacle) (Use p/n 1001100344)	
503D	1001141968	1	Receptacle, Electrical 1001100343 & 1001141971 Service Kits	
503D	1001141969	1	Receptacle, Electrical 1001100343 & 1001141970 Service Kits	
503E		Ref	Plug End Options:	
503E	4460138	1	Plug End 0272839 Installation (Male)	
503E	Not Available	1	Plug End 0272843 Installation (Purchase Locally)	
503E	4461202	1	Plug End 0275472/0275489 Installations and 1001100343/1001141971 Service Kits (Male)	
503E	4461203	1	Plug End 0275472/0275489 Installations and 1001100343/1001141971 Service Kits (Female)	
503E	4461205	1	Plug End 0275485/1001096628 Installations and 1001100344/1001141970 Service Kits (Male)	
503E	4461206	1	Plug End 0275485/1001096628 Installations and 1001100344/1001141970 Service Kits (Female)	
503E	4461249	1	Plug End 0275486 Installation (Male)	
503E	4461250	1	Plug End 0275486 Installation (Female)	
503E	4461196	1	Plug End 0275487 Installation (Male)	
503E	4461197	1	Plug End 0275487 Installation (Female)	
503E	4461199	1	Plug End 0275488 Installation (Male)	
503E	4461200	1	Plug End 0275488 Installation (Female)	
503E	4461202	1	Plug End 0275489 Installation (Male)	
503E	4461203	1	Plug End 0275489 Installation (Female)	
503E	4461205	1	Plug End 0275490 Installation (Male)	
503E	4461206	1	Plug End 0275490 Installation (Female)	
503F		Ref	Hardware Options:	
503F	4010405	AR	Screw M4 x 10mm	
503F	4010408	AR	Screw M4 x 16mm	

## SECTION 7 - ELECTRICAL

ITEM	PART NUMBER	QTY	DESCRIPTION	REV
503F	4010612	AR	Screw M6 x 16mm	
503F	4191706	AR	Screw M6 x 12mm	
503F	4191708	AR	Screw M6 x 20mm	
503F	0760619	AR	Screw M6 x 55mm	
503F	3290405	AR	Locknut M4	
503F	3290605	AR	Locknut M6	
503F	3290607	AR	Locknut M6	
503F	4811400	AR	Flatwasher M4	
503F	1001091102	AR	Flatwasher M4 Oversize	
503F	4811700	AR	Flatwasher M6	
503G		Ref	Bracket, Receptacle Box Mounting Options:	
503G	Not Required	0	Bracket, Receptacle Box Mounting 0272839, 0272843, 0275472, 0275485, 0275486 & 1001096628 Installations	
503G	0903569	1	Bracket, Receptacle Box Mounting 0275487, 0275488, 0275489 & 0275490 Installations	
503G	0903484	1	Bracket, Receptacle Box Mounting 1001096628 Installation (2nd Receptacle Box Only)	
503H	0903566	1	Bracket, Circuit Breaker Mounting (Required Only on CE Spec Installations except 0272843 Installation)	
503H	1001096627	1	Bracket, Circuit Breaker Mounting (Required Only on CE Spec 1001096628 Installation)	
503J	2902541	AR	Circuit Breaker Box Assembly (Required Only on CE Spec Installations except 0272843 Installation):	G
503J		Ref	Circuit Breaker Options:	
503J	1001109475	NLA	Circuit Breaker - 16A (Use p/n 1001181045)	
503J	1001109482	NLA	Circuit Breaker - 30mA (Use p/n 1001181045)	
503J	4460957	1	Terminal Block	
503J	4460956	1	Barrier, Terminal Block	
503K	1001097150	1	Connector, Strain Relief (Required Only on CE Spec Installations except 0272843 Installation)	
503L	1060908	55 in/1.4m	Cable, Extension (Required Only on CE Spec Installations except 0272843 Installation)	
503M	1060908	55 in/1.4m	Cable, Electrical (Required Only on CE Spec 1001096628 Installation) (Not Shown - Connects 2 Receptacle Boxes)	
	2902431	1	Receptacle Box Kit (110V GFI) (Includes Items 503A-503D) (0272839 Installation)	C
	0275216	1	Receptacle, Box and Plug Kit (110V IEC Yellow) (Includes Items 503A, 503B, 503C & Male 503E Plug End) (0275487 Installation)	1
	0275217	1	Receptacle, Box and Plug Kit (220V IEC Blue) (Includes Items 503A, 503B, 503D & Male 503E Plug End) (0275488 Installation)	1
	0275452	1	Receptacle Box Kit (220V CEE7 Post Ground with 2x4 Box) (Includes Items 503A, 503B, 503D & Male 503E Plug End) (0275472 Installation)	1
	0275218	NLA	Receptacle, Box and Plug Kit (220V CEE7 Post Ground with 70x70 Box) (Includes Items 503A, 503B, 503D & 503E) (0275489 Installation) (Use p/n 1001141971)	B-A
	1001141971	NLA	Receptacle, Box and Plug Kit (220V CEE7 Post Ground with 70x70 Box) (Includes Items 503A, 503B, 503D & 503E) (0275489 Installation)	B-A
	0275453	1	Receptacle Box Kit (220V CEE7 Side Ground with 2x4 Box) (Includes Items 503A, 503B, 503D & Male 503E Plug End) (0275485 & 1001096628 Installation)	1
	0275219	NLA	Receptacle, Box and Plug Kit (220V CEE7 Side Ground with 70x70 Box) (Includes Items 503A, 503B, 503D & 503E) (0275490 Installation) (Use p/n 1001141970)	B-A

## SECTION 7 - ELECTRICAL

ITEM	PART NUMBER	QTY	DESCRIPTION	REV
	1001141970	NLA	Receptacle, Box and Plug Kit (220V CEE7 Side Ground with 70x70 Box) (Includes Items 503A, 503B, 503D & 503E) (0275490 Installation)	B-A
	0275454	1	Receptacle, Box and Plug Kit (220V AFSINT 107 Keyed Ground) (Includes Items 503A, 503B, 503D & Male 503E Plug End) (0275486 Installation)	1
504		Ref	Brake Disconnect/Release Switch Components	
504A	4922944	1	Brake Disconnect Harness and Switch	E
504A	1060680	15 ft/2.7m	Cable, Electrical 18/2	
504A	4240003	1	Strap, Cinch (Not Shown)	
504B	4360613	1	Switch, Limit	
504C	4360387	1	Brake Release Switch	
505		Ref	Battery Charger/Inverter Components (ANSI and CSA Option Only):	
505A	Not Available	1	AC Output Harness (Internal Part of Inverter)	
505B	Not Available	1	Receptacle, Female - 4 Position (Conxall T9014)	
505C	Not Available	1	AC Input Harness (Internal Part of Inverter)	
505D	Not Available	1	Receptacle, Female - 4 Position (Conxall T9016)	
505E	Not Available	1	Remote Control Harness (Internal Part of Inverter)	
505F	Not Available	1	Plug, Male - 8 Position (Conxall 7281-8PG-300)	
505G	4923389	NLA	AC Input Harness (Use p/n 1001091479)	A-D
505H	4460138	1	Plug, Male	
505J	Not Available	1	Plug, Male - 4 Position (Conxall T9017)	
505K	4923390	1	AC Output Harness	D
505L	4460779	1	Receptacle, Female	
505M	Not Available	1	Plug, Male - 4 Position (Conxall T9015)	
505N	4923391	1	Data Interface Harness	E
505P	Not Available	1	Plug, Male - 8 Position (Conxall 6280-8SG-318)	
505R	4460899	1	Receptacle, Female - 6 Position	
505R	4460464	4	Pin, Male	
505R	4460466	2	Plug, Seal	
505R	3990010	1	Diode 6A/600V	
505S	4360336	1	Switch, Toggle	
505T	4460424	2	Receptacle, Female - 2 Position	
505T	4460267	2	Pin, Male	
505U	4923392	1	Cable, Battery + to Inverter +	A
505V	4923393	1	Cable, Battery - to Inverter -	A
506	1001093556	1	MDI Harness	B
506A	4460321	1	Plug, Male	
506A	4460226	4	Socket, Female	
506B	4460868	1	Plug, Male - 6 Position	
506B	4460877	4	Terminal	
506B	1001094105	1	Boot	
		Ref	<b>Tools for Service</b>	
601	7002821	1	Crimper, Wire (Not Shown)	
602	7002823	1	Extractor, Pin - Universal (Not Shown)	
603	4460467	AR	Extractor, Pin #16 Gauge (Not Shown)	
604	4460510	AR	Extractor, Pin #12 Gauge (Not Shown)	
605	7002828	1	Stripper, Wire (Not Shown)	
606	2901443	1	Analyzer Kit (Not Shown)	
606A	1600244	1	Analyzer	
606B	1060633	1	Cable, Analyzer	



## SECTION 7 - ELECTRICAL

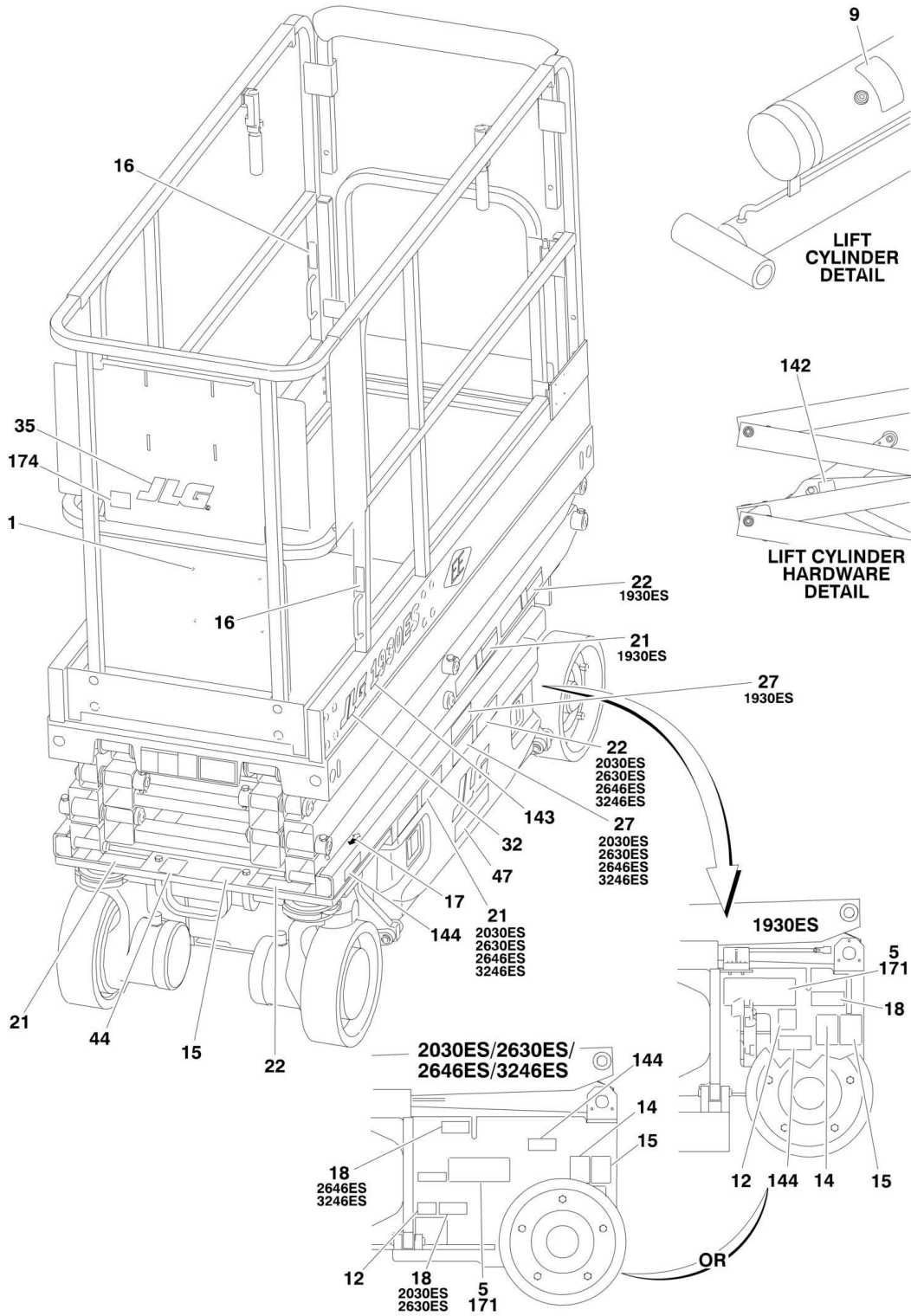
ITEM	PART NUMBER	QTY	DESCRIPTION	REV
606C	4460321	2	Plug, Male - 4 Position	
606C	4460226	8	Socket, Female	
607	1001137005	1	Software Cables Kit (Not Shown)	



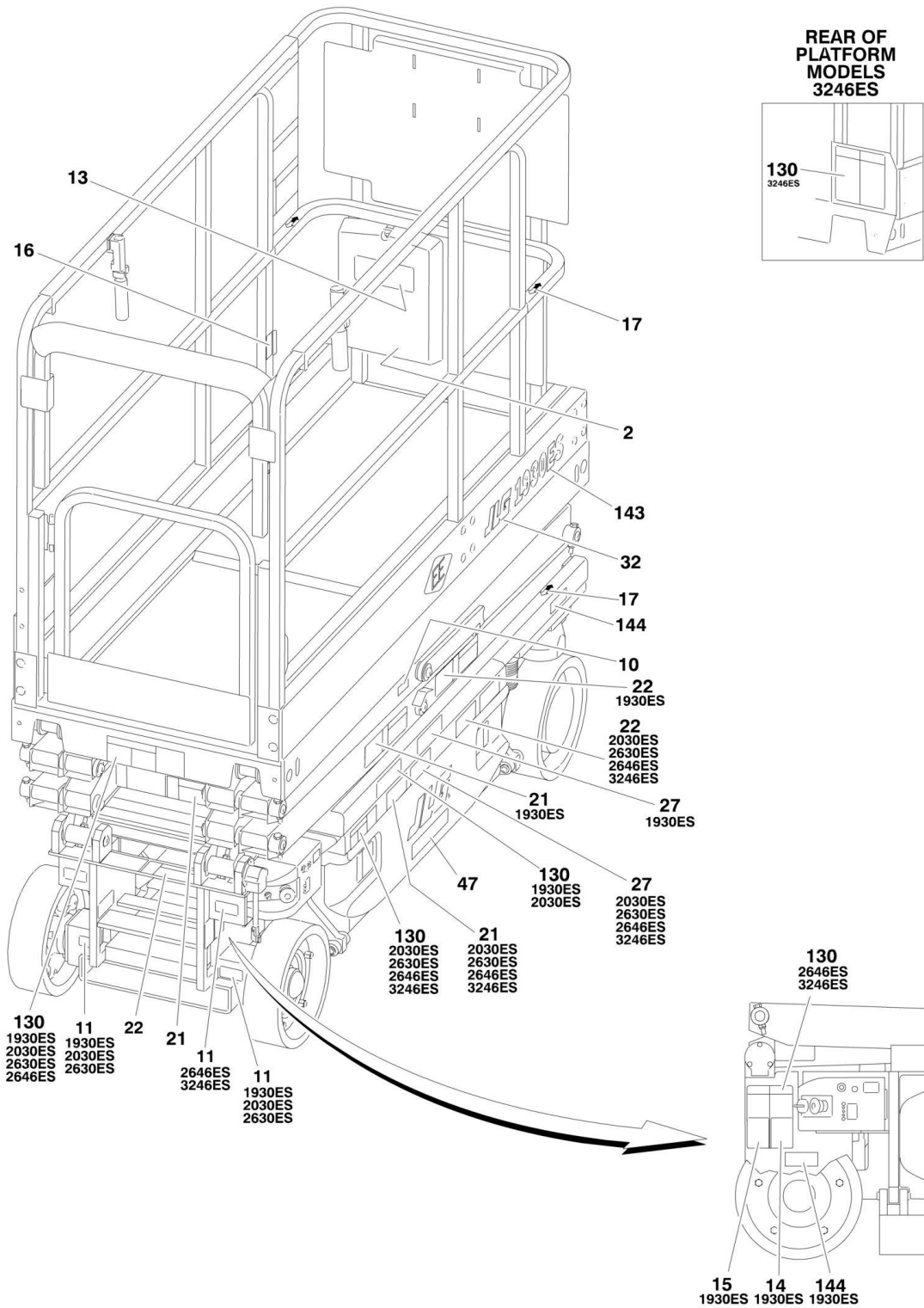
**SECTION 8 - DECALS**

# SECTION 8 - DECALS

## FIGURE 8-1. DECAL INSTALLATION (ANSI SPEC)



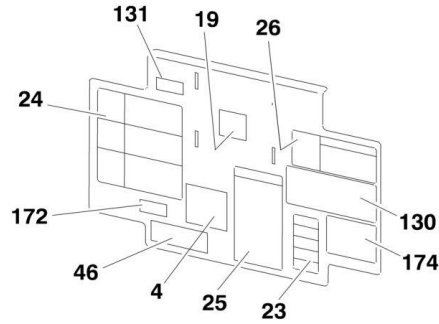
# SECTION 8 - DECALS



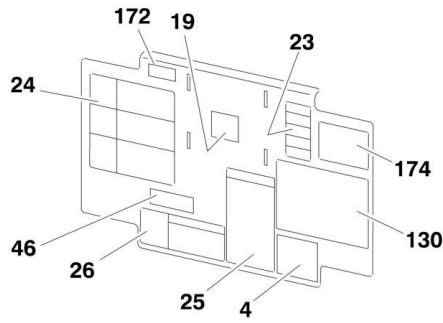
# SECTION 8 - DECALS

## PLATFORM DECAL PANEL DETAILS

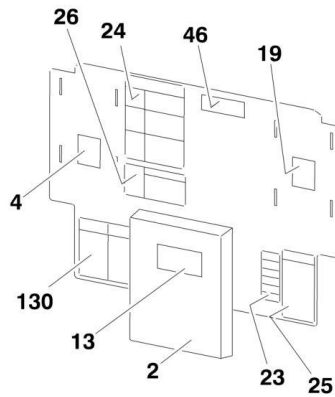
### MODEL 1930ES



### MODELS 2030ES & 2630ES



### MODELS 2646ES & 3246ES



## SECTION 8 - DECALS

**FIGURE 8-1. DECAL INSTALLATION (ANSI SPEC)**

ITEM	PART NUMBER	QTY	DESCRIPTION	REV
		Ref	<b>DECALS INSTALLATION</b>	
	0275220	Ref	<b>Decals Installation 1930ES/2030ES/2630ES/2646ES/3246ES</b>	B
	0272870	Ref	<b>JLG Decals</b>	2
1	2080040	4	Fastener	
2	0860520	1	Box, Manual Storage	
4		Ref	Decal - Patent Options:	
4	1700584	1	Decal - Patent USA Built Machines ( <b>SN 0200198014 through 0200205404</b> )	
4	1700584	1	Decal - Patent China Built Machines ( <b>SN B200000100 through B200003184</b> )	
4	1001131270	1	Decal - Patent USA Built Machines 1930ES/2646ES/3246ES ( <b>SN 0200205405 through 0200239381</b> )	
4	1001131270	1	Decal - Patent USA Built Machines 2030ES/2630ES ( <b>SN 0200205405 to Present</b> )	
4	1001131270	1	Decal - Patent China Built Machines 1930ES/2646ES/3246ES ( <b>SN B200003185 through B200020296</b> )	
4	1001131270	1	Decal - Patent China Built Machines 2030ES/2630ES ( <b>SN B200003185 to Present</b> )	
5	2080057	4	Fastener	
9	1704412	1	Decal - Hydraulic Oil	
10	1705693	1	Decal - Safety Prop	
11	1704016	2	Decal - Forklift	
12	1702155	1	Decal - Battery Disconnect	
13	1701509	1	Decal - Manual Reference	
14	1703811	4	Decal - Lifting Lugs	
15	1703814	3	Decal - Tie Down	
16	1704277	3	Decal - Attach Lanyard Here	
17	1703819	4	Decal - Directional Arrow	
18	1703822	1	Decal - Manual Descent	
19	1705692	1	Decal - Control Box Location	
21	1705694	4	Decal - Crushing Hazard	
22	1705695	4	Decal - Danger Electrocution	
23	1705686	1	Decal - Legend	
24	1705680	1	Decal - Danger/Warning	
25	1705679	1	Decal - Inspection	
26	1705681	1	Decal - Electrocution	
27	1703813	2	Decal - Warning Battery Vent	
32	1705781	2	Decal - JLG	
35	1702773	1	Decal - JLG	
39		Ref	Decal - AC Power Options:	
39	1703464	1	Decal - AC Power 120-60Hz	
39	3252507	1	Decal - AC Power 220V-50/60Hz	
44	1701499	1	Decal - No Lift	
46	1001094359	1	Decal - Troubleshooting	
47	1001146794	2	Decal - Battery Service (USA Built Machines) 1930ES/2646ES/3246ES ( <b>SN 0200215384 through 0200239381</b> )	
47	1001146794	2	Decal - Battery Service (USA Built Machines) 2030ES/2630ES ( <b>SN 0200215384 to Present</b> )	
47	1001146794	2	Decal - Battery Service (China Built Machines) 1930ES/2646ES/3246ES ( <b>SN B200011011 through B200020296</b> )	

## SECTION 8 - DECALS

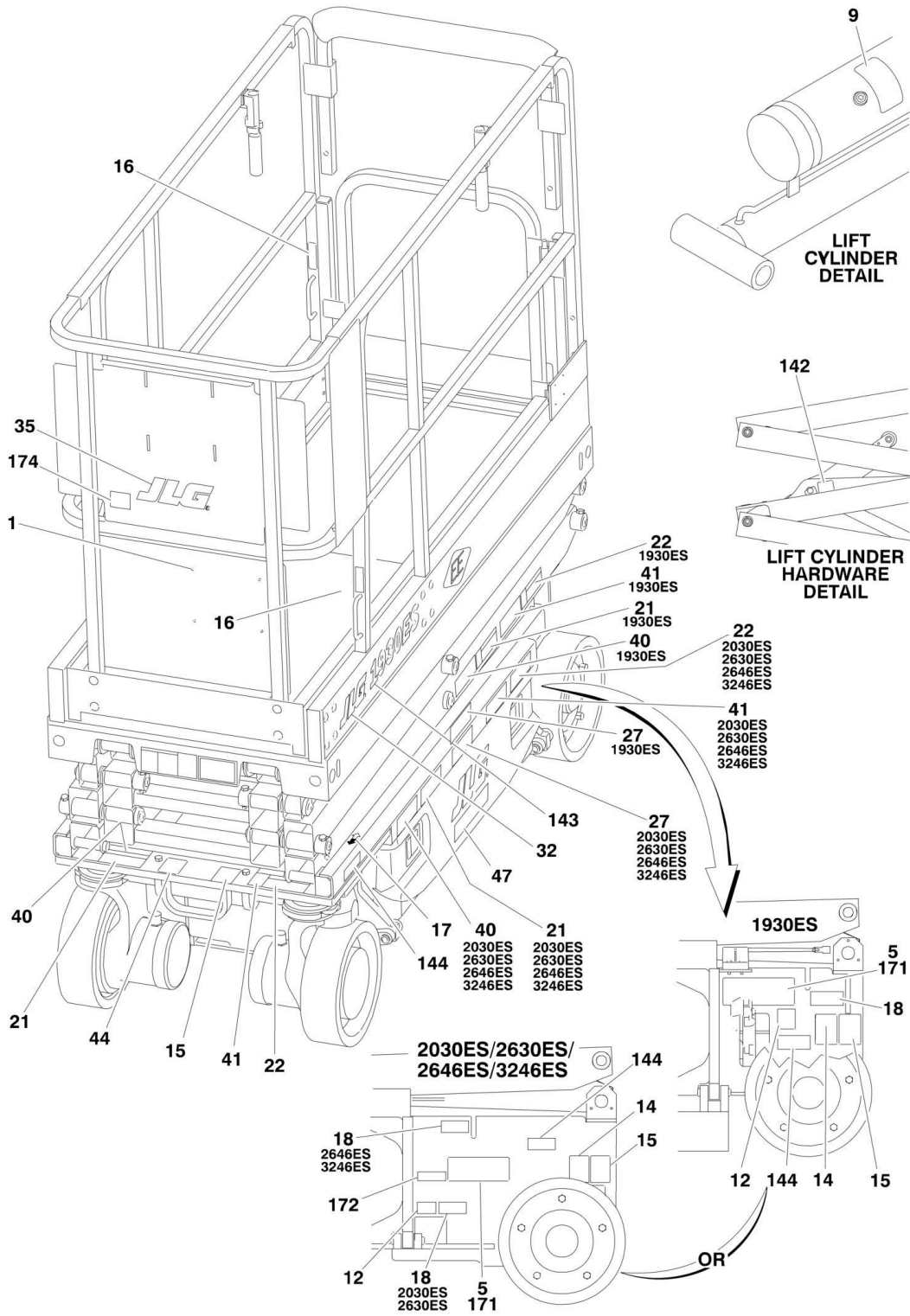
ITEM	PART NUMBER	QTY	DESCRIPTION	REV
47	1001146794	2	Decal - Battery Service (China Built Machines) 2030ES/2630ES (SN B200011011 to Present)	
	0010588	Ref	<b>DECAL OPTIONS</b>	
130		Ref	Decal - Capacity Options:	
130		Ref	Decal - Capacity 1930ES:	
130	1705638	2	Decal - Capacity 500lbs/227kg (Platform Box and Platform Entry Locations)	
130	1705699	1	Decal - Capacity 500lbs/227kg (Ground Control Box Location)	
130	1705639	3	Decal - Capacity 2030ES: 800lbs/363kg (All Locations)	
130		Ref	Decal - Capacity 2630ES:	
130	1705941	1	Platform Console Box Decal - 500lb/227kg & 800lb/360kg	
130	1705880	1	Platform Entry Decal - 500lb/227kg & 800lb/360kg	
130	1705941	1	Ground Control Box Decal - 500lb/227kg & 800lb/360kg	
130	1705640	3	Decal - Capacity 2646ES: 1000lbs/454kg	
130	1705641	3	Decal - Capacity 3246ES: 700lbs/317kg	
131		Ref	Decal - No Pipe Racks/Panel Carriers Options:	
131	1001092071	1	Decal - No Pipe Racks/Panel Carriers 1930ES	
131	Not Required	0	Decal - No Pipe Racks/Panel Carriers 2030ES/2630ES/2646ES/3246ES	
142	1001116928	NLA	Decal - Hardware Retention (Use p/n 1001116915)	
143		Ref	Decal - Model Designation Options:	
143	1001099919	2	Decal - Model Designation 1930ES	
143	1001099920	2	Decal - Model Designation 2030ES	
143	1001099921	2	Decal - Model Designation 2630ES	
143	1001099922	2	Decal - Model Designation 2646ES	
143	1001099923	2	Decal - Model Designation 3246ES	
144		Ref	Decal - Max Tire Load Options:	
144	1705647	4	Decal - Max Tire Load 1930ES	
144	1706310	4	Decal - Max Tire Load 2030ES/2630ES	
144	1706311	4	Decal - Max Tire Load 2646ES/3246ES	
171	Not Available		Nameplate - Serial Number	
174	3251813	1	Decal - Made in USA	
		Ref	Complete Decal Kit Options (Includes Items 4, 9-46 & 130-174):	
	1001149795	1	Complete Decal Kit 1930ES	A
	1001149796	1	Complete Decal Kit 2030ES	A
	1001149797	1	Complete Decal Kit 2630ES	A
	1001149798	1	Complete Decal Kit 2646ES	A
	1001149799	1	Complete Decal Kit 3246ES	A



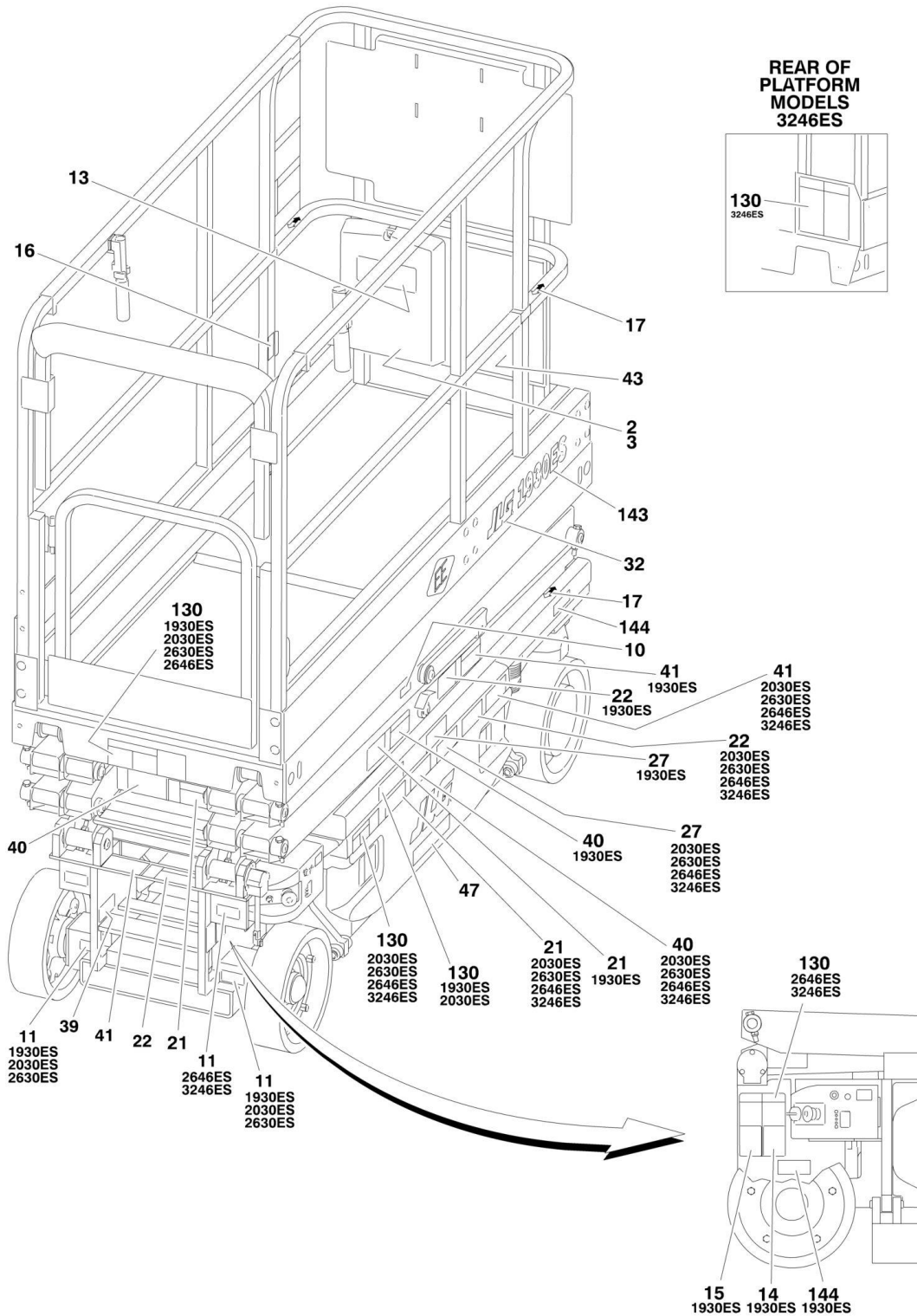


# SECTION 8 - DECALS

## FIGURE 8-2. DECALS INSTALLATIONS (ANSI EXPORT SPEC)



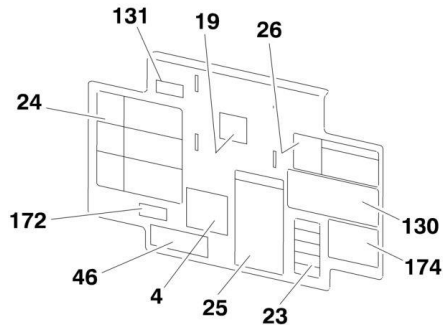
# SECTION 8 - DECALS



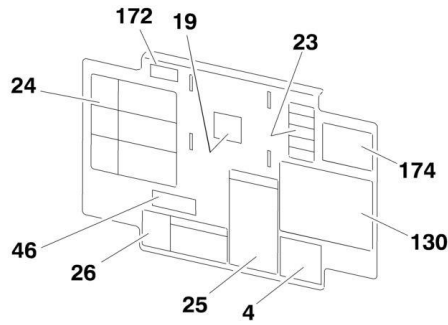
# SECTION 8 - DECALS

## PLATFORM DECAL PANEL DETAILS

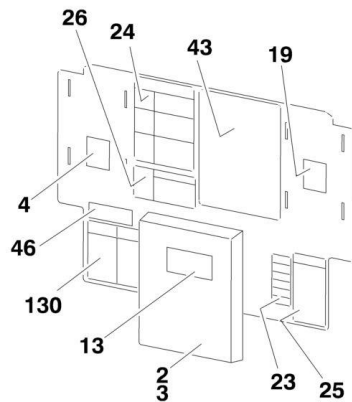
### MODEL 1930ES



### MODELS 2030ES & 2630ES



### MODELS 2646ES & 3246ES



## SECTION 8 - DECALS

**FIGURE 8-2. DECALS INSTALLATIONS (ANSI EXPORT SPEC)**

ITEM	PART NUMBER	QTY	DESCRIPTION	REV
		Ref	<b>DECALS INSTALLATION - ANSI EXPORT SPECS</b>	
	0275225	Ref	<b>Brazilian Spec (Portuguese/Spanish Spec)</b>	B
	0275226	Ref	<b>Chinese Specs (English/Chinese Spec)</b>	B
	0275223	Ref	<b>CSA Spec (English/French)</b>	B
	0275227	Ref	<b>Korean Spec</b>	B
	0275224	Ref	<b>Latin American Spec (English/Spanish)</b>	B
	0272870	Ref	<b>JLG Decals</b>	2
1	2080040	4	Fastener	
2	0860520	1	Box, Manual Storage	
3	1060279	1	Cable, Lanyard	
4		Ref	Decal - Patent Options:	
4	1700584	1	Decal - Patent All Specs except CSA Spec (USA Built Machines) <b>(SN 0200198014 through 0200205404)</b>	
4	1700584	1	Decal - Patent All Specs except CSA Spec (China Built Machines) <b>(SN B200000100 through B200003184)</b>	
4		Ref	CSA Spec	
4	1700584	1	Decal - Patent USA Built Machines <b>(SN 0200198014 through 0200205404)</b>	
4	1700584	1	Decal - Patent China Built Machines <b>(SN B200000100 through B200003184)</b>	
4	1001131270	1	Decal - Patent USA Built Machines 1930ES/2646ES/3246ES <b>(SN 0200205405 through 0200239381)</b>	
4	1001131270	1	Decal - Patent USA Built Machines 2030ES/2630ES <b>(SN 0200205405 to Present)</b>	
4	1001131270	1	Decal - Patent China Built Machines 1930ES/2646ES/3246ES <b>(SN B200003185 through B200020296)</b>	
4	1001131270	1	Decal - Patent China Built Machines 2030ES/2630ES <b>(SN B200003185 to Present)</b>	
5	2080057	4	Fastener	
9	1704412	1	Decal - Hydraulic Oil	
10	1705693	1	Decal - Safety Prop	
11	1704016	2	Decal - Forklift	
12	1702155	1	Decal - Battery Disconnect	
13	1701509	1	Decal - Manual Reference	
14	1703811	3	Decal - Lifting Lugs	
15	1703814	3	Decal - Tie Down	
16	1704277	3	Decal - Attach Lanyard Here	
17	1703819	4	Decal - Directional Arrow	
18	1703822	1	Decal - Manual Descent	
19	1705692	1	Decal - Control Box Location	
21		Ref	Decal - Crushing Hazard	
21	1705694	4	Decal - Crushing Hazard All Specs except Brazilian Spec	
21	1705722	4	Decal - Crushing Hazard Brazilian Spec	
22		Ref	Decal - Danger Electrocution	
22	1705695	4	Decal - Danger Electrocution All Specs except Brazilian Spec	
22	1703834	4	Decal - Danger Electrocution Brazilian Spec	
23		Ref	Decal - Legend	
23	1705726	1	Decal - Legend Brazilian Spec	
23	1705946	1	Decal - Legend Chinese Spec	
23	1705723	1	Decal - Legend CSA Spec	
23	1706057	1	Decal - Legend Korean Spec	

## SECTION 8 - DECALS

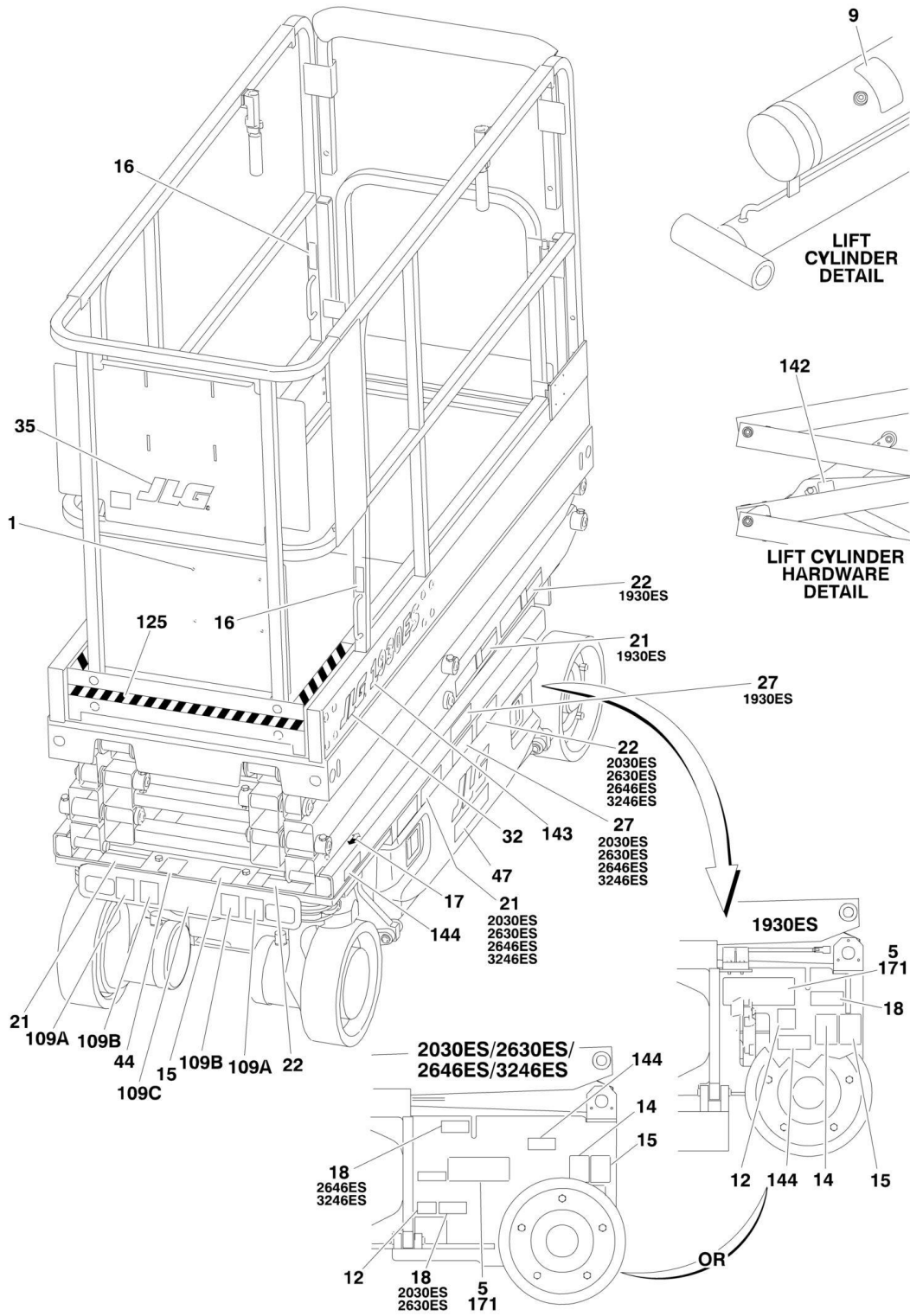
ITEM	PART NUMBER	QTY	DESCRIPTION	REV
23	1705720	1	Decal - Legend Latin American Spec	
24		Ref	Decal - Danger/Warning	
24	1705680	1	Decal - Danger/Warning All Specs except Brazilian Spec	
24	1705894	1	Decal - Danger/Warning Brazilian Spec	
25		Ref	Decal - Inspection	
25	1705679	1	Decal - Inspection All Specs except Brazilian Spec	
25	1705727	1	Decal - Inspection Brazilian Spec	
26		Ref	Decal - Electrocution	
26	1705681	1	Decal - Electrocution All Specs except Brazilian Spec	
26	1705721	1	Decal - Electrocution Brazilian Spec	
27		Ref	Decal - Warning Battery Vent	
27	1704341	2	Decal - Warning Battery Vent Brazilian Spec	
27	1704344	2	Decal - Warning Battery Vent Chinese Spec	
27	1704340	2	Decal - Warning Battery Vent CSA Spec	
27	1703856	2	Decal - Warning Battery Vent Korean Spec	
27	1704339	2	Decal - Warning Battery Vent Latin American Spec	
32	1705781	2	Decal - JLG	
35	1702773	1	Decal - JLG	
39		Ref	Decal - AC Power Options:	
39	1703464	1	Decal - AC Power 120-60Hz	
39	3252507	1	Decal - AC Power 220V-50/60Hz	
40		Ref	Decal - Crushing Hazard Options:	
40	1705725	4	Decal - Crushing Hazard Brazilian and Latin American Specs	
40	1705717	4	Decal - Crushing Hazard CSA Spec	
40	1705943	4	Decal - Crushing Hazard Chinese Spec	
40	1706052	4	Decal - Crushing Hazard Korean Spec	
41		Ref	Decal - Electrocution Options:	
41	1705724	4	Decal - Electrocution Brazilian and Latin American Specs	
41	1705718	4	Decal - Electrocution CSA Spec	
41	1705944	4	Decal - Electrocution Chinese Spec	
41	1706056	4	Decal - Electrocution Korean Spec	
43		Ref	Decal - Warning/Danger Options:	
43	1705719	1	Decal - Warning/Danger Brazilian and Latin American Specs	
43	3252098	1	Decal - Warning/Danger CSA Spec (English/French)	
43	1705945	1	Decal - Warning/Danger Chinese Spec	
43	1706053	1	Decal - Warning/Danger Korean Spec	
44	1701499	1	Decal - No Lift	
46	1001094359	1	Decal - Troubleshooting	
47	1001146794	2	Decal - Battery Service (USA Built Machines) 1930ES/2646ES/3246ES <b>(SN 0200215384 through 0200239381)</b>	
47	1001146794	2	Decal - Battery Service (USA Built Machines) 2030ES/2630ES <b>(SN 0200215384 to Present)</b>	
47	1001146794	2	Decal - Battery Service (China Built Machines) 1930ES/2646ES/3246ES <b>(SN B200011011 through B200020296)</b>	
47	1001146794	2	Decal - Battery Service (China Built Machines) 2030ES/2630ES <b>(SN B200011011 to Present)</b>	
	0010588	Ref	<b>DECAL OPTIONS</b>	83
130		Ref	Decal - Capacity Options:	
130		Ref	Decal - Capacity 1930ES:	
130	1705638	2	Decal - Capacity 1930ES 500lbs/227kg (Platform Box and Platform Entry Locations)	

## SECTION 8 - DECALS

ITEM	PART NUMBER	QTY	DESCRIPTION	REV
130	1705699	1	Decal - Capacity 1930ES 500lbs/227kg (Ground Control Box Location)	
130	1705639	3	Decal - Capacity 2030ES: 800lbs/363kg (All Locations)	
130		Ref	Decal - Capacity 2630ES:	
130	1705941	1	Platform Console Box Decal - 500lb/227kg & 800lb/360kg	
130	1705880	1	Platform Entry Decal - 500lb/227kg & 800lb/360kg	
130	1705941	1	Ground Control Box Decal - 500lb/227kg & 800lb/360kg	
130	1705640	3	Decal - Capacity 2646ES: 1000lbs/454kg	
130	1705641	3	Decal - Capacity 3246ES: 700lbs/317kg	
131		Ref	Decal - No Pipe Racks/Panel Carriers Options:	
131		Ref	Decal - No Pipe Racks/Panel Carriers 1930ES	
131	1001092071	1	Decal - No Pipe Racks/Panel Carriers 1930ES ANSI Export/UL Specs	
131	1001092071	NLA	Decal - No Pipe Racks/Panel Carriers 1930ES Brazilian and Latin American Specs (Use p/n 1001120623)	
131	1001092580	1	Decal - No Pipe Racks/Panel Carriers 1930ES CSA Spec	
131	1001092071	NLA	Decal - No Pipe Racks/Panel Carriers 1930ES Chinese Spec (Use p/n 1001120622)	
131	1001092071	NLA	Decal - No Pipe Racks/Panel Carriers 1930ES Korean Spec (Use p/n 1001120621)	
131	1001092071	NLA	Decal - No Pipe Racks/Panel Carriers 1930ES Latin American Spec (Use p/n 1001120629)	
131	Not Required	0	Decal - No Pipe Racks/Panel Carriers 2030ES/2630ES/2646ES/3246ES	
142	1001116928	NLA	Decal - Hardware Retention (Use p/n 1001116915)	
143		Ref	Decal - Model Designation Options:	
143	1001099919	2	Decal - Model Designation 1930ES	
143	1001099920	2	Decal - Model Designation 2030ES	
143	1001099921	2	Decal - Model Designation 2630ES	
143	1001099922	2	Decal - Model Designation 2646ES	
143	1001099923	2	Decal - Model Designation 3246ES	
144		Ref	Decal - Max Tire Load Options:	
144	1705647	4	Decal - Max Tire Load 1930ES	
144	1706310	4	Decal - Max Tire Load 2030ES/2630ES	
144	1706311	4	Decal - Max Tire Load 2646ES/3246ES	
171	Not Available		Nameplate - Serial Number	
172		Ref	Decal - CSA Options:	
172	1705303	1	Decal - CSA CSA Spec (English/French)	
172	Not Required	0	Decal - CSA Latin American Spec (English/Spanish)/(English/Chinese Spec)	
174	3251813	1	Decal - Made in USA	
176	1705880	1	Decal - Capacity (Platform Entry) (800lbs/363kg - 500lbs/227kg) (2630ES)	

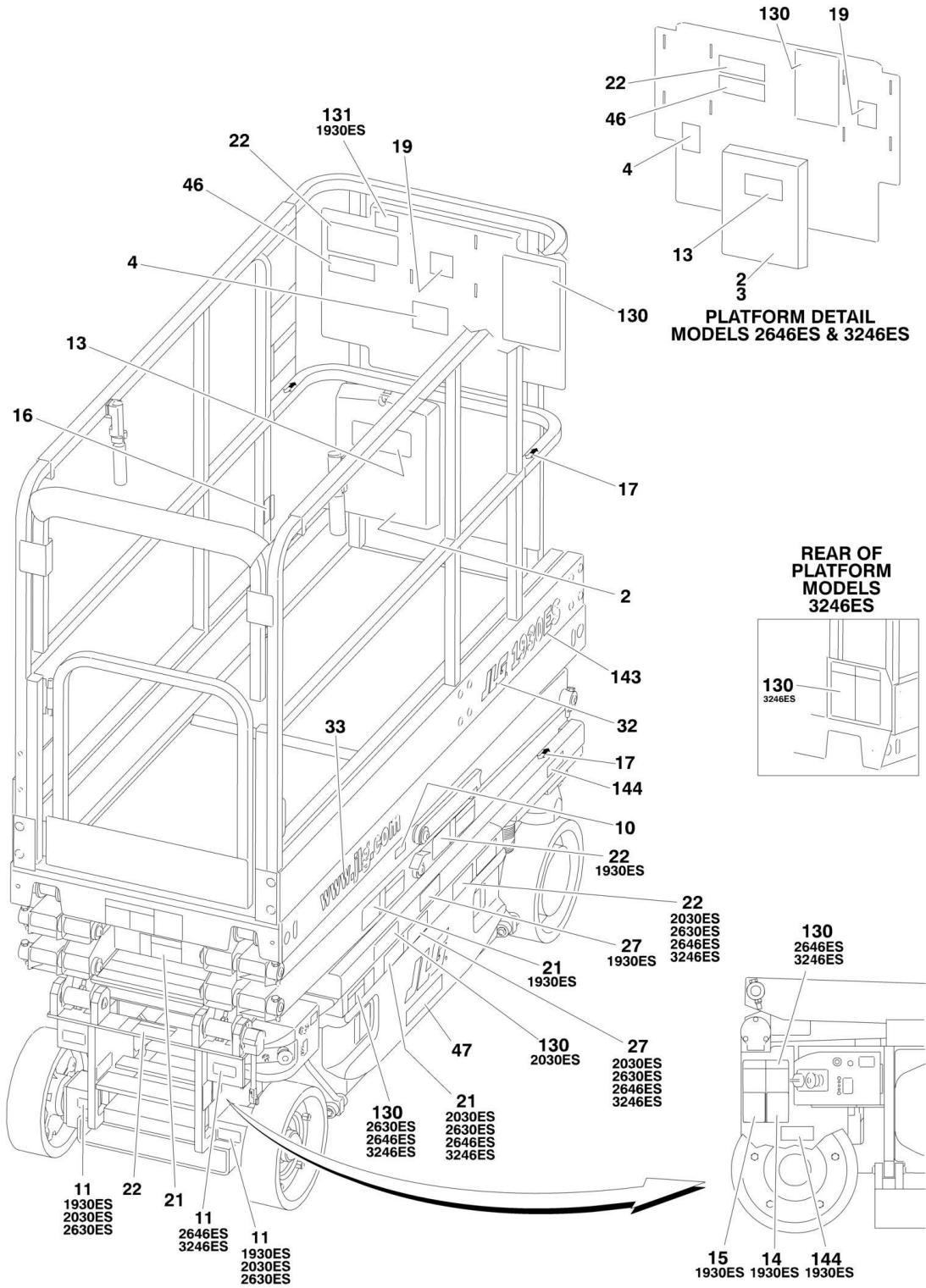
# SECTION 8 - DECALS

FIGURE 8-3. DECAL INSTALLATION (AUSTRALIAN, CE AND JAPANESE SPECS)





# SECTION 8 - DECALS



## SECTION 8 - DECALS

FIGURE 8-3. DECAL INSTALLATION (AUSTRALIAN, CE AND JAPANESE SPECS)

ITEM	PART NUMBER	QTY	DESCRIPTION	REV
		Ref	<b>DECALS INSTALLATION - ANSI EXPORT SPECS</b>	
	0275222	Ref	<b>Australian Spec</b>	B
	0275221	Ref	<b>CE and Japanese Specs</b>	B
	0272870	Ref	<b>JLG Decals</b>	2
1	2080040	4	Fastener	
2	0860520	1	Box, Manual Storage	
4	1700584	1	Decal - Patent (USA Built Machines) <b>(SN 0200198014 through 0200205405)</b>	
4	1700584	1	Decal - Patent (China Built Machines) <b>(SN B200000100 through B200003185)</b>	
5	2080057	4	Fastener	
9	1704412	1	Decal - Hydraulic Oil	
10	1705693	1	Decal - Safety Prop	
11	1704016	2	Decal - Forklift	
12	1702155	1	Decal - Battery Disconnect	
13	1701509	1	Decal - Manual Reference	
14	1703811	3	Decal - Lifting Lugs	
15	1703814	3	Decal - Tie Down	
16	1704277	3	Decal - Attach Lanyard Here	
17	1703819	4	Decal - Directional Arrow	
18	1703822	1	Decal - Manual Descent	
19	1705692	1	Decal - Control Box Location	
21	1705673	4	Decal - Crushing Hazard	
22	1705671	5	Decal - Danger Electrocution	
27	1705670	1	Decal - Warning Battery Vent	
32	1705781	2	Decal - JLG	
35	1702773	1	Decal - JLG	
39		Ref	Decal - AC Power Options:	
39	1703464	1	Decal - AC Power 120-60Hz	
39	3252507	1	Decal - AC Power 220V-50/60Hz	
44	1701499	1	Decal - No Lift	
46	1001094359	1	Decal - Troubleshooting	
47		Ref	Decal - Battery Service (USA Built Machines) 1930ES/2646ES/3246ES <b>(SN 0200215384 through 0200239381)</b>	
47		Ref	Decal - Battery Service (USA Built Machines) 2030ES/2630ES <b>(SN 0200215384 to Present)</b>	
47		Ref	Decal - Battery Service (China Built Machines) 1930ES/2646ES/3246ES <b>(SN B200011011 through B200020296)</b>	
47		Ref	Decal - Battery Service (China Built Machines) 2030ES/2630ES <b>(SN B200011011 to Present)</b>	
47	1001146794	2	Decal - Battery Service Options Australian and Japanese Specs	
47	1001146795	2	Decal - Battery Service Options CE Specs	
	0010588	Ref	<b>DECAL OPTIONS</b>	83
109		Ref	Lifting Lug and Decals (Standard on Australian and Japanese Specs/Optional on CE Specs)	
109	0273454	AR	Lifting Lug and Decals 1930ES (All Specs except Australian Spec)	B
109	1001135753	AR	Lifting Lug and Decals 1930ES (Australian Specs)	A
109	0273454	AR	Lifting Lug and Decals 2030ES/2630ES/2646ES/3246ES	B
109A	1703811	2	Decal - Lifting Lug	

## SECTION 8 - DECALS

ITEM	PART NUMBER	QTY	DESCRIPTION	REV
109B	1703814	2	Decal - Tie-Down	
109C	0240055	1	Attach, Lifting Lug	
109C	3574636	1	Bar, Mounting (Located Behind Item 109C)	
125		Ref	Decal - Corner Stripe Options:	
125	0272721	AR	Decal - Corner Stripe 1930ES/2030ES/2630ES	C
125	0272862	AR	Decal - Corner Stripe 2646ES/3246ES	C
125	4420051	4.3 ft /1.3m	Decal - Corner Stripe 1930ES/2030ES/2630ES	
125	4420051	3.9 ft /1.2m	Decal - Corner Stripe 2646ES/3246ES	
130		Ref	Decal - Capacity Options:	
130	1705666	1	Decal - Capacity 230kg Indoor/120kg Outdoor (1930ES)	
130	1705667	1	Decal - Capacity 360kg (2030ES)	
130	1705887	1	Decal - Capacity 230kg (2630ES) (Australian Specs - USA Built Machines) <b>(SN 0200198014 through 0200211630)</b>	
130	1705887	1	Decal - Capacity 230kg (2630ES) (Australian Specs - China Built Machines) <b>(SN B200000100 through B200007192)</b>	
130	1705942	1	Decal - Capacity 230kg/360kg (2630ES) (Australian Specs - USA Built Machines) <b>(SN 0200211631 to Present)</b>	
130	1705942	1	Decal - Capacity 230kg/360kg (2630ES) (Australian Specs - China Built Machines) <b>(SN B200007193 to Present)</b>	
130	1705942	1	Decal - Capacity 230kg/360kg (2630ES) (CE Specs)	
130	1705668	1	Decal - Capacity 450kg (2646ES)	
130	1705819	1	Decal - Capacity 320kg/450kg (3246ES) (Australian Specs - USA Built Machines) <b>(SN 0200198014 through 0200211630)</b>	
130	1705819	1	Decal - Capacity 320kg/450kg (3246ES) (Australian Specs - China Built Machines) <b>(SN B200000100 through B200007192)</b>	
130	1705704	1	Decal - Capacity 320kg (3246ES) (Australian Specs - USA Built Machines) <b>(SN 0200211631 through 0200239381)</b>	
130	1705704	1	Decal - Capacity 320kg (3246ES) (Australian Specs - China Built Machines) <b>(SN B200007193 through B200020296)</b>	
130	1705704	1	Decal - Capacity 320kg (3246ES) (CE Spec)	
131		Ref	Decal - No Pipe Racks/Panel Carriers Options:	
131	1001092071	NLA	Decal - No Pipe Racks/Panel Carriers 1930ES (Use p/n 1001092497 for Australian Spec)	
131	Not Required	0	Decal - No Pipe Racks/Panel Carriers 2030ES/2630ES/2646ES/3246ES	
142	1001116928	NLA	Decal - Hardware Retention (Use p/n 1001116915)	
143		Ref	Decal - Model Designation Options:	
143	1001099919	2	Decal - Model Designation 1930ES	
143	1001099920	2	Decal - Model Designation 2030ES	
143	1001099921	2	Decal - Model Designation 2630ES	
143	1001099922	2	Decal - Model Designation 2646ES	
143	1001099923	2	Decal - Model Designation 3246ES	
144		Ref	Decal - Max Tire Load Options:	
144	1705648	4	Decal - Max Tire Load 1930ES	
144	1706310	4	Decal - Max Tire Load 2030ES/2630ES	
144	1706312	4	Decal - Max Tire Load 2646ES/3246ES	
171	Not Available		Nameplate - Serial Number	



## **SECTION 9 - RECOMMENDED SERVICE PARTS STOCK**

## **SECTION 9 - RECOMMENDED SERVICE PARTS STOCK**

## SECTION 9 - RECOMMENDED SERVICE PARTS STOCK

FIGURE 9-1. MODEL ES STANDARD PARTS

ITEM	PART NUMBER	QTY	DESCRIPTION	REV
	Note	Ref	<b>Note: The following list will service one machine (built to current production per date on the front cover) with emergency repair parts which can be installed in the field. Parts from the list should be replaced when inventory is depleted to keep service parts stock supplied. For further information, contact your JLG dealer or the JLG Industries Parts Department.</b>	
		Ref	<b>STANDARD PARTS</b>	
	4360069	1	Breaker, Circuit - 10 Amp	
	4360328	1	Switch, Toggle	
	2860030	1	Key, Replacement	
	4360475	1	Switch, Mushroom	
	4360387	1	Switch, Push Button	
	1001092354	1	Switch, Rotary Angle Sensor	
	1001134438	1	Controller, Drive	
	4360538	1	Switch and Membrane	
	4360539	1	Switch, Toggle	
	7027367	1	Switch, Push button	
	1001097347	1	Relay	



## SECTION 9 - RECOMMENDED SERVICE PARTS STOCK

FIGURE 9-2. MODEL ES VARIABLE PARTS

ITEM	PART NUMBER	QTY	DESCRIPTION	REV
	Note	Ref	<b>Note: The following list will service one machine (built to current production per date on the front cover) with emergency repair parts which can be installed in the field. Parts from the list should be replaced when inventory is depleted to keep service parts stock supplied. For further information, contact your JLG dealer or the JLG Industries Parts Department.</b>	
		Ref	<b>VARIABLE PARTS</b>	
	1001092456	1	Drive Module (Frame)	
	3740150	1	Relay (Non-UL Spec)	
	1001114933	1	Tilt Module	
	4360469	1	Switch, Key (ANSI/ANSI Export/Australian Spec)	
	4360470	1	Switch, Key (CE Spec)	
	3080007	1	Magnet, Latch (Machines with Platform Gate Entry)	
	1001101076	1	Snap Latch Repair Kit (Machines with Platform Chain Entry)	
	1001091965	1	Control Module (Platform)	
	1001109088	1	Switch, Limit (All Specs except UL Spec)	
	1001126905	1	Switch, Limit (UL Spec)	
	1001109475	1	Breaker, Circuit 16 Amp (CE Spec Machines with Platform Electrical Outlet)	
	1001109482	1	Breaker, Circuit 30 mA (CE Spec Machines with Platform Electrical Outlet)	
	4360613	1	Limit Switch (Machines with Optional Brake Disconnect)	
	4360336	1	Switch, Toggle (ANSI and CSA Spec Machines with Optional Battery Charger/Inverter Combo)	
	4360336	1	Switch, Toggle (ANSI Spec Machines with Optional Battery Inverter without Battery Changer)	
	70000798	1	Coil (Texas Hydraulics Cylinder)	
	70000799	1	Coil (Texas Hydraulics Cylinder)	
	7023593	1	Plug, Fill (Texas Hydraulics Cylinder)	
	7023576	1	Filter (Texas Hydraulics Cylinder)	
	70004928	1	Filter - 300 Micron (SH-Pac and Serta Lift Cylinders)	
	70003706	1	Filter - 300 Micron (SH-Pac and Serta Lift Cylinders)	
	70004921	1	Plug, Fill (SH-Pac and Serta Lift Cylinders)	
	70003707	1	Coil (SH-Pac and Serta Lift Cylinders)	
	3990010	2	Diode 6 Amp (ANSI and CSA Spec Machines with Optional Battery Charger/Inverter Combo)	





## SECTION 9 - RECOMMENDED SERVICE PARTS STOCK

FIGURE 9-3. MODEL ES MAINTENANCE KITS

ITEM	PART NUMBER	QTY	DESCRIPTION	REV
	Note	Ref	<b>Note: The following list will service one machine (built to current production per date on the front cover) with emergency repair parts which can be installed in the field. Parts from the list should be replaced when inventory is depleted to keep service parts stock supplied. For further information, contact your JLG dealer or the JLG Industries Parts Department.</b>	
		Ref	<b>MAINTENANCE KITS</b>	
	1001101329	NLA	Annual Hydraulic Maintenance Kit - 1930ES/2030ES/2630ES (w/Standard Hydraulic Oil)	
	1001101330	NLA	Annual Hydraulic Maintenance Kit - 2646ES/3246ES (w/Standard Hydraulic Oil)	

**SECTION 10 - SPECIAL OPTIONS**

# SECTION 10 - SPECIAL OPTIONS

FIGURE 10-1. SPECIAL OPTIONS

ITEM	PART NUMBER	QTY	DESCRIPTION	REV
	Note	Ref	<b>Note: This list is to accommodate machines ordered with special equipment. Options may not be applicable to all models. For more specific parts information contact JLG Parts Department.</b>	
		Ref	<b>SPECIAL OPTIONS LIST</b>	
		Ref	<b>Airline Installation (1/2in)</b>	
	0274516	Ref	<b>Airline Installation (1/2in) 1930ES</b>	
	0274370	Ref	<b>Airline Installation (1/2in) 2030ES</b>	
	0274517	Ref	<b>Airline Installation (1/2in) 2630ES</b>	
	0274446	Ref	<b>Airline Installation (1/2in) 2646ES/3246ES</b>	
	1001188716	Ref	<b>Arm Guards Installation (1930ES)</b>	
	1001191850	Ref	<b>Arm Guards Installation (China Built Machines) (2646ES/3246ES)</b>	
	2915016	Ref	<b>Battery Charger Mounting Kit</b>	
		Ref	<b>Beacon Light Installation with 2 Lights</b>	
	1001190009	Ref	<b>2 Beacon Installation (1930ES)</b>	
	1001190011	Ref	<b>2 Beacon Installation (2030ES/2630ES)</b>	
	1001190010	Ref	<b>2 Beacon Installation (2646ES/3246ES)</b>	
		Ref	<b>Brake Disconnect/Release Kit Options</b>	
	0275432	Ref	<b>Brake Disconnect Cable Kit (Optional All Specs)</b>	
	2902331	Ref	Brake Mount Kit (Includes Mounting Bracket and Setscrew)	
	4922944	Ref	Brake Switch and Harness	
	0275530	Ref	<b>Brake Release Switch (Optional ANSI, ANSI Export, CSA and UL Specs/Standard on Australian and CE Specs) For Machines without Pressure Checks)</b>	
	See Note	Ref	<b>Brake Release Switch (Optional ANSI, ANSI Export, CSA and UL Specs/Standard on Japanese Specs) (For Machines with Pressure Checks) (Was p/n 0275603) (Note: Use Both p/ns 0275530 &amp; 0273859)</b>	
		Ref	<b>Decal Options:</b>	
		Ref	<b>Decals - Boels</b>	
		Ref	<b>USA Built Machines (SN 0200198014 through 0200224416)</b>	
		Ref	<b>China Built Machines (SN B200000100 through B200014821)</b>	
	1001110179	Ref	<b>Decal 1930ES CE Spec - Dutch Belgium</b>	
	1001106715	Ref	<b>Decal 1930ES CE Spec - Dutch Netherlands</b>	
	1001109207	Ref	<b>Decal 1930ES CE Spec - French</b>	
	1001110176	Ref	<b>Decal 1930ES CE Spec - German Austria</b>	
	1001109146	Ref	<b>Decal 1930ES CE Spec - German Deutschland</b>	
	1001109210	Ref	<b>Decal 1930ES CE Spec - TJECH</b>	
	1001110180	Ref	<b>Decal 2030ES CE Spec - Dutch Belgium</b>	
	1001106716	Ref	<b>Decal 2030ES CE Spec - Dutch Netherlands</b>	
	1001109208	Ref	<b>Decal 2030ES CE Spec - French</b>	
	1001110177	Ref	<b>Decal 2030ES CE Spec - German Austria</b>	
	1001109147	Ref	<b>Decal 2030ES CE Spec - German Deutschland</b>	
	1001109211	Ref	<b>Decal 2030ES CE Spec - TJECH</b>	
	1001110181	Ref	<b>Decal 2646ES/3246ES CE Spec - Dutch Belgium</b>	
	1001106717	Ref	<b>Decal 2646ES/3246ES CE Spec - Dutch Netherlands</b>	
	1001109209	Ref	<b>Decal 2646ES/3246ES CE Spec - French</b>	
	1001110178	Ref	<b>Decal 2646ES/3246ES CE Spec - German Austria</b>	
	1001109148	Ref	<b>Decal 2646ES/3246ES CE Spec - German Deutschland</b>	

## SECTION 10 - SPECIAL OPTIONS

ITEM	PART NUMBER	QTY	DESCRIPTION	REV
	1001109212	Ref	Decal 2646ES/3246ES CE Spec - TJECH	
		Ref	USA Built Machines 1930ES/2646ES/3246ES (SN 0200224417 through 0200239381)	
		Ref	USA Built Machines 2030ES/2630ES (SN 0200224417 to Present)	
		Ref	China Built Machines 1930ES/2646ES/3246ES (SN B200014822 through B200020296)	
		Ref	China Built Machines 2030ES/2630ES (SN B200014822 to Present)	
	1001154509	Ref	Decals - Boels 1930ES ANSI Export and CE Specs	
	1001154507	Ref	Decals - Boels 2030ES/2630ES ANSI Export and CE Specs	
	1001154508	Ref	Decals - Boels 2646ES/3246ES ANSI Export and CE Specs	
	2890186	Ref	Decals - CE Kit	
	0272721	Ref	Decals - Corner Stripes 1930ES	
	0272721	Ref	Decals - Corner Stripes 2030ES/2630ES (SN 0200224417 to Present, SN B200014822 to Present)	
	0272862	Ref	Decals - Corner Stripes 2646ES/3246ES	
	0273603	Ref	Decals - Commercial Solutions Group (ANSI and CSA Specs Only)	
	1705304	Ref	Decals - Service Support (Commercial Solutions Group Only) (ANSI, CSA and UL Specs Only)	
	0274545	Ref	Decals - FedEx (ANSI, CE, CSA and UL Specs Only)	
	0273603	Ref	Decals - Grainger Spec (ANSI, CSA and UL Specs Only)	
	0274527	Ref	Decals - Head and Engquist Equipment (ANSI Specs Only)	
	0273543	Ref	Decals - Hertz (All Models - USA Built Machines) (ANSI, CSA and Specs Only) (SN 0200198014 through 0200202468)	
	0273543	Ref	Decals - Hertz (All Models - Belgium Built Machines) (ANSI, CSA and Specs Only) (SN 1200008481 through 1200024983)	
	0273543	Ref	Decals - Hertz (All Models - China Built Machines) (ANSI, CSA and Specs Only) (SN B200000100 through B200001838)	
	1001128998	Ref	Decals - Hertz (1930ES - USA Built Machines) (ANSI, CSA and UL Specs Only) (SN 0200202469 through 0200239381)	
	1001128998	Ref	Decals - Hertz (1930ES - China Built Machines) (ANSI, CSA and UL Specs Only) (SN B200001839 through B200020296)	
	1001128999	Ref	Decals - Hertz (2030ES/2630ES - USA Built Machines) (ANSI, CSA and UL Specs Only) (SN 0200202469 to Present)	
	1001128999	Ref	Decals - Hertz (2030ES/2630ES China Built Machines) (ANSI, CSA and UL Specs Only) (SN B200001839 to Present)	
	1001129000	Ref	Decals - Hertz (2646ES/3246ES - USA Built Machines) (ANSI, CSA and UL Specs Only) (SN 0200202469 through 0200239381)	
	1001129000	Ref	Decals - Hertz (2646ES/3246ES -China Built Machines) (ANSI, CSA and UL Specs Only) (SN B200001839 through B200020296)	
	0272877	Ref	Decals - Home Depot (ANSI, CSA and UL Specs Only)	
	0273544	Ref	Decals - Nations Rent (ANSI, CSA and UL Specs Only)	
	0274242	Ref	Decals - Nations Equipment Services (1930ES/2030ES/2630ES) (ANSI, CSA and UL Specs Only)	
	0274251	Ref	Decals - Nations Equipment Services (2646ES/3246ES) (ANSI, CSA and UL Specs Only)	
	0275900	Ref	Decals - RSC Equipment Rental (ANSI and CSA Specs Only)	
	1705304	Ref	Decals - Service Support (ANSI and CSA Specs Only)	
	1706922	Ref	Decals - Service Support (ANSI and CSA Specs Only)	
	0272872	Ref	Decals - Sunbelt (ANSI, CSA and UL Specs Only)	
	0274179	Ref	Decals - Sunstate (ANSI, CSA and UL Specs Only)	
	1001151156	Ref	Decals - Titan Rentals (ANSI and CSA Specs Only)	

## SECTION 10 - SPECIAL OPTIONS

ITEM	PART NUMBER	QTY	DESCRIPTION	REV
	0274126	Ref	<b>Decals - UL Specs (EE Rating) (USA Built Machines)</b>	
	1001126013	Ref	<b>Decals - UL Specs (EE Rating) (China Built Machines)</b>	
	0272871	Ref	<b>Decals - United Rentals (ANSI, CSA and UL Specs Only)</b>	
	1001103307	Ref	<b>Decals - UPS (ANSI Spec Only)</b>	
	1001141655	Ref	<b>Decals - Volvo Rents (1930ES) (ANSI and CSA Specs Only)</b>	
	1001141656	Ref	<b>Decals - Volvo Rents (2030ES/2630ES) (ANSI and CSA Specs Only)</b>	
	1001141657	Ref	<b>Decals - Volvo Rents (2646ES/3246ES) (ANSI and CSA Specs Only)</b>	
		Ref	<b>Decal Kit Options:</b>	
	2890189	Ref	<b>Decal Kit - CE Designation</b>	
	1001149795	Ref	<b>Decal Kit - Complete 1930ES</b>	
	1001149796	Ref	<b>Decal Kit - Complete 2020ES</b>	
	1001149797	Ref	<b>Decal Kit - Complete 2630ES</b>	
	1001149798	Ref	<b>Decal Kit - Complete 2646ES</b>	
	1001149799	Ref	<b>Decal Kit - Complete 3246ES</b>	
	2902522	Ref	<b>Decal Kit - Country Spec (ANSI Spec)</b>	
	2902523	Ref	<b>Decal Kit - Country Spec (Australian &amp; CE Spec)</b>	
	2902526	Ref	<b>Decal Kit - Country Spec (Brazil Spec)</b>	
	2902528	Ref	<b>Decal Kit - Country Spec (Chinese Spec)</b>	
	2902524	Ref	<b>Decal Kit - Country Spec (CSA Spec)</b>	
	2902532	Ref	<b>Decal Kit - Country Spec (Korean Spec)</b>	
	2902525	Ref	<b>Decal Kit - Country Spec (Latin American Spec)</b>	
	2902267	Ref	<b>Decal Kit - Master</b>	
	1001091967	Ref	<b>Decal Kit - Platform Box Decal</b>	
	1001091393	Ref	<b>Decal Kit - Platform Box Decal &amp; Housing</b>	
	1001091965	Ref	<b>Decal Kit - Platform Box Decal, Housing &amp; PC Board</b>	
		Ref	<b>Electrical Connector Kits</b>	
	1001148902	Ref	Amp/Tyco Electrical Connector Kit	
	1001148903	Ref	Deutsch DT Electrical Connector Kit	
	1001148904	Ref	Deutsch HD Electrical Connector Kit	
	1001148905	Ref	Packard Electrical Connector Kit	
	1001148906	Ref	Various Electrical Connectors Kit	
		Ref	<b>Electricians Package (Note: See Platform Section)</b>	
	0273950	Ref	<b>Without DC Converter</b>	
	0273949	Ref	<b>With DC Converter</b>	
		Ref	<b>Electricians Tree (Note: See Platform Section)</b>	
	1001102549	Ref	<b>Without DC Converter</b>	
	0274153	Ref	<b>With DC Converter</b>	
	0274849	Ref	<b>Fire Extinguisher Installation (ANSI)</b>	
		Ref	<b>Fluids</b>	
	2300028	AR	<b>Fluid, Hydraulic - Mobil DTE 10 Excel 15 (Bulk)</b>	
	70010346	AR	<b>Fluid, Hydraulic - Mobil DTE 10 Excel 15 (1 Gallon)</b>	
	2300042	AR	<b>Fluid, Hydraulic - Synthetic Biodegradeable</b>	
		Ref	<b>Footswitch Installation Options (Japanese Spec)</b>	
	0273761	Ref	<b>Footswitch Installation with LSS 1930ES</b>	
	1001185661	Ref	<b>Footswitch Installation without LSS 1930ES</b>	
	0273762	Ref	<b>Footswitch Installation with LSS 2030ES/2630ES/2646ES/3246ES</b>	
	1001185666	Ref	<b>Footswitch Installation without LSS 2030ES</b>	
	1001185668	Ref	<b>Footswitch Installation without LSS 2630ES</b>	
	1001185669	Ref	<b>Footswitch Installation without LSS 2646ES/3246ES</b>	

## SECTION 10 - SPECIAL OPTIONS

ITEM	PART NUMBER	QTY	DESCRIPTION	REV
	3128145	Ref	<b>Inspection Packet (ANSI and ANSI Export Specs Only)</b>	
	0274341	Ref	<b>Interlock Override for Battery Charger Installation (ANSI)</b>	
		Ref	<b>Inverter Installations (ANSI, ANSI Export and Japanese Specs)</b>	
	0272876	Ref	<b>Inverter Installations (ANSI, ANSI Export and Japanese Specs) 1930ES</b>	
	0273070	Ref	<b>Inverter Installations (ANSI, ANSI Export and Japanese Specs) 2030ES/2630ES</b>	
	0273071	Ref	<b>Inverter Installations (ANSI, ANSI Export and Japanese Specs) 2646ES/3246ES</b>	
	2460042	1	Inverter Assembly	
	4360482	1	Switch, Toggle	
	1705051	1	Decal - Instructions	
	1705052	1	Decal - On-Off	
		Ref	<b>Lifting Lugs Installations</b>	
	0273454	Ref	<b>Lifting Lugs Installations 1930ES (All Specs except Australian Spec)</b>	
	1001135753	Ref	<b>Lifting Lugs Installations 1930ES Australian Spec</b>	
	0273454	Ref	<b>Lifting Lugs Installations 2030ES/2630ES/2646ES/3246ES</b>	
		Ref	<b>Maintenance Kits - Annual Hydraulic (Not for Machines with Biodegradeable Hydraulic Fluid)</b>	
	1001101329	NLA	<b>Maintenance Kits - Annual Hydraulic 1930ES/2030ES/2630ES</b>	
	1001101330	NLA	<b>Maintenance Kits - Annual Hydraulic 2646ES/3246ES</b>	
	2902405	Ref	<b>Motor Band Kit (UL Specs Only)</b>	
	3125053	Ref	<b>Operator Video (ANSI and ANSI Export Specs Only)</b>	
	1001214536	Ref	<b>Platform Extension Lock Replacement Kit (Steel Platform Only)</b>	
		Ref	<b>Platform Latch - Magna-Latch Side Pull</b>	
	1001135316	Ref	<b>Platform Latch - Magna-Latch Side Pull (1930ES/2030ES/2630ES) (All Specs except Australian Spec)</b>	
	1001135317	Ref	<b>Platform Latch - Magna-Latch Side Pull (2646ES/3246ES) (All Specs except Australian Spec)</b>	
	1001140336	Ref	<b>All Machines (Australian Specs)</b>	
		Ref	<b>Platform Limit Switches and Rail Padding Installations</b>	
	0275078	Ref	<b>Platform Limit Switches and Rail Padding Installations, 1930ES without Limit Switches (All Specs)</b>	
		Ref	<b>Platform Limit Switches and Rail Padding Installations, 1930ES with Limit Switches Options:</b>	
	0275080	Ref	<b>Non-UL Spec (ANSI and ANSI Export Specs Only)</b>	
	1001100029	Ref	<b>UL Spec (ANSI and UL Specs Only)</b>	
	0275077	Ref	<b>Platform Limit Switches and Rail Padding Installations, 2030ES/2630ES without Limit Switches (All Specs)</b>	
		Ref	<b>Platform Limit Switches and Rail Padding Installations, 2030ES/2630ES with Limit Switches Options:</b>	
	0275081	Ref	<b>Non-UL (ANSI and ANSI Export Specs Only)</b>	
	1001092701	Ref	<b>UL Spec (ANSI and UL Specs Only)</b>	
	0275076	Ref	<b>Platform Limit Switches and Rail Padding Installations, 2646ES/3246ES without Limit Switches</b>	
		Ref	<b>Platform Limit Switches and Rail Padding Installations, 2646ES/3246ES with Limit Switches</b>	
	0275082	Ref	<b>Non-UL Spec (ANSI and ANSI Export Specs Only)</b>	
	1001092702	Ref	<b>UL Spec (ANSI and UL Specs)</b>	
	1001098162	Ref	<b>Platform Limit Switches and Rail Padding Installations, 2646ES with Limit Switches without Padding (CE Spec Only)</b>	
	1001121295	Ref	<b>Platform Limit Switches and Rail Padding Installations, 2646ES with Limit Switches with Padding (ANSI Export Spec</b>	

## SECTION 10 - SPECIAL OPTIONS

ITEM	PART NUMBER	QTY	DESCRIPTION	REV
			<b>Only)</b>	
		Ref	<b>Platform Worklights Installations</b>	
	0272850	Ref	<b>Platform Worklights Installations, 1930ES (Without UL Specs)</b>	
	0272851	Ref	<b>Platform Worklights Installations, 2030ES (Without UL Specs)</b>	
	0272852	Ref	<b>Platform Worklights Installations, 2630ES (Without UL Specs)</b>	
	0272853	Ref	<b>Platform Worklights Installations, 2646ES/3246ES (Without UL Specs)</b>	
	0275937	Ref	<b>Platform Worklights Installations, 2646ES/3246ES (With UL Specs)</b>	
	0273952	Ref	<b>Plant Maintenance Package (Note: See Platform Section)</b>	
	0273951	Ref	<b>Plumbers Package (Note: See Platform Section)</b>	
	0273859	Ref	<b>Pressure Check Installation (All Specs except Australian and CE Specs)</b>	
	1001171015	Ref	<b>RCD Box Installation (Brazil Spec Only) (Factory Installed)</b>	
	1001157920	Ref	<b>RCD Box Installation (Brazil Spec Only) (Service Kit)</b>	
		Ref	<b>Tools for Service</b>	
	7002821	1	Crimper, Wire	
	7002823	1	Extractor, Pin - Universal	
	4460467	AR	Extractor, Pin #16 Gauge	
	4460510	AR	Extractor, Pin #12 Gauge	
	7004275	1	Installer, Cylinder Seal - 1in	
	7004276	1	Installer, Cylinder Seal - 1 1/2in	
	7002826	1	Installer, Cylinder Seal - 2in	
	7016654	1	Screwdriver, Magnetic	
	7002822	1	Screwdriver, Potentiometer	
	7002828	1	Stripper, Wire	
	2901443	1	Analyzer Kit	
	4341055	1	Service Safety Prop	
	1706331	1	Decal - ES Service Prop	
	70000555	1	Relief Valve Removable Tool (For Older Style Relief Valves)	
	2915230	1	Battery Charger Reprogram Controller Kit	
	1001137005	1	Software Cables Kit	
	1001193039	1	ZAPI Programming Harness	
		Ref	<b>Work Station in the Sky Accessories Installations (Note: See Platform Section)</b>	
	0273965	Ref	<b>Work Station without DC Converter Installation (All Models)</b>	
	0273955	Ref	<b>Work Station with DC Converter Installation (1930ES/2030ES)</b>	
	0273956	Ref	<b>Work Station with DC Converter Installation (2630ES/2646ES/3246ES)</b>	



**PART NUMBER INDEX**

## SECTION 10 - SPECIAL OPTIONS

0010588.....13, 188, 194, 198	0272870 .... 187, 193, 198	0274944 ..... 91	0275514 .....165
0060091.....25	0272871 ..... 210	0274971 ..... 79, 80	0275515.....165
0060093.....27	0272872 ..... 209	0274980 ..... 111	0275516.....165
0100011.....12, 35, 53	0272874 ..... 29	0274981 ..... 111	0275517.....177
0100048.....53, 148, 160, 172	0272875 ..... 29	0274985 ..... 83	0275518.....177
0100051.....45	0272876 ..... 211	0274991 ..... 79	0275519.....177
0100083.....21	0272877 ..... 209	0274992 ..... 79	0275520.....176
01001096627.....167	0272878 ..... 51, 100	0275006 ..... 111	0275521.....177
0140011.....99	0272879 ..... 113	0275007 ..... 111	0275522.....177
0140043.....22, 152, 164, 176	0272880 ..... 113	0275016 ..... 62, 121	0275523.....177
0200783.....70, 74	0272881 ..... 113	0275017 ..... 67, 121	0275530.....53, 208
0200789.....70, 74	0272882 ..... 113	0275018 ..... 61	0275663.....30, 152, 164, 176
0200799.....61, 66	0272887 ..... 41	0275019 ..... 66	0275664.....30, 152, 164, 176
0200800.....66	0272888 ..... 41	0275020 ..... 45	0275665.....29, 152, 164, 176
0200801.....66	0272889 ..... 22	0275021 ..... 45	0275666.....29, 152, 164, 176
0200802.....61, 66	0272913 ..... 41	0275022 ..... 45	0275667.....29
0200803.....61, 66	0272980 ..... 41	0275029 ..... 79	0275692.....58, 121
0200804.....61, 66	0273070 ..... 211	0275042 ..... 45	0275693.....62, 121
0200805.....66	0273071 ..... 211	0275043 ..... 45	0275694.....67, 121
0200807.....61, 66	0273227 ..... 11, 143	0275044 ..... 45	0275695.....71, 121
0200810.....57	0273454 ..... 198, 211	0275072 ..... 113	0275696.....75, 121
0200815.....57	0273543 ..... 209	0275073 ..... 113	0275900.....209
0200816.....61	0273544 ..... 209	0275074 ..... 113	0275937.....212
0200820.....71, 75	0273603 ..... 209	0275075 ..... 113	0276667.....152, 164, 176
0200821.....57	0273698 ..... 45, 46	0275076 ..... 211	0380025.....49
0200822.....57	0273761 ..... 210	0275077 ..... 211	0400215.....45
0200823.....57	0273762 ..... 210	0275078 ..... 211	0400216.....45
0200824.....57	0273841 ..... 100	0275079 ..... 29	0440223.....107, 109
0200825.....57	0273859 ..... 212	0275080 ..... 211	0440257.....70, 74
0200826.....70, 74	0273949 ..... 210	0275081 ..... 211	0440259.....11, 135, 137
0200827.....70, 74	0273950 ..... 210	0275082 ..... 211	0440263.....25, 27
0200828.....70, 74	0273951 ..... 212	0275088 ..... 29	0440264.....13, 57
0200829.....70, 74	0273952 ..... 212	0275103 ..... 35	0440265.....13
0200830.....70, 74	0273955 ..... 212	0275104 ..... 35	0440266.....57, 61, 66, 70, 74
0200831.....70, 74	0273956 ..... 212	0275105 ..... 35	0440267.....61, 66, 70, 74
0200832.....70, 74	0273965 ..... 212	0275120 ..... 41	0561520.....79
0200834.....61, 66	0274012 ..... 41	0275212 ..... 41	0610161.....49, 150, 162, 174
0200838.....57	0274126 ..... 210	0275216 .... 156, 167, 179	0630565.....80, 83, 87, 91, 95
0200839.....61	0274153 ..... 107, 210	0275217 .... 156, 167, 179	0630580.....12
0200840.....66	0274179 ..... 209	0275218 .... 156, 167, 179	0700510.....37
0200841.....70	0274242 ..... 209	0275219 .... 156, 168, 179	0700608.....109
0200842.....74	0274251 ..... 209	0275220 ..... 187	0700610.....107, 109
0240054.....109	0274341 ..... 211	0275221 ..... 198	0700614.....25, 27
0240055.....199	0274370 ..... 208	0275222 ..... 198	0700615.....41, 45, 51
0240071.....105	0274386 ..... 100	0275223 ..... 193	0700616.....45
0240087.....105	0274446 ..... 208	0275224 ..... 193	0700617.....41
0240088.....109	0274516 ..... 208	0275225 ..... 193	0700619.....21
0240093.....109	0274517 ..... 208	0275226 ..... 193	0700624.....21
0240102.....107	0274527 ..... 209	0275227 ..... 193	0700814.....174
0240142.....111	0274545 ..... 209	0275401 ..... 45	0700819.....21
0240144.....111	0274546 ..... 11, 143	0275429 ..... 87	0700823.....83
0272309.....41	0274816 ..... 83	0275432 ..... 208	0700825.....87
0272371.....11, 143	0274817 ..... 79	0275452 .... 156, 167, 179	0701015.....27, 61, 66
0272721.....199, 209	0274818 ..... 79, 80	0275453 .... 156, 168, 179	0701016.....11, 41, 70, 74
0272722.....22	0274841 ..... 57	0275454 .... 156, 168, 180	0701017.....66
0272839.....152, 165, 176	0274849 ..... 210	0275472 ..... 153	0701020.....11, 70, 74
0272843.....152, 153, 165, 176, 177	0274874 ..... 58, 121	0275480 ..... 45, 150	0701022.....57, 58, 61, 62, 66, 67, 70, 71, 74, 75, 79
0272850.....212	0274878 ..... 74	0275485 ..... 153	
0272851.....212	0274879 ..... 75, 121	0275486 ..... 153	
0272852.....212	0274880 ..... 70	0275487 ..... 153	
0272853.....212	0274881 ..... 71, 121	0275489 ..... 153	
0272862.....199, 209	0274929 ..... 79, 80	0275490 ..... 153	
	0274930 ..... 79	0275510 ..... 165	
	0274931 ..... 79	0275511 ..... 165	
	0274932 ..... 95	0275512 ..... 165	
	0274933 ..... 95	0275513 ..... 165	
	0274943 ..... 91		

## SECTION 10 - SPECIAL OPTIONS

0701024..... 79	1001092073..... 109	1001099923..... 188, 195,	1001114886 .... 22, 50, 51
0701026..... 79	1001092074..... 109	199	1001114920 ..... 160
0701027 ..... 70, 74, 79	1001092354.... 58, 62, 67,	1001100029.....211	1001114921 ..... 160
0701029 .... 66, 70, 74, 79	71, 75, 202	1001100819.....17	1001114924 ..... 22, 50
0740603 ..... 105	1001092454..... 53	1001100820.....17	1001114925 ..... 22, 51
0760408 ..... 37	1001092456..... 21, 204	1001100840.....13	1001114929 ..... 49
0760410 ..... 41	1001092580..... 195	1001100894.....13	1001114930 ..... 49
0760606 .... 149, 162, 173	1001092701.....211	1001101076.....204	1001114931 ..... 49
0760610 . 37, 42, 45, 111,	1001092702.....211	1001101329.....206, 211	1001114932 ..... 49
149, 161, 162, 173	1001092737..... 12, 16	1001101330.....206, 211	1001114933 50, 150, 162,
0760612 ..... 37, 42	1001092738..... 12, 16	1001102258.....29, 33	174, 204
0760614 .... 149, 161, 173	1001092739..... 21	1001102349.....13	1001114934 ..... 160
0760615 ..... 149	1001092740..... 21	1001102351 .....12	1001114935 50, 150, 162,
0760619 .... 155, 167, 179	1001092741..... 21	1001102353.....12	174
0760808 ..... 100	1001093556 53, 157, 168,	1001102354.....12	1001114937 50, 150, 162,
0760812 ..... 35	180	1001102489.....29, 33	174
0760814 ..... 35	1001093693..... 173	1001102516.....109	1001114992 .... 150, 163,
0761014 ..... 57	1001093839..... 35	1001102549.....109, 210	174
0840041 ... 149, 151, 161,	1001094105..... 157, 168,	1001102562.....109	1001115002 .... 149, 161,
163, 173, 175	180	1001103029.....42	173
0840058 ... 149, 150, 161,	1001094124..... 22	1001103030.....42	1001115022 ..... 161, 162
162, 173, 174	1001094154..... 148	1001103257 ..29, 33, 152,	1001115076 .... 149, 161,
0840059 .... 149, 161, 173	1001094155..... 160	164, 176	173
0840060 .... 150, 163, 174	1001094156..... 160	1001103258 29, 152, 164,	1001115126 .... 148, 160,
0840061 .... 148, 160, 172	1001094157..... 172	176	172
0860520 .... 187, 193, 198	1001094175..... 149, 161,	1001103307.....210	1001115170 ..... 21
0861527 ..... 113	173	1001105108.....41	1001115173 ..... 25
0861678 ..... 45, 46	1001094180..... 149, 161,	1001105109.....41	1001115471 ..... 163
0861731 .... 153, 165, 177	173	1001106715.....208	1001115472 ..... 163
0861781 .... 153, 165, 177	1001094203..... 53	1001106716.....208	1001116630 ..... 148
0902780 ..... 35, 37	1001094301..... 21	1001106717 .....208	1001116631 ..... 148
0902905 ..... 41	1001094332..... 148	1001109088...25, 27, 204	1001116632 ..... 172
0902906 ..... 41	1001094333..... 160	1001109146.....208	1001116633 ..... 172
0903086 ..... 41	1001094334..... 160	1001109147 .....208	1001116634 ..... 148
0903319 ..... 35	1001094335..... 172	1001109148.....208	1001116635 ..... 149, 150
0903339 ..... 149	1001094359..... 187, 194,	1001109207.....208	1001116636 ..... 172
0903416 ..... 113	198	1001109208.....208	1001116637 ..... 173, 174
0903444 ..... 35	1001095299..... 111	1001109209.....208	1001116928 .... 188, 195,
0903484 .... 155, 167, 179	1001095300..... 111	1001109210.....208	199
0903566 .... 155, 167, 179	1001096138..... 149, 161,	1001109211.....208	1001116956 ..... 38
0903569 .... 155, 167, 179	173	1001109212.....209	1001117032 ..... 12, 21
0903574 ..... 80	1001096627..... 155, 179	1001109232.....25, 27	1001117033 ..... 12, 21
0962006 .... 120, 124, 130	1001096628..... 153, 165,	1001109233.....25, 27	1001117265 ..... 25
0962181 .... 120, 124, 130	177	1001109475..... 155, 167,	1001117266 ..... 27
0962257 .... 120, 124, 130	1001096705..... 149	179, 204	1001118215 ..... 100
0962292 ..... 27	1001096706..... 162	1001109482..... 155, 167,	1001118216 ..... 100
1001091102 .... 155, 167,	1001096707..... 173	179, 204	1001121295 ..... 211
179	1001096794..... 161	1001110176.....208	1001126013 ..... 210
1001091153 ..... 99	1001096795..... 163	1001110177 .....208	1001126898 ..... 25
1001091154 ..... 99	1001096796..... 175	1001110178.....208	1001126900 ..... 25
1001091272 ..... 99	1001096799..... 161, 162	1001110179.....208	1001126903 ..... 27
1001091275 ..... 99	1001097150..... 155, 167,	1001110180.....208	1001126905 .. 25, 27, 204
1001091277 ..... 99	179	1001110181.....208	1001128998 ..... 209
1001091278 ..... 99	1001097347..... 148, 161,	1001110826.....46, 149	1001128999 ..... 209
1001091280 ..... 99	172, 202	1001112111.....29	1001129000 ..... 209
1001091393 ..... 100, 210	1001098162..... 211	1001112112.....45	1001129267 . 11, 12, 137,
1001091396 ..... 100	1001099628..... 16	1001112113 345, 152, 164,	144
1001091492 ..... 21	1001099676..... 16	176	1001129268 12, 137, 144
1001091502 ..... 16, 151	1001099919..... 188, 195,	1001113574.....29	1001129288 ..... 57, 124
1001091843 17, 163, 175	199	1001113576.....29	1001129289 ..... 61, 124
1001091965 .... 100, 204,	1001099920..... 188, 195,	1001113888.....143	1001129290 ..... 66, 124
210	199	1001114466.....13	1001129291 ..... 70, 124
1001091967 ..... 210	1001099921..... 188, 195,	1001114467 .....13	1001129292 ..... 74, 124
1001091968 ..... 100	199	1001114882.....12, 21	1001131004 ..... 58, 126
1001092071 .... 188, 195,	1001099922..... 188, 195,	1001114883.....160	1001131005 ..... 62, 126
199	199	1001114884.....160	1001131006 ..... 67, 126
1001092072 ..... 109		1001114885.....22, 50	1001131007 ..... 71, 126

## SECTION 10 - SPECIAL OPTIONS

1001131008.....75, 126	1001148904..... 210	1001160492..... 79	1180382..... 61, 66
1001131009.....58, 126	1001148905..... 210	1001160519..... 80	1180383..... 66
1001131010.....62, 126	1001148906..... 210	1001160520..... 79, 80	1260136..... 83, 91, 95
1001131011.....67, 126	1001149795..... 188, 210	1001160522..... 79	1271617..... 83, 87
1001131012.....71, 126	1001149796..... 188, 210	1001160523..... 80	1271618..... 83, 87
1001131013.....75, 126	1001149797..... 188, 210	1001160524..... 79, 80	1271630..... 111
1001131019.....57	1001149798..... 188, 210	1001160530..... 79	1271631..... 111
1001131020.....61	1001149799..... 188, 210	1001160582..... 80	1320043..... 35
1001131021.....66	1001151156..... 209	1001160583..... 80	1320136..... 29, 33
1001131024.....70	1001152479..... 155	1001162362..... 155	1320162..... 21
1001131026.....74	1001152482..... 155	1001162447..... 153	1320224..... 113
1001131027.....57	1001152485..... 155	1001162449..... 153	1320318..... 148, 172
1001131028.....61	1001154507..... 209	1001165284..... 50	1321130..... 46
1001131029.....66	1001154508..... 209	1001165286..... 50	1321293..... 29, 33
1001131030.....70	1001154509..... 209	1001165315..... 50	1321716..... 150, 162, 174
1001131031.....74	1001154515..... 37	1001166194..... 49	1380132..... 83, 87, 91, 95
1001131033.....57, 124	1001154516..... 37	1001166195..... 49	1380153..... 11
1001131034.....61, 124	1001154518..... 37	1001166197..... 49	1380156..... 99
1001131035.....66, 124	1001154752..... 37	1001166255..... 50	1380158..... 148, 160, 172
1001131036.....70, 124	1001155042..... 150, 162, 174	1001166823..... 22, 50	1380159..... 100
1001131037.....74, 124	1001155292..... 38	1001166825..... 22, 51	1580023..... 105
1001131074..... 11, 143	1001155840..... 57, 130	1001166828..... 22, 51	1580024..... 105
1001131075..... 11, 143	1001155841..... 61, 130	1001167256..... 50, 150, 162, 174	1600244..... 157, 169, 180
1001131076..... 11, 143	1001155842..... 66, 130	1001171015..... 212	1600402..... 99, 103
1001131270..... 187, 193	1001155843..... 70, 130	1001172007..... 29	1600439..... 99
1001132233.....45	1001155844..... 74, 130	1001172008..... 29	1600466..... 30
1001132439..... 17, 163, 175	1001155850..... 11, 12, 139, 144	1001172010..... 29	1671098..... 99
1001134438.....202	1001155851..... 12, 139, 144	1001177842..... 33	1671105..... 49
1001134933.....79	1001157315..... 57	1001179427..... 33	1671124..... 51
1001134934.....80	1001157316..... 61	1001179428..... 33	1671131..... 100
1001134951.....79	1001157317..... 66	1001180090..... 50	1671132..... 21
1001135316.....211	1001157319..... 70	1001182806..... 22	1671133..... 21
1001135317.....211	1001157320..... 74	1001183012..... 33	1671202..... 45
1001135753..... 198, 211	1001157321..... 58, 131	1001183013..... 33	1671203..... 45
1001136757.....37	1001157322..... 62, 132	1001183458..... 22	1671204..... 45
1001136847.....35	1001157323..... 67, 132	1001184682..... 22	1671207..... 153, 165, 177
1001137005..... 157, 169, 181, 212	1001157324..... 71, 132	1001185053..... 22	1684237..... 11, 12, 135, 144
1001138008.....37	1001157325..... 75, 132	1001185500..... 22	1684456..... 12, 135, 144
1001138967.....37	1001157326..... 11, 143	1001185661..... 210	1684484..... 57, 118
1001139009.....37	1001157327..... 11, 143	1001185666..... 210	1684487..... 61, 118
1001140336.....211	1001157328..... 11, 143	1001185668..... 210	1684488..... 66, 118
1001141655.....210	1001157329..... 57, 130	1001185669..... 210	1684489..... 70, 118
1001141656.....210	1001157330..... 61, 130	1001188716..... 208	1684490..... 74, 118
1001141657.....210	1001157331..... 66, 130	1001190009..... 208	1684526..... 57, 118
1001141967..... 153, 165, 177	1001157332..... 70, 130	1001190010..... 208	1684527..... 61, 118
1001141968..... 154, 166, 177, 178	1001157333..... 74, 130	1001190011..... 208	1684528..... 66, 118
1001141969..... 154, 166, 177, 178	1001157334..... 57	1001191850..... 208	1684529..... 70, 118
1001141970..... 154, 156, 166, 168, 177, 178, 180	1001157335..... 61	1001193039..... 212	1684530..... 74, 118
1001141971..... 154, 156, 165, 167, 177, 178, 179	1001157336..... 67, 132	1001214536..... 211	1700584..... 187, 193, 198
1001142174.....37	1001157337..... 70	1060279..... 193	1701499..... 187, 194, 198
1001143009.....37	1001157338..... 74	1060331..... 105	1701509..... 187, 193, 198
1001143010.....37	1001157339..... 58, 131	1060379..... 105, 107, 109, 113	1702010..... 111
1001143663..... 143	1001157340..... 62, 132	1060633..... 157, 169, 180	1702155..... 187, 193, 198
1001145762.....37	1001157341..... 66	1060680..... 156, 168, 180	1702773..... 187, 194, 198
1001145763.....37	1001157342..... 71, 132	1060688..... 29	1703464..... 153, 165, 177, 187, 194, 198
1001145881.....37	1001157343..... 75, 132	1060689..... 29	1703811..... 187, 193, 198
1001146794..... 187, 188, 194, 198	1001157513..... 37	1060908..... 155, 167, 179	1703813..... 187
1001146795..... 198	1001157547..... 37	1060957..... 113	1703814..... 187, 193, 198, 199
1001148902.....210	1001157645..... 37	1060998..... 150, 163, 174	1703819..... 100, 187, 193, 198
1001148903.....210	1001157790..... 37	1061034..... 62, 67, 71, 75, 121, 126, 132	1703822..... 187, 193, 198
	1001157920..... 212	1061036..... 58, 121, 126, 132	1703834..... 193
	1001158712..... 38	1120555..... 105	1703856..... 194
	1001159192..... 45	1180380..... 71, 75	1704016..... 187, 193, 198
	1001160452..... 80		1704277..... 187, 193, 198
	1001160453..... 79, 80		

## SECTION 10 - SPECIAL OPTIONS

1704339.....	194	1706052.....	194	2902493.....	91	3311405.....	105
1704340.....	194	1706053.....	194	2902494.....	92	3311605.....	109
1704341.....	194	1706056.....	194	2902496.....	83	3321005.....	50
1704344.....	194	1706057.....	193	2902499.....	61	3321402... 58, 62, 67, 71,	
1704412....	187, 193, 198	1706310....	188, 195, 199	2902500.....	67	75, 121, 126, 132	
1704905.....	38	1706311.....	188, 195	2902522.....	210	3340612....	83, 87, 91, 96
1705051.....	211	1706312.....	199	2902523.....	210	3340957....	62, 67, 71, 75
1705052.....	35, 211	1706331.....	212	2902524.....	210	3340962... 57, 61, 66, 70,	
1705213.....	113	1706350.....	46	2902525.....	210	74	
1705214.....	113	1706679.....	53	2902526.....	210	3340964.....	58
1705303.....	195	1706749.....	35	2902528.....	210	3340965.....	79
1705304.....	209	1706765.....	35	2902532.....	210	3340968.....	99
1705305.....	113	1706922.....	209	2902535.....	87	3340976.....	79
1705638.....	188, 194	2030010.....	113	2902536.....	88	3380475.....	99
1705639.....	188, 195	2080040... 83, 87, 91, 95,		2902541....	155, 167, 179	3380527.....	105
1705640.....	188, 195	187, 193, 198		2915016.....	208	3421453....	107, 109, 113
1705641.....	188, 195	2080057... 187, 193, 198		2915230.....	212	3422219....	105, 107, 109
1705647.....	188, 195	2110404.... 12, 135, 137,		2915240.....	80	3422997....	61, 66, 70, 74
1705648.....	199	139, 143, 144		2915241.....	80	3422998.....	66, 70, 74
1705666.....	199	2220882.....	120	2920026.....	49	3423009.....	70, 74
1705667.....	199	2220883.....	119, 120	2920094.....	49	3423011.....	70, 74
1705668.....	199	2300028.....	210	2920161....	41, 152, 164,	3423014... 61, 66, 67, 70,	
1705670.....	198	2300042.....	210	176		74	
1705671.....	198	2400061.....	105	2930005.....	41	3423026.....	70, 74
1705673.....	198	2400066.....	105	2940064.....	83, 91, 95	3423031.....	57
1705676.....	99	2420172.....	49	2940174.....	45	3423032.....	57
1705679.....	187, 194	2460042.....	211	2940175.....	45	3423036.....	61, 66
1705680.....	187, 194	2540042.... 148, 160, 172		3010088.....	83, 91, 95	3423037.....	12
1705681.....	187, 194	2540045.....	80	3010158.....	25, 27	3423038.....	57, 61, 66
1705686.....	187	2560088... 83, 87, 91, 95		3080007... 83, 87, 91, 95,		3423039.....	66
1705692....	187, 193, 198	2560179.....	99	204		3423042.....	57
1705693....	187, 193, 198	2560191... 83, 87, 91, 95		3125053.....	211	3423045.....	25, 27
1705694.....	187, 193	2560205.....	163, 175	3128145.....	211	3423049.....	79
1705695.....	187, 193	2600281... 83, 87, 91, 95		3128601.....	13	3423067.....	61, 66
1705696.....	49	2700100.....	105	3128703.....	13	3423170.....	71, 75
1705697.....	49	2753883.....	143	3200454... 58, 62, 67, 71,		3423189.....	25, 27
1705698.....	49	2755056.....	143	75		3423239.....	58
1705699.....	188, 195	2760115.....	99	3251813.....	188, 195	3423255.....	71, 75
1705704.....	199	2780266.....	12	3252098.....	194	3423259.....	62, 67
1705717.....	194	2792599.....	143	3252507... 153, 165, 177,		3423267.....	25, 27
1705718.....	194	2820026... 148, 150, 160,		187, 194, 198		3423278.....	87, 92, 96
1705719.....	194	162, 172, 174		3290405... 25, 27, 37, 41,		3423289.....	27
1705720.....	194	2820028... 148, 150, 160,		100, 155, 167, 179		3450303.....	57
1705721.....	194	162, 172, 174		3290505.....	37	3450406.....	12
1705722.....	193	2820097..... 83, 91, 95		3290601.....	162, 174	3460334.....	105
1705723.....	193	2820239.....	35	3290605... 21, 25, 27, 37,		3510888.....	80
1705724.....	194	2860030..... 50, 202		41, 42, 45, 149, 155,		3510890.....	80
1705725.....	194	2890186.....	209	161, 162, 167, 173,		3510892.....	80
1705726.....	193	2890189.....	210	174, 179		3520072... 83, 87, 91, 95,	
1705727.....	194	2901443... 157, 169, 180,		3290606... 21, 83, 87, 91,		107, 109	
1705754.....	46, 113	212		95, 107, 109, 111, 113,		3520176.....	109
1705781....	187, 194, 198	2902267.....	210	149, 161, 162, 173		3520193.....	49
1705792.....	111	2902331.....	208	3290607....	41, 155, 167,	3574067.....	80
1705793.....	111	2902334.....	113	179		3574159.....	57
1705819.....	199	2902347.....	109	3290805.....	35, 100	3574161....	61, 66, 71, 75
1705880.....	188, 195	2902348.....	105	3290806....	83, 87, 91, 95	3574176.....	25, 27
1705887.....	199	2902386.....	107	3291005... 25, 27, 41, 57,		3574184.....	83, 87, 91
1705894.....	194	2902405.....	211	58, 62, 67, 71, 75, 79,		3574505.....	111
1705941.....	188, 195	2902431... 156, 167, 179		80, 83, 87, 91, 95, 150		3574506.....	111
1705942.....	199	2902448.....	83	3291007... 61, 66, 67, 71,		3574636.....	199
1705943.....	194	2902449.....	84	75		3574714.....	21
1705944.....	194	2902455.....	58	3300048.....	113	3574981.....	45
1705945.....	194	2902475..... 71, 75		3300423.....	12	3574984.....	45
1705946.....	193	2902489.....	96	3300473.....	99	3575794.....	100
1705953.....	113	2902490.....	95	3300477.....	95	3576093.....	57
1705985.....	109	2902491.....	95	3310601.....	105	3576349.....	41
1705997.....	105	2902492.....	91	3311005.....	105	3576645.....	83

## SECTION 10 - SPECIAL OPTIONS

3576646.....95	4010612 ..... 167, 179	4420037 ..... 96, 111	4460662..... 154, 166, 177
3576932..... 87, 91	4010614 ..... 113	4420051 ..... 199	4460754..... 150, 162, 174
3577076..... 46	4010616 ... 83, 87, 91, 95, 149, 161, 173	4420062 .... 105, 107, 109	4460761..... 149, 161, 173
3641604..... 83	4010617 ..... 87, 92, 96	4420070 .... 41, 58, 71, 75	4460779..... 37, 156, 168, 180
3641605..... 83	4010618 ... 83, 84, 87, 92, 95, 96, 113	4420071 ..... 80	4460868..... 157, 168, 180
3641606..... 83	4031512 ..... 25, 27	4420072 ..... 80	4460871..... 149, 161, 173
3641607..... 95	4031607 ..... 53	4420073 ..... 80	4460873..... 148, 161, 173
3641608..... 95	4031713 ..... 45, 161, 173	4420074 ..... 80	4460877..... 157, 168, 180
3641609..... 95	4060865 ..... 41	4420075 ..... 80	4460878..... 105
3641610..... 95	4071094 ... 61, 67, 71, 75	4420080 ..... 41, 71, 75	4460884..... 105, 150, 162, 174
3641611..... 95	4071102 ..... 46	4460138 .... 37, 154, 156, 166, 168, 178, 180	4460885..... 105
3641612..... 95	4160078 ... 58, 62, 67, 71, 75, 121, 126, 132	4460226 ... 148, 152, 157, 160, 164, 168, 169, 172, 176, 180, 181	4460887..... 105
3641613..... 95	4160202 ..... 25, 27	4460227 29, 33, 149, 152, 161, 164, 173, 176	4460891..... 38, 149, 151, 152, 161, 163, 164, 173, 175, 176
3641614..... 91, 95	4160203 ..... 99	4460265 .... 148, 160, 172	4460894..... 149, 161, 173
3641615..... 91, 95	4191306 ..... 99	4460266 .... 152, 164, 176	4460897..... 38, 149, 161, 173
3641616..... 91	4191407 ..... 99	4460267 ... 148, 150, 157, 160, 162, 168, 172, 174, 180	4460899 29, 33, 149, 152, 156, 161, 164, 168, 173, 175, 180
3641617..... 91	4191409 ..... 99	4460268 .... 150, 162, 174	4460928..... 150, 162, 174
3641618..... 91	4191706 ... 21, 22, 29, 33, 35, 58, 62, 67, 71, 75, 107, 109, 155, 167, 179	4460315 .... 153, 165, 177	4460929..... 150, 162, 174
3641619..... 87, 91	4191707 ... 29, 33, 35, 41, 45	4460320 .... 148, 160, 172	4460930..... 148, 160, 172
3641620..... 87, 91	4191708 .... 21, 155, 167, 179	4460321 ... 150, 157, 162, 168, 169, 174, 180, 181	4460931..... 149, 161, 162, 173
3641621..... 91	4191709 ..... 21	4460328 ..... 113	4460942..... 149, 161, 173
3641622..... 91	4220227 ..... 107, 109	4460346 .... 154, 166, 178	4460943..... 149, 150, 161, 162, 173
3641650..... 87	4220252 ..... 46	4460374 .... 148, 161, 172	4460944..... 148, 150, 160, 162, 172, 174
3641651..... 87	4220253 ..... 46	4460375 .... 148, 161, 172	4460956..... 155, 167, 179
3641652..... 87	4220287 ..... 25	4460418 ..... 37, 150, 162, 174	4460957..... 155, 167, 179
3641653..... 87	4220293 ..... 27	4460419 ..... 37, 150, 162, 174	4460961..... 150, 162, 174
3641654..... 87	4240003 ... 105, 107, 109, 156, 168, 180	4460424 29, 33, 152, 157, 164, 168, 176, 180	4460968..... 37
3730119..... 150, 162, 174	4240017 ..... 38	4460428 .... 154, 166, 178	4461012..... 105
3740150 21, 37, 151, 163, 175, 204	4240147 ..... 21	4460464 ... 29, 33, 37, 38, 105, 148, 149, 152, 156, 160, 161, 162, 164, 168, 172, 173, 175, 176, 180	4461016..... 148, 160, 172
3760115..... 25, 27, 57	4240164 ..... 109	4460465 37, 38, 105, 148, 149, 150, 151, 152, 160, 161, 162, 163, 164, 172, 173, 174, 175, 176	4461057..... 148, 160, 172
3760170..... 57, 61, 66, 70, 74, 105, 107, 109, 113	4240165 ..... 111	4460466 ... 148, 150, 156, 160, 162, 168, 172, 174, 180	4461076..... 150, 162, 174
3760348..... 25, 27	4240172 ..... 46	4460467 ... 157, 168, 180, 212	4461077..... 150, 162, 174
3760387..... 61, 67, 70, 74	4340739 ..... 50	4460493 .... 150, 162, 174	4461196..... 29, 152, 155, 164, 166, 176, 178
3760463..... 12	4340751 ..... 22	4460496 .... 148, 160, 172	4461197..... 155, 166, 178
3820019..... 84, 87, 92, 96	4340853 ..... 105	4460497 .... 148, 160, 172	4461198..... 153, 154, 165, 166, 177, 178
3820032..... 46	4340854 ..... 105	4460508 .... 151, 163, 175	4461199..... 29, 155, 166, 178
3841143..... 57, 61, 67, 70, 74	4340911 ..... 109	4460509 .... 151, 163, 175	4461200..... 155, 166, 178
3841667..... 109	4340914 ..... 80	4460510 ... 157, 169, 180, 212	4461201..... 153, 154, 165, 166, 177, 178
3841675..... 107	4340938 ..... 113	4460536 .... 152, 164, 176	4461202..... 30, 154, 155, 166, 178
3841716..... 83, 87, 91, 95	4340946 ..... 107	4460539 ... 148, 161, 172, 173	4461203..... 154, 155, 166, 178
3860104..... 70, 74	4340947 ..... 107	4460618 .... 163, 174, 175	4461204..... 153, 154, 165, 166, 177, 178
3860107..... 67	4341055 ..... 212	4460633 .... 154, 166, 178	4461205..... 30, 154, 155, 166, 167, 178
3860111..... 84, 87, 92, 96	4360069 ..... 50, 202	4460648 ..... 29, 148, 152, 161, 164, 173, 175	4461206..... 154, 155, 166, 167, 178
3860118..... 80	4360155 ..... 113		4461207..... 154, 166, 177, 178
3900333..... 99	4360328 ..... 50, 202		4461244..... 153, 154, 165, 166, 177, 178
3900336..... 49	4360336 .... 37, 157, 168, 180, 204		
3900338..... 49, 100	4360387 .... 53, 156, 168, 180, 202		
3900339..... 49	4360469 ..... 50, 204		
3900345..... 84, 87, 92, 96	4360470 ..... 50, 204		
3900351..... 25, 79, 150	4360475 ..... 50, 100, 202		
3900355..... 105	4360482 ..... 211		
3900356..... 50	4360526 .... 152, 164, 176		
3931010..... 105	4360538 ..... 100, 202		
3931408..... 105	4360539 ... 100, 152, 164, 176, 202		
3931412..... 105	4360613 ... 156, 168, 180, 204		
3931508..... 105			
3931620..... 109			
3990010..... 156, 168, 180, 204			
3990013..... 172			
4010405..... 155, 167, 178			
4010408..... 155, 167, 178			
4010415..... 25, 27			
4010608..... 113, 155			

## SECTION 10 - SPECIAL OPTIONS

4461245 ... 153, 154, 165, 166, 177, 178	4846861 ..... 25	70001739..... 16	70004782..... 139
4461246 ... 153, 154, 165, 166, 177, 178	4846862 ..... 27	70001878.. 58, 62, 67, 71, 75, 121, 126, 132	70004783..... 139
4461249 ..... 30, 154, 166, 178	4846863 ..... 25	70001949..... 17	70004784..... 139
4461250 .... 155, 166, 178	4846876 ..... 109	70001982..... 121	70004914..... 125, 131
4461257 .... 154, 166, 178	4922870 ... 100, 148, 160, 172	70002682..... 21	70004915..... 125, 131
4461258 .... 154, 166, 178	4922944 ... 156, 168, 180, 208	70002683..... 21	70004916..... 125, 131
4461260 .... 151, 163, 175	4923048 ..... 113	70003028..... 125, 131	70004917..... 125, 131
4461261 .... 151, 163, 175	4923049 ..... 113	70003645..... 118	70004921 .. 126, 131, 204
4520565 ..... 13	4923050 ..... 113	70003646..... 118	70004925..... 125, 131
4520676 ..... 13	4923051 ..... 113	70003650..... 103	70004926..... 125, 131
4530021 ..... 113	4923052 ..... 113	70003663..... 124	70004927..... 125, 131
4530026 ..... 105	4923114 ..... 105	70003706..... 204	70004928 .. 125, 131, 204
4568667 ..... 87, 91, 95	4923115 ..... 105	70003707... 125, 131, 204	70004932..... 125, 131
4568738 ..... 100	4923121 ..... 105	70004237..... 124	70004934..... 125, 131
4569305 ..... 83	4923365 ..... 151	70004239..... 137	70004935..... 125, 131
4569310 ..... 95	4923366 ..... 151	70004240..... 137	70004936..... 125, 131
4569319 ..... 91	4923367 ..... 151	70004241..... 137	70004938 .. 124, 125, 130
4569404 ..... 87, 91, 95	4923374 ..... 151	70004242..... 137	70004941..... 125, 131
4569428 ..... 87	4923389 .... 156, 168, 180	70004243..... 137	70004942..... 125, 131
4661199 .... 152, 164, 176	4923390 .... 156, 168, 180	70004244..... 137	70004943. 124, 125, 130, 131
4661202 .... 152, 164, 176	4923391 .... 156, 168, 180	70004245..... 137	70004945. 124, 125, 130, 131
4661205 .... 152, 164, 176	4923392 .... 157, 168, 180	70004585..... 125, 131	70004947..... 125, 131
4661249 .... 152, 164, 176	4923393 .... 157, 168, 180	70004620..... 124	70004948..... 125, 131
4711400 .... 105, 107, 109	4923401 ..... 174	70004621..... 124	70004949. 124, 125, 130, 131
4711600 ..... 109	4923402 ..... 175	70004622..... 124	70004951..... 125, 131
4740086 ..... 25, 27	4923406 ..... 175	70004623..... 124	70004952..... 125, 131
4740120 ..... 37	4923409 ..... 175	70004624..... 125	70004953. 124, 125, 130, 131
4740362 ..... 37	4923413 ..... 151, 163	70004625..... 125	70004970..... 125, 131
4740438 .... 61, 67, 71, 75	4923414 ..... 151, 163	70004626..... 125	70004971..... 126, 131
4740468 ..... 12	4923602 .... 22, 151, 163, 175	70004627..... 125	70004972..... 126, 131
4740480 ..... 105	4923647 ..... 149	70004628..... 124	70004973..... 125, 131
4740524 ..... 12	4923648 ..... 151	70004629..... 124	70004974..... 125, 131
4740531 ..... 57	70000082 ..... 103	70004630..... 124	70004975..... 125, 131
4740545 .... 148, 160, 172	70000084 ..... 103	70004631..... 124	70004980..... 125, 131
4740562 ..... 35	70000107 ..... 135	70004632..... 124	70005233..... 125, 131
4740564 ..... 12	70000108 ..... 135	70004633..... 125	70005234..... 125, 131
4750800 ..... 41	70000110 ..... 135	70004634..... 124	70005235..... 125, 131
4751000 ..... 50	70000191 ..... 16	70004635..... 124	70005236..... 126, 131
4751400 21, 41, 162, 174	70000335 ..... 119	70004636..... 124	70005237..... 126, 131
4751500 ..... 37	70000383 ..... 17	70004637..... 124	70005238..... 125, 131
4811400 .... 37, 100, 155, 167, 179	700004718..... 130	70004638..... 124	70005240..... 125, 131
4811600 ..... 37, 46, 53	70000555 ..... 212	70004639..... 125	70005241..... 125, 131
4811700 ... 22, 25, 27, 29, 33, 35, 37, 41, 42, 45, 109, 111, 113, 155, 167, 179	70000658 ..... 119	70004640..... 125	70005242..... 125, 131
4811702 ..... 149	70000659 ..... 119	70004641..... 124	70007781..... 17
4811900 ..... 22, 83, 87	70000683 ..... 103	70004654..... 126, 131	70010346..... 210
4812000 ... 12, 25, 27, 57, 61, 67, 71, 75, 80, 83, 87, 91, 95, 150	70000684 ..... 103	70004719..... 130	7002821 ... 157, 168, 180, 212
4831700 ..... 21	70000685 ..... 103	70004720..... 130	7002822 ..... 212
4846684 ..... 71, 75	70000686 ..... 103	70004721..... 130	7002823 ... 157, 168, 180, 212
4846723 .... 83, 87, 92, 96	70000688 ..... 103	70004722..... 130	7002826 ..... 212
4846752 ..... 67	70000689 ..... 103	70004723..... 130	7002828 ... 157, 169, 180, 212
4846757 ..... 12	70000790 ..... 16	70004724..... 130	7004275 ..... 212
4846764 ..... 80	70000791 ..... 16	70004725..... 130	7004276 ..... 212
4846768 ..... 80	70000792 ..... 17	70004727..... 130	7016319 ..... 41
4846775 ..... 25	70000798 ..... 120, 204	70004728..... 130	7016372 ..... 41
4846811 ..... 27	70000799 ..... 120, 204	70004729..... 130	7016654 ..... 212
4846812 ..... 41	70001250 ..... 103	70004730..... 130	7020175 ..... 50, 100
4846813 ..... 41	70001251 ..... 103	70004731..... 130	7020176 ..... 50, 100
4846816 ..... 25	70001252 ..... 103	70004732..... 130	7020218 ... 58, 62, 67, 71, 75, 121, 126, 132
	70001253 ..... 103	70004733..... 130	
	70001263 ..... 17	70004734..... 130	
	70001265 ..... 18	70004735..... 130	
	70001345 ..... 17	70004736..... 130	
	70001442 .. 151, 163, 175	70004737..... 130	
	70001443 .. 151, 163, 175	70004779..... 139	
	70001444 .. 151, 163, 175	70004780..... 139	
	70001709 ..... 121	70004781..... 139	

## SECTION 10 - SPECIAL OPTIONS

7023528.....	121	7023551 .....	120	7023575 .....	119	7024756.....	17
7023529.....	120	7023552 .....	120	7023576 .....	120, 204	7024757.....	16
7023530.....	120	7023553 .....	120	7023577 .....	118	7024758.....	17
7023531.....	120	7023554 .....	120	7023578 .....	118	7024771.....	17
7023532.....	120	7023556 .....	120	7023579 .....	119	7024772.....	17
7023533.....	120	7023557 .....	118	7023580 .....	119	7024773.....	17
7023534.....	120	7023558 .....	118	7023581 .....	119	7024776.....	17
7023535.....	118	7023559 .....	135	7023582 .....	119	7024785.....	17
7023536.....	120	7023560 .....	135	7023583 .....	118	7024786.....	16
7023537.....	120	7023561 .....	135	7023584 .....	119	7024787.....	18
7023538.....	120	7023562 .....	135	7023585 .....	118	7027303.....	113
7023539.....	118	7023563 .....	135	7023586 .....	119	7027365.....	103
7023542.....	120	7023564 .....	135	7023587 .....	118	7027367.....	103, 202
7023543.....	120	7023565 .....	135	7023588 .....	119	7027765.....	103
7023544.....	120	7023568 .....	118	7023589 .....	118	7027766.....	103
7023545.....	120	7023569 .....	118	7023591 .....	119	7027863.....	45
7023546.....	120	7023570 .....	119	7023593 .....	118, 204	8005670.....	109
7023547.....	120	7023571 .....	119	7024747 .....	17	80325.....	107, 109
7023548.....	120	7023572 .....	119	7024748 .....	17		
7023549.....	118	7023573 .....	119	7024749 .....	17		
7023550.....	120	7023574 .....	119	7024750 .....	17		







3121275



An Oshkosh Corporation Company

Corporate Office  
JLG Industries, Inc.  
1 JLG Drive  
McConnellsburg, PA 17233-9533  
USA

☎ +1-717-485-5161 (Corporate)  
☎ +1-877-554-5438 (Customer Support Toll Free)  
☎ +1-717-485-6417

### JLG Worldwide Locations

JLG Industries  
358 Park Road  
Regents Park  
NSW 2143  
Sydney 2143  
Australia  
☎ +6 (12) 87186300  
☎ +6 (12) 65813058  
Email: techservicesaus@jlg.com

JLG Ground Support Oude  
Bunders 1034  
Breitwaterstraat 12A  
3630 Maasmechelen  
Belgium  
☎ +32 (0)89 84 82 26  
Email: emeaservice@jlg.com

JLG Latino Americana LTDA  
Rua Antonia Martins Luiz, 580  
Distrito Industrial Joao Narezzi  
Indaiatuba-SP 13347-404  
Brasil  
☎ +55 (19) 3936 7664 (Parts)  
☎ +55 (19) 3936 9049 (Service)  
Email: comercialpecas@jlg.com  
Email: servicos@jlg.com

Oshkosh-JLG (Tianjin)  
Equipment Technology LTD  
Shanghai Branch  
No 465 Xiao Nan Road  
Feng Xian District  
Shanghai 201204  
China  
☎ +86 (21) 800 819 0050

JLG Industries Dubai  
Jafza View  
PO Box 262728, LB 19  
20th Floor, Office 05  
Jebel Ali, Dubai  
☎ +971 (0) 4 884 1131  
☎ +971 (0) 4 884 7683  
Email: emeaservice@jlg.com

JLG France SAS  
Z.I. Guillaume Mon Amy  
30204 Fauillet  
47400 Tonniens  
France  
☎ +33 (0) 553 84 85 86  
☎ +33 (0) 553 84 85 74  
Email: pieces@jlg.com

JLG Deutschland GmbH  
Max Planck Str. 21  
27721 Ritterhude-Ihlpohl  
Germany  
☎ +49 (0) 421 69350-0  
☎ +49 (0) 421 69350-45  
Email: german-parts@jlg.com

JLG Equipment Services Ltd.  
Rm 1107 Landmark North  
39 Lung Sum Avenue  
Sheung Shui N. T.  
Hong Kong  
☎ +(852) 2639 5783  
☎ +(852) 2639 5797

JLG Industries (Italia) S. R. L.  
Via Po, 22  
IT-20010 Pregnana Milanese (MI)  
Italy  
☎ +39 (0) 2 9359 5210  
☎ +39 (0) 2 9359 5211  
Email: ricambi@jlg.com

JLG EMEA B.V.  
Polaris Avenue 63  
2132 JH Hoofdorf  
The Netherlands  
☎ +31 (0) 23 565 5665  
Email: emeaservice@jlg.com

JLG NZ Access Equipment & Services  
2B Fisher Crescent  
Mt Wellington 1060  
Auckland, New Zealand  
☎ +6 (12) 87186300  
☎ +6 (12) 65813058  
Email: techservicesaus@jlg.com

JLG Industries  
Vahutinskoe shosse 24b  
Khimki,  
Moscow Region 141400  
Russia Federation  
☎ +7 (499) 922 06 99  
☎ +7 (499) 922 06 99

Oshkosh-JLG Singapore  
Technology Equipment P te Ltd.  
35 Tuas Avenue 2  
Jurong Industrial Estate  
Singapore 639454  
☎ +65 6591 9030  
☎ +65 6591 9045  
Email: SEA@jlg.com

JLG Iberica S. L.  
Trapadella, 2  
Pol. Ind. Castellbisbal Sur  
08755 Castellbisbal  
Barcelona  
Spain  
☎ +34 (0) 93 772 47 00  
☎ +34 (0) 93 77 117 62  
Email: parts\_iberica@jlg.com

JLG Sverige AB  
Enkopingsvagen 150  
17627 Jarfalla  
Sweden  
☎ +46 (0) 8 506 595 00  
☎ +46 (0) 8 506 595 27  
Email: nordicsupport@jlg.com

JLG Industries (UK) Ltd.  
Bentley House  
Bentley Avenue  
Middleton, Greater Manchester  
M24 2GP  
United Kingdom  
☎ +44 (0) 161 654 1000  
☎ +44 (0) 161 654 1003  
Email: ukparts@jlg.com

[www.jlg.com](http://www.jlg.com)