

Thwaites**201 - HI-TIP****allparts****Thwaites**
allpartsThwaites Ltd
Leamington Spa
Warwickshire
CV32 7NQ
Tel +44 (0)1926 422471
Fax +44 (0)1926 450458
www.thwaitesdumpers.co.uk

FROM VIN No. A3308

DATED 30th OCTOBER 2003

VIN No. A _ _ _ _ _

ENGINE BUILD No. 3TNV76-KWA

PAYLOAD 1 TONNE

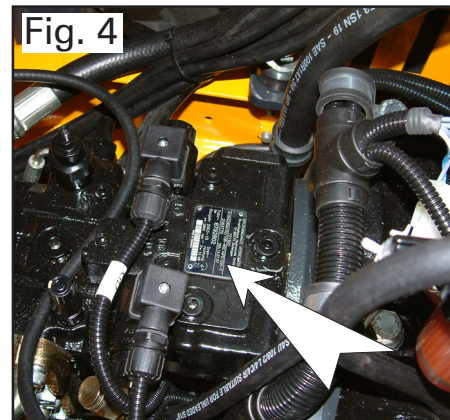
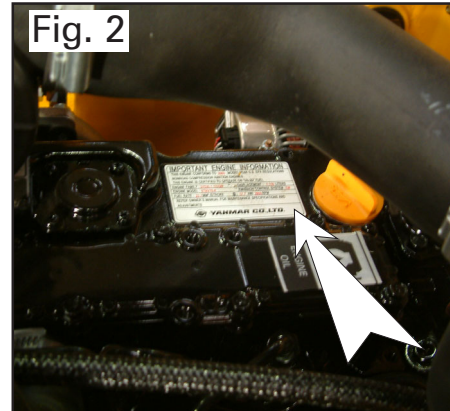
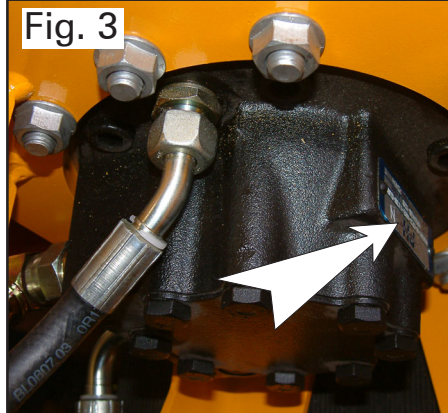
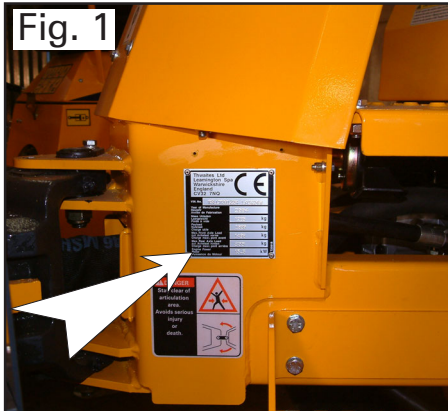
SKIP HI-TIP

TRANSMISSION HYDROSTATIC

TYPE MACH 201

PREFIX No. 08

MACHINE IDENTIFICATION



Serial Numbers

Note machine serial numbers. Always quote them in communication with Thwaites dealer or Head Office.

Model Type (Fig 1.)

Vin N° (Fig. 1)

Engine Serial N° (Fig. 2)

**Wheel Motor Serial N° (Fig. 3) Front
Rear**

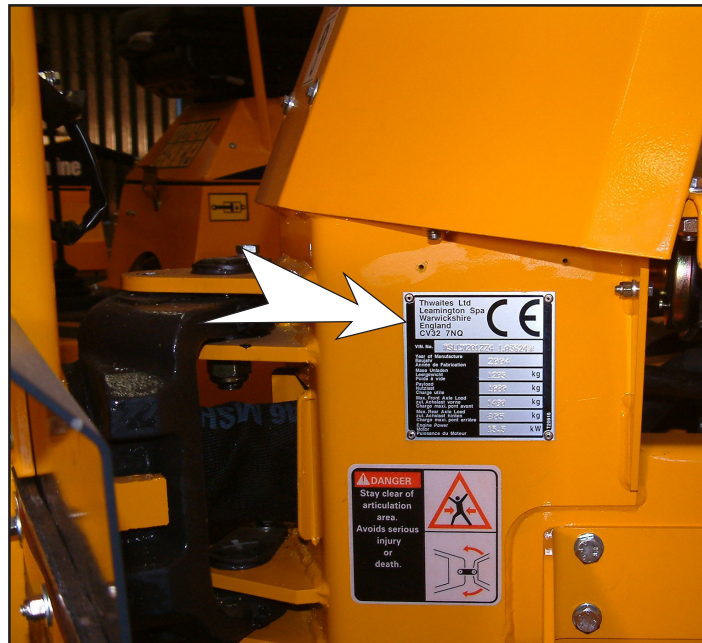
Drive Pump Serial N° (Fig. 4)

**Chassis Serial N° (Fig. 5) Front
Rear**



VEHICLE IDENTIFICATION NUMBER - (VIN)

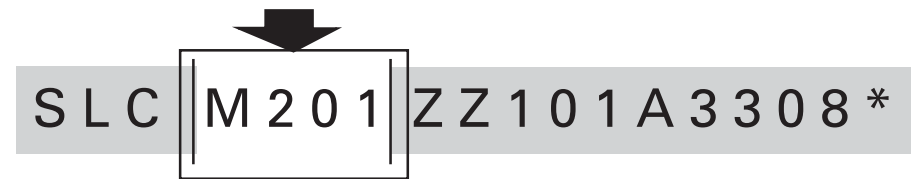
Thwaites have now adopted the international identification system known as VEHICLE IDENTIFICATION NUMBER normally referred to as VIN.



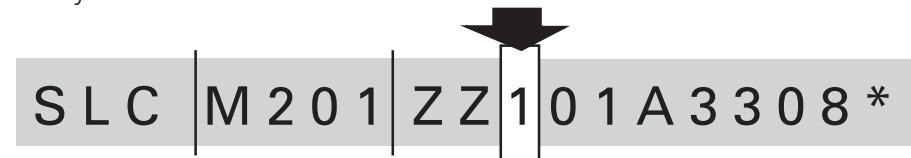
The VIN number incorporates a number of security features and also the machine model and individual serial number.

Important note: *Do not use this parts manual to order replacement spares if the prefix level of your machine is higher than the number quoted at the front of this parts manual.*

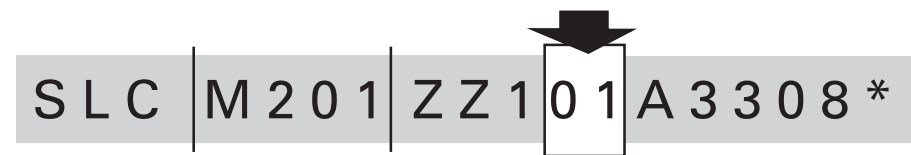
When ordering replacement spares it is important that the model or MACH number is used to identify the correct parts manual.



The year of manufacture:



The Machine Parts Manual issue level denoted by the two digit Prefix Number:

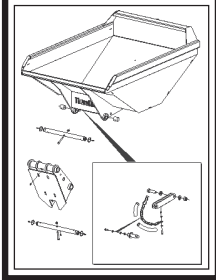


The unique machine serial number:



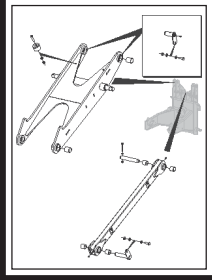
Please ensure that these numbers are quoted in all correspondence with your Thwaites distributor.

SKIP & SUPPORT BASE ASSY.



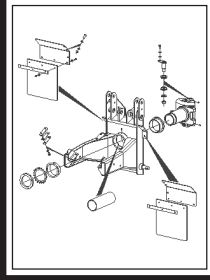
PAGE 1

LIFT ARM & TIE ROD ASSY



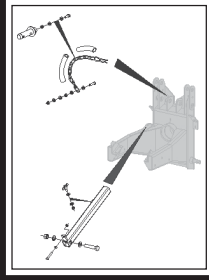
PAGE 2

FRONT CHASSIS



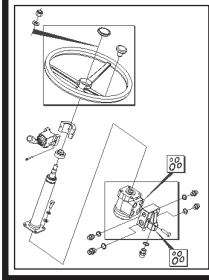
PAGE 3

SKIP PROP & LOCK PIN



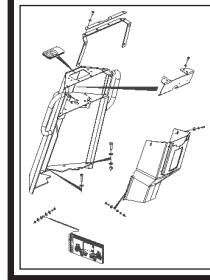
PAGE 4

STEERING ASSEMBLY



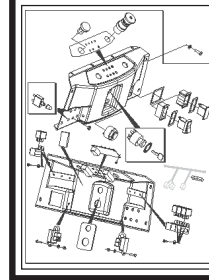
PAGE 5

LEG GUARD ASSEMBLY



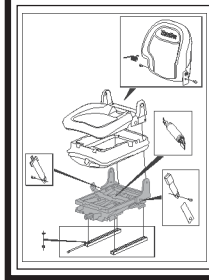
PAGE 6

DASH PANEL ASSEMBLY



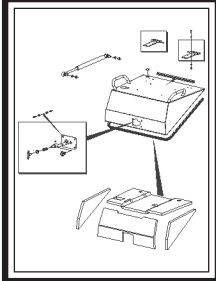
PAGE 7

SEAT ASSEMBLY



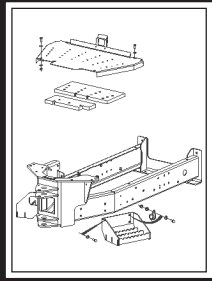
PAGE 8

BONNET ASSEMBLY



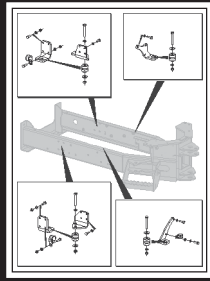
PAGE 9

REAR CHASSIS ASSEMBLY



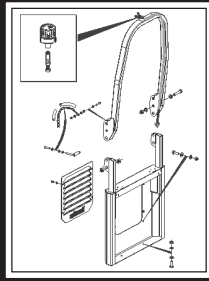
PAGE 10

ENGINE MOUNTINGS



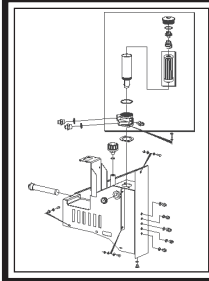
PAGE 11

REAR COVER & ROPS FRAME



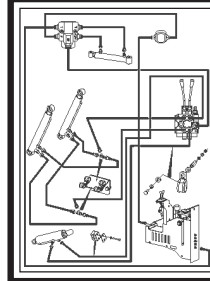
PAGE 12

HYD. TANK ASSEMBLY



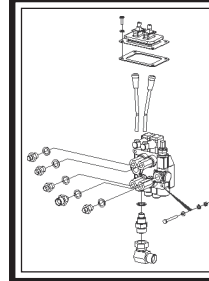
PAGE 13

HYD. CIRCUIT CONTROLS



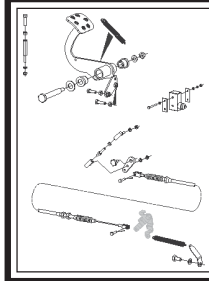
PAGE 14

TIPPING VALVE ASSEMBLY



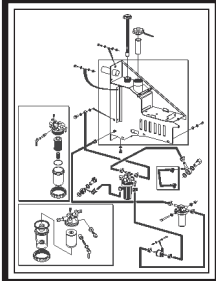
PAGE 15

THROTTLE ASSEMBLY



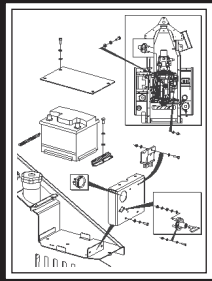
PAGE 16

FUEL TANK ASSEMBLY



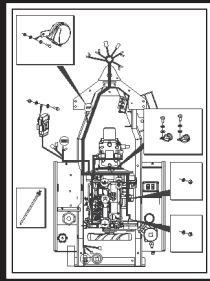
PAGE 17 & 18

BATTERY & FIXINGS



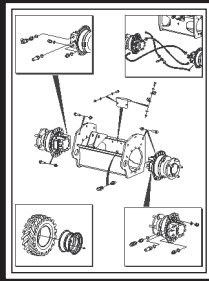
PAGE 19

ENGINE HARNESS



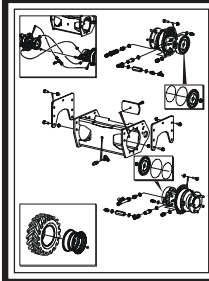
PAGE 20

FRONT MOTOR & WHEEL ASSY.



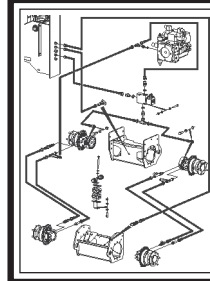
PAGE 21

REAR MOTOR & WHEEL ASSY.



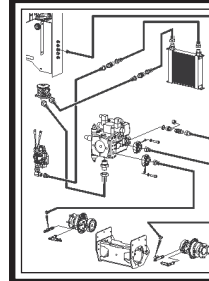
PAGE 22

HYD. CIRCUIT WHEEL MOTORS



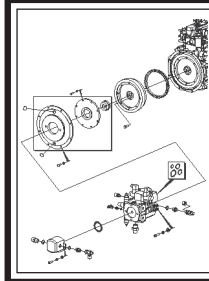
PAGE 23

HYDROSTATIC CIRCUIT



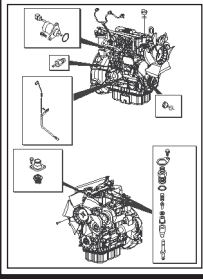
PAGE 24

TRANS. DRIVE & HYD. PUMP



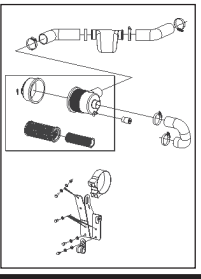
PAGE 25 & 26

**ENGINE
ACCESSORIES**



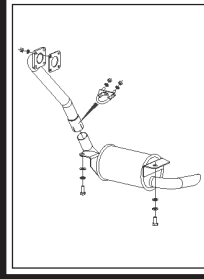
PAGE 27

**AIR CLEANER
ASSEMBLY**



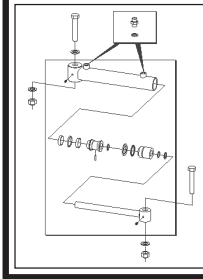
PAGE 28

**EXHAUST
ASSEMBLY**



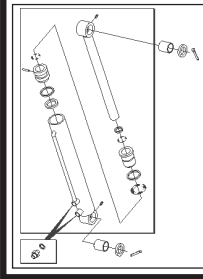
PAGE 29

**STEERING RAM
ASSEMBLY**



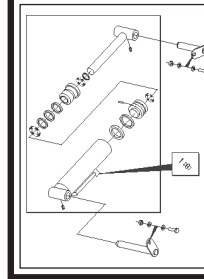
PAGE 30

**ARM LIFT RAM
ASSEMBLY**



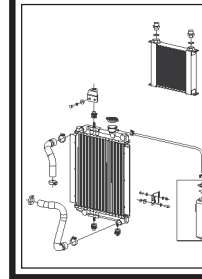
PAGE 31

**TIPPING RAM
ASSEMBLY**



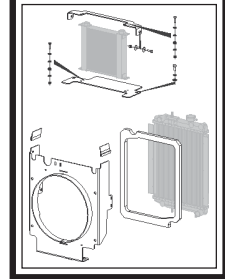
PAGE 32

**RADIATOR &
OIL COOLER**



PAGE 33

**COOLER & RAD.
FIXINGS**



PAGE 34

**OPTIONAL
EXTRAS**



PAGE 35-49

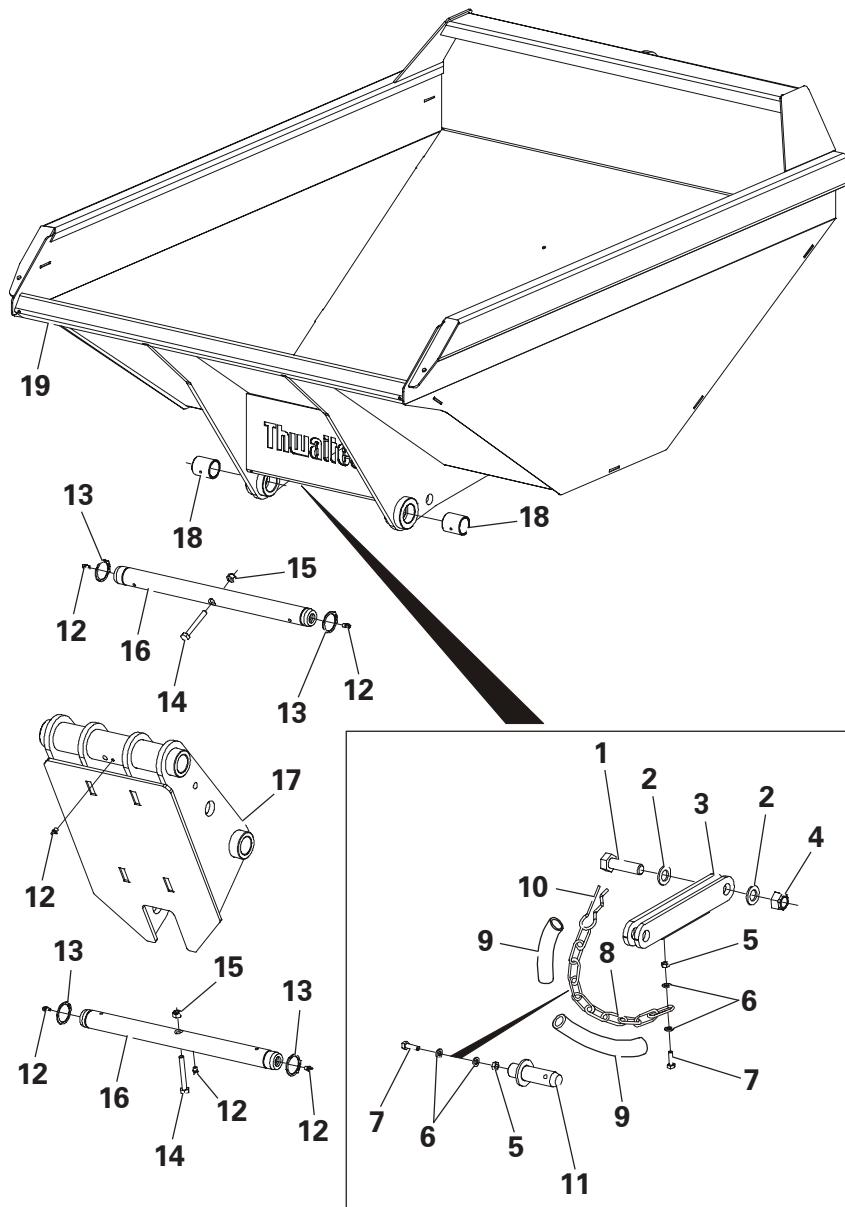
**MODIFICATIONS
& ADDITIONS**



**DENOTES
MODIFICATION**

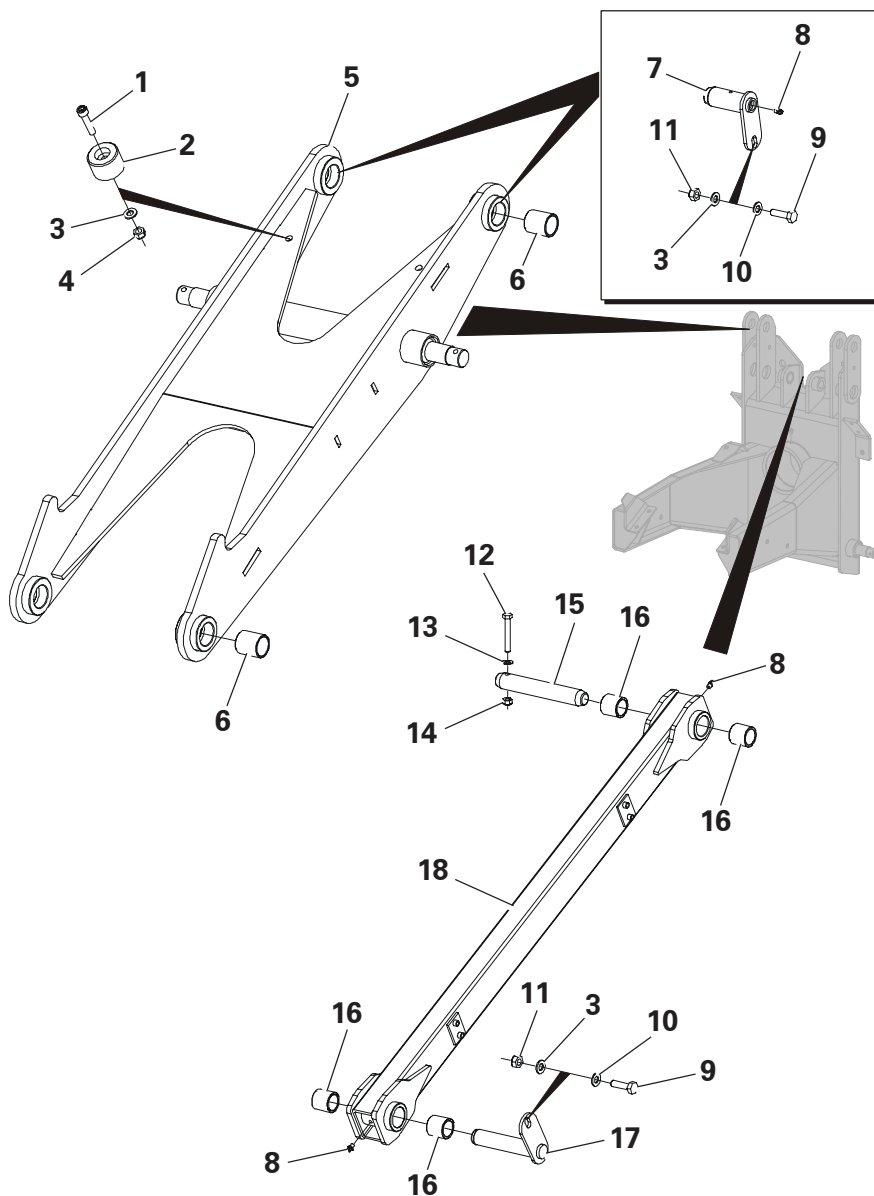
PAGE 50 - 54

SKIP & SUPPORT BASE ASSEMBLY



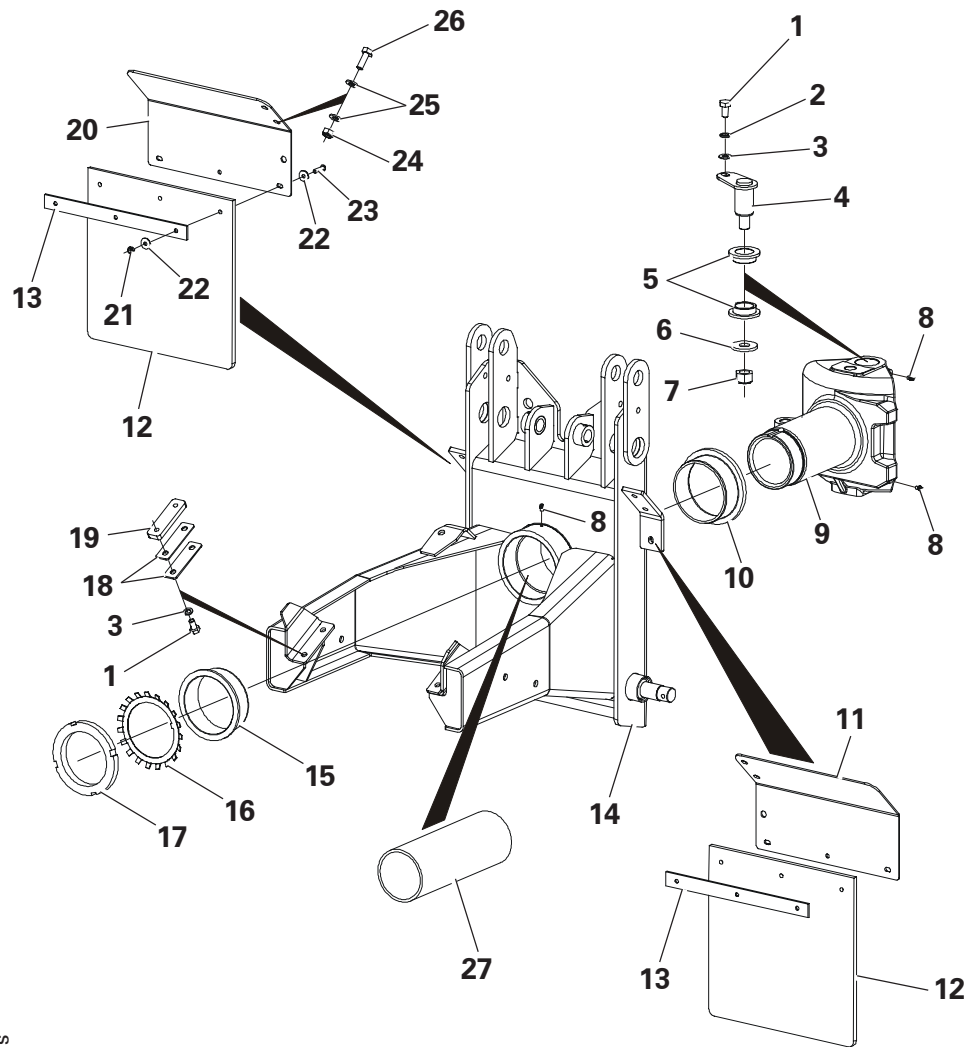
Item	Part No.	Description	Qty	U/M
1	T100310	BOLT	1.0	EA
2	T17306	PLAIN WASHER	2.0	EA
3	T100102	LOCK BAR	1.0	EA
4	T13739	NUT	1.0	EA
5	T10431	NUT	2.0	EA
6	T13911	FLAT WASHER	4.0	EA
7	T16477	BOLT	2.0	EA
8	T18186	PIN RETAINING CHAIN	1.0	EA
9	T17508	CHAIN SLEEVE	2.0	EA
10	T10012	LINCH PIN	1.0	EA
11	T100103	LOCK PIN	1.0	EA
12	T16586	GREASE NIPPLE	6.0	EA
13	T14412	CIRCLIP	4.0	EA
14	T17157	BOLT	2.0	EA
15	T19007	PHILIDAS NUT	2.0	EA
16	T101523	SKIP PIVOT PIN	2.0	EA
17	T101477	SKIP SUPPORT BASE	1.0	EA
18	T101440	ARM BEARING	2.0	EA
19	T101398	SKIP	1.0	EA

LIFT ARM & TIE ROD ASSEMBLY



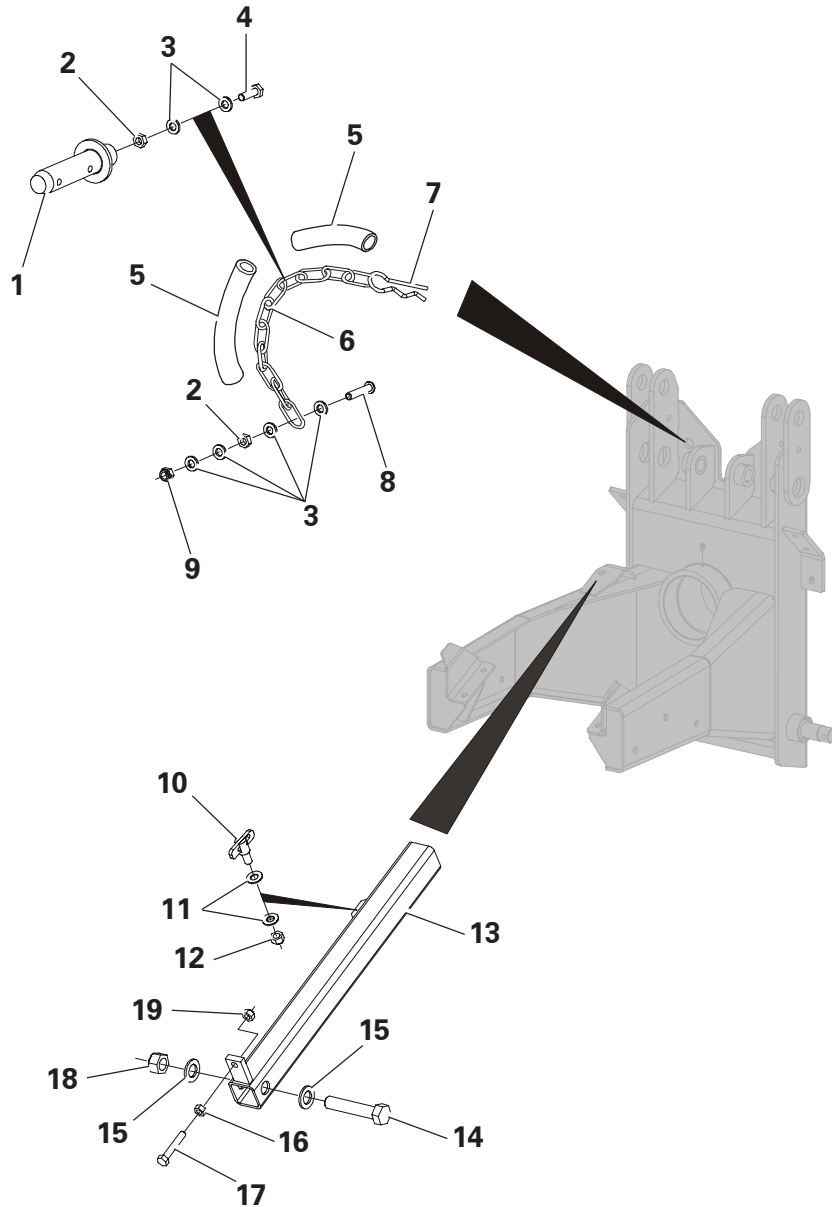
Item	Part No.	Description	Qty	U/M
1	T19704	CAPHEAD SET SCREW	2.0	EA
2	T101733	SKIP STOP SPACER	2.0	EA
3	T15819	PLAIN WASHER	5.0	EA
4	T101724	NYLOC NUT	2.0	EA
5	T101478	LIFT ARM	1.0	EA
6	T101440	ARM BEARING	4.0	EA
7	T101525	ARM PIVOT PIN	2.0	EA
8	T16586	GREASE NIPPLE	4.0	EA
9	T16505	SET BOLT	3.0	EA
10	T10734	H/DUTY WASHER	3.0	EA
11	T13064	NUT	3.0	EA
12	T15326	BOLT	1.0	EA
13	T12973	PLAIN WASHER	1.0	EA
14	T19007	PHILIDAS NUT	1.0	EA
15	T101526	LINK PIVOT PIN	1.0	EA
16	T19455	BUSH	4.0	EA
17	T101524	LINK PIVOT PIN	1.0	EA
18	T101480	TIE ROD	1.0	EA

FRONT CHASSIS



Item	Part No.	Description	Qty	U/M
1	T9157	BOLT	6.0	EA
2	T10734	H/DUTY WASHER	2.0	EA
3	T13362	SPRING WASHER	6.0	EA
4	T101528	CENTRE PIN	2.0	EA
5	T101439	BEARING	4.0	EA
6	T101543	SPACER	2.0	EA
7	T13739	NUT	2.0	EA
8	T16586	GREASE NIPPLE	3.0	EA
9	T101451	CENTRE PIVOT	1.0	EA
10	T101606	PIVOT BEARING REAR	1.0	EA
11	T101731	FRONT MUDGUARD MTG LH	1.0	EA
12	T18059	RUBBER MUDFLAP	2.0	EA
13	T18068	MUDFLAP RETAINER	2.0	EA
14	T101443	FRONT CHASSIS	1.0	EA
15	T101438	PIVOT BEARING	1.0	EA
16	T101457	LOCK WASHER	1.0	EA
17	T101456	BEARING LOCKNUT	1.0	EA
18	T101549	ARM STOP SHIM	4.0	EA
19	T101544	LIFT ARM STOP	2.0	EA
20	T101730	FRONT MUDGUARD MTG RH	1.0	EA
21	T16481	NYLOC NUT	6.0	EA
22	T15830	WASHER	12.0	EA
23	T17086	BUTTON HEAD SET SCREW	6.0	EA
24	T13064	NUT	6.0	EA
25	T15819	PLAIN WASHER	12.0	EA
26	T20618	SET SCREW	6.0	EA
27	T101897	HOSE PROTECTIVE SLEEVING	1.0	EA

SKIP PROP & CHASSIS LOCK PIN

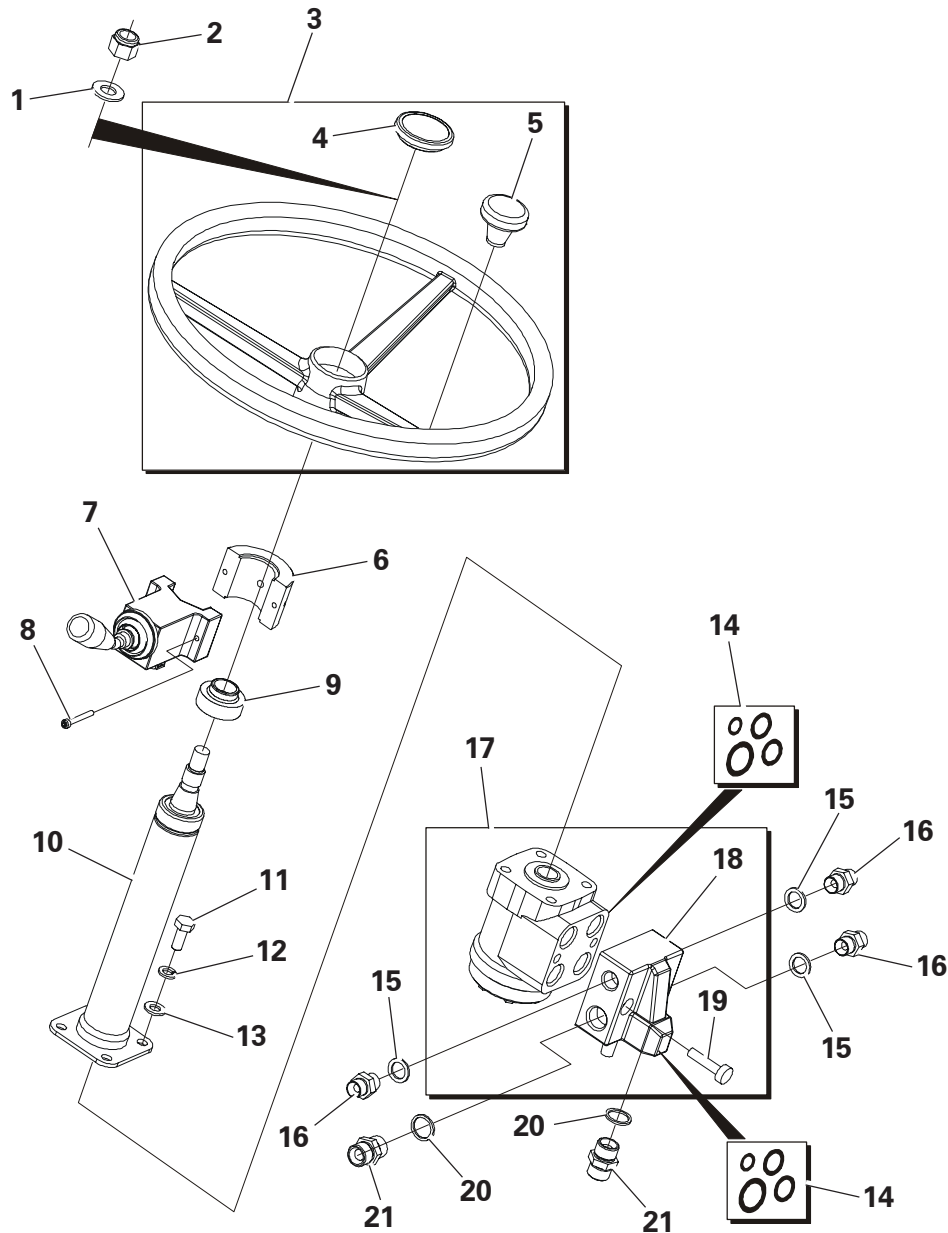


Item	Part No.	Description	Qty	U/M
1	T101546	CHASSIS LOCK PIN	1.0	EA
2	T10431	NUT	2.0	EA
3	T13911	FLAT WASHER	6.0	EA
4	T16477	BOLT	1.0	EA
5	T17508	CHAIN SLEEVE	2.0	EA
6	T18186	PIN RETAINING CHAIN	1.0	EA
7	T10012	LINCH PIN	1.0	EA
8	T100700	DOME HEAD SET SCREW	1.0	EA
9	T16481	NYLOC NUT	1.0	EA
10	T100384	ANTI-LUCE FITTING	1.0	EA
11	T14748	PLAIN WASHER	2.0	EA
12	T14283	PHILIDAS NUT	1.0	EA
13	T100235	SKIP PROP ASSY	1.0	EA
14	T20329	BOLT	1.0	EA
15	T17306	PLAIN WASHER	2.0	EA
16	T12509	NUT	1.0	EA
17	T15392	BOLT	1.0	EA
18	T13739	NUT	1.0	EA
19	T13064	NUT	1.0	EA

Skip Prop & Chassis Pin

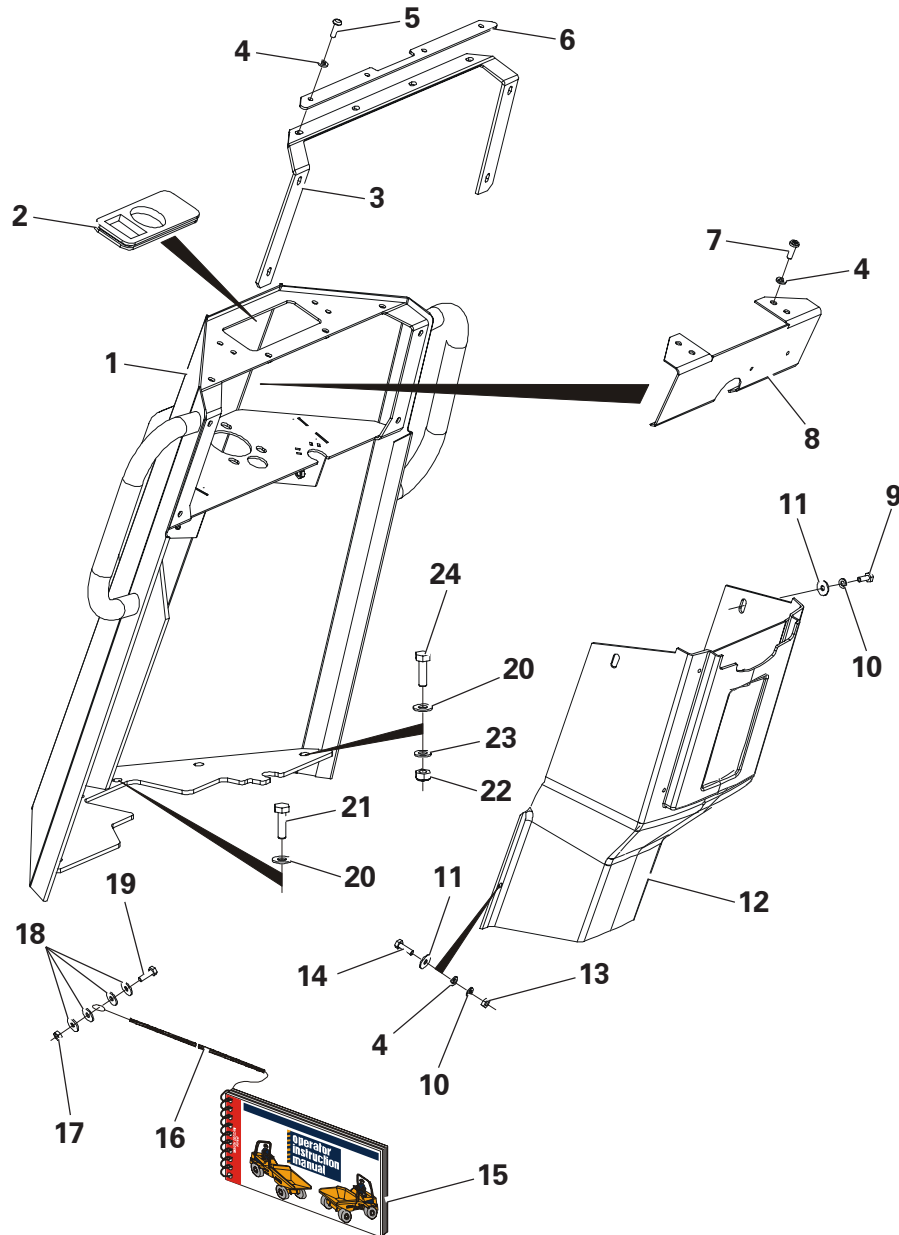
STEERING ASSEMBLY

Item	Part No.	Description	Qty	U/M
1	T6765	WASHER	1.0	EA
2	T100690	NYLOC NUT	1.0	EA
3	T100496	STEERING WHEEL & CAP	1.0	EA
4	T50541	CENTRE CAP	1.0	EA
5	T52520	SPINNER KNOB	1.0	EA
6	T19611	COLUMN SWITCH CLAMP	1.0	EA
7	T100019	COLUMN SWITCH	1.0	EA
8	T19583	CAPHEAD SETSCREW	2.0	EA
9	T52517	END CAP	1.0	EA
10	T100015	STEERING COLUMN	1.0	EA
11	T7466	SET SCREW	4.0	EA
12	T13362	SPRING WASHER	4.0	EA
13	T15819	PLAIN WASHER	4.0	EA
14	T51661	SEAL KIT	2.0	EA
15	T5637	BONDED SEAL	3.0	EA
16	T13606	ADAPTOR	3.0	EA
17	T101772	STEERING UNIT	1.0	EA
18	T18602	PRIORITY VALVE	1.0	EA
19	T52378	SCREWS	2.0	EA
20	T5596	HYDRAULIC SEAL	2.0	EA
21	T13936	ADAPTOR	2.0	EA



Steering Assembly

LEG GUARD ASSEMBLY

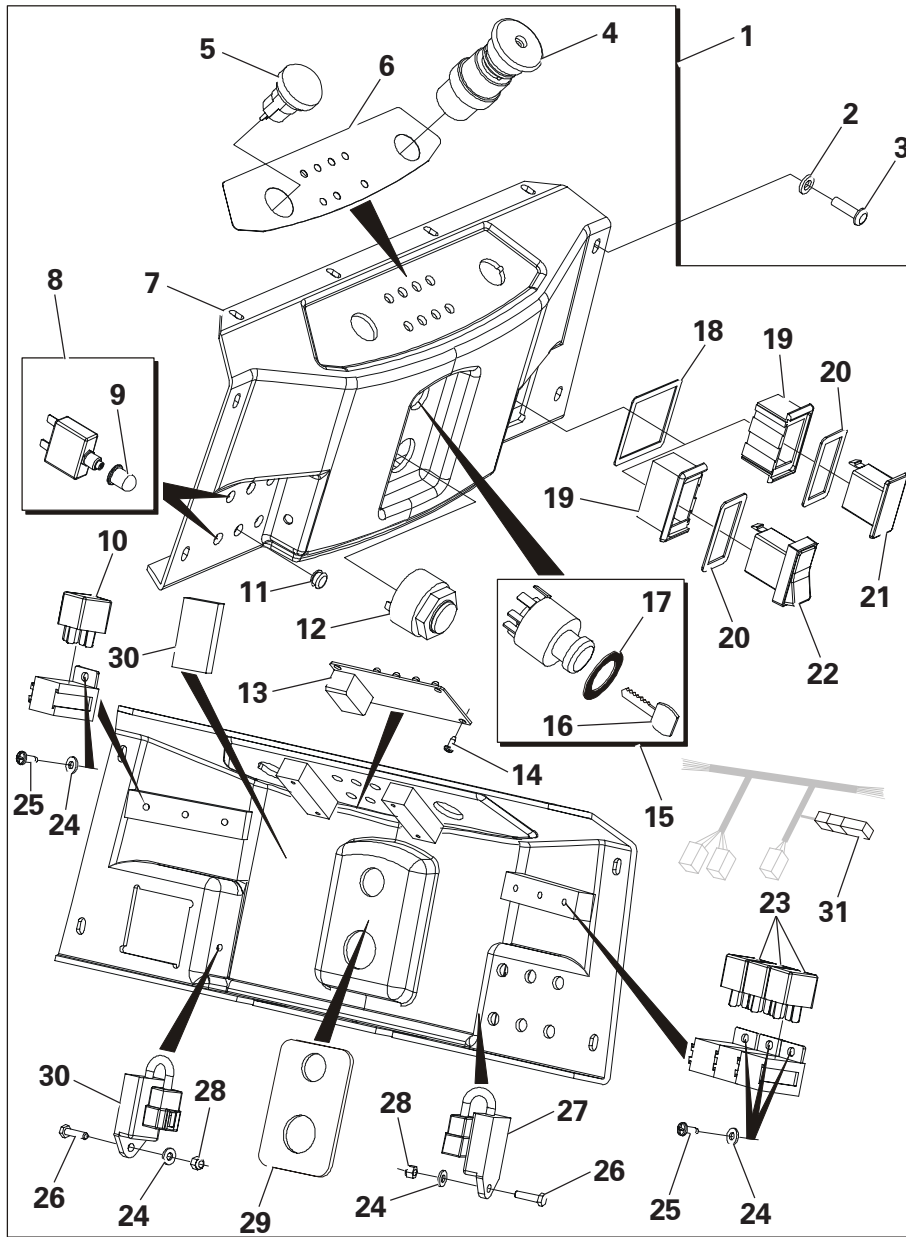


Item	Part No.	Description	Qty	U/M
1	T101515	LEG GUARD ASSEMBLY	1.0	EA
2	T100355	STEERING COLUMN GROMMET	1.0	EA
3	T100320	CONSOLE SEALING GASKET	1.0	EA
4	T13911	FLAT WASHER	10.0	EA
5	T100315	SCREW	4.0	EA
6	T100506	CLAMPING STRIP	1.0	EA
7	T16492	DOME HEAD SCREW	4.0	EA
8	T100540	SPLASH GUARD	1.0	EA
9	T10917	SET BOLT	2.0	EA
10	T14837	SPRING WASHER	4.0	EA
11	T15830	FLAT WASHER	4.0	EA
12	T101545	INNER LEG GUARD	1.0	EA
13	T10431	NUT	2.0	EA
14	T16477	BOLT	2.0	EA
15	T0422	OPERATOR MANUAL	1.0	EA
16	T100699	RETAINING CABLE	1.0	EA
17	T13457	NYLOC NUT	1.0	EA
18	T9345	WASHER	4.0	EA
19	T12694	SET SCREW	1.0	EA
20	T10734	H/DUTY WASHER	6.0	EA
21	T20618	SET SCREW	2.0	EA
22	T13064	NUT	4.0	EA
23	T15819	PLAIN WASHER	4.0	EA
24	T16505	SET BOLT	4.0	EA

Leg Guard Assembly

DASH PANEL ASSEMBLY

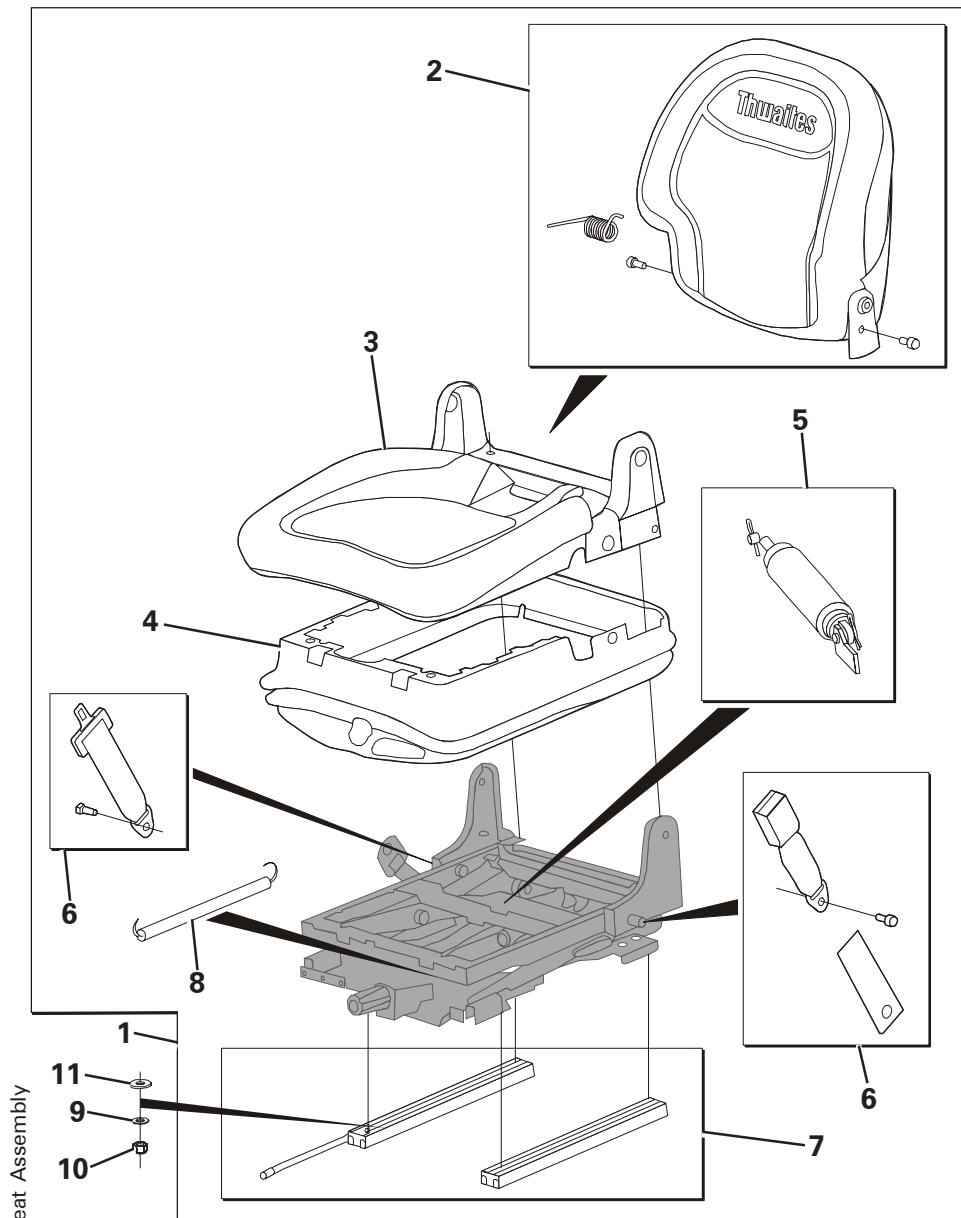
Item	Part No.	Description	Qty	U/M
1*	T102848	DASH PANEL ASSEMBLY also includes ITEM 5 on PAGE 20	1.0	EA
2	T13911	FLAT WASHER	4.0	EA
3	T100315	SCREW	4.0	EA
4	T101558	EMERGENCY STOP	1.0	EA
5	T52302	HORN PUSH	1.0	EA
6	T101468	DASH PANEL DECAL	1.0	EA
7*	T102847	DASH PANEL	1.0	EA
8*	T102845	CIRCUIT BREAKER 18A	2.0	EA
9*	T102846	CIRCUIT BREAKER SPLASHGUARD	2.0	EA
10*	T102456	TIMER	1.0	EA
11	T52447	BLANKING GROMMET	4.0	EA
12	T100902	BUZZER	1.0	EA
13	T101128	LED MODULE	1.0	EA
14	T101135	SCREW	4.0	EA
15	T52307	IGNITION SWITCH	1.0	EA
16	T50479	STARTER SWITCH KEY	1.0	EA
17	T52311	INDEX PLATE	1.0	EA
18	T52448	MOUNTING PANEL GASKET	1.0	EA
19	T52446	SWITCH MOUNTING PANEL	2.0	EA
20	T52304	SWITCH BLANK SEAL	2.0	EA
21	T52303	SWITCH BLANK	1.0	EA
22	T52445	BEACON SWITCH	1.0	EA
23	T101129	RELAY	3.0	EA
24	T16612	PLAIN WASHER	6.0	EA
25	T101134	SCREW	4.0	EA
26	T16611	CH. HEAD SCREW	2.0	EA
27	T52726	STOP SOLENOID - TIMER	1.0	EA
28	T16613	NYLOC NUT	2.0	EA
29	T101778	IGNITION BACKING PLATE	1.0	EA
30	T101791	TIMER	1.0	EA
31	T52724	DIODE	1.0	EA



Dash Panel - mk2

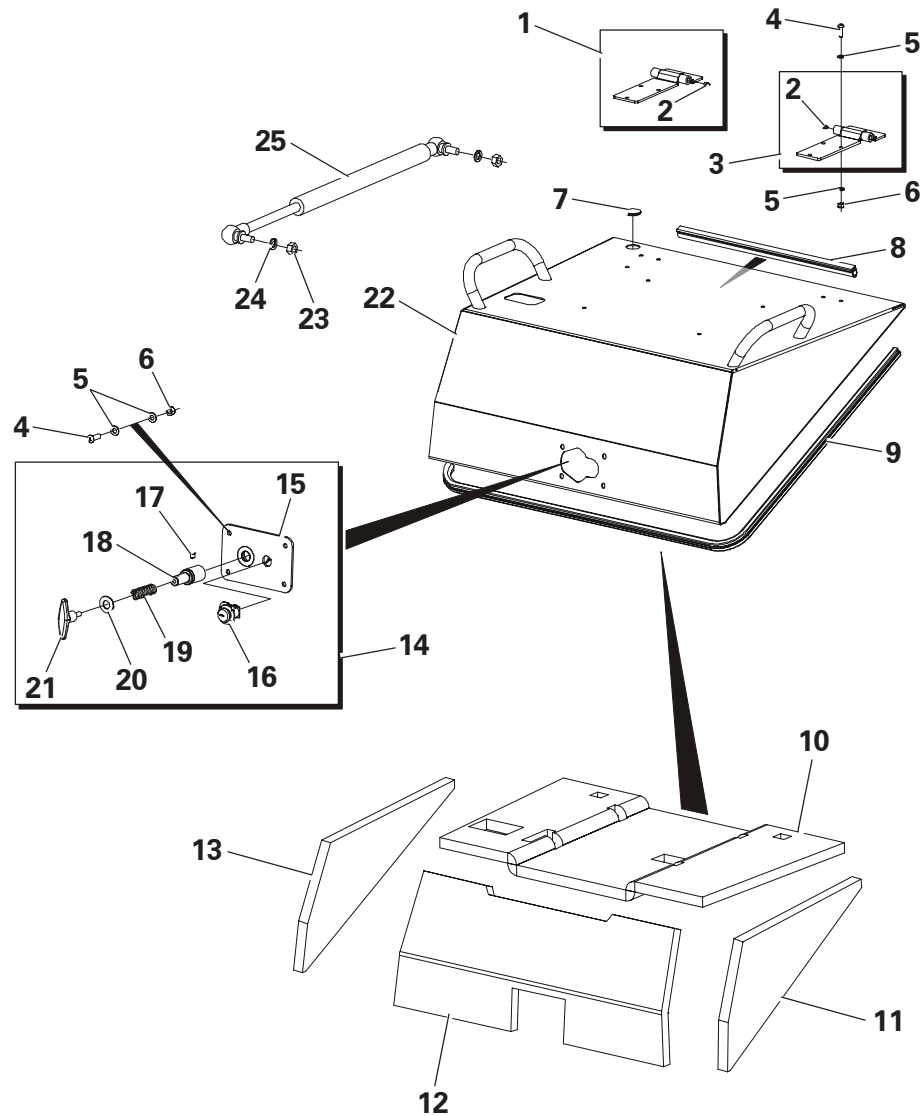
SEAT ASSEMBLY

Item	Part No.	Description	Qty	U/M
1*	T103043	SEAT	1.0	EA
2*	T53830	BACK CUSHION KIT	1.0	EA
3*	T53831	SEAT CUSHION KIT	1.0	EA
4	T53845	BOOT	1.0	EA
5	T53832	DAMPER KIT	1.0	EA
6*	T53887	SEATBELT KIT	1.0	EA
7*	T53829	SLIDE RAIL ADJUSTER KIT	1.0	EA
8	T53886	TRANSFER ROD	1.0	EA
9	T12973	PLAIN WASHER	4.0	EA
10	T13457	NYLOC NUT	4.0	EA
11	T9345	HEAVY DUTY WASHER	4.0	EA



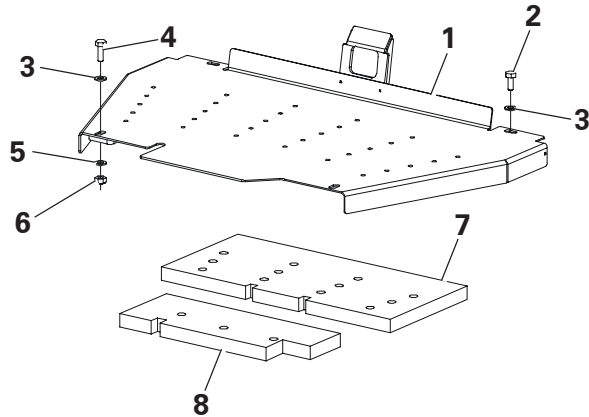
Seat Assembly

BONNET ASSEMBLY

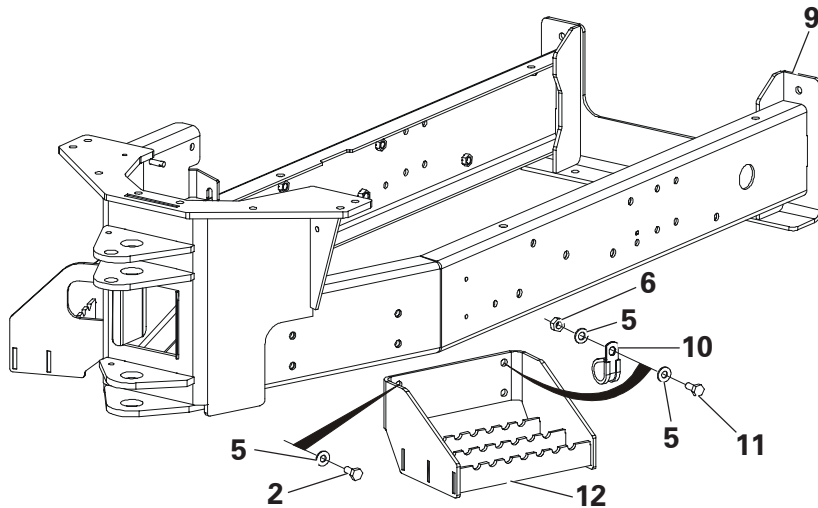


Item	Part No.	Description	Qty	U/M
1	T101780	HINGE RH (CW GREASE NIPPLE)	1.0	EA
2	T16586	GREASE NIPPLE	2.0	EA
3	T101779	HINGE LH (CW GREASE NIPPLE)	1.0	EA
4	T12971	BUTTON HEAD SOCKET SCREW	16.0	EA
5	T12973	PLAIN WASHER	32.0	EA
6	T13457	NYLOC NUT	16.0	EA
7	T16759	GROMMET	1.0	EA
8	T101709	BONNET SEAL (REAR)	1.0	EA
9	T101633	BONNET SEAL (LOWER)	1.0	EA
10	T101832	BONNET INSULATION (TOP)	1.0	EA
11	T101834	BONNET INSULATION (LH)	1.0	EA
12	T101833	BONNET INSULATION (FRONT)	1.0	EA
13	T101835	BONNET INSULATION (RH)	1.0	EA
14	T100211	LOCK ASSY	1.0	EA
15	T100286	WELDED LOCK ASSY	1.0	EA
16	T100265	COMPARTMENT LOCK	1.0	EA
17	T100477	SET SCREW	1.0	EA
18	T100266	LOCK PLUNGER	1.0	EA
19	T100287	SPRING	1.0	EA
20	T10734	H/DUTY WASHER	1.0	EA
21	T100216	RENCOL HANDLE	1.0	EA
22*	T103042	BONNET	1.0	EA
23	T12509	NUT	2.0	EA
24	T13362	SPRING WASHER	2.0	EA
25	T100244	GAS STRUT	1.0	EA

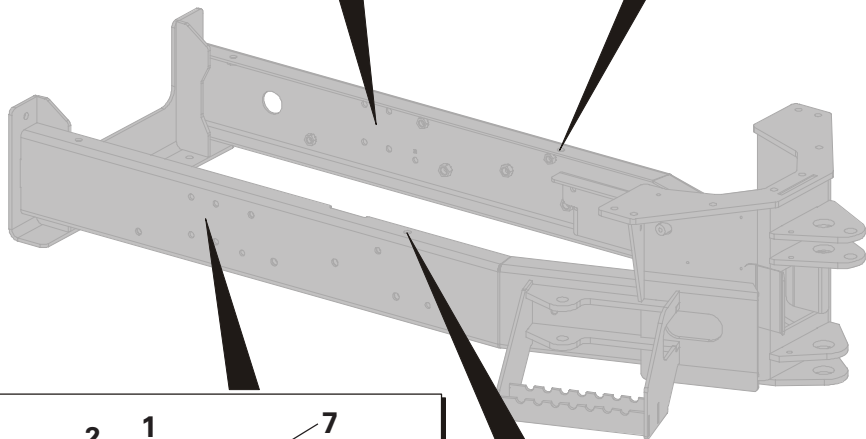
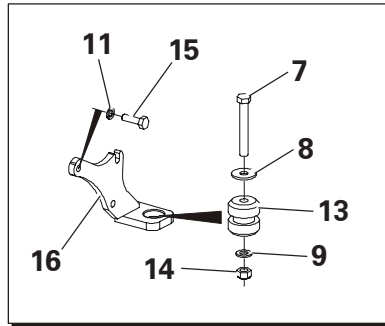
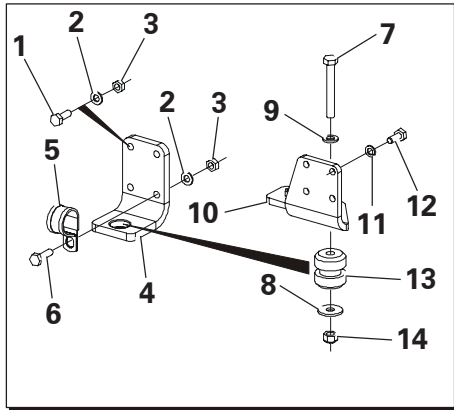
REAR CHASSIS ASSEMBLY



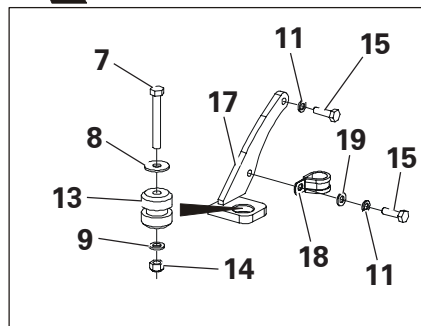
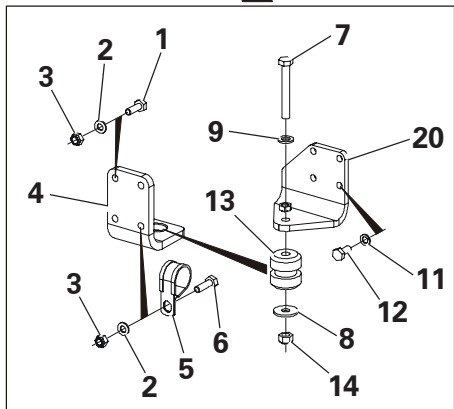
Item	Part No.	Description	Qty	U/M
1	T101492	FLOORPLATE	1.0	EA
2	T7466	SET SCREW	5.0	EA
3	T10734	H/DUTY WASHER	4.0	EA
4	T20618	SET SCREW	2.0	EA
5	T15819	PLAIN WASHER	7.0	EA
6	T13064	NUT	3.0	EA
7	T101864	FLOORPLATE INSULATION	1.0	EA
8	T101865	FLOORPLATE INSULATION (FRONT)	1.0	EA
9	T101473	REAR CHASSIS	1.0	EA
10	T9914	HOSE CLIP	1.0	EA
11	T16505	SET BOLT	1.0	EA
12	T101784	STEP	1.0	EA



ENGINE MOUNTINGS

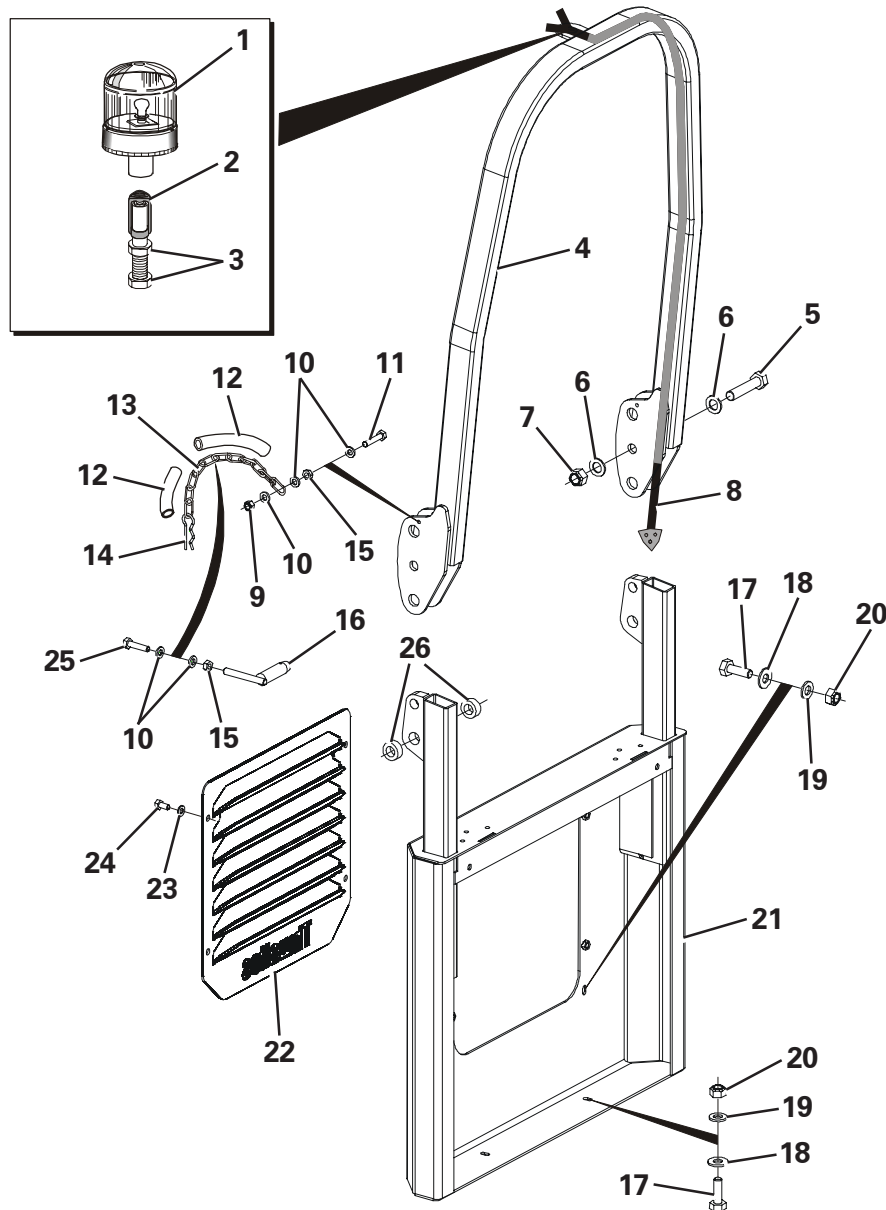


Item	Part No.	Description	Qty	U/M
1	T20618	SET SCREW	6.0	EA
2	T15819	PLAIN WASHER	8.0	EA
3	T13064	NUT	8.0	EA
4	T101474	CHASSIS ENGINE MOUNT	2.0	EA
5	T101343	'P' CLIP	2.0	EA
6	T16505	SET BOLT	2.0	EA
7	T14279	BOLT	4.0	EA
8	T6769	WASHER	4.0	EA
9	T19809	WASHER	4.0	EA
10	T101498	ENGINE MTG LH REAR	1.0	EA
11	T13362	SPRING WASHER	12.0	EA
12	T7466	SET SCREW	8.0	EA
13*	T102405	ENGINE MOUNTING	4.0	EA
14	T14283	PHILIDAS NUT	4.0	EA
15	T16505	SET BOLT	4.0	EA
16	T101500	ENGINE MTG LH FRONT	1.0	EA
17	T101501	ENGINE MTG RH FRONT	1.0	EA
18	T9914	HOSE CLIP	1.0	EA
19	T10734	H/DUTY WASHER	1.0	EA
20	T101499	ENGINE MTG RH REAR	1.0	EA



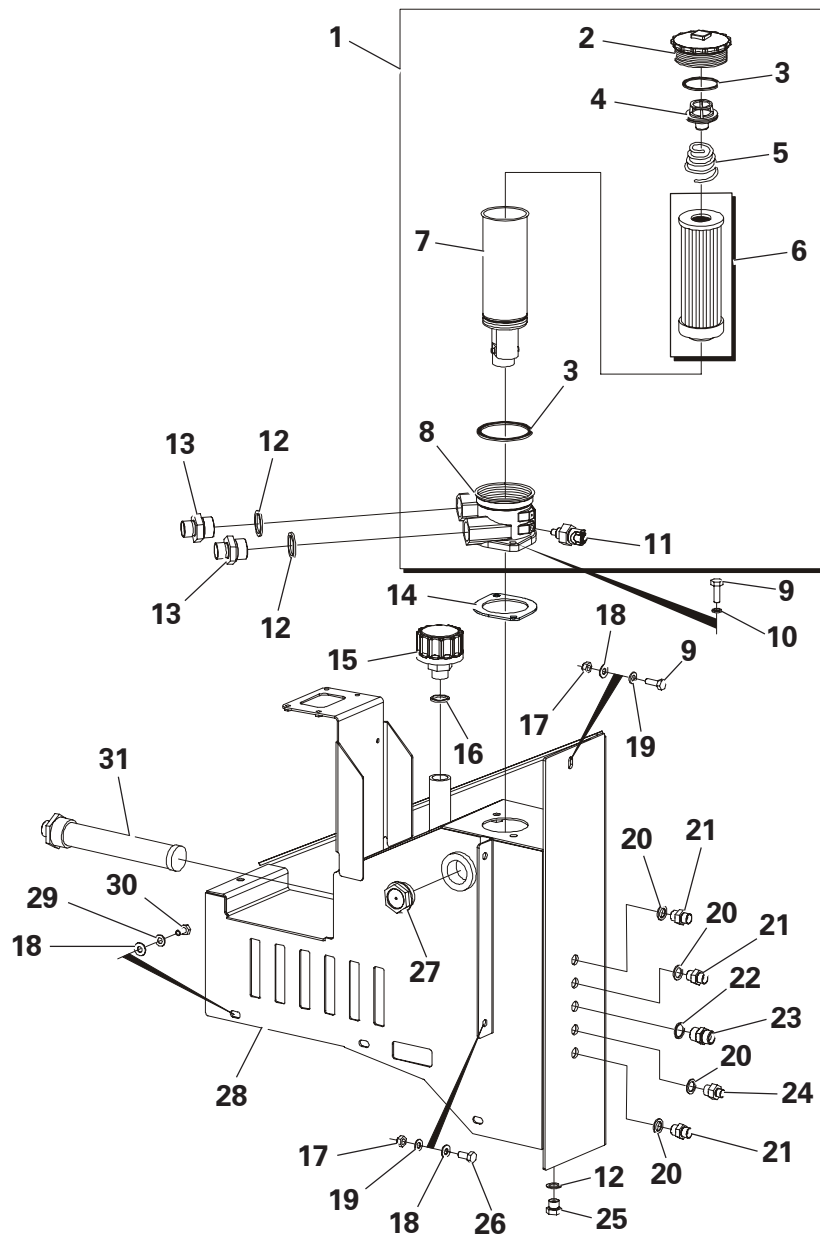
Engine Mountings

REAR COVER ASSEMBLY



Item	Part No.	Description	Qty	U/M
1	T100133	ROTATING BEACON	1.0	EA
2	T100134	BEACON STEM	1.0	EA
3	T101154	LOCKNUT	2.0	EA
4	T101479	HINGED ROPS FRAME	1.0	EA
5	T101705	ROPS HINGE BOLT	2.0	EA
6	T17306	PLAIN WASHER	4.0	EA
7	T13739	NUT	2.0	EA
8	T101855	ROPS HARNESS	1.0	EA
9	T16481	NYLOC NUT	2.0	EA
10	T13911	FLAT WASHER	10.0	EA
11	T100700	DOME HEAD SET SCREW	2.0	EA
12	T17508	CHAIN SLEEVE	4.0	EA
13	T18186	PIN RETAINING CHAIN	2.0	EA
14	T19422	RETAINING PIN	2.0	EA
15	T10431	NUT	4.0	EA
16	T101582	ROPS LOCKING PIN	2.0	EA
17	T20618	SET SCREW	4.0	EA
18	T10734	H/DUTY WASHER	4.0	EA
19	T15819	PLAIN WASHER	4.0	EA
20	T13064	NUT	4.0	EA
21	T101476	REAR COVER	1.0	EA
22*	T102512	REAR PANEL	1.0	EA
23	T15819	PLAIN WASHER	4.0	EA
24	T7466	SET SCREW	4.0	EA
25	T16476	SET BOLT	2.0	EA
26	T101983	SPACER	4.0	EA

HYDRAULIC TANK ASSEMBLY

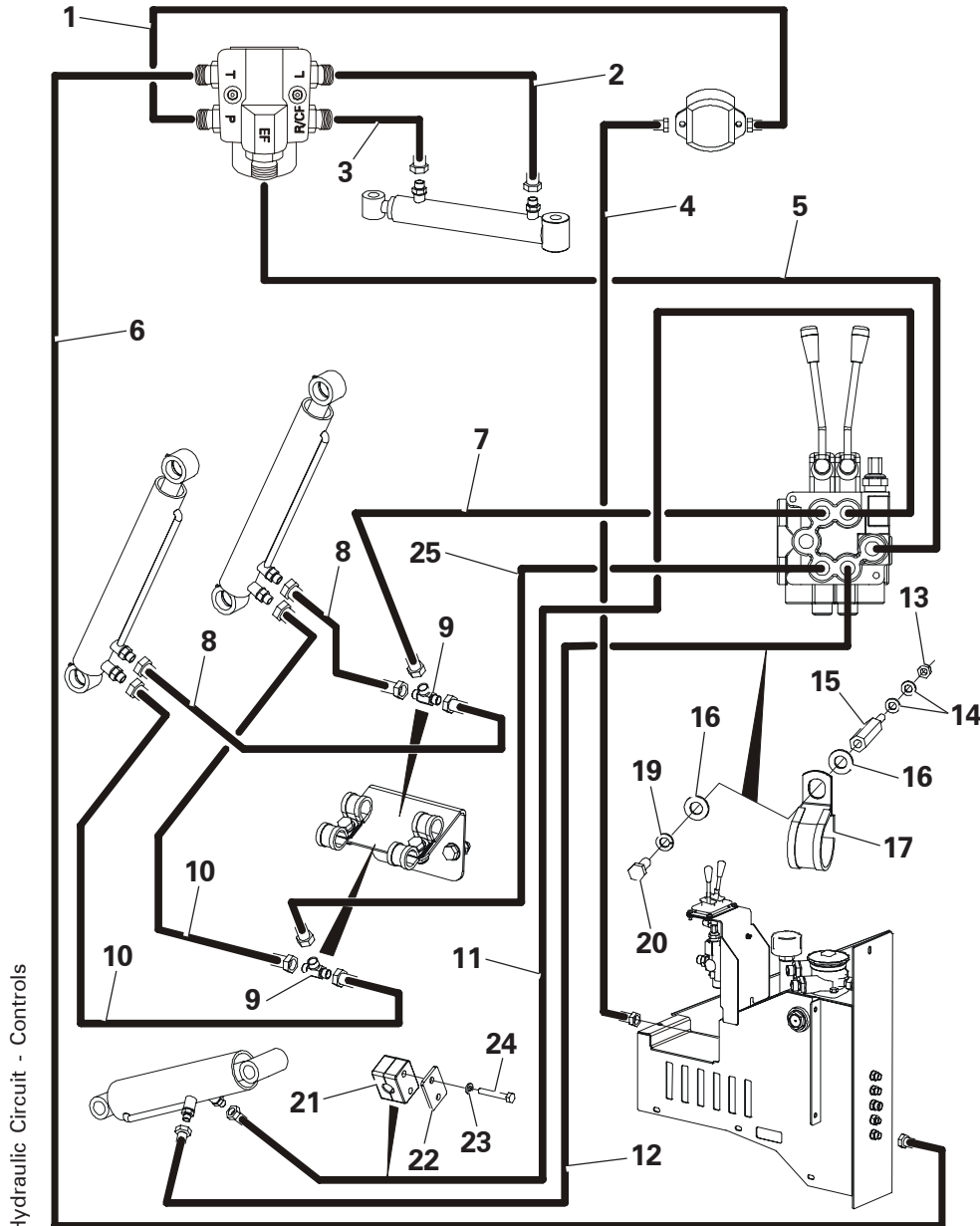


Item	Part No.	Description	Qty	U/M
1	T52497	RETURN FILTER	1.0	EA
2	T52948	COVER	1.0	EA
3	T52954	SEAL KIT	1.0	EA
4	T52949	SEPERATION PLATE	1.0	EA
5	T52950	SPRING	1.0	EA
6	T52692	HYDRAULIC FILTER	1.0	EA
7	T52951	BOWL	1.0	EA
8	T52952	HEAD	1.0	EA
9	T20618	SET SCREW	3.0	EA
10	T100798	DOWTY WASHER	2.0	EA
11	T52953	INDICATOR	1.0	EA
12	T6169	WASHER	2.0	EA
13	T101638	ADAPTOR	2.0	EA
14	T101924	FILTER SEALING GASKET	1.0	EA
15	T52496	FILLER / BREATHER	1.0	EA
16	T5594	HYD SEAL	1.0	EA
17	T13064	NUT	3.0	EA
18	T10734	H/DUTY WASHER	6.0	EA
19	T15819	PLAIN WASHER	3.0	EA
20	T5637	BONDED SEAL	5.0	EA
21	T13606	ADAPTOR	3.0	EA
22	T5596	HYDRAULIC SEAL	1.0	EA
23	T13936	ADAPTOR	1.0	EA
24	T13888	ADAPTOR	1.0	EA
25	T13907	BLANKING PLUG	1.0	EA
26	T7466	SET SCREW	2.0	EA
27	T101085	LEVEL INDICATOR	1.0	EA
28	T101489	HYDRAULIC TANK	1.0	EA
29	T101878	SCHNORR WASHER	3.0	EA
30	T9157	BOLT	3.0	EA
31	T101240	SUCTION STRAINER	1.0	EA

Hydraulic Tank

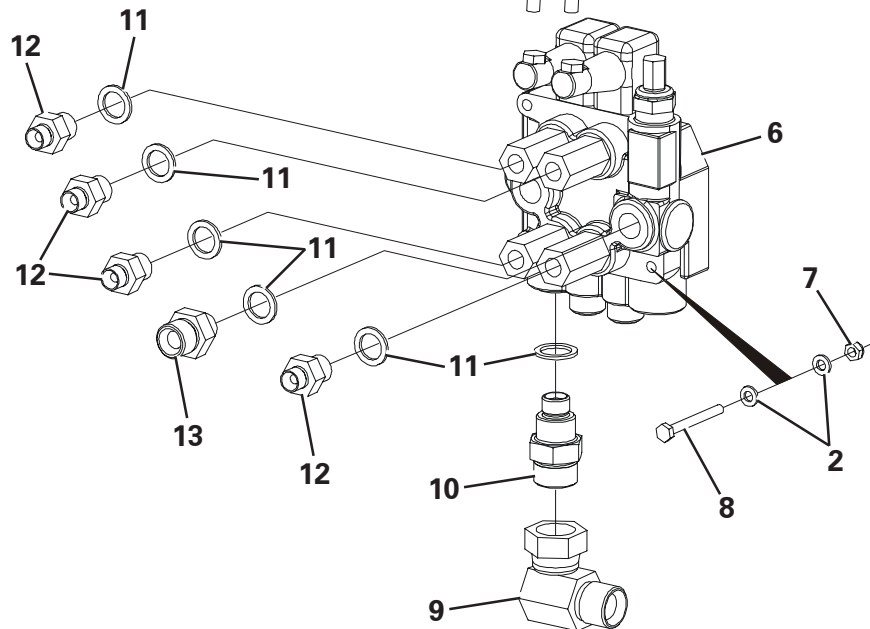
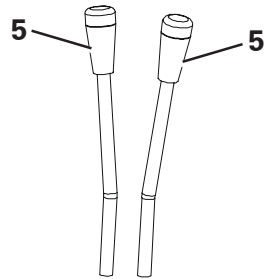
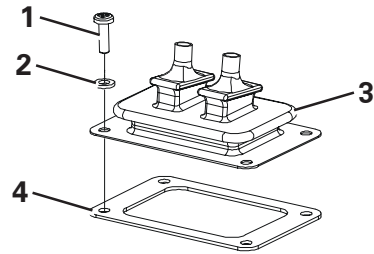
HYDRAULIC CIRCUIT - CONTROLS

Item	Part No.	Description	Qty	U/M
1	T101686	HYD HOSE	1.0	EA
2	T101688	HYD HOSE	1.0	EA
3	T101689	HYD HOSE	1.0	EA
4	T101678	HYD HOSE	1.0	EA
5	T101690	HYD HOSE	1.0	EA
6	T101687	HYD HOSE	1.0	EA
7	T101693	HYD HOSE	1.0	EA
8	T101696	HYD HOSE	2.0	EA
9	T15970	ADAPTOR	2.0	EA
10	T101695	HYD HOSE	2.0	EA
11	T101691	HYD HOSE	1.0	EA
12	T101692	HYD HOSE	1.0	EA
13	T16481	NYLOC NUT	1.0	EA
14*	T13911	FLAT WASHER	2.0	EA
15	T101032	THROTTLE STOP	1.0	EA
16*	T9345	HEAVY DUTY WASHER	2.0	EA
17	T101343	'P' CLIP	1.0	EA
18*	DELETED			
19	T12972	SPRING WASHER	1.0	EA
20	T12694	SET SCREW	1.0	EA
21	T101903	STAUFF CLAMP	4.0	EA
22	T101902	COVER PLATE	4.0	EA
23	T14837	SPRING WASHER	8.0	EA
24*	T100895	BOLT	8.0	EA
25	T101694	HYD HOSE	1.0	EA



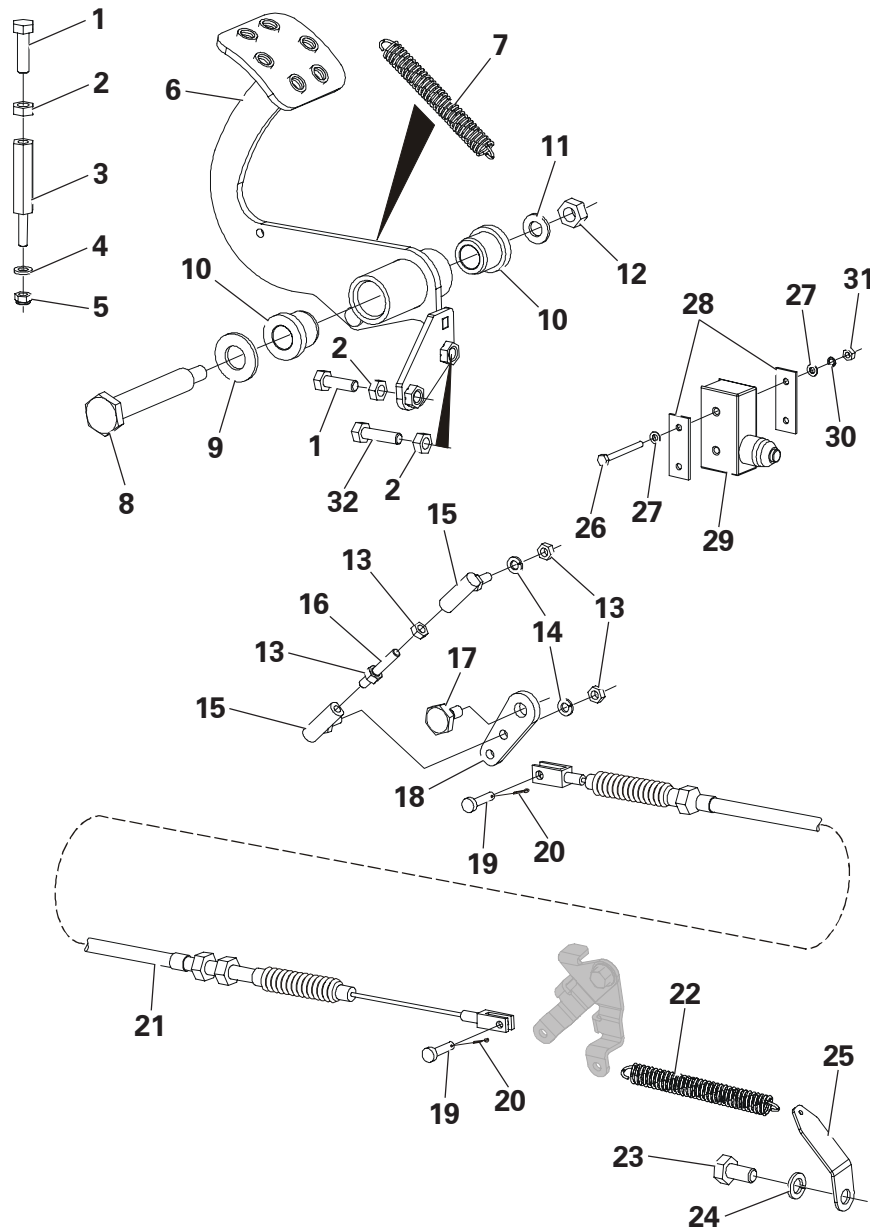
Hydraulic Circuit - Controls

TIPPING VALVE ASSEMBLY



Item	Part No.	Description	Qty	U/M
1	T16492	SCREW	4.0	EA
2	T13911	FLAT WASHER	8.0	EA
3	T101726	VALVE LEVER GAITER	1.0	EA
4	T101727	GAITER RETAINER	1.0	EA
5	T101732	VALVE LEVER	2.0	EA
6	T101435	TIPPING VALVE	1.0	EA
7	T16481	NYLOC NUT	2.0	EA
8	T100388	BOLT	2.0	EA
9	T17396	ELBOW	1.0	EA
10	T101324	ADAPTOR	1.0	EA
11	T5637	BONDED SEAL	6.0	EA
12	T13888	ADAPTOR	4.0	EA
13	T11165	ADAPTOR	1.0	EA

THROTTLE ASSEMBLY

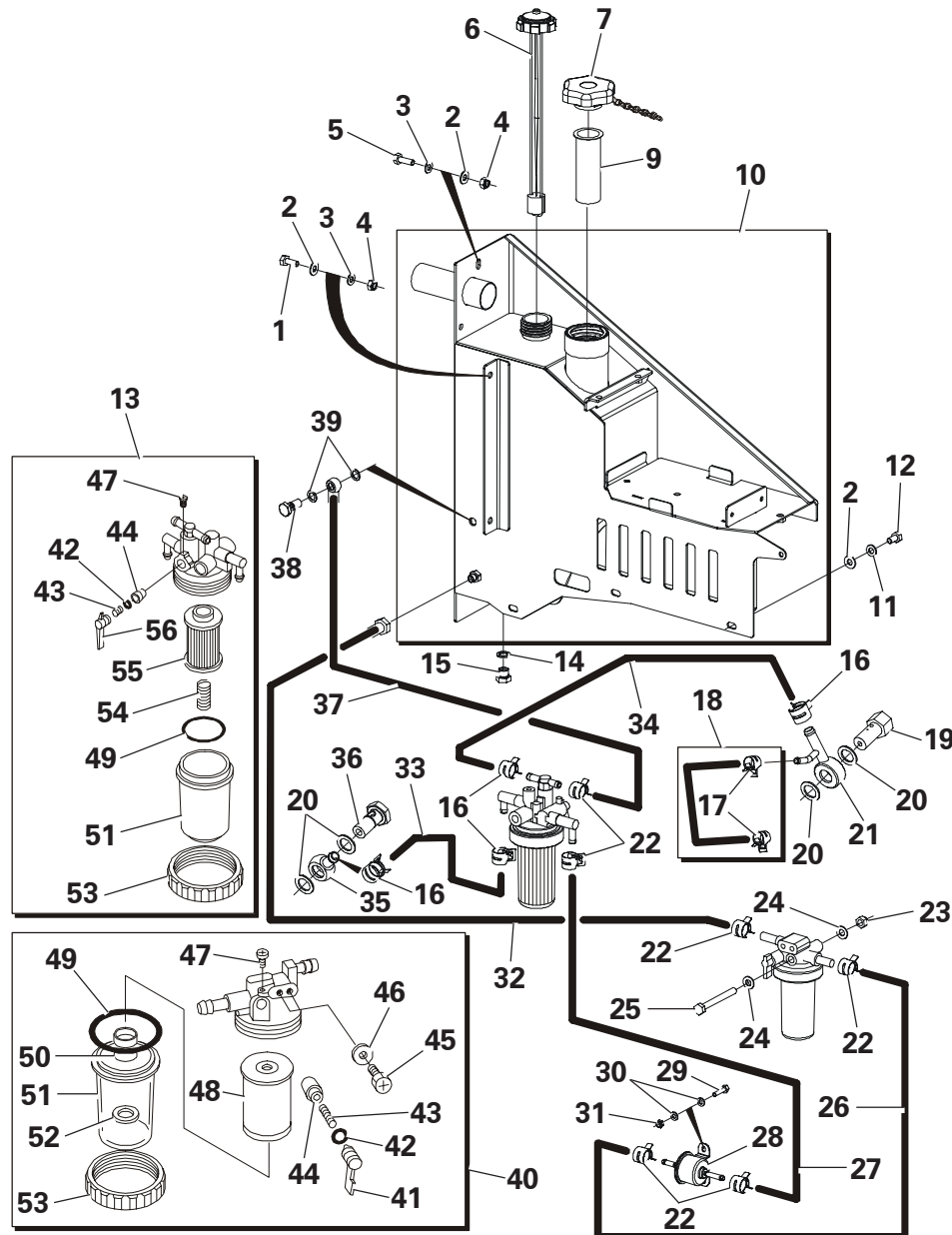


Item	Part No.	Description	Qty	U/M
1	T14152	BOLT	2.0	EA
2*	T9775	NUT	3.0	EA
3	T101032	THROTTLE STOP	1.0	EA
4	T13911	FLAT WASHER	1.0	EA
5	T16481	NYLOC NUT	1.0	EA
6*	T102068	THROTTLE PEDAL	1.0	EA
7	T100318	SPRING	1.0	EA
8	T101775	THROTTLE PEDAL PIVOT SHAFT	1.0	EA
9	T100867	PLAIN WASHER	1.0	EA
10	T101776	THROTTLE PEDAL BUSH	2.0	EA
11	T15819	PLAIN WASHER	1.0	EA
12	T13064	NUT	1.0	EA
13	T10431	NUT	4.0	EA
14	T14837	SPRING WASHER	2.0	EA
15	T16192	AMEL END	2.0	EA
16	T101716	THROTTLE ADJUSTMENT SCREW	1.0	EA
17	T101535	THROTTLE LINK PIVOT	1.0	EA
18	T101534	THROTTLE LINK	1.0	EA
19	T4512	CLEVIS PIN	2.0	EA
20	T6744	SPLIT PIN	2.0	EA
21	T101597	THROTTLE CABLE	1.0	EA
22	T18452	SPRING	1.0	EA
23	T9157	BOLT	1.0	EA
24	T13362	SPRING WASHER	1.0	EA
25	T101600	THROTTLE SPRING BRACKET	1.0	EA
26*	T13321	SET SCREW	2.0	EA
27*	T11440	WASHER	4.0	EA
28*	T13289	MICRO SWITCH BACKING PLATE	1.0	EA
29*	T100912	MICRO SWITCH	2.0	EA
30*	T11439	SPRING WASHER	2.0	EA
31*	T11447	NUT	2.0	EA
32*	T14277	BOLT	1.0	EA

Throttle Pedal mk2

FUEL TANK ASSEMBLY

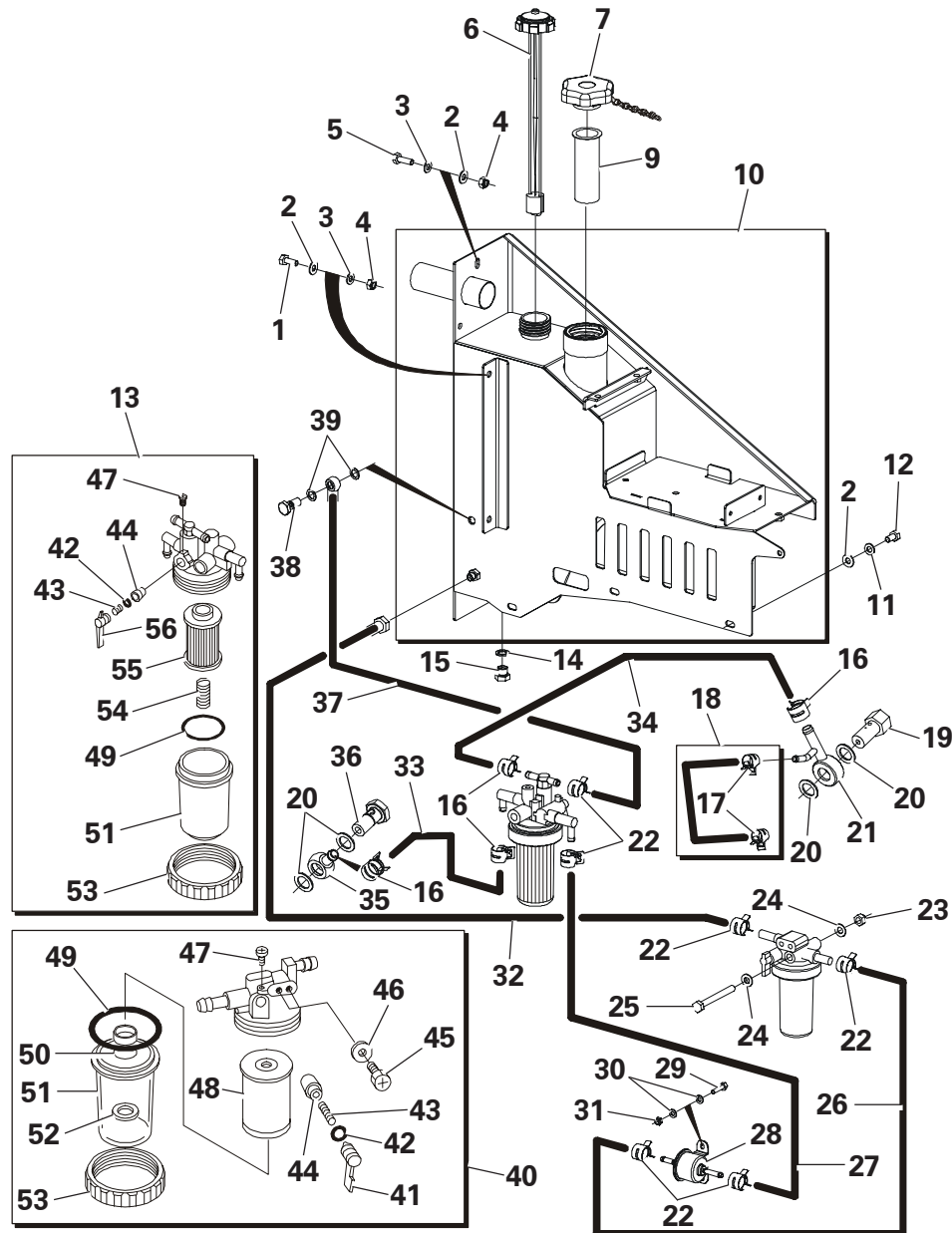
Item	Part No.	Description	Qty	U/M
1	T7466	SET SCREW	2.0	EA
2	T10734	H/DUTY WASHER	6.0	EA
3	T15819	PLAIN WASHER	3.0	EA
4	T13064	NUT	3.0	EA
5	T20618	SET SCREW	1.0	EA
6	T52498	LEVEL GAUGE	1.0	EA
7	T52283	FUEL FILLER CAP	1.0	EA
8*	DELETED			
9	T52284	STRAINER	1.0	EA
10	T101488	FUEL TANK	1.0	EA
11	T101878	SCHNORR WASHER	3.0	EA
12	T9157	BOLT	3.0	EA
13	T53225	FUEL STRAINER ASSEMBLY	1.0	EA
14	T102102	COPPER WASHER	1.0	EA
15	T13907	BLANKING PLUG	1.0	EA
16	T52882	CLAMP	4.0	EA
17	T52877	CLAMP	2.0	EA
18	T53224	FUEL RETURN PIPE	1.0	EA
19	T52880	VALVE ASSY	1.0	EA
20	T52879	SEAL WASHER	4.0	EA
21	T52878	JOINT	1.0	EA
22	T100421	SPRING BAND CLAMP	6.0	EA
23	T13457	NYLOC NUT	1.0	EA
24	T12973	PLAIN WASHER	2.0	EA
25	T16666	BOLT	1.0	EA
26	T101703	FUEL HOSE	1.0	EA
27	T101881	FUEL HOSE	1.0	EA
28	T53230	PUMP ASSEMBLY	1.0	EA
29	T16477	BOLT	2.0	EA



Fuel Tank

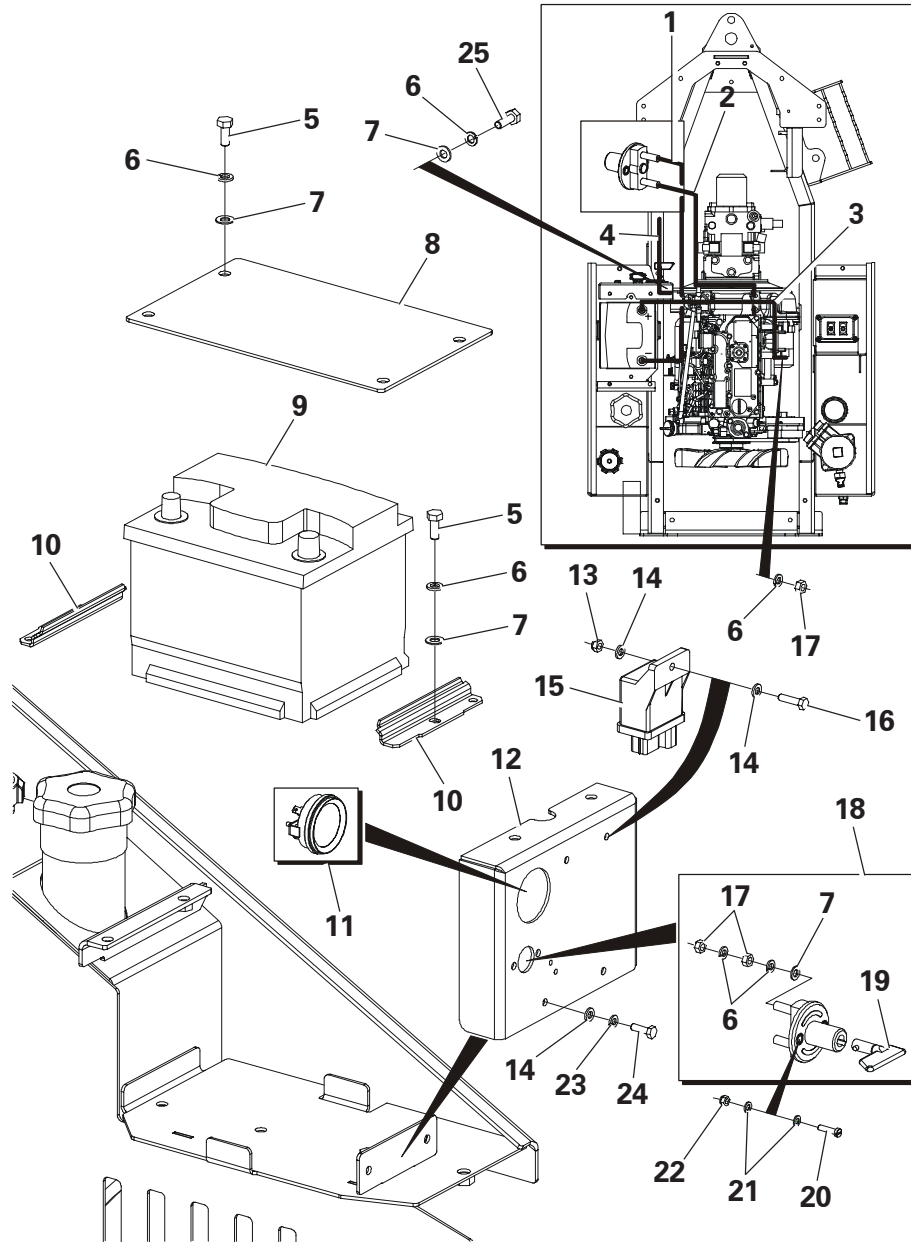
FUEL TANK ASSEMBLY

Item	Part No.	Description	Qty	U/M
30	T13911	FLAT WASHER	4.0	EA
31	T16481	NYLOC NUT	2.0	EA
32	T101702	FUEL HOSE	1.0	EA
33	T53228	FUEL OIL PIPE	1.0	EA
34	T52881	PIPE	1.0	EA
35	T52906	JOINT	1.0	EA
36	T52883	BOLT	1.0	EA
37	T101882	FUEL HOSE	1.0	EA
38	T53220	BANJO BOLT	1.0	EA
39	T102103	COPPER WASHER	2.0	EA
40	T52896	WATER SEPERATOR ASSY	1.0	EA
41	T52890	HANDLE	1.0	EA
42	T52829	O RING	2.0	EA
43	T52888	SPRING	2.0	EA
44	T52887	VALVE	2.0	EA
45	T52886	PLUG	2.0	EA
46	T52885	NYLON GASKET	2.0	EA
47	T52884	SCREW	2.0	EA
48	T52691	SCREEN FILTER	1.0	EA
49	T52892	O RING	2.0	EA
50	T53229	SPRING	1.0	EA
51	T52893	STRAINER CUP	2.0	EA
52	T52894	FLOAT	1.0	EA
53	T52895	RING	2.0	EA
54	T53227	SPRING	1.0	EA
55	T53215	FUEL FILTER	1.0	EA
56	T53226	LEVER	1.0	EA



Fuel Tank

BATTERY AND FIXINGS

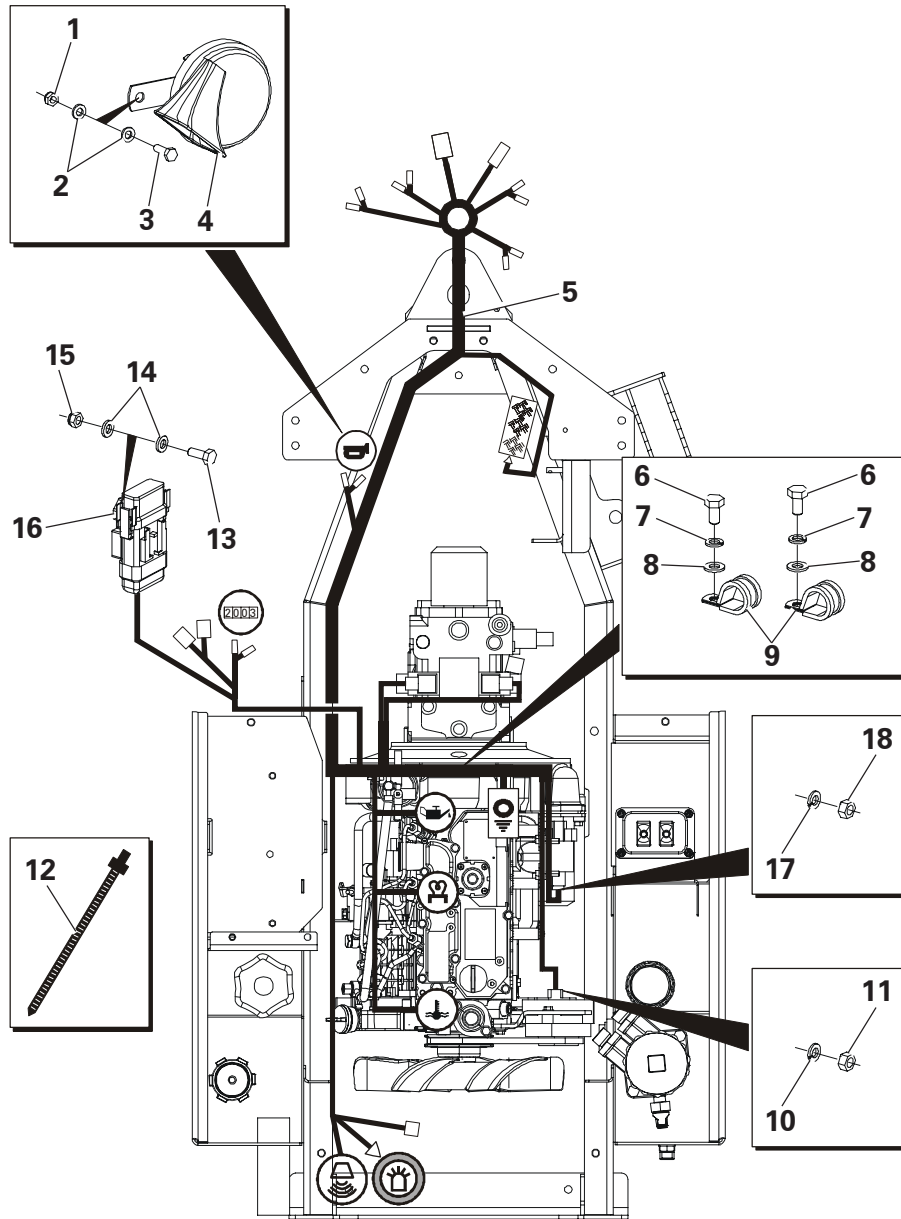


Item	Part No.	Description	Qty	U/M
1	T101584	BATTERY NEGATIVE CABLE	1.0	EA
2	T101585	ISOLATOR CABLE	1.0	EA
3	T101583	BATTERY POSITIVE CABLE	1.0	EA
4	T101586	CHASSIS EARTH CABLE	1.0	EA
5	T7465	SET SCREW	6.0	EA
6	T12972	SPRING WASHER	12.0	EA
7	T12973	PLAIN WASHER	9.0	EA
8	T101907	BATTERY COVER	1.0	EA
9	T101446	BATTERY	1.0	EA
10*	T102877	BATTERY CLAMP	2.0	EA
11	T16538	HOURLY METER	1.0	EA
12	T101564	HOURLY METER MOUNTING BRACKET	1.0	EA
13	T16481	NYLOC NUT	1.0	EA
14	T13911	FLAT WASHER	4.0	EA
15	T101777	SAFETY RELAY	1.0	EA
16	T16476	SET BOLT	1.0	EA
17	T9775	NUT	5.0	EA
18	T20846	BATTERY ISOLATOR SWITCH	1.0	EA
19	T52600	KEY	1.0	EA
20	T16611	SCREW	2.0	EA
21	T16612	PLAIN WASHER	4.0	EA
22	T16613	NYLOC NUT	2.0	EA
23	T14837	SPRING WASHER	2.0	EA
24	T16477	BOLT	2.0	EA
25	T11673	SET BOLT	1.0	EA

Battery and Fixings

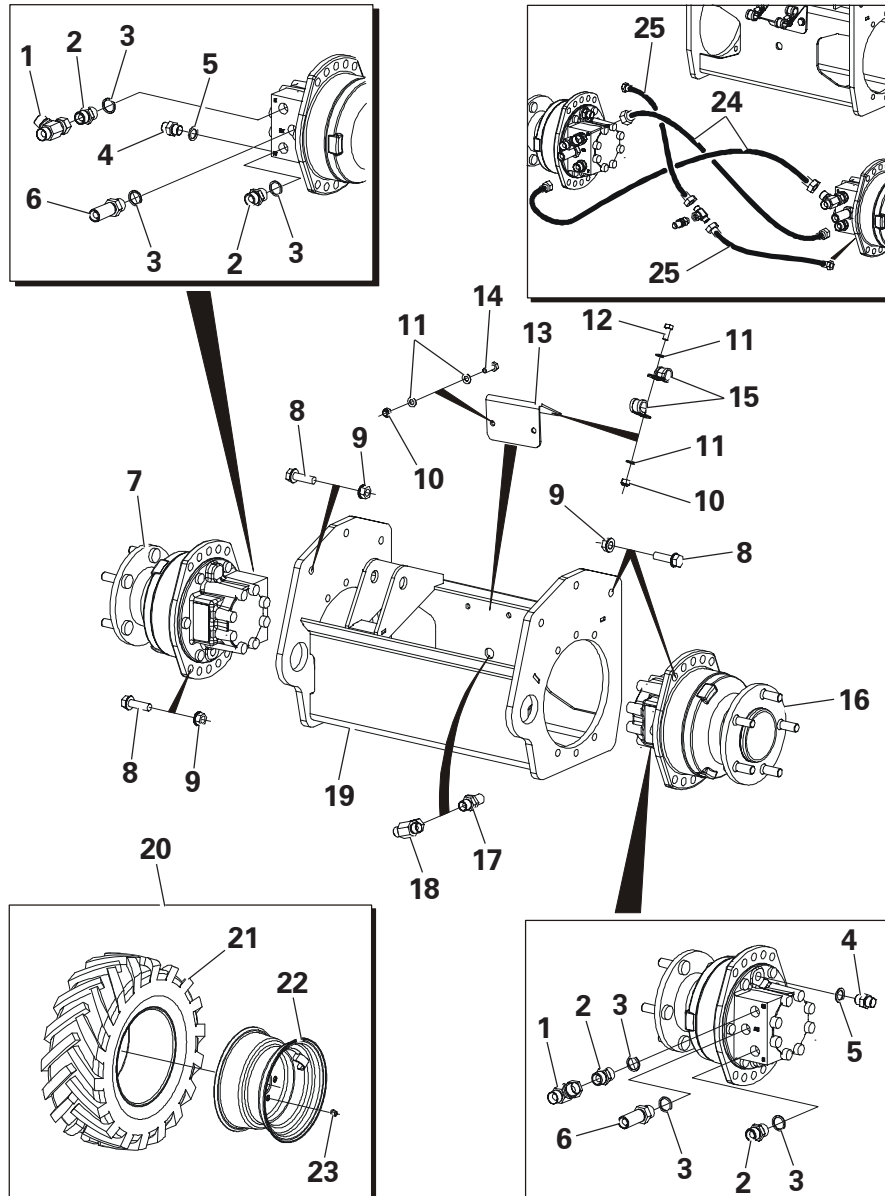
ENGINE HARNESS

Item	Part No.	Description	Qty	U/M
1	T16481	NYLOC NUT	1.0	EA
2	T13911	FLAT WASHER	2.0	EA
3	T16477	BOLT	1.0	EA
4	T100017	HORN	1.0	EA
5*	T102457	WIRING HARNESS	1.0	EA
6	T9157	BOLT	2.0	EA
7	T13362	SPRING WASHER	2.0	EA
8	T15819	PLAIN WASHER	2.0	EA
9	T9914	HOSE CLIP	2.0	EA
10	T14837	SPRING WASHER	1.0	EA
11	T10431	NUT	1.0	EA
12	T9164	NYLON CLIPS	A/R	EA
13	T16611	SET BOLT	1.0	EA
14	T16612	FLAT WASHER	2.0	EA
15	T16613	NYLOC NUT	1.0	EA
16	T101450	MAXIFUSE	1.0	EA
17	T12972	SPRING WASHER	1.0	EA
18	T9775	NUT	1.0	EA



Engine Harness

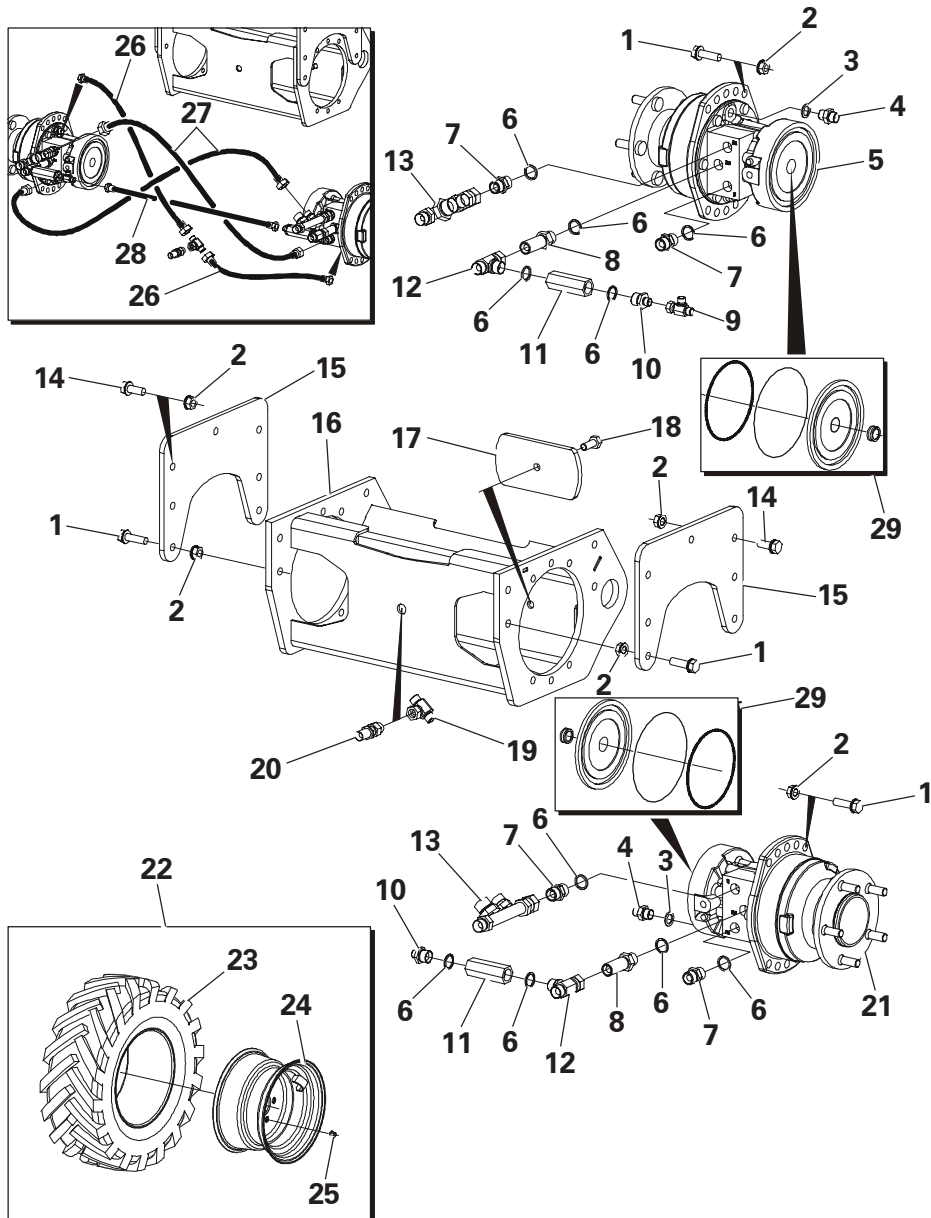
FRONT MOTOR & WHEEL ASSEMBLY



Item	Part No.	Description	Qty	U/M
1	T15532	TEE PIECE	2.0	EA
2	T13936	ADAPTOR	4.0	EA
3	T5596	HYDRAULIC SEAL	6.0	EA
4	T13606	ADAPTOR	2.0	EA
5	T5637	BONDED SEAL	2.0	EA
6	T101541	B/HEAD ADAPTOR	2.0	EA
7	T101426	MOTOR - HYD WHEEL RH	1.0	EA
8	T9926	BOLT DURLOCK	18.0	EA
9	T9928	DURLOCK NUT	18.0	EA
10	T13457	NYLOC NUT	4.0	EA
11	T12973	PLAIN WASHER	8.0	EA
12	T7465	SET SCREW	2.0	EA
13	T101895	PIPE SUPPORT BRACKET	1.0	EA
14	T12694	SET SCREW	2.0	EA
15	T11514	PIPE CLIP	4.0	EA
16	T101359	MOTOR - HYD WHEEL LH	1.0	EA
17	T13212	BULKHEAD ADAPTOR	1.0	EA
18	T15968	TEE	1.0	EA
19	T101454	FRONT MOTOR HOUSING	1.0	EA
20	T101362	WHEEL AND TYRE ASSY	2.0	EA
21	T20966	TYRE	1.0	EA
22	T101361	WHEEL RIM	1.0	EA
23	T101433	WHEEL NUT	10.0	EA
24	T101672	HOSE	2.0	EA
25	T101676	HOSE	2.0	EA

Front Motor & Wheel Assembly

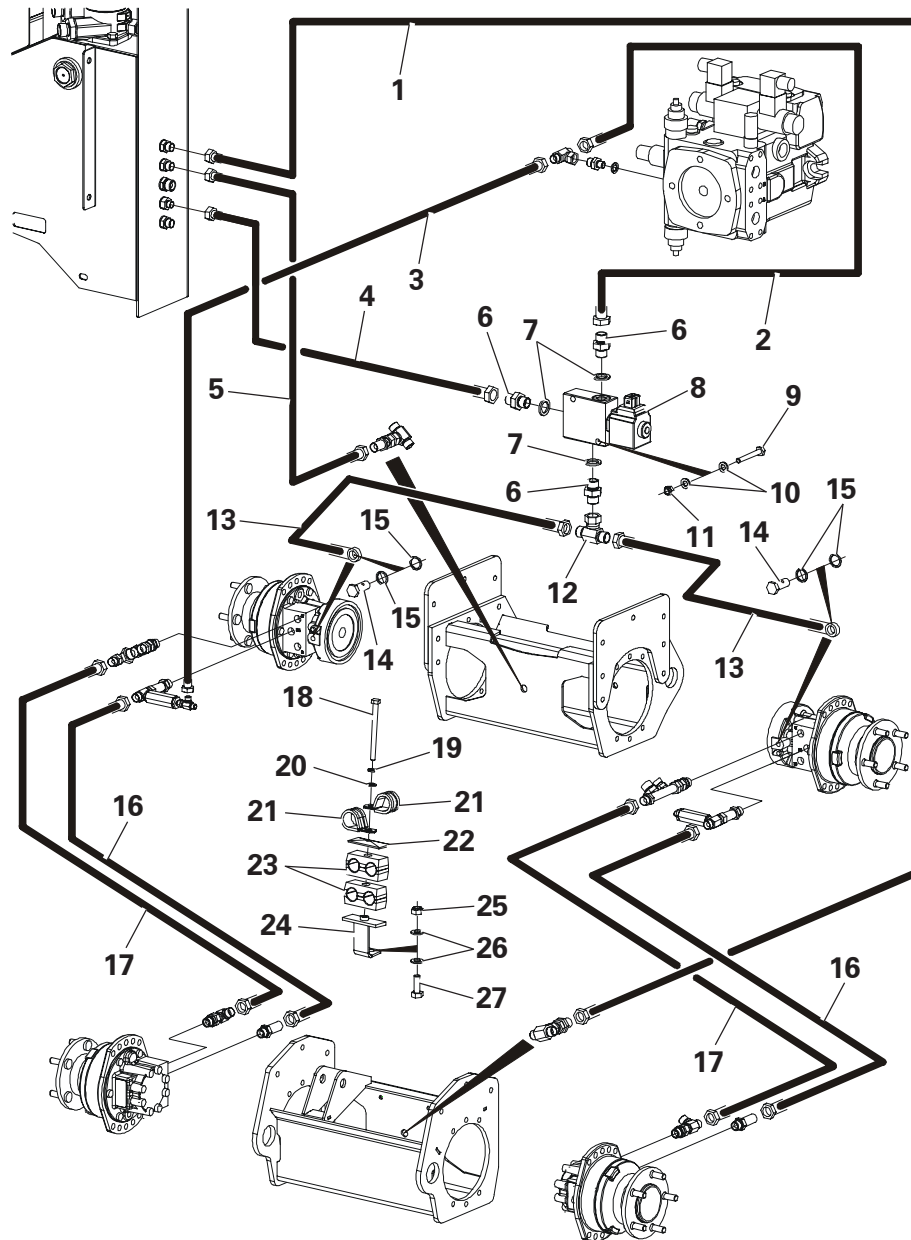
REAR MOTOR & WHEEL ASSEMBLY



Item	Part No.	Description	Qty	U/M
1	T9926	BOLT DURLOCK	20.0	EA
2*	T9928	DURLOCK NUT	26.0	EA
3	T5637	BONDED SEAL	2.0	EA
4	T13606	ADAPTOR	2.0	EA
5	T101358	MOTOR - HYD WHEEL RH	1.0	EA
6	T5596	HYDRAULIC SEAL	10.0	EA
7	T13936	ADAPTOR	4.0	EA
8	T101541	ADAPTOR	2.0	EA
9	T18110	TEE PIECE	1.0	EA
10	T11164	ADAPTOR	2.0	EA
11	T100683	CHECK VALVE	2.0	EA
12	T15532	TEE PIECE	2.0	EA
13	T101542	MANIFOLD PIPE	2.0	EA
14	T101877	DURLOCK BOLT	6.0	EA
15	T101496	AXLE MTG PLATE	2.0	EA
16	T101458	REAR MOTOR HOUSING	1.0	EA
17	T101538	BRAKE RELEASE PLATE	2.0	EA
18	T14077	BOLT	2.0	EA
19	T15968	TEE	1.0	EA
20	T101393	BULKHEAD ADAPTOR	1.0	EA
21	T101425	MOTOR - HYD WHEEL LH	1.0	EA
22	T101362	WHEEL AND TYRE ASSY	2.0	EA
23	T20966	TYRE	1.0	EA
24	T101361	WHEEL RIM	1.0	EA
25	T101433	WHEEL NUT	10.0	EA
26	T101676	HOSE	2.0	EA
27	T101672	HOSE	2.0	EA
28	T101677	HOSE	1.0	EA
29	T53809	SEAL KIT	2.0	EA

Rear Motor & Wheel Assembly

HYDRAULIC CIRCUIT - WHEEL MOTORS

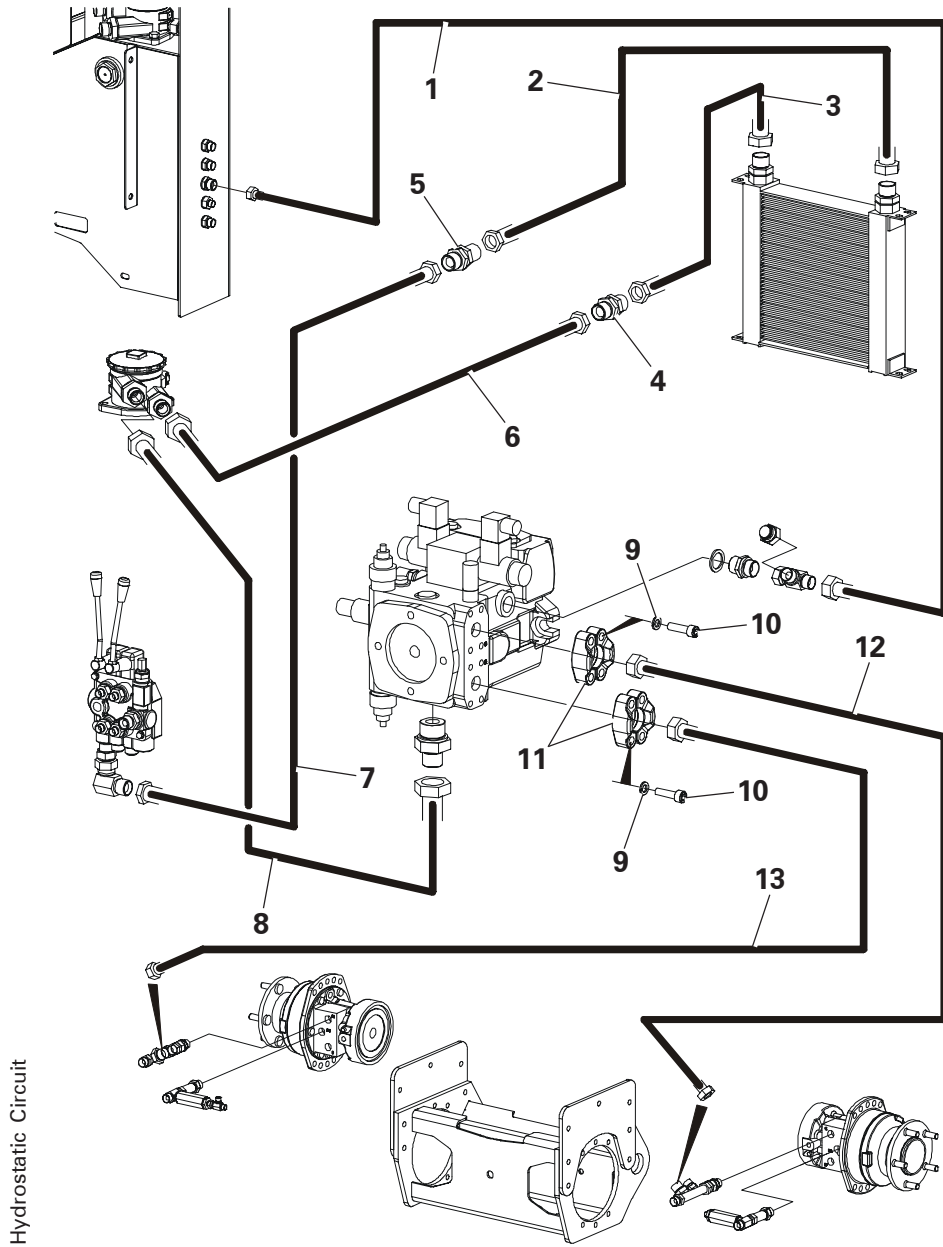


Item	Part No.	Description	Qty	U/M
1	T101679	HYD HOSE	1.0	EA
2	T101699	HYD HOSE	1.0	EA
3	T101698	HYD HOSE	1.0	EA
4	T101701	HYD HOSE	1.0	EA
5	T101684	HYD HOSE	1.0	EA
6	T10847	ADAPTOR	3.0	EA
7	T10940	HYDRAULIC WASHER	3.0	EA
8	T101509	HANDBRAKE SOLENOID VALVE	1.0	EA
9	T17155	BOLT	2.0	EA
10	T13911	FLAT WASHER	4.0	EA
11	T16481	NYLOC NUT	2.0	EA
12	T11186	TEE PIECE	1.0	EA
13	T101700	HYD HOSE	2.0	EA
14	T53220	BANJO BOLT	2.0	EA
15	T10940	HYDRAULIC WASHER	2.0	EA
16	T101674	HYD HOSE	2.0	EA
17	T101673	HYD HOSE	2.0	EA
18	T101957	BOLT	1.0	EA
19	T12972	SPRING WASHER	1.0	EA
20	T12973	PLAIN WASHER	1.0	EA
21	T9914	HOSE CLIP	2.0	EA
22	T101901	COVER PLATE	1.0	EA
23	T101904	STAUFF CLAMP	2.0	EA
24	T101850	PIPE CLAMP MTG	1.0	EA
25	T13064	NUT	1.0	EA
26	T15819	PLAIN WASHER	2.0	EA
27	T20618	SET SCREW	1.0	EA

Hydraulic Circuit - Wheel Motors

HYDROSTATIC CIRCUIT

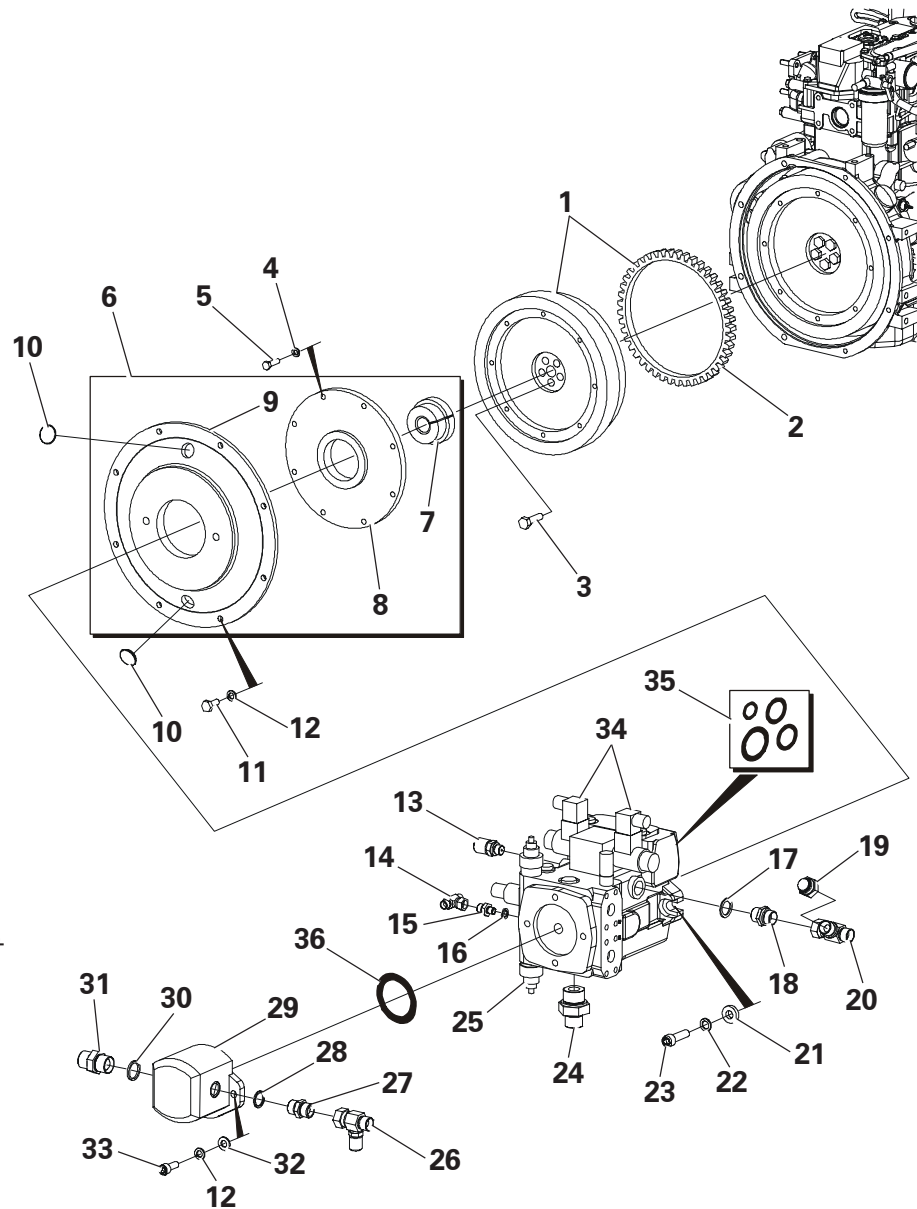
Item	Part No.	Description	Qty	U/M
1	T101681	HYD HOSE	1.0	EA
2	T101991	HYD HOSE	1.0	EA
3	T101683	HYD HOSE	1.0	EA
4	T101894	ADAPTOR	1.0	EA
5	T13524	ADAPTOR	1.0	EA
6	T101682	HYD HOSE	1.0	EA
7	T101685	HYD HOSE	1.0	EA
8	T101680	HYD HOSE	1.0	EA
9	T13362	SPRING WASHER	8.0	EA
10	T17842	CAPSCREW	8.0	EA
11	T17760	SPLIT FLANGE CLAMPS	2.0	PR
12	T101675	HYD HOSE	1.0	EA
13	T101671	HYD HOSE	1.0	EA



Hydrostatic Circuit

TRANSMISSION DRIVE & HYD. PUMP

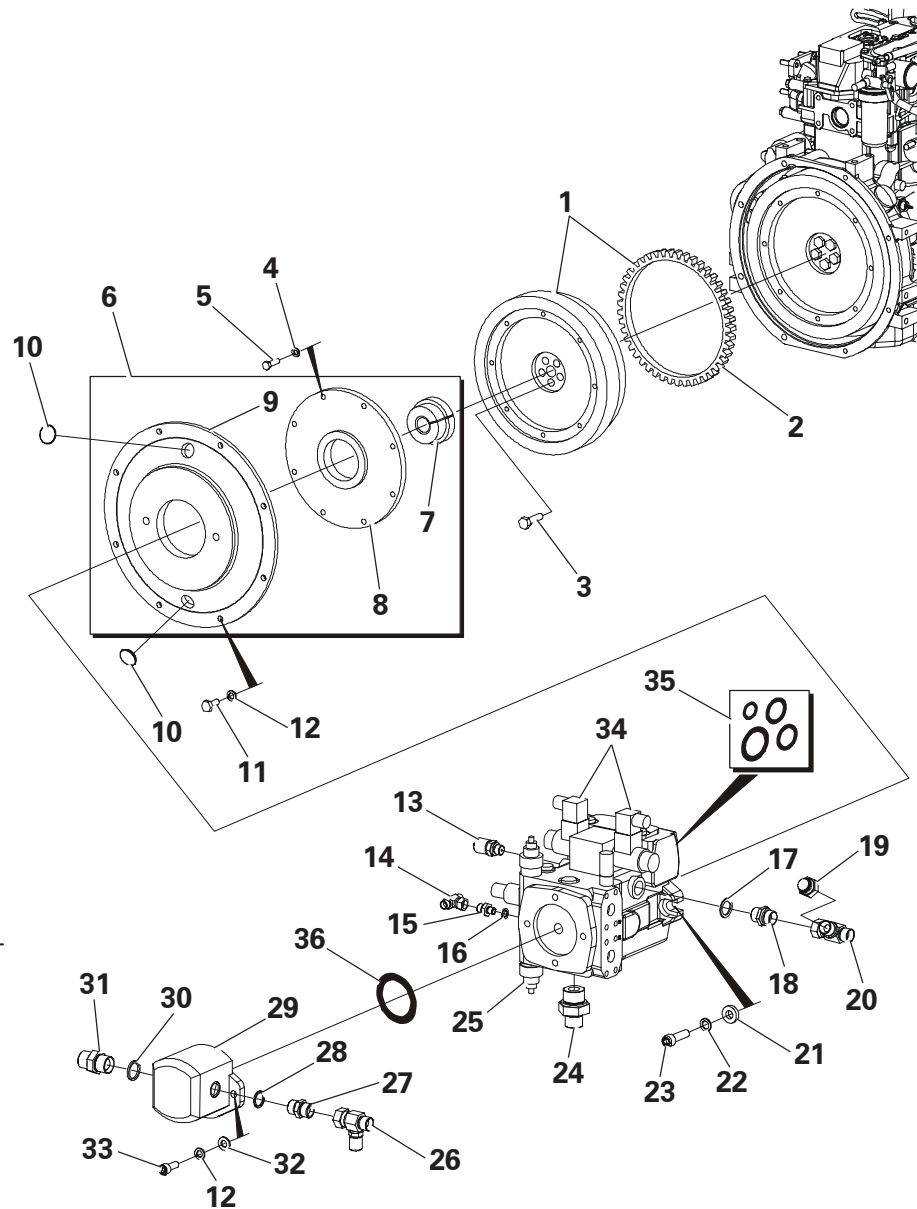
Item	Part No.	Description	Qty	U/M
1	T53221	FLYWHEEL ASSEMBLY	1.0	EA
2	T52837	RING GEAR	1.0	EA
3	T52838	BOLT	5.0	EA
4	T12972	SPRING WASHER	8.0	EA
5	T14152	BOLT	8.0	EA
6	T101406	PUMP COUPLING	1.0	EA
7	T53222	HUB	1.0	EA
8	T53165	FLANGE	1.0	EA
9	T53223	MOUNTING PLATE	1.0	EA
10*	T17094	BLANKING GROMMET	2.0	EA
11	T7466	SET SCREW	4.0	EA
12	T13362	SPRING WASHER	6.0	EA
13	T100681	TEST POINT	1.0	EA
14*	T102341	TEE PIECE	1.0	EA
15*	T102329	ADAPTOR	1.0	EA
16	T100798	DOWTY WASHER	1.0	EA
17	T17769	HYDRAULIC WASHER	1.0	EA
18	T20441	ADAPTOR	1.0	EA



Transmission Drive & Pump

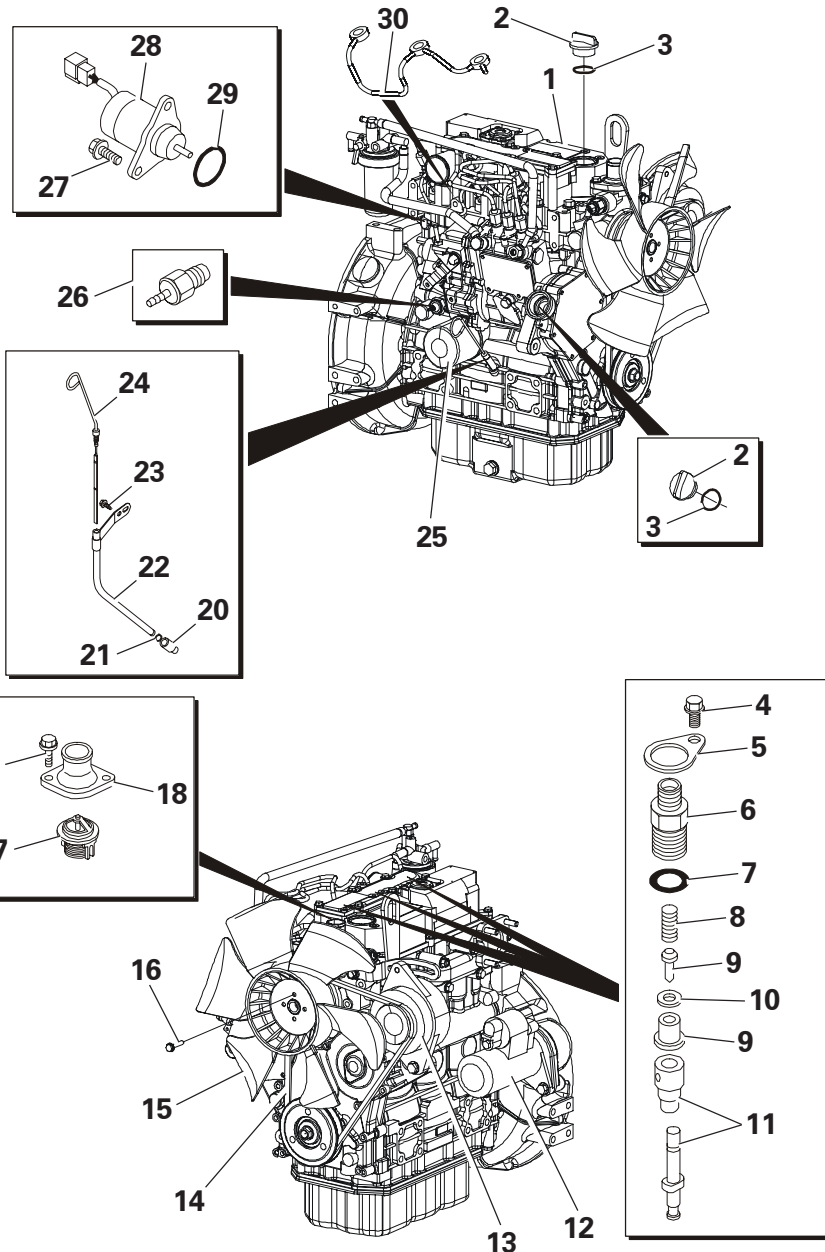
TRANSMISSION DRIVE & HYD. PUMP

Item	Part No.	Description	Qty	U/M
19	T101637	BLANKING CAP	1.0	EA
20	T15532	TEE PIECE	1.0	EA
21	T101588	HEAVY DUTY WASHER	2.0	EA
22	T101591	SCHNORR WASHER	2.0	EA
23	T16673	SCREW	2.0	EA
24	T101866	ADAPTOR	1.0	EA
25	T101605	DRIVE PUMP	1.0	EA
26	T18008	PRESSURE TEST POINT ADAPTOR	1.0	EA
27	T13936	ADAPTOR	1.0	EA
28	T5596	HYDRAULIC SEAL	1.0	EA
29	T101512	GEAR PUMP	1.0	EA
30	T5594	HYD SEAL	1.0	EA
31	T8014	ADAPTOR	1.0	EA
32	T10734	H/DUTY WASHER	2.0	EA
33*	T16770	SOCKET HEAD CAP SCREW	2.0	EA
34	T53246	SOLENOID	2.0	EA
35	T53245	SEAL KIT	1.0	EA
36	T53828	'O' RING	1.0	EA



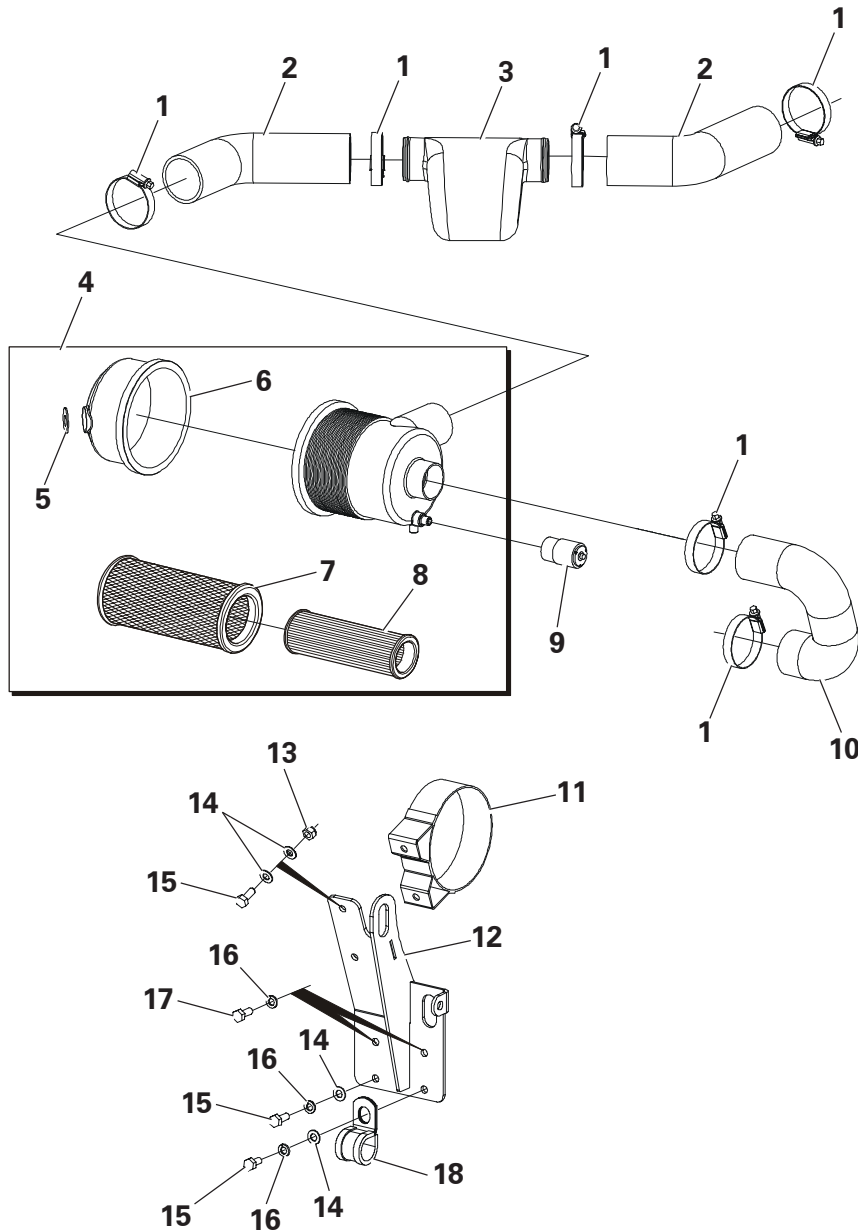
Transmission Drive & Pump

ENGINE ACCESSORIES



Item	Part No.	Description	Qty	U/M
1*	T102520	ENGINE	1.0	EA
2	T52816	CAP	2.0	EA
3	T52819	O RING	2.0	EA
4	T53261	BOLT	3.0	EA
5	T53259	LOCKING	3.0	EA
6	T53258	VALVE ASSEMBLY	3.0	EA
7	T53260	O RING	3.0	EA
8	T53256	SPRING	3.0	EA
9	T53255	VALVE ASSEMBLY	3.0	EA
10	T53257	GASKET	3.0	EA
11	T53254	PLUNGER ASSEMBLY	3.0	EA
12	T53262	STARTER	1.0	EA
13	T53263	GENERATOR	1.0	EA
14*	T52688	V BELT	1.0	EA
15	T53251	COOLING FAN	1.0	EA
16	T53252	BOLT	4.0	EA
17	T53253	THERMOSTAT	1.0	EA
18	T52844	THERMOSTAT COVER	1.0	EA
19	T53043	BOLT	2.0	EA
20	T52830	GUIDE	1.0	EA
21	T52829	O RING	1.0	EA
22	T53264	DIPSTICK GUIDE	1.0	EA
23	T53249	BOLT	1.0	EA
24	T53247	DIPSTICK	1.0	EA
25	T53214	OIL FILTER	1.0	EA
26	T52832	OIL PRESSURE SWITCH	1.0	EA
27	T52835	BOLT	2.0	EA
28	T52833	STOP SOLENOID	1.0	EA
29	T52834	O RING	1.0	EA
30	T53474	PIPE	1.0	EA

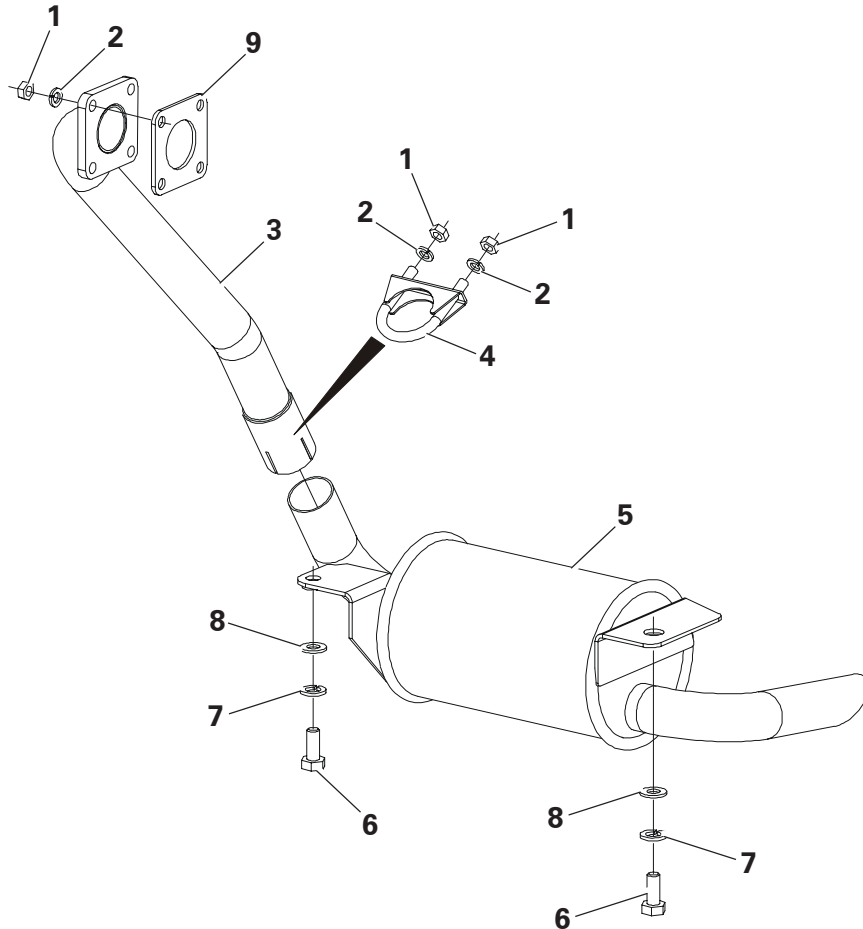
AIR CLEANER ASSEMBLY



Item	Part No.	Description	Qty	U/M
1	T7872	JUBILEE CLIP	6.0	EA
2	T101554	AIR INTAKE HOSE	2.0	EA
3	T53218	RESONATOR	1.0	EA
4	T101781	AIR CLEANER	1.0	EA
5	T53217	INTERNAL DUST VALVE	1.0	EA
6	T53216	FILTER CAP	1.0	EA
7	T53212	OUTER AIR FILTER	1.0	EA
8	T53213	INNER AIR FILTER	1.0	EA
9	T100282	RESTRICTION INDICATOR	1.0	EA
10	T101553	AIR CLEANER HOSE	1.0	EA
11	T101782	AIR CLEANER MTG BAND	1.0	EA
12	T101728	AIR CLEANER MTG BRKT	1.0	EA
13	T13457	NYLOC NUT	2.0	EA
14	T12973	PLAIN WASHER	6.0	EA
15	T7465	SET SCREW	4.0	EA
16	T12972	SPRING WASHER	4.0	EA
17	T11673	SET BOLT	2.0	EA
18	T11514	P CLIP	1.0	EA

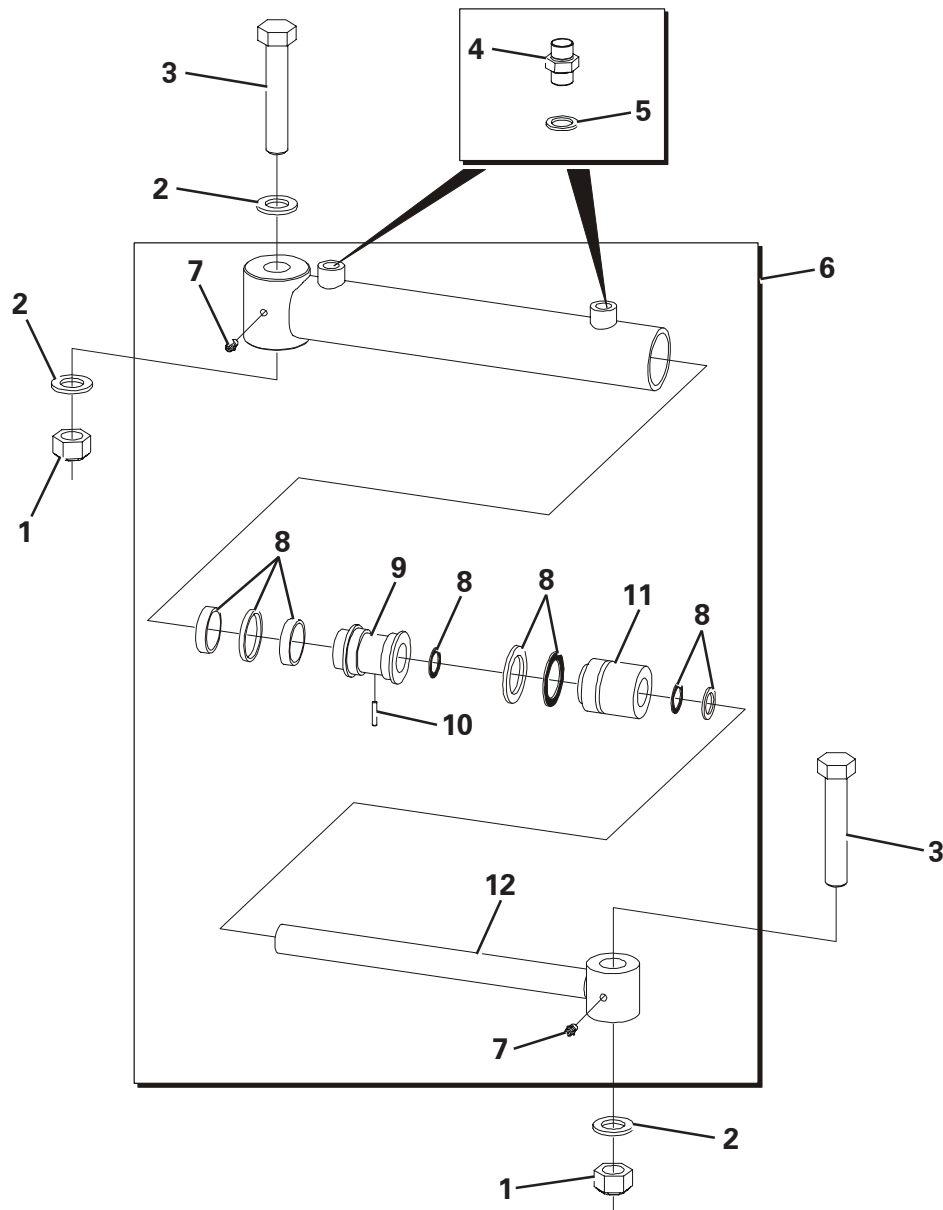
EXHAUST ASSEMBLY

Item	Part No.	Description	Qty	U/M
1	T9775	NUT	6.0	EA
2	T12972	SPRING WASHER	6.0	EA
3	T101507	EXHAUST PIPE	1.0	EA
4	T13760	PIPE CLAMP	1.0	EA
5	T101506	SILENCER BOX	1.0	EA
6	T7466	SET SCREW	2.0	EA
7	T13362	SPRING WASHER	2.0	EA
8	T10734	H/DUTY WASHER	2.0	EA
9	T53219	GASKET	1.0	EA

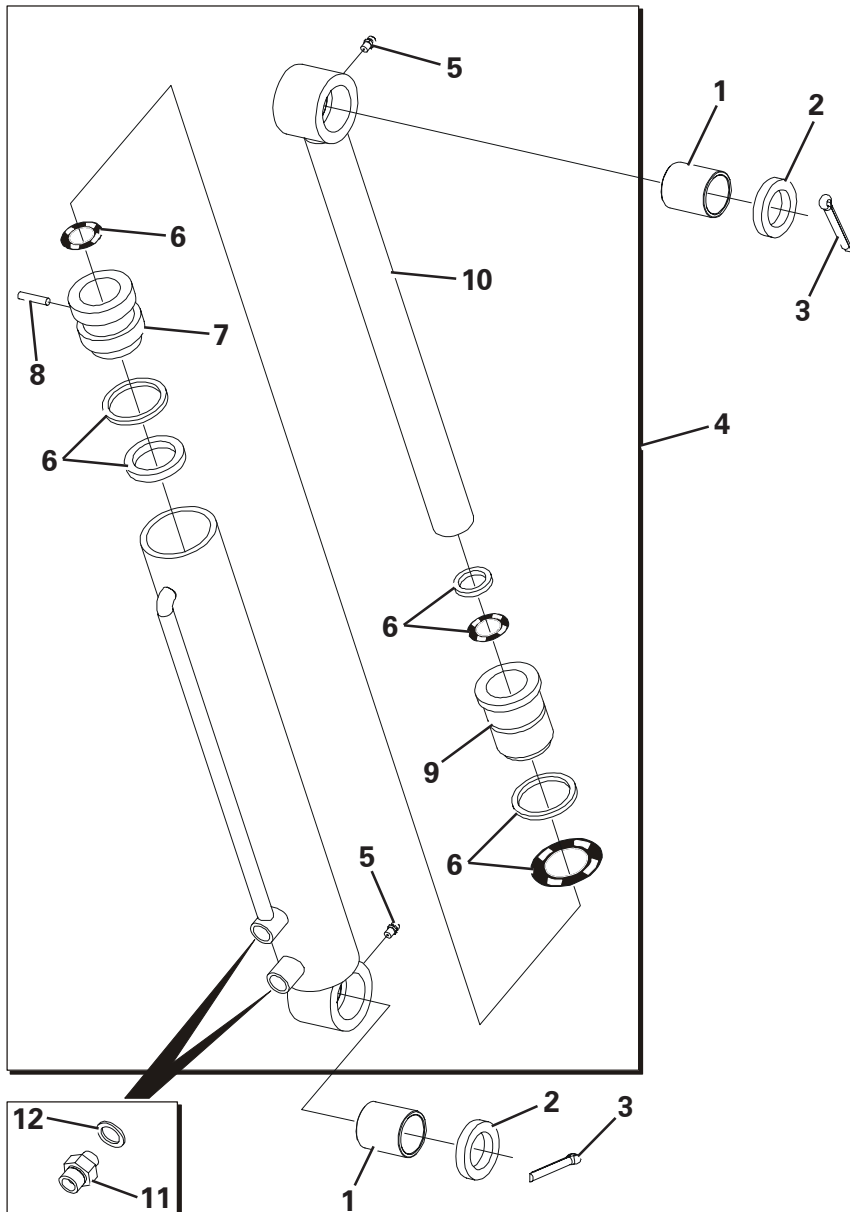


STEERING RAM ASSEMBLY

Item	Part No.	Description	Qty	U/M
1	T13739	NUT	2.0	EA
2	T17306	PLAIN WASHER	3.0	EA
3	T100404	BOLT	2.0	EA
4	T13606	ADAPTOR	2.0	EA
5	T5637	BONDED SEAL	2.0	EA
6	T101434	STEERING RAM	1.0	EA
7	T16586	GREASE NIPPLE	2.0	EA
8	T53235	SEAL KIT	1.0	EA
9	T53233	PISTON	1.0	EA
10	T53234	PIN	1.0	EA
11	T53232	GLAND	1.0	EA
12	T53231	ROD ASSEMBLY	1.0	EA



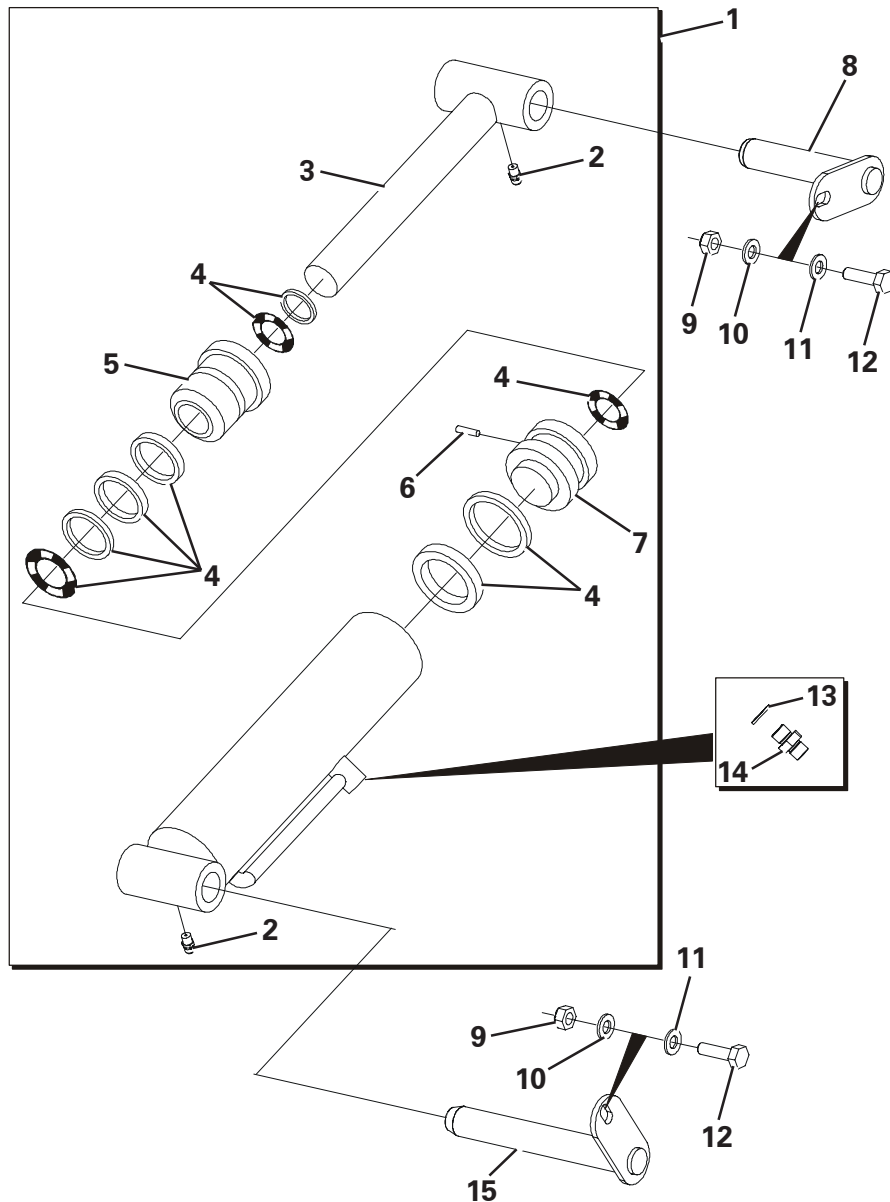
ARM LIFT RAM ASSEMBLY



Item	Part No.	Description	Qty	U/M
1	T101440	ARM BEARING	4.0	EA
2	T101547	SPACER LIFT CYLINDER	4.0	EA
3	T6757	SPLIT PIN	4.0	EA
4	T101430	ARM LIFT RAM	2.0	EA
5	T16586	GREASE NIPPLE	2.0	EA
6	T53240	SEAL KIT	1.0	EA
7	T53238	PISTON	1.0	EA
8	T53239	PIN	1.0	EA
9	T53237	GLAND	1.0	EA
10	T53236	ROD ASSEMBLY	1.0	EA
11	T13888	ADAPTOR	4.0	EA
12	T5637	BONDED SEAL	4.0	EA

Lift Ram

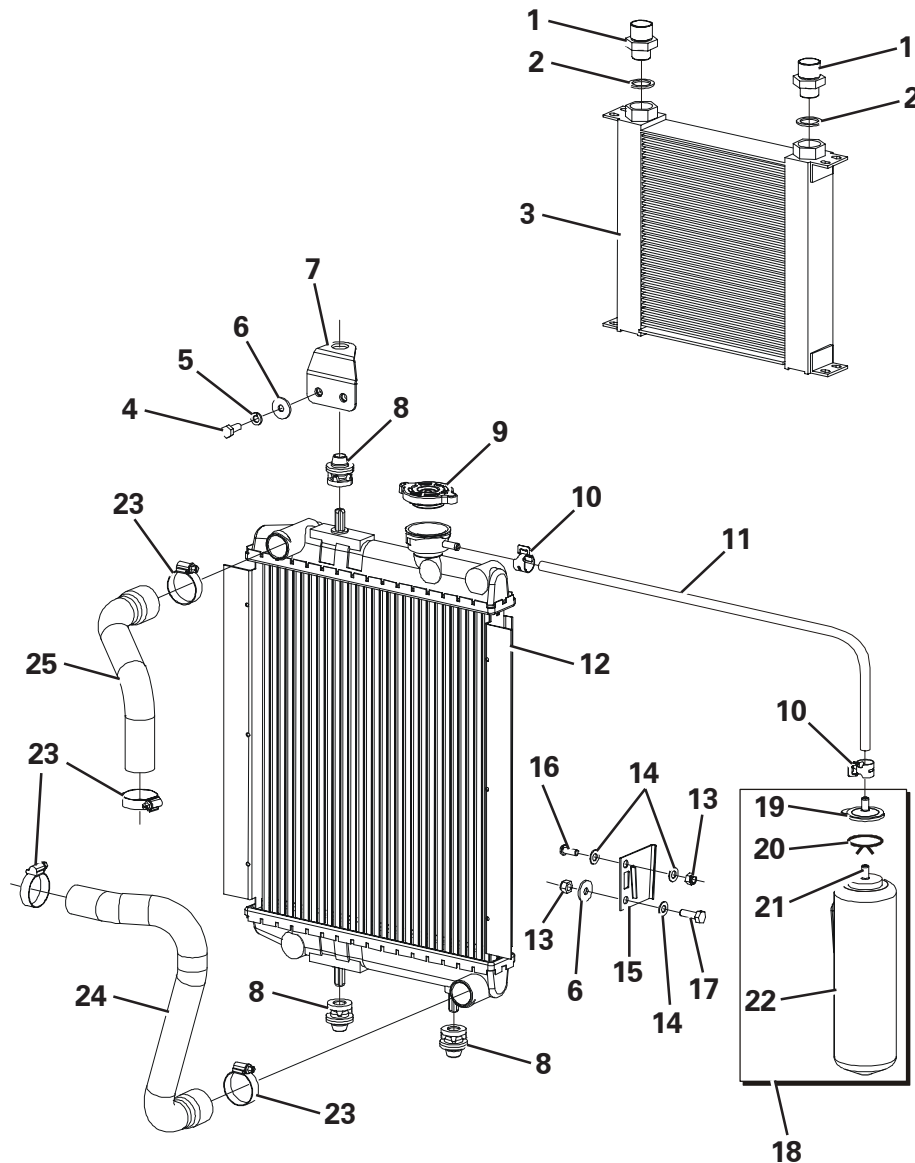
TIPPING RAM ASSEMBLY



Item	Part No.	Description	Qty	U/M
1	T101431	SKIP TIPPING RAM	1.0	EA
2	T16586	GREASE NIPPLE	2.0	EA
3	T53241	ROD ASSEMBLY	1.0	EA
4	T53244	SEAL KIT	1.0	EA
5	T53242	GLAND	1.0	EA
6	T53239	PIN	1.0	EA
7	T53243	PISTON	1.0	EA
8	T101524	PIVOT PIN	1.0	EA
9	T13064	NUT	2.0	EA
10	T15819	PLAIN WASHER	2.0	EA
11	T10734	H/DUTY WASHER	2.0	EA
12	T16505	BOLT	2.0	EA
13	T10940	HYDRAULIC WASHER	2.0	EA
14	T10847	ADAPTOR	2.0	EA
15	T101522	TIP RAM BODY PIN	1.0	EA

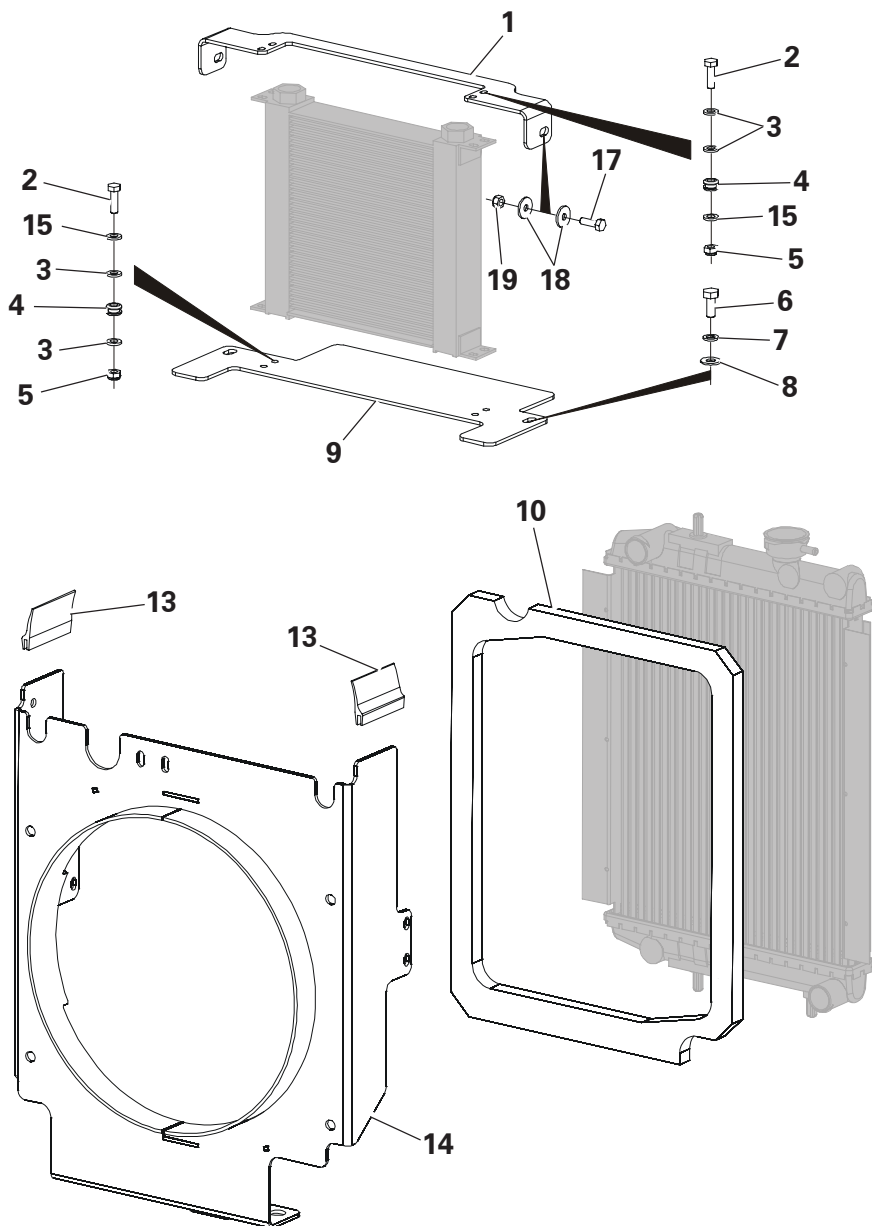
RADIATOR & OIL COOLER

Item	Part No.	Description	Qty	U/M
1	T17724	ADAPTOR	2.0	EA
2	T17769	HYDRAULIC WASHER	2.0	EA
3	T101905	OIL COOLER	1.0	EA
4	T7465	SET SCREW	2.0	EA
5	T12972	SPRING WASHER	2.0	EA
6	T9345	WASHER	3.0	EA
7	T101527	RADIATOR SUPPORT BRKT	1.0	EA
8	T101188	RADIATOR MTG RUBBER	3.0	EA
9	T53136	RADIATOR CAP	1.0	EA
10	T100421	SPRING BAND CLAMP	2.0	EA
11*	T102009	HOSE	1.0	EA
12*	T102402	RADIATOR	1.0	EA
13	T13457	NYLOC NUT	2.0	EA
14	T12973	PLAIN WASHER	3.0	EA
15	T52805	BRACKET SUB-TANK	1.0	EA
16	T12832	DOME HEAD SCREW	1.0	EA
17	T12694	SET SCREW	1.0	EA
18	T52800	TANK ASSEMBLY	1.0	EA
19	T52802	CAP	1.0	EA
20	T52803	CLAMP	1.0	EA
21	T52804	PIPE	1.0	EA
22	T52801	TANK	1.0	EA
23	T6693	JUBILEE CLIP	4.0	EA
24	T101437	HOSE - RADIATOR BOTTOM	1.0	EA
25	T101436	HOSE - RADIATOR TOP	1.0	EA



Radiator & Oil Cooler

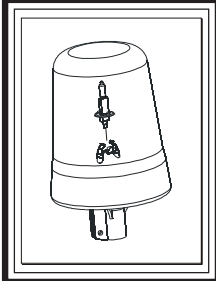
COOLER & RADIATOR FIXINGS



Item	Part No.	Description	Qty	U/M
1	T101900	OIL COOLER SUPPORT PLATE	1.0	EA
2	T16476	SET BOLT	8.0	EA
3	T15830	FLAT WASHER	16.0	EA
4	T101955	GROMMET	8.0	EA
5	T16481	NYLOC NUT	8.0	EA
6	T7466	SET SCREW	2.0	EA
7	T13362	SPRING WASHER	2.0	EA
8	T10734	H/DUTY WASHER	2.0	EA
9	T101537	OIL COOLER MTG	1.0	EA
10*	T102275	RADIATOR SEAL	1.0	EA
11*	DELETED			
12*	DELETED			
13	T101706	COWL SEAL	2.0	EA
14*	T102343	RADIATOR MOUNTING	1.0	EA
15	T13911	FLAT WASHER	8.0	EA
16*	DELETED			
17	T12694	SET SCREW	1.0	EA
18	T9345	WASHER	2.0	EA
19	T13457	NYLOC NUT	1.0	EA

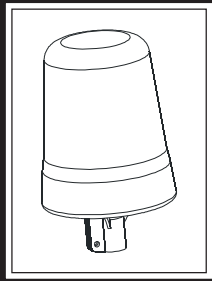
OPTIONAL EXTRAS

T100133



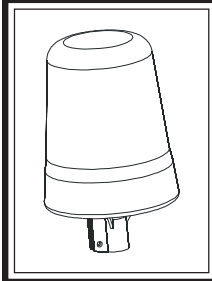
PAGE 36

T100307



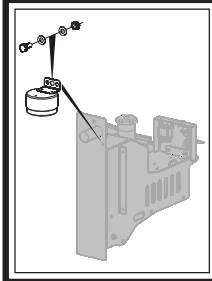
PAGE 37

T100308



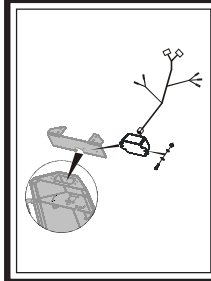
PAGE 38

KIT 293



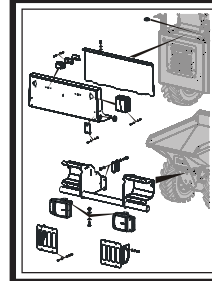
PAGE 39

KIT 242



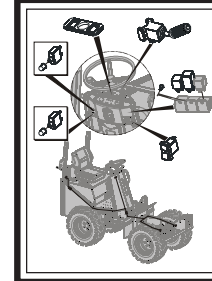
PAGE 40

MACH1136X



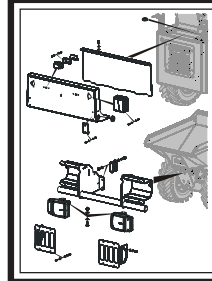
PAGE 41

MACH1136X



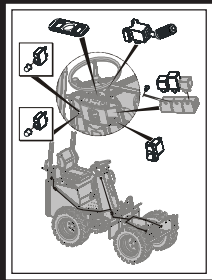
PAGE 42

MACH1139X



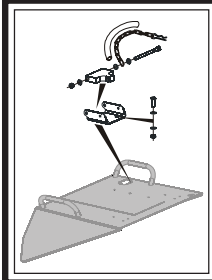
PAGE 43

MACH1139X



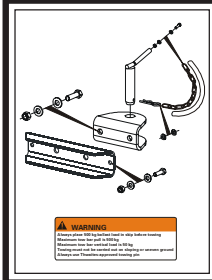
PAGE 44

MACH1142X



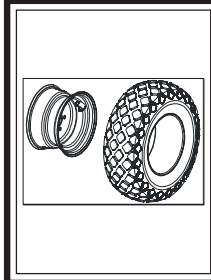
PAGE 45

MACH1156X



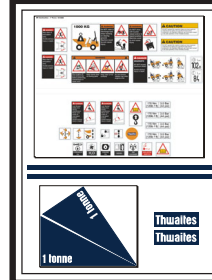
PAGE 46

MACH1179X



PAGE 47

KIT 292



PAGE 48

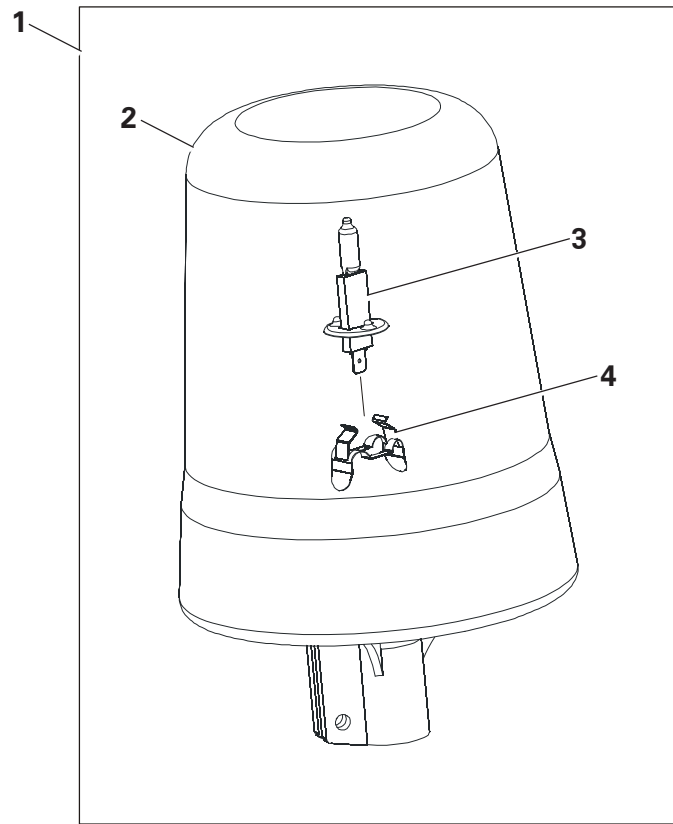
KIT 230



PAGE 49

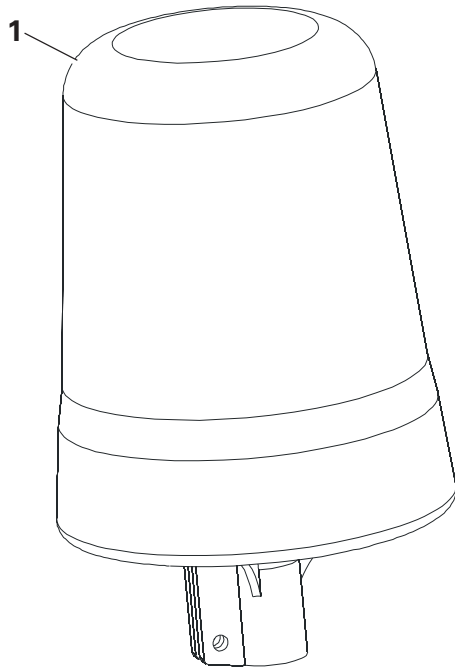
T100133 - ROTATING BEACON

Item	Part No.	Description	Qty	U/M
1	T100133	ROTATING BEACON	1.0	EA
2	T52523	LENS	1.0	EA
3	T52522	BULB	1.0	EA
4	T52521	BULB CLIP	1.0	EA



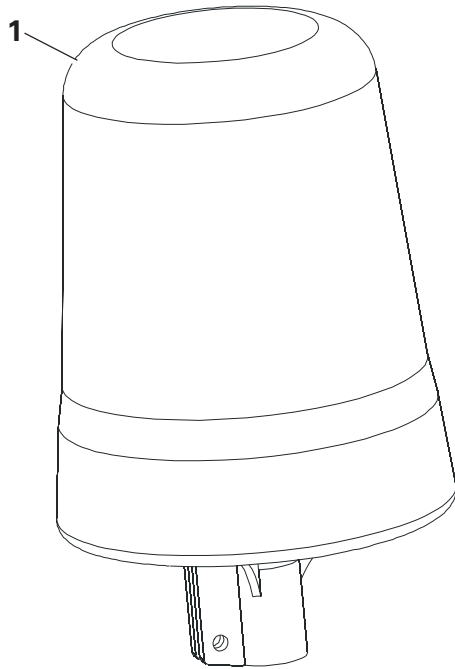
T100307 - FLEXIBLE BEACON

Item	Part No.	Description	Qty	U/M
1	T100307	FLEXIBLE BEACON	1.0	EA

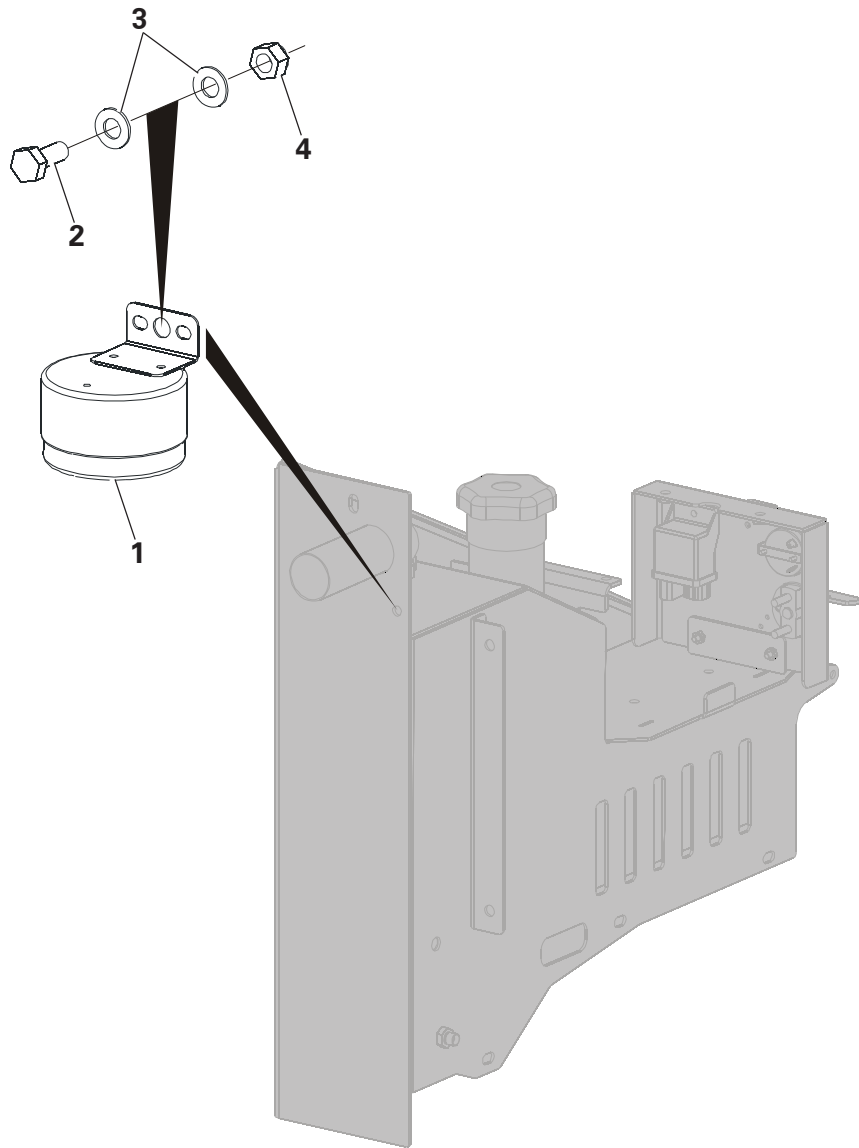


T100308 - XENON BEACON

Item	Part No.	Description	Qty	U/M
1	T100308	XENON BEACON	1.0	EA



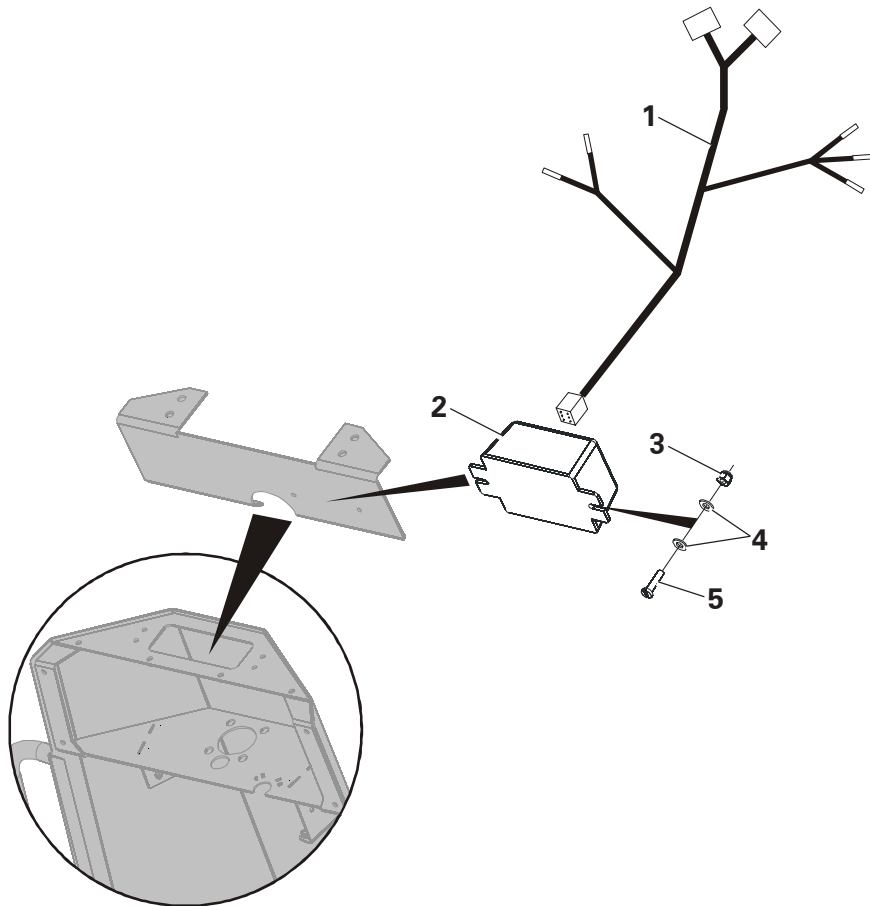
KIT 293 - REVERSE ALARM



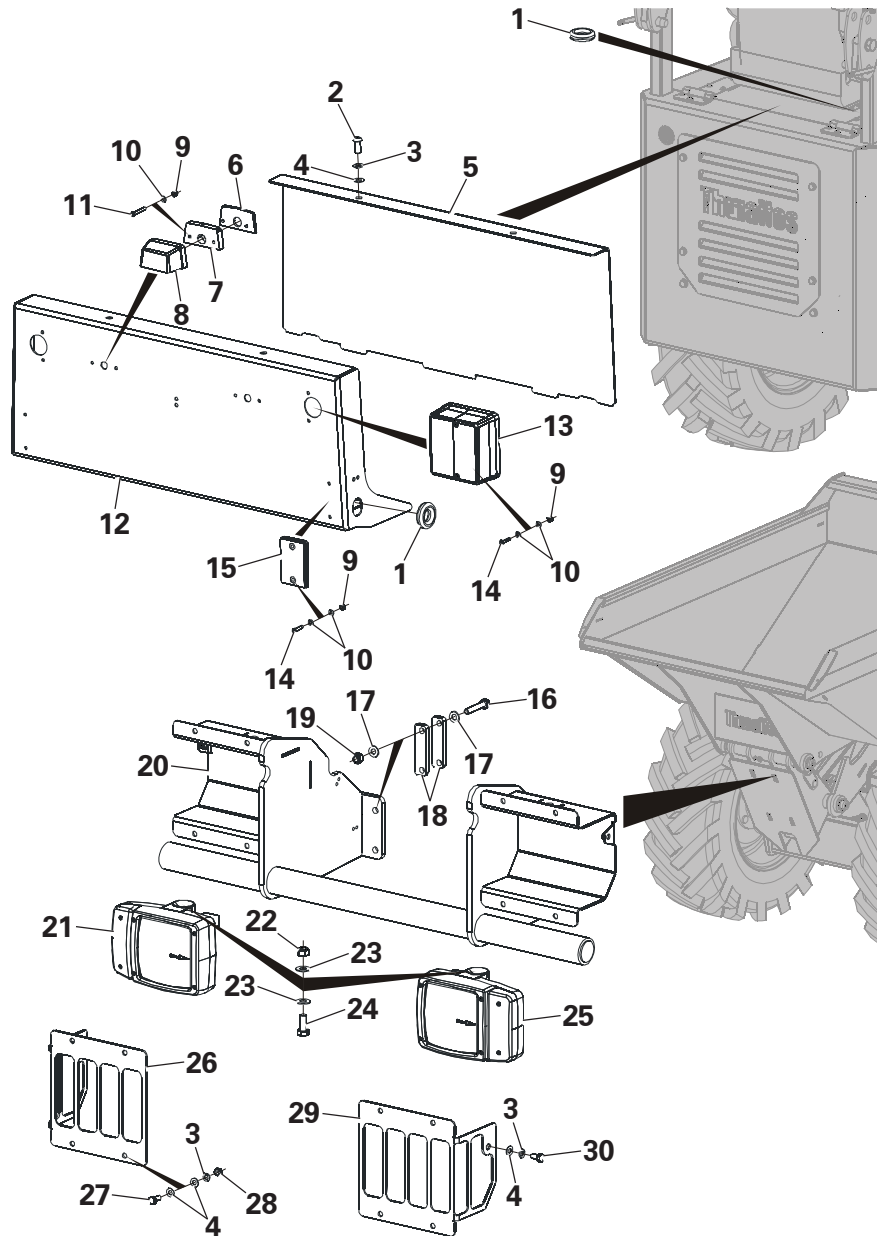
Item	Part No.	Description	Qty	U/M
1	T101887	REVERSE ALARM	1.0	EA
2	T7465	SET SCREW	1.0	EA
3	T12973	WASHER	2.0	EA
4	T13457	NYLOC NUT	1.0	EA

KIT 242 - ELECTRONIC SHUTDOWN

Item	Part No.	Description	Qty	U/M
1	T100050	HARNES ENGINE SHUTDOWN	1.0	EA
2	T100132	ENGINE SHUTDOWN MODULE	1.0	EA
3	T19233	CHEESE HEAD SCREW	2.0	EA
4	T16956	WASHER	4.0	EA
5	T16957	NYLOC NUT	2.0	EA



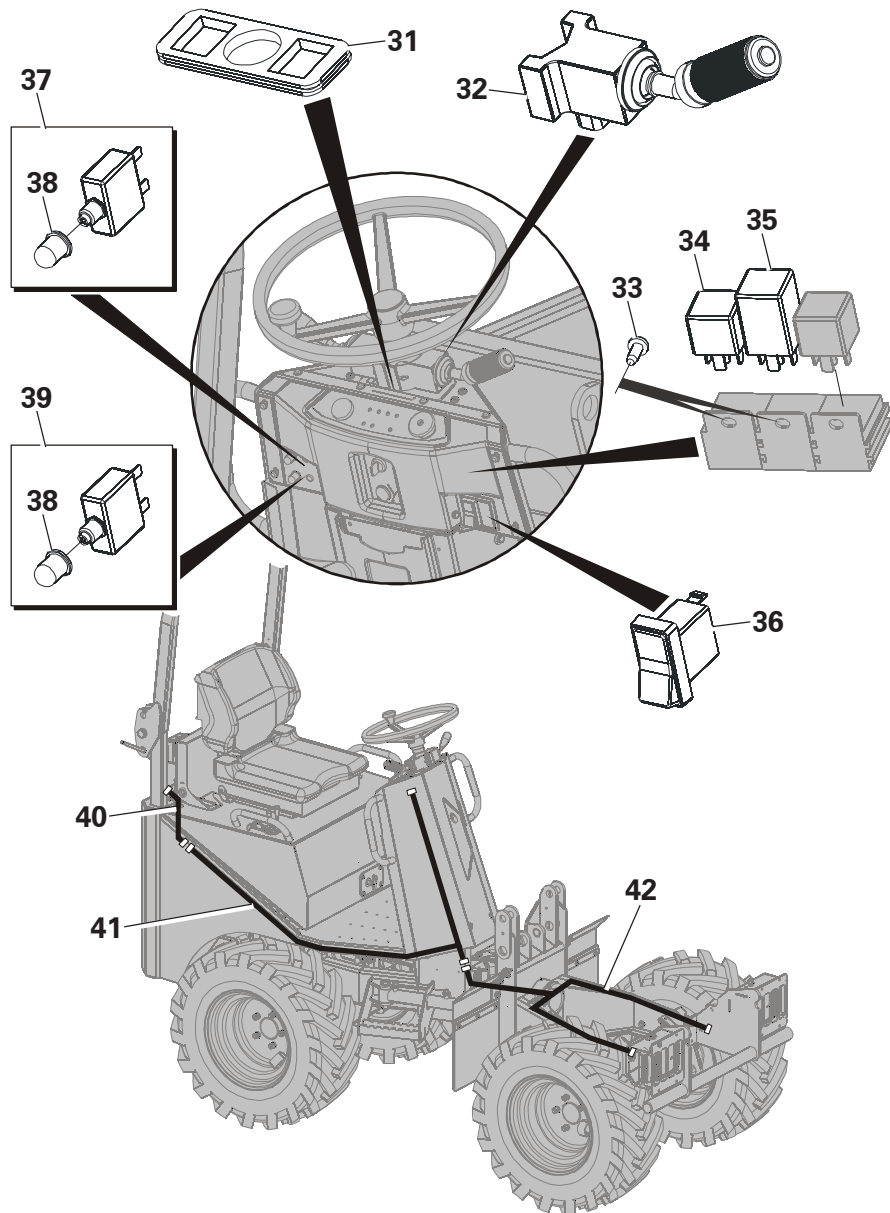
MACH1136X - ROAD LIGHT KIT (CON)



Item	Part No.	Description	Qty	U/M
1	T9538	GROMMET	2.0	EA
2	T12832	SOCKET DOME HEAD SCREW	2.0	EA
3	T12972	SPRING WASHER	12.0	EA
4	T12973	WASHER	20.0	EA
5	T101884	REAR LIGHT COVER	1.0	EA
6	T16775	NUMBER PLATE LIGHT GASKET	2.0	EA
7	T16774	NUMBER PLATE LIGHT PLINTH	2.0	EA
8	T16773	NUMBER PLATE LAMP	2.0	EA
9	T16957	NYLOC NUT	12.0	EA
10	T16956	WASHER	20.0	EA
11	T16675	CHEESE HEAD SCREW	4.0	EA
12	T101883	REAR LIGHT BRACKET	1.0	EA
13	T15994	REAR COMBINATION LIGHT	2.0	EA
14	T17002	CHEESE HEAD SCREW	8.0	EA
15	T15011	REFLECTOR	2.0	EA
16	T16429	SET SCREW	4.0	EA
17	T15819	WASHER	8.0	EA
18	T101927	LIGHT SPACER PLATE	4.0	EA
19	T13064	PHILIDAS NUT	4.0	EA
20	T101947	LIGHTING BRACKET	1.0	EA
21	T101961	HEADLAMP RH (CON)	1.0	EA
22	T14283	PHILIDAS NUT	2.0	EA
23	T14748	HEAVY DUTY WASHER	4.0	EA
24	T14077	SET SCREW	2.0	EA
25	T101960	HEADLAMP LH (CON)	1.0	EA
26	T101949	LIGHT GRILL RH	1.0	EA
27	T15050	SET SCREW	8.0	EA
28	T9775	NUT	8.0	EA
29	T101948	LIGHT GRILL LH	1.0	EA
30	T11673	SET SCREW	1.0	EA

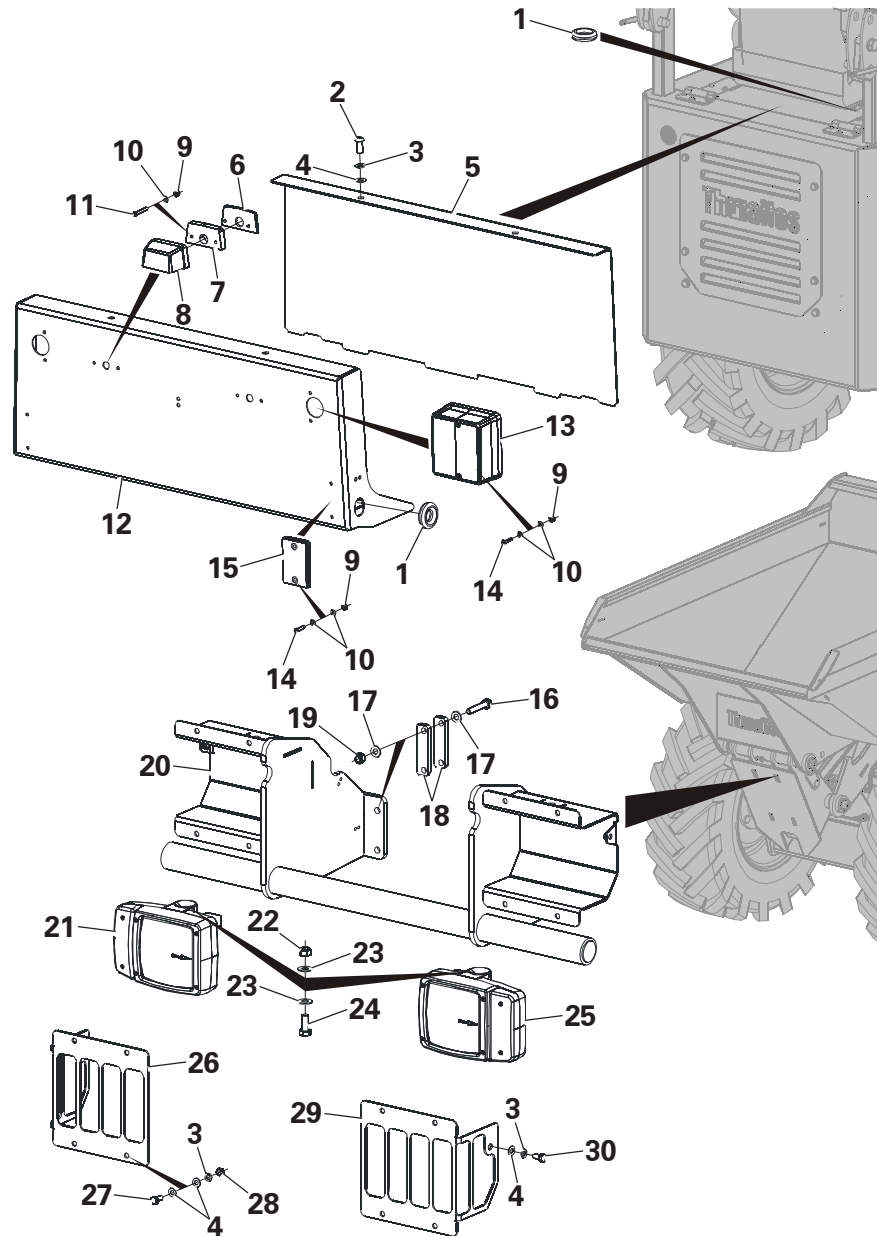
MACH1139X - Road Light Kit (UK)

MACH1136X - ROAD LIGHT KIT (CON)



Item	Part No.	Description	Qty	U/M
31	T100356	STEERING COLUMN GROMMET	1.0	EA
32	T100037	COLUMN SWITCH LIGHTS	1.0	EA
33	T101134	SCREW	2.0	EA
34	T101129	RELAY	1.0	EA
35	T101130	FLASHER UNIT	1.0	EA
36	T100046	SWITCH HAZARD	1.0	EA
37	T101131	CIRCUIT BREAKER 18 AMP	2.0	EA
38	T101133	CIRCUIT BREAKER SPLASHGUARD	4.0	EA
39	T101149	CIRCUIT BREAKER 5 AMP	2.0	EA
40	T101860	REAR LIGHTING HARNESS	1.0	EA
41	T101859	LIGHTING HARNESS	1.0	EA
42	T101861	FRONT LIGHTING HARNESS	1.0	EA

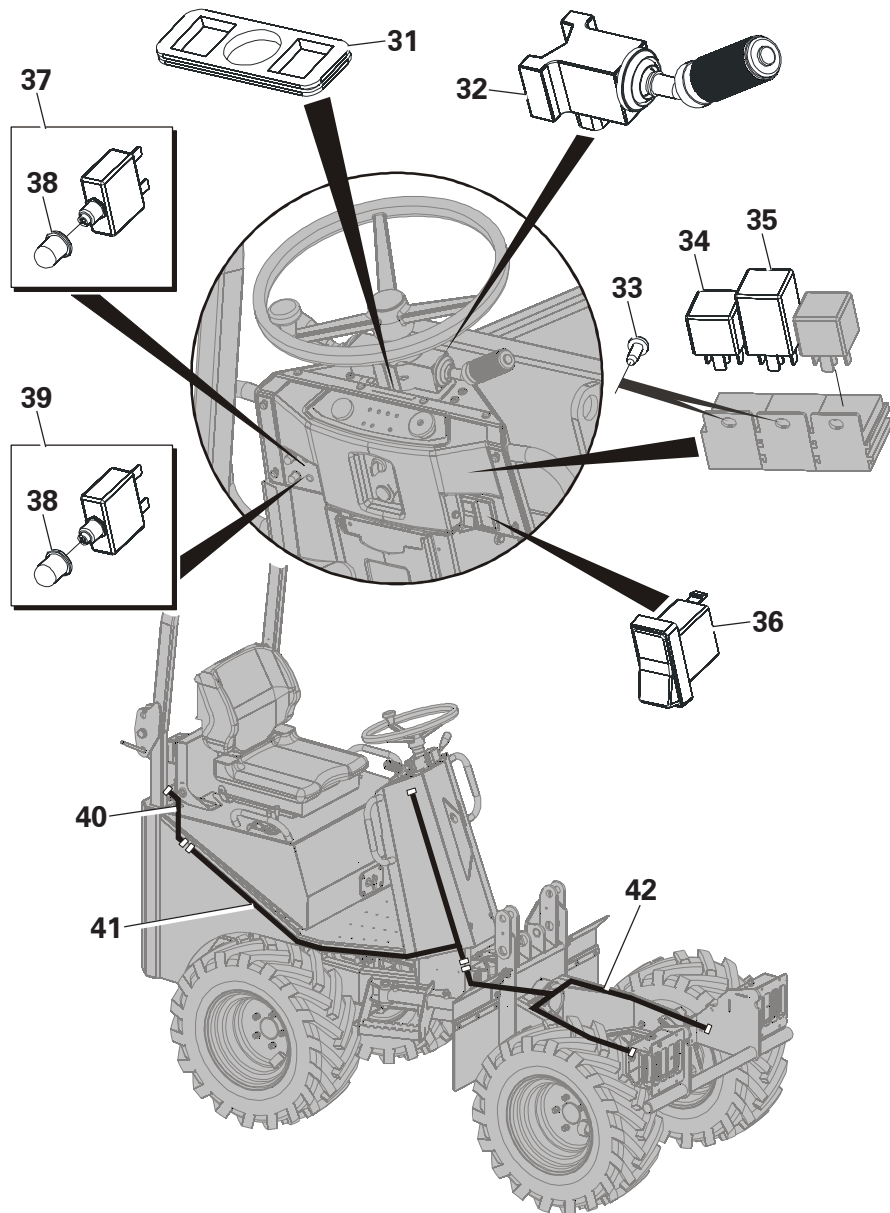
MACH1139X - ROAD LIGHT KIT (UK)



Item	Part No.	Description	Qty	U/M
1	T9538	GROMMET	2.0	EA
2	T12832	SOCKET DOME HEAD SCREW	2.0	EA
3	T12972	SPRING WASHER	12.0	EA
4	T12973	WASHER	20.0	EA
5	T101884	REAR LIGHT COVER	1.0	EA
6	T16775	NUMBER PLATE LIGHT GASKET	2.0	EA
7	T16774	NUMBER PLATE LIGHT PLINTH	2.0	EA
8	T16773	NUMBER PLATE LAMP	2.0	EA
9	T16957	NYLOC NUT	12.0	EA
10	T16956	WASHER	20.0	EA
11	T16675	CHEESE HEAD SCREW	4.0	EA
12	T101883	REAR LIGHT BRACKET	1.0	EA
13	T15994	REAR COMBINATION LIGHT	2.0	EA
14	T17002	CHEESE HEAD SCREW	8.0	EA
15	T15011	REFLECTOR	2.0	EA
16	T16429	SET SCREW	4.0	EA
17	T15819	WASHER	8.0	EA
18	T101927	LIGHT SPACER PLATE	4.0	EA
19	T13064	PHILIDAS NUT	4.0	EA
20	T101947	LIGHTING BRACKET	1.0	EA
21	T101959	HEADLAMP RH (UK)	1.0	EA
22	T14283	PHILIDAS NUT	2.0	EA
23	T14748	HEAVY DUTY WASHER	4.0	EA
24	T14077	SET SCREW	2.0	EA
25	T101958	HEADLAMP LH (UK)	1.0	EA
26	T101949	LIGHT GRILL RH	1.0	EA
27	T15050	SET SCREW	8.0	EA
28	T9775	NUT	8.0	EA
29	T101948	LIGHT GRILL LH	1.0	EA
30	T11673	SET SCREW	1.0	EA

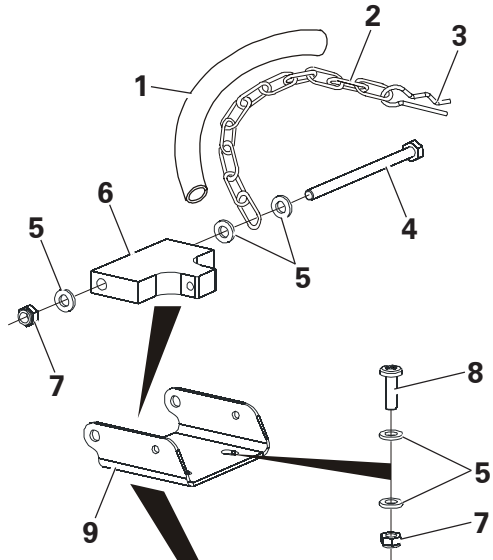
MACH1139X - Road Light Kit (UK)

MACH1139X - ROAD LIGHT KIT (UK)



Item	Part No.	Description	Qty	U/M
31	T100356	STEERING COLUMN GROMMET	1.0	EA
32	T100037	COLUMN SWITCH LIGHTS	1.0	EA
33	T101134	SCREW	2.0	EA
34	T101129	RELAY	1.0	EA
35	T101130	FLASHER UNIT	1.0	EA
36	T100046	SWITCH HAZARD	1.0	EA
37	T101131	CIRCUIT BREAKER 18 AMP	2.0	EA
38	T101133	CIRCUIT BREAKER SPLASHGUARD	4.0	EA
39	T101149	CIRCUIT BREAKER 5 AMP	2.0	EA
40	T101860	REAR LIGHTING HARNESS	1.0	EA
41	T101859	LIGHTING HARNESS	1.0	EA
42	T101861	FRONT LIGHTING HARNESS	1.0	EA

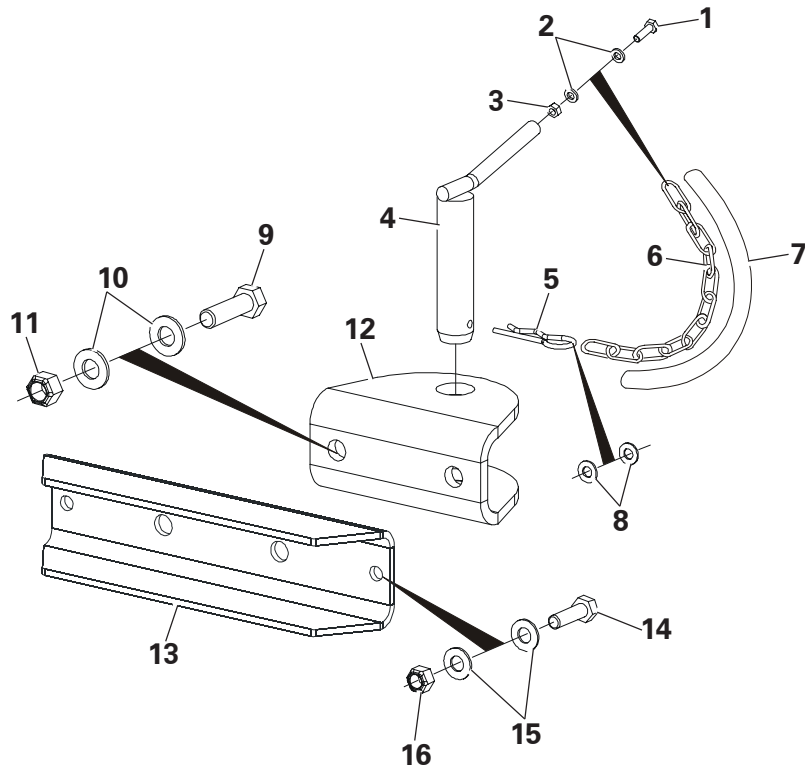
MACH1142X - TIPPING VALVE LOCK



Item	Part No.	Description	Qty	U/M
1	T17508	CHAIN SLEEVE	1.0	EA
2	T17507	LOCKING PIN CHAIN	1.0	EA
3	T10012	R CLIP	1.0	EA
4	T101998	BOLT	1.0	EA
5	T13911	WASHER	7.0	EA
6	T101996	VALVE LEVER LOCK	1.0	EA
7	T16481	NYLOC NUT	3.0	EA
8	T16492	PHILIPS PAN HEAD SCREW	2.0	EA
9	T101997	VALVE LOCK BRACKET	1.0	EA

MACH1142X - Tipping Valve Lock

MACH1156X - TOWING EQUIPMENT



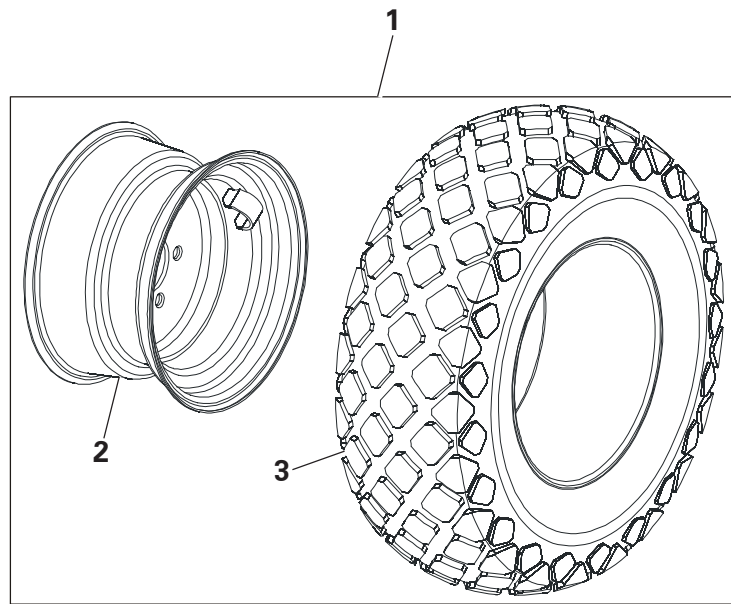
Item	Part No.	Description	Qty	U/M
1	T16477	SET SCREW	1.0	EA
2	T13911	WASHER	2.0	EA
3	T10431	NUT	1.0	EA
4	T100156	TOWING PIN	1.0	EA
5	T6075	R CLIP	1.0	EA
6	T14285	RETAINING CHAIN	1.0	EA
7	T17508	CHAIN SLEEVE	1.0	EA
8	T15830	HEAVY DUTY WASHER	2.0	EA
9	T11315	BOLT	2.0	EA
10	T100867	WASHER	4.0	EA
11	T14910	PHILIDAS NUT	2.0	EA
12	T100155	TOWING JAW	1.0	EA
13	T101841	TOWING BRKT BACKING PLATE	1.0	EA
14	T100470	SET SCREW	2.0	EA
15	T19809	WASHER	4.0	EA
16	T14283	PHILIDAS NUT	2.0	EA
17	T102070	TOWING SAFETY DECAL 1 TONNE	1.0	EA

WARNING
 Always place 500 kg ballast load in skip before towing
 Maximum tow bar pull is 500 kg
 Maximum tow bar vertical load is 50 kg
 Towing must not be carried out on sloping or uneven ground
 Always use Thwaites-approved towing pin

17

MACH1179X - WHEEL ASSY GRASSLAND

Item	Part No.	Description	Qty	U/M
1	T102313	WHEEL & GRASSLAND TYRE ASSY	4.0	EA
2	T101361	WHEEL RIM	1.0	EA
3	T18325	TYRE	1.0	EA



KIT 292 - TRANSFER SET 1 TONNE (UK)

UK destination - 1 Tonne 101885

1000 KG

CAUTION
DO NOT operate this machine unless you have read and understood the safety and operational instructions contained in the Operator's Manual, and have been trained in the safe operation of this Thwaites Dumpster.

CAUTION
DO NOT operate this machine unless you have read and understood the safety and operational instructions contained in the Operator's Manual, and have been trained in the safe operation of this Thwaites Dumpster.

GRADIENTS
DO NOT exceed maximum stated

20% max, 25% max, 18% max

20% max, 20% max, 18% max

102.8

84

170 Nm (125lb f ft) 3.0 Bar (44 psi)

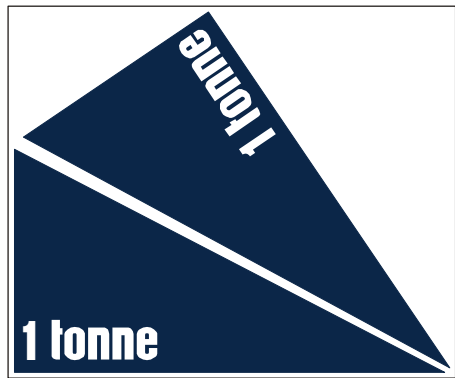
170 Nm (125lb f ft) 3.0 Bar (44 psi)

170 Nm (125lb f ft) 3.0 Bar (44 psi)

170 Nm (125lb f ft) 3.0 Bar (44 psi)

HYDRAULIC OIL, H₂O, ENGINE OIL, DIESEL, AIR CLEANER, ISOLATOR SWITCH

Item	Part No.	Description	Qty	U/M
1	T101885	SAFETY DECALS	1.0	EA
2	T100651	TAPE 24mm BLUE	3.0	M
3	T100658	RECTANGULAR SKIP DECAL	2.0	EA
4	T101888	ENGINE COVER LABEL	1.0	PR



KIT 230 - TRANSFER SET 1 TONNE (CON)

Export destination - 1 Tonne 101886

1000 KG

170 Nm (125lb f ft) 3.0 Bar (44 psi)
 170 Nm (125lb f ft) 3.0 Bar (44 psi)
 170 Nm (125lb f ft) 3.0 Bar (44 psi)
 170 Nm (125lb f ft) 3.0 Bar (44 psi)

102 dB
 84

FRENCH
⚠ PRÉCAUTION
 NE PAS conduire cette machine avant d'avoir lu et compris le contenu de sécurité et les conseils d'utilisation contenus dans le manuel d'instructions et d'avoir été préalablement formé à la conduite de ce dumpers Thwaites.
⚠ PRÉCAUTION
 NE PAS conduire cette machine avant d'avoir lu et compris le contenu de sécurité et les conseils d'utilisation contenus dans le manuel d'instructions et d'avoir été préalablement formé à la conduite de ce dumper Thwaites.

SPANISH
⚠ PRECAUCIÓN
 No utilizar esta máquina a menos que se hayan leído y entendido las instrucciones de seguridad y uso contenidas en el manual del operador y haya sido formado en la utilización segura de este dumper Thwaites.
⚠ PRECAUCIÓN
 No utilizar esta máquina a menos que se hayan leído y entendido las instrucciones de seguridad y uso contenidas en el manual del operador y haya sido formado en la utilización segura de este dumper Thwaites.

DANISH
⚠ PAS PÅ!
 BETJENDE PÅSE MED MASKINEN UDEN AT HAVE LÆST OG FORSTÅET INDHOLDET OG DET ERHVERVSMÅNEDLIGE FOR MÅNEDER, JØR PÅSE MASKINEN UDEN AT HAVE TILNÆT TILSØGT VEDSÆT.
⚠ PAS PÅ!
 BETJENDE PÅSE MED MASKINEN UDEN AT HAVE LÆST OG FORSTÅET INDHOLDET OG DET ERHVERVSMÅNEDLIGE FOR MÅNEDER, JØR PÅSE MASKINEN UDEN AT HAVE TILNÆT TILSØGT VEDSÆT.

NORWEGIAN
⚠ OBS!
 Ikke kjør betjen maskinen uten å ha lest og forstått sikkerhets- og instruksjonsboken for maskinen. Ikke kjør maskinen uten forutgående opplæring.
⚠ OBS!
 Ikke kjør betjen maskinen uten å ha lest og forstått sikkerhets- og instruksjonsboken for maskinen. Ikke kjør maskinen uten forutgående opplæring.

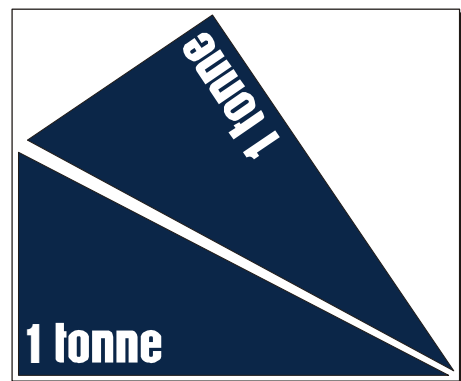
GERMAN
⚠ WARNUNG
 Diese Maschine darf NICHT bedient werden, solange sie nicht die Betriebs- und Bedienungsanleitung in der Betriebsanleitung gelesen und verstanden haben und sie nicht durch vorherigen Besuch des Thwaites Dumpers verurteilt gemacht wurden.
⚠ WARNUNG
 Diese Maschine darf NICHT bedient werden, solange sie nicht die Betriebs- und Bedienungsanleitung in der Betriebsanleitung gelesen und verstanden haben und sie nicht durch vorherigen Besuch des Thwaites Dumpers verurteilt gemacht wurden.

DUTCH
⚠ LET OP
 Lees eerst de bedienings- en veiligheidsinstructies in het bedieningshandleidboek, alvorens U met de Thwaites dumper gaat werken.
⚠ LET OP
 Lees eerst de bedienings- en veiligheidsinstructies in het bedieningshandleidboek, alvorens U met de Thwaites dumper gaat werken.

1



2



4

3

Item	Part No.	Description	Qty	U/M
1	T101886	SAFETY DECALS (CON)	1.0	EA
2	T100651	TAPE 24mm BLUE	3.0	M
3	T100658	RECTANGULAR SKIP DECAL	2.0	EA
4	T101888	ENGINE COVER LABEL	1.0	PR

MODIFIED AND ADDITIONAL PARTS

Old Part No.	Qty	Description	Page	Item	Prefix	New Part No.
T12694	1.0	SET SCREW	16	-	-	DELETED
T12973	2.0	WASHER	16	-	-	DELETED
T13457	1.0	NYLOC NUT	16	-	-	DELETED
T102069	1.0	LIMIT SWITCH LEVER	16	-	-	DELETED
T102067	1.0	LIMIT SWITCH MOUNTING	16	-	-	DELETED
T102071	1.0	HARNESS	20	19	2	DELETED
T101493	1.0	DASH PANEL ASSEMBLY	7	1	2	T102119
T101788	1.0	THROTTLE PEDAL	16	6	-	T102068
T9775	1.0	NUT	16	2	-	ADDED
T13321	2.0	SET SCREW	16	26	-	ADDED
T11440	4.0	WASHER	16	27	-	ADDED
T13289	2.0	MICRO SWITCH BACKING PLATE	16	28	-	ADDED
T100912	1.0	MICRO SWITCH	16	29	-	ADDED
T11439	2.0	SPRING WASHER	16	30	-	ADDED
T11447	2.0	NUT	16	31	-	ADDED
T14277	1.0	BOLT	16	32	-	ADDED
T16759	2.0	BLANKING GROMMET	25	10	-	T17094
T13442	2.0	SOCKET HEAD CAP SCREW	26	33	-	T16770
T13911	8.0	FLAT WASHER	14	14	-	DELETED
T16506	8.0	BOLT	14	24	-	T100895
T100942	1.0	TIMER	7	10	-	T102146
T15819	2.0	PLAIN WASHER	14	16	-	T9345
T12973	1.0	PLAIN WASHER	14	18	-	DELETED
T11186	1.0	TEE PIECE	25	14	-	T102341
T101636	1.0	ADAPTOR	25	15	-	T102329
T101539	4.0	ENGINE MOUNTING	11	13	3	T102405
T101889	1.0	HOSE	33	11	-	T102009
T101180	1.0	RADIATOR	33	12	-	T102402
T101707	1.0	RADIATOR SEAL	34	10	4	T102275
T101266	2.0	SEAL	34	11	4	DELETED
T101708	1.0	RADIATOR SEAL	34	12	4	DELETED
T101491	1.0	RADIATOR MOUNTING	34	14	4	T102343
T102094	1.0	SEAL SUPPORT PLATE	34	16	4	DELETED

MODIFIED AND ADDITIONAL PARTS

Old Part No.	Qty	Description	Page	Item	Prefix	New Part No.
T102119	1.0	DASH PANEL ASSEMBLY	7	1	5	T102458
T102146	1.0	TIMER	7	10	5	T102456
T102118	1.0	WIRING HARNESS	20	5	5	T102457
T52437	1.0	FILLER CAP CHAIN	17	8	-	DELETED
T101536	1.0	REAR PANEL	12	22	6	T102512
T101360	1.0	ENGINE	27	1	6	T102520
T53250	1.0	V BELT	27	14	6	T52688
T102458	1.0	DASH PANEL ASSEMBLY	7	1	7	T102848
T101467	1.0	DASH PANEL	7	7	7	T102847
T101131	2.0	CIRCUIT BREAKER 18AMP	7	8	7	T102845
T101133	2.0	CIRCUIT BREAKER SPLASHGUARD	7	9	7	T102846
T53828	1.0	'O' RING	26	36	-	ADDED
T101092	2.0	BATTERY CLAMP	19	10	-	T102877
T9928	6.0	DURLOCK NUT	22	2	-	ADDED
T101783	1.0	SEAT	8	1	8	T103042
T51918	1.0	UPHOLSTERED BACK REST	8	2	8	T53830
T52524	1.0	SEAT CUSHION VINYL	8	3	8	T53831
ADDED	1.0	BOOT	8	4	8	T53845
ADDED	1.0	DAMPER KIT	8	5	8	T53832
T53210	1.0	SEAT BELT	8	6	8	T53887
T51929	1.0	SLIDE RAIL KIT	8	7	8	T53829
ADDED	1.0	PLAIN WASHER	8	9	8	T12973
ADDED	1.0	NYLOC NUT	8	10	8	T13457
T51919	1.0	PLATE	8	-	8	DELETED
T51920	1.0	SCREW SET	8	-	8	DELETED
T51928	1.0	FRAME KIT	8	-	8	DELETED
T51936	1.0	BLANKING COVERS	8	-	8	DELETED
T52525	1.0	SEAT PAN	8	-	8	DELETED
T52530	1.0	OUTER SWING ARM	8	-	8	DELETED
T51927	1.0	SCREW & WASHER SET	8	-	8	DELETED
T52529	1.0	INNER SWING ARM	8	-	8	DELETED
T51930	1.0	SLIDE RAIL	8	-	8	DELETED

MODIFIED AND ADDITIONAL PARTS

Old Part No.	Qty	Description	Page	Item	Prefix	New Part No.
T52531	1.0	SHOCK ABSORBER	8	-	8	DELETED
T52526	1.0	REPAIR KIT	8	-	8	DELETED
T52527	1.0	SUSPENSION COVER	8	-	8	DELETED
T51921	1.0	LEVER	8	-	8	DELETED
T12971	2.0	BUTTON HEAD SCREW	8	-	8	DELETED
T9345	4.0	WASHER	8	-	8	DELETED
T12972	2.0	SPRING WASHER	8	-	8	DELETED
T101517	1.0	BONNET	9	22	8	T103042

MODIFIED AND ADDITIONAL PARTS

Old Part No.	Qty	Description	Page	Item	Prefix	New Part No.
--------------	-----	-------------	------	------	--------	--------------

MODIFIED AND ADDITIONAL PARTS

Old Part No.	Qty	Description	Page	Item	Prefix	New Part No.
--------------	-----	-------------	------	------	--------	--------------

Service and Warranty

Thwaites give a warranty which, subject to certain conditions, gives an assurance as to the quality of their product.

The Thwaites warranty states:-

In the manufacture of Thwaites machines we endeavour to ensure that only the best workmanship and materials are used. Consequently, provided:-

1. The machine has been properly used in accordance with our recommendations and,
2. That no alterations have been made to the machine without prior written approval and,
3. That the machine has been maintained, serviced and lubricated in accordance with our recommendations and,
4. That Thwaites Warranty Certificate and/or New Machine Delivery Report has been completed and received by Thwaites within one month of delivery to the user.
5. That Thwaites receive a correctly completed Warranty Claim form within thirty days of the failure occurring.
6. **UK**
That the alleged defective parts are returned to Thwaites within 6 weeks of date of failure.
7. **All other territories**
That unless otherwise instructed the alleged defective parts are to be stored for inspection for a 6 month period from date of failure.

We will examine the alleged defective part and if we are reasonably satisfied that any defect is solely due to bad workmanship or materials, we will at our cost and at our option either repair any defective part or supply a replacement part in full discharge of all obligations upon us.

This warranty does not, however, extend to reconditioned or second-hand machines. For the avoidance of doubt, we will not entertain any other claims of a direct or consequential nature of whatsoever description and our responsibility is limited to the above.

The above warranty shall in no way detract from your statutory rights

Warranty

It is important to use only genuine Thwaites Limited spare parts and to adhere strictly to the conditions of operation and maintenance laid down by Thwaites Limited.

Your warranty may be invalidated if you do not comply with the above recommendations.