



A TEREX BRAND

Parts Manual

Serial Number Range

GS-1530

from GS3005A-76000 to
GS3010A-109999

GS-1532

from GS3005B-76000 to
GS3009B-98941

GS-1930

from GS3008C-101 to
GS3011C-9999

GS-1932

from GS3205-75407 to
GS3211A-109999

GS-2032

from GS3208C-101 to
GS3212C-9999

GS-2632

from GS4605-75438 to
GS4611A-109999

GS-3232

from GS4609C-101 to
GS4612C-9999

GS-2046

GS-2646

GS-3246

Part No. 97384

Rev J4

December 2018

Technical Publications

Genie has endeavored to deliver the highest degree of accuracy possible. However, continuous improvement of our products is a Genie policy. Therefore, product specifications are subject to change without notice.

Readers are encouraged to notify Genie of errors and send in suggestions for improvement. All communications will be carefully considered for future printings of this and all other manuals.

Contact Us:

Internet: www.genielift.com
e-mail: awp.techpub@terex.com

Find a Manual for this Model


Go to <http://www.genielift.com>

Use the links to locate Operator's, Parts, Maintenance, and Service and Repair Manuals.

Copyright © 1997 by Terex Corporation

97384 Rev J February 2018
Third Edition, Ninth Printing

Genie is a registered trademark of Terex South Dakota, Inc. in the USA and many other countries. "GS" is a trademark of Terex South Dakota, Inc.

 Printed on recycled paper

Genie
A TEREX BRAND

Model: GS-1930
 Serial number: GS3005A-12345
 Model year: 2005 Manufacture date: 04/12/05
 Electrical schematic number: ES0141
 Machine unladen weight: 2,714 lb / 1,231 N

Rated work load (including occupants): 500 lb / 227 kg
 Maximum allowable inclination of the chassis:
 N/A

Gradeability: N/A

Maximum allowable side force : 100 lb / 445 N
 Maximum number of platform occupants:2

Country of manufacture: USA
 This machine complies with:
 ANSI A92.6
 B354.2-01

Terex South Dakota, Inc.
 18340 NE 76th Street
 Redmond, WA 98052
 USA


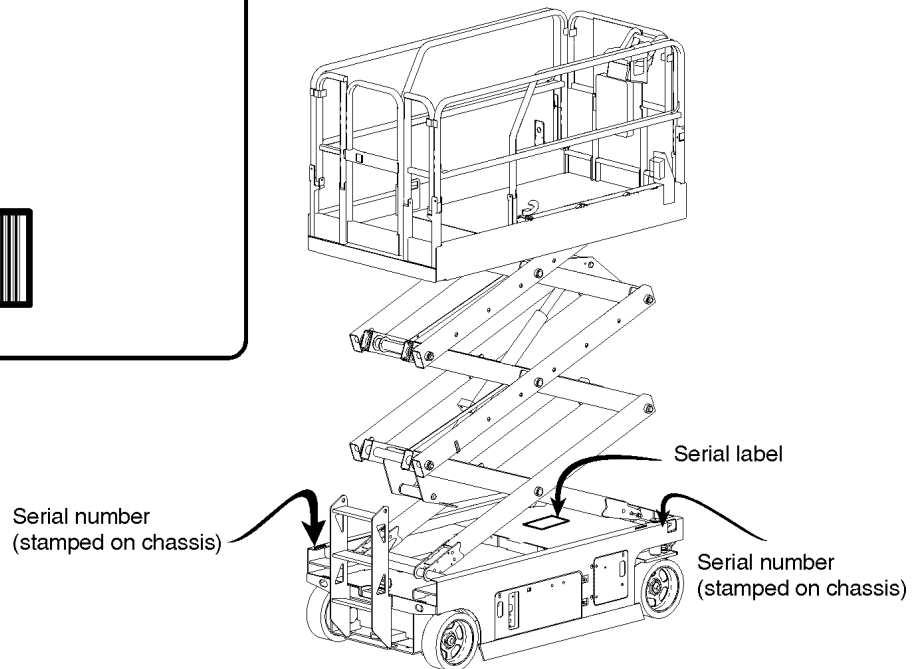
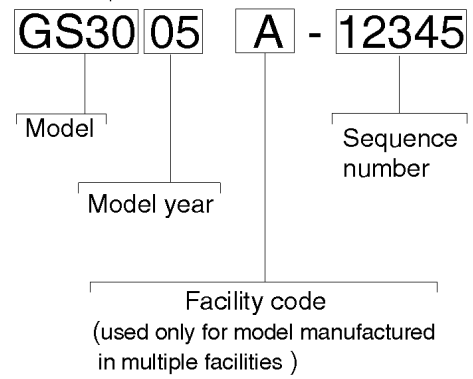



Table of Contents

This manual is updated frequently. If you have a printed manual, you can keep it up to date by downloading new figures from the Genie website at www.genielift.com. For the most up-to-date parts information, visit the Parts Lookup System on the Genie website at www.genielift.com.

How to Read Your Serial Number.....	3
Parts Stocking List.....	7
How to Order Parts.....	8
Service Parts Fax Order Form.....	9

Electronic Version

Click on any page number to view the figure.

100 Decals

101.1 Decals with Words, GS-1530/1532/1930/1932 (North America and Australia) (from SN GS3005A-76000 to GS3007A-91731) and (from GS3005B-76000 to GS3007B-88079).....	10
102.1 Decals with Symbols, GS-1530/1930 (Asia and South America) (from SN GS3005A-76000 to GS3007A-91731) and (from GS3005B-76000 to GS3007B-88079).....	14
103.1 Decals with Words, GS-1530/1930 (North America) (from SN GS3007A-91732 to GS3010A-109999) and (from GS3007B-88080 to GS3009B-98941).....	16
104.1 Decals with Symbols, GS-1530/1930 (Asia and South America) (from SN GS3007A-91732 to GS3010A-10999 and GS3007B-88080 to GS3009B-98941).....	20
105.1 Decals with Words, GS-1530/1532/1930/1932 (Australia) (from SN GS3007A-91732 to GS3011A-102095) and (from GS3007B-88080 to GS3009B-98941).....	22
106.1 Decals with Words, GS-1530/1532/1930/1932 (Australia) (from SN GS3011A-102096 to GS3010A-109999).....	26
107.1 Decals with Symbols, GS-1530/1532/1930/1932 (Europe) CE Models (from SN GS3005A-76000 to GS3007A-91731) and (from GS3005B-76000 to GS3007B-88079).....	30
108.1 Decals with Symbols, GS-1530/1532/1930/1932 (Europe) (from SN GS3007A-91732 to GS3010A-109999; from GS3007B-88080; and from GS3008C-101 to GS3011C-9999).....	32
109.1 Decals with Words, GS-2032/2632 (North America and Australia) (from SN GS3205-75407 to GS3207-87723).....	34
110.1 Decals with Symbols, GS-2032/2632 (Asia and South America) (from SN GS3205-75407 to GS3207-87723).....	38
111.1 Decals with Words, 2032/2632 (North America) (from SN 07-87724 to 09-94602; and from 09A-94603 to 11A-109999) GS3232 (from SN 84867 to 11A-109999).....	40

112.1 Decals with Symbols, GS-2032/2632/3232 (Asia and South America) (from SN GS3207-87724 to GS3211A-109999).....	44
113.1 Decals with Words, GS-2032/2632/3232 (Australia) (from SN GS3207-87724 to GS3209-94602; and from GS3209A-94603 to GS3211A-96461).....	46
114.1 Decals with Words, GS-2032/2632/3232 (Australia) (from SN GS3211A-96462 to GS3211A-109999).....	50
115.1 Decals with Symbols, GS-2032/2632 (Europe) (from SN GS3205-75407 to GS3207-87723).....	54
116.1 Decals with Symbols, GS-2032/2632/3232 (Europe) (from SN GS3207-87724 to GS3209-94602; from GS3209A-94603; and from GS3208C-101 TO GS3212C-9999).....	56
117.1 Decals with Words, GS-2046/2646/3246 (North America and Australia) (from SN GS4605-75438 to GS4607-87508).....	58
118.1 Decals with Symbols, GS-2046/2646/3246 (Asia and South America) (from SN GS4605-75438 to GS4607A-87508).....	62
119.1 Decals with Words, GS-2046/2646/3246 (North America) (from SN GS4607-87509 to GS4611A-109999).....	64
120.1 Decals with Symbols, GS-2046/2646/3246 (Asia and South America) (from SN GS4607-87509 to GS4611A-109999).....	68
121.1 Decals with Words, GS-2046/2646/3246 (Australia) (from SN GS4607-87509 to GS4611A-96921).....	70
122.1 Decals with Words, GS-2046/2646/3246 (Australia) (from SN GS4611A-96922 to GS4611A-109999).....	72
123.1 Decals with Symbols, GS-2046/2646/3246 (Europe) (from SN GS4605-75438 to GS4607-87508).....	74
124.1 Decals with Symbols, GS-2046/2646/3246 (Europe) (from SN GS4607-87509 to GS4611A-109999; and from GS4609C-101 to GS4612C-9999).....	76

200 Drive Chassis Components

201.1 Steer Linkage and Wheels (GS-1530, GS-1532, GS-1930, GS-1932).....	78
202.1 Steer Linkage and Wheels, GS-2032, GS-2632, GS-3232, GS-2046, GS-2646, GS-3246.....	80
203.1 Non-steer Axle Installation, All Models.....	82
204.1 Ground Controls and Level Sensor Installation, All Models.....	86
205.1 Pothole Protection Assembly, GS-1530, GS-1532, GS-1930, GS-1932.....	88
206.1 Pothole Protection Assembly, GS-2032, GS-2632, GS-3232, GS-2046, GS-2646, GS-3246.....	90
207.1 Battery Pack Module (to SN GS3007A-90292, GS3007B-85535, GS3207-85959, GS4607-85667).....	92

207.2 Battery Pack Module (from SN GS3007A-90293 to GS3011A-110827, from GS3007B-85536, from GS3008C-101 to GS3012C-10009, from GS3207-85960 to GS3211A-97903, from GS3208C-101 to GS3212C-1386, from GS4607-85668 to GS4611A-97982, and from GS4609C-101 to G.....)	94	405.1 Power to Platform.....	160
207.3 Battery Pack Module (from SN GS3011A-110828, from GS3012C-10010, from SN GS3211A-97904, from GS3212C-1387, from GS4611A-97983, and from GS4612C-1386).....	96	406.1 Platform Control Box.....	162
208.1 Battery Charger.....	98	407.1 Joystick Controller.....	164
209.1 Power Unit Module, All Models (to SN GS3007A-90292, GS3007B-85535, GS3207-85959, and GS4607-85667)....	100	500 Hydraulic Components	
209.2 Power Unit Module (from SN GS3007A-90293, GS-3007B-85536, GS-3008C-101, GS3207-85960, GS3208C-101, GS4607-85668, and GS4609C-101).....	102	501.1 Hydraulic Components.....	166
210.1 Ground Controls, All Models.....	104	502.1 Function Manifold, GS-1530, GS-1532, GS-1930, GS-1932.....	168
211.1 Electrical Wiring and Power Cables (models without contactor).....	106	502.2 Check Valve Manifold, GS-1530, GS-1532, GS-1930, GS-1932.....	170
211.2 Electrical Wiring and Power Cables (models with contactor).....	110	503.1 Function Manifold, GS-2032, GS-2632, GS-2046, GS2646, GS-3232, GS-3246.....	172
212.1 Outrigger Components, GS-3232.....	114	504.1 Brake Release Hand Pump Manifold.....	174
213.1 Outrigger Control Box, GS-3232.....	116	505.1 Hydraulic Power Unit, All Models.....	176
214.1 Function Manifold and Accumulator Components, GS-1530, GS-1532, GS-1930, GS-1932.....	118	506.1 Lift Cylinder Assembly, All Models.....	178
214.2 Function Manifold and Accumulator Components, GS-2032, GS-2632, GS-2046, GS-2646, GS-3246.....	120	507.1 Hydraulic Hoses and Fittings, GS-1530, GS-1532, GS-1930, GS-1932.....	180
214.3 Function Manifold and Accumulator Components, GS-3232.....	122	508.1 Hydraulic Hoses and Fittings, GS-2032, GS-2632, GS-3232, GS-2046, GS-2646, GS-3246.....	182
300 Scissor Components		509.1 Outrigger Cylinders, Front and Rear, GS-3232.....	186
301.1 Scissor Assembly Installation.....	124	510.1 Outrigger Function Manifold, GS-3232.....	188
302.1 Scissor Assembly, GS-1530, GS-1532 (to serial numbers GS3006A-84657 AND GS3006B-80108).....	126	511.1 Hydraulic Hoses and Fittings, Outriggers, GS-3232.....	190
302.2 Scissor Assembly, GS-1530, GS-1532 (from SNs GS3006A-84658, GS3006B-80109, and GS3008C-101)....	128	600 Accessories	
303.1 Scissor Assembly, GS-1930, GS-1932, (to serial numbers GS3006A-84657 and GS3006B-80108).....	130	601.1 Alarm, Horn and Flashing Beacons.....	192
303.2 Scissor Assembly, GS-1930, GS-1932 (from SNs GS3006A-84658, GS3006B-80109 and GS3008C-101)....	132	602.1 Air Line to Platform.....	194
304.1 Scissor Assembly, GS-2032, GS-2046.....	134	603.1 Platform Work Light.....	196
305.1 Scissor Assembly, GS-2632, GS-2646.....	136	604.1 Voltage Inverter, GS-1530, GS-1532, GS-1930.....	198
306.1 Scissor Assembly, GS-3232, GS-3246.....	140	605.1 Voltage Inverter, GS-2032, GS-2632, GS-2046, GS-2646, GS-3232, GS-3246.....	200
400 Platform Components		606.1 Pipe Cradle Assembly, GS-2046, GS-2646, GS-3246.....	202
401.1 Platform Components, GS-1530, GS-1532, GS-1930, GS-1932.....	144	700 Platform Overload Components	
402.1 Platform Components, GS-2032, GS-2632, GS-3232.....	150	701.1 Platform Overload, GS-1530, GS-1532, GS-1930, GS-1932.....	204
403.1 Platform Components, GS-2046, GS-2646, GS-3246.....	154	702.1 Platform Overload, GS-2032, GS-2632, GS-3232, GS-2046, GS-2646, GS-3246.....	206
404.1 Platform Gates, GS-1530, GS-1532, GS-1930, GS-1932.....	158	Indices	
		Part Number Index.....	208
		Part Description Index.....	214
		Cross References	
		Fittings Cross Reference.....	224

Required Parts

The following parts are required to perform maintenance procedures as outlined in the *Genie GS-30, GS-32 and GS-46 Service Manual*.

Description	Part No.
Filter Element, 10 Micron.....	44788
Dielectric Grease.....	66399
Chevron Ultra-duty Grease (Lithium) or equivalent, EP NLGI 1.....(source locally)	
Breather Cap, Hydraulic Tank.....	78546
Cotter Pin, Castle Nut, Steer-end Wheels, GS-32, GS-46.....	13635-10
Cotter Pin, Castle Nut, Steer-end Wheels, GS-30 and Non-steer end Wheels, All Models	42079

Recommended Parts

Description	Part No.
Genie Blue Paint, 1 Gallon	32150
Genie Blue Paint, 12 Ounce Aerosol.....	1484
Genie Gray Paint, 1 Gallon.....	32151
Genie Gray Paint, 12 Ounce Aerosol	1268

Recommended Parts

Description	Part No.
Genie Blue Paint, 1 Gallon	32150
Genie Blue Paint, 12 Ounce Aerosol	1484
Genie Gray Paint, 1 Gallon	32151
Genie Gray Paint, 12 Ounce Aerosol.....	1268

Genie also offers the following support documents:

EMI Safety Manual.....	27581
Manual of Responsibilities ANSI A92.6.....	44163

How to Order Parts

Please be prepared with the following information when ordering replacement parts for your Terex or Genie product.

- Machine model number
- Machine serial number
- Part number
- Part description and quantity
- Purchase order number
- "Ship to" address
- Desired method of shipment
- Name and telephone number of the authorized distributor in your area

Use the Service Parts Fax Order Form on the next page and fax your order to our Parts Department.

If you don't know the name of your authorized distributor, or if your area is not currently serviced by an authorized distributor, please call Terex or Genie Industries.

Machine Information

Model

Serial Number

Date of Purchase

Authorized Genie Distributor

Phone Number

North America

Telephone (425)881-1800

Toll Free (800)536-1800 in US and Canada

Fax (425)556-8659

Toll Free fax (888)274-6192

Email AWP.PartsSalesPO@terex.com

<http://genielift.com/en>

EMEAR (Europe, Middle East, Africa and Russia)

Telephone (31)(165)519 313

Fax (31)(165)511 148

<http://genielift.co.uk>

Asia Pacific (Genie Singapore)

Telephone +65 6692 7777

Fax +65 6261 8893

<http://genielift.com.sg/>

Australia

Telephone (61)(7)3456 4444

Fax (61)(7)3456 4466

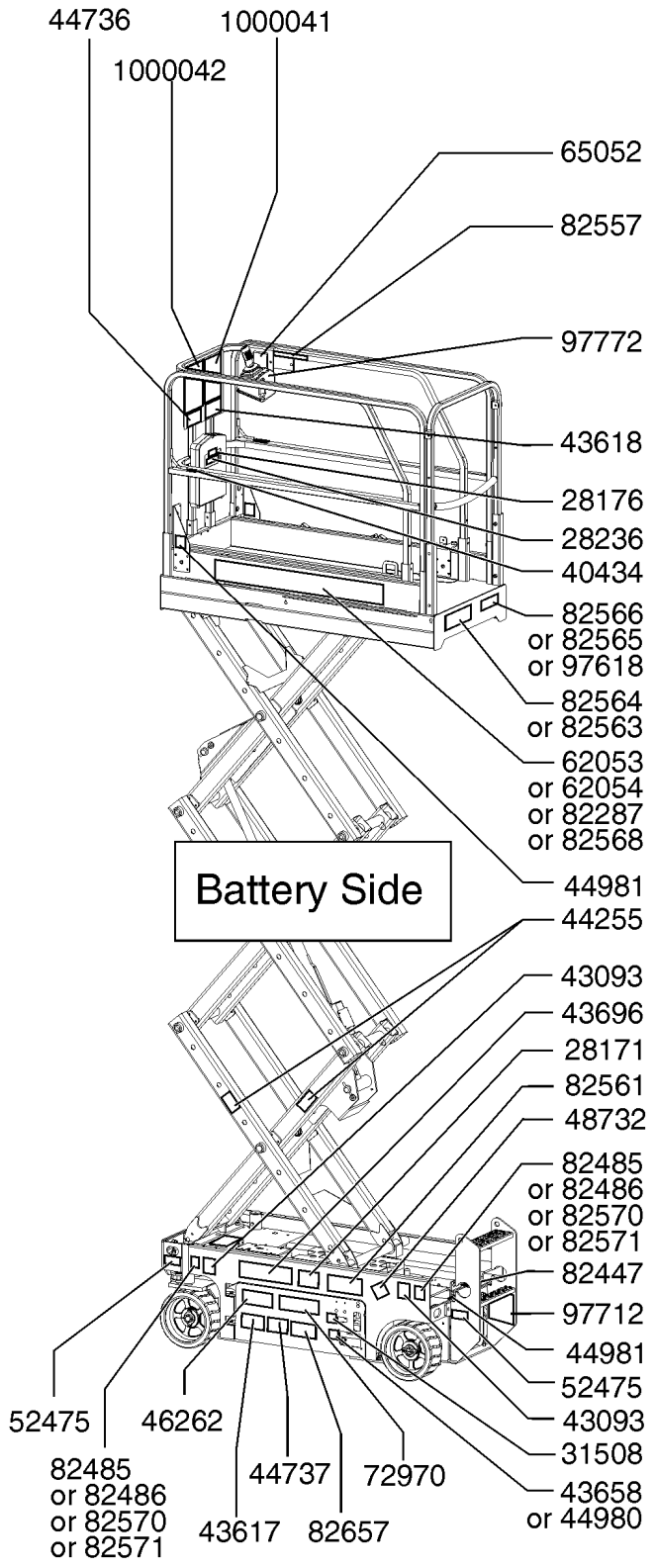
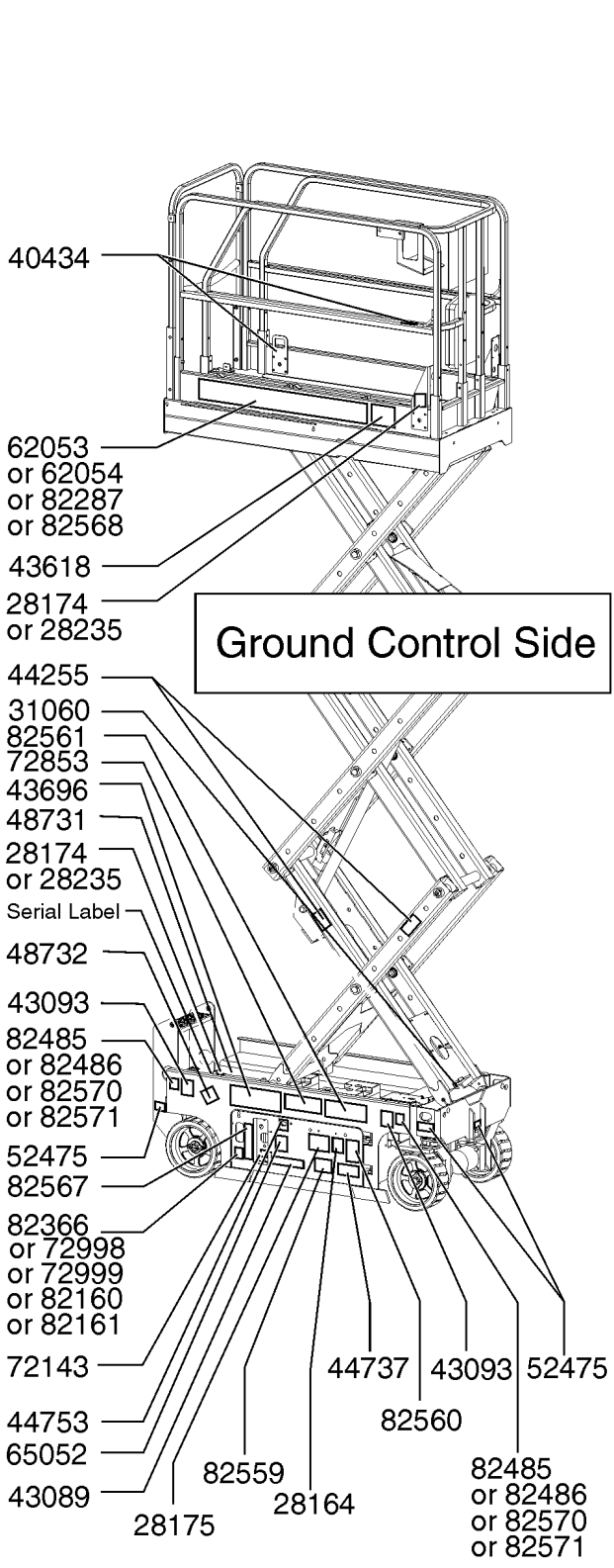
<http://genielift.com.au>

South America

Telephone (55)(11)4082 5600

Fax (55)(11)4082 5630

101.1 Decals with Words, GS-1530/1532/1930/1932 (North America and Australia) (from SN GS3005A-76000 to GS3007A-91731) and (from GS3005B-76000 to GS3007B-88079)



101.1 Decals with Words, GS-1530/1532/1930/1932 (North America and Australia) (from SN GS3005A-76000 to GS3007A-91731) and (from GS3005B-76000 to GS3007B-88079)

Item	Part No.	Description	Qty.	Item	Part No.	Description	Qty.
A	233220GT	DECAL KIT,1530 PLAT,WRD,ANSI <i>Platform only kit for ANSI GS-1530 (order platform controls decal separately)</i>		16	43658GT	DECAL,LABEL,PWR TO CHARGR 230V.....1	
B	233221GT	DECAL KIT,1530 COMP,WRD,ANSI <i>Complete kit for ANSI GS-1530</i>		17	43696GT	DECAL,DANGER,ELEC HAZARD,GS.....2	
C	234939GT	DECAL KIT,1530 PLAT,WRD,AUST <i>Platform only kit for Australial GS-1530</i>		18	44255GT	DECAL,DANGER,CRUSHING HAZARD.....4	
D	234940GT	DECAL KIT,1530 COMP,WRD,AUST <i>Complete kit for Australia GS-1530</i>		19	44736GT	DECAL,DANGER,TIP-OVER,TILT.....1	
E	233222GT	DECAL KIT,1532 PLAT,WRD,AUS <i>Platform only kit for Australial GS-1532</i>		20	44737GT	DECAL DANGER TIP OVER TRAYS.....2	
F	233223GT	DECAL KIT,1532 COMP,WRD,AUS <i>Complete kit for Australia GS-1532</i>		21	44753GT	DECAL, LABEL, LED READOUT.....1	
G	233224GT	DECAL KIT, 1930 PLAT,WRD,ANSI <i>Platform only kit for ANSI GS-1930 (order platform controls decal separately)</i>		22	44980GT	DECAL,LABEL,PWR TO CHARGR 115V.....1	
H	233225GT	DECAL KIT,1930 COMP,WRD,ANSI <i>Complete kit for ANSI GS-1930</i>		23	44981GT	DECAL,LABEL, AIR LINE 110 PSI.....2	
I	234941GT	DECAL KIT,1930 PLAT.WORD,AUSTR <i>Platform only kit for Australial GS-1930</i>		24	46262GT	DECAL,DANGER,BATTERY SAFETY.....1	
J	234942GT	DECAL KIT,1930 COMP.WORD,AUSTR <i>Complete kit for Australia GS-1930</i>		27	52475GT	DECAL,LABEL,TRANSPORT TIEDOWN*.....5	
K	233226GT	DECAL KIT,1932 PLAT,WRD,AUS <i>Platform only kit for Australial GS-1932</i>		28	62053GT	DECAL,COSMETIC,GENIE GS-1530**...2	
L	233227GT	DECAL KIT,1932 COMP,WRD,AUS <i>Complete kit for Australia GS-1932</i>		29	65052GT	DECAL,LABEL,FAULT CODES.....2	
--				30	62054GT	DECAL,COSMETIC,GENIE GS-1930**...1	
1	28164GT	DECAL,NOTICE,HAZARDOUS MAT'LS*.....1		31	72143GT	DECAL,EMERGENCY STOP,GR.....1	
2	28171GT	DECAL,DANGER,NO SMOKING ***.....1		32	72853GT	DECAL,DANGER,IMPROPER USE HAZ.....1	
3	28174GT	DECAL, POWER TO PLATFORM 230V**.....2		33	72970GT	DECAL,INSTRUCTIONS-CHARGER OP.....1	
4	28175GT	DECAL,WARNING-COMPART ACCESS.....1		34	72998GT	DECAL,LABEL,QUINTOLUBRIK.....1 <i>Models with Quintolub Hydraulid Oil Only</i>	
5	28176GT	DECAL,LABEL,MANUAL NOT HERE.....1		35	72999GT	DECAL,LABEL,PETRO CANADA***.....1 <i>Models with Petro Canada Hydraulid Oil Only</i>	
6	28235GT	DECAL,POWER TO PLATFORM 115V...2		36	82160GT	DECAL,LABEL,STATOIL HYDRA WAY1 <i>Models with Statoil Hydraulid Oil Only</i>	
7	28236GT	DECAL,WARN,IMPROPER OPERATION.....1		37	82161GT	DECAL,LABEL,UCON HYDROLUBE.....1 <i>Models with Ucon Hydrolube Hydraulid Oil Only</i>	
8	31060GT	DECAL,DANGER DO NOT ALTER SWTC.....1		38	82287GT	DECAL,COSMETIC,GENIE GS-1932.....2	
9	31508GT	DECAL,DANGER,ELECT HAZARD,PLUG.....1		39	82366GT	DECAL,CHEVRON RANDO HD.....1 <i>Models with Chevron Rando Hydraulid Oil Only</i>	
10	40434GT	DECAL,LANYARD ANCHORAGE POINT.....3		40	82447GT	DECAL, LABEL,AUX LOWERING.....1	
11	43089GT	DECAL,INSTRUCTIONS-OPER,GCP.....1		41	82485GT	DECAL,LABEL,WHEEL LOAD 1530.....4 <i>ANSI Models Only</i>	
12	43093GT	DECAL,LABEL,TIRE SPECS.....4		42	82486GT	DECAL,LABEL,WHEEL LOAD 1930.....4 <i>ANSI Models Only</i>	
13	43617GT	DECAL,DANGER,TIP-OVER,BATTERY..1		43	82557GT	DECAL,LABEL,PLAT CONT LOCATION.....1	
14	43618GT	DECAL, LABEL - DIRECTION ARROWS.....2		44	82558GT	DECAL,WARN,SKIN INJECTION HAZ*.....1	
15	43619GT	DECAL,LABEL,SAFETY ARM.....1		45	82559GT	DECAL,INSTRUCT-ANNUAL INSP REQ.....1	



101.1 Decals with Words, GS-1530/1532/1930/1932 (North America and Australia) (from SN GS3005A-76000 to GS3007A-91731) and (from GS3005B-76000 to GS3007B-88079)
(continued)

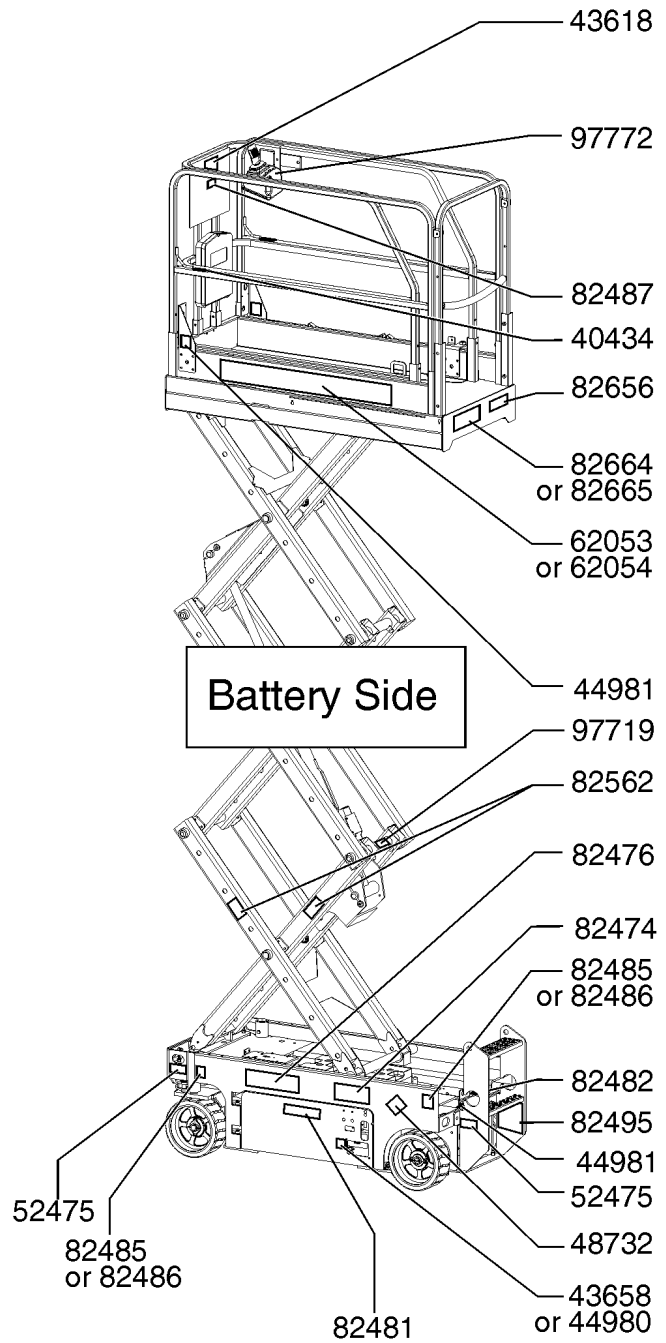
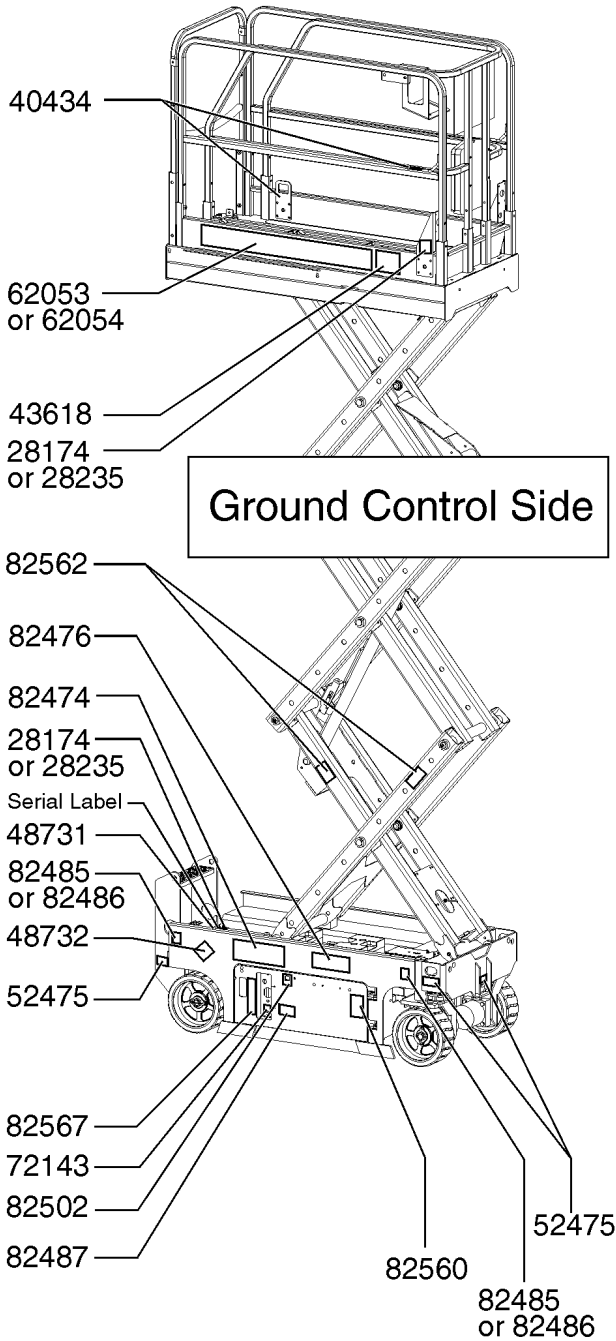
Item	Part No.	Description	Qty.
46	82560GT	DECAL,SYMBOL-SKIN INJECT HAZRD.....	1
47	82561GT	DECAL,DANGER-USE SAFETY ARM....	2
48	82563GT	DECAL,INSTR-MAX CAP 500 LBS..... <i>GS1930 and GS1932 models</i>	1
49	82564GT	DECAL,INSTR-MAX CAP 600LBS..... <i>GS1530 and GS1532 models</i>	1
50	82565GT	DECAL,INSTR-SIDE FRC,ANSI..... <i>ANSI Models Only</i>	1
51	82566GT	DECAL,INSTR-MANUAL FRC,AUS..... <i>GS-1532 and GS-1932 Australia Models Only</i>	1
52	82567GT	DECAL, GROUND CONTROL PANEL....	1
53	82568GT	DECAL,COSMETIC,GENIE GS-1532....	2
54	82570GT	DECAL,LABEL-WHEEL LOAD 1530/32..... <i>Australia Models Only</i>	4
55	82571GT	DECAL,LABEL,WHEEL LOAD 19XX.... <i>Australia Models Only</i>	4
56	82657GT	DECAL,INSTRUCT,BATTERY CONNECT.....	1
57	97618GT	DECAL,INSTR-INDOOR USE,AUS..... <i>GS-1530 and GS-1930 Australia Models Only</i>	1
58	97712GT	DECAL,DANGER,BRAKE REL SAFETY*.....	1
59	97772GT	DECAL,OVERLAY,PLAT CONTROLS***.....	1
60	1000041GT	DECAL,INSTRUCT-OP,GEN5,GS-30....	1
61	1000042GT	DECAL,DANGER,GENERAL SAFETY....	1



101.1 Decals with Words, GS-1530/1532/1930/1932 (North America and Australia) (from SN GS3005A-76000 to GS3007A-91731) and (from GS3005B-76000 to GS3007B-88079)
(continued)

This Page Intentionally Left Blank

102.1 Decals with Symbols, GS-1530/1930 (Asia and South America) (from SN GS3005A-76000 to GS3007A-91731) and (from GS3005B-76000 to GS3007B-88079)

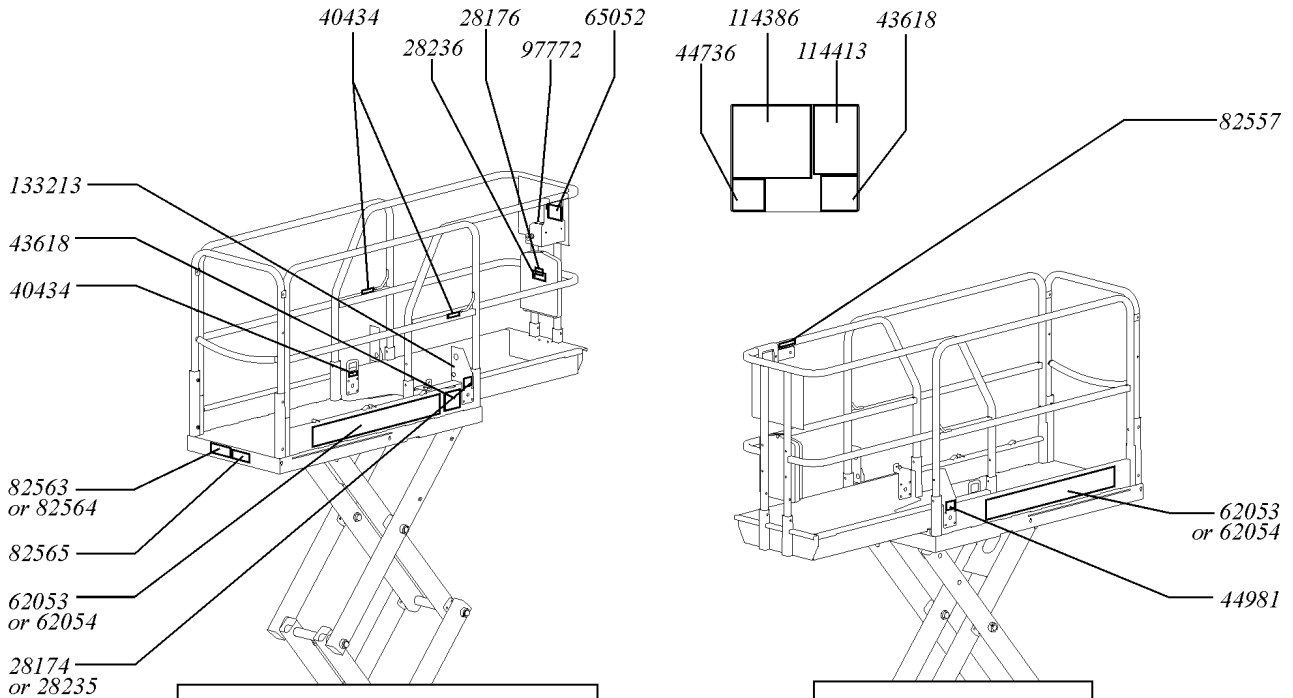


102.1 Decals with Symbols, GS-1530/1930 (Asia and South America) (from SN GS3005A-76000 to GS3007A-91731) and (from GS3005B-76000 to GS3007B-88079)

Item	Part No.	Description	Qty.	Item	Part No.	Description	Qty.
A	233228GT	DECAL KIT,1530 PLAT,SYM,ANSI <i>Platform only kit for ANSI GS-1530</i>		30	97772GT	DECAL,OVERLAY,PLAT CONTROLS***	1
B	233229GT	DECAL KIT,1530 COMP,SYM,ANSI <i>Complete kit for ANSI GS-1530</i>					
G	233230GT	DECAL KIT,1930 PLAT,SYM,ANSI <i>Platform only kit for ANSI GS-1930</i>					
H	233231GT	DECAL KIT,1930 COMP,SYM,ANSI <i>Complete kit for ANSI GS-1930</i>					
1	28174GT	DECAL, POWER TO PLATFORM 230V**	2				
2	28235GT	DECAL,POWER TO PLATFORM 115V...2					
3	40434GT	DECAL,LANYARD ANCHORAGE POINT.....	3				
4	43618GT	DECAL, LABEL - DIRECTION ARROWS.....	2				
5	43658GT	DECAL,LABEL,PWR TO CHARGR 230V.....	1				
6	44980GT	DECAL,LABEL,PWR TO CHARGR 115V.....	1				
7	44981GT	DECAL,LABEL, AIR LINE 110 PSI.....	2				
10	52475GT	DECAL,LABEL,TRANSPORT TIEDOWN*.....	5				
11	62053GT	DECAL,COSMETIC,GENIE GS-1530**...2					
12	62054GT	DECAL,COSMETIC,GENIE GS-1930**...2					
13	72143GT	DECAL,EMERGENCY STOP,GR.....	1				
14	82474GT	DECAL,SYMBOL-USE SAFETY ARM...2					
15	82476GT	DECAL,SYMBOL-ELEC HAZARD,GS....2					
16	82481GT	DECAL,SYMBOL-BATTERY SAFETY....1					
17	82482GT	DECAL,LABEL,AUX LOWERING.....	1				
18	82485GT	DECAL,LABEL,WHEEL LOAD 1530.....4					
19	82486GT	DECAL,LABEL,WHEEL LOAD 1930.....4					
20	82487GT	DECAL, SYMBOL - READ THE MANUAL.....	2				
21	82495GT	DECAL,SYMBOL-BRAKE REL SAFETY.....	1				
22	82496GT	DECAL,SYM-MAXCAP 500.....1 <i>For GS1930 Models Only</i>					
23	82501GT	DECAL,SYM-MAXCAP 600.....1 <i>For GS1530 Models Only</i>					
24	82502GT	DECAL,LABEL,LED READOUT.....	1				
25	82560GT	DECAL,SYMBOL-SKIN INJECT HAZRD.....	1				
26	82562GT	DECAL,SYMBOL-CRUSHING HAZARD.....	4				
27	82567GT	DECAL, GROUND CONTROL PANEL....1					
28	82656GT	DECAL,SYM-SIDE FORCE 445N.....1					
29	97719GT	DECAL, LABEL, SAFETY ARM SYMB....1					

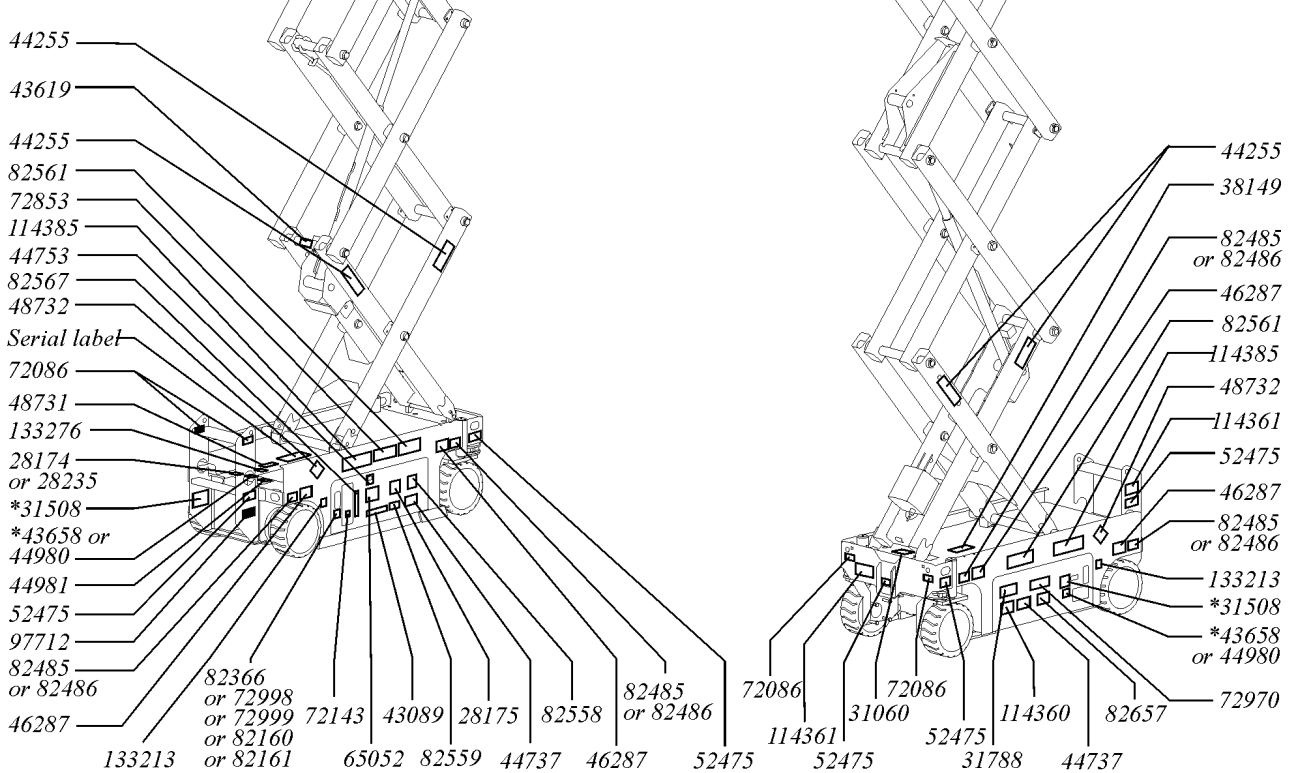


103.1 Decals with Words, GS-1530/1930 (North America) (from SN GS3007A-91732 to GS3010A-109999) and (from GS3007B-88080 to GS3009B-98941)



Ground Control Side

Battery Side



103.1 Decals with Words, GS-1530/1930 (North America) (from SN GS3007A-91732 to GS3010A-109999) and (from GS3007B-88080 to GS3009B-98941)

Item	Part No.	Description	Qty.	Item	Part No.	Description	Qty.
A	233232GT	DECAL KIT,1530 PLAT,WRD,ANSI <i>ANSI models only</i>		29	72853GT	DECAL,DANGER,IMPROPER USE HAZ.....	1
B	233233GT	DECAL KIT,1530 COMP,WRD,ANSI <i>ANSI models only</i>		30	72970GT	DECAL,INSTRUCTIONS-CHARGER OP.....	1
C	231559GT	DECAL KIT,1930 COMP.,WRD,ANSI <i>Complete kit for ANSI GS-1930</i>		31	72998GT	DECAL,LABEL,QUINTOLUBRIK..... <i>For Models with Quintolub Hydraulic Oil Only</i>	1
D	231558GT	DECAL KIT,1930 PLAT,WRD,ANSI <i>Platform Only kit for ANSI GS-1930</i>		32	72999GT	DECAL,LABEL,PETRO CANADA***..... <i>For Models with Petro Canada Hydraulic Oil Only</i>	1
1	28174GT	DECAL, POWER TO PLATFORM 230V**.....	2	33	82160GT	DECAL,LABEL,STATOIL HYDRA WAY <i>For Models with Statoil Hydraulic Oil Only</i>	1
2	28175GT	DECAL,WARNING-COMPART ACCESS.....	1	34	82161GT	DECAL,LABEL,UCON HYDROLUBE..... <i>For Models with Ucon Hydrolube Hydraulic Oil Only</i>	1
3	28176GT	DECAL,LABEL,MANUAL NOT HERE.....	1	35	82366GT	DECAL,CHEVRON RANDO HD..... <i>For Models with Chevron Rando Hydraulic Oil Only</i>	1
4	28235GT	DECAL,POWER TO PLATFORM 115V...2		36	82485GT	DECAL,LABEL,WHEEL LOAD 1530.....	4
5	28236GT	DECAL,WARN,IMPROPER OPERATION.....	1	37	82486GT	DECAL,LABEL,WHEEL LOAD 1930.....	4
6	31060GT	DECAL,DANGER DO NOT ALTER SWTC.....	1	38	82557GT	DECAL,LABEL,PLAT CONT LOCATION.....	1
7	31508GT	DECAL,DANGER,ELECT HAZARD,PLUG..... <i>Found in one of two locations</i>	1	39	82558GT	DECAL,WARN,SKIN INJECTION HAZ*.....	1
8	31788GT	DECAL,DANGER,BATTERY SAFETY***.....	1	40	82559GT	DECAL,INSTRUCT-ANNUAL INSP REQ.....	1
9	40434GT	DECAL,LANYARD ANCHORAGE POINT.....	3	41	82561GT	DECAL,DANGER-USE SAFETY ARM...2	
10	43089GT	DECAL,INSTRUCTIONS-OPER,GCP.....	1	42	82563GT	DECAL,INSTR-MAX CAP 500 LBS..... <i>for GS1930 and GS1932 models</i>	1
11	43093GT	DECAL,LABEL,TIRE SPECS.....	4	43	82564GT	DECAL,INSTR-MAX CAP 600LBS <i>for GS1530 and GS1532 models</i>	
12	43618GT	DECAL, LABEL - DIRECTION ARROWS.....	2	44	82565GT	DECAL,INSTR-SIDE FRC,ANSI.....	1
13	43619GT	DECAL,LABEL,SAFETY ARM.....	1	45	82567GT	DECAL, GROUND CONTROL PANEL....	1
14	43658GT	DECAL,LABEL,PWR TO CHARGR 230V..... <i>Found in one of two locations</i>	2	46	82657GT	DECAL,INSTRUCT,BATTERY CONNECT.....	1
15	44255GT	DECAL,DANGER,CRUSHING HAZARD.....	4	47	97712GT	DECAL,DANGER,BRAKE REL SAFETY*.....	2
16	44736GT	DECAL,DANGER,TIP-OVER,TILT.....	1	48	97772GT	DECAL,OVERLAY,PLAT CONTROLS***.....	1
17	44737GT	DECAL DANGER TIP OVER TRAYS.....	2	49	114360GT	DECAL,DANGER-TIP-OVER,BATT.....	1
18	44753GT	DECAL, LABEL, LED READOUT.....	1	50	114361GT	DECAL,LABEL-TRANSPORT DIGRAM.....	2
19	44980GT	DECAL,LABEL,PWR TO CHARGR 115V..... <i>Found in one of two locations</i>	1	51	114385GT	DECAL,DANGER,ELEC HAZARD,GS.....	2
20	44981GT	DECAL,LABEL, AIR LINE 110 PSI.....	2	52	114386GT	DECAL,DANGER-GEN SAFETY.....	1
23	52475GT	DECAL,LABEL,TRANSPORT TIEDOWN*.....	5	53	114413GT	DECAL,NOTICE,OP INST-ANSI,GENV...1	
24	62053GT	DECAL,COSMETIC,GENIE GS-1530**...2		54	133213GT	DECAL,NOTICE-DO NOT OPEN DOOR..... <i>For EE Models Only From Serial Number GS3008B-95267</i>	3
25	62054GT	DECAL,COSMETIC,GENIE GS-1930**...2					
26	65052GT	DECAL,LABEL,FAULT CODES.....	2				
27	72086GT	DECAL,LABEL,LIFTING EYE.....	4				
28	72143GT	DECAL,EMERGENCY STOP,GR.....	1				



103.1 Decals with Words, GS-1530/1930 (North America) (from SN GS3007A-91732 to GS3010A-109999) and (from GS3007B-88080 to GS3009B-98941)
 (continued)

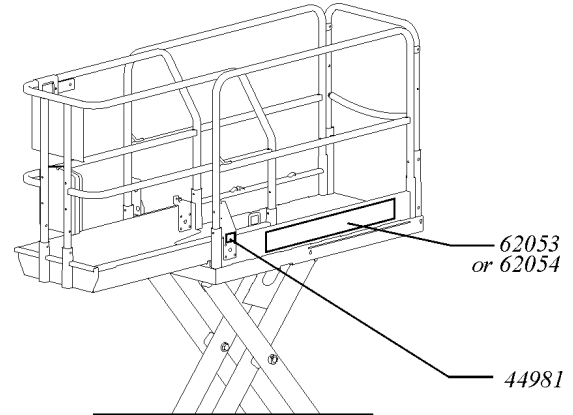
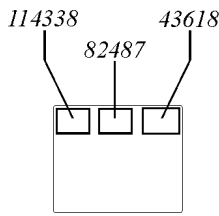
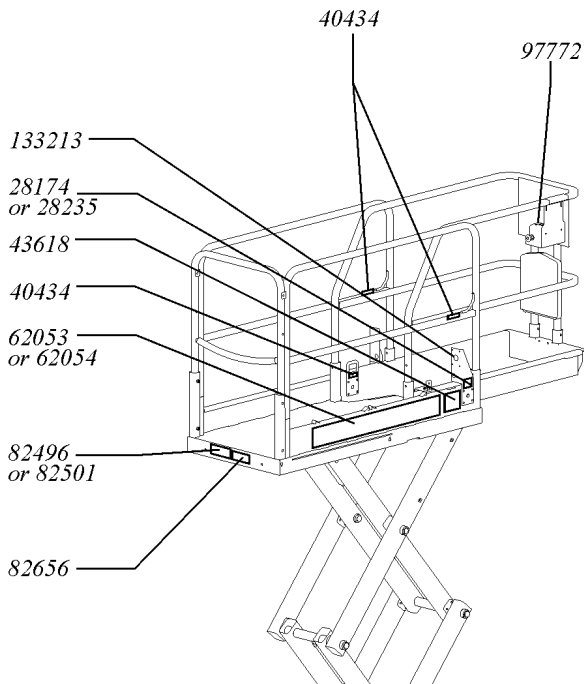
Item	Part No.	Description	Qty.
55	133276GT	DECAL,EMERGENCY LOWERING.....1	



103.1 Decals with Words, GS-1530/1930 (North America) (from SN GS3007A-91732 to GS3010A-109999) and (from GS3007B-88080 to GS3009B-98941)
(continued)

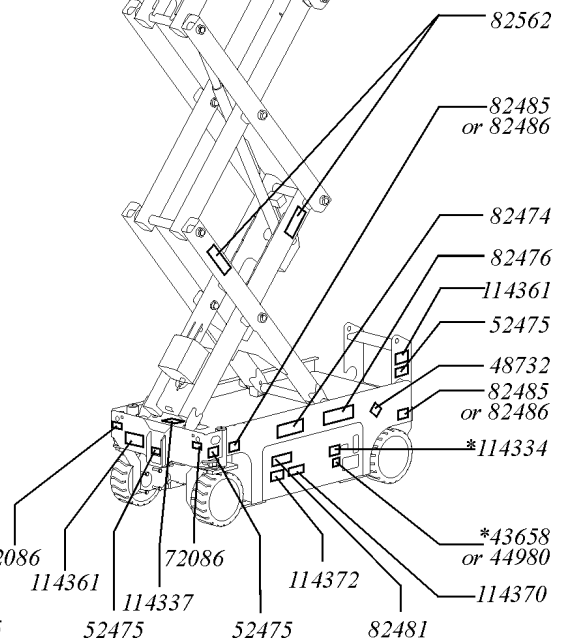
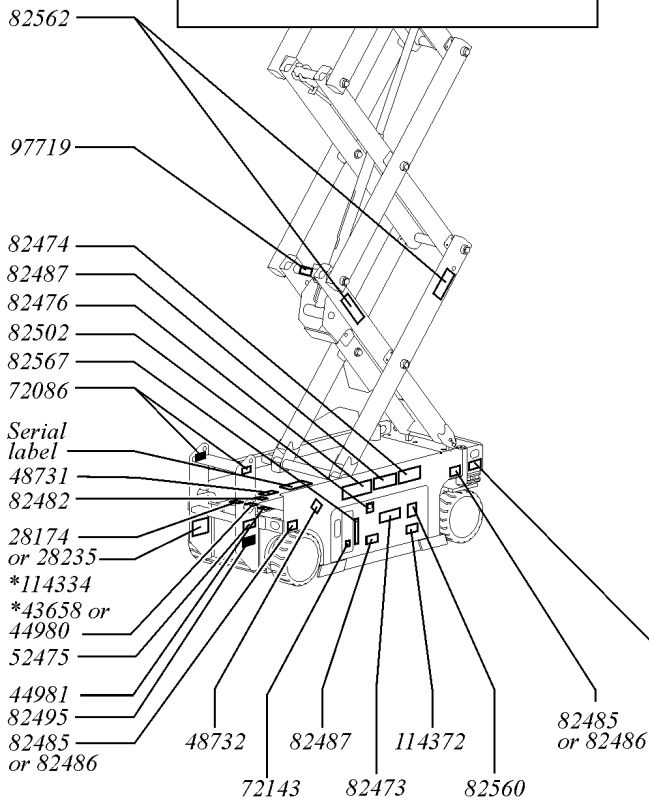
This Page Intentionally Left Blank

104.1 Decals with Symbols, GS-1530/1930 (Asia and South America) (from SN GS3007A-91732 to GS3010A-10999 and GS3007B-88080 to GS3009B-98941)



Ground Control Side

Battery Side

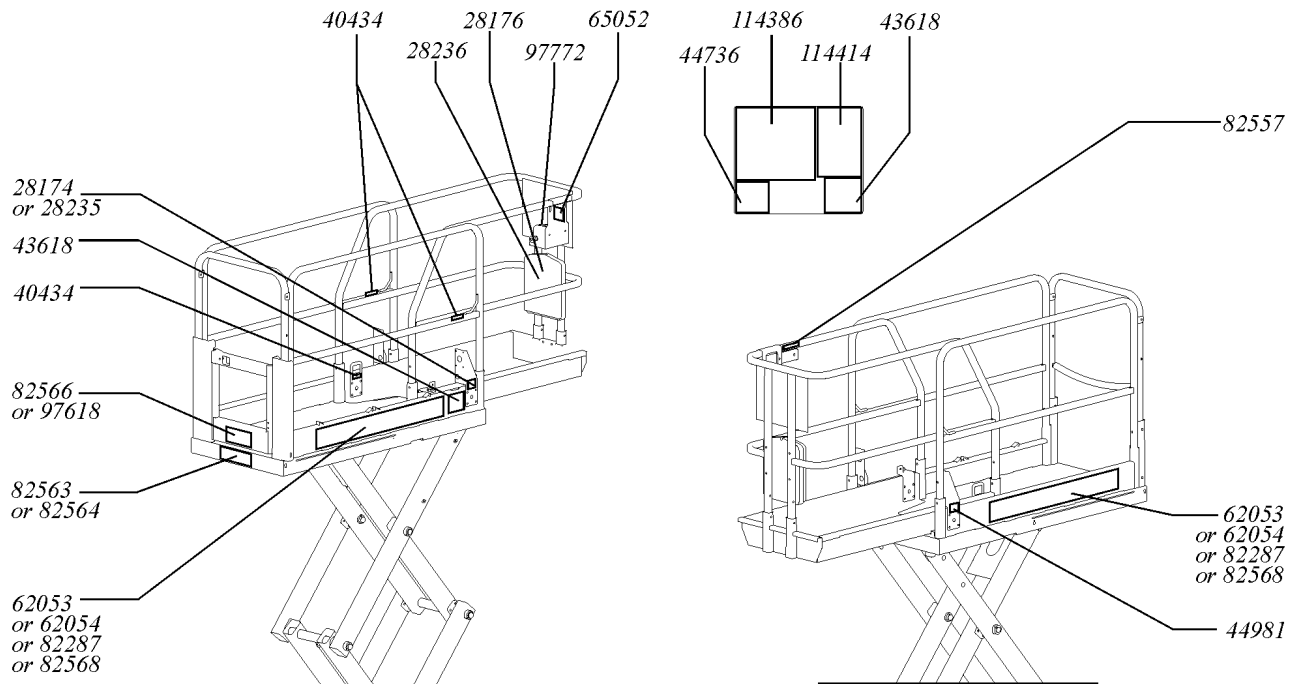


104.1 Decals with Symbols, GS-1530/1930 (Asia and South America) (from SN GS3007A-91732 to GS3010A-10999 and GS3007B-88080 to GS3009B-98941)

Item	Part No.	Description	Qty.	Item	Part No.	Description	Qty.
A	233234GT	DECAL KIT,1530 PLAT,SYM,ANSI <i>Platform only kit for ANSI GS-1530</i>		19	82482GT	DECAL,LABEL,AUX LOWERING.....	1
B	233235GT	DECAL KIT,1530 COMP,SYM,ANSI <i>Complete kit for ANSI GS-1530</i>		20	82485GT	DECAL,LABEL,WHEEL LOAD 1530.....	4
C	233262GT	DECAL KIT,1530 PLAT,SYM,CE <i>Platform only kit for CE GS-1530</i>		21	82486GT	DECAL,LABEL,WHEEL LOAD 1930.....	4
D	233263GT	DECAL KIT,1530 COMP,SYM,CE <i>Complete kit for CE GS-1530 (order platform controls decal separately)</i>		22	82487GT	DECAL, SYMBOL - READ THE MANUAL.....	2
E	233264GT	DECAL KIT,1532 PLAT,SYM,CE <i>Platform only kit for CE GS-1532</i>		23	82495GT	DECAL,SYMBOL-BRAKE REL SAFETY.....	1
F	233265GT	DECAL KIT,1532 COMP,SYM,CE <i>Complete kit for CE GS-1532</i>		24	82496GT	DECAL,SYM-MAXCAP 500..... <i>For GS1930 Models Only</i>	1
G	233236GT	DECAL KIT,1930 PLAT,SYM,ANSI <i>Platform only kit for ANSI GS-1930</i>		25	82501GT	DECAL,SYM-MAXCAP 600..... <i>GS-1530 Models</i>	1
H	233237GT	DECAL KIT,1930 COMP,SYM,ANSI <i>Complete kit for ANSI GS-1930</i>		26	82502GT	DECAL,LABEL,LED READOUT.....	1
I	233266GT	DECAL KIT,1930 PLAT,SYM,CE <i>Platform only kit for CEGS-1930</i>		27	82560GT	DECAL,SYMBOL-SKIN INJECT HAZRD.....	1
J	233267GT	DECAL KIT,1930 COMP,SYM,CE <i>Complete kit for CE GS-1930 (order platform controls decal separately)</i>		28	82562GT	DECAL,SYMBOL-CRUSHING HAZARD.....	4
K	233268GT	DECAL KIT,1932 PLAT,SYM,CE <i>Platform only kit for CEI GS-1932</i>		29	82567GT	DECAL, GROUND CONTROL PANEL....	1
L	233269GT	DECAL KIT,1932 COMP,SYM,CE <i>Complete kit for CE GS-1932</i>		30	82656GT	DECAL,SYM-SIDE FORCE 445N.....	1
1	28174GT	DECAL, POWER TO PLATFORM 230V**.....	2	31	97719GT	DECAL, LABEL, SAFETY ARM SYMB....	1
2	28235GT	DECAL,POWER TO PLATFORM 115V...2		32	97772GT	DECAL,OVERLAY,PLAT CONTROLS***.....	1
3	40434GT	DECAL,LANYARD ANCHORAGE POINT.....	3	33	114334GT	DECAL,SYM-ELEC HAZARD,PLUG.....	1
4	43618GT	DECAL, LABEL - DIRECTION ARROWS.....	2	34	114337GT	DECAL,SYM-TIP-OVER,LIM SWITCH....	1
5	43658GT	DECAL,LABEL,PWR TO CHARGR 230V..... <i>Found in one of two locations</i>	1	35	114338GT	DECAL,SYM-TIP-OVER,TILT ALARM....	1
6	44980GT	DECAL,LABEL,PWR TO CHARGR 115V..... <i>Found in one of two locations</i>	1	36	114361GT	DECAL,LABEL-TRANSPORT DIGRAM.....	2
7	44981GT	DECAL,LABEL, AIR LINE 110 PSI.....	2	37	114370GT	DECAL-SYM-TIP-OVR,BATTRIES.....	1
10	52475GT	DECAL,LABEL,TRANSPORT TIEDOWN*.....	5	38	114372GT	DECAL SYMBOL TIP OVER TRAYS.....	2
11	62053GT	DECAL,COSMETIC,GENIE GS-1530**...2		39	133213GT	DECAL,NOTICE-DO NOT OPEN DOOR..... <i>For EE Models Only From Serial Number GS3008B-95267</i>	3
12	62054GT	DECAL,COSMETIC,GENIE GS-1930**...2					
13	72086GT	DECAL,LABEL,LIFTING EYE.....	4				
14	72143GT	DECAL,EMERGENCY STOP,GR.....	1				
15	82473GT	DECAL,SYMBOL-COMP ACCESS.....	1				
16	82474GT	DECAL,SYMBOL-USE SAFETY ARM....	2				
17	82476GT	DECAL,SYMBOL-ELEC HAZARD,GS....	2				
18	82481GT	DECAL,SYMBOL-BATTERY SAFETY.....	1				

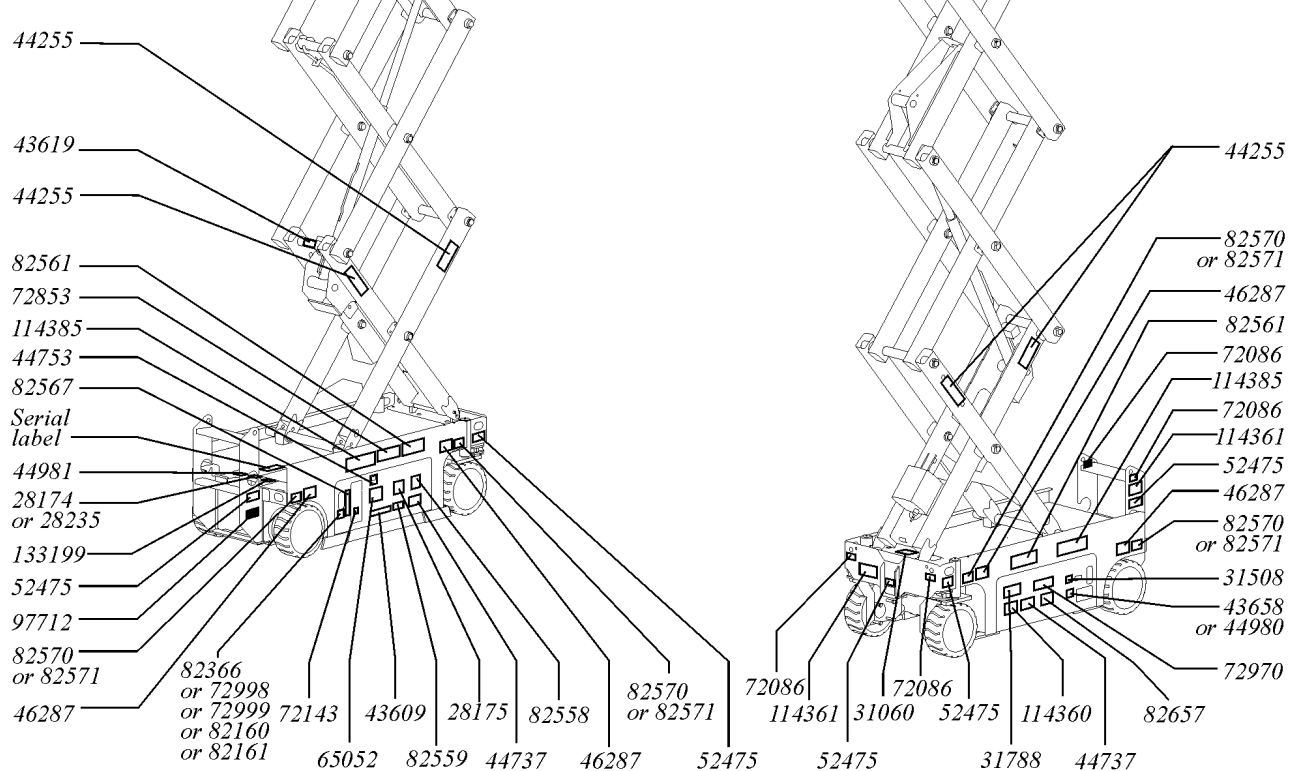


105.1 Decals with Words, GS-1530/1532/1930/1932 (Australia) (from SN GS3007A-91732 to GS3011A-102095) and (from GS3007B-88080 to GS3009B-98941)



Ground Control Side

Battery Side



105.1 Decals with Words, GS-1530/1532/1930/1932 (Australia) (from SN GS3007A-91732 to GS3011A-102095) and (from GS3007B-88080 to GS3009B-98941)

Item	Part No.	Description	Qty.	Item	Part No.	Description	Qty.
A	233238GT	DECAL KIT,1530 PLAT,WRD,AUST <i>from SN GS3007A-91732 to GS3011A-10295</i>		16	44736GT	DECAL,DANGER,TIP-OVER,TILT.....1	
B	233239GT	DECAL KIT,1530 COMP,WRD,AUST <i>from SN GS3007A-91732 to GS3011A-10295</i>		17	44737GT	DECAL DANGER TIP OVER TRAYS.....2	
C	233240GT	DECAL KIT,1532 PLAT,WRD,AUST <i>from SN GS3007A-91732 to GS3011A-10295</i>		18	44753GT	DECAL, LABEL, LED READOUT.....1	
D	233241GT	DECAL KIT,1532 COMP,WRD,AUST <i>from SN GS3007A-91732 to GS3011A-10295 (order platform controls decal separately)</i>		19	44980GT	DECAL,LABEL,PWR TO CHARGR 115V.....1	
E	233242GT	DECAL KIT,1930 PLAT,WRD,AUST <i>from SN GS3007A-91732 to GS3011A-10295</i>		20	44981GT	DECAL,LABEL, AIR LINE 110 PSI.....2	
F	233243GT	DECAL KIT,1930 COMP,WRD,AUST <i>from SN GS3007A-91732 to GS3011A-10295</i>		21	52475GT	DECAL,LABEL,TRANSPORT TIEDOWN*.....5	
G	233244GT	DECAL KIT,1932 PLAT,WRD,AUST <i>from SN GS3007A-91732 to GS3011A-10295</i>		22	62053GT	DECAL,COSMETIC,GENIE GS-1530**...2	
H	233245GT	DECAL KIT,1932 COMP,WRD,AUST <i>from SN GS3007A-91732 to GS3011A-10295 (order platform controls decal separately)</i>		23	62054GT	DECAL,COSMETIC,GENIE GS-1930**...2	
--		DECAL,DANGER,TIPOVER,TILT SYM		24	65052GT	DECAL,LABEL,FAULT CODES.....2	
1	28174GT	DECAL, POWER TO PLATFORM 230V**.....2		25	72086GT	DECAL,LABEL,LIFTING EYE.....4	
2	28175GT	DECAL,WARNING-COMPART ACCESS.....1		26	72143GT	DECAL,EMERGENCY STOP,GR.....1	
3	28176GT	DECAL,LABEL,MANUAL NOT HERE.....1		27	72853GT	DECAL,DANGER,IMPROPER USE HAZ.....1	
4	28235GT	DECAL,POWER TO PLATFORM 115V...2		28	72970GT	DECAL,INSTRUCTIONS-CHARGER OP.....1	
5	28236GT	DECAL,WARN,IMPROPER OPERATION.....1		29	72998GT	DECAL,LABEL,QUINTOLUBRIK.....1 <i>for models with Quintolub hydraulic oil only</i>	
6	31060GT	DECAL,DANGER DO NOT ALTER SWTC.....1		30	72999GT	DECAL,LABEL,PETRO CANADA***.....1 <i>for models with Petro Canada hydraulic oil only</i>	
7	31508GT	DECAL,DANGER,ELECT HAZARD,PLUG.....1		31	82160GT	DECAL,LABEL,STATOIL HYDRA WAY1 <i>for models with Statoil hydraulic oil only</i>	
8	31788GT	DECAL,DANGER,BATTERY SAFETY***.....1		32	82161GT	DECAL,LABEL,UCON HYDROLUBE.....1 <i>for models with Ucon Hydrolube hydraulic oil only</i>	
9	40434GT	DECAL,LANYARD ANCHORAGE POINT.....3		33	82287GT	DECAL,COSMETIC,GENIE GS-1932.....2	
10	43089GT	DECAL,INSTRUCTIONS-OPER,GCP.....1		34	82366GT	DECAL,CHEVRON RANDO HD.....1 <i>for models with Chevron Rando hydraulic oil only</i>	
11	43093GT	DECAL,LABEL,TIRE SPECS.....4		35	82557GT	DECAL,LABEL,PLAT CONT LOCATION.....1	
12	43618GT	DECAL, LABEL - DIRECTION ARROWS.....2		36	82558GT	DECAL,WARN,SKIN INJECTION HAZ*.....1	
13	43619GT	DECAL,LABEL,SAFETY ARM.....1		37	82559GT	DECAL,INSTRUCT-ANNUAL INSP REQ.....1	
14	43658GT	DECAL,LABEL,PWR TO CHARGR 230V.....2		38	82561GT	DECAL,DANGER-USE SAFETY ARM...2	
15	44255GT	DECAL,DANGER,CRUSHING HAZARD.....4		39	82563GT	DECAL,INSTR-MAX CAP 500 LBS.....1 <i>for GS1930 and GS1932 models</i>	
				40	82564GT	DECAL,INSTR-MAX CAP 600LBS.....1 <i>for GS1530 and GS1532 models</i>	
				41	82566GT	DECAL,INSTR-MANUAL FRC,AUS.....1 <i>for GS1532 and GS1932 models</i>	
				42	82567GT	DECAL, GROUND CONTROL PANEL....1	
				43	82568GT	DECAL,COSMETIC,GENIE GS-1532.....2	
				44	82570GT	DECAL,LABEL-WHEEL LOAD 1530/32.....4 <i>(for Australia models only)</i>	



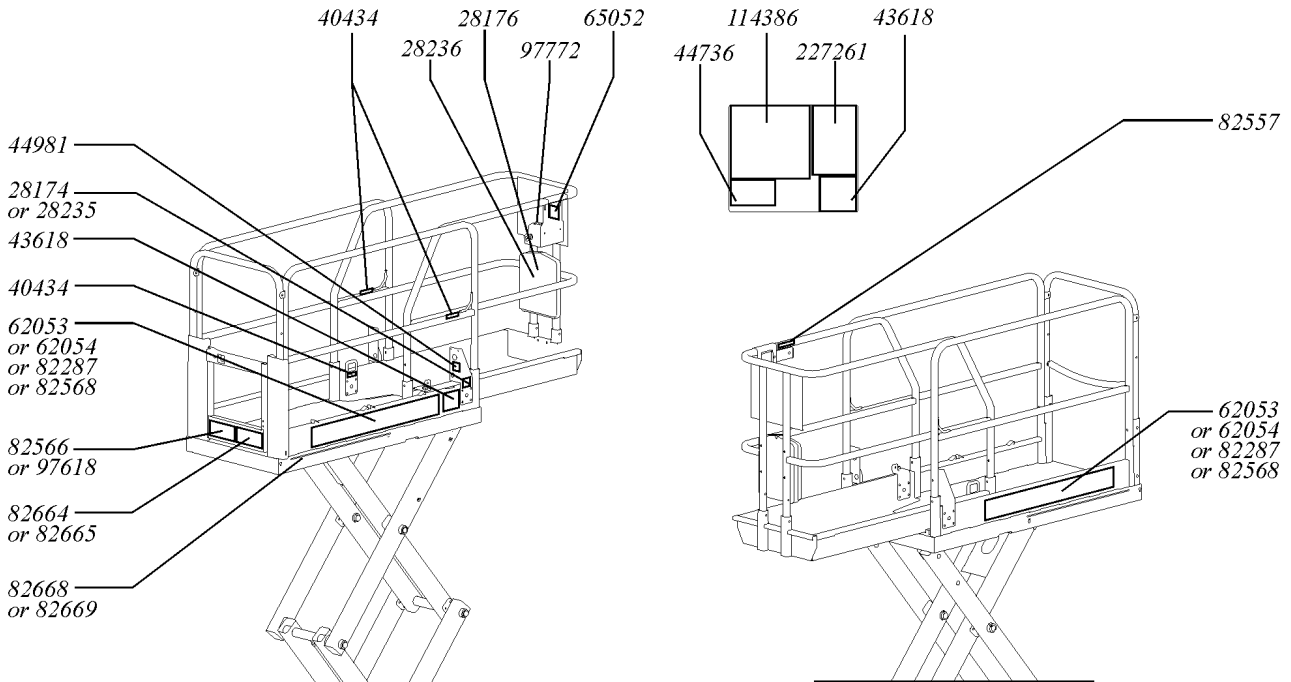
105.1 Decals with Words, GS-1530/1532/1930/1932 (Australia) (from SN GS3007A-91732 to GS3011A-102095) and (from GS3007B-88080 to GS3009B-98941)
 (continued)

Item	Part No.	Description	Qty.
45	82571GT	DECAL,LABEL,WHEEL LOAD 19XX.....4 <i>(for Australia models only)</i>	4
46	82657GT	DECAL,INSTRUCT,BATTERY CONNECT.....1	1
47	97618GT	DECAL,INSTR-INDOOR USE,AUS.....1 <i>for GS1530 and GS1930 models</i>	1
48	97712GT	DECAL,DANGER,BRAKE REL SAFETY*.....2	2
49	97772GT	DECAL,OVERLAY,PLAT CONTROLS***.....1	1
50	114360GT	DECAL,DANGER-TIP-OVER,BATT.....1	1
51	114361GT	DECAL,LABEL-TRANSPORT DIGRAM.....2	2
52	114385GT	DECAL,DANGER,ELEC HAZARD,GS....2	2
53	114386GT	DECAL,DANGER-GEN SAFETY.....1	1
54	114414GT	DECAL,NOTICE,OP INST-AUST,GENV.....1	1
55	133276GT	DECAL,EMERGENCY LOWERING.....1	1

105.1 Decals with Words, GS-1530/1532/1930/1932 (Australia) (from SN GS3007A-91732 to GS3011A-102095) and (from GS3007B-88080 to GS3009B-98941)
(continued)

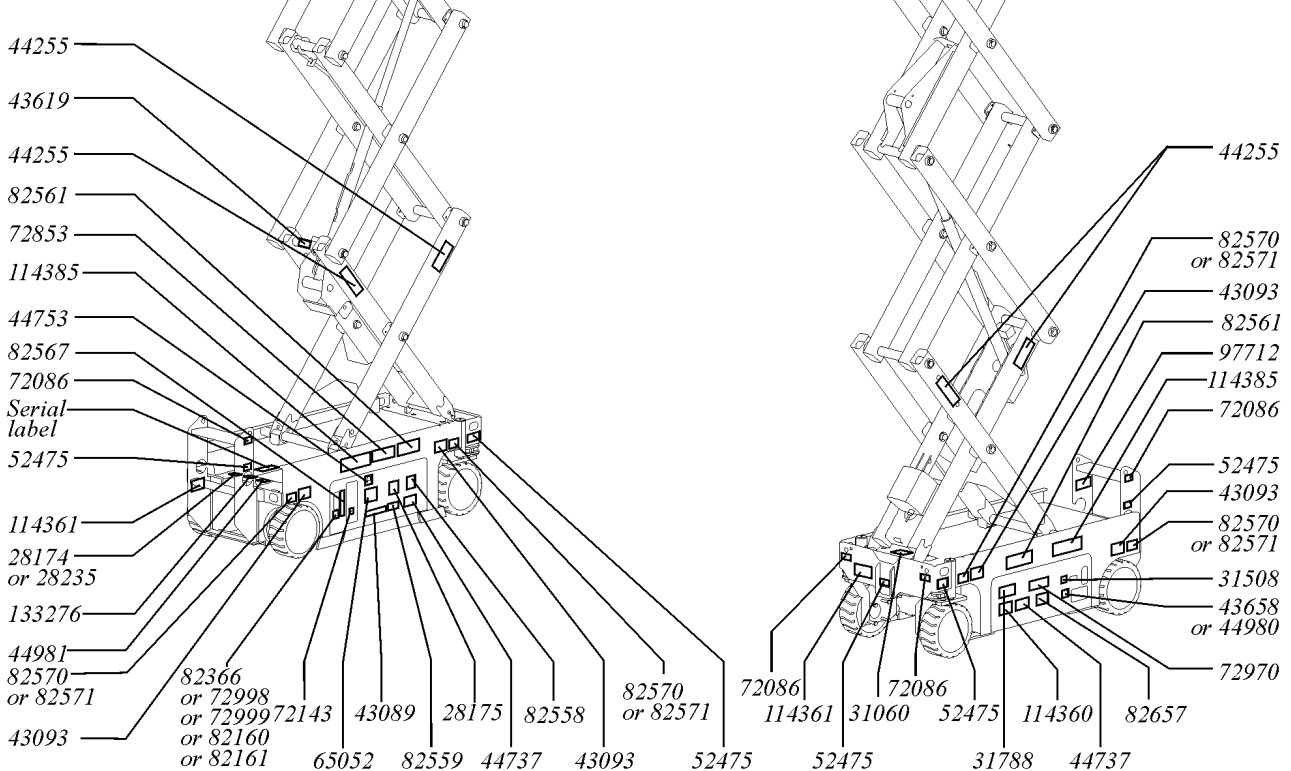
This Page Intentionally Left Blank

106.1 Decals with Words, GS-1530/1532/1930/1932 (Australia) (from SN GS3011A-102096 to GS3010A-109999)



Ground Control Side

Battery Side



106.1 Decals with Words, GS-1530/1532/1930/1932 (Australia) (from SN GS3011A-102096 to GS3010A-109999)

Item	Part No.	Description	Qty.	Item	Part No.	Description	Qty.
A	233246GT	DECAL KIT,1530 PLAT,WRD,AUST.....1 <i>from SN GS3010A-102096 to GS3010A-109999</i>	1	18	44753GT	DECAL, LABEL, LED READOUT.....1	1
B	233247GT	DECAL KIT,1530 COMP,WRD,AUST.....1 <i>from SN GS3010A-102096 to GS3010A-109999</i>	1	19	44980GT	DECAL,LABEL,PWR TO CHARGR 115V.....1	1
C	233248GT	DECAL KIT,1532 PLAT,WRD,AUST.....1 <i>from SN GS3010A-102096 to GS3010A-109999</i>	1	20	44981GT	DECAL,LABEL, AIR LINE 110 PSI.....2	2
D	233249GT	DECAL KIT,1532 COMP,WRD,AUST.....1 <i>from SN GS3010A-102096 to GS3010A-109999</i>	1	21	52475GT	DECAL,LABEL,TRANSPORT TIEDOWN*.....5	5
E	233250GT	DECAL KIT,1930 PLAT,WRD,AUST.....1 <i>from SN GS3010A-102096 to GS3010A-109999</i>	1	22	62053GT	DECAL,COSMETIC,GENIE GS-1530**...2	2
F	233251GT	DECAL KIT,1930 COMP,WRD,AUST.....1 <i>from SN GS3010A-102096 to GS3010A-109999</i>	1	23	62054GT	DECAL,COSMETIC,GENIE GS-1930**...2	2
G	233252GT	DECAL KIT,1932 PLAT,WRD,AUST.....1 <i>from SN GS3010A-102096 to GS3010A-109999</i>	1	24	65052GT	DECAL,LABEL,FAULT CODES.....2	2
H	233253GT	DECAL KIT,1932 COMP,WRD,AUST.....1 <i>from SN GS3010A-102096 to GS3010A-109999</i>	1	25	72086GT	DECAL,LABEL,LIFTING EYE.....4	4
1	28174GT	DECAL, POWER TO PLATFORM 230V**.....2	2	26	72143GT	DECAL,EMERGENCY STOP,GR.....1	1
2	28175GT	DECAL,WARNING-COMPART ACCESS.....1	1	27	72853GT	DECAL,DANGER,IMPROPER USE HAZ.....1	1
3	28176GT	DECAL,LABEL,MANUAL NOT HERE.....1	1	28	72970GT	DECAL,INSTRUCTIONS-CHARGER OP.....1	1
4	28235GT	DECAL,POWER TO PLATFORM 115V...2	2	29	72998GT	DECAL,LABEL,QUINTOLUBRIK.....1 <i>For Models with Quintolub Hydraulic Oil Only</i>	1
5	28236GT	DECAL,WARN,IMPROPER OPERATION.....1	1	30	72999GT	DECAL,LABEL,PETRO CANADA***.....1 <i>For Models with Petro Canada Hydraulic Oil Only</i>	1
6	31060GT	DECAL,DANGER DO NOT ALTER SWTC.....1	1	31	82160GT	DECAL,LABEL,STATOIL HYDRA WAY.....1 <i>For Models with Statoil Hydraulic Oil Only</i>	1
7	31508GT	DECAL,DANGER,ELECT HAZARD,PLUG.....1	1	32	82161GT	DECAL,LABEL,UCON HYDROLUBE.....1 <i>For Models with Ucon Hydrolube Hydraulic Oil Only</i>	1
8	31788GT	DECAL,DANGER,BATTERY SAFETY***.....1	1	33	82287GT	DECAL,COSMETIC,GENIE GS-1932....2	2
9	40434GT	DECAL,LANYARD ANCHORAGE POINT.....3	3	34	82366GT	DECAL,CHEVRON RANDO HD.....1 <i>For Models with Chevron Rando Hydraulic Oil Only</i>	1
10	43089GT	DECAL,INSTRUCTIONS-OPER,GCP.....1	1	35	82557GT	DECAL,LABEL,PLAT CONT LOCATION.....1	1
11	43093GT	DECAL,LABEL,TIRE SPECS.....4	4	36	82558GT	DECAL,WARN,SKIN INJECTION HAZ*.....1	1
12	43618GT	DECAL, LABEL - DIRECTION ARROWS.....2	2	37	82559GT	DECAL,INSTRUCT-ANNUAL INSP REQ.....1	1
13	43619GT	DECAL,LABEL,SAFETY ARM.....1	1	38	82561GT	DECAL,DANGER-USE SAFETY ARM....2	2
14	43658GT	DECAL,LABEL,PWR TO CHARGR 230V.....2	2	39	82566GT	DECAL,INSTR-MANUAL FRC,AUS.....1 <i>For GS-1532 and GS-1932 Models</i>	1
15	44255GT	DECAL,DANGER,CRUSHING HAZARD.....4	4	40	82567GT	DECAL, GROUND CONTROL PANEL....1	1
16	44736GT	DECAL,DANGER,TIP-OVER,TILT.....1	1	41	82568GT	DECAL,COSMETIC,GENIE GS-1532....2	2
17	44737GT	DECAL DANGER TIP OVER TRAYS.....2	2	42	82570GT	DECAL,LABEL-WHEEL LOAD 1530/32.....4	4
				43	82571GT	DECAL,LABEL,WHEEL LOAD 19XX....4	4
				44	82657GT	DECAL,INSTRUCT,BATTERY CONNECT.....1	1
				45	82664GT	DECAL,SYM-MAXCAP CE GS15XX.....1	1
				46	82665GT	DECAL,SYM-MAXCAP CE GS19XX.....1	1



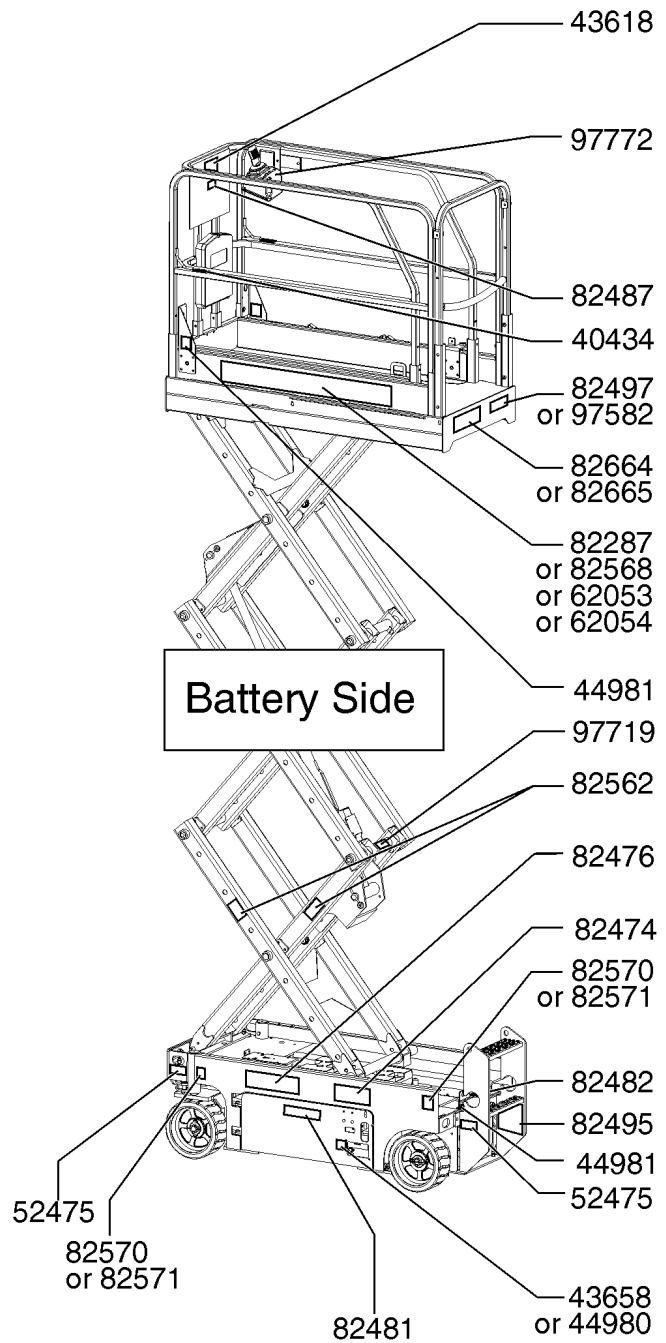
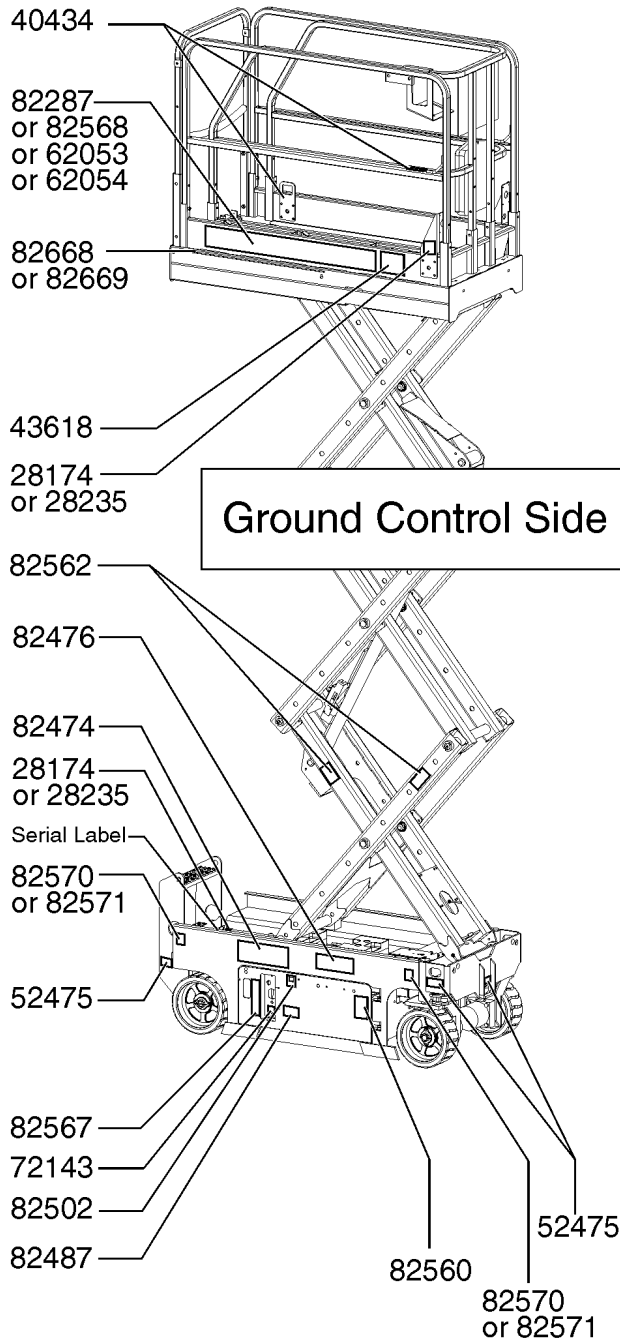
106.1 Decals with Words, GS-1530/1532/1930/1932 (Australia) (from SN GS3011A-102096 to GS3010A-109999)
(continued)

Item	Part No.	Description	Qty.
47	82668GT	DECAL,LABEL,CAP IND CE GS15XX....1	
48	82669GT	DECAL,LABEL,CAP IND CE19XX.....1	
49	97618GT	DECAL,INSTR-INDOOR USE,AUS.....1 <i>For GS-1530 and GS-1930 Models</i>	
50	97712GT	DECAL,DANGER,BRAKE REL SAFETY*.....2	
51	97772GT	DECAL,OVERLAY,PLAT CONTROLS***.....1	
52	114360GT	DECAL,DANGER-TIP-OVER,BATT.....1	
53	114361GT	DECAL,LABEL-TRANSPORT DIGRAM.....2	
54	114385GT	DECAL,DANGER,ELEC HAZARD,GS....2	
55	114386GT	DECAL,DANGER-GEN SAFETY.....1	
56	227261GT	DECAL,OP INST, AUS,GS-30.....1	
57	133276GT	DECAL,EMERGENCY LOWERING.....1	

106.1 Decals with Words, GS-1530/1532/1930/1932 (Australia) (from SN GS3011A-102096 to GS3010A-109999)
(continued)

This Page Intentionally Left Blank

107.1 Decals with Symbols, GS-1530/1532/1930/1932 (Europe) CE Models (from SN GS3005A-76000 to GS3007A-91731) and (from GS3005B-76000 to GS3007B-88079)

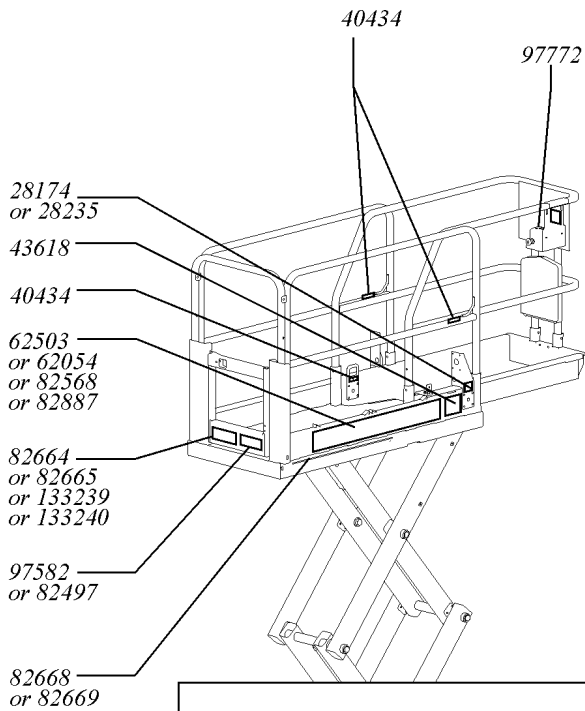


107.1 Decals with Symbols, GS-1530/1532/1930/1932 (Europe) CE Models (from SN GS3005A-76000 to GS3007A-91731) and (from GS3005B-76000 to GS3007B-88079)

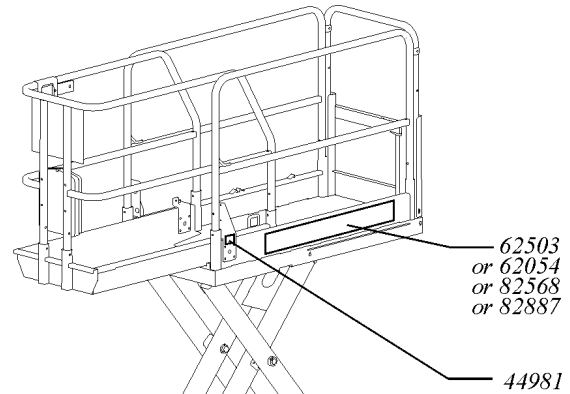
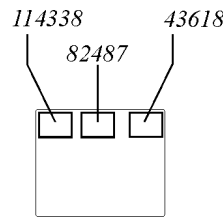
Item	Part No.	Description	Qty.	Item	Part No.	Description	Qty.
A	233254GT	DECAL KIT,1530 PLAT,SYM,CE <i>Platform only kit for CE GS-1530</i>		21	82560GT	DECAL,SYMBOL-SKIN INJECT HAZRD.....	1
B	233255GT	DECAL KIT,1530 COMP,SYM,CE <i>Complete kit for CE GS-1530 (order platform controls decal separately)</i>		22	82562GT	DECAL,SYMBOL-CRUSHING HAZARD.....	4
C	233256GT	DECAL KIT,1532 PLAT,SYM,CE <i>Platform only kit for CE GS-1532</i>		23	82567GT	DECAL, GROUND CONTROL PANEL....	1
D	233257GT	DECAL KIT,1532 COMP,SYM,CE <i>Complete kit for CE GS-1532 (order platform controls decal separately)</i>		24	82568GT	DECAL,COSMETIC,GENIE GS-1532....	2
E	233258GT	DECAL KIT,1930 PLAT,SYM,CE <i>Platform only kit for CE GS-1930</i>		25	82570GT	DECAL,LABEL-WHEEL LOAD 1530/32.....	4
F	233259GT	DECAL KIT,1930 COMP,SYM,CE <i>Complete kit for CE GS-1930 (order platform controls decal separately)</i>		26	82571GT	DECAL,LABEL,WHEEL LOAD 19XX....	4
G	233260GT	DECAL KIT,1932 PLAT,SYM,CE <i>Platform only kit for CE GS-1932</i>		27	82664GT	DECAL,SYM-MAXCAP CE GS15XX.....	1
H	233261GT	DECAL KIT,1932 COMP,SYM,CE <i>Complete kit for CE GS-1932 (order platform controls decal separately)</i>		28	82665GT	DECAL,SYM-MAXCAP CE GS19XX.....	1
1	28174GT	DECAL, POWER TO PLATFORM 230V**.....	2	29	82668GT	DECAL,LABEL,CAP IND CE GS15XX.... <i>For Models with Capacity Indicator</i>	1
2	28235GT	DECAL,POWER TO PLATFORM 115V...2		30	82669GT	DECAL,LABEL,CAP IND CE19XX..... <i>For Models with Capacity Indicator</i>	1
3	40434GT	DECAL,LANYARD ANCHORAGE POINT.....	3	31	97582GT	DECAL,SYM-SIDEFORCE 400N ID..... <i>For GS-1530 and GS-1930 Models Only</i>	1
4	43618GT	DECAL, LABEL - DIRECTION ARROWS.....	2	32	97719GT	DECAL, LABEL, SAFETY ARM SYMB....	1
5	43658GT	DECAL,LABEL,PWR TO CHARGR 230V.....	1	33	97772GT	DECAL,OVERLAY,PLAT CONTROLS***.....	1
6	44980GT	DECAL,LABEL,PWR TO CHARGR 115V.....	1				
7	44981GT	DECAL,LABEL, AIR LINE 110 PSI.....	2				
8	52475GT	DECAL,LABEL,TRANSPORT TIEDOWN*.....	5				
9	62053GT	DECAL,COSMETIC,GENIE GS-1530**...2					
10	62054GT	DECAL,COSMETIC,GENIE GS-1930**...2					
11	72143GT	DECAL,EMERGENCY STOP,GR.....	1				
12	82287GT	DECAL,COSMETIC,GENIE GS-1932....2					
13	82474GT	DECAL,SYMBOL-USE SAFETY ARM...2					
14	82476GT	DECAL,SYMBOL-ELEC HAZARD,GS....2					
15	82481GT	DECAL,SYMBOL-BATTERY SAFETY.....1					
16	82482GT	DECAL,LABEL,AUX LOWERING.....1					
17	82487GT	DECAL, SYMBOL - READ THE MANUAL.....	2				
18	82495GT	DECAL,SYMBOL-BRAKE REL SAFETY.....	1				
19	82497GT	DECAL,SYM-SIDEFORCE 200400..... <i>For GS-1532 and GS-1932 Models Only</i>	1				
20	82502GT	DECAL,LABEL,LED READOUT.....	1				



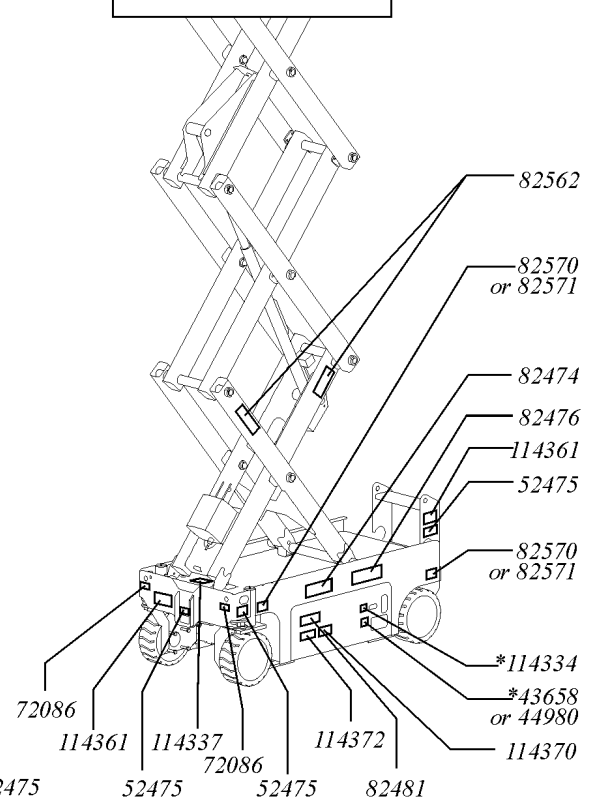
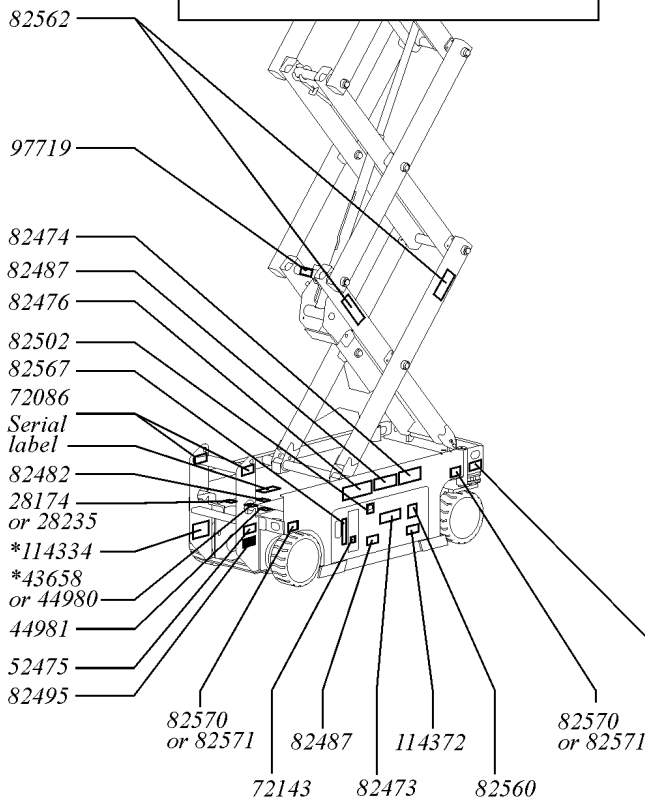
108.1 Decals with Symbols, GS-1530/1532/1930/1932 (Europe) (from SN GS3007A-91732 to GS3010A-109999; from GS3007B-88080; and from GS3008C-101 to GS3011C-9999)



Ground Control Side



Battery Side



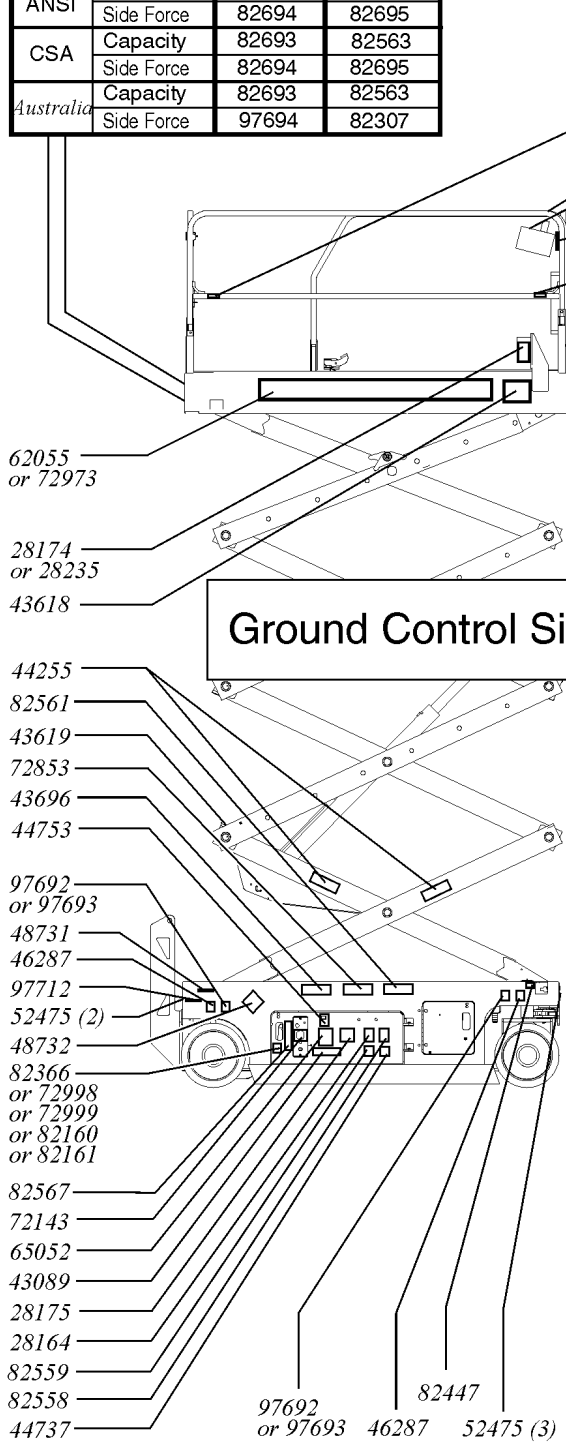
108.1 Decals with Symbols, GS-1530/1532/1930/1932 (Europe) (from SN GS3007A-91732 to GS3010A-109999; from GS3007B-88080; and from GS3008C-101 to GS3011C-9999)

Item	Part No.	Description	Qty.	Item	Part No.	Description	Qty.
A	233262GT	DECAL KIT,1530 PLAT,SYM,CE <i>Platform only kit for CE GS-1530</i>		22	82502GT	DECAL,LABEL,LED READOUT.....1	
--	233263GT	DECAL KIT,1530 COMP,SYM,CE <i>Complete kit for CE GS-1530 (order platform controls decal separately)</i>		23	82560GT	DECAL,SYMBOL-SKIN INJECT HAZRD.....1	
--	233264GT	DECAL KIT,1532 PLAT,SYM,CE <i>Platform only kit for CE GS-1532</i>		24	82562GT	DECAL,SYMBOL-CRUSHING HAZARD.....4	
--	233265GT	DECAL KIT,1532 COMP,SYM,CE <i>Complete kit for CE GS-1532</i>		25	82567GT	DECAL, GROUND CONTROL PANEL....1	
--	233266GT	DECAL KIT,1930 PLAT,SYM,CE <i>Platform only kit for CEGS-1930</i>		26	82568GT	DECAL,COSMETIC,GENIE GS-1532....2	
--	233267GT	DECAL KIT,1930 COMP,SYM,CE <i>Complete kit for CE GS-1930 (order platform controls decal separately)</i>		27	82570GT	DECAL,LABEL-WHEEL LOAD 1530/32.....4	
--	233268GT	DECAL KIT,1932 PLAT,SYM,CE <i>Platform only kit for CEI GS-1932</i>		28	82571GT	DECAL,LABEL,WHEEL LOAD 19XX....4	
--	233269GT	DECAL KIT,1932 COMP,SYM,CE <i>Complete kit for CE GS-1932</i>		29	82664GT	DECAL,SYM-MAXCAP CE GS15XX.....1 <i>For CE Models Exept Italian</i>	
1	28174GT	DECAL, POWER TO PLATFORM 230V**.....2		30	82665GT	DECAL,SYM-MAXCAP CE GS19XX.....1 <i>For CE Models Exept Italian</i>	
2	28235GT	DECAL,POWER TO PLATFORM 115V...2		31	82668GT	DECAL,LABEL,CAP IND CE GS15XX....1 <i>For Models with Capacity Indicator</i>	
3	40434GT	DECAL,LANYARD ANCHORAGE POINT.....3		32	82669GT	DECAL,LABEL,CAP IND CE19XX.....1 <i>For Models with Capacity Indicator</i>	
4	43618GT	DECAL, LABEL - DIRECTION ARROWS.....2		33	97582GT	DECAL,SYM-SIDEFORCE 400N ID.....1 <i>For GS1530 and GS-1930 Models Only</i>	
5	43658GT	DECAL,LABEL,PWR TO CHARGR 230V.....1 <i>Found in one of two locations</i>		34	97719GT	DECAL, LABEL, SAFETY ARM SYMB....1	
6	44980GT	DECAL,LABEL,PWR TO CHARGR 115V.....1 <i>Found in one of two locations</i>		35	97772GT	DECAL,OVERLAY,PLAT CONTROLS***.....1	
7	44981GT	DECAL,LABEL, AIR LINE 110 PSI.....2		36	114334GT	DECAL,SYM-ELEC HAZARD,PLUG.....1 <i>Found in one of two locations</i>	
8	52475GT	DECAL,LABEL,TRANSPORT TIEDOWN*.....5		37	114337GT	DECAL,SYM-TIP-OVER,LIM SWITCH....1	
9	62053GT	DECAL,COSMETIC,GENIE GS-1530**...2		38	114338GT	DECAL,SYM-TIP-OVER,TILT ALARM....1	
10	62054GT	DECAL,COSMETIC,GENIE GS-1930**...2		39	114361GT	DECAL,LABEL-TRANSPORT DIGRAM.....2	
11	72086GT	DECAL,LABEL,LIFTING EYE.....4		40	114370GT	DECAL-SYM-TIP-OVR,BATTRIES.....1	
12	72143GT	DECAL,EMERGENCY STOP,GR.....1		41	114372GT	DECAL SYMBOL TIP OVER TRAYS.....2	
13	82287GT	DECAL,COSMETIC,GENIE GS-1932....2		42	133239GT	LABEL,MAXCAP,272KG,GS1530.....1 <i>For Italian Models Only</i>	
14	82473GT	DECAL,SYMBOL-COMP ACCESS.....1		43	133240GT	LABEL,MAXCAP,227KG,1930.....1 <i>For Italian Models Only</i>	
15	82474GT	DECAL,SYMBOL-USE SAFETY ARM....2					
16	82476GT	DECAL,SYMBOL-ELEC HAZARD,GS....2					
17	82481GT	DECAL,SYMBOL-BATTERY SAFETY....1					
18	82482GT	DECAL,LABEL,AUX LOWERING.....1					
19	82487GT	DECAL, SYMBOL - READ THE MANUAL.....2					
20	82495GT	DECAL,SYMBOL-BRAKE REL SAFETY.....2					
21	82497GT	DECAL,SYM-SIDEFORCE 200400.....1 <i>For GS-1532 and GS-1932 Models Only</i>					

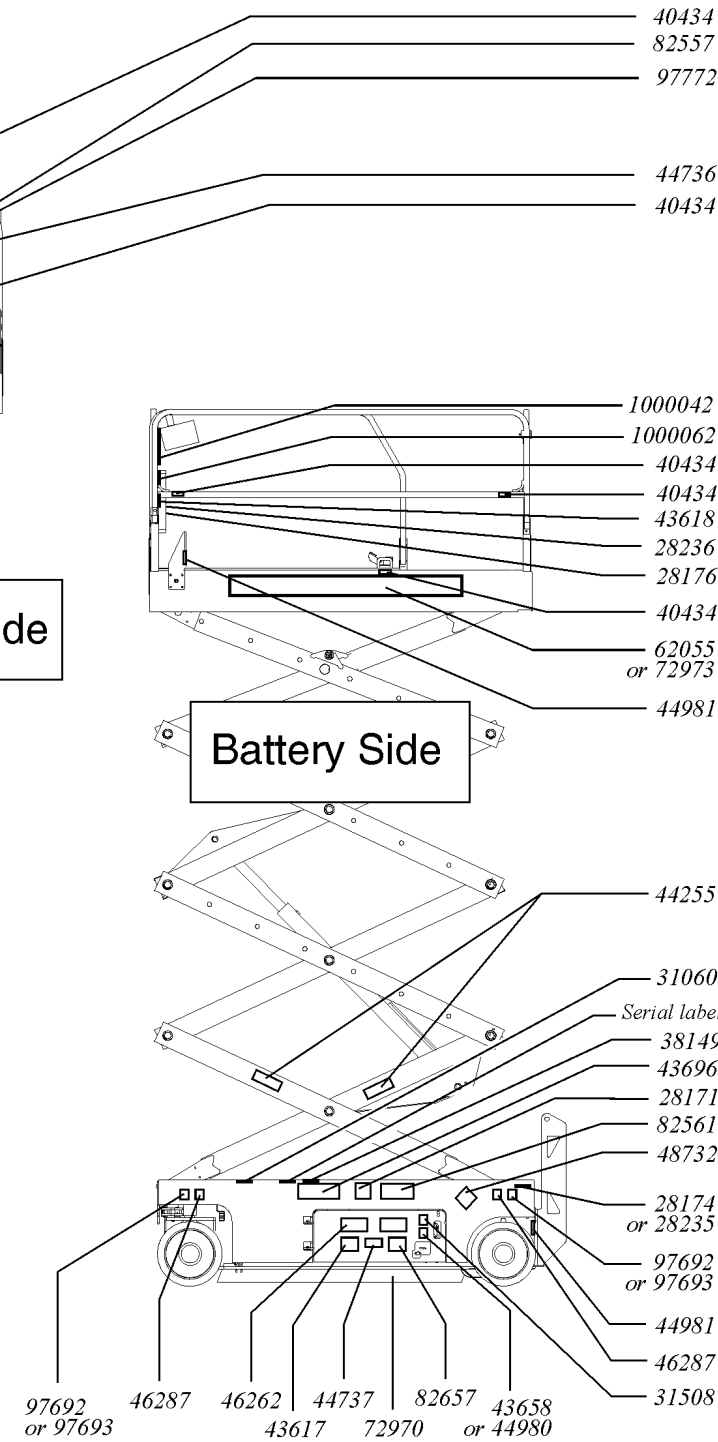


109.1 Decals with Words, GS-2032/2632 (North America and Australia) (from SN GS3205-75407 to GS3207-87723)

Decal Part Numbers			
each model requires 1 Capacity decal and 1 Side Force decal			
		GS-2032	GS-2632
ANSI	Capacity	82693	82563
	Side Force	82694	82695
CSA	Capacity	82693	82563
	Side Force	82694	82695
Australia	Capacity	82693	82563
	Side Force	97694	82307



Ground Control Side



Battery Side

109.1 Decals with Words, GS-2032/2632 (North America and Australia) (from SN GS3205-75407 to GS3207-87723)

Item	Part No.	Description	Qty.	Item	Part No.	Description	Qty.
A	160854GT	DECAL KIT,2032,PLAT,WORD,ANSI <i>ANSI models</i>		23	46262GT	DECAL,DANGER,BATTERY SAFETY.....1	
B	160855GT	DECAL KIT,2032,COMP,WORD,ANSI <i>ANSI models</i>		24	46287GT	DECAL,LABEL-TIRE SPECS.....4	
C	160856GT	DECAL KIT,2032,PLAT,WORD,AUS <i>Australia models</i>		27	52475GT	DECAL,LABEL,TRANSPORT TIEDOWN*.....5	
D	160857GT	DECAL KIT,2032,COMP,WORD,AUS <i>Australia models</i>		28	62055GT	DECAL,COSMETIC,GENIE GS-2032....2	
E	160858GT	DECAL KIT,2632,PLAT,WORD,ANSI <i>ANSI models</i>		29	65052GT	DECAL,LABEL,FAULT CODES.....1	
F	160859GT	DECAL KIT,2632,COMP,WORD,ANSI <i>ANSI models</i>		30	72143GT	DECAL,EMERGENCY STOP,GR.....1	
G	160860GT	DECAL KIT,2632,PLAT,WORD,AUS <i>Australia models</i>		31	72853GT	DECAL,DANGER,IMPROPER USE HAZ.....1	
H	160861GT	DECAL KIT,2632,COMP,WORD,AUS <i>Australia models</i>		32	72970GT	DECAL,INSTRUCTIONS-CHARGER OP.....1	
1	28164GT	DECAL,NOTICE,HAZARDOUS MAT'LS*.....1		33	72973GT	DECAL,COSMETIC,GENIE GS-2632**...2	
2	28171GT	DECAL,DANGER,NO SMOKING ***.....1		34	72998GT	DECAL,LABEL,QUINTOLUBRIK.....1 <i>For Models with Quintolub Hydraulic Oil Only</i>	
3	28174GT	DECAL, POWER TO PLATFORM 230V**.....2		35	72999GT	DECAL,LABEL,PETRO CANADA***.....1 <i>For Models with Petro Canada Hydraulic Oil Only</i>	
4	28175GT	DECAL,WARNING-COMPART ACCESS.....1		36	82160GT	DECAL,LABEL,STATOIL HYDRA WAY.....1 <i>For Models with Statoil Hydraulic Oil Only</i>	
5	28176GT	DECAL,LABEL,MANUAL NOT HERE.....1		37	82161GT	DECAL,LABEL,UCON HYDROLUBE.....1 <i>For Models with Ucon Hydrolube Hydraulic Oil Only</i>	
6	28235GT	DECAL,POWER TO PLATFORM 115V...2		38	82307GT	DECAL,INSTR,INDOOR,AUS-26/3232 <i>For Australia Models Only</i>	
7	28236GT	DECAL,WARN,IMPROPER OPERATION.....1		39	82366GT	DECAL,CHEVRON RANDO HD.....1 <i>For Models with Chevron Rando Hydraulic Oil Only</i>	
8	31060GT	DECAL,DANGER DO NOT ALTER SWTC.....1		40	82447GT	DECAL, LABEL,AUX LOWERING.....1	
9	31508GT	DECAL,DANGER,ELECT HAZARD,PLUG.....1		41	82557GT	DECAL,LABEL,PLAT CONT LOCATION.....1	
10	40434GT	DECAL,LANYARD ANCHORAGE POINT.....5		42	82558GT	DECAL,WARN,SKIN INJECTION HAZ*.....1	
11	43089GT	DECAL,INSTRUCTIONS-OPER,GCP.....1		43	82559GT	DECAL,INSTRUCT-ANNUAL INSP REQ.....1	
12	43617GT	DECAL,DANGER,TIP-OVER,BATTERY..1		44	82561GT	DECAL,DANGER-USE SAFETY ARM...2	
13	43618GT	DECAL, LABEL - DIRECTION ARROWS.....2		45	82563GT	DECAL,INSTR-MAX CAP 500 LBS.....1 <i>For GS-2632 Models Only</i>	
14	43619GT	DECAL,LABEL,SAFETY ARM.....1		46	82567GT	DECAL, GROUND CONTROL PANEL....1	
15	43658GT	DECAL,LABEL,PWR TO CHARGR 230V.....1		47	82657GT	DECAL,INSTRUCT,BATTERY CONNECT.....1	
16	43696GT	DECAL,DANGER,ELEC HAZARD,GS....2		48	82693GT	DECAL,INSTR-MAX CAP 800 LBS.....1 <i>For GS-2032 Models Only</i>	
17	44255GT	DECAL,DANGER,CRUSHING HAZARD.....4		49	82694GT	DECAL,INSTR-SIDE FRC,ANSI 2032....1 <i>For ANSI GS-2032 Models Only</i>	
18	44736GT	DECAL,DANGER,TIP-OVER,TILT.....1		50	82695GT	DECAL,INSTR-SIDE FRC,ANSI.....1 <i>For ANSI GS-2632 Models Only</i>	
19	44737GT	DECAL DANGER TIP OVER TRAYS.....2		51	97692GT	DECAL,LABEL,WHEEL LOAD 2032.....4	
20	44753GT	DECAL, LABEL, LED READOUT.....1		52	97693GT	DECAL,LABEL,WHEEL LOAD 2632.....4	
21	44980GT	DECAL,LABEL,PWR TO CHARGR 115V.....1					
22	44981GT	DECAL,LABEL, AIR LINE 110 PSI.....2					



109.1 Decals with Words, GS-2032/2632 (North America and Australia) (from SN GS3205-75407 to GS3207-87723)
(continued)

Item	Part No.	Description	Qty.
53	97694GT	DECAL,INSTR-MANUALFRC,AUS 2032..... <i>For Australia Models Only</i>	1
54	97712GT	DECAL,DANGER,BRAKE REL SAFETY*.....	1
55	97772GT	DECAL,OVERLAY,PLAT CONTROLS***.....	1
56	1000042GT	DECAL,DANGER,GENERAL SAFETY....	1
57	1000062GT	DECAL,INSTRUCT-OP GEN5,GS-32.....	1

109.1 Decals with Words, GS-2032/2632 (North America and Australia) (from SN
GS3205-75407 to GS3207-87723)
(continued)

This Page Intentionally Left Blank

110.1 Decals with Symbols, GS-2032/2632 (Asia and South America) (from SN GS3205-75407 to GS3207-87723)

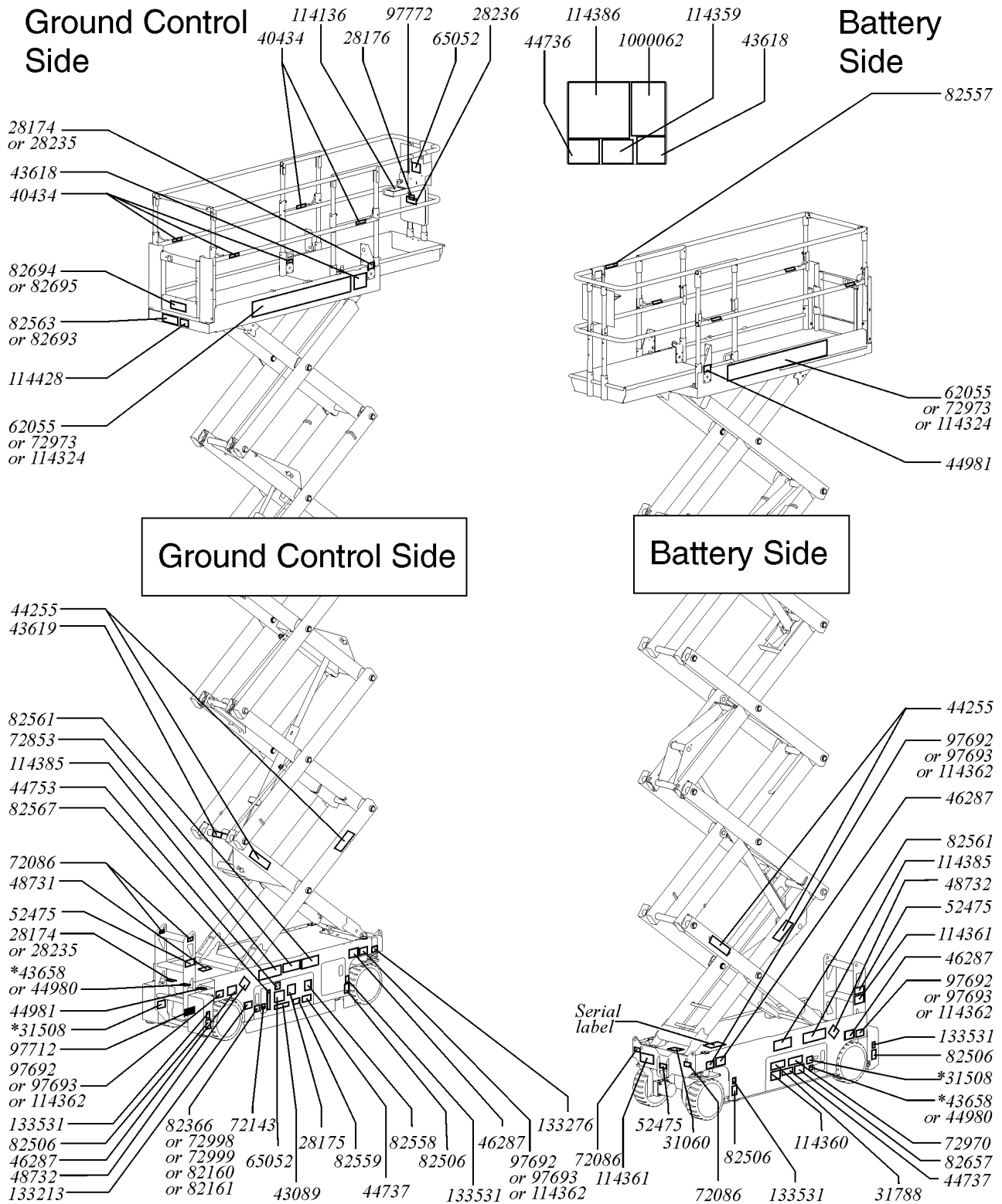


Figure 111.1
GS32 ANSI/CSA Word

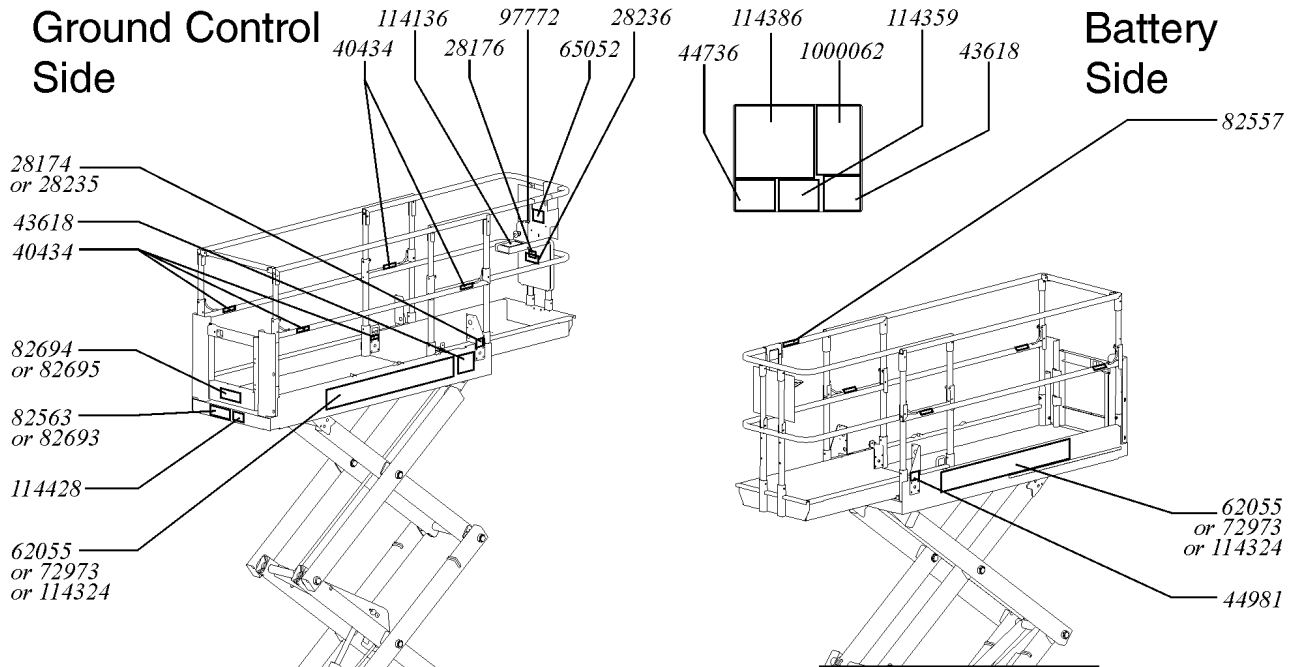


110.1 Decals with Symbols, GS-2032/2632 (Asia and South America) (from SN GS3205-75407 to GS3207-87723)

Item	Part No.	Description	Qty.	Item	Part No.	Description	Qty.
A	160863GT	DECAL KIT,2032,PLAT,SYM,ANSI (ANSI models)		30	97719GT	DECAL, LABEL, SAFETY ARM SYMB....1	
B	160864GT	DECAL KIT,2032,COMP,SYM,ANSI (ANSI models)		31	97772GT	DECAL,OVERLAY,PLAT CONTROLS***.....1	
E	160867GT	DECAL KIT,2632,PLAT,SYM,ANSI (ANSI models)					
F	160868GT	DECAL KIT,2632,COMP,SYM,ANSI (ANSI models)					
1	28174GT	DECAL, POWER TO PLATFORM 230V**.....2					
2	28235GT	DECAL,POWER TO PLATFORM 115V...2					
3	40434GT	DECAL,LANYARD ANCHORAGE POINT.....5					
4	43618GT	DECAL, LABEL - DIRECTION ARROWS.....2					
5	43658GT	DECAL,LABEL,PWR TO CHARGR 230V.....1					
6	44980GT	DECAL,LABEL,PWR TO CHARGR 115V.....1					
7	44981GT	DECAL,LABEL, AIR LINE 110 PSI.....2					
10	52475GT	DECAL,LABEL,TRANSPORT TIEDOWN*.....5					
11	62055GT	DECAL,COSMETIC,GENIE GS-2032....2					
12	72143GT	DECAL,EMERGENCY STOP,GR.....1					
13	72973GT	DECAL,COSMETIC,GENIE GS-2632**...2					
14	82474GT	DECAL,SYMBOL-USE SAFETY ARM...2					
15	82476GT	DECAL,SYMBOL-ELEC HAZARD,GS....2					
16	82481GT	DECAL,SYMBOL-BATTERY SAFETY....1					
17	82482GT	DECAL,LABEL,AUX LOWERING.....1					
18	82487GT	DECAL, SYMBOL - READ THE MANUAL.....2					
19	82495GT	DECAL,SYMBOL-BRAKE REL SAFETY.....1					
20	82496GT	DECAL,SYM-MAXCAP 500.....1 <i>For GS-2632 Models Only</i>					
21	82502GT	DECAL,LABEL,LED READOUT.....1					
22	82560GT	DECAL,SYMBOL-SKIN INJECT HAZRD.....1					
23	82562GT	DECAL,SYMBOL-CRUSHING HAZARD.....4					
24	82567GT	DECAL, GROUND CONTROL PANEL....1					
25	82656GT	DECAL,SYM-SIDE FORCE 445N.....1 <i>For GS-2632 Models Only</i>					
26	82699GT	DECAL,SYM-MAXCAP 800.....1 <i>For GS-2032 Models Only</i>					
27	82701GT	DECAL,SYM-SIDE FORCE 534N.....1 <i>For GS-2032 Models Only</i>					
28	97692GT	DECAL,LABEL,WHEEL LOAD 2032.....4					
29	97693GT	DECAL,LABEL,WHEEL LOAD 2632.....4					

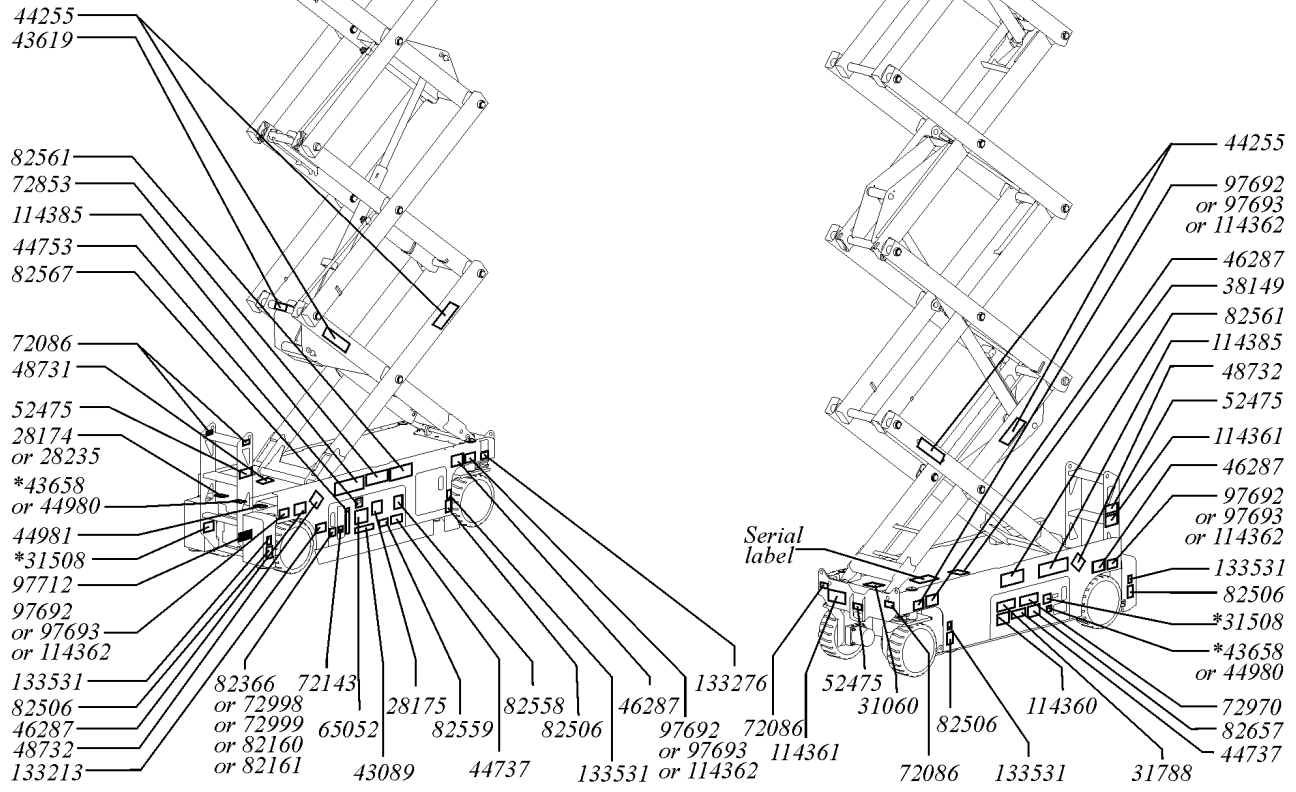


111.1 Decals with Words, 2032/2632 (North America) (from SN 07-87724 to 09-94602; and from 09A-94603 to 11A-109999) GS3232 (from SN 84867 to 11A-109999)



Ground Control Side

Battery Side



111.1 Decals with Words, 2032/2632 (North America) (from SN 07-87724 to 09-94602; and from 09A-94603 to 11A-109999) GS3232 (from SN 84867 to 11A-109999)

Item	Part No.	Description	Qty.	Item	Part No.	Description	Qty.
A	231561GT	DECAL KIT,2032 COMP.,WRD,ANSI <i>Complete kit for ANSI GS-2032</i>		24	62055GT	DECAL,COSMETIC,GENIE GS-2032.....2	
B	231560GT	DECAL KIT,2032 PLAT,WRD,ANSI <i>Platform Only kit for ANSI GS-2032</i>		25	65052GT	DECAL,LABEL,FAULT CODES.....2	
C	233278GT	DECAL KIT,2632 PLAT,WRD,ANSI <i>Platform Only kit for ANSI GS-2632</i>		26	72086GT	DECAL,LABEL,LIFTING EYE.....4	
D	233279GT	DECAL KIT,2632 COMP,WRD,ANSI <i>Complete kit for ANSI GS-2632</i>		27	72143GT	DECAL,EMERGENCY STOP,GR.....1	
E	233280GT	DECAL KIT,3232 PLAT,WRD,ANSI <i>Platform Only kit for ANSI GS-3232 (from SN 07-87724 to 11A-109999)</i>		28	72853GT	DECAL,DANGER,IMPROPER USE HAZ.....1	
F	233281GT	DECAL KIT,3232 COMP,WRD,ANSI <i>Complete kit for ANSI GS-3232 (from SN 07-87724 to 11A-109999)</i>		29	72970GT	DECAL,INSTRUCTIONS-CHARGER OP.....1	
1	28174GT	DECAL, POWER TO PLATFORM 230V**.....2		30	72973GT	DECAL,COSMETIC,GENIE GS-2632**...2	
2	28175GT	DECAL,WARNING-COMPART ACCESS.....1		31	72998GT	DECAL,LABEL,QUINTOLUBRIK.....1 <i>For Models with Quintolub Hydraulic Oil Only</i>	
3	28176GT	DECAL,LABEL,MANUAL NOT HERE.....1		32	72999GT	DECAL,LABEL,PETRO CANADA***.....1 <i>For Models with Petro Canada Hydraulic Oil Only</i>	
4	28235GT	DECAL,POWER TO PLATFORM 115V...2		33	82160GT	DECAL,LABEL,STATOIL HYDRA WAY.....1 <i>For Models with Statoil Hydraulic Oil Only</i>	
5	28236GT	DECAL,WARN,IMPROPER OPERATION.....1		34	82161GT	DECAL,LABEL,UCON HYDROLUBE.....1 <i>For Models with Ucon Hydrolube Hydraulic Oil Only</i>	
6	31060GT	DECAL,DANGER DO NOT ALTER SWTC.....1		35	82366GT	DECAL,CHEVRON RANDO HD.....1 <i>For Models with Chevron Rando Hydraulic Oil Only</i>	
7	31508GT	DECAL,DANGER,ELECT HAZARD,PLUG.....1 <i>Found in one of two locations</i>		36	82506GT	DECAL,WARNING-FOOT CRUSHING...4	
8	31788GT	DECAL,DANGER,BATTERY SAFETY***.....1		37	82557GT	DECAL,LABEL,PLAT CONT LOCATION.....1	
9	40434GT	DECAL,LANYARD ANCHORAGE POINT.....5		38	82558GT	DECAL,WARN,SKIN INJECTION HAZ*.....1	
10	43089GT	DECAL,INSTRUCTIONS-OPER,GCP.....1		39	82559GT	DECAL,INSTRUCT-ANNUAL INSP REQ.....1	
11	43618GT	DECAL, LABEL - DIRECTION ARROWS.....2		40	82561GT	DECAL,DANGER-USE SAFETY ARM...2	
12	43619GT	DECAL,LABEL,SAFETY ARM.....1		41	82563GT	DECAL,INSTR-MAX CAP 500 LBS.....1 <i>For GS-2632 and GS-3232 Models Only</i>	
13	43658GT	DECAL,LABEL,PWR TO CHARGR 230V.....1 <i>Found in one of two locations</i>		42	82567GT	DECAL, GROUND CONTROL PANEL....1	
14	44255GT	DECAL,DANGER,CRUSHING HAZARD.....4		43	82657GT	DECAL,INSTRUCT,BATTERY CONNECT.....1	
15	44736GT	DECAL,DANGER,TIP-OVER,TILT.....1		44	82694GT	DECAL,INSTR-SIDE FRC,ANSI 2032....1	
16	44737GT	DECAL DANGER TIP OVER TRAYS.....2		45	82694GT	DECAL,INSTR-SIDE FRC,ANSI 2032....1	
17	44753GT	DECAL, LABEL, LED READOUT.....1		46	82695GT	DECAL,INSTR-SIDE FRC,ANSI.....1 <i>For GS-2632 and GS-3232 Models Only</i>	
18	44980GT	DECAL,LABEL,PWR TO CHARGR 115V.....1 <i>Found in one of two locations</i>		47	97692GT	DECAL,LABEL,WHEEL LOAD 2032....4	
19	44981GT	DECAL,LABEL, AIR LINE 110 PSI.....2		48	97693GT	DECAL,LABEL,WHEEL LOAD 2632....4	
20	46287GT	DECAL,LABEL-TIRE SPECS.....4		49	97712GT	DECAL,DANGER,BRAKE REL SAFETY*.....1	
23	52475GT	DECAL,LABEL,TRANSPORT TIEDOWN*.....3		50	97772GT	DECAL,OVERLAY,PLAT CONTROLS***.....1	
				51	114136GT	OVERLAY,O/R PCON,GS3232.....1	
				52	114324GT	DECAL,COSMETIC-GENIE GS-3232....2	



111.1 Decals with Words, 2032/2632 (North America) (from SN 07-87724 to 09-94602; and from 09A-94603 to 11A-109999) GS3232 (from SN 84867 to 11A-109999)
 (continued)

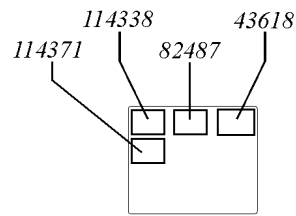
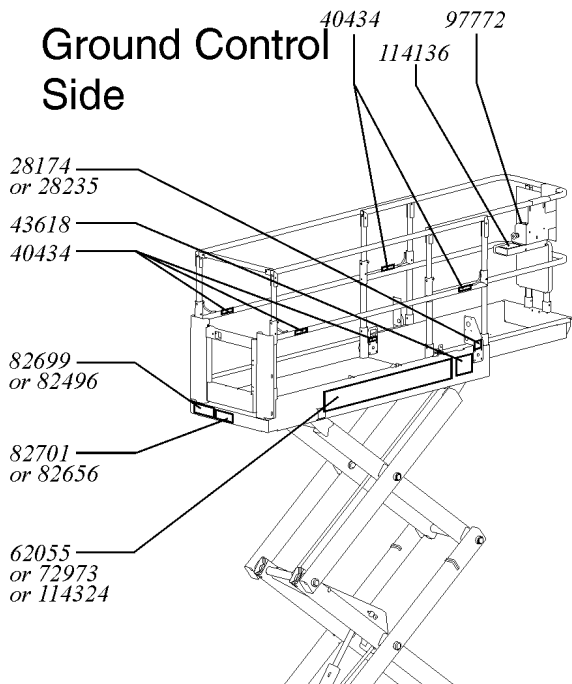
Item	Part No.	Description	Qty.
53	114359GT	DANGER/INSTR-OUTRGR OP-GS3232.....	1
54	114360GT	DECAL,DANGER-TIP-OVER,BATT.....	1
55	114361GT	DECAL,LABEL-TRANSPORT DIGRAM.....	2
56	114362GT	DECAL,LABEL-WHEEL LOAD,GS-3232.....	4
57	114385GT	DECAL,DANGER,ELEC HAZARD,GS.....	2
58	114386GT	DECAL,DANGER-GEN SAFETY.....	1
59	114428GT	DECAL,INSTRUCT,TRAVEL HEIGHT.....	1
60	133213GT	DECAL,NOTICE-DO NOT OPEN DOOR..... <i>For EE Models Only From SN GS3008B-95267</i>	3
61	133276GT	DECAL,EMERGENCY LOWERING.....	1
62	133531GT	LABEL,OUTRIGGER,LOAD,GS-3232.....	4
63	1000062GT	DECAL,INSTRUCT-OP GEN5,GS-32.....	1



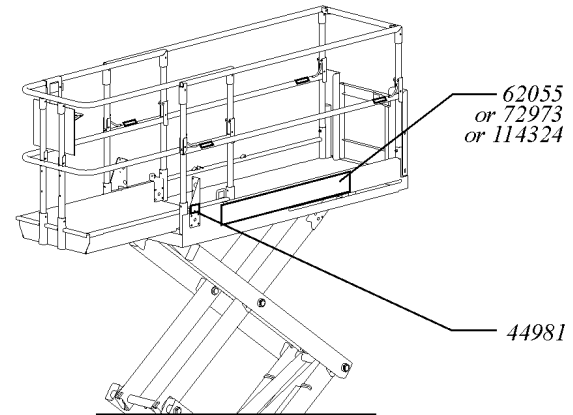
111.1 Decals with Words, 2032/2632 (North America) (from SN 07-87724 to 09-94602; and from 09A-94603 to 11A-109999) GS3232 (from SN 84867 to 11A-109999)
(continued)

This Page Intentionally Left Blank

112.1 Decals with Symbols, GS-2032/2632/3232 (Asia and South America) (from SN GS3207-87724 to GS3211A-109999)

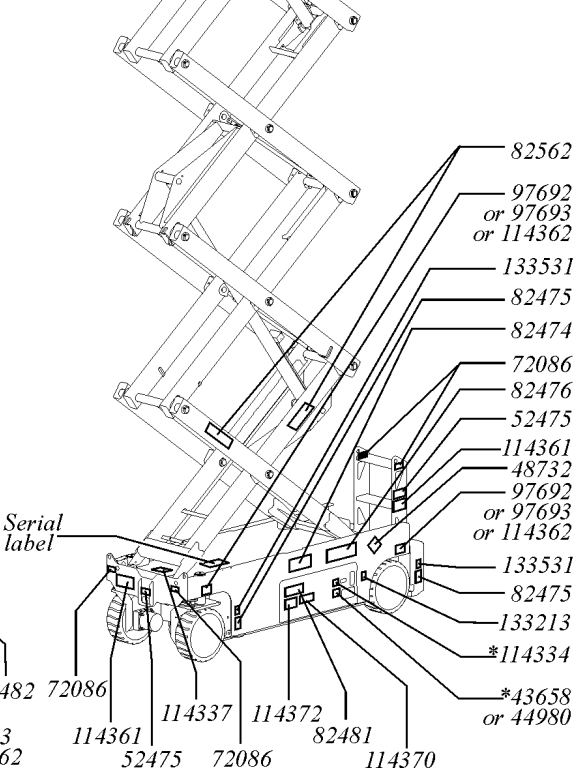
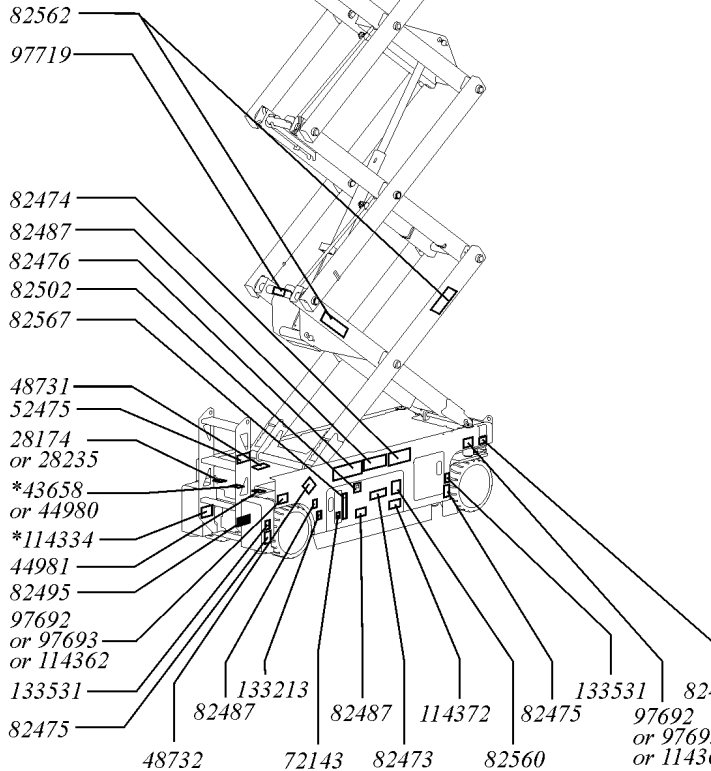


Battery Side



Ground Control Side

Battery Side

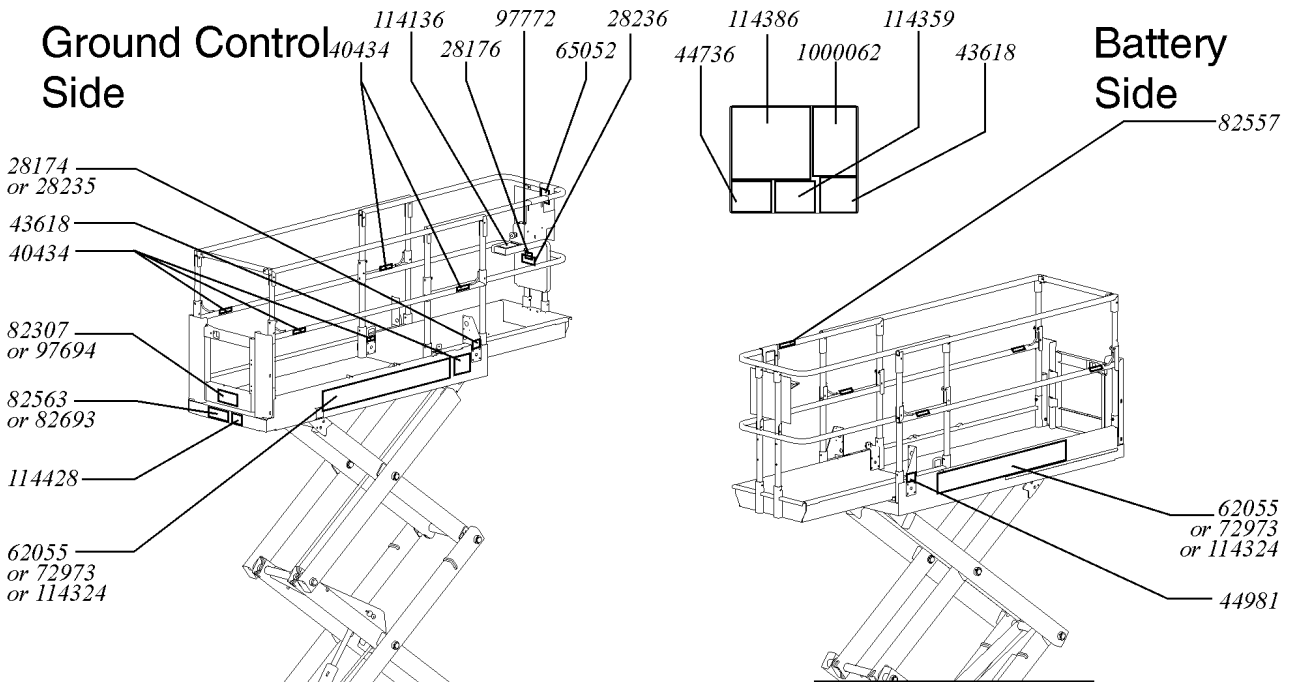


112.1 Decals with Symbols, GS-2032/2632/3232 (Asia and South America) (from SN GS3207-87724 to GS3211A-109999)

Item	Part No.	Description	Qty.	Item	Part No.	Description	Qty.
A	233282GT	DECAL KIT,2032 PLAT,SYM,ANSI <i>Platform Only kit for ANSI GS-2032</i>		27	82567GT	DECAL, GROUND CONTROL PANEL....1	
B	233283GT	DECAL KIT,2032 COMP,SYM,ANSI <i>Complete kit for ANSI GS-2032</i>		28	82656GT	DECAL,SYM-SIDE FORCE 445N.....1 <i>For GS-2632 and GS-3232Models Only</i>	
C	233284GT	DECAL KIT,2632 PLAT,SYM,ANSI <i>Platform Only kit for ANSI GS-2632</i>		29	82699GT	DECAL,SYM-MAXCAP 800.....1 <i>For GS-2032 Models Only</i>	
D	233285GT	DECAL KIT,2632 COMP,SYM,ANSI <i>Complete kit for ANSI GS-2632</i>		30	82701GT	DECAL,SYM-SIDE FORCE 534N.....1 <i>For GS-2032 Models Only</i>	
E	233286GT	DECAL KIT,3232 PLAT,SYM,ANSI <i>Platform Only kit for ANSI GS-3232</i>		31	97692GT	DECAL,LABEL,WHEEL LOAD 2032.....4	
F	233287GT	DECAL KIT,3232 COMP,SYM,ANSI <i>Complete kit for ANSI GS-3232</i>		32	97693GT	DECAL,LABEL,WHEEL LOAD 2632.....4	
1	28174GT	DECAL, POWER TO PLATFORM 230V**.....2		33	97719GT	DECAL, LABEL, SAFETY ARM SYMB....1	
2	28235GT	DECAL,POWER TO PLATFORM 115V...2		34	97772GT	DECAL,OVERLAY,PLAT CONTROLS***.....1	
3	40434GT	DECAL,LANYARD ANCHORAGE POINT.....5		35	114136GT	OVERLAY,O/R PCON,GS3232.....1	
4	43618GT	DECAL, LABEL - DIRECTION ARROWS.....2		36	114324GT	DECAL,COSMETIC-GENIE GS-3232.....2	
5	43658GT	DECAL,LABEL,PWR TO CHARGR 230V.....1 <i>Found in one of two locations</i>		37	114334GT	DECAL,SYM-ELEC HAZARD,PLUG.....1 <i>Found in one of two locations</i>	
6	44980GT	DECAL,LABEL,PWR TO CHARGR 115V.....1 <i>Found in one of two locations</i>		38	114337GT	DECAL,SYM-TIP-OVER,LIM SWITCH....1	
7	44981GT	DECAL,LABEL, AIR LINE 110 PSI.....2		39	114338GT	DECAL,SYM-TIP-OVER,TILT ALARM....1	
10	52475GT	DECAL,LABEL,TRANSPORT TIEDOWN*.....3		40	114361GT	DECAL,LABEL-TRANSPORT DIGRAM.....2	
11	62055GT	DECAL,COSMETIC,GENIE GS-2032....2		41	114362GT	DECAL,LABEL-WHEEL LOAD,GS-3232.....4	
12	72086GT	DECAL,LABEL,LIFTING EYE.....4		42	114370GT	DECAL-SYM-TIP-OVR,BATTRIES.....1	
13	72143GT	DECAL,EMERGENCY STOP,GR.....1		43	114371GT	DECAL,SYM-TIP-OVER,OUTRGR.....1	
14	72973GT	DECAL,COSMETIC,GENIE GS-2632**..2		44	114372GT	DECAL SYMBOL TIP OVER TRAYS.....2	
15	82473GT	DECAL,SYMBOL-COMP ACCESS.....1		45	133213GT	DECAL,NOTICE-DO NOT OPEN DOOR.....3 <i>For EE Models Only From SN GS3008B-95267</i>	
16	82474GT	DECAL,SYMBOL-USE SAFETY ARM....2		46	133531GT	LABEL,OUTRIGGER,LOAD,GS-3232....4	
17	82475GT	DECAL,SYMBOL-FOOT CRUSHING....4					
18	82476GT	DECAL,SYMBOL-ELEC HAZARD,GS....2					
19	82481GT	DECAL,SYMBOL-BATTERY SAFETY....1					
20	82482GT	DECAL,LABEL,AUX LOWERING.....1					
21	82487GT	DECAL, SYMBOL - READ THE MANUAL.....2					
22	82495GT	DECAL,SYMBOL-BRAKE REL SAFETY.....1					
23	82496GT	DECAL,SYM-MAXCAP 500.....1 <i>For GS-2632 and GS-3232Models Only</i>					
24	82502GT	DECAL,LABEL,LED READOUT.....1					
25	82560GT	DECAL,SYMBOL-SKIN INJECT HAZRD.....1					
26	82562GT	DECAL,SYMBOL-CRUSHING HAZARD.....4					

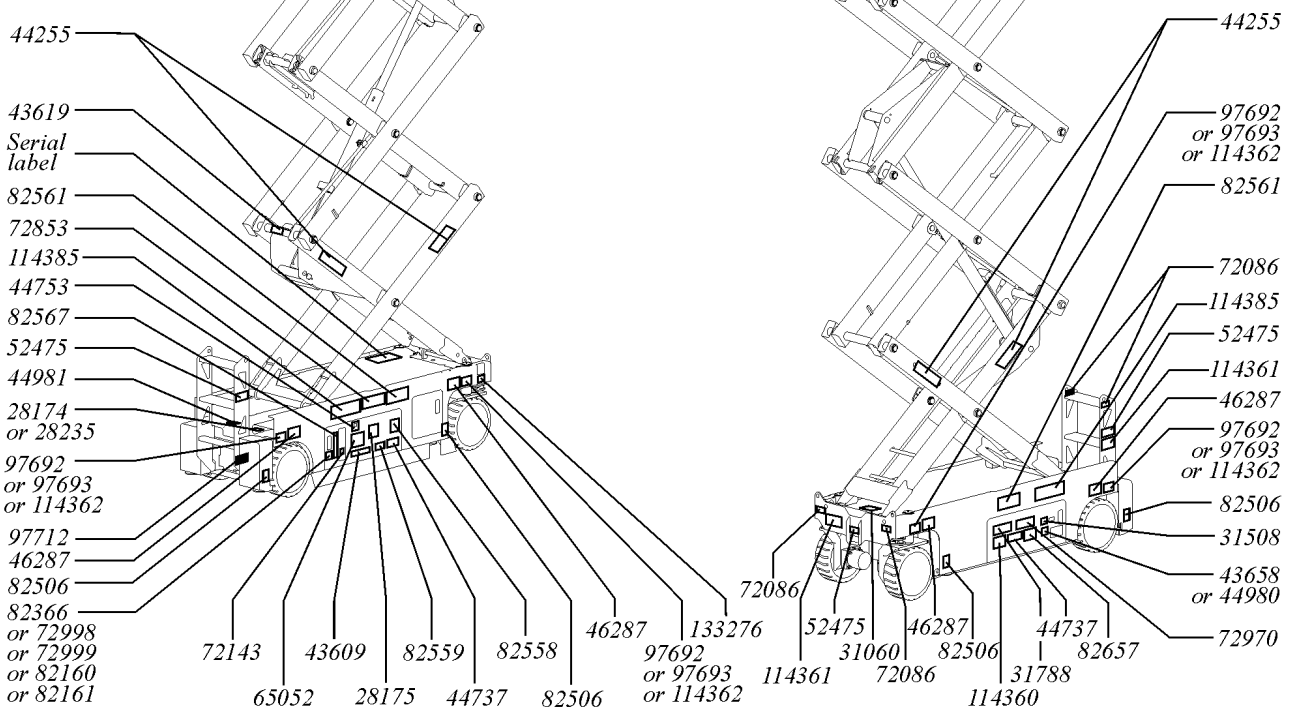


113.1 Decals with Words, GS-2032/2632/3232 (Australia) (from SN GS3207-87724 to GS3209-94602; and from GS3209A-94603 to GS3211A-96461)



Ground Control Side

Battery Side



113.1 Decals with Words, GS-2032/2632/3232 (Australia) (from SN GS3207-87724 to GS3209-94602; and from GS3209A-94603 to GS3211A-96461)

Item	Part No.	Description	Qty.	Item	Part No.	Description	Qty.
A	161115GT	DECAL KIT,2032,PLAT,WORD,AUS <i>Platform only kit for Australia GS-2032</i>		26	72853GT	DECAL,DANGER,IMPROPER USE HAZ.....	1
B	161116GT	DECAL KIT,2032,COMP,WORD,AUS <i>Complete kit for Australia GS-2032</i>		27	72970GT	DECAL,INSTRUCTIONS-CHARGER OP.....	1
C	161117GT	DECAL KIT,2632,PLAT,WORD,AUS <i>Platform only kit for Australia GS-2632</i>		28	72973GT	DECAL,COSMETIC,GENIE GS-2632**...2	
D	161118GT	DECAL KIT,2632,COMP,WORD,AUS <i>Complete kit for Australia GS-2632</i>		29	72998GT	DECAL,LABEL,QUINTOLUBRIK.....1 <i>For Models with Quintolub Hydraulic Oil Only</i>	
E	161119GT	DECAL KIT,3232,PLAT,WORD,AUS <i>Platform only kit for Australia GS-32032</i>		30	72999GT	DECAL,LABEL,PETRO CANADA***.....1	
F	161120GT	DECAL KIT,3232,COMP,WORD,AUS <i>Complete kit for Australia GS-3232</i>		31	82160GT	DECAL,LABEL,STATOIL HYDRA WAY.....	1
1	28174GT	DECAL, POWER TO PLATFORM 230V**.....	2	32	82161GT	DECAL,LABEL,UCON HYDROLUBE.....1	
2	28175GT	DECAL,WARNING-COMPART ACCESS.....	1	33	82307GT	DECAL,INSTR,INDOOR,AUS-26/3232...1 <i>For GS-2632 and GS-3232 Models Only</i>	
3	28176GT	DECAL,LABEL,MANUAL NOT HERE.....1		34	82366GT	DECAL,CHEVRON RANDO HD.....1	
4	28235GT	DECAL,POWER TO PLATFORM 115V...2		35	82506GT	DECAL,WARNING-FOOT CRUSHING...4	
5	28236GT	DECAL,WARN,IMPROPER OPERATION.....	1	36	82557GT	DECAL,LABEL,PLAT CONT LOCATION.....	1
6	31060GT	DECAL,DANGER DO NOT ALTER SWTC.....	1	37	82558GT	DECAL,WARN,SKIN INJECTION HAZ*.....	1
7	31508GT	DECAL,DANGER,ELECT HAZARD,PLUG.....	1	38	82559GT	DECAL,INSTRUCT-ANNUAL INSP REQ.....	1
8	31788GT	DECAL,DANGER,BATTERY SAFETY***.....	1	39	82561GT	DECAL,DANGER-USE SAFETY ARM...2	
9	40434GT	DECAL,LANYARD ANCHORAGE POINT.....	5	40	82563GT	DECAL,INSTR-MAX CAP 500 LBS.....1 <i>For GS-2632 and GS-3232 Models Only</i>	
10	43089GT	DECAL,INSTRUCTIONS-OPER,GCP.....1		41	82567GT	DECAL, GROUND CONTROL PANEL...1	
11	43618GT	DECAL, LABEL - DIRECTION ARROWS.....	2	42	82657GT	DECAL,INSTRUCT,BATTERY CONNECT.....	1
12	43619GT	DECAL,LABEL,SAFETY ARM.....1		43	82693GT	DECAL,INSTR-MAX CAP 800 LBS.....1 <i>For GS-2032 Models Only</i>	
13	43658GT	DECAL,LABEL,PWR TO CHARGR 230V.....	1	44	97692GT	DECAL,LABEL,WHEEL LOAD 2032.....4	
14	44255GT	DECAL,DANGER,CRUSHING HAZARD.....	4	45	97693GT	DECAL,LABEL,WHEEL LOAD 2632.....4	
15	44736GT	DECAL,DANGER,TIP-OVER,TILT.....1		46	97694GT	DECAL,INSTR-MANUALFRC,AUS 2032.....1 <i>For GS-2032 Models Only</i>	
16	44737GT	DECAL DANGER TIP OVER TRAYS.....2		47	97712GT	DECAL,DANGER,BRAKE REL SAFETY*.....	1
17	44753GT	DECAL, LABEL, LED READOUT.....1		48	97772GT	DECAL,OVERLAY,PLAT CONTROLS***.....	1
18	44980GT	DECAL,LABEL,PWR TO CHARGR 115V.....	1	49	114136GT	OVERLAY,O/R PCON,GS3232.....1	
19	44981GT	DECAL,LABEL, AIR LINE 110 PSI.....2		50	114324GT	DECAL,COSMETIC-GENIE GS-3232.....2	
20	46287GT	DECAL,LABEL-TIRE SPECS.....4		51	114359GT	DANGER/INSTR-OUTRGR OP-GS3232.....	1
21	52475GT	DECAL,LABEL,TRANSPORT TIEDOWN*.....	3	52	114360GT	DECAL,DANGER-TIP-OVER,BATT.....1	
22	62055GT	DECAL,COSMETIC,GENIE GS-2032.....2		53	114361GT	DECAL,LABEL-TRANSPORT DIGRAM.....	2
23	65052GT	DECAL,LABEL,FAULT CODES.....2		54	114362GT	DECAL,LABEL-WHEEL LOAD,GS-3232.....	4
24	72086GT	DECAL,LABEL,LIFTING EYE.....4		55	114385GT	DECAL,DANGER,ELEC HAZARD,GS.....2	
25	72143GT	DECAL,EMERGENCY STOP,GR.....1					



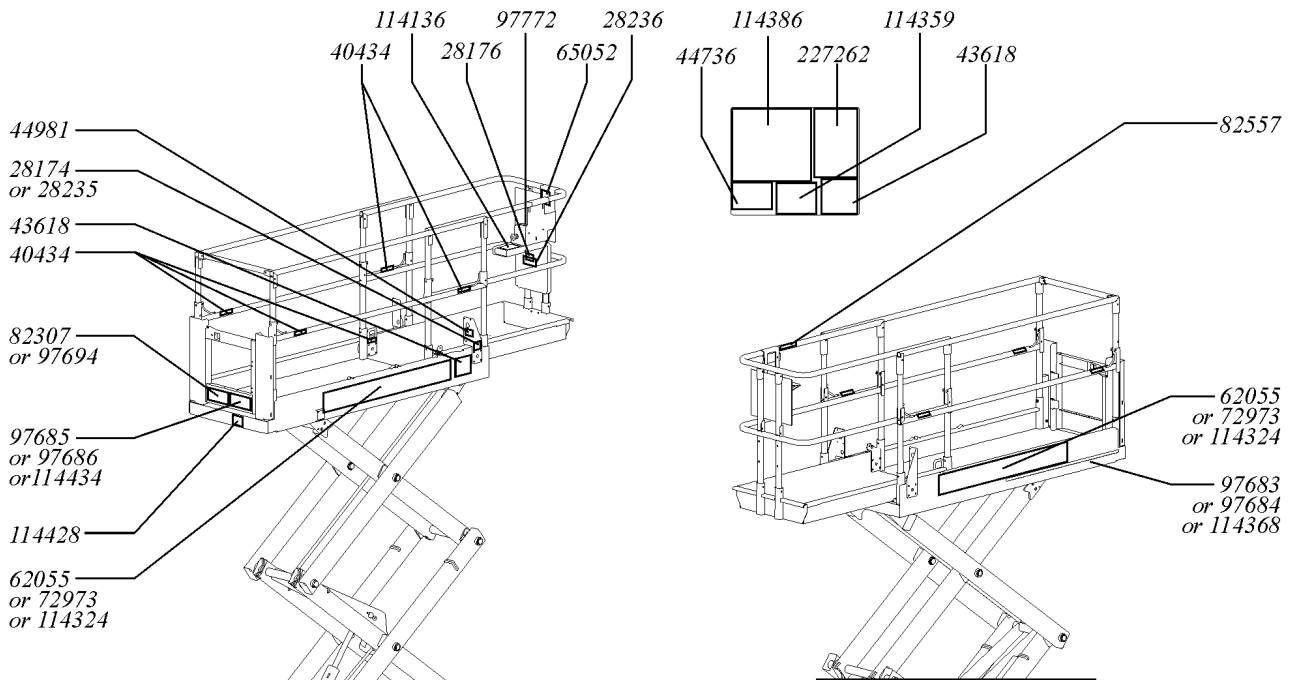
113.1 Decals with Words, GS-2032/2632/3232 (Australia) (from SN GS3207-87724 to GS3209-94602; and from GS3209A-94603 to GS3211A-96461)
(continued)

Item	Part No.	Description	Qty.
56	114386GT	DECAL,DANGER-GEN SAFETY.....1	
57	114428GT	DECAL,INSTRUCT,TRAVEL HEIGHT.....1	
58	133276GT	DECAL,EMERGENCY LOWERING.....1	
60	1000062GT	DECAL,INSTRUCT-OP GEN5,GS-32.....1	

113.1 Decals with Words, GS-2032/2632/3232 (Australia) (from SN GS3207-87724 to GS3209-94602; and from GS3209A-94603 to GS3211A-96461)
(continued)

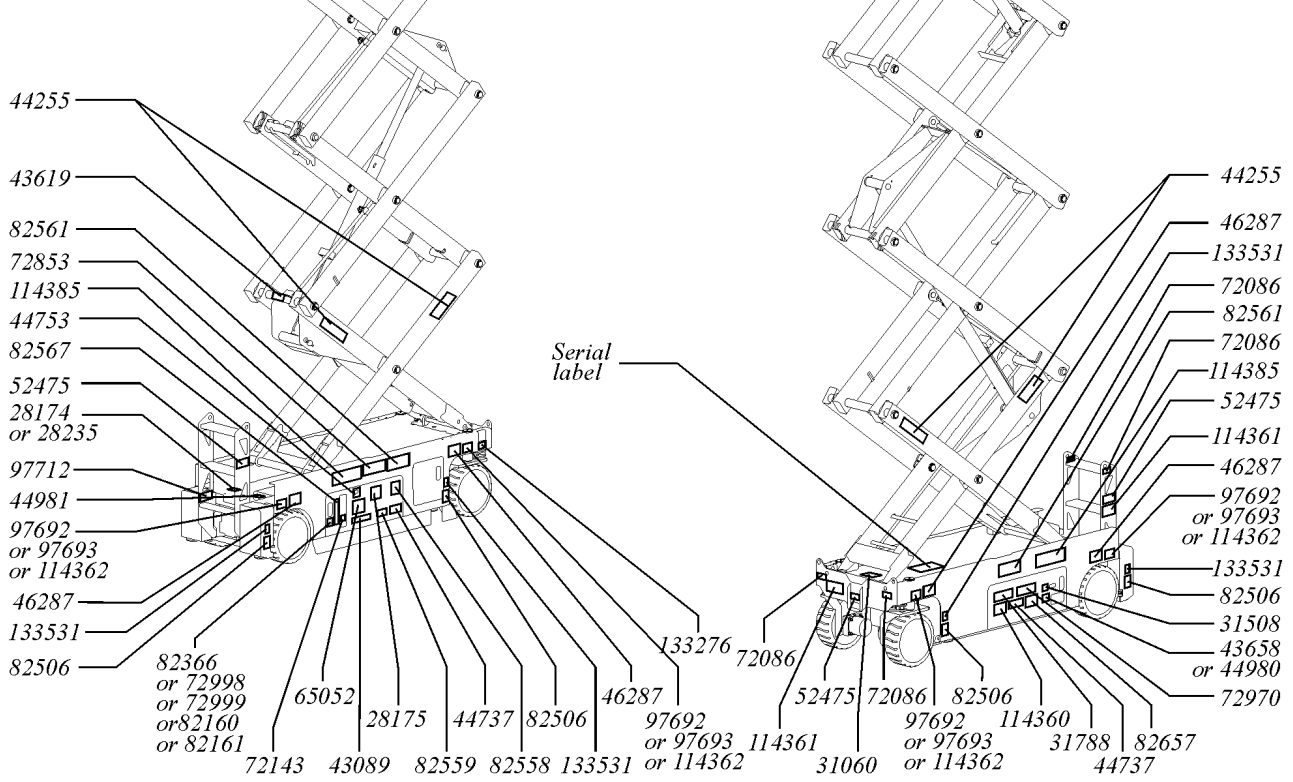
This Page Intentionally Left Blank

114.1 Decals with Words, GS-2032/2632/3232 (Australia) (from SN GS3211A-96462 to GS3211A-109999)



Ground Control Side

Battery Side



114.1 Decals with Words, GS-2032/2632/3232 (Australia) (from SN GS3211A-96462 to GS3211A-109999)

Item	Part No.	Description	Qty.	Item	Part No.	Description	Qty.
A	161127GT	DECAL KIT,2032,PLAT,WORD,AUS <i>Platform only kit for Australia GS-2032</i>		26	72853GT	DECAL,DANGER,IMPROPER USE HAZ.....	1
B	161128GT	DECAL KIT,2032,COMP,WORD,AUS <i>Complete kit for Australia GS-2032</i>		27	72970GT	DECAL,INSTRUCTIONS-CHARGER OP.....	1
C	161129GT	DECAL KIT,2632,PLAT,WORD,AUS <i>Platform only kit for Australia GS-2632</i>		28	72973GT	DECAL,COSMETIC,GENIE GS-2632**....	2
D	161130GT	DECAL KIT,2632,COMP,WORD,AUS <i>Complete kit for Australia GS-2632</i>		29	72998GT	DECAL,LABEL,QUINTOLUBRIK.....	1
E	161131GT	DECAL KIT,3232,PLAT,WORD,AUS <i>Platform only kit for Australia GS-3232</i>		30	72999GT	DECAL,LABEL,PETRO CANADA***.....	1
F	161181GT	FP-BALLAST BOX TOP <i>Complete kit for Australia GS-3232</i>		31	82160GT	DECAL,LABEL,STATOIL HYDRA WAY.....	1
1	28174GT	DECAL, POWER TO PLATFORM 230V**.....	2	32	82161GT	DECAL,LABEL,UCON HYDROLUBE.....	1
2	28175GT	DECAL,WARNING-COMPART ACCESS.....	1	33	82307GT	DECAL,INSTR,INDOOR,AUS-26/3232...1 <i>For GS-2632 and GS-3232 Models Only</i>	
3	28176GT	DECAL,LABEL,MANUAL NOT HERE.....	1	34	82366GT	DECAL,CHEVRON RANDO HD.....	1
4	28235GT	DECAL,POWER TO PLATFORM 115V...2		35	82506GT	DECAL,WARNING-FOOT CRUSHING...4	
5	28236GT	DECAL,WARN,IMPROPER OPERATION.....	1	36	82557GT	DECAL,LABEL,PLAT CONT LOCATION.....	1
6	31060GT	DECAL,DANGER DO NOT ALTER SWTC.....	1	37	82558GT	DECAL,WARN,SKIN INJECTION HAZ*.....	1
7	31508GT	DECAL,DANGER,ELECT HAZARD,PLUG.....	1	38	82559GT	DECAL,INSTRUCT-ANNUAL INSP REQ.....	1
8	31788GT	DECAL,DANGER,BATTERY SAFETY***.....	1	39	82561GT	DECAL,DANGER-USE SAFETY ARM...2	
9	40434GT	DECAL,LANYARD ANCHORAGE POINT.....	5	40	82567GT	DECAL, GROUND CONTROL PANEL....1	
10	43089GT	DECAL,INSTRUCTIONS-OPER,GCP.....1		41	82657GT	DECAL,INSTRUCT,BATTERY CONNECT.....	1
11	43618GT	DECAL, LABEL - DIRECTION ARROWS.....	2	42	97683GT	DECAL,LABEL,CAP IND CE GS2032....1 <i>For Models with Capacity Indicator</i>	
12	43619GT	DECAL,LABEL,SAFETY ARM.....	1	43	97684GT	DECAL,LABEL,CAP IND CE2632.....1 <i>For Models with Capacity Indicator</i>	
13	43658GT	DECAL,LABEL,PWR TO CHARGR 230V.....	1	44	97685GT	DECAL,SYM-MAXCAP CE GS2032.....1	
14	44255GT	DECAL,DANGER,CRUSHING HAZARD.....	4	45	97686GT	DECAL,SYM-MAXCAP CE GS2632.....1	
15	44736GT	DECAL,DANGER,TIP-OVER,TILT.....1		46	97692GT	DECAL,LABEL,WHEEL LOAD 2032....4	
16	44737GT	DECAL DANGER TIP OVER TRAYS.....2		47	97693GT	DECAL,LABEL,WHEEL LOAD 2632....4	
17	44753GT	DECAL, LABEL, LED READOUT.....1		48	97694GT	DECAL,INSTR-MANUALFRC,AUS 2032.....	1
18	44980GT	DECAL,LABEL,PWR TO CHARGR 115V.....	1	49	97712GT	DECAL,DANGER,BRAKE REL SAFETY*.....	1
19	44981GT	DECAL,LABEL, AIR LINE 110 PSI.....2		50	97772GT	DECAL,OVERLAY,PLAT CONTROLS***.....	1
20	46287GT	DECAL,LABEL-TIRE SPECS.....4		51	114136GT	OVERLAY,O/R PCON,GS3232.....1	
21	52475GT	DECAL,LABEL,TRANSPORT TIEDOWN*.....	3	52	114324GT	DECAL,COSMETIC-GENIE GS-3232....2	
22	62055GT	DECAL,COSMETIC,GENIE GS-2032....2					
23	65052GT	DECAL,LABEL,FAULT CODES.....2					
24	72086GT	DECAL,LABEL,LIFTING EYE.....4					
25	72143GT	DECAL,EMERGENCY STOP,GR.....1					



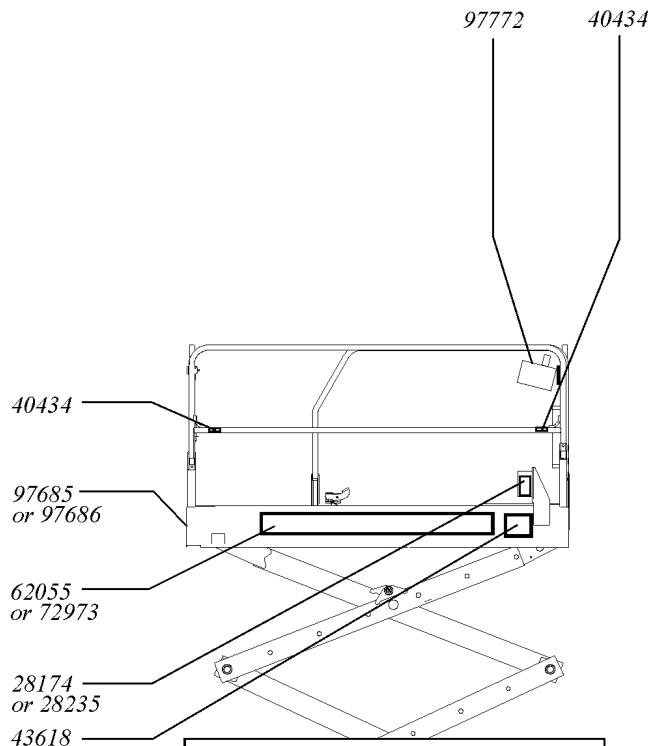
114.1 Decals with Words, GS-2032/2632/3232 (Australia) (from SN GS3211A-96462 to GS3211A-109999)
(continued)

Item	Part No.	Description	Qty.
53	114359GT	DANGER/INSTR-OUTRGR OP-GS3232.....	1
54	114360GT	DECAL,DANGER-TIP-OVER,BATT.....	1
55	114361GT	DECAL,LABEL-TRANSPORT DIGRAM.....	2
56	114362GT	DECAL,LABEL-WHEEL LOAD,GS-3232.....	4
57	114368GT	DECAL,LABEL,CAP IND CE3232..... <i>For Models with Capacity Indicator</i>	1
58	114385GT	DECAL,DANGER,ELEC HAZARD,GS.....	2
59	114386GT	DECAL,DANGER-GEN SAFETY.....	1
60	114428GT	DECAL,INSTRUCT,TRAVEL HEIGHT.....	1
61	114434GT	DECAL,SYM-MAXCAP CE GS3232.....	1
62	133276GT	DECAL,EMERGENCY LOWERING.....	1
63	133531GT	LABEL,OUTRIGGER,LOAD,GS-3232.....	4
64	227262GT	DECAL,OP INST,AUS,GS-32.....	1

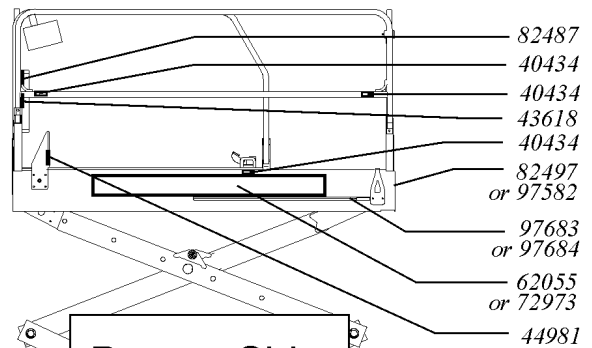
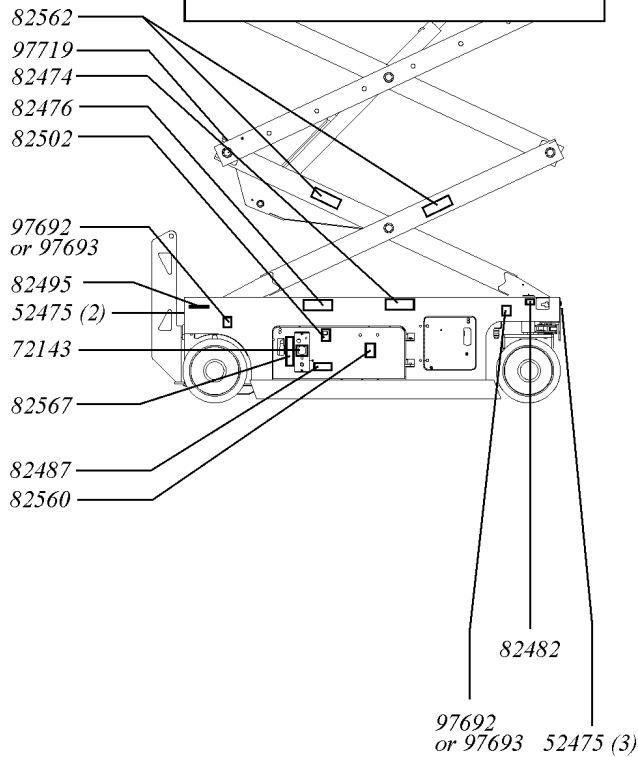
114.1 Decals with Words, GS-2032/2632/3232 (Australia) (from SN GS3211A-96462 to GS3211A-109999)
(continued)

This Page Intentionally Left Blank

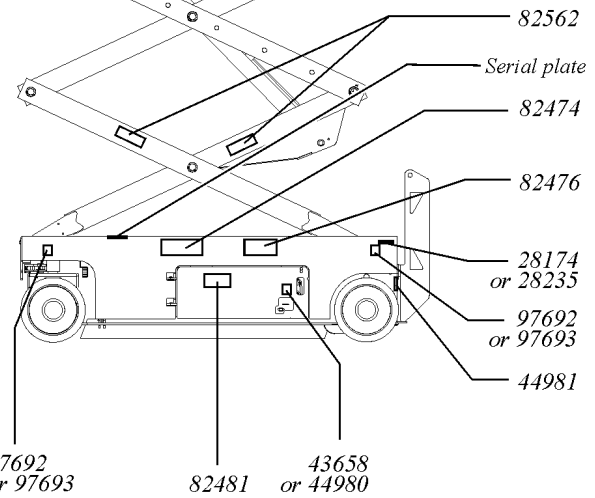
115.1 Decals with Symbols, GS-2032/2632 (Europe) (from SN GS3205-75407 to GS3207-87723)



Ground Control Side



Battery Side

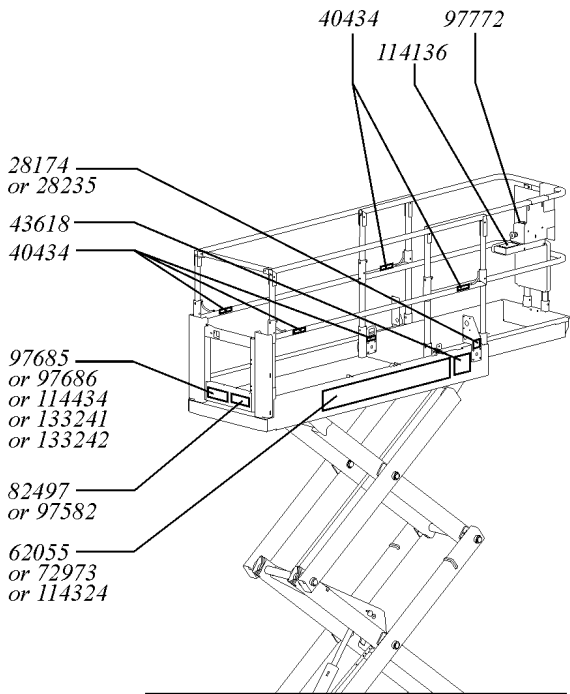


115.1 Decals with Symbols, GS-2032/2632 (Europe) (from SN GS3205-75407 to GS3207-87723)

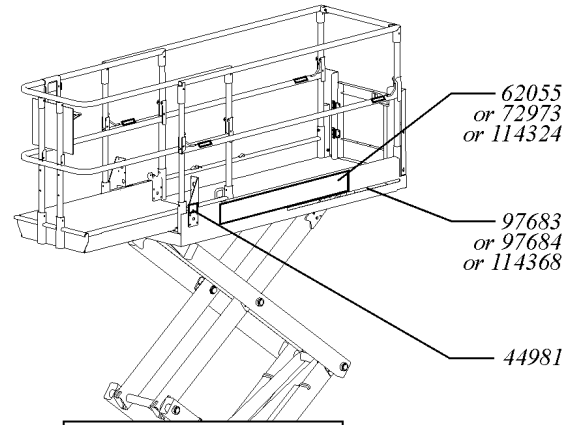
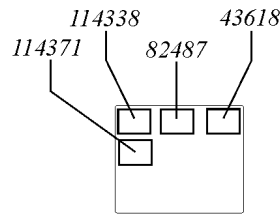
Item	Part No.	Description	Qty.	Item	Part No.	Description	Qty.
A	160865GT	DECAL KIT,2032,PLAT,SYM,CE (CE models)		29	97693GT	DECAL,LABEL,WHEEL LOAD 2632.....4	
B	160866GT	DECAL KIT,2032,COMP,SYM,CE (CE models)		30	97719GT	DECAL, LABEL, SAFETY ARM SYMB....1	
C	160869GT	DECAL KIT,2632,PLAT,SYM,CE (CE models)		31	97772GT	DECAL,OVERLAY,PLAT CONTROLS***.....1	
D	160870GT	DECAL KIT,2632,COMP,SYM,CE (CE models)					
1	28174GT	DECAL, POWER TO PLATFORM 230V**.....2					
2	28235GT	DECAL,POWER TO PLATFORM 115V...2					
3	40434GT	DECAL,LANYARD ANCHORAGE POINT.....5					
4	43618GT	DECAL, LABEL - DIRECTION ARROWS.....2					
5	43658GT	DECAL,LABEL,PWR TO CHARGR 230V.....1					
6	44980GT	DECAL,LABEL,PWR TO CHARGR 115V.....1					
7	44981GT	DECAL,LABEL, AIR LINE 110 PSI.....2					
8	52475GT	DECAL,LABEL,TRANSPORT TIEDOWN*.....5					
9	62055GT	DECAL,COSMETIC,GENIE GS-2032....2					
10	72143GT	DECAL,EMERGENCY STOP,GR.....1					
11	72973GT	DECAL,COSMETIC,GENIE GS-2632**...2					
12	82474GT	DECAL,SYMBOL-USE SAFETY ARM...2					
13	82476GT	DECAL,SYMBOL-ELEC HAZARD,GS....2					
14	82481GT	DECAL,SYMBOL-BATTERY SAFETY....1					
15	82482GT	DECAL,LABEL,AUX LOWERING.....1					
16	82487GT	DECAL, SYMBOL - READ THE MANUAL.....2					
17	82495GT	DECAL,SYMBOL-BRAKE REL SAFETY.....1					
18	82497GT	DECAL,SYM-SIDEFORCE 200400.....1 <i>For GS-2032 Models Only</i>					
19	82502GT	DECAL,LABEL,LED READOUT.....1					
20	82560GT	DECAL,SYMBOL-SKIN INJECT HAZRD.....1					
21	82562GT	DECAL,SYMBOL-CRUSHING HAZARD.....4					
22	82567GT	DECAL, GROUND CONTROL PANEL....1					
23	97582GT	DECAL,SYM-SIDEFORCE 400N ID.....1 <i>For GS-2632 Models Only</i>					
24	97683GT	DECAL,LABEL,CAP IND CE GS2032.....1					
25	97684GT	DECAL,LABEL,CAP IND CE2632.....1					
26	97685GT	DECAL,SYM-MAXCAP CE GS2032.....1					
27	97686GT	DECAL,SYM-MAXCAP CE GS2632.....1					
28	97692GT	DECAL,LABEL,WHEEL LOAD 2032.....4					



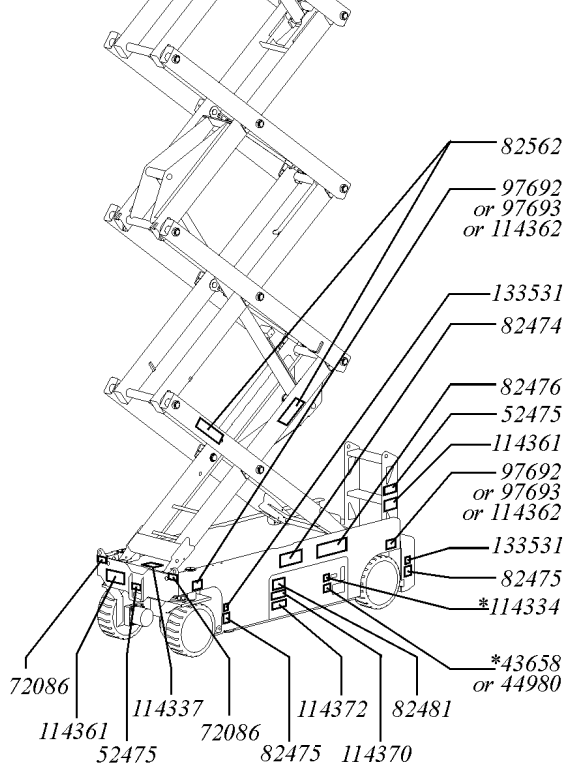
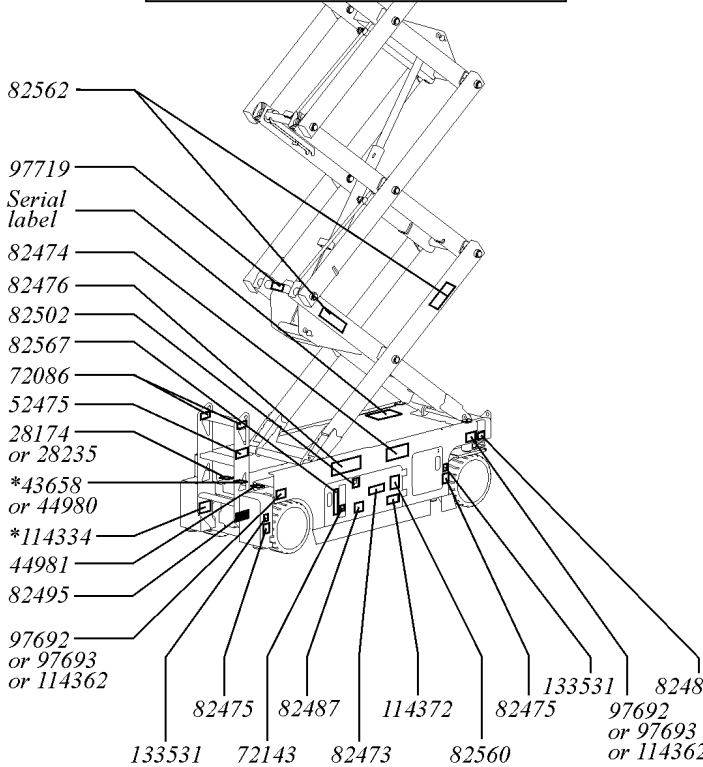
116.1 Decals with Symbols, GS-2032/2632/3232 (Europe) (from SN GS3207-87724 to GS3209-94602; from GS3209A-94603; and from GS3208C-101 TO GS3212C-9999)



Ground Control Side



Battery Side



116.1 Decals with Symbols, GS-2032/2632/3232 (Europe) (from SN GS3207-87724 to GS3209-94602; from GS3209A-94603; and from GS3208C-101 TO GS3212C-9999)

Item	Part No.	Description	Qty.	Item	Part No.	Description	Qty.
A	233308GT	DECAL KIT,2032 PLAT,SYM,CE <i>Platform Only kit for CE GS-2032</i>		25	82567GT	DECAL, GROUND CONTROL PANEL....1	
B	233309GT	DECAL KIT,2032 COMP,SYM,CE <i>Complete kit for CE GS-2032</i>		26	97582GT	DECAL,SYM-SIDEFORCE 400N ID.....1 <i>For GS-2632 and GS-3232 Models Only</i>	
C	233310GT	DECAL KIT,2632 PLAT,SYM,CE <i>Platform Only kit for CE GS-2632</i>		27	97683GT	DECAL,LABEL,CAP IND CE GS2032.....1 <i>For Models with Capacity Indicator</i>	
D	233311GT	DECAL KIT,2632 COMP,SYM,CE <i>Complete kit for CE GS-2632</i>		28	97684GT	DECAL,LABEL,CAP IND CE2632.....1 <i>For Models with Capacity Indicator</i>	
E	233312GT	DECAL KIT,3232 PLAT,SYM,CE <i>Platform Only kit for CE GS-3232</i>		29	97685GT	DECAL,SYM-MAXCAP CE GS2032.....1 <i>For CE Models Exept Italian</i>	
F	233313GT	DECAL KIT,3232 COMP,SYM,CE <i>Complete kit for CE GS-3232</i>		30	97686GT	DECAL,SYM-MAXCAP CE GS2632.....1 <i>For CE Models Exept Italian</i>	
1	28174GT	DECAL, POWER TO PLATFORM 230V**.....2		31	97692GT	DECAL,LABEL,WHEEL LOAD 2032.....4	
2	28235GT	DECAL,POWER TO PLATFORM 115V...2		32	97693GT	DECAL,LABEL,WHEEL LOAD 2632.....4	
3	40434GT	DECAL,LANYARD ANCHORAGE POINT.....5		33	97719GT	DECAL, LABEL, SAFETY ARM SYMB....1	
4	43618GT	DECAL, LABEL - DIRECTION ARROWS.....2		34	97772GT	DECAL,OVERLAY,PLAT CONTROLS***.....1	
5	43658GT	DECAL,LABEL,PWR TO CHARGR 230V.....1 <i>Found in one of two locations</i>		35	114136GT	OVERLAY,O/R PCON,GS3232.....1 <i>For GS-3232 Models Only (overlay supplied with control box)</i>	
6	44980GT	DECAL,LABEL,PWR TO CHARGR 115V.....1 <i>Found in one of two locations</i>		36	114324GT	DECAL,COSMETIC-GENIE GS-3232.....2	
7	44981GT	DECAL,LABEL, AIR LINE 110 PSI.....2		37	114334GT	DECAL,SYM-ELEC HAZARD,PLUG.....1 <i>Found in one of two locations</i>	
8	52475GT	DECAL,LABEL,TRANSPORT TIEDOWN*.....3		38	114337GT	DECAL,SYM-TIP-OVER,LIM SWITCH....1	
9	62055GT	DECAL,COSMETIC,GENIE GS-2032....2		39	114338GT	DECAL,SYM-TIP-OVER,TILT ALARM....1	
10	72086GT	DECAL,LABEL,LIFTING EYE.....4		40	114361GT	DECAL,LABEL-TRANSPORT DIGRAM.....2	
11	72143GT	DECAL,EMERGENCY STOP,GR.....1		41	114362GT	DECAL,LABEL-WHEEL LOAD,GS-3232.....4	
12	72973GT	DECAL,COSMETIC,GENIE GS-2632**..2		42	114368GT	DECAL,LABEL,CAP IND CE3232.....1 <i>For Models with Capacity Indicator</i>	
13	82473GT	DECAL,SYMBOL-COMP ACCESS.....1		43	114370GT	DECAL-SYM-TIP-OVR,BATTRIES.....1	
14	82474GT	DECAL,SYMBOL-USE SAFETY ARM....2		44	114371GT	DECAL,SYM-TIP-OVER,OUTRGR.....1	
15	82475GT	DECAL,SYMBOL-FOOT CRUSHING....4		45	114372GT	DECAL SYMBOL TIP OVER TRAYS.....2	
16	82476GT	DECAL,SYMBOL-ELEC HAZARD,GS....2		46	114434GT	DECAL,SYM-MAXCAP CE GS3232.....1 <i>For CE Models Exept Italian</i>	
17	82481GT	DECAL,SYMBOL-BATTERY SAFETY....1		47	133241GT	LABEL,MAXCAP,GS2032.....1 <i>For Italian Models Only</i>	
18	82482GT	DECAL,LABEL,AUX LOWERING.....1		48	133242GT	LABEL,MAXCAP,2632/3232.....1 <i>For Italian Models Only</i>	
19	82487GT	DECAL, SYMBOL - READ THE MANUAL.....2		49	133531GT	LABEL,OUTRIGGER,LOAD,GS-3232....4	
20	82495GT	DECAL,SYMBOL-BRAKE REL SAFETY.....2					
21	82497GT	DECAL,SYM-SIDEFORCE 200400.....1 <i>For GS-2032 Models Only</i>					
22	82502GT	DECAL,LABEL,LED READOUT.....1					
23	82560GT	DECAL,SYMBOL-SKIN INJECT HAZRD.....1					
24	82562GT	DECAL,SYMBOL-CRUSHING HAZARD.....4					



117.1 Decals with Words, GS-2046/2646/3246 (North America and Australia) (from SN GS4605-75438 to GS4607-87508)

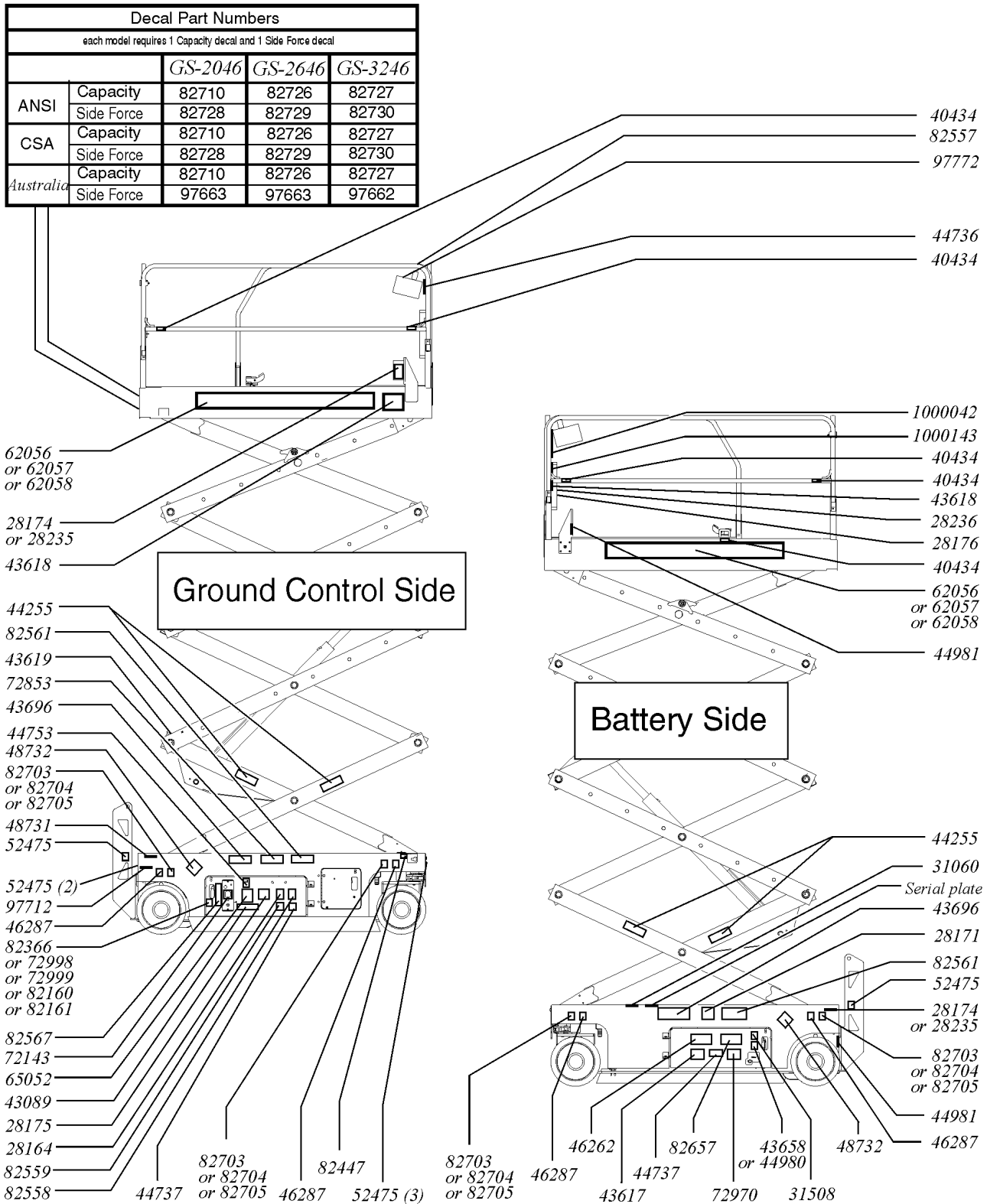


Figure 117.1
GS46 ANSI/CSA/Australian



117.1 Decals with Words, GS-2046/2646/3246 (North America and Australia) (from SN GS4605-75438 to GS4607-87508)

Item	Part No.	Description	Qty.	Item	Part No.	Description	Qty.
A	233934GT	DECAL KIT,2046 PLAT.,WRD,ANSI <i>(Decal kit, platform for GS-2046 for North America)</i>		11	40434GT	DECAL,LANYARD ANCHORAGE POINT.....	5
B	233935GT	DECAL KIT,2046 COMP,WRD,ANSI <i>(Decal kit, complete for GS-2046 for North America)</i>		12	43089GT	DECAL,INSTRUCTIONS-OPER,GCP.....	1
C	233936GT	DECAL KIT,2046 PLAT,WORD,AUST <i>(Decal kit, platform for GS-2046 for Australia)</i>		13	43617GT	DECAL,DANGER,TIP-OVER,BATTERY..	1
D	233937GT	DECAL KIT,2046 COMP,WORD,AUST <i>(Decal kit, complete for GS-2046 for Australia)</i>		14	43618GT	DECAL, LABEL - DIRECTION ARROWS.....	2
E	233938GT	DECAL KIT,2646 PLAT,WORD,ANSI <i>(Decal kit, platform for GS-2646 for North America)</i>		15	43619GT	DECAL,LABEL,SAFETY ARM.....	1
F	233939GT	DECAL KIT,2646 COMP,WORD,ANSI <i>(Decal kit, complete for GS-2646 for North America)</i>		16	43658GT	DECAL,LABEL,PWR TO CHARGR 230V.....	1
G	233314GT	DECAL KIT,2646 PLAT,WORD,AUST <i>(Decal kit, platform for GS-2646 for Australia)</i>		17	43696GT	DECAL,DANGER,ELEC HAZARD,GS....	2
H	233315GT	DECAL KIT,2646 COMP,WORD,AUST <i>(Decal kit, complete for GS-2646 for Australia)</i>		18	44255GT	DECAL,DANGER,CRUSHING HAZARD.....	4
I	233316GT	DECAL KIT,3246 PLAT,WORD,ANSI <i>(Decal kit, platform for GS-3246 for North America)</i>		19	44736GT	DECAL,DANGER,TIP-OVER,TILT.....	1
J	233317GT	DECAL KIT,3246 COMP,WORD,ANSI <i>(Decal kit, complete for GS-3246 for North America)</i>		20	44737GT	DECAL DANGER TIP OVER TRAYS.....	2
K	233318GT	DECAL KIT,3246 PLAT,WORD,AUST <i>(Decal kit, platform for GS-3246 for Australia)</i>		21	44753GT	DECAL, LABEL, LED READOUT.....	1
L	233319GT	DECAL KIT,3246 COMP,WORD,AUST <i>(Decal kit, complete for GS-3246 for Australia)</i>		22	44980GT	DECAL,LABEL,PWR TO CHARGR 115V.....	1
1	28164GT	DECAL,NOTICE,HAZARDOUS MAT'LS*.....	1	23	44981GT	DECAL,LABEL, AIR LINE 110 PSI.....	2
2	28171GT	DECAL,DANGER,NO SMOKING ***.....	1	24	46262GT	DECAL,DANGER,BATTERY SAFETY.....	1
3	28174GT	DECAL, POWER TO PLATFORM 230V**.....	2	25	46287GT	DECAL,LABEL-TIRE SPECS.....	4
4	28175GT	DECAL,WARNING-COMPART ACCESS.....	1	28	52475GT	DECAL,LABEL,TRANSPORT TIEDOWN*.....	7
5	28176GT	DECAL,LABEL,MANUAL NOT HERE.....	1	29	62056GT	DECAL,COSMETIC,GENIE GS-2046**.....	2
6	28235GT	DECAL,POWER TO PLATFORM 115V...2		30	62057GT	DECAL,COSMETIC,GENIE GS-2646.....	2
7	28236GT	DECAL,WARN,IMPROPER OPERATION.....	1	31	62058GT	DECAL,COSMETIC,GENIE GS-3246.....	2
8	31060GT	DECAL,DANGER DO NOT ALTER SWTC.....	1	32	65052GT	DECAL,LABEL,FAULT CODES.....	1
9	31508GT	DECAL,DANGER,ELECT HAZARD,PLUG.....	1	33	72143GT	DECAL,EMERGENCY STOP,GR.....	1
10	n/a	DECAL,LABEL,PATENTS.....	1	34	72853GT	DECAL,DANGER,IMPROPER USE HAZ.....	1
				35	72970GT	DECAL,INSTRUCTIONS-CHARGER OP.....	1
				36	72998GT	DECAL,LABEL,QUINTOLUBRIK..... <i>For Models with Quintolub Hydraulic Oil Only</i>	1
				37	72999GT	DECAL,LABEL,PETRO CANADA***..... <i>For Models with Petro Canada Hydraulic Oil Only</i>	1
				38	82160GT	DECAL,LABEL,STATOIL HYDRA WAY..... <i>For Models with Statoil Hydraulic Oil Only</i>	1
				39	82161GT	DECAL,LABEL,UCON HYDROLUBE..... <i>For Models with Ucon Hydrolube Hydraulic Oil Only</i>	1
				40	82366GT	DECAL,CHEVRON RANDO HD..... <i>For Models with Chevron Rando Hydraulic Oil Only</i>	1
				41	82447GT	DECAL, LABEL,AUX LOWERING.....	1
				42	82557GT	DECAL,LABEL,PLAT CONT LOCATION.....	1



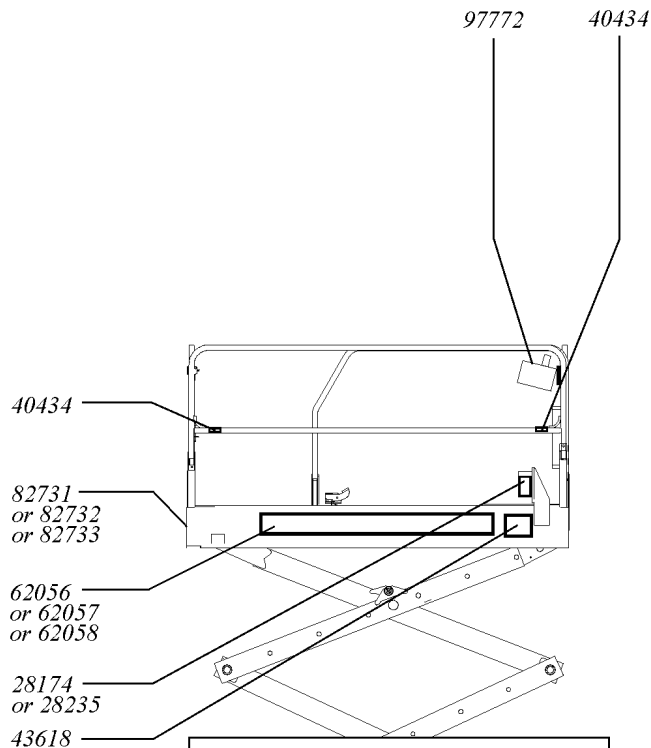
117.1 Decals with Words, GS-2046/2646/3246 (North America and Australia) (from SN GS4605-75438 to GS4607-87508)
(continued)

Item	Part No.	Description	Qty.
43	82558GT	DECAL,WARN,SKIN INJECTION HAZ*.....1	1
44	82559GT	DECAL,INSTRUCT-ANNUAL INSP REQ.....1	1
45	82561GT	DECAL,DANGER-USE SAFETY ARM....2	2
46	82567GT	DECAL, GROUND CONTROL PANEL....1	1
47	82657GT	DECAL,INSTRUCT,BATTERY CONNECT.....1	1
48	82703GT	DECAL,LABEL,WHEEL LOAD 2046.....4	4
49	82704GT	DECAL,LABEL,WHEEL LOAD 2646.....4	4
50	82705GT	DECAL,LABEL,WHEEL LOAD 3246.....4	4
51	82710GT	DECAL,INSTR-MAX CAP 1200LBS.....1 <i>For GS-2046 Models Only</i>	1
52	82726GT	DECAL,INSTRUCT,MAXCAP1000LBS...1 <i>For GS-2646 Models Only</i>	1
53	82727GT	DECAL,INSTR-MAX CAP 700LBS.....1 <i>For GS-3246 Models Only</i>	1
54	82728GT	DECAL,INSTR-SIDE FRC,ANSI 2046....1 <i>For GS-2046 Models Only</i>	1
55	82729GT	NOTICE,SIDE FRC ANSI2646.....1 <i>For GS-2646 Models Only</i>	1
56	82730GT	DECAL,INSTR-SIDE FRC,ANSI 3246....1 <i>For GS-3246 Models Only</i>	1
57	97662GT	DECAL,INSTR-MANUALFRC,AUS 3246.....1 <i>For Australia GS-3246 Models Only</i>	1
58	97663GT	DECAL,INSTR-MANUALFRC,AUS 400N.....1 <i>For Australia GS-2046 and GS-2646 Models Only</i>	1
59	97712GT	DECAL,DANGER,BRAKE REL SAFETY*.....1	1
60	97772GT	DECAL,OVERLAY,PLAT CONTROLS***.....1	1
61	1000042GT	DECAL,DANGER,GENERAL SAFETY....1	1
62	1000143GT	DECAL,INSTRUCT-OP,GEN5,GS-46....1	1

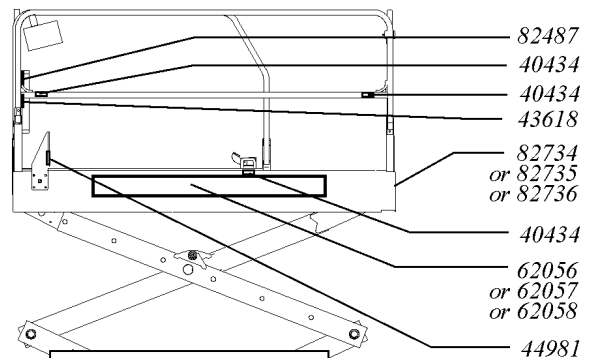
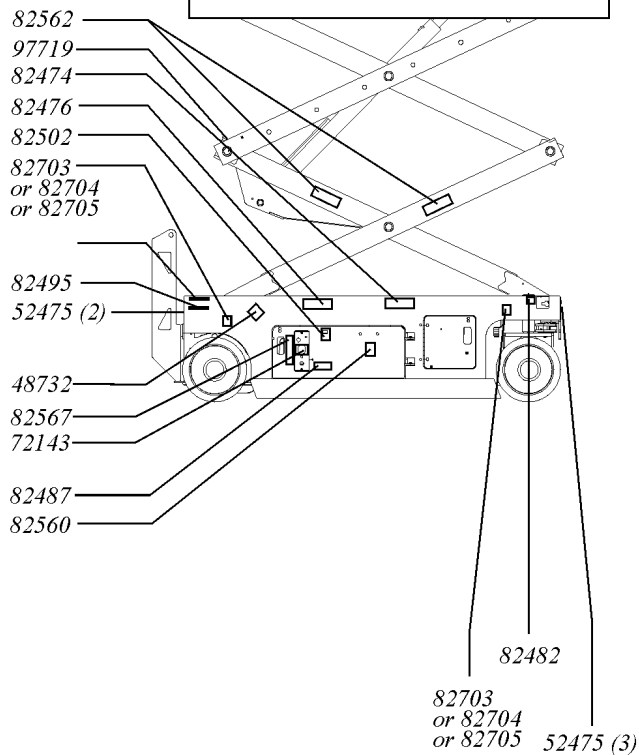
117.1 Decals with Words, GS-2046/2646/3246 (North America and Australia) (from SN
GS4605-75438 to GS4607-87508)
(continued)

This Page Intentionally Left Blank

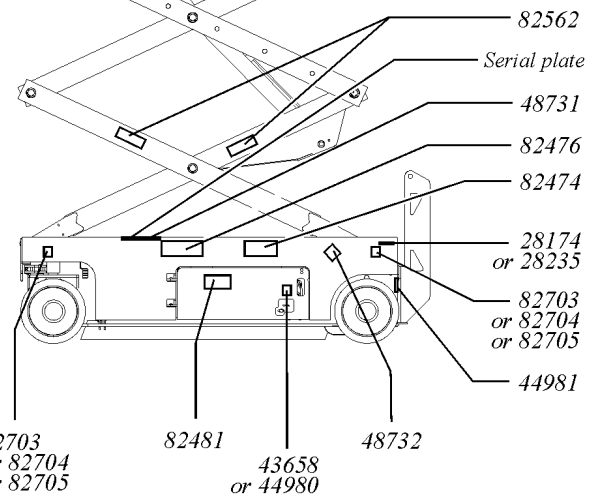
118.1 Decals with Symbols, GS-2046/2646/3246 (Asia and South America) (from SN GS4605-75438 to GS4607A-87508)



Ground Control Side



Battery Side



118.1 Decals with Symbols, GS-2046/2646/3246 (Asia and South America) (from SN GS4605-75438 to GS4607A-87508)

Item	Part No.	Description	Qty.	Item	Part No.	Description	Qty.
A	233320GT	DECAL KIT,2046 PLAT,SYM,ANSI <i>(Decal kit, platform for GS-2046 for Asia & South America)</i>		15	82474GT	DECAL,SYMBOL-USE SAFETY ARM....2	
B	233321GT	DECAL KIT,2046 COMPSYM,ANSI <i>(Decal kit, complete for GS-2046 for Asia & South America)</i>		16	82476GT	DECAL,SYMBOL-ELEC HAZARD,GS....2	
C	233322GT	DECAL KIT,2646 PLAT,SYM,ANSI <i>(Decal kit, platform for GS-2646 for Asia & South America)</i>		17	82481GT	DECAL,SYMBOL-BATTERY SAFETY.....1	
D	233323GT	DECAL KIT,2646 COMPSYM,ANSI <i>(Decal kit, complete for GS-2646 for Asia & South America)</i>		18	82482GT	DECAL,LABEL,AUX LOWERING.....1	
E	233324GT	DECAL KIT,3246 PLAT,SYM,ANSI <i>(Decal kit, platform for GS-3246 for Asia & South America)</i>		19	82487GT	DECAL,SYMBOL-READ THE MANUAL.....2	
F	233325GT	DECAL KIT,3246 COMPSYM,ANSI <i>(Decal kit, complete for GS-3246 for Asia & South America)</i>		20	82495GT	DECAL,SYMBOL-BRAKE REL SAFETY.....1	
G	233350GT	DECAL KIT,2046 PLAT,SYM,CE <i>(Decal kit, platform for GS-2046 for Europe)</i>		21	82502GT	DECAL,LABEL,LED READOUT.....1	
H	233351GT	DECAL KIT,2046 COMPSYM,CE <i>(Decal kit, complete for GS-2046 for Europe)</i>		22	82560GT	DECAL,SYMBOL-SKIN INJECT HAZRD.....1	
I	233352GT	DECAL KIT,2646 PLAT,SYM,CE <i>(Decal kit, platform for GS-2646 for Europe)</i>		23	82562GT	DECAL,SYMBOL-CRUSHING HAZARD.....4	
J	233353GT	DECAL KIT,2646 COMPSYM,CE <i>(Decal kit, complete for GS-2646 for Europe)</i>		24	82567GT	DECAL,GROUND CONTROL PANEL....1	
K	233354GT	DECAL KIT,3246 PLAT,SYM,CE <i>(Decal kit, platform for GS-3246 for Europe)</i>		25	82703GT	DECAL,LABEL,WHEEL LOAD 2046....4	
L	233355GT	DECAL KIT,3246 COMPSYM,CE <i>(Decal kit, complete for GS-3246 for Europe)</i>		26	82704GT	DECAL,LABEL,WHEEL LOAD 2646....4	
1	28174GT	DECAL,POWER TO PLATFORM 230V**.....2		27	82705GT	DECAL,LABEL,WHEEL LOAD 3246....4	
2	28235GT	DECAL,POWER TO PLATFORM 115V...2		28	82731GT	DECAL,SYM-MAXCAP 1200.....1 <i>For GS-2046 Models Only</i>	
3	40434GT	DECAL,LANYARD ANCHORAGE POINT.....5		29	82732GT	DECAL,SYM-MAXCAP 1000.....1 <i>For GS-2646 Models Only</i>	
4	43618GT	DECAL,LABEL-DIRECTION ARROWS.....2		30	82733GT	DECAL,SYM-MAXCAP 700.....1 <i>For GS-3246 Models Only</i>	
5	43658GT	DECAL,LABEL,PWR TO CHARGR 230V.....1		31	82734GT	DECAL,SYM-SIDE FORCE 2046.....1	
6	44980GT	DECAL,LABEL,PWR TO CHARGR 115V.....1		32	82735GT	DECAL,SYM-SIDE FORCE 2646.....1	
7	44981GT	DECAL,LABEL,AIR LINE 110 PSI.....2		33	82736GT	DECAL,SYM-SIDE FORCE.....1	
10	52475GT	DECAL,LABEL,TRANSPORT TIEDOWN*.....7		34	97719GT	DECAL,LABEL,SAFETY ARM SYMB....1	
11	62056GT	DECAL,COSMETIC,GENIE GS-2046**...2		35	97772GT	DECAL,OVERLAY,PLAT CONTROLS***.....1	
12	62057GT	DECAL,COSMETIC,GENIE GS-2646....2					
13	62058GT	DECAL,COSMETIC,GENIE GS-3246....2					
14	72143GT	DECAL,EMERGENCY STOP,GR.....1					



119.1 Decals with Words, GS-2046/2646/3246 (North America) (from SN GS4607-87509 to GS4611A-109999)

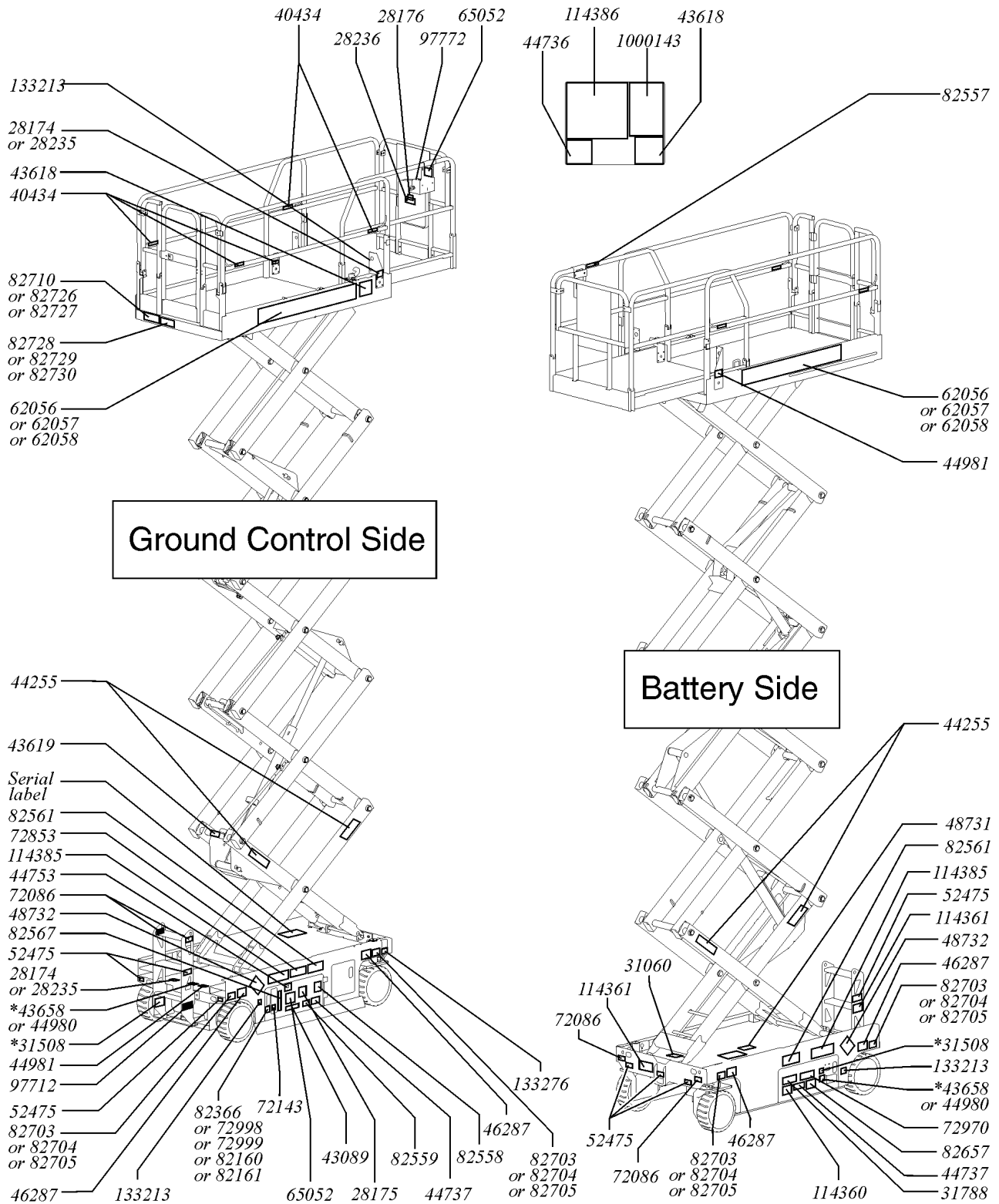


Figure 119.1
GS46 ANSI/CSA Word



119.1 Decals with Words, GS-2046/2646/3246 (North America) (from SN GS4607-87509 to GS4611A-109999)

Item	Part No.	Description	Qty.	Item	Part No.	Description	Qty.
A	161759GT	DECAL KIT,2046 PLAT,WORD,ANSI <i>(Decal kit, platform for GS-2046 for North America)</i>		20	44981GT	DECAL,LABEL, AIR LINE 110 PSI.....	2
B	161760GT	DECAL KIT,2046 COMP,WORD,ANSI <i>(Decal kit, complete for GS-2046 for North America)</i>		21	46287GT	DECAL,LABEL-TIRE SPECS.....	4
C	161761GT	DECAL KIT,2646 PLAT,WORD,ANSI <i>(Decal kit, platform for GS-2646 for North America)</i>		24	52475GT	DECAL,LABEL, TRANSPORT TIEDOWN*.....	7
D	161762GT	DECAL KIT,2646 COMP,WORD,ANSI <i>(Decal kit, complete for GS-2646 for North America)</i>		25	62056GT	DECAL,COSMETIC,GENIE GS-2046** ..	2
E	161763GT	DECAL KIT,3246 PLAT,WORD,ANSI <i>(Decal kit, platform for GS-3246 for North America)</i>		26	62057GT	DECAL,COSMETIC,GENIE GS-2646.....	2
F	161764GT	DECAL KIT,3246 COMP,WORD,ANSI <i>(Decal kit, complete for GS-3246 for North America)</i>		27	62058GT	DECAL,COSMETIC,GENIE GS-3246.....	2
1	28174GT	DECAL, POWER TO PLATFORM 230V**.....	2	28	65052GT	DECAL,LABEL,FAULT CODES.....	2
2	28175GT	DECAL,WARNING-COMPART ACCESS.....	1	29	72086GT	DECAL,LABEL,LIFTING EYE.....	4
3	28176GT	DECAL,LABEL,MANUAL NOT HERE.....	1	30	72143GT	DECAL,EMERGENCY STOP,GR.....	1
4	28235GT	DECAL,POWER TO PLATFORM 115V.....	2	31	72853GT	DECAL,DANGER,IMPROPER USE HAZ.....	1
5	28236GT	DECAL,WARN,IMPROPER OPERATION.....	1	32	72970GT	DECAL,INSTRUCTIONS-CHARGER OP.....	1
6	31060GT	DECAL,DANGER DO NOT ALTER SWTC.....	1	33	72998GT	DECAL,LABEL,QUINTOLUBRIK..... <i>For Models with Quintolub Hydraulic Oil Only</i>	1
7	31508GT	DECAL,DANGER,ELECT HAZARD,PLUG..... <i>Found in one of two locations</i>	1	34	72999GT	DECAL,LABEL,PETRO CANADA***..... <i>For Models with Petro Canada Hydraulic Oil Only</i>	1
8	31788GT	DECAL,DANGER,BATTERY SAFETY***.....	1	35	82160GT	DECAL,LABEL,STATOIL HYDRA WAY..... <i>For Models with Statoil Hydraulic Oil Only</i>	1
9		DECAL,LABEL,PATENTS..... <i>n/a</i>	1	36	82161GT	DECAL,LABEL,UCON HYDROLUBE..... <i>For Models with Ucon Hydrolube Hydraulic Oil Only</i>	1
10	40434GT	DECAL,LANYARD ANCHORAGE POINT.....	5	37	82366GT	DECAL,CHEVRON RANDO HD..... <i>For Models with Chevron Rando Hydraulic Oil Only</i>	1
11	43089GT	DECAL,INSTRUCTIONS-OPER,GCP.....	1	38	82557GT	DECAL,LABEL,PLAT CONT LOCATION.....	1
12	43618GT	DECAL, LABEL - DIRECTION ARROWS.....	2	39	82558GT	DECAL,WARN,SKIN INJECTION HAZ*.....	1
13	43619GT	DECAL,LABEL,SAFETY ARM.....	1	40	82559GT	DECAL,INSTRUCT-ANNUAL INSP REQ.....	1
14	43658GT	DECAL,LABEL,PWR TO CHARGR 230V..... <i>Found in one of two locations</i>	1	41	82561GT	DECAL,DANGER-USE SAFETY ARM.....	2
15	44255GT	DECAL,DANGER,CRUSHING HAZARD.....	4	42	82567GT	DECAL, GROUND CONTROL PANEL.....	1
16	44736GT	DECAL,DANGER,TIP-OVER,TILT.....	1	43	82657GT	DECAL,INSTRUCT,BATTERY CONNECT.....	1
17	44737GT	DECAL DANGER TIP OVER TRAYS.....	2	44	82703GT	DECAL,LABEL,WHEEL LOAD 2046.....	4
18	44753GT	DECAL, LABEL, LED READOUT.....	1	45	82704GT	DECAL,LABEL,WHEEL LOAD 2646.....	4
19	44980GT	DECAL,LABEL,PWR TO CHARGR 115V..... <i>Found in one of two locations</i>	1	46	82705GT	DECAL,LABEL,WHEEL LOAD 3246.....	4
				47	82710GT	DECAL,INSTR-MAX CAP 1200LBS..... <i>For GS-2046 Models Only</i>	1
				48	82726GT	DECAL,INSTRUCT,MAXCAP1000LBS... <i>For GS-2646 Models Only</i>	1
				49	82727GT	DECAL,INSTR-MAX CAP 700LBS..... <i>For GS-3246 Models Only</i>	1
				50	82728GT	DECAL,INSTR-SIDE FRC,ANSI 2046.....	1



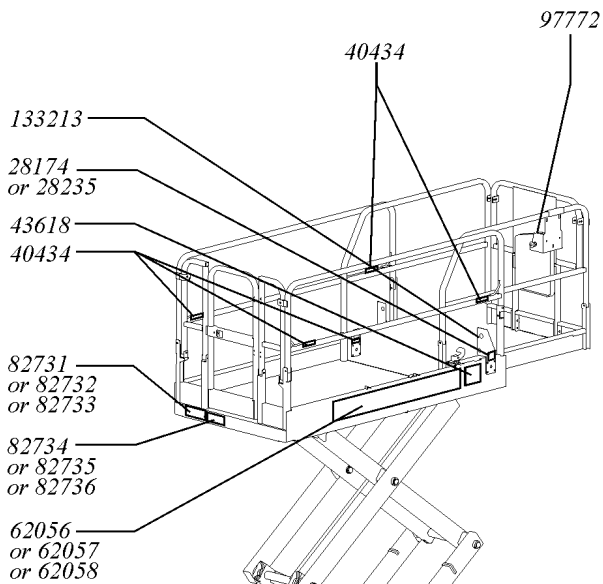
119.1 Decals with Words, GS-2046/2646/3246 (North America) (from SN GS4607-87509 to GS4611A-109999)
(continued)

Item	Part No.	Description	Qty.
51	82729GT	NOTICE,SIDE FRC ANSI2646.....1	1
52	82730GT	DECAL,INSTR-SIDE FRC,ANSI 3246.....1	1
53	97712GT	DECAL,DANGER,BRAKE REL SAFETY*.....1	1
54	97772GT	DECAL,OVERLAY,PLAT CONTROLS***.....1	1
55	114360GT	DECAL,DANGER-TIP-OVER,BATT.....1	1
56	114361GT	DECAL,LABEL-TRANSPORT DIGRAM.....2	2
57	114385GT	DECAL,DANGER,ELEC HAZARD,GS....2	2
58	114386GT	DECAL,DANGER-GEN SAFETY.....1	1
59	133213GT	DECAL,NOTICE-DO NOT OPEN DOOR.....3 <i>For EE Models Only From SN GS3008B-95267</i>	3
60	133276GT	DECAL,EMERGENCY LOWERING.....1	1
61	1000143GT	DECAL,INSTRUCT-OP,GEN5,GS-46.....1	1

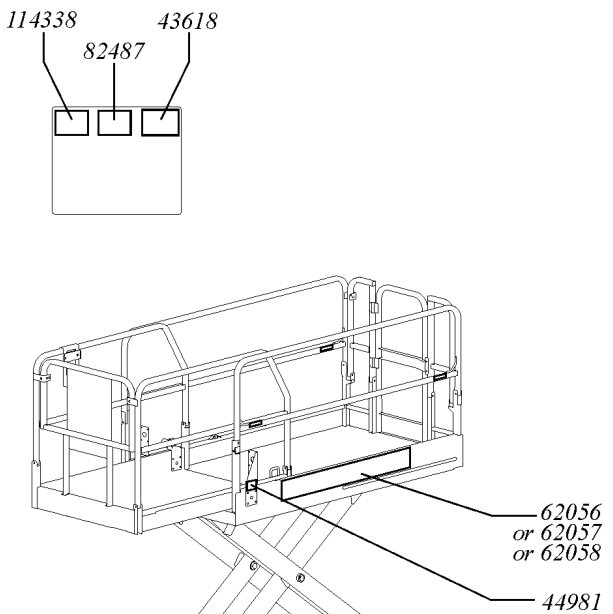
119.1 Decals with Words, GS-2046/2646/3246 (North America) (from SN GS4607-87509 to GS4611A-109999)
(continued)

This Page Intentionally Left Blank

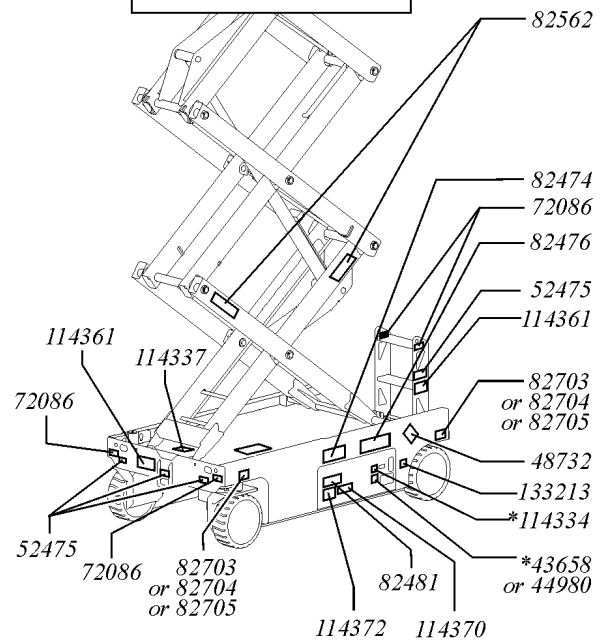
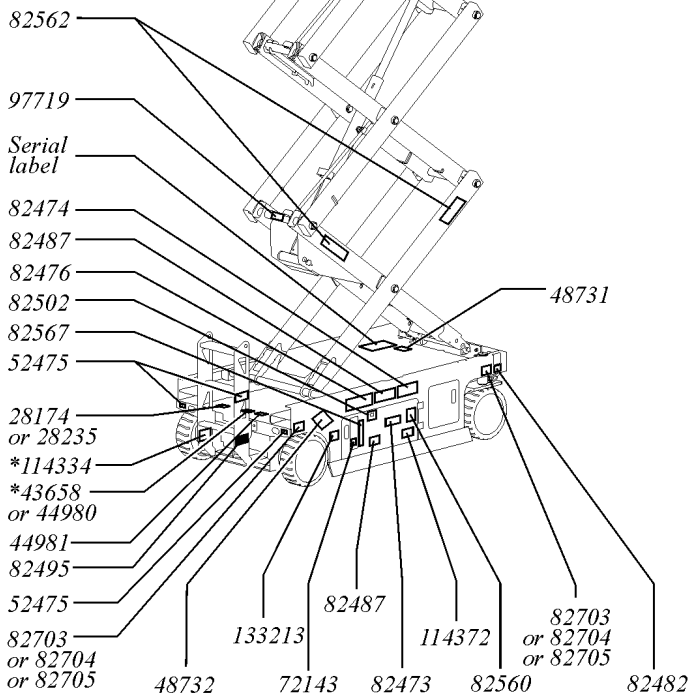
120.1 Decals with Symbols, GS-2046/2646/3246 (Asia and South America) (from SN GS4607-87509 to GS4611A-109999)



Ground Control Side



Battery Side

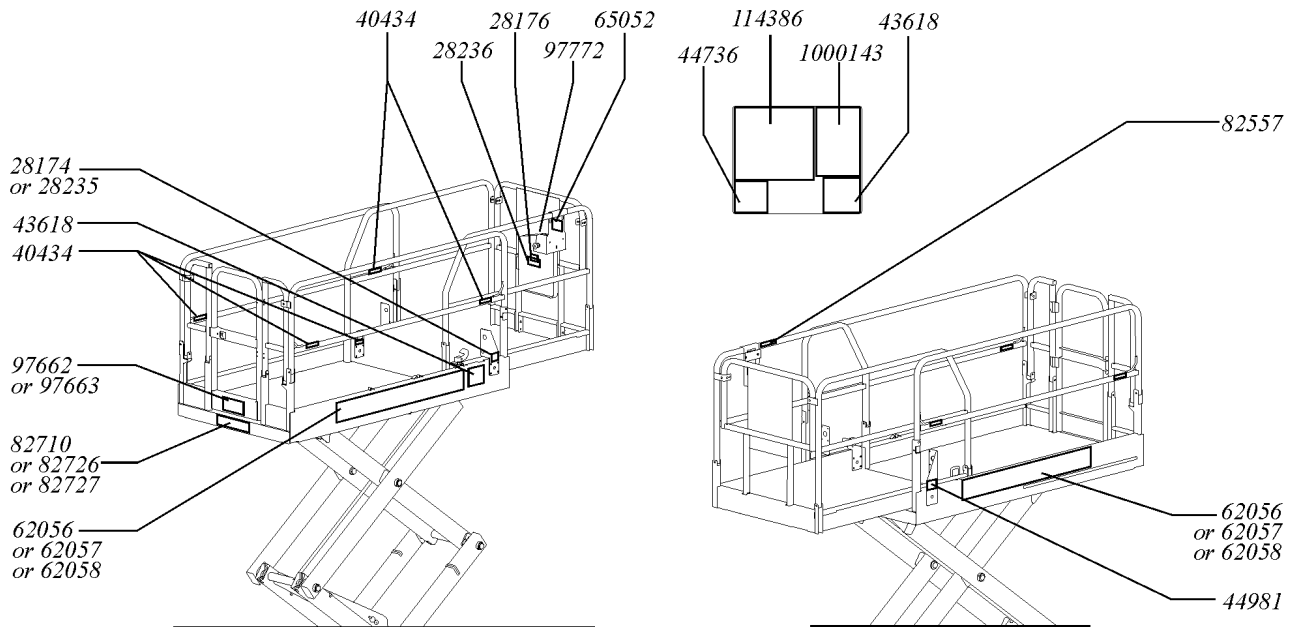


120.1 Decals with Symbols, GS-2046/2646/3246 (Asia and South America) (from SN GS4607-87509 to GS4611A-109999)

Item	Part No.	Description	Qty.	Item	Part No.	Description	Qty.
A	161765GT	DECAL KIT,2046 PLAT,SYM,ANSI <i>(Decal kit, platform for GS-2046 for South America)</i>		24	82560GT	DECAL,SYMBOL-SKIN INJECT HAZRD.....	1
B	161766GT	DECAL KIT,2046 COMPSYM,ANSI <i>(Decal kit, complete for GS-2046 for South America)</i>		25	82562GT	DECAL,SYMBOL-CRUSHING HAZARD.....	4
C	161767GT	DECAL KIT,2646 PLAT,SYM,ANSI <i>(Decal kit, platform for GS-2646 for South America)</i>		26	82567GT	DECAL, GROUND CONTROL PANEL....	1
D	161768GT	DECAL KIT,2646 COMPSYM,ANSI <i>(Decal kit, complete for GS-2646 for South America)</i>		27	82703GT	DECAL,LABEL,WHEEL LOAD 2046....	4
E	161769GT	DECAL KIT,3246 PLAT,SYM,ANSI <i>(Decal kit, platform for GS-3246 for South America)</i>		28	82704GT	DECAL,LABEL,WHEEL LOAD 2646....	4
F	161770GT	DECAL KIT,3246 COMPSYM,ANSI <i>(Decal kit, complete for GS-3246 for South America)</i>		29	82705GT	DECAL,LABEL,WHEEL LOAD 3246....	4
1	28174GT	DECAL, POWER TO PLATFORM 230V**.....	2	30	82731GT	DECAL,SYM-MAXCAP 1200..... <i>For GS-2046 Only</i>	1
2	28235GT	DECAL,POWER TO PLATFORM 115V....	2	31	82732GT	DECAL,SYM-MAXCAP 1000..... <i>For GS-2646 Only</i>	1
3	40434GT	DECAL,LANYARD ANCHORAGE POINT.....	5	32	82733GT	DECAL,SYM-MAXCAP 700..... <i>For GS-3246 Only</i>	1
4	43618GT	DECAL, LABEL - DIRECTION ARROWS.....	2	33	82734GT	DECAL,SYM-SIDE FORCE 2046.....	1
5	43658GT	DECAL,LABEL,PWR TO CHARGR 230V..... <i>Found in one of two locations</i>	1	34	82735GT	DECAL,SYM-SIDE FORCE 2646.....	1
6	44980GT	DECAL,LABEL,PWR TO CHARGR 115V..... <i>Found in one of two locations</i>	1	35	82736GT	DECAL,SYM-SIDE FORCE.....	1
7	44981GT	DECAL,LABEL, AIR LINE 110 PSI.....	2	36	97719GT	DECAL, LABEL, SAFETY ARM SYMB....	1
10	52475GT	DECAL,LABEL,TRANSPORT TIEDOWN*.....	7	37	97772GT	DECAL,OVERLAY,PLAT CONTROLS***.....	1
11	62056GT	DECAL,COSMETIC,GENIE GS-2046**....	2	38	114334GT	DECAL,SYM-ELEC HAZARD,PLUG..... <i>Found in one of two locations</i>	1
12	62057GT	DECAL,COSMETIC,GENIE GS-2646....	2	39	114337GT	DECAL,SYM-TIP-OVER,LIM SWITCH....	1
13	62058GT	DECAL,COSMETIC,GENIE GS-3246....	2	40	114338GT	DECAL,SYM-TIP-OVER,TILT ALARM....	1
14	72086GT	DECAL,LABEL,LIFTING EYE.....	4	41	114361GT	DECAL,LABEL-TRANSPORT DIGRAM.....	2
15	72143GT	DECAL,EMERGENCY STOP,GR.....	1	42	114370GT	DECAL-SYM-TIP-OVR,BATTRIES.....	1
16	82473GT	DECAL,SYMBOL-COMP ACCESS.....	1	43	114372GT	DECAL SYMBOL TIP OVER TRAYS....	2
17	82474GT	DECAL,SYMBOL-USE SAFETY ARM....	2	44	133213GT	DECAL,NOTICE-DO NOT OPEN DOOR..... <i>For EE Models Only From SN GS3008B-95267</i>	3
18	82476GT	DECAL,SYMBOL-ELEC HAZARD,GS....	2				
19	82481GT	DECAL,SYMBOL-BATTERY SAFETY.....	1				
20	82482GT	DECAL,LABEL,AUX LOWERING.....	1				
21	82487GT	DECAL, SYMBOL - READ THE MANUAL.....	2				
22	82495GT	DECAL,SYMBOL-BRAKE REL SAFETY.....	1				
23	82502GT	DECAL,LABEL,LED READOUT.....	1				

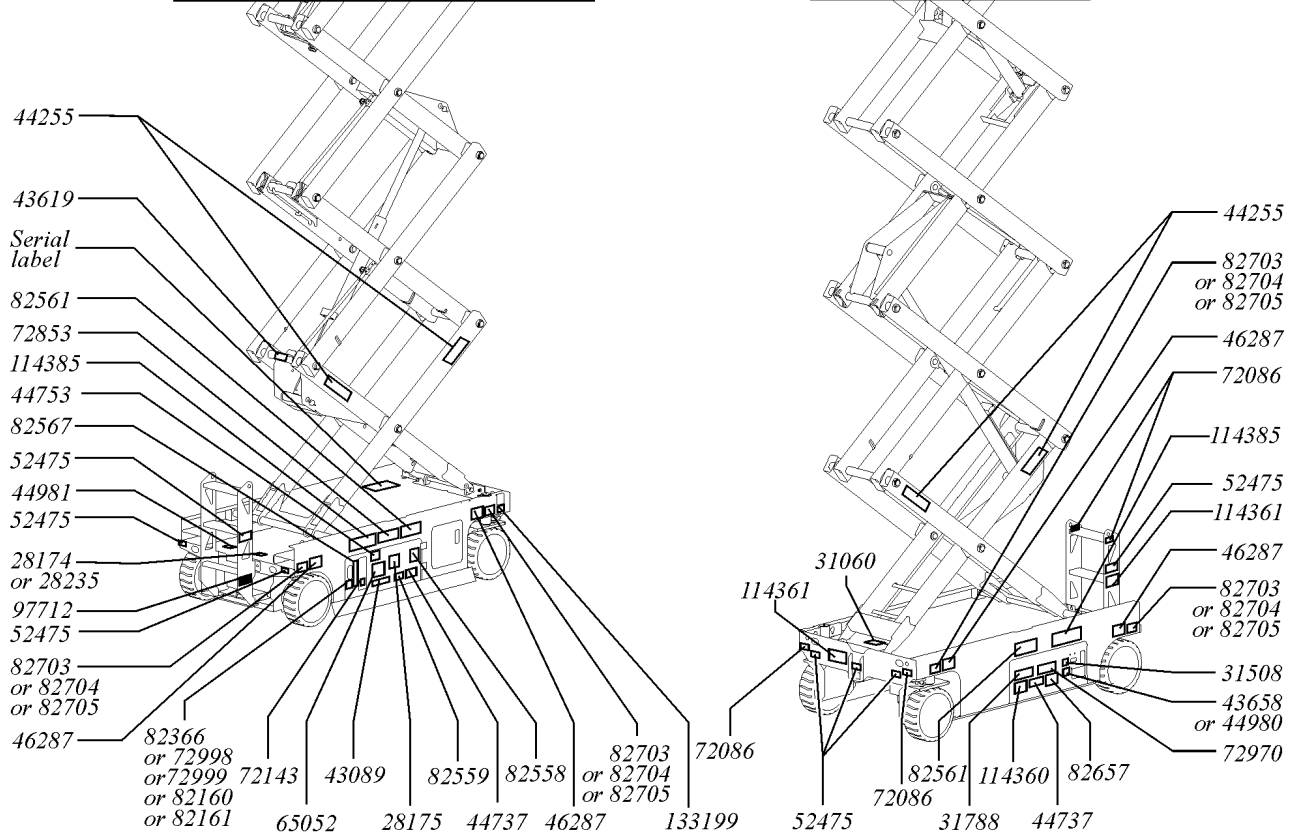


121.1 Decals with Words, GS-2046/2646/3246 (Australia) (from SN GS4607-87509 to GS4611A-96921)



Ground Control Side

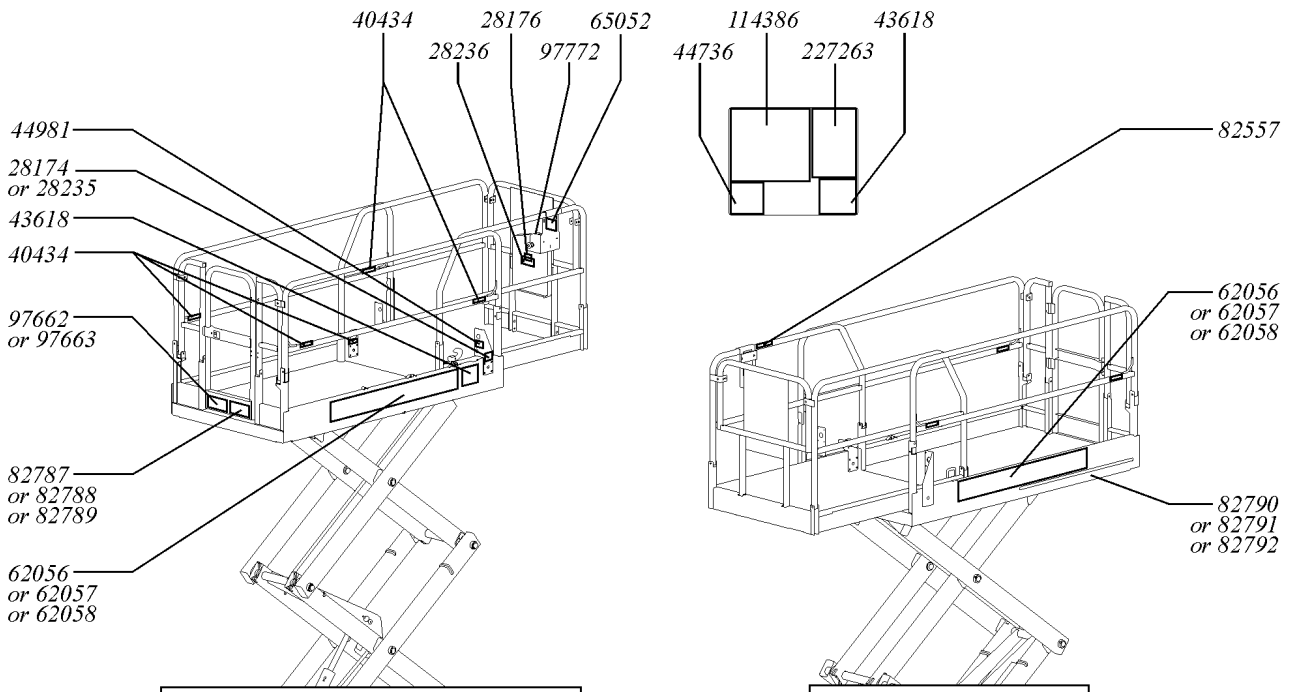
Battery Side



121.1 Decals with Words, GS-2046/2646/3246 (Australia) (from SN GS4607-87509 to GS4611A-96921)

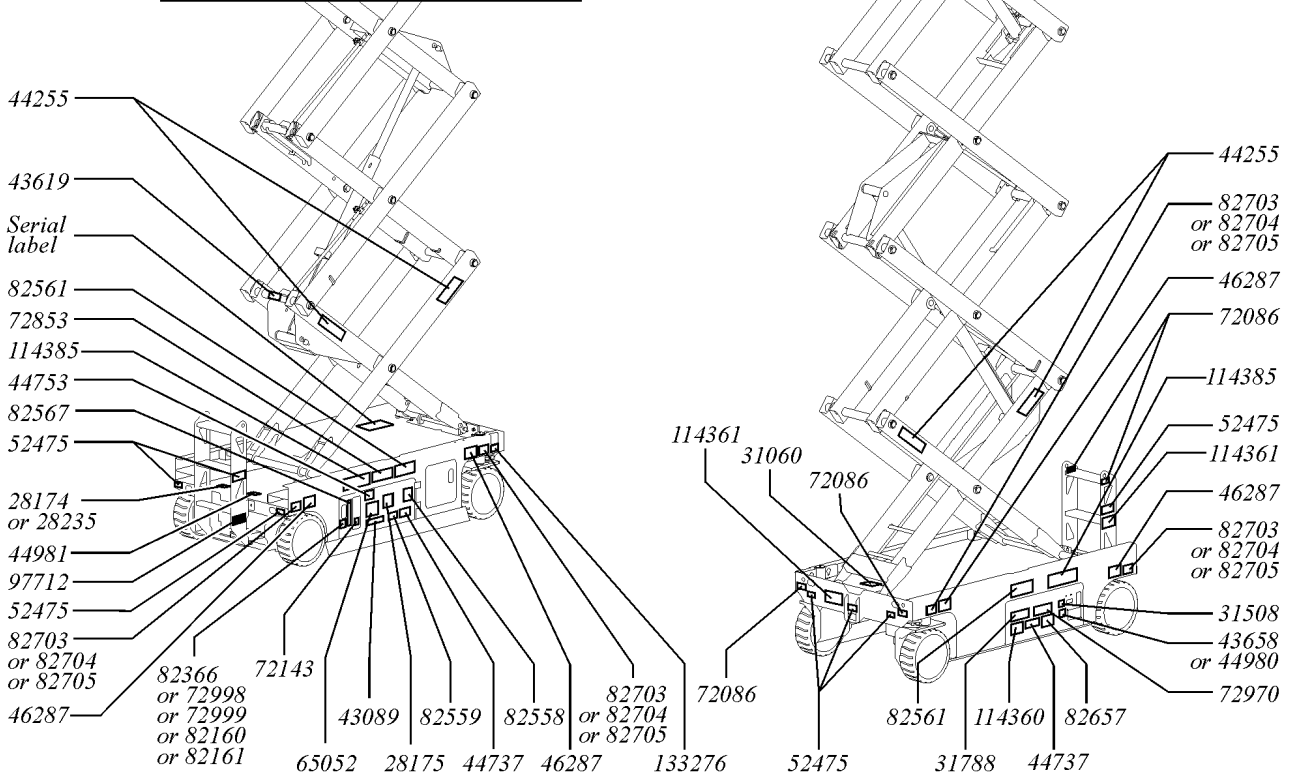
Item	Part No.	Description	Qty.	Item	Part No.	Description	Qty.
A	161812GT	DECAL KIT,2046 COMP,WORD,AUS.....1		31	72999GT	DECAL,LABEL,PETRO CANADA***.....1 <i>For Models with Petro Canada Hydraulic Oil Only</i>	
B	161814GT	DECAL KIT,2646 COMP,WORD,AUS.....1					
C	161816GT	DECAL KIT,3246 COMP,WORD,AUS.....1		32	82160GT	DECAL,LABEL,STATOIL HYDRA WAY1 <i>For Models with Statoil Hydraulic Oil Only</i>	
1	28174GT	DECAL, POWER TO PLATFORM 230V**.....2		33	82161GT	DECAL,LABEL,UCON HYDROLUBE.....1 <i>For Models with Ucon Hydrolube Hydraulic Oil Only</i>	
2	28175GT	DECAL,WARNING-COMPART ACCESS.....1		34	82366GT	DECAL,CHEVRON RANDO HD.....1 <i>For Models with Chevron Rando Hydraulic Oil Only</i>	
3	28176GT	DECAL,LABEL,MANUAL NOT HERE.....1		35	82557GT	DECAL,LABEL,PLAT CONT LOCATION.....1	
4	28235GT	DECAL,POWER TO PLATFORM 115V...2		36	82558GT	DECAL,WARN,SKIN INJECTION HAZ*.....1	
5	28236GT	DECAL,WARN,IMPROPER OPERATION.....1		37	82559GT	DECAL,INSTRUCT-ANNUAL INSP REQ.....1	
6	31060GT	DECAL,DANGER DO NOT ALTER SWTC.....1		38	82561GT	DECAL,DANGER-USE SAFETY ARM...2	
7	31508GT	DECAL,DANGER,ELECT HAZARD,PLUG.....1		39	82567GT	DECAL, GROUND CONTROL PANEL....1	
8	31788GT	DECAL,DANGER,BATTERY SAFETY***.....1		40	82657GT	DECAL,INSTRUCT,BATTERY CONNECT.....1	
9	40434GT	DECAL,LANYARD ANCHORAGE POINT.....5		41	82703GT	DECAL,LABEL,WHEEL LOAD 2046.....4	
10	43089GT	DECAL,INSTRUCTIONS-OPER,GCP.....1		42	82704GT	DECAL,LABEL,WHEEL LOAD 2646.....4	
11	43618GT	DECAL, LABEL - DIRECTION ARROWS.....2		43	82705GT	DECAL,LABEL,WHEEL LOAD 3246.....4	
12	43619GT	DECAL,LABEL,SAFETY ARM.....1		44	82710GT	DECAL,INSTR-MAX CAP 1200LBS.....1 <i>For GS-2046 Models Only</i>	
13	43658GT	DECAL,LABEL,PWR TO CHARGR 230V.....1		45	82726GT	DECAL,INSTRUCT,MAXCAP1000LBS...1 <i>For GS-2646 Models Only</i>	
14	44255GT	DECAL,DANGER,CRUSHING HAZARD.....4		46	82727GT	DECAL,INSTR-MAX CAP 700LBS.....1 <i>For GS-3246 Models Only</i>	
15	44736GT	DECAL,DANGER,TIP-OVER,TILT.....1		47	97662GT	DECAL,INSTR-MANUALFRC,AUS 3246.....1	
16	44737GT	DECAL DANGER TIP OVER TRAYS.....2		48	97663GT	DECAL,INSTR-MANUALFRC,AUS 400N.....1	
17	44753GT	DECAL, LABEL, LED READOUT.....1		49	97712GT	DECAL,DANGER,BRAKE REL SAFETY*.....1	
18	44980GT	DECAL,LABEL,PWR TO CHARGR 115V.....1		50	97772GT	DECAL,OVERLAY,PLAT CONTROLS***.....1	
19	44981GT	DECAL,LABEL, AIR LINE 110 PSI.....2		51	114360GT	DECAL,DANGER-TIP-OVER,BATT.....1	
20	46287GT	DECAL,LABEL-TIRE SPECS.....4		52	114361GT	DECAL,LABEL-TRANSPORT DIGRAM.....2	
21	52475GT	DECAL,LABEL,TRANSPORT TIEDOWN*.....7		53	114385GT	DECAL,DANGER,ELEC HAZARD,GS.....2	
22	62056GT	DECAL,COSMETIC,GENIE GS-2046**...2		54	114386GT	DECAL,DANGER-GEN SAFETY.....1	
23	62057GT	DECAL,COSMETIC,GENIE GS-2646.....2		55	133276GT	DECAL,EMERGENCY LOWERING.....1	
24	62058GT	DECAL,COSMETIC,GENIE GS-3246.....2		56	1000143GT	DECAL,INSTRUCT-OP,GEN5,GS-46.....1	
25	65052GT	DECAL,LABEL,FAULT CODES.....2					
26	72086GT	DECAL,LABEL,LIFTING EYE.....4					
27	72143GT	DECAL,EMERGENCY STOP,GR.....1					
28	72853GT	DECAL,DANGER,IMPROPER USE HAZ.....1					
29	72970GT	DECAL,INSTRUCTIONS-CHARGER OP.....1					
30	72998GT	DECAL,LABEL,QUINTOLUBRIK.....1 <i>For Models with Quintolub Hydraulic Oil Only</i>					

122.1 Decals with Words, GS-2046/2646/3246 (Australia) (from SN GS4611A-96922 to GS4611A-109999)



Ground Control Side

Battery Side

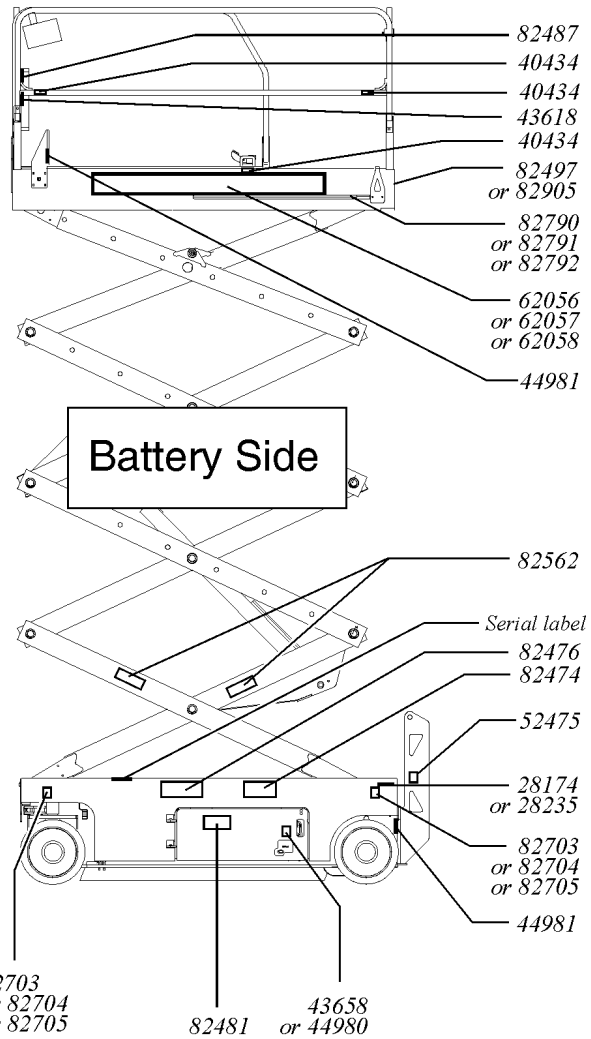
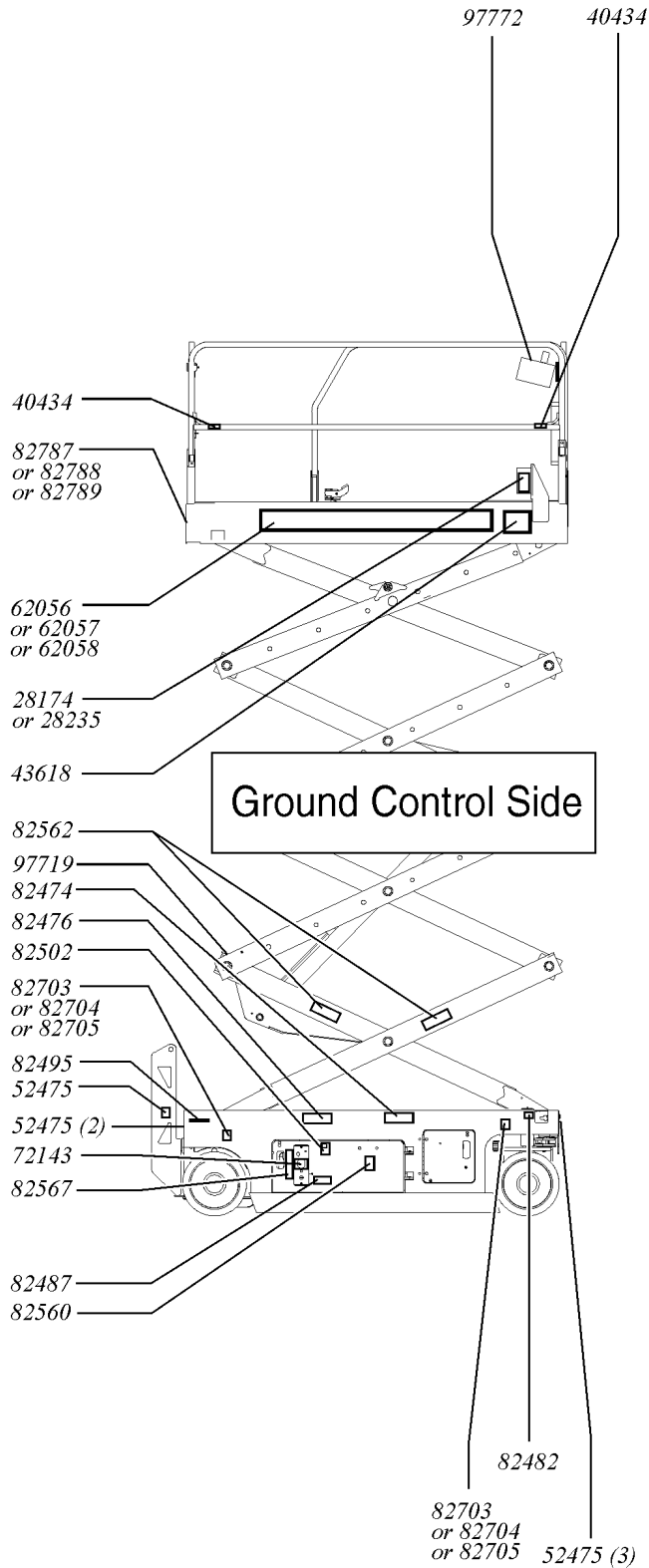


122.1 Decals with Words, GS-2046/2646/3246 (Australia) (from SN GS4611A-96922 to GS4611A-109999)

Item	Part No.	Description	Qty.	Item	Part No.	Description	Qty.
A	161818GT	DECAL KIT,2646 COMP,WORD,AUS.....1		31	72999GT	DECAL,LABEL,PETRO CANADA***.....1 <i>For Models with Petro Canada Hydraulic Oil Only</i>	
B	161820GT	DECAL KIT,3246 COMP,WORD,AUS.....1		32	82160GT	DECAL,LABEL,STATOIL HYDRA WAY1 <i>For Models with Statoil Hydraulic Oil Only</i>	
C	161822GT	DECAL KIT,3232,COMP,WORD,AUS.....1		33	82161GT	DECAL,LABEL,UCON HYDROLUBE.....1 <i>For Models with Ucon Hydrolube Hydraulic Oil Only</i>	
1	28174GT	DECAL, POWER TO PLATFORM 230V**.....2		34	82366GT	DECAL,CHEVRON RANDO HD.....1 <i>For Models with Chevron Rando Hydraulic Oil Only</i>	
2	28175GT	DECAL,WARNING-COMPART ACCESS.....1		35	82557GT	DECAL,LABEL,PLAT CONT LOCATION.....1	
3	28176GT	DECAL,LABEL,MANUAL NOT HERE.....1		36	82558GT	DECAL,WARN,SKIN INJECTION HAZ*.....1	
4	28235GT	DECAL,POWER TO PLATFORM 115V...2		37	82559GT	DECAL,INSTRUCT-ANNUAL INSP REQ.....1	
5	28236GT	DECAL,WARN,IMPROPER OPERATION.....1		38	82561GT	DECAL,DANGER-USE SAFETY ARM...2	
6	31060GT	DECAL,DANGER DO NOT ALTER SWTC.....1		39	82567GT	DECAL, GROUND CONTROL PANEL....1	
7	31508GT	DECAL,DANGER,ELECT HAZARD,PLUG.....1		40	82657GT	DECAL,INSTRUCT,BATTERY CONNECT.....1	
8	31788GT	DECAL,DANGER,BATTERY SAFETY***.....1		41	82703GT	DECAL,LABEL,WHEEL LOAD 2046.....4	
9	40434GT	DECAL,LANYARD ANCHORAGE POINT.....5		42	82704GT	DECAL,LABEL,WHEEL LOAD 2646.....4	
10	43089GT	DECAL,INSTRUCTIONS-OPER,GCP.....1		43	82705GT	DECAL,LABEL,WHEEL LOAD 3246.....4	
11	43618GT	DECAL, LABEL - DIRECTION ARROWS.....2		44	82787GT	DECAL,SYM-MAXCAP CE GS2046.....1	
12	43619GT	DECAL,LABEL,SAFETY ARM.....1		45	82788GT	DECAL,SYM-MAXCAP CE GS2646.....1	
13	43658GT	DECAL,LABEL,PWR TO CHARGR 230V.....1		46	82789GT	DECAL,SYM-MAX CAP CE GS3246.....1	
14	44255GT	DECAL,DANGER,CRUSHING HAZARD.....4		47	82790GT	DECAL,LABEL,CAP IND CE GS2046.....1	
15	44736GT	DECAL,DANGER,TIP-OVER,TILT.....1		48	82791GT	DECAL,LABEL,CAP IND CE GS2646.....1	
16	44737GT	DECAL DANGER TIP OVER TRAYS.....2		49	82792GT	DECAL,LABEL,CAP IND CE GS3246.....1	
17	44753GT	DECAL, LABEL, LED READOUT.....1		50	97662GT	DECAL,INSTR-MANUALFRC,AUS 3246.....1	
18	44980GT	DECAL,LABEL,PWR TO CHARGR 115V.....1		51	97663GT	DECAL,INSTR-MANUALFRC,AUS 400N.....1 <i>For GS2046 & GS2646 Models Only</i>	
19	44981GT	DECAL,LABEL, AIR LINE 110 PSI.....2		52	97712GT	DECAL,DANGER,BRAKE REL SAFETY*.....1	
20	46287GT	DECAL,LABEL-TIRE SPECS.....4		53	97772GT	DECAL,OVERLAY,PLAT CONTROLS***.....1	
21	52475GT	DECAL,LABEL,TRANSPORT TIEDOWN*.....7		54	114360GT	DECAL,DANGER-TIP-OVER,BATT.....1	
22	62056GT	DECAL,COSMETIC,GENIE GS-2046**...2		55	114361GT	DECAL,LABEL-TRANSPORT DIGRAM.....2	
23	62057GT	DECAL,COSMETIC,GENIE GS-2646.....2		56	114385GT	DECAL,DANGER,ELEC HAZARD,GS.....2	
24	62058GT	DECAL,COSMETIC,GENIE GS-3246.....2		57	114386GT	DECAL,DANGER-GEN SAFETY.....1	
25	65052GT	DECAL,LABEL,FAULT CODES.....2		58	133276GT	DECAL,EMERGENCY LOWERING.....1	
26	72086GT	DECAL,LABEL,LIFTING EYE.....4		59	227263GT	DECAL,OP INST,AUS,GS-46.....1	
27	72143GT	DECAL,EMERGENCY STOP,GR.....1					
28	72853GT	DECAL,DANGER,IMPROPER USE HAZ.....1					
29	72970GT	DECAL,INSTRUCTIONS-CHARGER OP.....1					
30	72998GT	DECAL,LABEL,QUINTOLUBRIK.....1 <i>For Models with Quintolub Hydraulic Oil Only</i>					



123.1 Decals with Symbols, GS-2046/2646/3246 (Europe) (from SN GS4605-75438 to GS4607-87508)

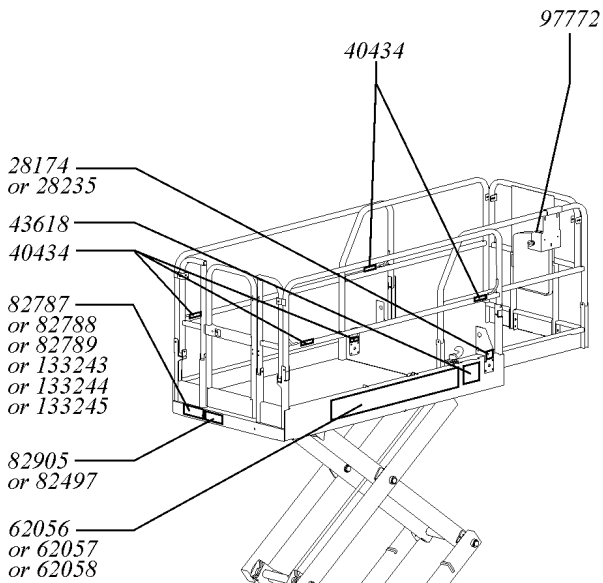


123.1 Decals with Symbols, GS-2046/2646/3246 (Europe) (from SN GS4605-75438 to GS4607-87508)

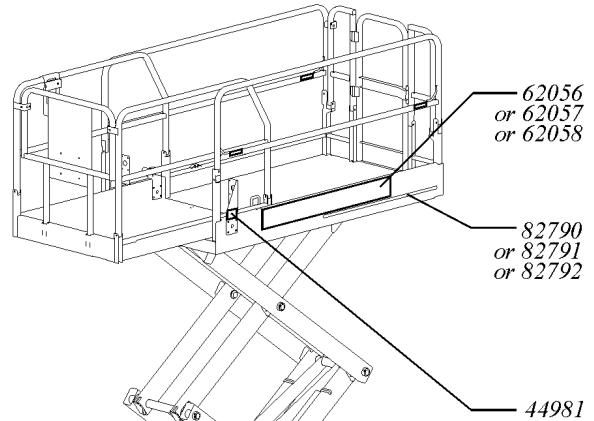
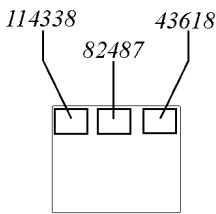
Item	Part No.	Description	Qty.	Item	Part No.	Description	Qty.
1	28174GT	DECAL, POWER TO PLATFORM 230V**.....	2	35	97772GT	DECAL,OVERLAY,PLAT CONTROLS***.....	1
2	28235GT	DECAL,POWER TO PLATFORM 115V.....	2				
3	40434GT	DECAL,LANYARD ANCHORAGE POINT.....	5				
4	43618GT	DECAL, LABEL - DIRECTION ARROWS.....	2				
5	43658GT	DECAL,LABEL,PWR TO CHARGR 230V.....	1				
6	44980GT	DECAL,LABEL,PWR TO CHARGR 115V.....	1				
7	44981GT	DECAL,LABEL, AIR LINE 110 PSI.....	2				
8	52475GT	DECAL,LABEL,TRANSPORT TIEDOWN*.....	7				
9	62056GT	DECAL,COSMETIC,GENIE GS-2046**.....	2				
10	62057GT	DECAL,COSMETIC,GENIE GS-2646.....	2				
11	62058GT	DECAL,COSMETIC,GENIE GS-3246.....	2				
12	72143GT	DECAL,EMERGENCY STOP,GR.....	1				
13	82474GT	DECAL,SYMBOL-USE SAFETY ARM.....	2				
14	82476GT	DECAL,SYMBOL-ELEC HAZARD,GS.....	2				
15	82481GT	DECAL,SYMBOL-BATTERY SAFETY.....	1				
16	82482GT	DECAL,LABEL,AUX LOWERING.....	1				
17	82487GT	DECAL, SYMBOL - READ THE MANUAL.....	2				
18	82495GT	DECAL,SYMBOL-BRAKE REL SAFETY.....	1				
19	82497GT	DECAL,SYM-SIDEFORCE 200400..... <i>For GS-3246 Models Only</i>	1				
20	82502GT	DECAL,LABEL,LED READOUT.....	1				
21	82560GT	DECAL,SYMBOL-SKIN INJECT HAZRD.....	1				
22	82562GT	DECAL,SYMBOL-CRUSHING HAZARD.....	4				
23	82567GT	DECAL, GROUND CONTROL PANEL.....	1				
24	82703GT	DECAL,LABEL,WHEEL LOAD 2046.....	4				
25	82704GT	DECAL,LABEL,WHEEL LOAD 2646.....	4				
26	82705GT	DECAL,LABEL,WHEEL LOAD 3246.....	4				
27	82787GT	DECAL,SYM-MAXCAP CE GS2046.....	1				
28	82788GT	DECAL,SYM-MAXCAP CE GS2646.....	1				
29	82789GT	DECAL,SYM-MAX CAP CE GS3246.....	1				
30	82790GT	DECAL,LABEL,CAP IND CE GS2046.....	1				
31	82791GT	DECAL,LABEL,CAP IND CE GS2646.....	1				
32	82792GT	DECAL,LABEL,CAP IND CE GS3246.....	1				
33	82905GT	DECAL,SYM-SIDEFORCE 400N..... <i>For GS-2046 & GS-2646 Models Only</i>	1				
34	97719GT	DECAL, LABEL, SAFETY ARM SYMB.....	1				



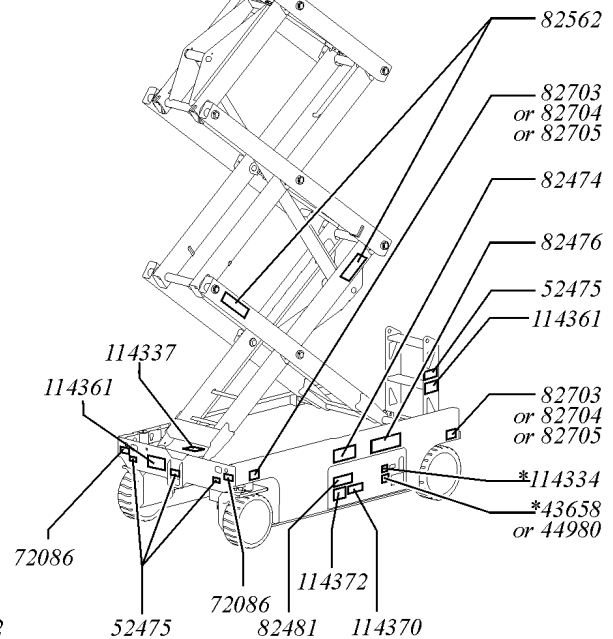
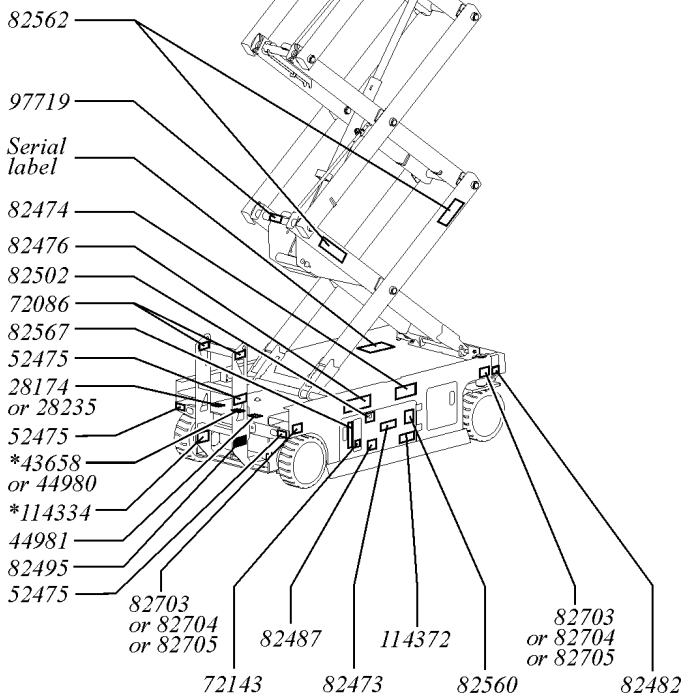
124.1 Decals with Symbols, GS-2046/2646/3246 (Europe) (from SN GS4607-87509 to GS4611A-109999; and from GS4609C-101 to GS4612C-9999)



Ground Control Side



Battery Side

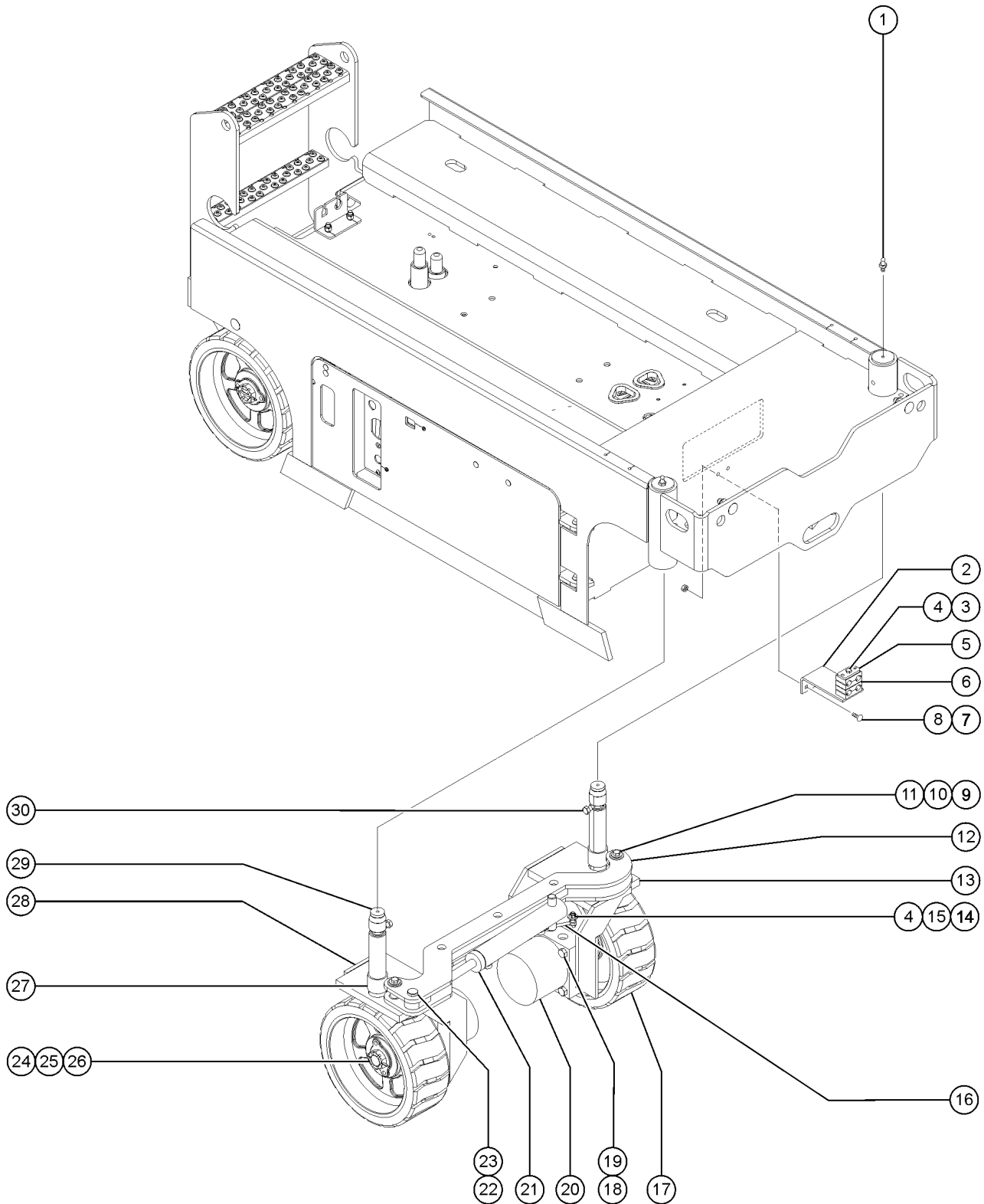


124.1 Decals with Symbols, GS-2046/2646/3246 (Europe) (from SN GS4607-87509 to GS4611A-109999; and from GS4609C-101 to GS4612C-9999)

Item	Part No.	Description	Qty.	Item	Part No.	Description	Qty.
A	161771GT	DECAL KIT,2046 PLAT,SYM,CE <i>(Decal kit, platform for GS-2046 for Europe)</i>		21	82497GT	DECAL,SYM-SIDEFORCE 200400.....1 <i>For GS-3246 Models Only</i>	
B	161772GT	DECAL KIT,2046 COMP,SYM,CE <i>(Decal kit, complete for GS-2046 for Europe) (from SN GS4607-87509 to GS4611A-109999) (from SN GS46099C-101 to GS46112C-9999)</i>		22	82502GT	DECAL,LABEL,LED READOUT.....1	
C	161773GT	DECAL KIT,2646 PLAT,SYM,CE <i>(Decal kit, platform for GS-2646 for Europe)</i>		23	82560GT	DECAL,SYMBOL-SKIN INJECT HAZRD.....1	
D	161774GT	DECAL KIT,2646 COMP,SYM,CE <i>(Decal kit, complete for GS-2646 for Europe) (from SN GS4607-87509 to GS4611A-109999) (from SN GS46099C-101 to GS46112C-9999)</i>		24	82562GT	DECAL,SYMBOL-CRUSHING HAZARD.....4	
E	161775GT	DECAL KIT,3246 PLAT,SYM,CE <i>(Decal kit, platform for GS-3246 for Europe)</i>		25	82567GT	DECAL, GROUND CONTROL PANEL....1	
F	161776GT	DECAL KIT,3246 COMP,SYM,CE <i>(Decal kit, complete for GS-3246 for Europe) (from SN GS4607-87509 to GS4611A-109999) (from SN GS46099C-101 to GS46112C-9999)</i>		26	82703GT	DECAL,LABEL,WHEEL LOAD 2046.....4	
1	28174GT	DECAL, POWER TO PLATFORM 230V**.....2		27	82704GT	DECAL,LABEL,WHEEL LOAD 2646.....4	
2	28235GT	DECAL,POWER TO PLATFORM 115V...2		28	82705GT	DECAL,LABEL,WHEEL LOAD 3246.....4	
3	40434GT	DECAL,LANYARD ANCHORAGE POINT.....5		29	82787GT	DECAL,SYM-MAXCAP CE GS2046.....1 <i>For CE Models Exept Italian</i>	
4	43618GT	DECAL, LABEL - DIRECTION ARROWS.....2		30	82788GT	DECAL,SYM-MAXCAP CE GS2646.....1 <i>For CE Models Exept Italian</i>	
5	43658GT	DECAL,LABEL,PWR TO CHARGR 230V.....1 <i>Found in one of two locations</i>		31	82789GT	DECAL,SYM-MAX CAP CE GS3246.....1 <i>For CE Models Exept Italian</i>	
6	44980GT	DECAL,LABEL,PWR TO CHARGR 115V.....1 <i>Found in one of two locations</i>		32	82790GT	DECAL,LABEL,CAP IND CE GS2046.....1 <i>For Models with Capacity Indicator</i>	
7	44981GT	DECAL,LABEL, AIR LINE 110 PSI.....2		33	82791GT	DECAL,LABEL,CAP IND CE GS2646.....1 <i>For Models with Capacity Indicator</i>	
8	52475GT	DECAL,LABEL,TRANSPORT TIEDOWN*.....7		34	82792GT	DECAL,LABEL,CAP IND CE GS3246.....1 <i>For Models with Capacity Indicator</i>	
9	62056GT	DECAL,COSMETIC,GENIE GS-2046**...2		35	82905GT	DECAL,SYM-SIDEFORCE 400N.....1 <i>For GS-2046 & GS-2646 Models Only</i>	
10	62057GT	DECAL,COSMETIC,GENIE GS-2646.....2		36	97719GT	DECAL, LABEL, SAFETY ARM SYMB....1	
11	62058GT	DECAL,COSMETIC,GENIE GS-3246.....2		37	97722GT	DECAL,OVERLAY,PLAT CONTROLS***.....1	
12	72086GT	DECAL,LABEL,LIFTING EYE.....4		38	114334GT	DECAL,SYM-ELEC HAZARD,PLUG.....1 <i>Found in one of two locations</i>	
13	72143GT	DECAL,EMERGENCY STOP,GR.....1		39	114337GT	DECAL,SYM-TIP-OVER,LIM SWITCH....1	
14	82473GT	DECAL,SYMBOL-COMP ACCESS.....1		40	114338GT	DECAL,SYM-TIP-OVER,TILT ALARM....1	
15	82474GT	DECAL,SYMBOL-USE SAFETY ARM...2		41	114361GT	DECAL,LABEL-TRANSPORT DIGRAM.....2	
16	82476GT	DECAL,SYMBOL-ELEC HAZARD,GS....2		42	114370GT	DECAL-SYM-TIP-OVR,BATTRIES.....1	
17	82481GT	DECAL,SYMBOL-BATTERY SAFETY.....1		43	114371GT	DECAL,SYM-TIP-OVER,OUTRGR.....1	
18	82482GT	DECAL,LABEL,AUX LOWERING.....1		44	114372GT	DECAL SYMBOL TIP OVER TRAYS.....2	
19	82487GT	DECAL, SYMBOL - READ THE MANUAL.....2		45	133243GT	LABEL,MAXCAP,2046.....1 <i>For Italian Models Only</i>	
20	82495GT	DECAL,SYMBOL-BRAKE REL SAFETY.....2		46	133244GT	LABEL,MAXCAP,2646.....1 <i>For Italian Models Only</i>	
				47	133245GT	LABEL,MAX CAP GS3246.....1 <i>For Italian Models Only</i>	



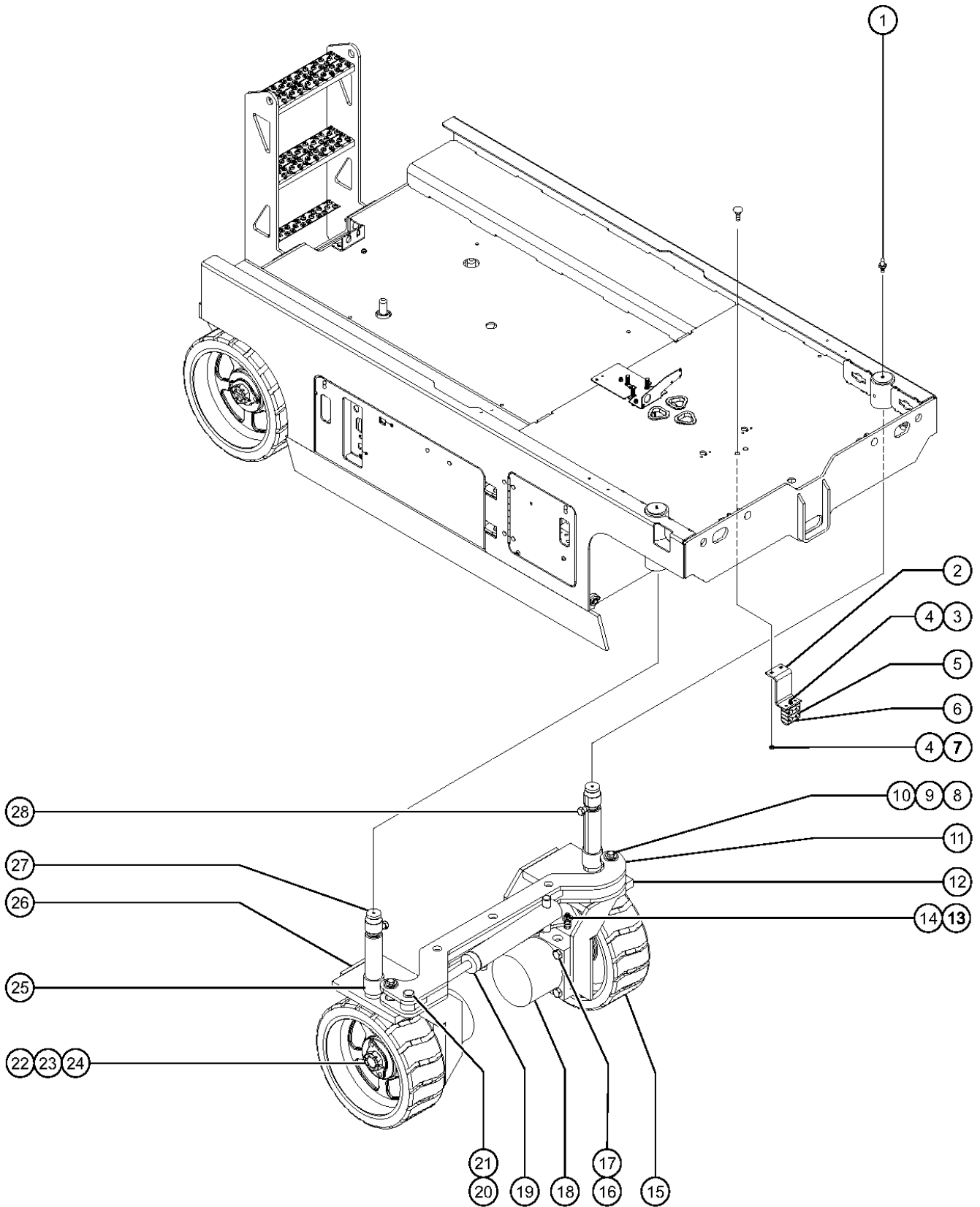
201.1 Steer Linkage and Wheels (GS-1530, GS-1532, GS-1930, GS-1932)



201.1 Steer Linkage and Wheels (GS-1530, GS-1532, GS-1930, GS-1932)

Item	Part No.	Description	Qty.
1	66770GT	FITTING,STRAIGHT DRIVE-IN ZERK....2	
2	105051GT	FORMING,HOSE CLAMP SUPPORT.....1	
3	144374GT	SCREW,HHC,1/4-20X3.25,GR8	
4	6091GT	NUT,NYLOCK,1/4-20	
5	58592GT	PLATE,HOSE ROUTG,BULKHEAD(PTD).....1	
6	78736GT	CLAMP,2 HOSE,PLASTIC,5/8.....4	
7	105092GT	BOLT,CARRIAGE,3/8-16X1.25,GR5	
8	4828GT	NUT,NYLOCK,3/8-16	
9	8255GT	SCREW,HHC,3/8-16 X .75	
10	6097GT	WASHER,FLAT,USS,3/8",Y	
11	47548GT	BEARING,FL,0.75ID X 1 OD X .49.....4	
12	84571GT	TIE ROD ASSEMBLY.....1	
13	96066GT	WELDMENT, STR YOKE, 32 MINI LT GS-1532, GS-1932	
13A	96068GT	WELDMENT, STR YOKE, 30 MINI LT.....1 GS-1530, GS-1930	
14	6888GT	SCREW,HHC,1/4-20 X 1	
15	96258GT	PIN,STEER CYLINDER.....1	
16	45748GT	ROD END,.250 X 2.75 LG.....1	
17	105122GT	WHEEL & TIRE ASSY,LP,12"*****.....2	
18	8357GT	SCREW,HHC,1/2-13 X 3.5	
19	6198GT	NUT,NYLOCK,1/2-13	
20		Ref. Drive Motor (refer to 501.1)	
21		Ref. Steer Cylinder (refer to 501.1)	
22	6545GT	PIN,CLEVIS,.75 X 2.....1	
23	21253GT	CLIP,HAIR PIN .125 X 2.....1	
24	44780GT	NUT,CASTLE,1.125-18 UNEF.....2	
25	44781GT	KEY,RECTANGULAR,.31X.28X1.25**.....2	
26	42079GT	PIN,COTTER,.156 X 2.5.....2	
27	119619GT	BEARING,1.5IDX1.75ODX1.5L,PTFE.....2	
28	96067GT	WELDMENT, STR YOKE, 32 MINI RT GS-1532, GS-1932 (ground control side)	
28A	96069GT	WELDMENT, STR YOKE, 30 MINI RT.....1 GS-1530, GS-1930 (ground control side)	
29	105565GT	WASHER,THRUST, GS.....2	
30	55917GT	SCREW, YOKE LOCK ALL SLABS	

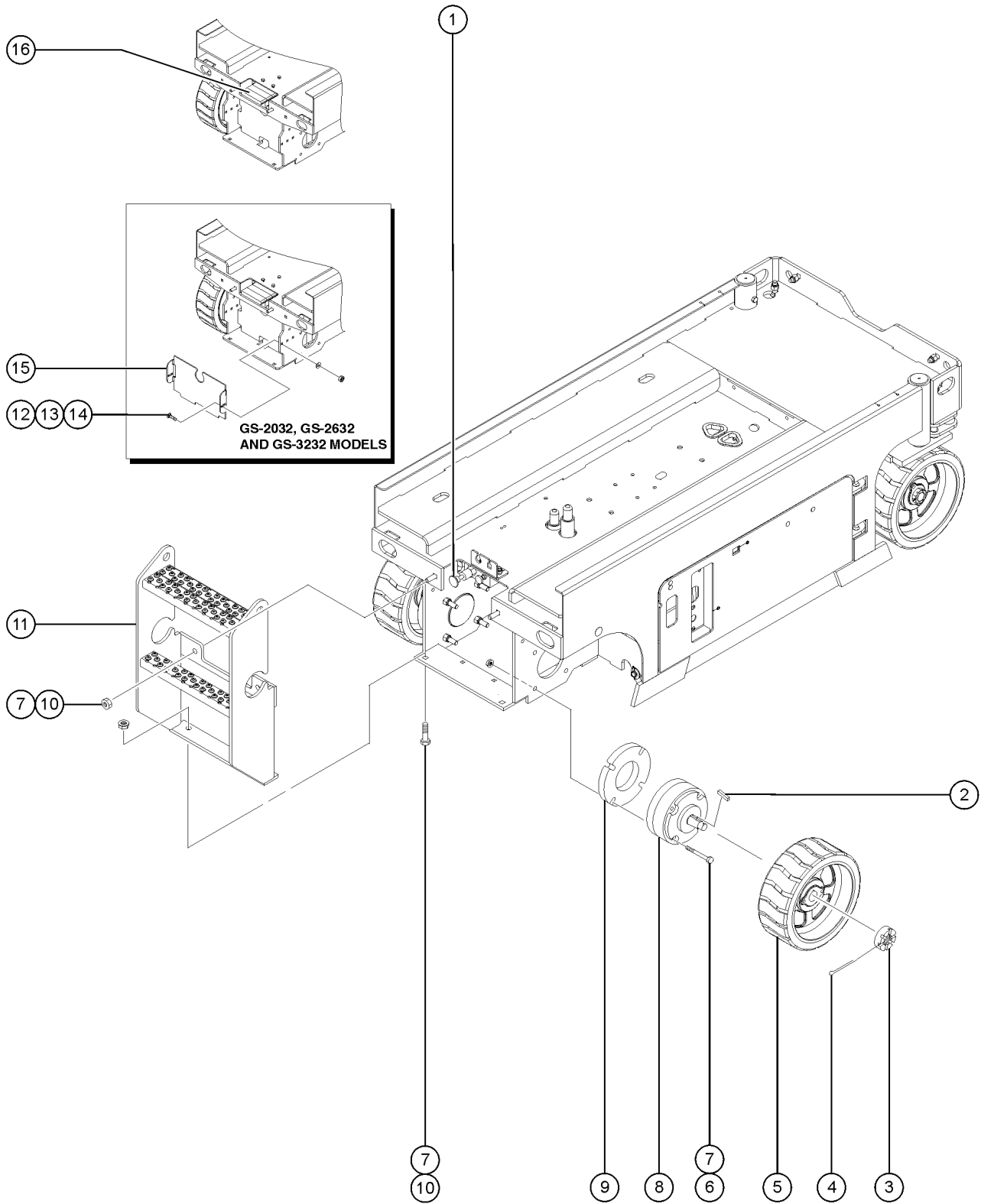
202.1 Steer Linkage and Wheels, GS-2032, GS-2632, GS-3232, GS-2046, GS-2646, GS-3246



202.1 Steer Linkage and Wheels, GS-2032, GS-2632, GS-3232, GS-2046, GS-2646, GS-3246

Item	Part No.	Description	Qty.
1	66770GT	FITTING,STRAIGHT DRIVE-IN ZERK....2	
2	105051GT	FORMING,HOSE CLAMP SUPPORT.....1 GS-2032, GS-2632, GS-3232	
2A	230364GT	FORMING,HOSE CLAMP SPT,PTD,BLU.....1 GS-2046, GS-2646, GS-2046	
3	144374GT	SCREW,HHC,1/4-20X3.25,GR8	
4	6091GT	NUT,NYLOCK,1/4-20	
5	78736GT	CLAMP,2 HOSE,PLASTIC,5/8.....4	
6	58592GT	PLATE,HOSE ROUTG,BULKHEAD(PTD).....1	
7	9116GT	BOLT,CARRIAGE,1/4-20x1.25,G2	
8	8255GT	SCREW,HHC,3/8-16 X .75	
9	15086GT	WASHER,FLAT,.375 X 1.5 X .125	
10	47946GT	BEARING,1.00IDX1.25ODX0.49L.....2	
11	84699GT	TIE ROD ASSEMBLY, GS32.....1	
11A	97267GT	TIE ROD ASSY, GS46	
12	96573GT	WLDMT,STEER YOKE,LT,GS32/46.....1 (battery pack side)	
13	96423GT	RUE RING,3/4 PIN.....1	
14	96907GT	PIN,CLEVIS,0.75 X 3.25".....1	
15	105454GT	WHEEL & TIRE ASSY LP,15".....2	
16	8357GT	SCREW,HHC,1/2-13 X 3.5	
17	6198GT	NUT,NYLOCK,1/2-13	
18		Ref. Drive Motor (refer to 501.1)	
19		Ref. Steer Cylinder (refer to 501.1)	
20	6545GT	PIN,CLEVIS,.75 X 2.....1	
21	21253GT	CLIP,HAIR PIN .125 X 2.....1	
22	44780GT	NUT,CASTLE,1.125-18 UNEF.....2	
23	13635-10GT	PIN,COTTER,.156 X 1.75.....2	
24	44781GT	KEY,RECTANGULAR,.31X.28X1.25**.....2	
25	18722GT	BEARING,2.25IDX2.50ODX1.50L***	
26	96572GT	WLDMT,STEER YOKE,RT,GS32/46.....1 (ground controls side)	
27	105565GT	WASHER,THRUST, GS.....2	
28	55917GT	SCREW, YOKE LOCK ALL SLABS	

203.1 Non-steer Axle Installation, All Models



203.1 Non-steer Axle Installation, All Models

Item	Part No.	Description	Qty.	Item	Part No.	Description	Qty.
1		Hydraulic Brake <i>(refer to 501.1)</i>		16	96465GT	WELDMENT, 1532 COUNTERWT, CE....1 GS-1530 CE & AUSTRALIA INDOOR	
2	44781GT	KEY,RECTANGULAR,.31X.28X1.25**.....2		16A	96465GT	WELDMENT, 1532 COUNTERWT, CE....1 GS-1532 CE & AUSTRALIA (inside rear chassis)	
3	44780GT	NUT,CASTLE,1.125-18 UNEF.....2		16B	96466GT	COUNTERWEIGHT,CAST,CE,1930/32...1 GS-1930 CE & AUSTRALIA INDOOR <i>(inside rear chassis)</i>	
4	42079GT	PIN,COTTER,.156 X 2.5.....2		16C	96466GT	COUNTERWEIGHT,CAST,CE,1930/32...1 GS-1932 CE & AUSTRALIA (inside rear chassis)	
5	105122GT	WHEEL & TIRE ASSY,LP,12*****.....2		16D	105080GT	COUNTERWEIGHT,GS32,REAR.....1 GS-2032 CE & AUSTRALIA (inside rear chassis)	
5	105454GT	WHEEL & TIRE ASSY LP,15".....2		16E	105080GT	COUNTERWEIGHT,GS32,REAR.....1 GS-2632 ANSI (inside rear chassis)	
6	8357GT	SCREW,HHC,1/2-13 X 3.5		16F	105100GT	PLATE,CWGT,GS32 REAR.....1 GS-2632 ANSI (rear stack plate)	
6A	78732GT	SCREW,HHC,1/2-13 X 5 GR5, PLT GS-1532, GS-1932		16G	144142GT	COUNTERWEIGHT,SVC,GSXX32.....8 GS-2632 CE & AUSTRALIA (inside rear chassis) (to SN A84205)	
7	6198GT	NUT,NYLOCK,1/2-13		16H	105080GT	COUNTERWEIGHT,GS32,REAR.....1 GS-2632 CE & AUSTRALIA (inside rear chassis) (from SN A84206, C101)	
8		Ref. Brake Release Manifold <i>(refer to 501.1)</i>		16J	105080GT	COUNTERWEIGHT,GS32,REAR.....1 GS-3232 (inside rear chassis)	
9	78680GT	PLATE,BRAKE SPACER.....2 GS-1532, GS-1932		16K	105100GT	PLATE,CWGT,GS32 REAR.....1 GS-3232 (rear stack plate)	
10	96203GT	BOLT,CARRIAGE,1/2-13X1.75, G5		16L	96887GT	CWT, REAR, XX46.....4 GS-2046 CE & AUSTRALIA (inside rear chassis) (from SN 75438 to 83384)	
11A	144375GT	LADDER ASSY,GS30,WORD,ENG.....1 GS-1530, GS-1532, GS-1930, GS-1932		16M	96887GT	CWT, REAR, XX46.....2 GS-2046 CE & AUSTRALIA (inside rear chassis) (from SN A83385, C101)	
11B	144381GT	LADDER ASSY,WORD,20XX,ENG.....1 GS-2032, GS-2046		16N	96876GT	COUNTERWEIGHT, BELLY.....1 GS-2646, 3246 CE & AUSTRALIA (inside front center of chassis)	
11C	144382GT	LADDER ASSY,20XX,WORD,AUS,ENG GS-2032, GS-2046		16P	96887GT	CWT, REAR, XX46.....3 GS-2646 CE & AUSTRALIA (inside rear chassis) (from SN 75438 to 83384)	
11D	144383GT	LADDER ASSY,20XX,WORD,FR GS-2032, GS-2046		16Q	96887GT	CWT, REAR, XX46.....2 GS-2646 CE & AUSTRALIA (inside rear chassis) (from SN A83385, C101)	
11E	144385GT	LADDER ASSY,20XX,SYM GS-2032, GS-2046		16R	96887GT	CWT, REAR, XX46.....4 GS-3246 ANSI (inside rear chassis) (from SN 75438 to 83384)	
11F	144387GT	LADDER ASSY,26XX-32XX,WORD,ENG.....1 GS-2632, GS-3232, GS-2646, GS-3246		16S	96887GT	CWT, REAR, XX46.....2 GS-3246 ANSI (inside rear chassis) (from SN A83385, C101)	
11G	144388GT	LADR ASSY,26XX-32XX,WORD,AUS,E GS-2632, GS-3232, GS-2646, GS-3246		16T	96887GT	CWT, REAR, XX46.....6 GS-3246 CE & AUSTRALIA (inside rear chassis) (from 75438 to 83384)	
11H	144389GT	LADDER ASSY,26XX-32XX,WORD,FR GS-2632, GS-3232, GS-2646, GS-3246					
11J	144391GT	LADDER ASSY,26XX-32XX,SYM GS-2632, GS-3232, GS-2646, GS-3246					
12	105092GT	BOLT,CARRIAGE,3/8-16X1.25,GR5 GS-30, GS-32					
12A	96203GT	BOLT,CARRIAGE,1/2-13X1.75, G5 GS-2046, GS-2646, GS-3246					
12B	60790GT	BOLT, CARRIAGE, 3/8-16 X 1.50, G5 GS-3232					
13	6097GT	WASHER,FLAT,USS,3/8",Y					
14	4828GT	NUT,NYLOCK,3/8-16					
14A	6198GT	NUT,NYLOCK,1/2-13 GS-2046, GS-2646, GS-3246					
15	105140GT	FORMING,CWT,COVER,GS32.....1 GS-2032, GS-2632, GS-3232 (shown)					
15A	96886GT	FORMING, CWT CLAMP.....1 GS-2046, GS-2646, GS-3246					



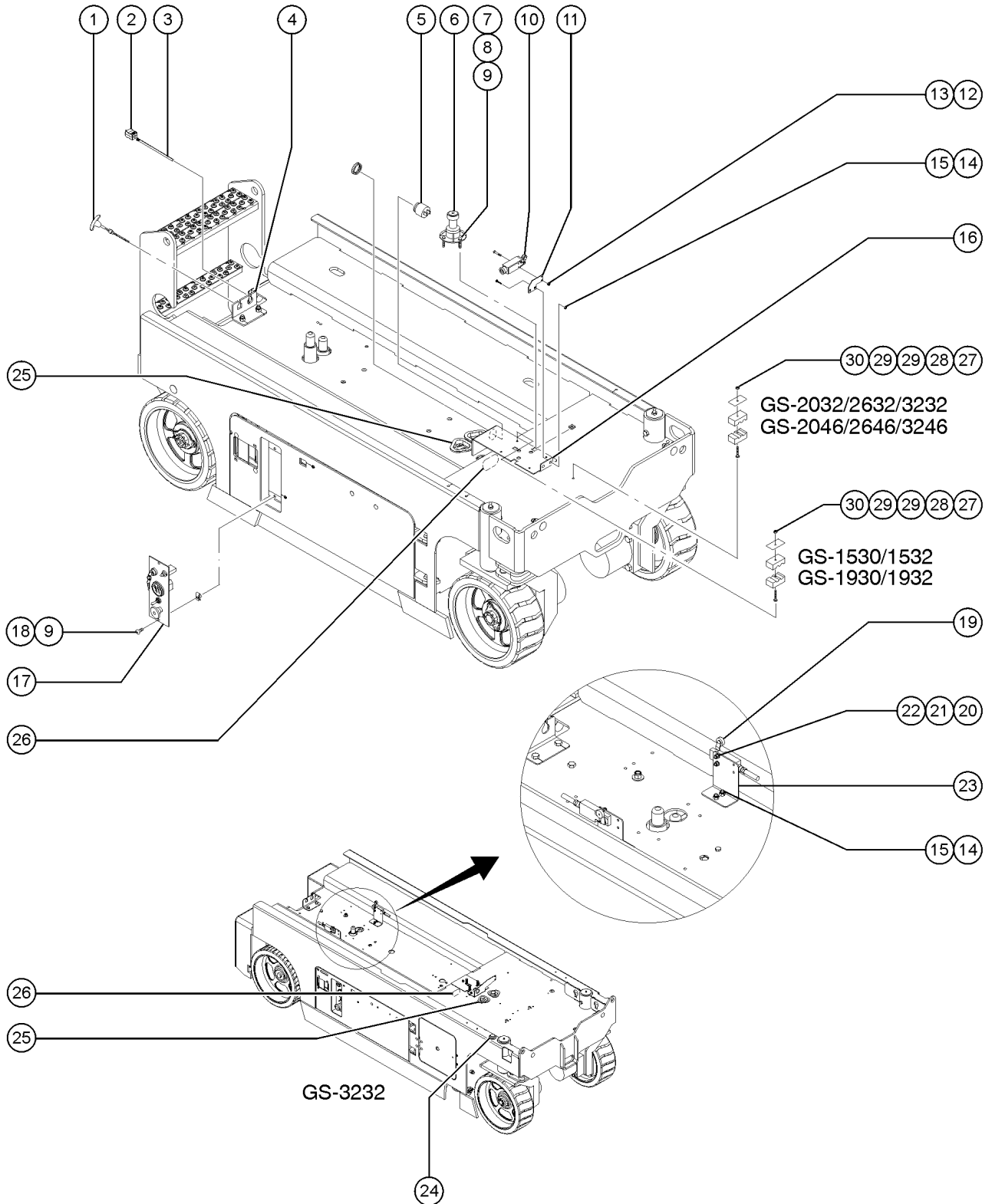
203.1 Non-steer Axle Installation, All Models
(continued)

Item	Part No.	Description	Qty.
16U	96887GT	CWT, REAR, XX46..... GS-3246 CE & AUSTRALIA (inside rear chassis) (from SN A83385, C101)	3

203.1 Non-steer Axle Installation, All Models
(continued)

This Page Intentionally Left Blank

204.1 Ground Controls and Level Sensor Installation, All Models

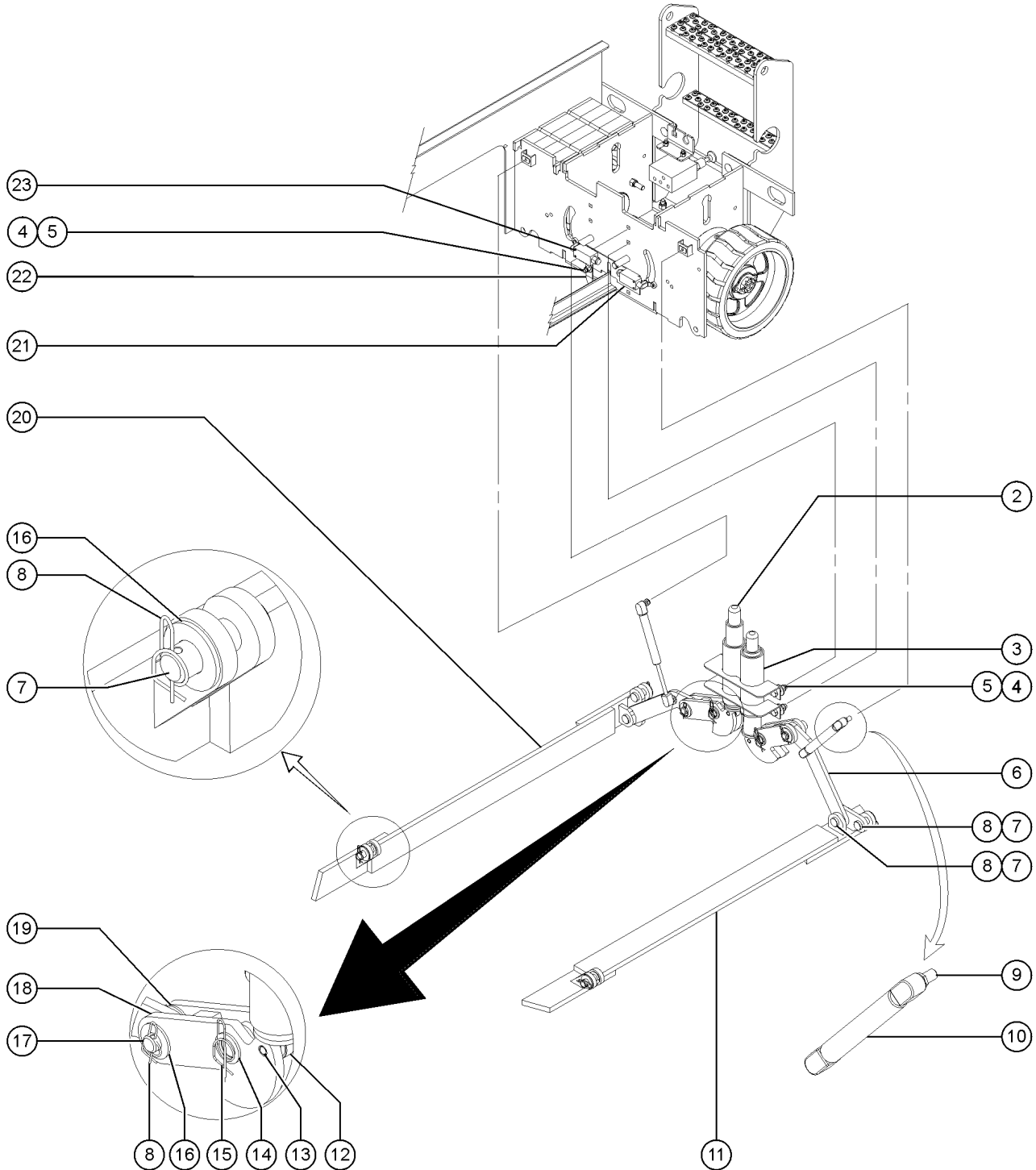


204.1 Ground Controls and Level Sensor Installation, All Models

Item	Part No.	Description	Qty.	Item	Part No.	Description	Qty.
1	39232GT	CABLE,EMERGENCY DOWN.....1	1	16C	96870GT	FORMING,ALARM BRACKET GS-2032, GS-2632, GS-2046, GS-2646, GS-3232, GS-3246	
2		Ref. Electrical Plug (refer to 405.1)		17		Ref. Ground Controls (refer to 210.1)	
3		Ref. Electrical Cord (refer to 405.1)		18	14297GT	SCREW,BHHS,1/4-20 X .75	
4	96103GT	FORMING,CONTROL BRKT.....1	1	19	105664GT	ASSY,22 FT LIMIT SWITCH,GS3232	
4A	96103GT	FORMING,CONTROL BRKT.....1 (to SN GS3010A-99384 and to GS3010C-2264)	1	--		Ref. Wire Harness Assembly (refer to 211.1)	
4B	144226GT	FORMING,REC.PLG BRKT (from SN GS3010A-99385 and GS3010C-2265)		--	105692GT	SWITCH,LIMIT,W/ROLLER ARM	
5	39540GT	ALARM,STEADY TONE***.....1 Does not include 72326 nut	1	20	35461GT	WASHER,FLAT,MS,#8,Y	
--	72326GT	NUT - PLASTIC,RING FOR ALARMS		21	18605GT	NUT,NYLOCK,8-32	
6	105142GT	LEVEL SENSOR,LS60,RED,1.5 DIA.....1	1	22	54380GT	SCREW,PHILLIPS,PHM,8-32 X .875	
7	6637GT	SCREW,HHC,1/4-20 X 1.75		23	105139GT	FORMING, BRKT,UP LIMIT SW.....1 GS-3232 (to SN GS3207-87650)	1
8	39469GT	SPRING,COMPRESSION.485 X1.75**		23A	105736GT	FRMING,LMT SWCH BRKT,3232 GS-3232 (from SN GS3207-87651)	
9	56912GT	SPRING CLIP,1/4-20,.025-.15X.54,ZAG.....5	5	24	6714GT	LEVEL,BUBBLE.....1 GS-3232 (CE and Australia models)	1
10	96948GT	SWITCH,LIMIT,W/ROLLER ARM***.....3 (from SN GS3003-60001 and GS3008C-101) (down limit switch)	3	25A	105440GT	GROMMET,RUBBER 2.5 X 3.0.....2 GS-1530, GS-1532, GS-1930 and GS-1932	2
--	19491GT	CONTACTOR,LIMIT SWITCH (from SN GS3003-60001 and GS3008C-101)		25B	47232GT	GROMMET,RUBBER 2 X 2.75.....2 GS-2032, GS-2632, GS-3232, GS-2046, GS-2646 and GS-3246	2
--	97128GT	ROLLER ARM,LIMIT SWITCH*** (from SN GS3003-60001 and GS3008C-101)		26	131582GT	GROMMET,RUBBER,1.50IDX.375.....1	1
11	96493GT	PLATE, LIMIT SWITCH MOUNT.....1	1	27	18504GT	NUT,LOCKING-LG.FLANGE,1/4-20.....1	1
12	6178GT	NUT,NYLOCK,10-32		28	58592GT	PLATE,HOSE ROUTG,BULKHEAD(PTD).....1	1
13	16487GT	SCREW,RHM,10-32 X 1.5		29	78736GT	CLAMP,2 HOSE,PLASTIC,5/8.....2	2
14	6091GT	NUT,NYLOCK,1/4-20		30	1255797GT	BOLT,CARRIAGE,1/4-20X2,5,ZAG.....1	1
15	6878GT	BOLT,CARRIAGE,1/4-20 X .75,G2		30	96903GT	BOLT,CARRIAGE,1/4-20 X 3.50,G2.....1	1
16	96755GT	FORMING,ALARM BRACKET GS-1530, GS-1532, GS-1930, GS-1932 (to SN GS3005A-76581 and GS3005B-76052)					
16A	105216GT	FORMING, ALARM BRACKET GS-1530, GS-1532, GS-1930, GS-1932 (from SN GS3005A-76582 to GS3005A-84657 and from GS3005B-76053 to GS3005B-80108)					
16B	105310GT	FORMING, ALARM BRACKET,MINI GS-1530, GS-1532, GS-1930, GS-1932 (from SN GS3005A-84658, GS3005B-80109, and GS3008C-101)					
16C	1264129GT	BRACKET, UTS, LARGE GS-2032, GS-2632, GS-2046, GS-2646, GS-3232, GS-3246					



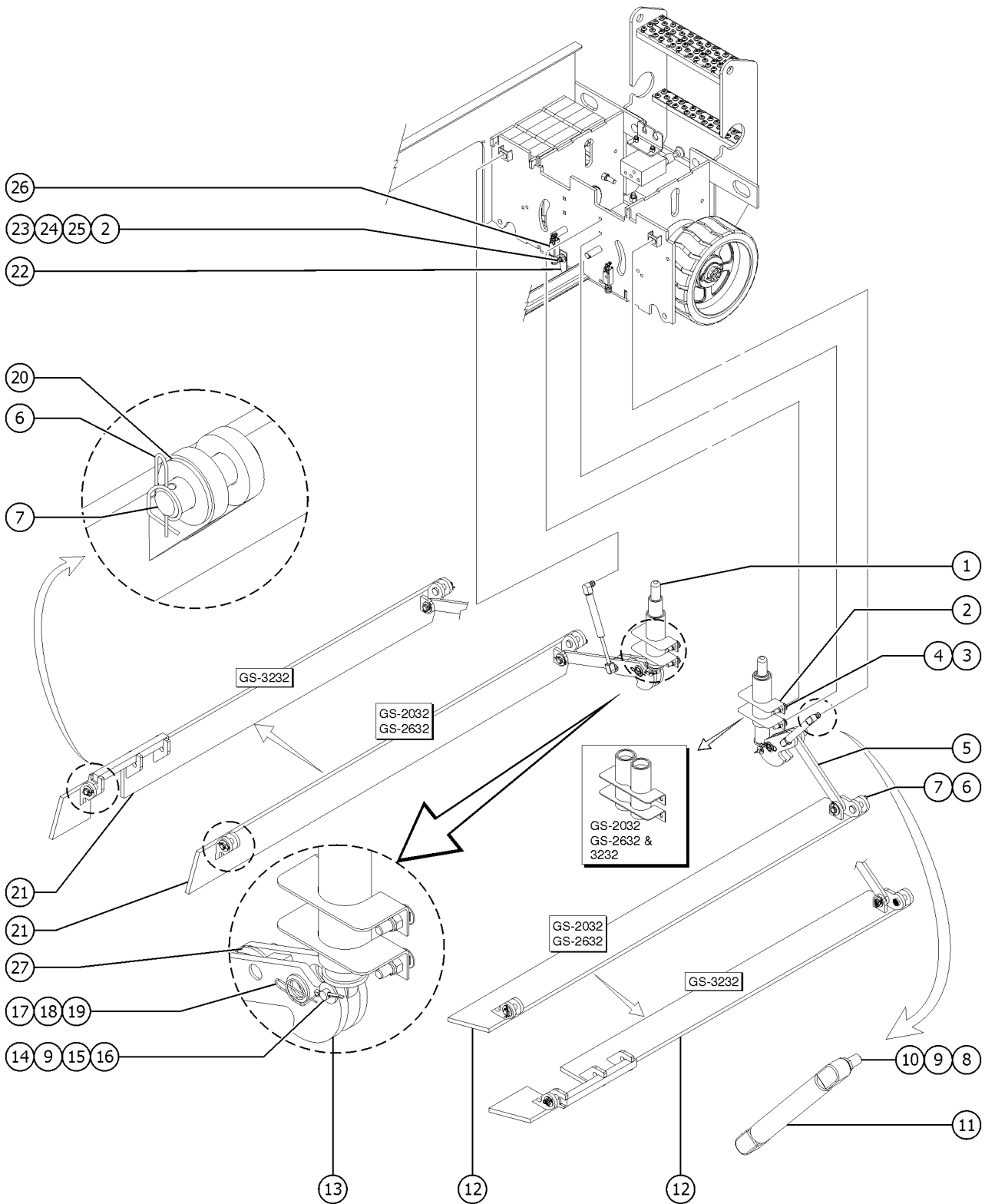
205.1 Pothole Protection Assembly, GS-1530, GS-1532, GS-1930, GS-1932



205.1 Pothole Protection Assembly, GS-1530, GS-1532, GS-1930, GS-1932

Item	Part No.	Description	Qty.
2	96839GT	ASSY,POT HOLE PUSHER,GS***	2
3	96524GT	WLDMT/ASSY, PH GUIDE,GS30/32.....	1
--	96408GT	BEARING,1.523IDX1.75ODX0.63L	
4	4828GT	NUT,NYLOCK,3/8-16	
5	105092GT	BOLT,CARRIAGE,3/8-16X1.25,GR5	
6	105055PGT	PLATE,POTHOLE LINK,GS30.....	2
7	96135GT	PIN,CLEVIS,.625 X 1.88,ZINC PL.....	6
7A	105156GT	BUSHING,FLNGD,.63 X .77 X .38.....	4
8	96422GT	RUE RING,5/8 PIN.....	8
9	78086GT	BALL STUD, GAS STRUT, 3/8-16.....	2
10	39542GT	GAS SHOCK,SCISSORS***	2
11	96039GT	POT HOLE GUARD,LT,WLDMT..... <i>(battery pack side)</i>	1
12	96541GT	CAM FOLLOWER,1.125X.375,DELRIN..	2
13	34742GT	PIN,CLEVIS,.375 X 1.75 LG.....	2
--	12016GT	PIN,COTTER,.125 X .75	
--	5397GT	WASHER,FLAT,USS,5/16",Y	
14	6564GT	WASHER, SHIM,.765 X 1.312 X .093....	2
15	96423GT	RUE RING,3/4 PIN.....	2
16	6898GT	WASHER,SHIM,.625 X 1.188X.064.....	2
17	96134GT	PIN,CLEVIS,.625 X 1.56,ZINC PL.....	2
18	84574GT	POTHOLE BELL CRNK LINK ASSYGS30.....	2
--	96642GT	BEARING,.75ID X 1.0OD X 1.38LG.....	2
19	96085GT	WASHER,THRUST,.63 X 1.13 X .06.....	4
20	96038GT	POT HOLE GUARD,RT,WLDMT..... <i>(ground controls side)</i>	1
21	105275GT	BRACKET,LIMIT SWITCH MTG*** <i>(from SN GS3008B-91073 and GS3008C-101)</i>	
22	96317GT	GROUND STRAP,12"LG***	1
23	96948GT	SWITCH,LIMIT,W/ROLLER ARM***	2
--	19491GT	CONTACTOR,LIMIT SWITCH	
--	97128GT	ROLLER ARM,LIMIT SWITCH***	

206.1 Pothole Protection Assembly, GS-2032, GS-2632, GS-3232, GS-2046, GS-2646, GS-3246

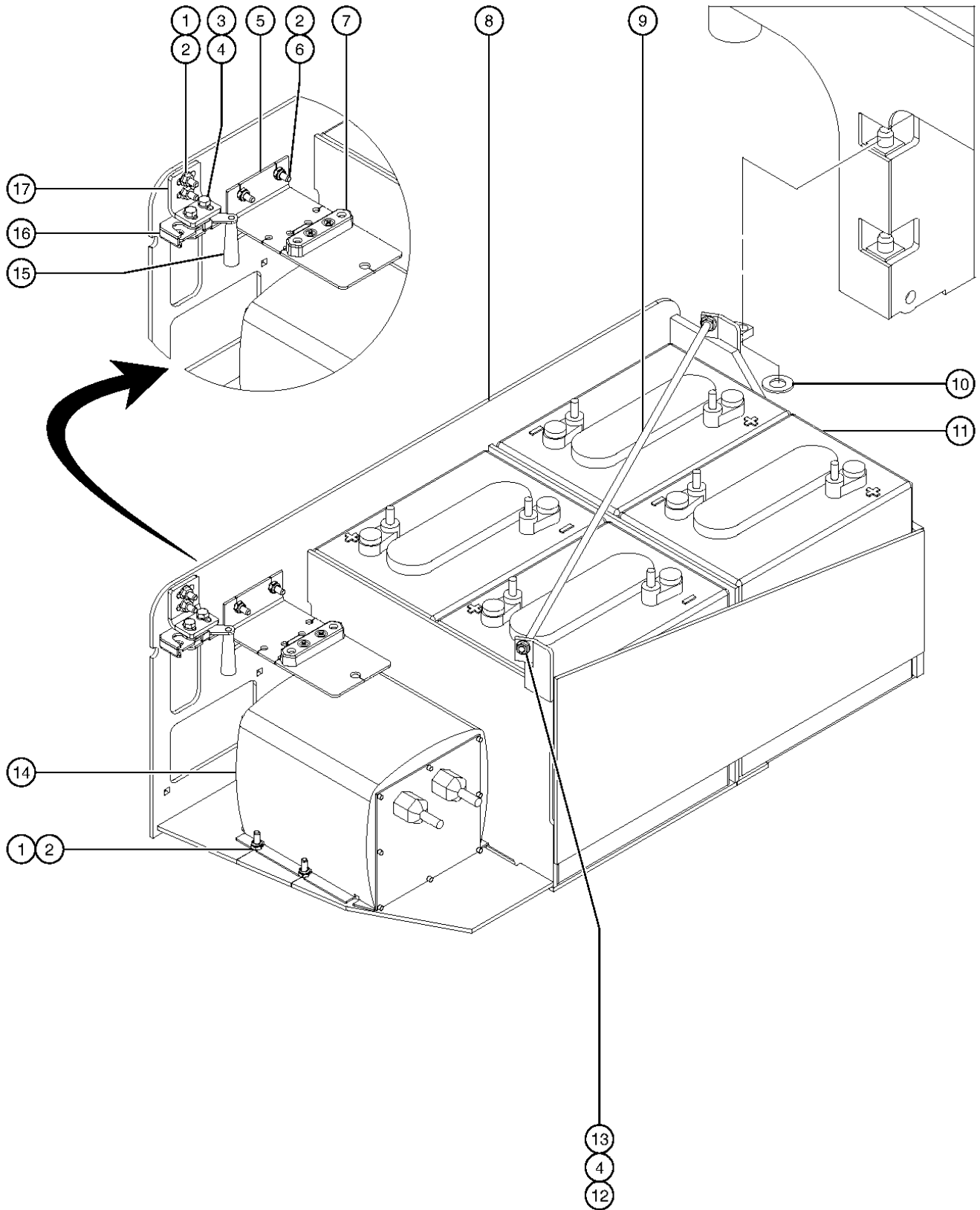


206.1 Pothole Protection Assembly, GS-2032, GS-2632, GS-3232, GS-2046, GS-2646, GS-3246

Item	Part No.	Description	Qty.	Item	Part No.	Description	Qty.
1	96839GT	ASSY,POT HOLE PUSHER,GS***		--	97128GT	ROLLER ARM,LIMIT SWITCH***	
2	96524GT	WLDMT/ASSY, PH GUIDE,GS30/32 GS-2032, GS-2632, GS-3232		27	96085GT	WASHER,THRUST,.63 X 1.13 X .06	
--	96408GT	BEARING,1.523IDX1.75ODX0.63L					
2A	105069GT	WLDMT/ASSY,PH GUIDE,GS46.....2 GS-2046, GS-2646, GS-3246					
--	96408GT	BEARING,1.523IDX1.75ODX0.63L					
3	60790GT	BOLT, CARRIAGE, 3/8-16 X 1.50, G5					
4	4828GT	NUT,NYLOCK,3/8-16					
5	96637GT	PLATE, POTHOLE LINK					
6	96422GT	RUE RING,5/8 PIN					
7	96135GT	PIN,CLEVIS,.625 X 1.88,ZINC PL					
7A	105156GT	BUSHING,FLNGD,.63 X .77 X .38.....4					
8	96643GT	PIN, POTHOLE LINK PIVOT					
9	5397GT	WASHER,FLAT,USS,5/16",Y					
10	78086GT	BALL STUD, GAS STRUT, 3/8-16					
11	39542GT	GAS SHOCK,SCISSORS***					
12	96639GT	WELDMENT, POTHOLE, LEFT SIDE GS-2032, GS-2632, GS-2046, GS-2646, GS-3246 (battery pack side)					
12A	109894GT	WLDMT,POTHOLE,LT,OR GS-3232 (battery pack side)					
13	84574GT	POTHL E BELL CRNK LINK ASSYGS30					
--	96642GT	BEARING,.75ID X 1.00D X 1.38LG					
14	12016GT	PIN,COTTER,.125 X .75					
15	34742GT	PIN,CLEVIS,.375 X 1.75 LG.					
16	96541GT	CAM FOLLOWER,1.125X.375,DELRI N					
17	96423GT	RUE RING,3/4 PIN					
18	6564GT	WASHER, SHIM,.765 X 1.312 X .093					
19	55355GT	SPACER,.75ID X 1.50D X 1/4THK					
20	6898GT	WASHER,SHIM,.625 X 1.188X.064					
21	96638GT	WELDMENT, POTHOLE, RIGHT SIDE GS-2032, GS-2632, GS-2046, GS-2646, GS-3246 (ground controls side)					
21A	109893GT	WLDMT,POTHOLE,RT,OR.....2 GS-3232 (ground controls side)					
22	105060GT	GROUND STRAP, 8"LG					
23	64154GT	BOLT,CARRIAGE,3/8-16 X1.00,G5					
24	6700GT	WASHER,STAR,EXTERNAL,.375					
25	6097GT	WASHER,FLAT,USS,3/8",Y					
26	96948GT	SWITCH,LIMIT,W/ROLLER ARM***2 (down limit switch)					
--	19491GT	CONTACTOR,LIMIT SWITCH					
--	49775GT	SCREW,PHILLIPS,PHM,10-32X 1.75					
--	6146GT	WASHER,FLAT,MS,#10,Y					
--	6178GT	NUT,NYLOCK,10-32					



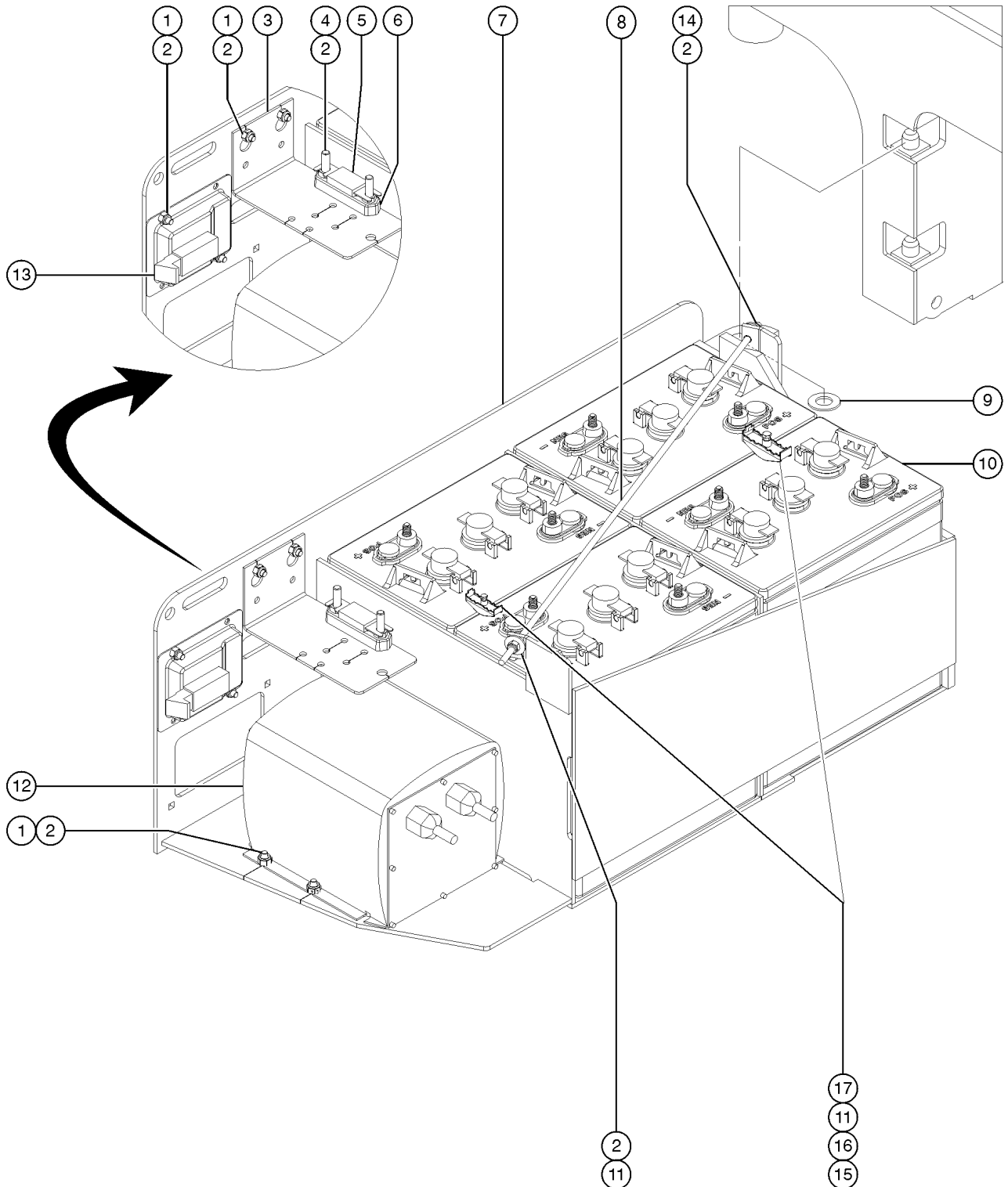
207.1 Battery Pack Module (to SN GS3007A-90292, GS3007B-85535, GS3207-85959, GS4607-85667)



207.1 Battery Pack Module (to SN GS3007A-90292, GS3007B-85535, GS3207-85959,
GS4607-85667)

Item	Part No.	Description	Qty.
1	18504GT	NUT,LOCKING-LG.FLANGE,1/4-20	
2	79456GT	BOLT,CARRIAGE,1/4-20 X 1.00,G2	
3	6090GT	SCREW,HHC,1/4-20 X .75	
4	6356GT	WASHER,LOCK,.25	
5	145284GT	FORMING,FUSE BRACKET.....1	
6	6889GT	NUT,LP NYLOCK,1/4-20	
7	66717GT	FUSE BLOCK, ANN & ANL FUSE.....1 (includes mounting fasteners)	
--	40833GT	FUSE,275 AMP,VERY FAST ACTING	
8	97125GT	BATTERY TRAY ASSY W/WORDS***1 (USA, Canada, Australia)	
8A	97126GT	BATTERY TRAY ASSY W/SYMBOLS*** (Europe, Asia, South America)	
9	30784-2550GT	THREADED ROD,(1/4-20),25.50.....1	
10	33278GT	WASHER,FLAT,.75 HARDENED	
11	76502GT	BATTERY,T105 W/LPT,3 CAP,DRY**.....4	
--	137769GT	BATTERY WATERING HAND PUMP	
--	137770GT	BATTERY WATERING KIT, 24V UNIV (to watch the installation video, copy and paste this link to your web browser) https://www.youtube.com/watch?v=13zTt-hWik	
--	18503GT	NUT,LOCKING-LG.FLANGE,5/16-18.....8	
11A	105150GT	BATTERY, AGM, 6V, (TROJAN) ***	
--	137769GT	BATTERY WATERING HAND PUMP	
--	137770GT	BATTERY WATERING KIT, 24V UNIV (to watch the installation video, copy and paste this link to your web browser) https://www.youtube.com/watch?v=13zTt-hWik	
12	6091GT	NUT,NYLOCK,1/4-20	
13	6638GT	WASHER,FLAT,USS,1/4"Y	
14		Ref. Battery Charger (refer to 208.1)	
15	105221GT	HANDLE, LATCH, TRAY for use with 96112 latch only	
16	105319GT	LATCH,BATT/HYDR TRAY***.....1	
17	96113GT	BRACKET,TRAY LATCH (to SN GS3207-84824 and GS4607-84402)	

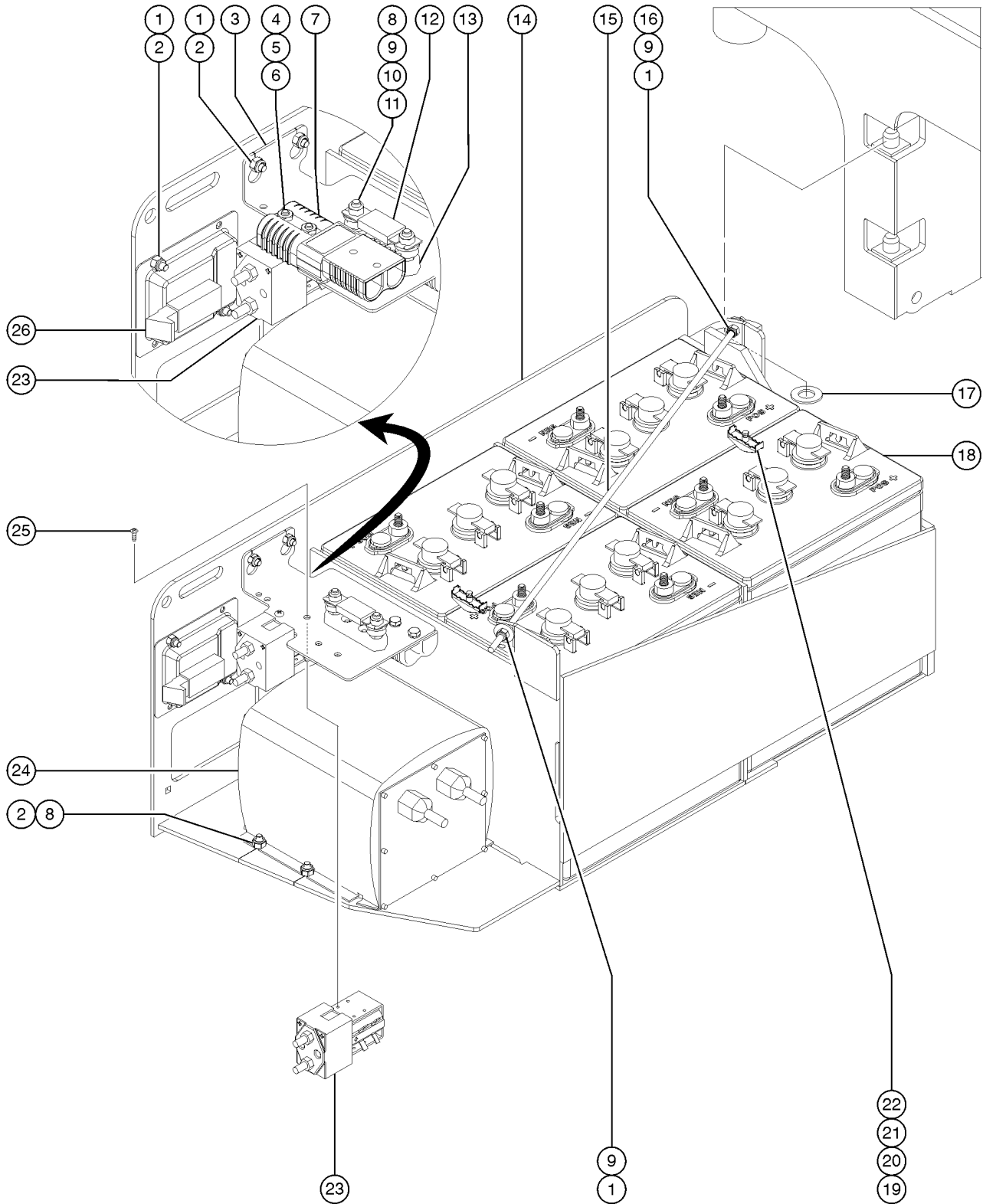
207.2 Battery Pack Module (from SN GS3007A-90293 to GS3011A-110827, from GS3007B-85536, from GS3008C-101 to GS3012C-10009, from GS3207-85960 to GS3211A-97903 , from GS3208C-101 to GS3212C-1386, from GS4607-85668 to GS4611A-97982, and from GS4609C-101 to G



207.2 Battery Pack Module (from SN GS3007A-90293 to GS3011A-110827, from GS3007B-85536, from GS3008C-101 to GS3012C-10009, from GS3207-85960 to GS3211A-97903 , from GS3208C-101 to GS3212C-1386, from GS4607-85668 to GS4611A-97982, and from GS4609C-101 to G

Item	Part No.	Description	Qty.
1	6878GT	BOLT,CARRIAGE,1/4-20 X .75,G2	
2	6091GT	NUT,NYLOCK,1/4-20	
3	145284GT	FORMING,FUSE BRACKET.....1	
4	13000GT	SCREW,HHC,5/16-18 X 1.25	
5	40833GT	FUSE,275 AMP,VERY FAST ACTING	
6	66717GT	FUSE BLOCK, ANN & ANL FUSE.....1 (includes mounting fasteners)	
7	115156GT	BATTERY TRAY ASSEMBLY W/WORD DECALS.....1 (USA, Canada, and Australia)	
7A	115157GT	BATTERY TRAY ASSEMBLY W/SYMBOL DECALS (Europe, Asia, South America)	
8	30784-2550GT	THREADED ROD,(1/4-20),25.50.....1	
9	33278GT	WASHER,FLAT,.75 HARDENED	
10	76502GT	BATTERY,T105 W/LPT,3 CAP,DRY**.....4	
--	137769GT	BATTERY WATERING HAND PUMP	
--	137770GT	BATTERY WATERING KIT, 24V UNIV (to watch the installation video, copy and paste this link to your web browser) https://www.youtube.com/watch?v=13zTtHhWik	
--	18503GT	NUT,LOCKING-LG.FLANGE,5/16-18.....8	
10A	105150GT	BATTERY, AGM, 6V, (TROJAN) ***	
11	6638GT	WASHER,FLAT,USS,1/4"Y	
12		Ref. Battery Charger (Refer to 208.1)	
13	55675GT	LATCH, LRG PADDLE HANDLE GS90...1	
14	6889GT	NUT,LP NYLOCK,1/4-20.....1	
15	105209GT	CLAMP,CABLE & HOSE	
16	6145GT	SCREW,HHC,1/4-20 X 1.5	
17	18504GT	NUT,LOCKING-LG.FLANGE,1/4-20	

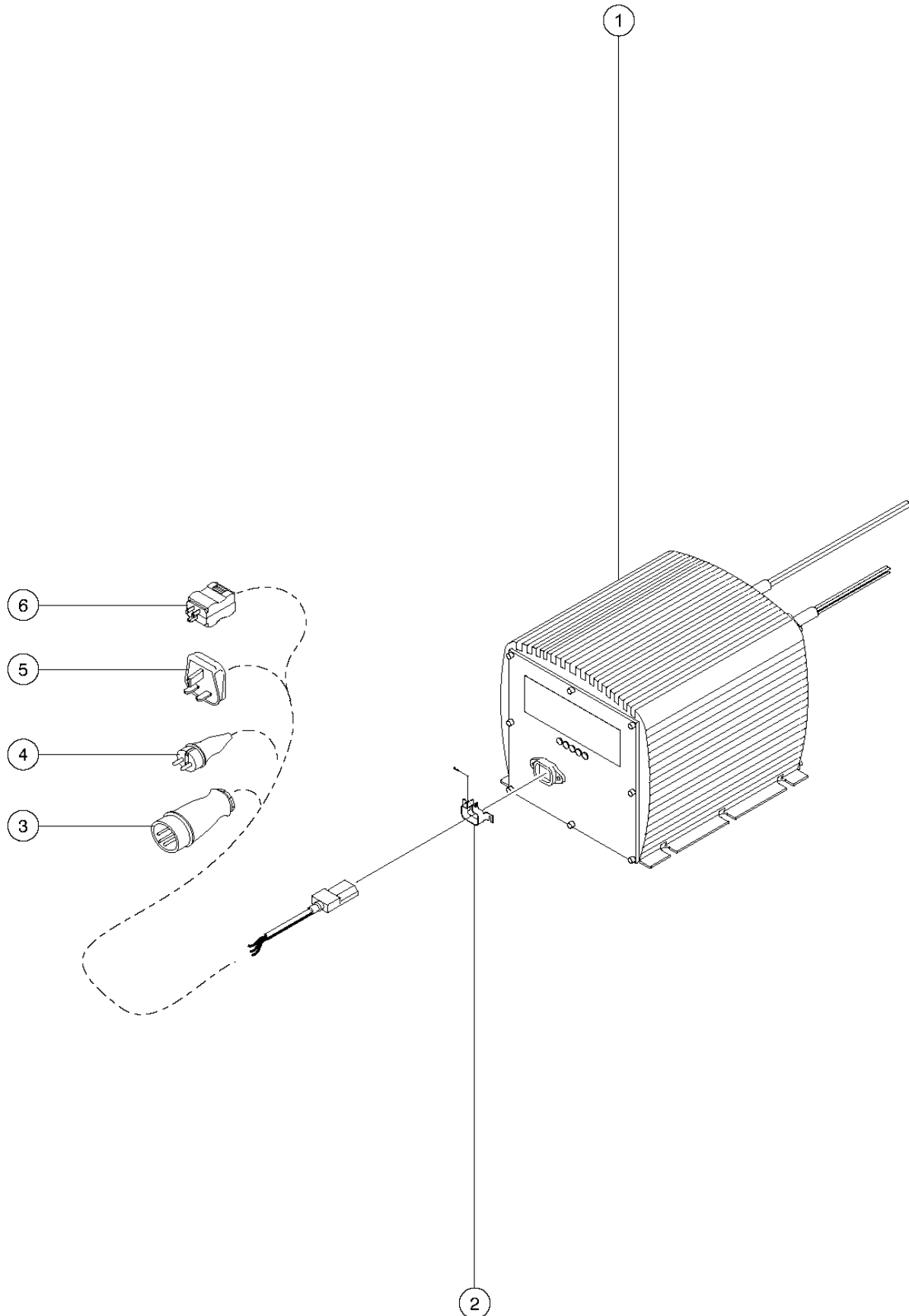
207.3 Battery Pack Module (from SN GS3011A-110828, from GS3012C-10010, from SN GS3211A-97904 , from GS3212C-1387, from GS4611A-97983, and from GS4612C-1386)



207.3 Battery Pack Module (from SN GS3011A-110828, from GS3012C-10010, from SN GS3211A-97904 , from GS3212C-1387, from GS4611A-97983, and from GS4612C-1386)

Item	Part No.	Description	Qty.
1	6091GT	NUT,NYLOCK,1/4-20.....	6
2	6878GT	BOLT,CARRIAGE,1/4-20 X .75,G2.....	8
3	232531GT	FORMING,CONTACTOR MOUNT,GS.....	1
4	66094GT	NUT-THIN HEAVY HEX, 1/4-20.....	4
5	6356GT	WASHER,LOCK,.25.....	4
6	8915GT	SCREW,HHC,1/4-20 X 1.25.....	4
7	66397GT	QUICK DISCONNECT CASING,BATT**.....	2
8	18504GT	NUT,LOCKING-LG.FLANGE,1/4-20.....	2
9	5397GT	WASHER,FLAT,USS,5/16",Y.....	2
10	18503GT	NUT,LOCKING-LG.FLANGE,5/16-18.....	2
11	105273GT	SCREW,HEX HD,NO SLOT,#14X.50.....	2
12	40833GT	FUSE,275 AMP,VERY FAST ACTING.....	1
13	66717GT	FUSE BLOCK, ANN & ANL FUSE..... <i>(includes mounting fasteners)</i>	1
14	233366GT	ASSY,GS BATTERY TRAY <i>(includes items 3, 15 and 24. Does not include decals. To order decals, please refer to Section 1)</i>	
15	30784-2550GT	THREADED ROD,(1/4-20),25.50.....	1
16	6889GT	NUT,LP NYLOCK,1/4-20.....	1
17	33278GT	WASHER,FLAT,.75 HARDENED	
18A	76502GT	BATTERY,T105 W/LPT,3 CAP,DRY**.....	4
--	137769GT	BATTERY WATERING HAND PUMP	
--	137770GT	BATTERY WATERING KIT, 24V UNIV <i>(to watch the installation video, copy and paste this link to your web browser)</i> https://www.youtube.com/watch?v=13zTt-hWik	
--	18503GT	NUT,LOCKING-LG.FLANGE,5/16-18.....	8
18B	105150GT	BATTERY, AGM, 6V, (TROJAN) ***.....	4
--	137769GT	BATTERY WATERING HAND PUMP	
--	137770GT	BATTERY WATERING KIT, 24V UNIV <i>(to watch the installation video, copy and paste this link to your web browser)</i> https://www.youtube.com/watch?v=13zTt-hWik	
19	105209GT	CLAMP,CABLE & HOSE.....	2
20	6145GT	SCREW,HHC,1/4-20 X 1.5.....	2
21	6638GT	WASHER,FLAT,USS,1/4"Y.....	2
22	18504GT	NUT,LOCKING-LG.FLANGE,1/4-20.....	2
23	74267GT	CONTACTOR,DRIVE,24V,180A***.....	1
24		Ref. Battery Charger <i>(Refer to 206.1)</i>	
25	49818GT	SCREW,PHILLIPS,PHM,10-32 X .38.....	2
26	55675GT	LATCH, LRG PADDLE HANDLE GS90...1	

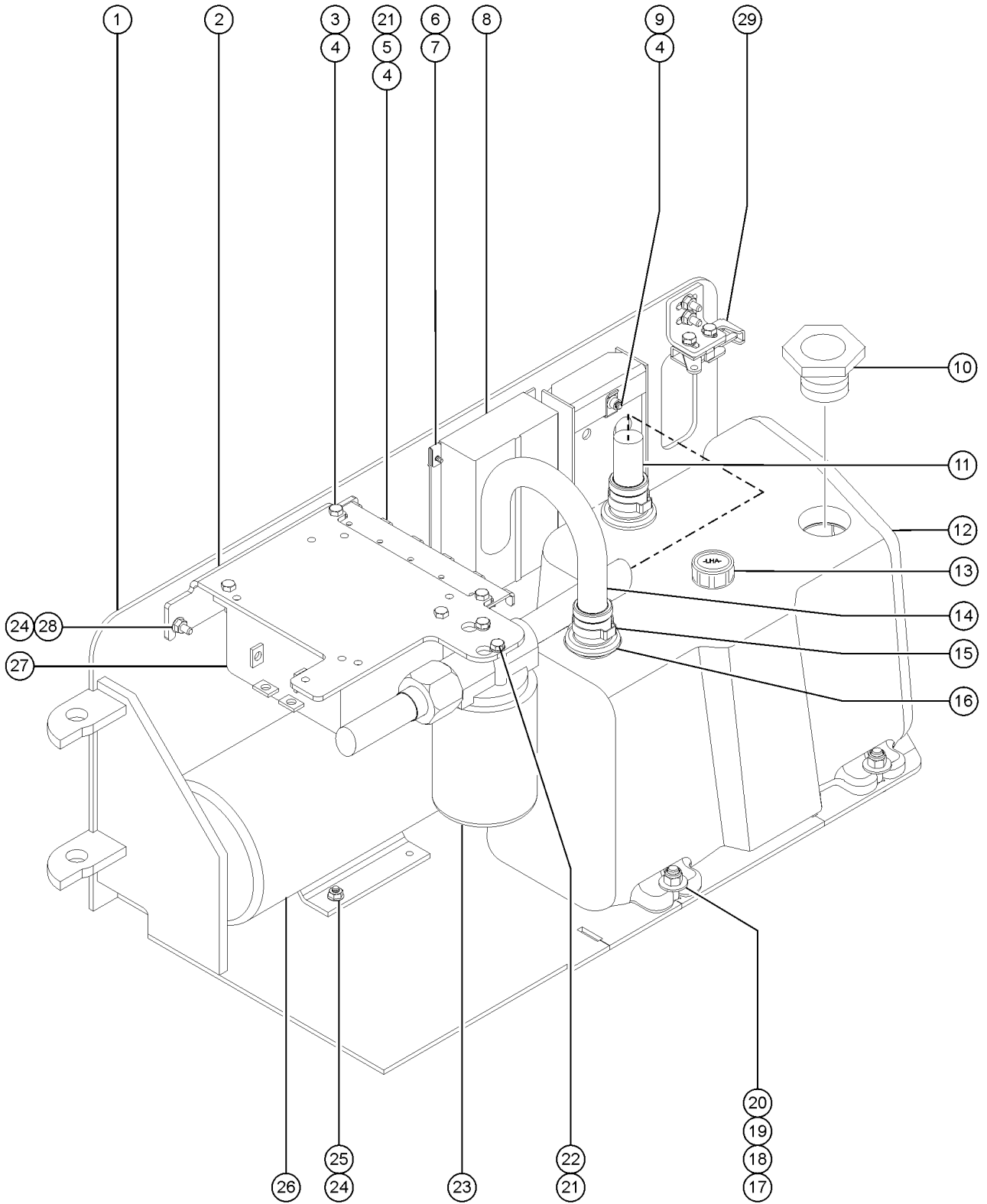
208.1 Battery Charger



208.1 Battery Charger

Item	Part No.	Description	Qty.
--	105334GT	CONNECTOR, IEC CHARGER CORD <i>for 5-LED battery charger</i>	
--	97059GT	FUSE,BATTERY CHARGER*** <i>for 5-LED battery charger</i>	
1A	105739GT	CHARGER,BAT,24VDC,H/LO GEN2.....1	
--	144180GT	MANUAL,OWNERS,CHARGER,105739	
1B		Ref. Field Assembly Recessed Charger Plug <i>(refer to 405.1)</i>	
1C	219480GT	KIT,BATTERY CHARGER,24V <i>(includes 105739 charger, fasteners, ring terminals and instructions for field installation)</i>	
2	55010GT	LOCK, CONNECTOR.....1 <i>(includes fasteners)</i>	
3	71706GT	POWER CORD, UK 110, 115".....1	
4A	55019GT	POWER CORD,NOVON, 8".....1 <i>(to SN GS3010A-99384; GS3210A-94947; GS4610A-95412; GS3010C-2264; GS3210C-422; GS4610C-125)</i>	
4B	144130GT	POWER CORD, IEC 320, 115" <i>(from SN GS3010A-99385; GS3210A-94948; GS4610A-95413; GS3010c-2265; GS3210C-423; GS4610C-126)</i>	
5	55018GT	POWER CORD,UK-HIGH VOLTAGE, 8".....1	
6	55021GT	POWER CORD,US 110, 8".....1	

209.1 Power Unit Module, All Models (to SN GS3007A-90292, GS3007B-85535, GS3207-85959, and GS4607-85667)

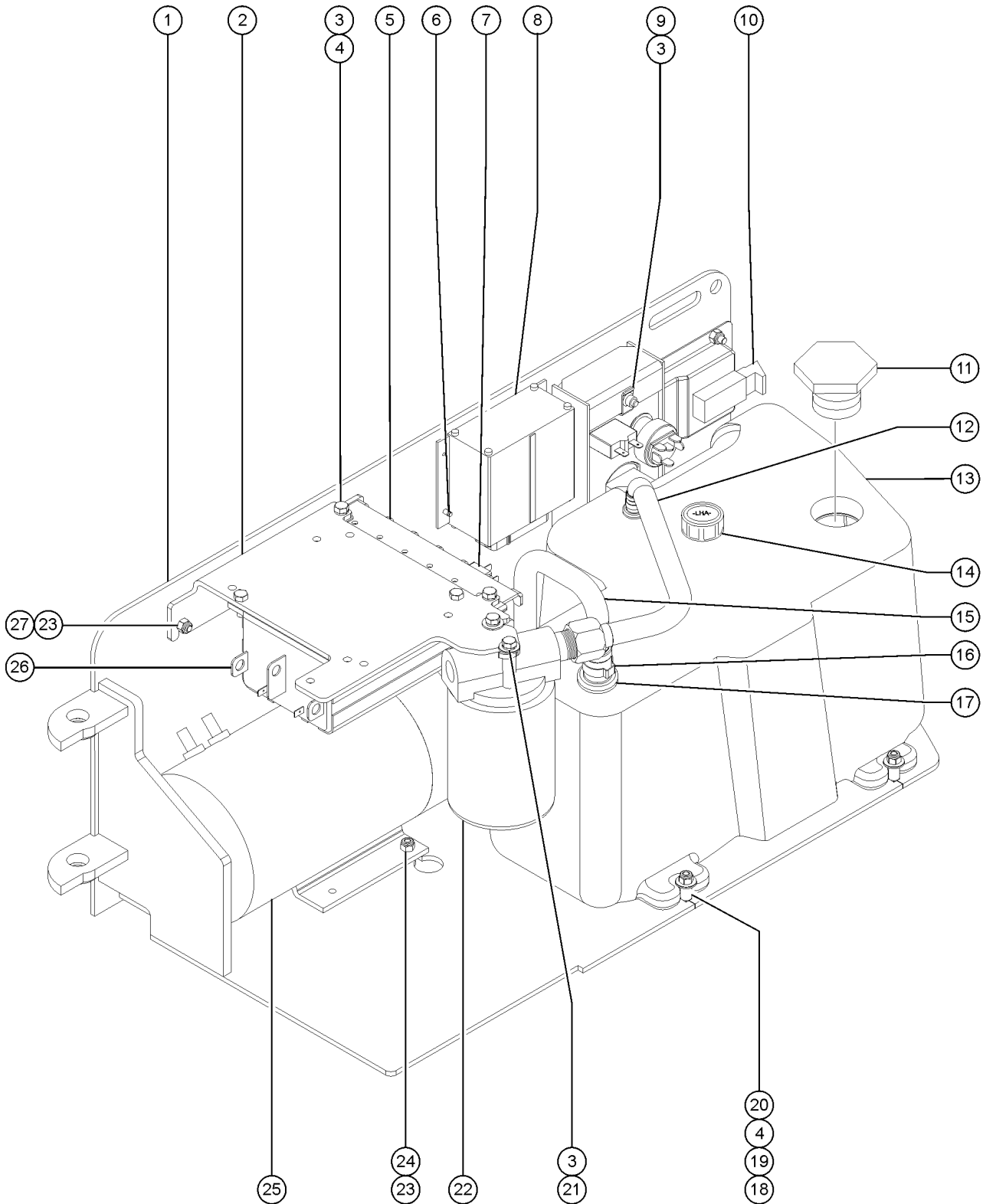


209.1 Power Unit Module, All Models (to SN GS3007A-90292, GS3007B-85535, GS3207-85959, and GS4607-85667)

Item	Part No.	Description	Qty.	Item	Part No.	Description	Qty.
1	84398GT	HYDR TRAY ASSY W/WORDS,2003MIN.....1 <i>USA, Canada, Australia</i>	1	22	6356GT	WASHER,LOCK,.25	
1A	84400GT	HYDR TRAY ASSY W SYMBOLS 30MIN <i>Europe, Asia, South America</i>		23		Ref. Filter Assembly <i>refer to 501.1</i>	
2	96215GT	FORMING,FILTER-CNTRLR MOUNT.....1 <i>to SN GS3005A-79065 and GS3005B-76765</i>	1	24	18504GT	NUT,LOCKING-LG.FLANGE,1/4-20	
--	105308GT	FORMING, FILTER-CNTRLR MOUNT <i>ANSI and CE models; from SN GS3005A-79066 and GS3005B-76766</i>		25	14297GT	SCREW,BHHS,1/4-20 X .75	
--	56302GT	RELAY,24VDC,40/30A,SEALED***.....1 <i>ANSI and CSA (not shown)</i>	1	26		Ref. Power Unit <i>refer to 505.1</i>	
3	6888GT	SCREW,HHC,1/4-20 X 1		--	1257840GT	MOTOR CONTROLLER, DC,24V,360A <i>motor controllers sold separately only in cases where upgrade kits are N/A or an upgrade kit has been previously installed</i>	
4	56912GT	SPRING CLIP,1/4-20,.025-.15X.54,ZAG		27A	1257204GT	KIT,GS30/32 MOTOR CONTROLLER.....1 <i>(from SN GS30-62711, GS32-51481)</i>	1
5	105309GT	FORMING, RELAY MOUNT.....1 <i>CE models; from SN GS3005A-79066 and GS3005B-76766</i>	1	27B	1257205GT	KIT,GS46 MOTOR CONTROLLER.....1 <i>(from SN GS46-50781)</i>	1
--	56302GT	RELAY,24VDC,40/30A,SEALED***.....5 <i>CE models</i>	5	27C	232534GT	KIT,CONTACTOR,GS.....1 <i>from GS30-62711, GS32-51481, GS46-50781</i>	1
6	73575GT	SPRING CLIP,10-24,.025-.125X.468,ZAG		27D	233379GT	KIT, INVERTER JUMPER, GS	
7	73587GT	SCREW,PHIL,10-24 X .75		28	79456GT	BOLT,CARRIAGE,1/4-20 X 1.00,G2.....1	1
8	100839GT	ECU,SLAB/GR GEN 5***.....1	1	29		Ref. Rotary Latch.....1 <i>refer to 207.1</i>	1
--	105288GT	KIT,GEN5 ECU AND MOUNTING***					
--	39520GT	RECEPTACLE,FEMALE,36 CONTACT					
--	39521GT	RECEPTACLE,ANTI-BACKOUT					
--	39673GT	CONTACT,14-20GA.					
--	51577GT	RECEPTACLE,FEMALE 18 CONT.					
--	51578GT	RECEPTACLE ANTIBACKOUT,18 CONT					
9	14297GT	SCREW,BHHS,1/4-20 X .75					
10	66204GT	FILTER CAP (PLUG 1-1/2" NPT HEX.....1	1				
11	96355GT	TUBE, ASSY, RETURN.....1	1				
--	96357GT	TUBE, RETURN					
12	226163GT	HYD. TANK KIT, GS30,32,46 <i>includes items 15 and 16</i>					
--	105072GT	KIT,HYD TANK MTG HARDWARE <i>includes items 17-20</i>					
--	T109012GT	TANK,HYD, SLAB SCISSORS.....1	1				
13	78546GT	BREATHER CAP,HYD. TANK,1/4 NPT.....1	1				
14	96354GT	TUBE, ASSY, DRAW.....1	1				
15	96855GT	CLAMP,HOSE,1 EAR,1-1/16***.....2	2				
16	96709GT	GROMMET,SLAB HYD TANK***.....2	2				
17	9116GT	BOLT,CARRIAGE,1/4-20x1.25,G2					
18	96699GT	SLEEVE,TANK SUPPORT.....4	4				
19	6638GT	WASHER,FLAT,USS,1/4"Y					
20	6889GT	NUT,LP NYLOCK,1/4-20					
21	6090GT	SCREW,HHC,1/4-20 X .75					



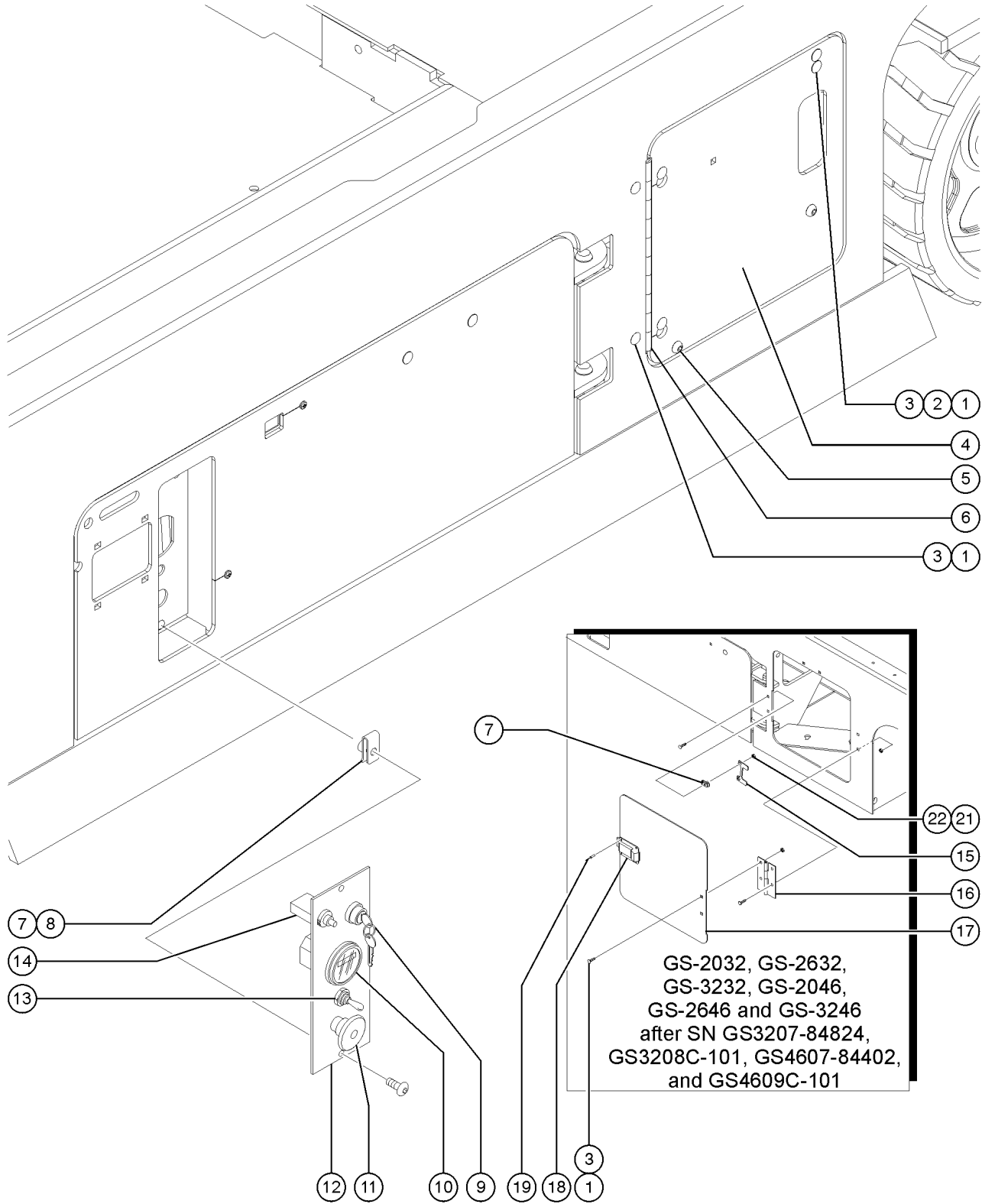
209.2 Power Unit Module (from SN GS3007A-90293, GS-3007B-85536, GS-3008C-101, GS3207-85960, GS3208C-101, GS4607-85668, and GS4609C-101)



209.2 Power Unit Module (from SN GS3007A-90293, GS-3007B-85536, GS-3008C-101, GS3207-85960, GS3208C-101, GS4607-85668, and GS4609C-101)

Item	Part No.	Description	Qty.	Item	Part No.	Description	Qty.
1	115158GT	MODULE TRAY ASSEMBLY W/WORD DECALS.....1 <i>USA, Canada, Australia</i>	1	--	1257840GT	MOTOR CONTROLLER, DC,24V,360A <i>from SN GS30C-18039, GS32C-14378, GS46C-14504; motor controllers sold separately only in cases where upgrade kits are N/A or an upgrade kit has been previously installed</i>	1
1A	115159GT	MODULE TRAY ASSEMBLY W/SYMBOL DECALS.....1 <i>Europe, Asia, South America</i>	1	26A	1257204GT	KIT,GS30/32 MOTOR CONTROLLER....1 <i>from SN GS30C-1 to 18038, GS32C-1 to 14377</i>	1
2	105308GT	FORMING, FILTER-CNTRLR MOUNT....1 <i>ANSI and CE Models</i>	1	26B	1257205GT	KIT,GS46 MOTOR CONTROLLER.....1 <i>from SN GS46C-1 to 14503</i>	1
3	6090GT	SCREW,HHC,1/4-20 X .75		26C	232534GT	KIT,CONTACTOR,GS.....1 <i>from SN GS30C-1 to 18038, GS32C-1 to 14377, GS46C-1 to 14503</i>	1
4	6638GT	WASHER,FLAT,USS,1/4"Y		27	79456GT	BOLT,CARRIAGE,1/4-20 X 1.00,G2	
5	105309GT	FORMING, RELAY MOUNT.....1 <i>CE Models</i>	1				
6	49816GT	SCREW,PHILLIPS,PHM,10-32 X .75					
7	78098GT	RELAY,24VDC,40/30A,SLD W/BRKT*.....1	1				
8	100839GT	ECU,SLAB/GR GEN 5***.....1	1				
--	105288GT	KIT,GEN5 ECU AND MOUNTING***					
--	39520GT	RECEPTACLE,FEMALE,36 CONTACT					
--	39521GT	RECEPTACLE,ANTI-BACKOUT					
--	39673GT	CONTACT,14-20GA.					
--	51577GT	RECEPTACLE,FEMALE 18 CONT.					
--	51578GT	RECEPTACLE ANTIBACKOUT,18 CONT					
9	56912GT	SPRING CLIP,1/4-20,.025-.15X.54,ZAG					
10	55675GT	LATCH, LRG PADDLE HANDLE GS90...1	1				
--	6091GT	NUT,NYLOCK,1/4-20					
--	6878GT	BOLT,CARRIAGE,1/4-20 X .75,G2					
11	66204GT	FILTER CAP (PLUG 1-1/2" NPT HEX....1	1				
12	96355GT	TUBE, ASSY, RETURN.....1	1				
--	96356GT	TUBE, DRAW					
13	226163GT	HYD. TANK KIT, GS30,32,46 <i>includes items 16 and 17</i>					
--	105072GT	KIT,HYD TANK MTG HARDWARE <i>includes items 4, 18, 19 and 20</i>					
--	T109012GT	TANK,HYD, SLAB SCISSORS					
14	78546GT	BREATHER CAP,HYD. TANK,1/4 NPT.....1	1				
15	96354GT	TUBE, ASSY, DRAW.....1	1				
16	96855GT	CLAMP,HOSE,1 EAR,1-1/16***.....2	2				
17	96709GT	GROMMET,SLAB HYD TANK***.....2	2				
18	9116GT	BOLT,CARRIAGE,1/4-20x1.25,G2.....3	3				
19	96699GT	SLEEVE,TANK SUPPORT					
20	6889GT	NUT,LP NYLOCK,1/4-20					
21	6356GT	WASHER,LOCK,,.25					
22		Ref. Filter Assembly <i>refer to figure 501.1</i>					
23	18504GT	NUT,LOCKING-LG.FLANGE,1/4-20					
24	14297GT	SCREW,BHHS,1/4-20 X .75					
25		Ref. Power Unit <i>refer to figure 505.1</i>					

210.1 Ground Controls, All Models

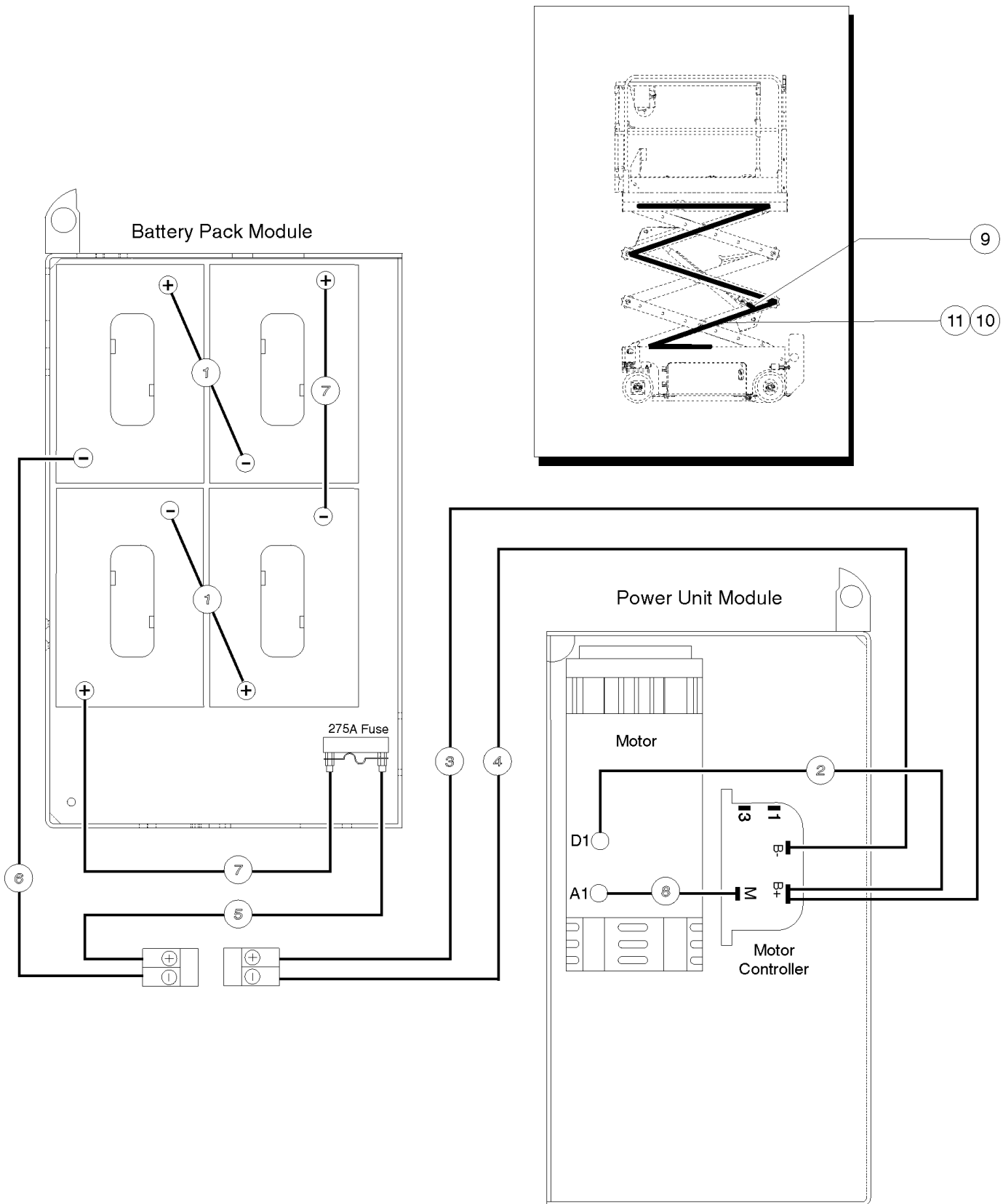


210.1 Ground Controls, All Models

Item	Part No.	Description	Qty.	Item	Part No.	Description	Qty.
1	6878GT	BOLT,CARRIAGE,1/4-20 X .75,G2		16B	105734GT	HINGE,ACCESS DOOR(13G).....1 GS-2032, GS-2632, GS-2046, GS-2646, GS-3232, GS-3246 (from SN GS3208-89823, GS3208C-101, GS4608-89726 and GS4609C-101)	
2		Ref. Rotary Latch Mounting Bracket (refer to 207.1)		17A	105571GT	PLATE,SIDE DOOR***1 GS-2032, GS-2632, GS-2046, GS-2646, GS-3232, GS-3246 (from SN GS3207-84825 to 08-89822, from SN GS4607-84403 to 08-89725)	
3	18504GT	NUT,LOCKING-LG.FLANGE,1/4-20		17B	105732GT	PLATE,SIDE DOOR***1 GS-2032, GS-2632, GS-2046, GS-2646, GS-3232, GS-3246 (from SN GS3208-89823, GS3208C-101, GS4608-89726 and GS4609C-101)	
4	97271GT	MANIFOLD DOOR ASSY, GS46.....1 GS-2032, GS-2632, GS-2046, GS-2646, GS-3246 (to SN GS3207-84824 and GS4607-84402)		18A	71875GT	SPRING CLIP,1/4 TURN,.188PANEL.....1 GS-2032, GS-2632, GS-2046, GS-2646, GS-3232, GS-3246 (from SN GS3207-84825 to 08-89822, from SN GS4607-84403 to 08-89725)	
5	35059GT	SCREW,BHHS,3/8-16 X .75		18A	71876GT	STUD, 1/4 TURN, .35 LONG.....1 GS-2032, GS-2632, GS-2046, GS-2646, GS-3232, GS-3246 (from SN GS3207-84825 to 08-89822, from SN GS4607-84403 to 08-89725)	
6	79136GT	HINGE, ACCESS DOOR GS68.....1 (to SN GS3207-84824 and GS4607-84402)		18A	71877GT	KEEPER, 1/4 TURN FASTENER.....1 GS-2032, GS-2632, GS-2046, GS-2646, GS-3232, GS-3246 (from SN GS3207-84825 to 08-89822, from SN GS4607-84403 to 08-89725)	
7	56912GT	SPRING CLIP,1/4-20,.025-.15X.54,ZAG.....2		18B	105759GT	LATCH,COMPRESSION,SMALL.....1 GS-2032, GS-2632, GS-2046, GS-2646, GS-3232, GS-3246 (from SN GS3208-89823, GS3208C-101, GS4608-89726 and GS4609C-101)	
8	14297GT	SCREW,BHHS,1/4-20 X .75		19	6272GT	RIVET,STL,STL,P,.125 X .25.....2	
9	96008-SGT	KEYSWITCH,3 POS. W/KEYS***1 (includes 1 pair of keys)		21	18504GT	NUT,LOCKING-LG.FLANGE,1/4-20	
--	37947GT	KEYS,10 PACK***		21A	6889GT	NUT,LP NYLOCK,1/4-20 GS-3232	
--	83093GT	KEY SINGLE***		22	6878GT	BOLT,CARRIAGE,1/4-20 X .75,G2	
--	85239GT	NUT,RETAINER (96008)		22A	43137GT	SCREW,PHM,1/4-20 X .75 GS-3232	
--	96010GT	SCREW,PHILLIPS,PHM,8-32 X.25** (includes tooth washer)					
10	19506GT	HOUR METER,10-80 VOLTS***1 (includes mounting bracket)					
--	105672GT	BRACKET,MOUNTING,HR METER					
11	66812GT	BUTTON,PUSH,RED MUSHROOM HEAD.....1					
--	66817GT	BASE WITH 1 NC CONTACT, E-STOP (includes 1 each N.C. contact)					
--	66818GT	CONTACT, N.C.					
12	84390GT	GRND CNTRL PANEL ASSY,2003MINI.....1					
13	T114691GT	ASSY,SWITCH,TOGGLE,SPDT*****1 (direct replacement for 96418)					
14	96452GT	CIRCUIT BREAKER,7.0 AMP***1					
14A	65818GT	WASHER,LOCK,INTERNAL TOOTH,3/8.....1					
15A	105572GT	PLATE,SIDE DOOR STOP***1 GS-2032, GS-2632, GS-2046, GS-2646, GS-3232, GS-3246 (from SN GS3207-84825 to 08-89822, from SN GS4607-84403 to 08-89725)					
15B	105733GT	PLATE,SIDE DOOR STOP***1 GS-2032, GS-2632, GS-2046, GS-2646, GS-3232, GS-3246 (from SN GS3208-89823, GS3208C-101, GS4608-89726 and GS4609C-101)					
16A	105573GT	HINGE,ACCESS DOOR***1 GS-2032, GS-2632, GS-2046, GS-2646, GS-3232, GS-3246 (from SN GS3207-84825 to 08-89822, from SN GS4607-84403 to 08-89725)					



211.1 Electrical Wiring and Power Cables (models without contactor)



211.1 Electrical Wiring and Power Cables (models without contactor)

Item	Part No.	Description	Qty.	Item	Part No.	Description	Qty.
--	105214GT	CABLE TIE MOUNT, WINGED (not shown)		--	105992GT	HORN HARNESS (option)	
--	56926GT	CLIP,TIE HARNESS MOUNT*** (not shown)		--	51075GT	HARNESS,BEACON OPTION,SLAB GS-XX30	
--	59626GT	CLIP,TIE HARNESS MOUNT*** (not shown)		--	96459GT	HARNESS ASSEMBLY, INVERTER GS-1932, GS-2032, GS-2046, GS-2646, GS-3246	
--	96522GT	STD CONTROL HARNESS, SLAB (ANSI, CSA and Australia models) (includes wire harnesses 96489, 96387, 96344 and 105321)		--	105125GT	CABLE ASSY, INVERTER (option)	
--	96440GT	CE CONTROL HARNESS, SLAB (CE models) (includes wire harnesses 96489, 96819, 96520, 105320 and 47124)		--	96502GT	ASSY,PRESS SW HARNESS (CE Models)	
--	96344GT	HARNESS ASSY, MAIN (ANSI, CSA and Australia Models)		--	96820GT	ASSY,RELAY HARNESS ANSI, CSA and Australia Models (to SNs GS3005A-79061, GS3005B-77035, GS3205-77044 and GS4605-76544)	
--	96520GT	ASSY,MAIN HARNESS,CE (CE Models)		--	105321GT	ASSY,RELAY HARNESS ANSI, CSA and Australia Models (from SNs GS3005A-79062, GS3005B-77036, GS3008C-101, GS3205-77045, GS3208C-101, GS4605-76545, GS4609C-101)	
--	96308GT	ASSY,LEVEL SENS HARNESS (ANSI, CSA and Australia Models)		--	56302GT	RELAY,24VDC,40/30A,SEALED*** (ANSI and CSA Models)	
--	96521GT	ASSY,LEVEL SENS HARNESS,CE (CE Models)		--	96429GT	ASSY, RELAY HARNESS, CE CE Models (to SNs GS3005A-79061, GS3005B-77035, GS3205-77044 and GS4605-76544)	
--	96489GT	WIRE ASSY,ECU TO CHASSIS,GS30		--	105320GT	ASSY,RELAY HARNESS,CE CE Models (from SNs GS3005A-79062, GS3005B-77036, GS3008C-101, GS3205-77045, GS3208C-101, GS4605-76545, GS4609C-101)	
--	105328GT	KIT,FEMALE PLUG, DTM (repair kit)		--	56302GT	RELAY,24VDC,40/30A,SEALED*** (CE Models)	
--	96387GT	ASSY,MOTOR CONTROL HARNESS (ANSI, CSA and Australia Models)		--	105664GT	ASSY,22 FT LIMIT SWITCH,GS3232	
--	96819GT	ASSY,MOTOR CONTRL HARN,CE (CE Models)		--	109916GT	WIRE ASSY,OR SYS GS-3232	
--	96309GT	ASSY,POTHOLE HARNESS,GS GS-30		--	99089GT	CAPACITOR,4700MFD 25V (CE Models)	
--	96853GT	ASSY,POTHOLE HARNESS GS32/GS46 GS-2032, GS-2632, GS-3232, GS-2046, GS-2646, GS-3246		--	40833GT	FUSE,275 AMP,VERY FAST ACTING	
--	105301GT	ASSY,UP LIMIT SW HARNESS,MINI GS-30 (to SNs GS3005A-80887, GS3005B-78124)		--	47124GT	INDUCTOR,47 MH,2.5AMP,.034OHM (CE models only) (ECU Harness)	
--	105386GT	ASSY,UP LIMIT SW HARNESS,MINI GS-30 (to SNs GS3005A-80887 and GS3005B-78124)		--	87745GT	CONN,RECEP 12 WAY BLK,1 BUSS (12 pin ground buss, wire harness)	
--	105386GT	ASSY,UP LIMIT SW HARNESS,MINI GS-30 (from SNs GS3005A-80888, GS3005B-78125, GS3008C-101)		1	96304GT	CABLE ASSY,BATT,5.50"RED.....2	
--	105322GT	ASSY,UP-LIMIT SW HARNESS GS-2032, GS-2632, GS-2046, GS-2646, GS-3246 (CE Models)		2	96302GT	CABLE ASSY,BATT, 7.50" RED.....1	
--	105576GT	ASSY,UP-LIMIT SW HARNESS GS-2032, GS-2632, GS-3232, GS-2046, GS-2646, GS-3246; CE Models (from SNs GS3206-84825, GS3208C-101, GS4606-84403, and GS4609C-101)		3	96298GT	CABLE ASSY.BATT.75".AND.RED.....1 GS-30, GS-32	
--	47662GT	HARNESS,ALARM ACCESSORY (option)		3	96946GT	CABLE ASSY.BATT.90".AND.RED.....1 GS-46	
				4	96299GT	CABLE ASSY.BATT.75".AND.BLK.....1 GS-30, GS-32	

211.1 Electrical Wiring and Power Cables (models without contactor)

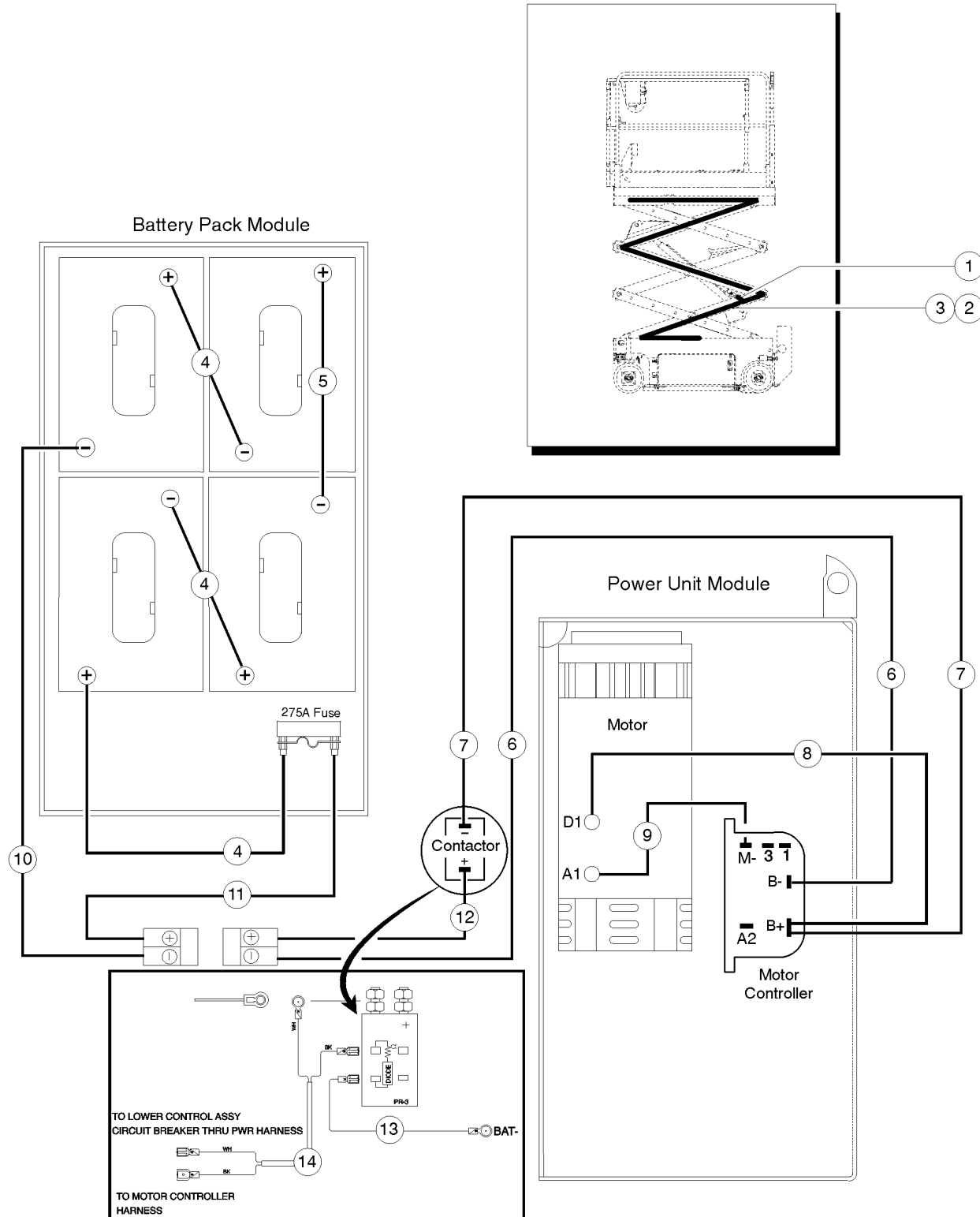
(continued)

Item	Part No.	Description	Qty.	Item	Part No.	Description	Qty.
4	96947GT	CABLE ASSY,BATT,90".AND.BLK.....1 GS-46	1	--	43956GT	WIRE CABLE,14/3 CON.TPE JKT*396-inches GS-19XX	
5	96300GT	CABLE ASSY,BATT,7.50",AND. RED.....1	1	--	43956GT	WIRE CABLE,14/3 CON.TPE JKT*420-inches GS20XX	
6	105071GT	CABLE ASSY, BATT,19"AND.BLK.....1	1	--	43956GT	WIRE CABLE,14/3 CON.TPE JKT*540-inches GS-26XX	
7	96306GT	CABLE ASSY,BATT,9.50"RED.....2	2	--	43956GT	WIRE CABLE,14/3 CON.TPE JKT*524-inches GS-3232	
8	96303GT	CABLE ASSY,BATT, 7.50" BLACK.....1	1	--	43956GT	WIRE CABLE,14/3 CON.TPE JKT*636-inches GS-3246	
9	96307GT	HRNS,LIFT CYL DOWN,MINI,CE.....1 GS-30 (CE Models)	1				
9A	96852GT	HRNS,LIFT CYL DOWN,20/26XX,CE GS-2032, GS-2632, GS-3232, GS-2046, GS-2646 (compatible with ANSI models, as well)					
9B	96856GT	HRNS,LIFT CYL DOWN,32XX,CE (CE Models)					
10	96471GT	WIRE ASSEMBLY,PLAT/CHASS,15XX.....1	1				
--	105328GT	KIT,FEMALE PLUG, DTM (repair kit)					
--	105329GT	KIT, MALE RECEPTACLE, DTM (repair kit)					
10A	96473GT	WIRE ASSEMBLY,PLAT/CHASS,19XX					
--	105328GT	KIT,FEMALE PLUG, DTM (repair kit)					
--	105329GT	KIT, MALE RECEPTACLE, DTM (repair kit)					
10B	96474GT	WIRE ASSEMBLY,PLAT/CHASS, 20XX					
--	105328GT	KIT,FEMALE PLUG, DTM (repair kit)					
--	105329GT	KIT, MALE RECEPTACLE, DTM (repair kit)					
10C	96475GT	WIRE ASSEMBLY,PLAT/CHASS, 26XX (platform to chassis)					
--	105328GT	KIT,FEMALE PLUG, DTM (repair kit)					
--	105329GT	KIT, MALE RECEPTACLE, DTM (repair kit)					
10D	105641GT	WIRE ASSY,O/R,PLAT TO CHASSIS,3232 (outrigger controls from platform to ground controls)					
--	96476GT	WIRE ASSEMBLY,PLAT/CHASS, 32XX (machine controller from platform to ground controls)					
10E	96476GT	WIRE ASSEMBLY,PLAT/CHASS, 32XX					
--	105328GT	KIT,FEMALE PLUG, DTM (repair kit)					
--	105329GT	KIT, MALE RECEPTACLE, DTM (repair kit)					
11	43956GT	WIRE CABLE,14/3 CON.TPE JKT*324-inches GS-15XX					

211.1 Electrical Wiring and Power Cables (models without contactor)
(continued)

This Page Intentionally Left Blank

211.2 Electrical Wiring and Power Cables (models with contactor)



211.2 Electrical Wiring and Power Cables (models with contactor)

Item	Part No.	Description	Qty.	Item	Part No.	Description	Qty.
--	105214GT	CABLE TIE MOUNT, WINGED <i>not shown</i>		--	96502GT	ASSY,PRESS SW HARNESS <i>CE Models</i>	
--	56926GT	CLIP,TIE HARNESS MOUNT*** <i>not shown</i>		--	96820GT	ASSY,RELAY HARNESS <i>ANSI, CSA and Australia Models (to SNs GS3005A-79061, GS3005B-77035, GS3205-77044 and GS4605-76544)</i>	
--	96522GT	STD CONTROL HARNESS, SLAB <i>(ANSI, CSA and Australia models)</i> <i>(includes wire harnesses 96489, 96387, 96344 and 105321)</i>		--	105321GT	ASSY,RELAY HARNESS <i>ANSI, CSA and Australia Models (from SNs GS3005A-79062, GS3005B-77036, GS3008C-101, GS3205-77045, GS3208C-101, GS4605-76545, GS4609C-101)</i>	
--	96440GT	CE CONTROL HARNESS, SLAB <i>(CE models) (includes wire harnesses 96489, 96819, 96520, 105320 and 47124)</i>		--	78098GT	RELAY,24VDC,40/30A,SLD W/BRKT* <i>ANSI and CSA Models</i>	
--	96344GT	HARNESS ASSY, MAIN <i>ANSI, CSA and Australia Models</i>		--	96429GT	ASSY, RELAY HARNESS, CE <i>CE Models (to SNs GS3005A-79061, GS3005B-77035, GS3205-77044 and GS4605-76544)</i>	
--	96520GT	ASSY,MAIN HARNESS,CE <i>CE Models</i>		--	105320GT	ASSY,RELAY HARNESS,CE <i>CE Models (from SNs GS3005A-79062, GS3005B-77036, GS3008C-101, GS3205-77045, GS3208C-101, GS4605-76545, GS4609C-101)</i>	
--	96308GT	ASSY,LEVEL SENS HARNESS <i>ANSI, CSA and Australia Models</i>		--	78098GT	RELAY,24VDC,40/30A,SLD W/BRKT* <i>CE Models</i>	
--	96521GT	ASSY,LEVEL SENS HARNESS,CE <i>CE Models</i>		--	105664GT	ASSY,22 FT LIMIT SWITCH,GS3232	
--	96489GT	WIRE ASSY,ECU TO CHASSIS,GS30		--	109916GT	WIRE ASSY,OR SYS GS-3232	
--	105328GT	KIT,FEMALE PLUG, DTM <i>repair kit</i>		--	99089GT	CAPACITOR,4700MFD 25V <i>CE Models</i>	
--	233439GT	ASSY,MOTOR CONTROL HARNESS <i>ANSI, CSA and Australia Models</i>		--	40833GT	FUSE,275 AMP,VERY FAST ACTING	
--	233438GT	ASSY,MOTOR CONTROL HARNESS,CE <i>CE Models</i>		--	47124GT	INDUCTOR,47 MH,2.5AMP,.034OHM <i>CE models only) (ECU Harness</i>	
--	96309GT	ASSY,POTHOLE HARNESS,GS GS-30		--	87745GT	CONN,RECEP 12 WAY BLK,1 BUSS <i>12-pin ground buss, wire harness</i>	
--	96853GT	ASSY,POTHOLE HARNESS GS32/GS46 GS-32, GS-46		--	T110890GT	HARNESS, GS POWER CONTRL <i>(Grey connector)</i>	
--	105301GT	ASSY,UP LIMIT SW HARNESS,MINI <i>to SNs GS3005A-80887 and GS3005B-78124</i>		--	228786GT	HARNESS, GS SENSORS, ANSI <i>(Green connector)</i>	
--	105386GT	ASSY,UP LIMIT SW HARNESS,MINI GS-30		--	T110891GT	HARNESS, GS SENSORS, CE <i>(Green connector)</i>	
--	105322GT	ASSY,UP-LIMIT SW HARNESS GS-2032, GS-2632, GS-46		--	233440GT	O/R SYSTEM HARNESS, CE	
--	105576GT	ASSY,UP-LIMIT SW HARNESS GS-2032, GS-2632, GS-3232, GS-2046, GS-2646, GS-3246; <i>CE Models (from SNs GS3206-84825, GS3208C-101, GS4606-84403, and GS4609C-101)</i>		--	233711GT	HRNS ASSY,RESISTOR DIODE	
--	47662GT	HARNESS,ALARM ACCESSORY <i>option</i>		--	233785GT	HARNESS, BEACON RESISTOR KIT,	
--	105992GT	HORN HARNESS <i>option</i>		--	233782GT	HRNS ASSY,RESISTOR,200 OHM	
--	51075GT	HARNESS,BEACON OPTION,SLAB GS-XX30		--	T110890GT	HARNESS, GS POWER CONTRL <i>(Grey connector)</i>	
--	96459GT	HARNESS ASSEMBLY, INVERTER GS-1932, GS-2032, GS-2046, GS-2646, GS-3246		1A	96307GT	HRNS,LIFT CYL DOWN,MINI,CE.....1 GS-30 <i>(CE Models)</i>	
--	105125GT	CABLE ASSY, INVERTER <i>option</i>		1B	96852GT	HRNS,LIFT CYL DOWN,20/26XX,CE GS-32, GS-2046, GS-2646 <i>(compatible with ANSI models, as well)</i>	

211.2 Electrical Wiring and Power Cables (models with contactor)
(continued)

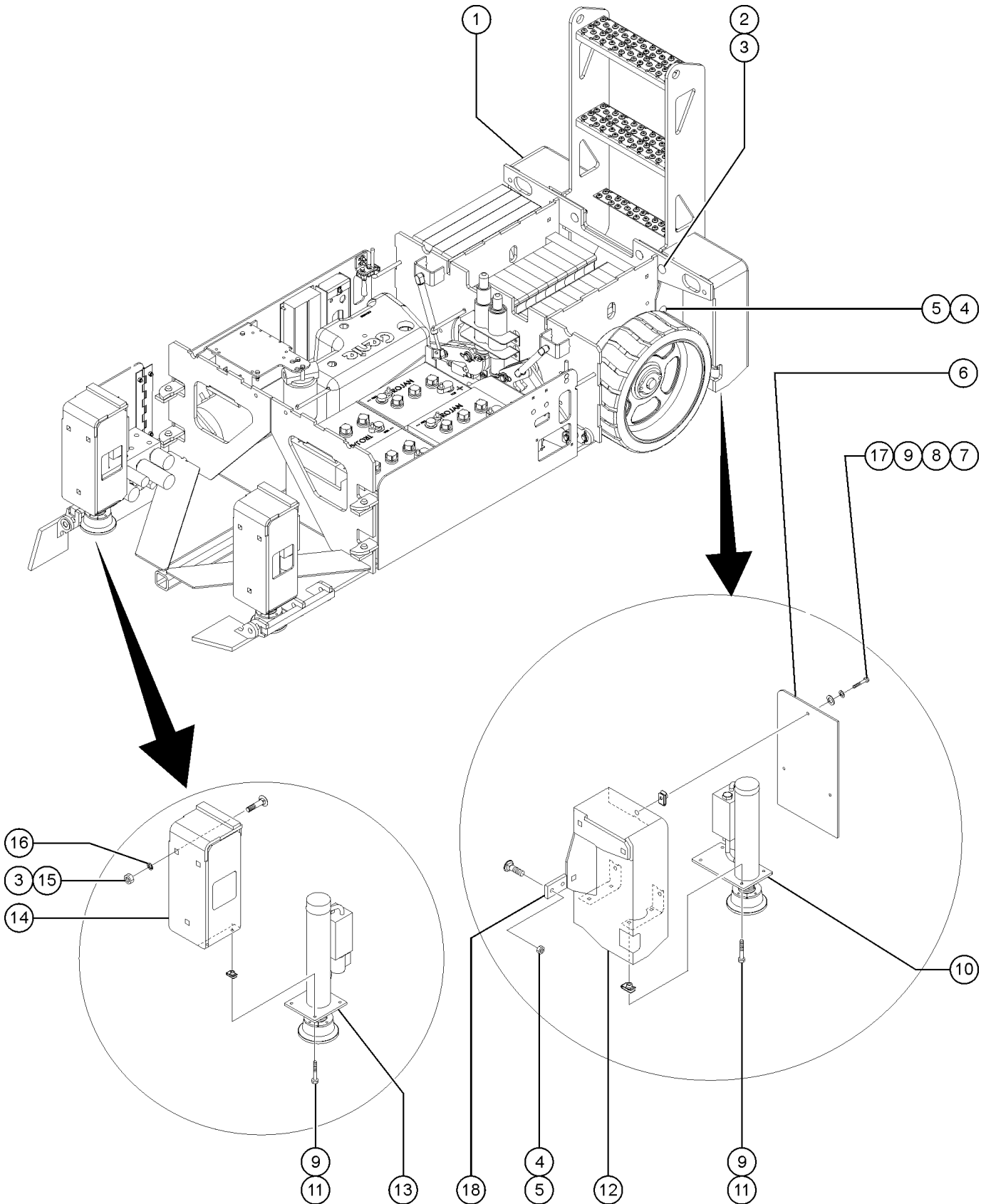
Item	Part No.	Description	Qty.	Item	Part No.	Description	Qty.
1C	96856GT	HRNS,LIFT CYL DOWN,32XX,CE (CE Models)		6B	96947GT	CABLE ASSY.BATT.90".AND.BLK GS-46	
2A	96471GT	WIRE ASSEMBLY,PLAT/CHASS,15XX.....1		6C	1257058GT	CABLE ASSY., BATT. 79" BLACK for GS-30 & GS-32 with kit 1257204 installed	
--	105328GT	KIT,FEMALE PLUG, DTM repair kit		6D	1257056GT	CABLE ASSY., BATT. 93" BLACK for GS-46 with kit 1257205 installed	
--	105329GT	KIT, MALE RECEPTACLE, DTM repair kit		7A	233368GT	CABLE ASSY, BATT,69" RED GS-30, GS-32	
2B	96473GT	WIRE ASSEMBLY,PLAT/CHASS,19XX		7B	233370GT	CABLE ASSY,BATT,83"RED GS-46	
--	105328GT	KIT,FEMALE PLUG, DTM (repair kit)		7C	1257059GT	CABLE ASSY., BATT. 75" RED for GS-30 & GS-32 with kit 1257204 installed	
--	105329GT	KIT, MALE RECEPTACLE, DTM (repair kit)		7D	1257057GT	CABLE ASSY., BATT. 88.5" RED for GS-46 with kit 1257205 installed	
2C	96474GT	WIRE ASSEMBLY,PLAT/CHASS, 20XX		8A	96302GT	CABLE ASSY,BATT, 7.50" RED.....1	
--	105328GT	KIT,FEMALE PLUG, DTM repair kit		8B	1257054GT	CABLE ASSY., BATT. 14" RED.....1 for machines with kits 1257204 or 1257205 installed	
--	105329GT	KIT, MALE RECEPTACLE, DTM repair kit		9A	96303GT	CABLE ASSY,BATT, 7.50" BLACK.....1	
2D	96475GT	WIRE ASSEMBLY,PLAT/CHASS, 26XX platform to chassis		9B	1257055GT	CABLE ASSY., BATT. 12" BLACK.....1 for machines with kits 1257204 or 1257205 installed	
--	105328GT	KIT,FEMALE PLUG, DTM (repair kit)		10	232578GT	CABLE ASSY,BATT, 20" BLK.....1	
--	105329GT	KIT, MALE RECEPTACLE, DTM (repair kit)		11	232576GT	CABLE ASSY,BATT, 12" RED.....1	
2E	105641GT	WIRE ASSY,O/R,PLAT TO CHASSIS,3232		12	233371GT	CABLE ASSY,BATT,23"RED	
2F	96476GT	WIRE ASSEMBLY,PLAT/CHASS, 32XX		13	232582GT	GROUND WIRE ASSY,GS	
--	105328GT	KIT,FEMALE PLUG, DTM (repair kit)		14A	233431GT	HRNS,CONTACTOR SIGNL,GS30/32	
--	105329GT	KIT, MALE RECEPTACLE, DTM (repair kit)		14B	233430GT	HRNS,CONTACTOR SIGNAL,GS46	
3A	43956GT	WIRE CABLE,14/3 CON.TPE JKT*.....324-inches GS-15XX		15A	1261335GT	KIT,BATT. CABLE ASSY.,GS30/32.....1 for GS-30 & GS-32 with kit 1257204 installed	
3B	43956GT	WIRE CABLE,14/3 CON.TPE JKT*.....396-inches GS-19XX		15B	1261334GT	KIT,BATT. CABLE ASSY.,GS46.....1 for GS-46 with kit 1257205 installed	
3C	43956GT	WIRE CABLE,14/3 CON.TPE JKT*.....420-inches GS-20XX					
3D	43956GT	WIRE CABLE,14/3 CON.TPE JKT*.....540-inches GS-26XX					
3E	43956GT	WIRE CABLE,14/3 CON.TPE JKT*.....524-inches GS-3232					
3F	43956GT	WIRE CABLE,14/3 CON.TPE JKT*.....636-inches GS-3246					
4	96304GT	CABLE ASSY,BATT,5.50"RED.....2					
5	96306GT	CABLE ASSY,BATT,9.50"RED.....2					
6A	96299GT	CABLE ASSY.BATT.75".AND.BLK.....1 GS-30, GS-32					



211.2 Electrical Wiring and Power Cables (models with contactor)
(continued)

This Page Intentionally Left Blank

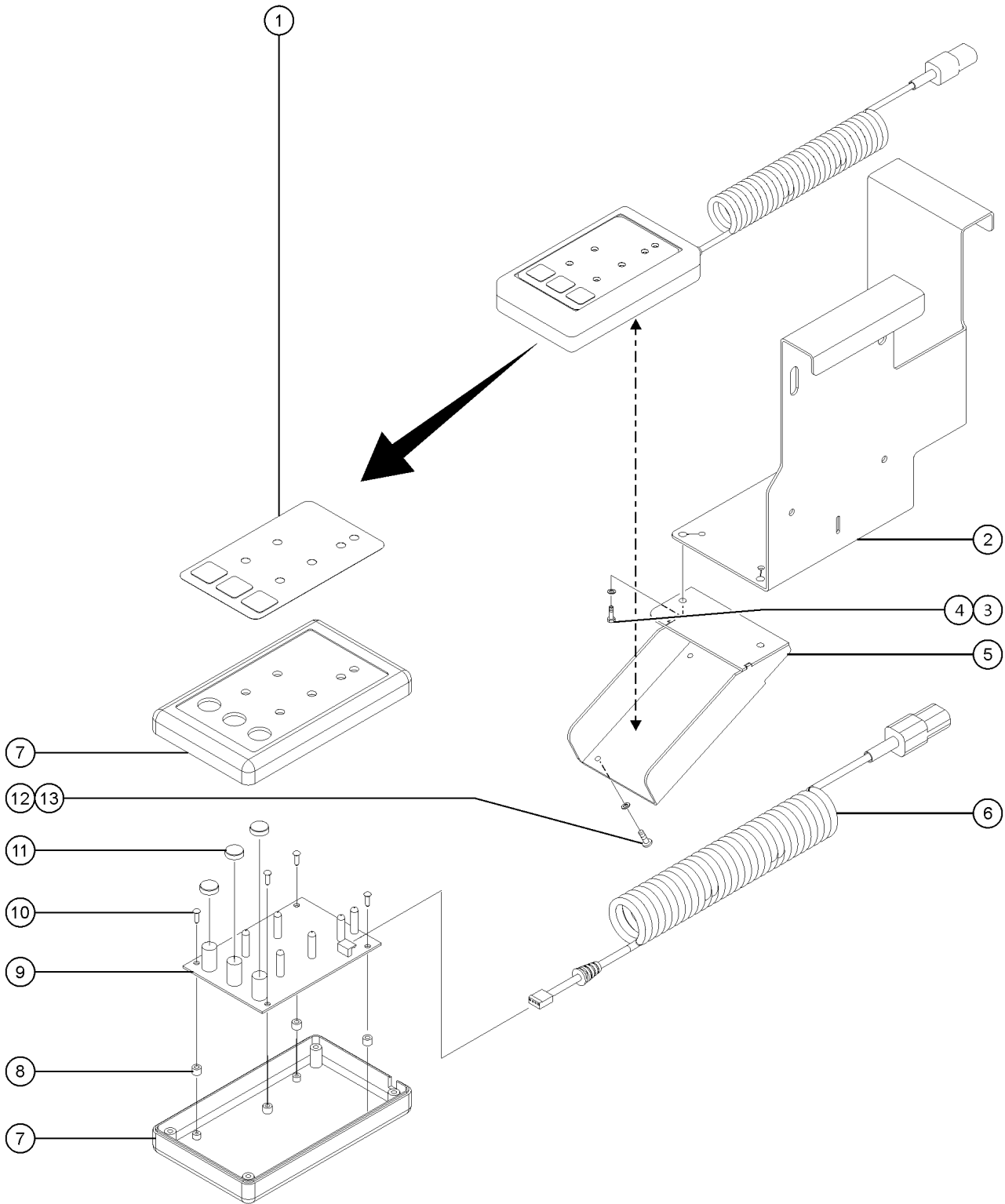
212.1 Outrigger Components, GS-3232



212.1 Outrigger Components, GS-3232

Item	Part No.	Description	Qty.
1	109735GT	WLDMT, OUTRIGGER, RR.....1 (ground controls side)	1
2	105688GT	BOLT,CARRIAGE,1/2X2.00,G5	
3	6198GT	NUT,NYLOCK,1/2-13	
4	60790GT	BOLT, CARRIAGE, 3/8-16 X 1.50, G5 (to SN GS3207-88752)	
4A	105092GT	BOLT,CARRIAGE,3/8-16X1.25,GR5 (from SN GS3207-88753)	
5	4828GT	NUT,NYLOCK,3/8-16	
6	109745GT	PLATE,REAR COVER.....2	2
7	6888GT	SCREW,HHC,1/4-20 X 1	
8	56912GT	SPRING CLIP,1/4-20,.025-.15X.54,ZAG (to SN GS3207-88752)	
9	6356GT	WASHER,LOCK,.25	
10		Ref. Outrigger Cylinder, Rear (refer to 510.1)	
11	105388GT	SCREW,HHC,1/4-20 X 1 W/PATCH	
12	109737GT	WLDMT, OUTRIGGER, LR.....1 (battery pack side)	1
13		Ref. Outrigger Cylinder, Front (refer to 510.1)	
14	109749GT	WLDMT, OUTRIGGER, FRONT.....2	2
15	96203GT	BOLT,CARRIAGE,1/2-13X1.75, G5	
16	105634GT	PUSH RETAINER, 1/2" SCREW	
17	6638GT	WASHER,FLAT,USS,1/4"Y	
18	105758GT	PLATE, SHEAR, OUTRIGGER (from SN GS3207-88753)	

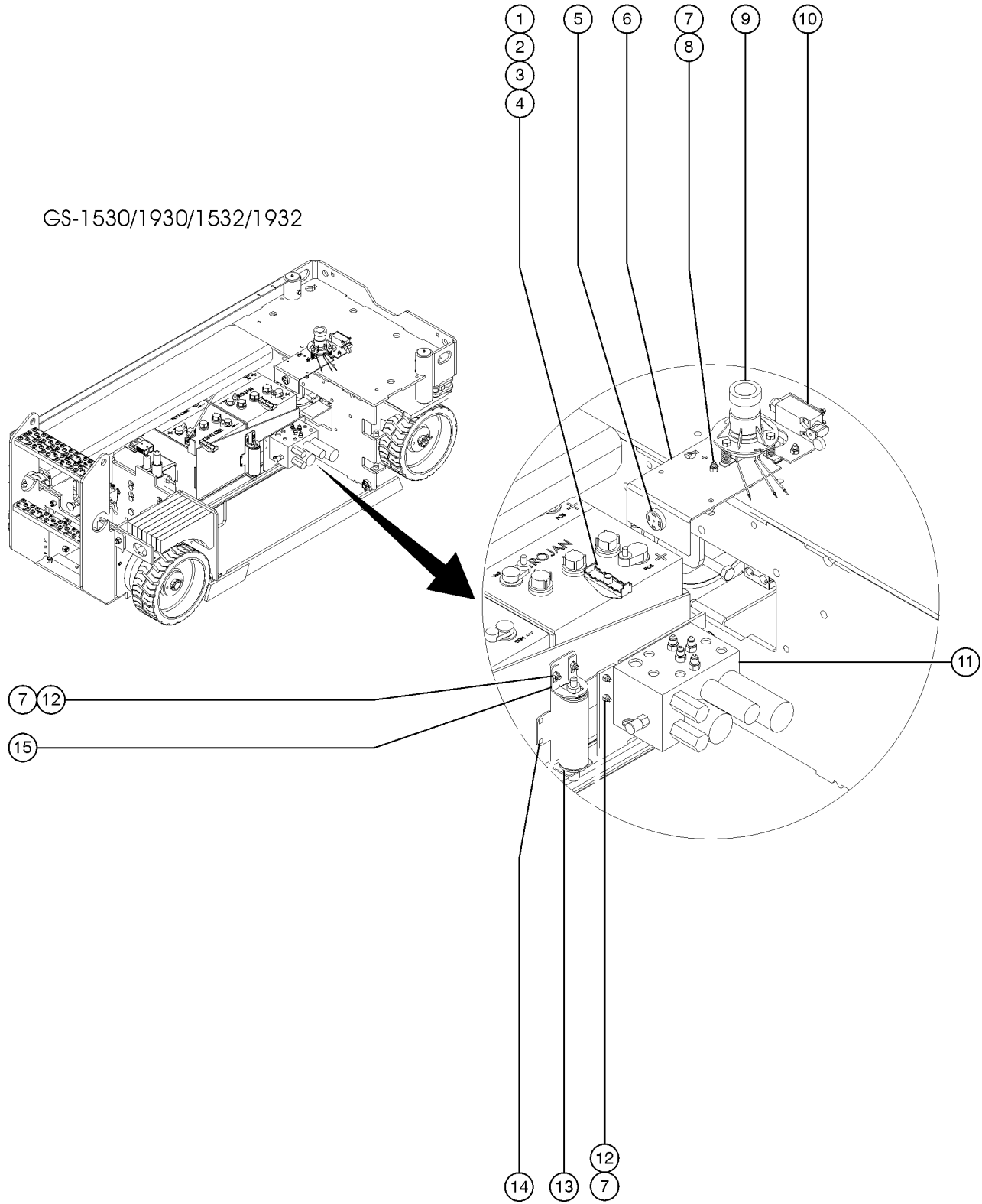
213.1 Outrigger Control Box, GS-3232



213.1 Outrigger Control Box, GS-3232

Item	Part No.	Description	Qty.
--	105627GT	PCON,O/R CONTROLS,GS3232 (includes fasteners; includes items 1 and 6-11)	
1	114136GT	OVERLAY,O/R PCON,GS3232.....	1
2		Ref. Platform Control Mount (refer to 406.1)	
3	6090GT	SCREW,HHC,1/4-20 X .75	
4	6356GT	WASHER,LOCK,.25	
5	105616GT	WELDMENT,CONTROLLER BRACKET.....	1
6	105618GT	WIRE ASSY,CONTROLLER CABLE.....	1
7	109958GT	ENCLOSURE,AUTO LEVEL CONTROLLER.....	1
8	105625GT	SPACER,NY.12IDX.25ODX.188.....	4
9	105712GT	PCBA,O/R PCON,GS3232..... (kit, includes 105370 and 125321)	1
--	105370GT	PCBA,GP03-06,PATRON1	
10	105626GT	SCREW,SHEETMETAL#4X.38	
11	105662GT	CLEAR SWITCH ACTUATOR.....	3
12	115286GT	PLASTITE SCREW 4 X 6.....	4
13	49412GT	WASHER,FLAT,M4.....	4

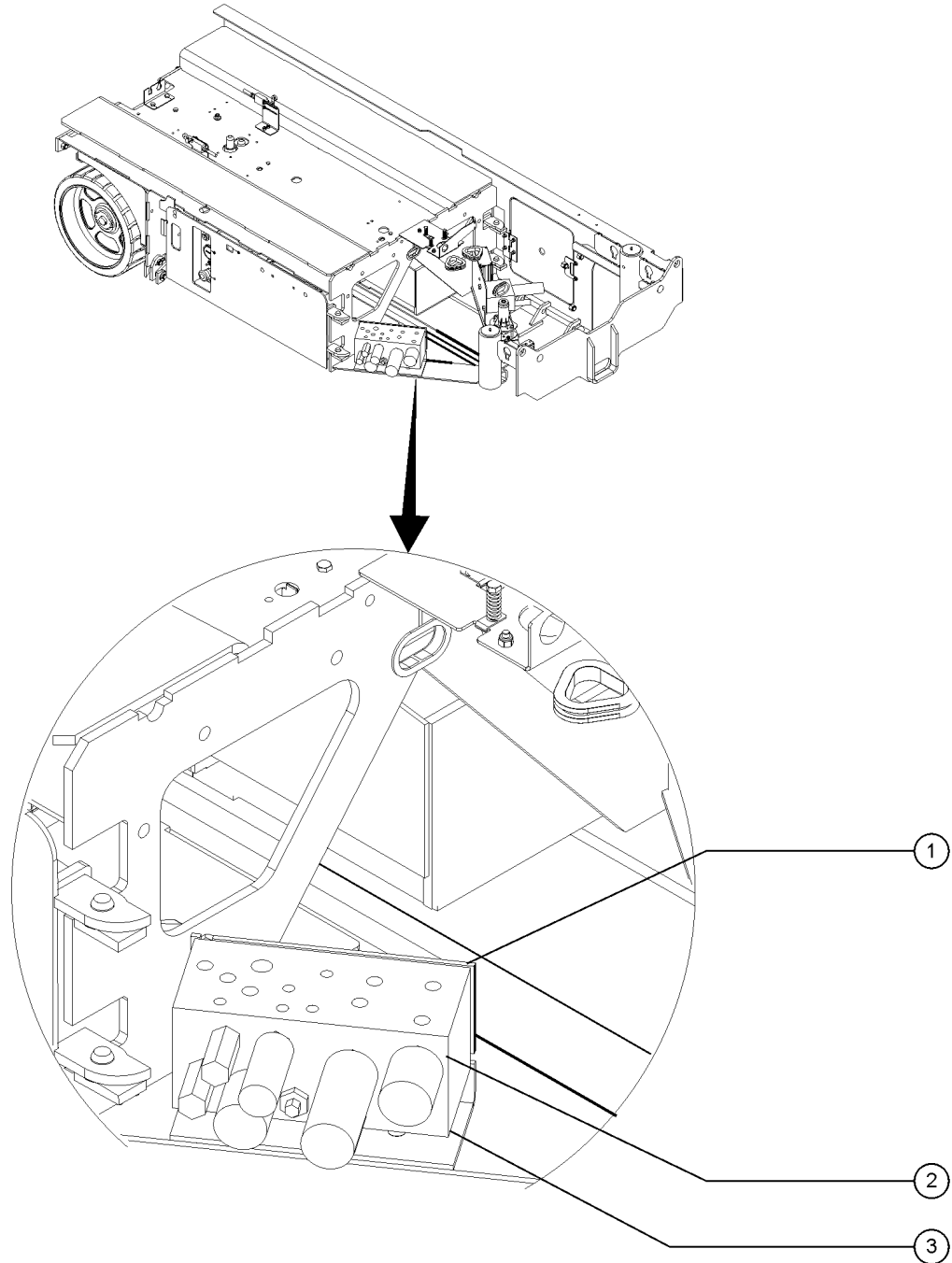
214.1 Function Manifold and Accumulator Components, GS-1530, GS-1532, GS-1930, GS-1932



214.1 Function Manifold and Accumulator Components, GS-1530, GS-1532, GS-1930, GS-1932

Item	Part No.	Description	Qty.
1	105209GT	CLAMP,CABLE & HOSE.....	2
2	6145GT	SCREW,HHC,1/4-20 X 1.5	
3	6638GT	WASHER,FLAT,USS,1/4"Y	
4	18504GT	NUT,LOCKING-LG.FLANGE,1/4-20	
5		Ref. Alarm, Steady Tone (refer to 204.1)	
6		Ref. Alarm Bracket (refer to 204.1)	
7	6091GT	NUT,NYLOCK,1/4-20	
8	79456GT	BOLT,CARRIAGE,1/4-20 X 1.00,G2	
9		Ref. Level Sensor (refer to 204.1)	
10		Ref. Limit Switch with Roller (refer to 204.1)	
11		Ref. Function Manifold (refer to 502.1)	
12	9116GT	BOLT,CARRIAGE,1/4-20x1.25,G2	
13	78422GT	ACCUMULATOR,180 PSI PRECHARGE*	
14	105210GT	FORMING, ACCUMULATOR BRACKET.....	1
		(from SNs GS3005A-79066, GS3005B-76766 and GS3008C-101)	
15	105211GT	FORMING, ACCUMULATOR CLAMP.....	1
		(from SNs GS3005A-79066, GS3005B-76766 and GS3008C-101)	

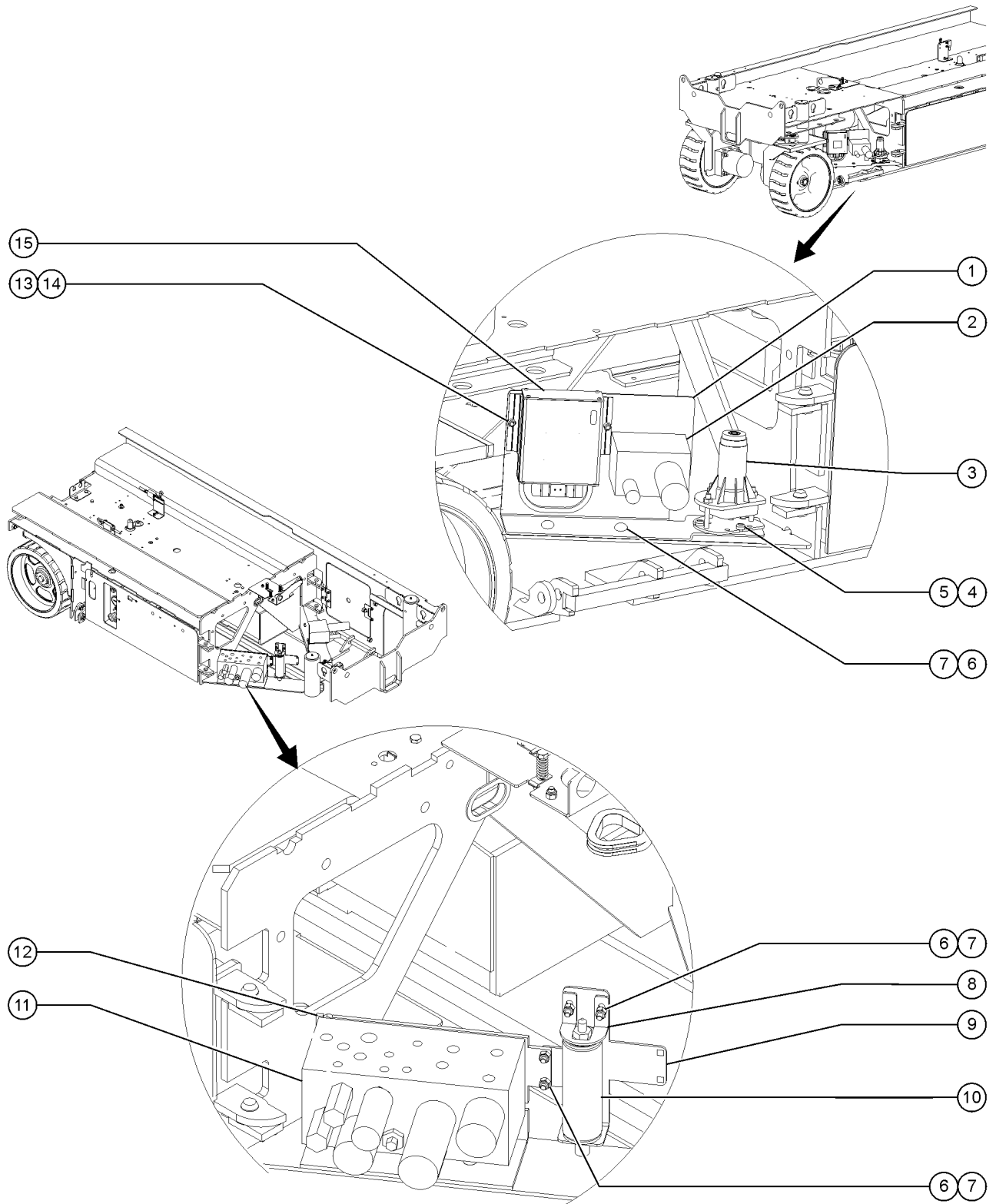
214.2 Function Manifold and Accumulator Components, GS-2032, GS-2632, GS-2046, GS-2646, GS-3246



214.2 Function Manifold and Accumulator Components, GS-2032, GS-2632, GS-2046,
GS-2646, GS-3246

Item	Part No.	Description	Qty.
1	105574GT	FORMING,MANIFOLD MOUNT	
2		Ref. Function Manifold <i>(refer to 503.1)</i>	
3	78422GT	ACCUMULATOR,180 PSI PRECHARGE* <i>(hidden from view)</i>	

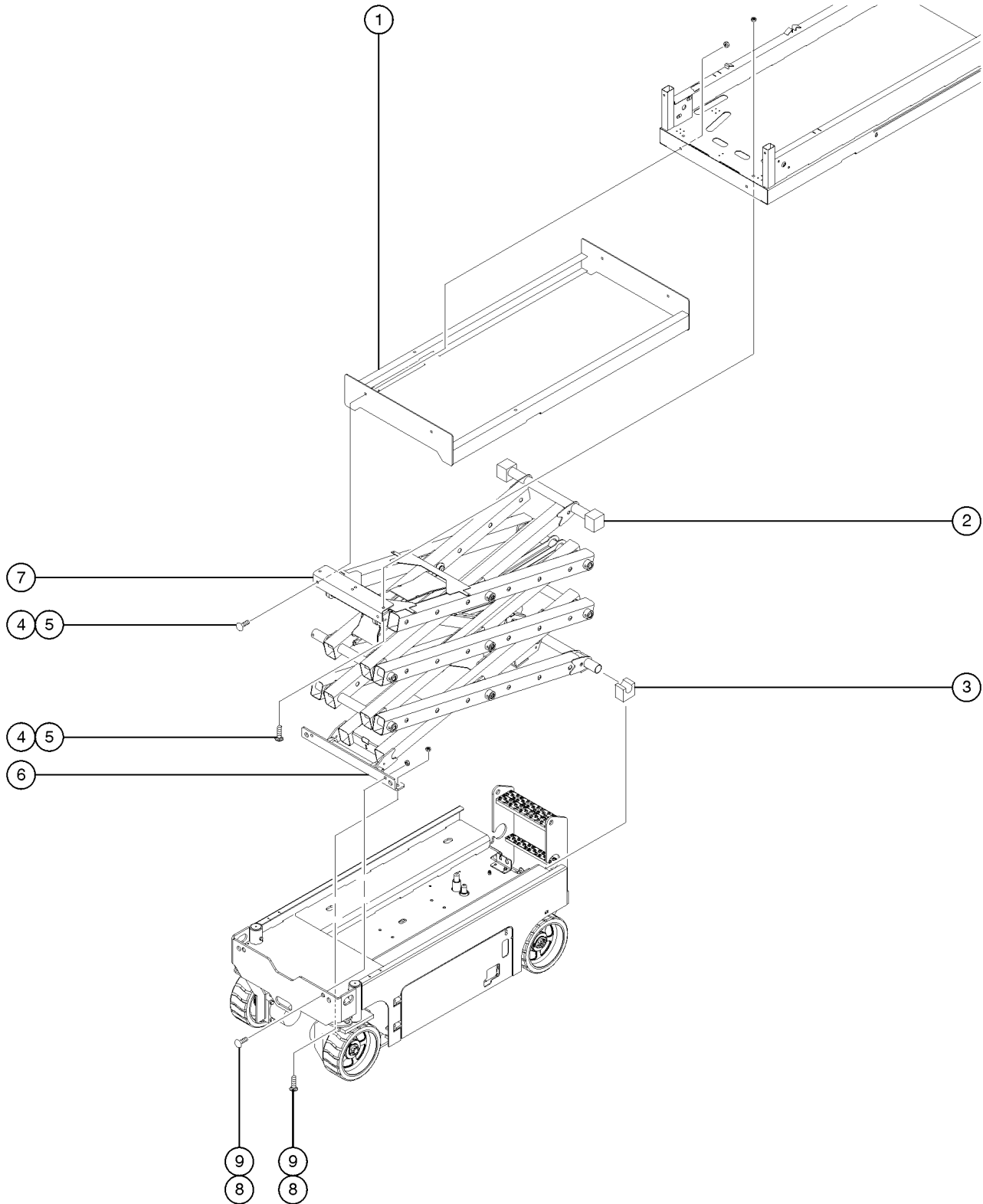
214.3 Function Manifold and Accumulator Components, GS-3232



214.3 Function Manifold and Accumulator Components, GS-3232

Item	Part No.	Description	Qty.
1	105805GT	FORMING,COMPONENT BRKT,GS3232 (from SN 92733) (shown)	
1A	105643GT	FORMING,COMPONENT BRKT, GS3232 (to SN 92732)	
2		Ref. Outrigger Manifold (refer to 511.1)	
3	71484GT	SENSOR,LEVEL, ANALOG	
4	6889GT	NUT,LP NYLOCK,1/4-20	
5	80149GT	BOLT,CARRIAGE,1/4-20 X .5,G2	
6	6878GT	BOLT,CARRIAGE,1/4-20 X .75,G2	
7	6091GT	NUT,NYLOCK,1/4-20	
8	105211GT	FORMING, ACCUMULATOR CLAMP	
9	105210GT	FORMING, ACCUMULATOR BRACKET	
10	78422GT	ACCUMULATOR,180 PSI PRECHARGE*	
11		Ref. Function Manifold (refer to 503.1)	
12	105644GT	FORMING,MANIFOLD BRKT, GS3232	
13	5365GT	NUT,NYLOCK,10-24	
14	71874GT	BOLT,CARRIAGE,#10-24X.50,G2	
15	109954GT	ECU,O/R CONTROLS,GS3232	

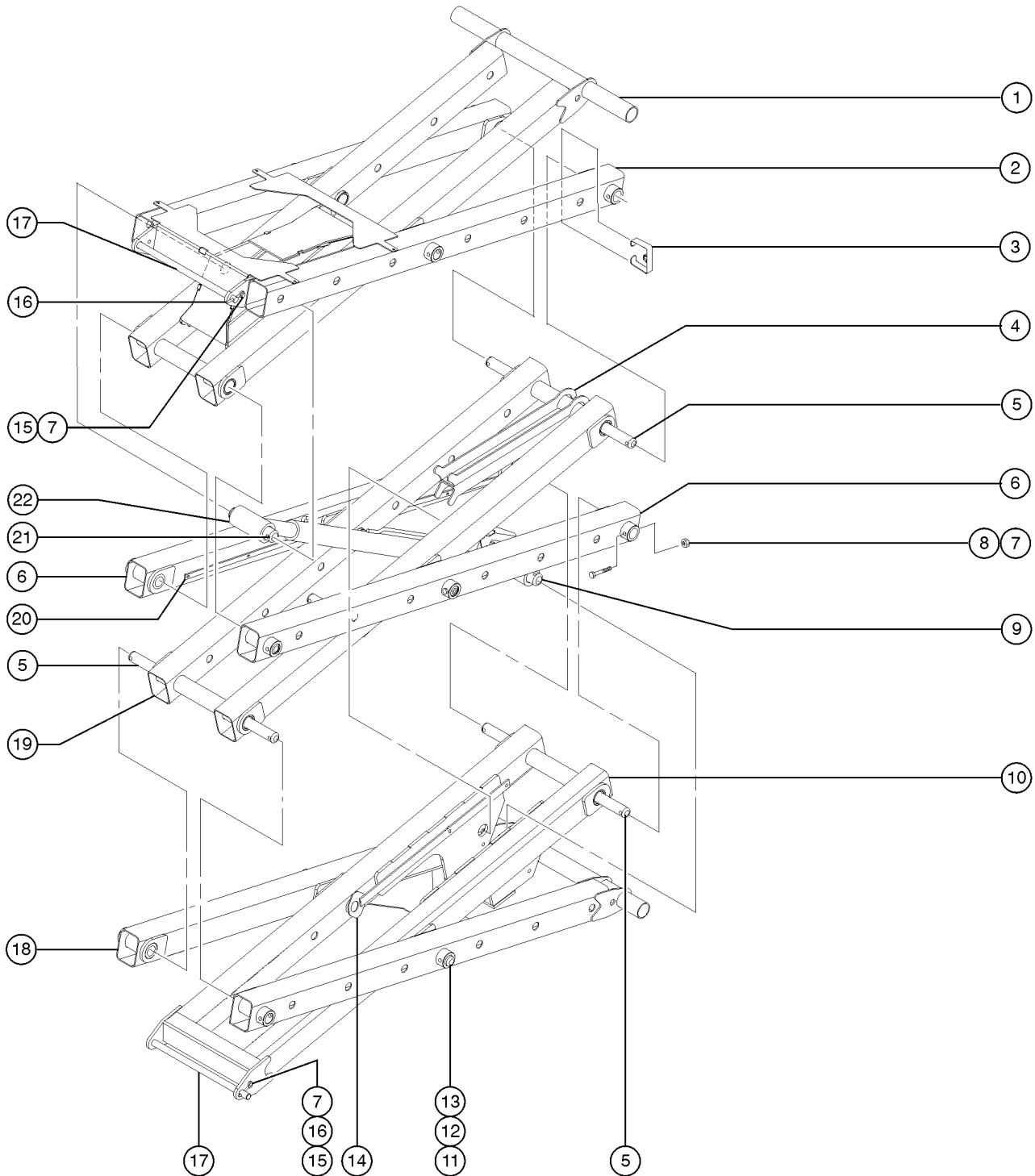
301.1 Scissor Assembly Installation



301.1 Scissor Assembly Installation

Item	Part No.	Description	Qty.
1	96415GT	WLDMT,PLATFORM SLIDER.....1 GS-1530, GS-1532	1
2	96576GT	SLIDER,MINI PLATFORM,DRILLED**....2 GS-1530, GS-1930	2
--	96576GT	SLIDER,MINI PLATFORM,DRILLED**....1 GS-1532, GS-1932	1
--	96595GT	SLIDER,UHMW.....4 GS-2032, GS-2632, GS-3232, GS-2046, GS-2646, GS-3246	4
3	96126GT	SLIDER, UHMW.....2 GS-1530, GS-1532, GS-1930, GS-1932	2
3A	96595GT	SLIDER,UHMW GS-2032, GS-2632, GS-3232, GS-2046, GS-2646, GS-3246	
4	105092GT	BOLT,CARRIAGE,3/8-16X1.25,GR5	
5	4828GT	NUT,NYLOCK,3/8-16	
6	84693GT	CHASSIS MOUNT ASSY, GS30.....1 GS-1530, GS-1532, GS-1930, GS-1932	1
--	36369GT	BEARING,0.75IDX1.00ODX0.75L.....2	2
6A	97241GT	CHASSIS MOUNT ASSY, GS32&46 GS-2032, GS-2632, GS-3232, GS-2046, GS-2646, GS-3246	
--	36369GT	BEARING,0.75IDX1.00ODX0.75L.....2	2
--	51474GT	BEARING,1.00IDX1.25ODX0.75L.....2	2
7	84694GT	PLATFORM MOUNT ASSY, 15 FT.....1 GS-1530, GS-1532	1
--	36369GT	BEARING,0.75IDX1.00ODX0.75L.....2	2
7A	84695GT	PLATFORM MOUNT ASSY, 19 FT GS-1930, GS-1932	
--	36369GT	BEARING,0.75IDX1.00ODX0.75L.....2	2
7B	84747GT	PLATFORM MOUNT ASSY, GS32&46 GS-2032, GS-2632, GS-3232, GS-2046, GS-2646, GS-3246	
--	36369GT	BEARING,0.75IDX1.00ODX0.75L.....2	2
8	96977GT	BOLT,CARRIAGE,1/2-13X1.50,GR5.....8	8
9	6198GT	NUT,NYLOCK,1/2-13.....8	8

302.1 Scissor Assembly, GS-1530, GS-1532 (to serial numbers GS3006A-84657 AND GS3006B-80108)

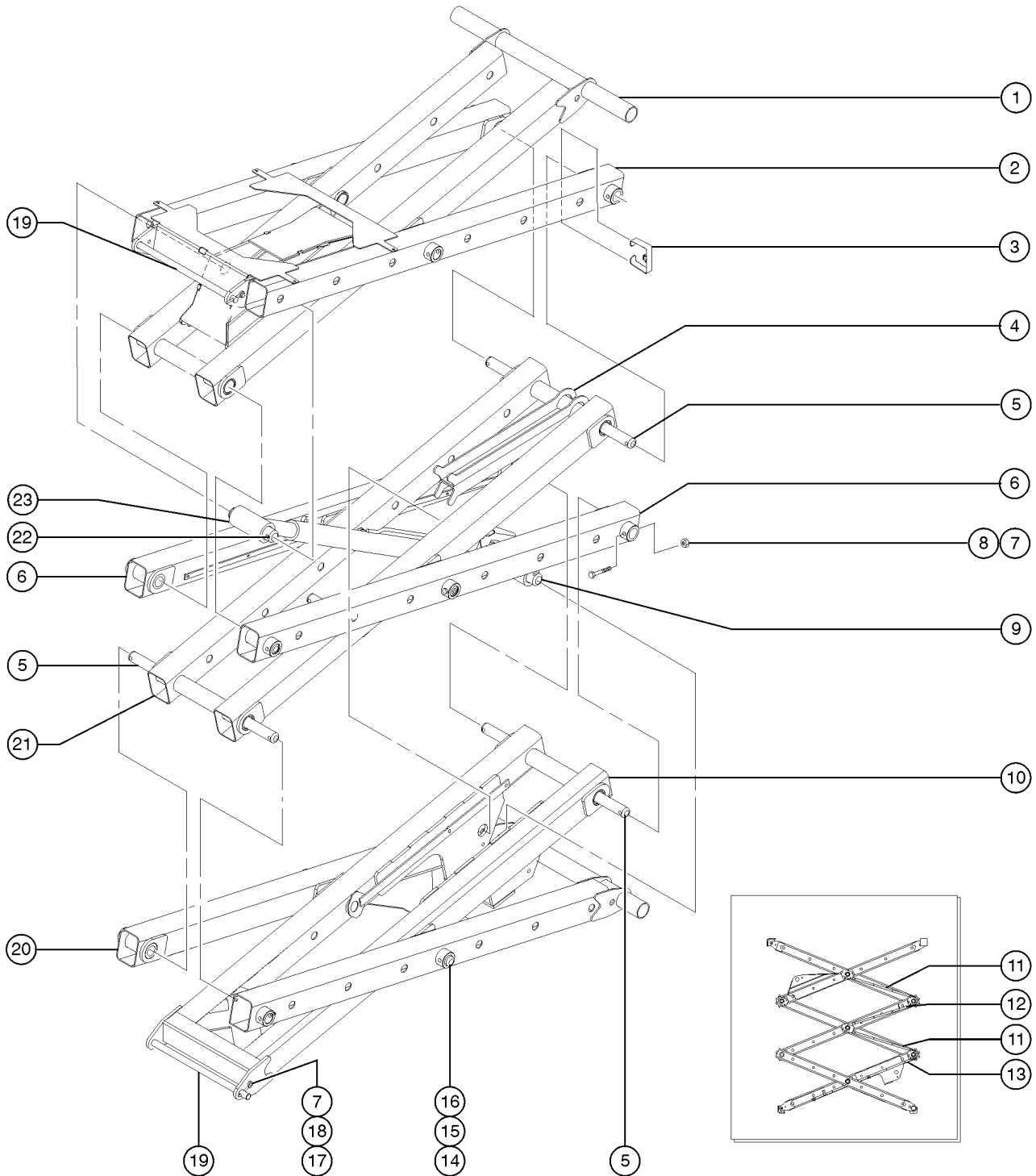


302.1 Scissor Assembly, GS-1530, GS-1532 (to serial numbers GS3006A-84657 AND GS3006B-80108)

Item	Part No.	Description	Qty.	Item	Part No.	Description	Qty.
1	84578GT	INNER ARM ASSY,#3,15FT.....	1	22		Ref. Lift Cylinder (refer to 506.1)	
--	96487GT	BEARING, 1.26IDX1.53ODX1.25L.....	6				
2	105280GT	WELDMENT, LINK PLATFORM MNT***.....	2				
		(from SN GS3005A-76054 and from GS3005B-76000) (to replace prior assembly, 96125, order qty 2, pn 105280 and 1 each PNs 96131, 45748, 8915, and 6091)					
--	45748GT	ROD END, .250 X 2.75 LG.....	1				
--	6091GT	NUT, NYLOCK, 1/4-20.....	1				
--	8915GT	SCREW, HHC, 1/4-20 X 1.25.....	1				
--	96131GT	PIN, CHASSIS PIVOT.....	1				
3	96331GT	LINK BUMPER.....	8				
4	58000GT	SAFETY CHOCK, SCISSOR.....	1				
5	105085GT	PIN, MINI END***.....	4				
6	96121GT	WELDMENT, LINK, SINGLE.....	2				
7	4828GT	NUT, NYLOCK, 3/8-16					
8	8178GT	SCREW, HHC, 3/8-16 X 2.5 (to SN GS3007A-91247 and to GS3007B-86914)					
8A	14033GT	SCREW, HHC, 3/8-16 X 2.75 (from SN GS3007A-91248 and from GS3007B-86915)					
9	47666GT	PIN, 1.50DIA X 9.13LG, 1HOLE.....	1				
10	84584GT	INNER ARM ASSY, #1, 15&19FT WORD.....	1				
		(USA, Canada and Australia)					
--	96487GT	BEARING, 1.26IDX1.53ODX1.25L.....	6				
10A	84585GT	INNER ARM ASSY, #1, 15&19FT SYMB (Europe, Asia, South America)					
11	30217GT	SNAP RING, EXTERNAL, 1.25 DIA. **.....	6				
12	96390GT	WASHER, FLAT, 1.27 X 2.13 X .13					
13	96130GT	PIN, MINI, CENTER.....	6				
14	96369GT	WELDMENT, CABLE BRIDGE, 1 ARMS.....	2				
15	8516GT	SCREW, HCC, 3/8-16 X 1.50					
16	45748GT	ROD END, .250 X 2.75 LG.....	2				
17	96131GT	PIN, CHASSIS PIVOT.....	2				
18	84581GT	OUTER ARM ASSY #1, 15&19FT WORD.....	1				
		(USA, Canada, Australia)					
18A	84583GT	OUTER ARM ASSY, #1, 15&19FT SYMB (Europe, Asia, South America)					
19	84582GT	INNER ARM ASSY, #2, 15/19 FT, WRD.....	1				
--	96487GT	BEARING, 1.26IDX1.53ODX1.25L.....	8				
20	96368GT	WELDMENT, CABLE BRIDGE, 2 ARMS.....	1				
21	96283GT	PIN, CYLINDER, SHORT.....	1				



302.2 Scissor Assembly, GS-1530, GS-1532 (from SNs GS3006A-84658, GS3006B-80109, and GS3008C-101)

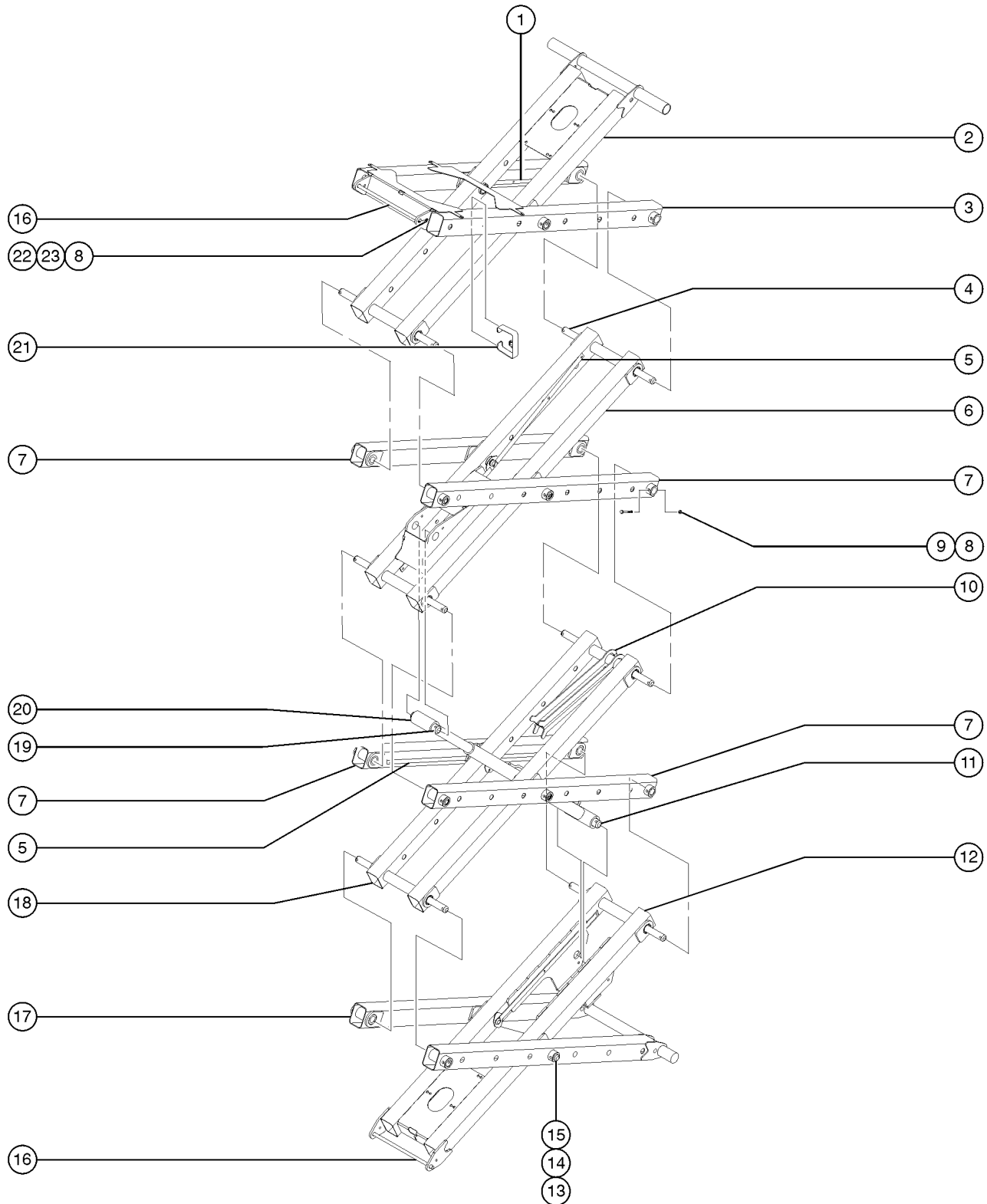


302.2 Scissor Assembly, GS-1530, GS-1532 (from SNs GS3006A-84658, GS3006B-80109, and GS3008C-101)

Item	Part No.	Description	Qty.	Item	Part No.	Description	Qty.
1	84578GT	INNER ARM ASSY,#3,15FT.....	1	22	96283GT	PIN, CYLINDER, SHORT.....	1
--	96487GT	BEARING,1.26IDX1.53ODX1.25L.....	6	23		Ref. Lift Cylinder (refer to 506.1)	
2	105280GT	WELDMNT,LINK PLATFORM MNT***.....	2				
3	96331GT	LINK BUMPER.....	8				
4	58000GT	SAFETY CHOCK,SCISSOR.....	1				
5	105085GT	PIN,MINI END***.....	4				
6	96121GT	WELDMNT, LINK, SINGLE.....	2				
7	4828GT	NUT,NYLOCK,3/8-16					
8	8178GT	SCREW,HHC,3/8-16 X 2.5 (to SN GS3007A-91247 and to GS3007B-56914)					
8A	14033GT	SCREW,HHC,3/8-16 X 2.75 (from SN GS3007A-91248, GS3007B-56915 and GS3008C-101)					
9	47666GT	PIN,1.50DIA X 9.13LG,1HOLE.....	1				
10	105997GT	INNER ARM ASSY#1,15&19FT,WORD (USA, Canada and Australia) (from SN 96548)					
--	84584GT	INNER ARM ASSY,#1,15&19FT WORD.....	1				
--	96487GT	BEARING,1.26IDX1.53ODX1.25L.....	6				
10A	105998GT	INNER ARM ASSY#1,15&19FT,SYMB (Europe, Asia, South America) (from SN 96548 and GS3008C-101)					
--	84585GT	INNER ARM ASSY,#1,15&19FT SYMB (Europe, Asia, South America) (to SN 96547)					
--	96487GT	BEARING,1.26IDX1.53ODX1.25L.....	6				
11	105183GT	WLDMT,CABLE BRIDGE,BOTTOM,MINI.....	2				
12	105184GT	WELDMNT,CABLE BRIDGE, TOP,MINI.....	1				
13	105182GT	WLDMT,CABLE BRIDGE,LOWER,MINI.....	1				
14	30217GT	SNAP RING,EXTERNAL,1.25 DIA.**.....	6				
15	96390GT	WASHER,FLAT, 1.27 X 2.13 X .13					
16	96130GT	PIN, MINI, CENTER.....	6				
17	8516GT	SCREW, HCC, 3/8-16 X 1.50					
18	45748GT	ROD END,.250 X 2.75 LG.....	2				
19	96131GT	PIN, CHASSIS PIVOT.....	2				
20	84581GT	OUTER ARM ASSY#1,15&19FT WORD.....	1				
		(USA, Canada, Australia)					
20A	84583GT	OUTER ARM ASSY,#1,15&19FT SYMB (Europe, Asia, South)					
21	84582GT	INNER ARM ASSY,#2,15/19 FT,WRD.....	1				
--	96487GT	BEARING,1.26IDX1.53ODX1.25L.....	8				



303.1 Scissor Assembly, GS-1930, GS-1932, (to serial numbers GS3006A-84657 and GS3006B-80108)

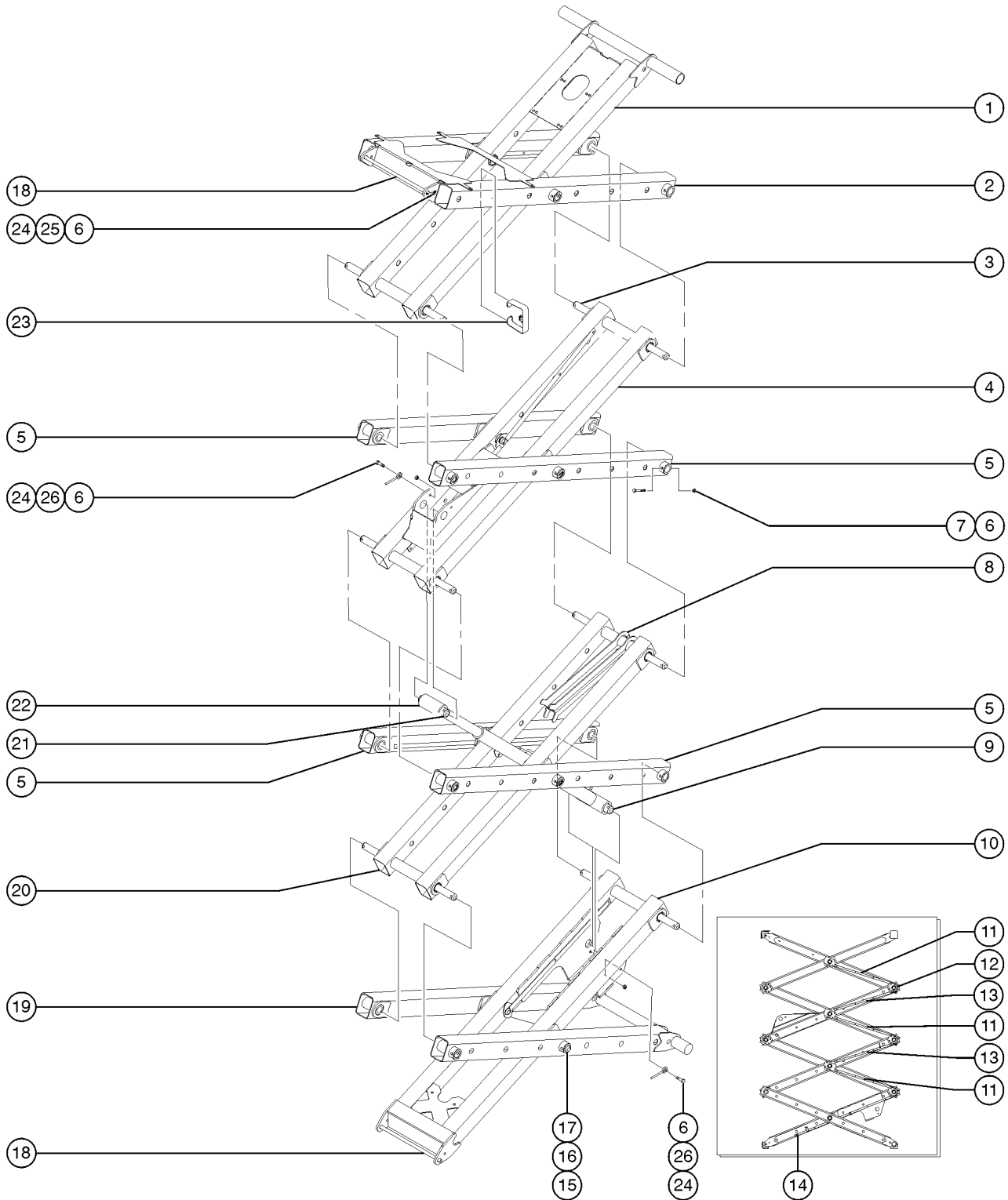


303.1 Scissor Assembly, GS-1930, GS-1932, (to serial numbers GS3006A-84657 and GS3006B-80108)

Item	Part No.	Description	Qty.	Item	Part No.	Description	Qty.
1	96369GT	WELDMENT, CABLE BRIDGE, 1 ARMS.....	2	21	96331GT	LINK BUMPER.....	8
2	84579GT	INNER ARM ASSY,#4 19FT.....	1	22	8516GT	SCREW, HCC, 3/8-16 X 1.50	
--	96487GT	BEARING,1.26IDX1.53ODX1.25L.....	6	23	45748GT	ROD END,.250 X 2.75 LG.....	2
3	105280GT	WELDMENT,LINK PLATFORM MNT*** <i>(from SN GS3005A-76054 and from SN GS3005B-76000) (to replace prior assembly, 96125 (shown), order qty 2, pn 105280 and 1 each PNs 96131, 45748, 8915, and 6091)</i>	2				
--	45748GT	ROD END,.250 X 2.75 LG.....	1				
--	6091GT	NUT,NYLOCK,1/4-20.....	1				
--	8915GT	SCREW,HHC,1/4-20 X 1.25.....	1				
--	96131GT	PIN, CHASSIS PIVOT.....	1				
4	105085GT	PIN,MINI END***	6				
5	96368GT	WELDMENT, CABLE BRIDGE, 2 ARMS.....	2				
6	84580GT	INNER ARM ASSY, #3, 19FT.....	1				
--	96487GT	BEARING,1.26IDX1.53ODX1.25L.....	8				
7	96121GT	WELDMENT, LINK, SINGLE.....	4				
8	4828GT	NUT,NYLOCK,3/8-16					
9	8178GT	SCREW,HHC,3/8-16 X 2.5					
9A	14033GT	SCREW,HHC,3/8-16 X 2.75 <i>(from SN GS3007A-91248 and from SN GS3007B-86915)</i>					
10	58000GT	SAFETY CHOCK,SCISSOR..... <i>(to SN GS3007A-91247 and to SN GS3007B-86914)</i>	1				
11	47666GT	PIN,1.50DIA X 9.13LG,1HOLE.....	1				
12	84584GT	INNER ARM ASSY,#1,15&19FT WORD..... <i>(USA, Canada, Australia)</i>	1				
--	96487GT	BEARING,1.26IDX1.53ODX1.25L.....					
12A	84585GT	INNER ARM ASSY,#1,15&19FT SYMB <i>(Europe, Asia, South America)</i>					
--	96487GT	BEARING,1.26IDX1.53ODX1.25L.....	6				
13	30217GT	SNAP RING,EXTERNAL,1.25 DIA.**.....	8				
14	1260941GT	WASHER,SHIM,1.54X2.00X.125,ZAG					
15	96130GT	PIN, MINI, CENTER.....	8				
16	96131GT	PIN, CHASSIS PIVOT.....	2				
17	84581GT	OUTER ARM ASSY#1,15&19FT WORD..... <i>(USA, Canada, Australia)</i>	1				
17A	84583GT	OUTER ARM ASSY,#1,15&19FT SYMB <i>(Europe, Asia, South America)</i>					
18	84582GT	INNER ARM ASSY,#2,15/19 FT,WRD.....	1				
19	96283GT	PIN, CYLINDER, SHORT.....	1				
20		Ref. Lift Cylinder <i>(refer to 506.1)</i>					



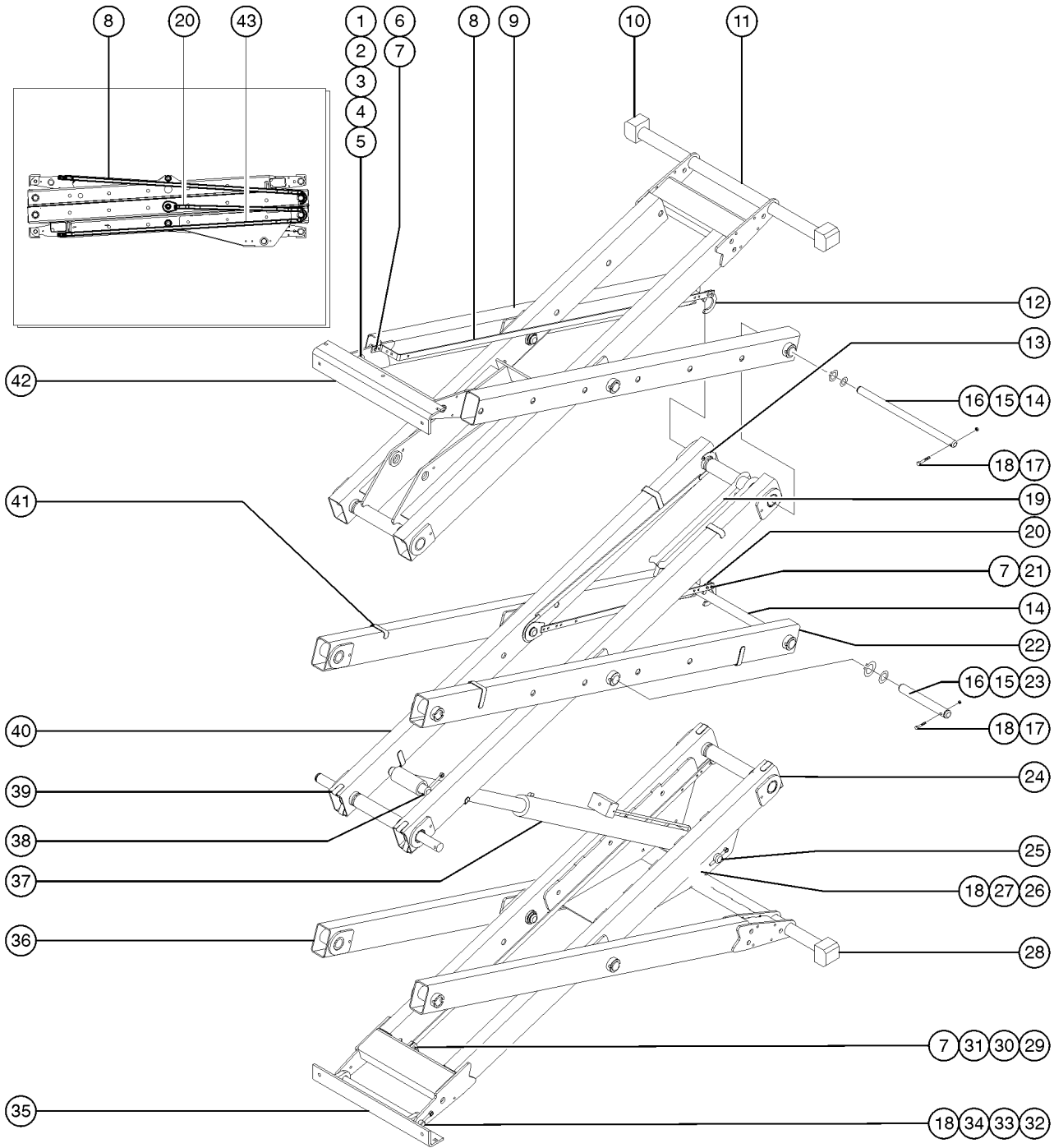
303.2 Scissor Assembly, GS-1930, GS-1932 (from SNs GS3006A-84658, GS3006B-80109 and GS3008C-101)



303.2 Scissor Assembly, GS-1930, GS-1932 (from SNs GS3006A-84658, GS3006B-80109 and GS3008C-101)

Item	Part No.	Description	Qty.	Item	Part No.	Description	Qty.
1	84579GT	INNER ARM ASSY,#4 19FT.....	1	23	96331GT	LINK BUMPER.....	8
--	96487GT	BEARING,1.26IDX1.53ODX1.25L.....	6	24	8516GT	SCREW, HCC, 3/8-16 X 1.50	
2	105280GT	WELDMENT,LINK PLATFORM MNT***	2	25	45748GT	ROD END,.250 X 2.75 LG.....	2
3	105085GT	PIN,MINI END***	6	26	825019GT	ROD END,.375X3.69,ZAG.....	2
4	84580GT	INNER ARM ASSY, #3, 19FT.....	1				
--	96487GT	BEARING,1.26IDX1.53ODX1.25L.....	8				
5	96121GT	WELDMENT, LINK, SINGLE.....	4				
6	4828GT	NUT,NYLOCK,3/8-16					
7	8178GT	SCREW,HHC,3/8-16 X 2.5 (from SN GS3007A-91248, GS3007B-86915 and GS3008C-101)					
7A	14033GT	SCREW,HHC,3/8-16 X 2.75 (to SN GS3007A-91247 and to SN GS3007B-86914)					
8	58000GT	SAFETY CHOCK,SCISSOR.....	1				
9	47666GT	PIN,1.50DIAX9.13LG,1HOLE.....	1				
10	105997GT	INNER ARM ASSY#1,15&19FT,WORD (USA, Canada, Australia) (from SN 96548)					
--	84584GT	INNER ARM ASSY,#1,15&19FT WORD.....	1				
--	96487GT	BEARING,1.26IDX1.53ODX1.25L.....	6				
10A	105998GT	INNER ARM ASSY#1,15&19FT,SYMB (Europe, Asia, South America) (from SN 96548 and GS3008C-101)					
--	84585GT	INNER ARM ASSY,#1,15&19FT SYMB (Europe, Asia, South America) (to 96547)					
--	96487GT	BEARING,1.26IDX1.53ODX1.25L.....	6				
11	105183GT	WLDMT,CABLE BRIDGE,BOTTOM,MINI.....	3				
12	105185GT	CLIP, CABLEBRIDGE, MINI.....	3				
13	105184GT	WELDMENT,CABLE BRIDGE,TOP,MINI.....	2				
14	105182GT	WLDMT,CABLE BRIDGE,LOWER,MINI.....	1				
15	30217GT	SNAP RING,EXTERNAL,1.25 DIA.**	8				
16	96390GT	WASHER,FLAT, 1.27 X 2.13 X .13					
17	96130GT	PIN, MINI, CENTER.....	8				
18	96131GT	PIN, CHASSIS PIVOT.....	2				
19	84581GT	OUTER ARM ASSY#1,15&19FT WORD.....	1				
		(USA, Canada, Australia)					
19A	84583GT	OUTER ARM ASSY,#1,15&19FT SYMB (Europe, Asia, South America)					
20	84582GT	INNER ARM ASSY,#2,15/19 FT,WRD.....	1				
21	96283GT	PIN, CYLINDER, SHORT.....	1				
22		Ref. Lift Cylinder (refer to 506.1)					

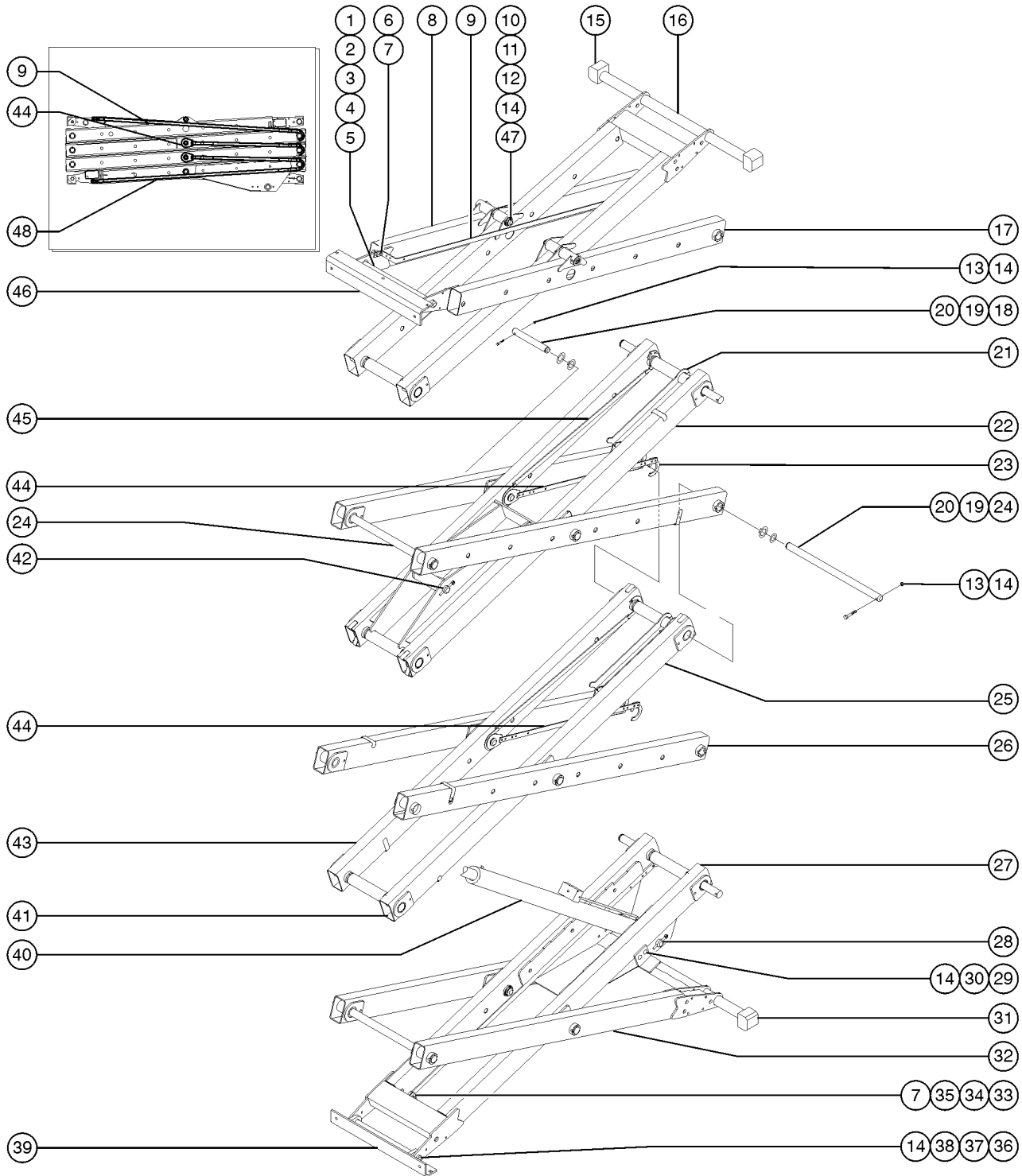
304.1 Scissor Assembly, GS-2032, GS-2046



304.1 Scissor Assembly, GS-2032, GS-2046

Item	Part No.	Description	Qty.	Item	Part No.	Description	Qty.
1	96932GT	PIN, LINKSET MOUNT, 3/4".....1	1	--	66055GT	BEARING,1.50IDX1.77ODX1.25L.....6	6
2	45748GT	ROD END,.250 X 2.75 LG.....2	2	25	96662GT	PIN, LOWER CYLINDER MOUNT.....1	1
3	8915GT	SCREW,HHC,1/4-20 X 1.25		26	105092GT	BOLT,CARRIAGE,3/8-16X1.25,GR5	
4	6356GT	WASHER,LOCK,.25		27	105074GT	FORMING,PH PUSHER, GS46.....1	1
5	6091GT	NUT,NYLOCK,1/4-20		28		Ref. Chassis Slider (refer to 301.1)	
6	9116GT	BOLT,CARRIAGE,1/4-20x1.25,G2		29	58592GT	PLATE,HOSE ROUTG,BULKHEAD(PTD).....2	2
7	18504GT	NUT,LOCKING-LG.FLANGE,1/4-20		30	78736GT	CLAMP,2 HOSE,PLASTIC,5/8.....4	4
8	105189GT	BAR,CABLE BRIDGE ARM,UPPER.....1 (from SN GS32-86050, GS46-85767, GS3208C-101 and GS4609C-101)	1	31	96905GT	BOLT,CARRIAGE,1/4-20 X 2.5,G2	
8A	96786GT	BAR, CABLEBRIDGE, LONG.....2 (to SN GS32-86049 and to GS46-85766)	2	32	96862GT	PIN, LINKSET MOUNT, 1".....1	1
9	96611GT	WLDMT,LNK,OUT #3-20XX,#5-32XX.....2	2	33	825019GT	ROD END,.375X3.69,ZAG.....3	3
10		Ref. Platform Slider (refer to 301.1)		34	8516GT	SCREW, HCC, 3/8-16 X 1.50	
11	84696GT	INNER ARM ASSY,#3 GS2032.....1	1	35		Ref. Chassis Mount Assembly (refer to 301.1)	
--	66055GT	BEARING,1.50IDX1.77ODX1.25L.....6	6	36	84691GT	OUTER ARM ASSY,#1, GS32 WORD....1 (USA, Canada, Australia)	1
11A	97233GT	INNER ARM ASSY, #3, 2046		36A	84692GT	OUTER ARM ASSY,#1, GS32 SYMBOL (Europe, Asia, South America)	
--	66055GT	BEARING,1.50IDX1.77ODX1.25L.....6	6	36B	97237GT	OUTER ARM ASSY #1, GS46 WORD....1 (USA, Canada, Australia)	1
12	105193GT	CLIP,CABLEBRIDGE, GS32/46 (from SN GS32-86050, GS46-85767, GS3208C-101 and GS4609C-101)		36C	97238GT	OUTER ARM ASSY #1, GS46, SYMBO (Europe, Asia, South America)	
12A	96787GT	CLIP, CABLEBRIDGE.....2 (to SN GS32-86049 and to GS46-85766)	2	37		Ref. Lift Cylinder (refer to 506.1)	
13	96978GT	WELDMENT,CABLEBRIDGE HOOK.....1 (to SN GS32-86049 and to GS46-85766)	1	38	96661GT	PIN, UPPER CYLINDER MOUNT.....1	1
14	96899GT	PIN, LONG, GS46.....4	4	39	96735GT	LINK BUMPER, 5".....4	4
15	1260941GT	WASHER,SHIM,1.54X2.00X.125,ZAG		40	97234GT	INNER ARM ASSY, #2, GS32&46.....1	1
16	18383GT	SNAP RING,EXTERNAL,1.5 DIA***.....10	10	--	66055GT	BEARING,1.50IDX1.77ODX1.25L.....8	8
17	6326GT	SCREW,HHC,3/8-16 X 3		41	96836GT	LINK BUMPER, SHORT TUBE.....8	8
18	4828GT	NUT,NYLOCK,3/8-16		42		Ref. Platform Mount Assembly (refer to 301.1)	
19	58000GT	SAFETY CHOCK,SCISSOR.....1	1	43	105186GT	WLDMNT,CABLE BRIDGE,LOWER.....1 (from SN GS32-86050, GS3208C-101, GS46-85767, and GS4609C-101)	1
20	105191GT	WELDMENT,CABLE BRIDGE, TOP (from SN GS32-86050, GS46-85767, GS3208C-101 and GS4609C-101)					
20A	105190GT	WLDMT,CABLE BRIDGE,BOTTOM (from SN GS32-86050, GS46-85767, GS3208C-101 and GS4609C-101)					
20B	96866GT	WELDMENT,CABLEBRIDGE,SHORT.....2 (to SN GS32-86049 and to GS46-85766)	2				
21	6878GT	BOLT,CARRIAGE,1/4-20 X .75,G2					
22	96605GT	WLDMT,LNK,OUTER #2,#3,#4.....2	2				
23	96900GT	PIN, SHORT, GS46.....6	6				
24	97235GT	INNER ARM ASSY #1, GS32&46, WO....1 (USA, Canada, Australia)	1				
--	66055GT	BEARING,1.50IDX1.77ODX1.25L					
24A	97236GT	INNER ARM ASSY #1, GS32&46, SY (Europe, Asia, South America)					

305.1 Scissor Assembly, GS-2632, GS-2646



305.1 Scissor Assembly, GS-2632, GS-2646

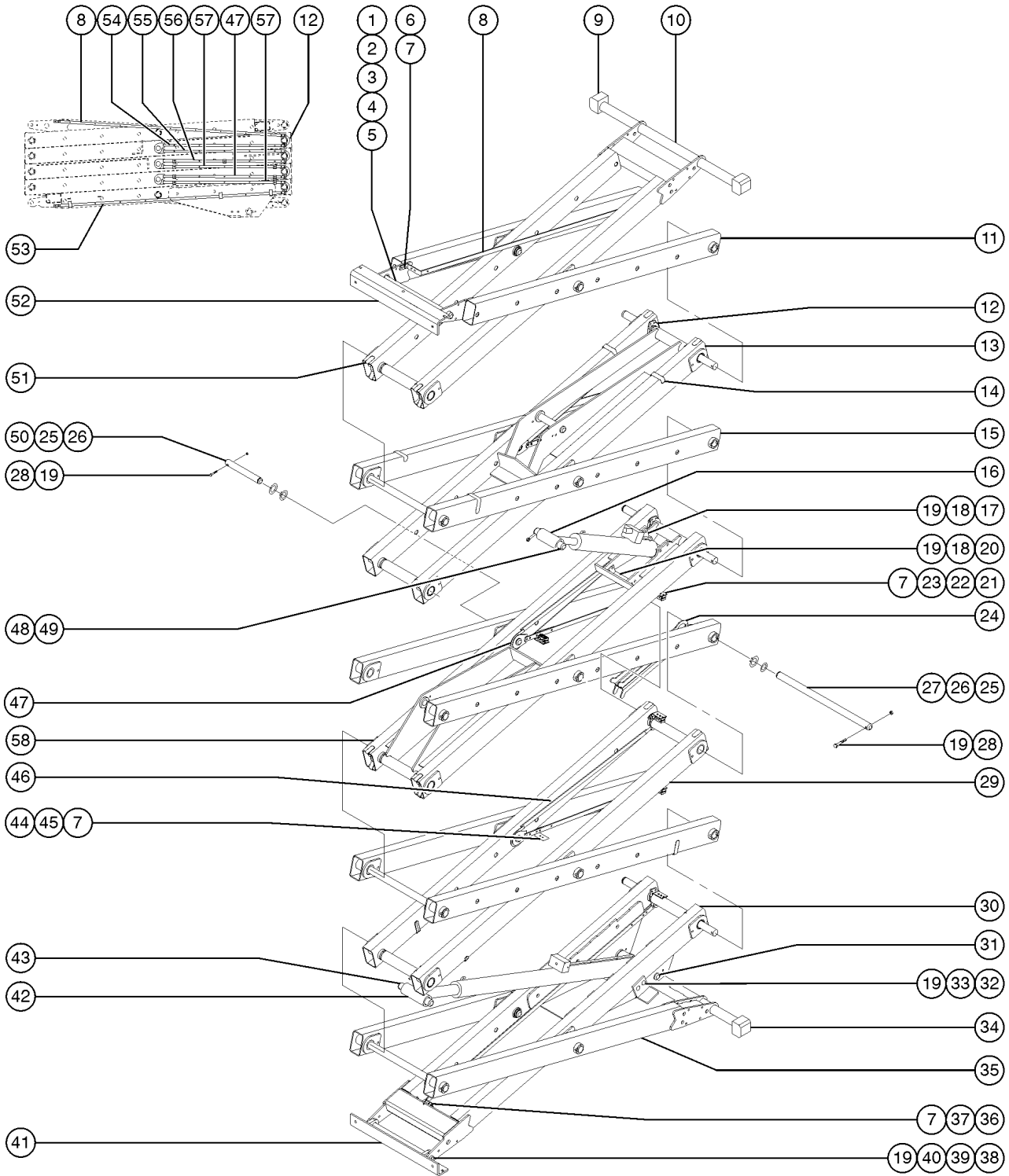
Item	Part No.	Description	Qty.	Item	Part No.	Description	Qty.
1	96932GT	PIN, LINKSET MOUNT, 3/4".....	1	28	96662GT	PIN, LOWER CYLINDER MOUNT.....	1
2	45748GT	ROD END,.250 X 2.75 LG.....	2	29	105092GT	BOLT,CARRIAGE,3/8-16X1.25,GR5 GS-2646	
3	8915GT	SCREW,HHC,1/4-20 X 1.25		30	105074GT	FORMING,PH PUSHER, GS46.....	1
4	6356GT	WASHER,LOCK,.25				GS-2646	
5	6091GT	NUT,NYLOCK,1/4-20		31		Ref. Chassis Slider (refer to 301.1)	
6	9116GT	BOLT,CARRIAGE,1/4-20x1.25,G2		32	84691GT	OUTER ARM ASSY,#1, GS32 WORD.....	1
7	18504GT	NUT,LOCKING-LG.FLANGE,1/4-20				GS-2632 (USA, Canada and Australia)	
8	96615GT	WLDMT,LNK,OUTER #4,26XX.....	1	32A	84692GT	OUTER ARM ASSY,#1, GS32 SYMBOL GS-2632 (Europe, Asia and South America)	
		(ground controls side)					
9	96786GT	BAR, CABLEBRIDGE, LONG.....	2	32B	97237GT	OUTER ARM ASSY #1, GS46 WORD....	1
		(to SN GS32-86049 and to GS46-85766)				GS-2646 (USA, Canada and Australia)	
9A	105189GT	BAR,CABLE BRIDGE ARM,UPPER (from SN GS32-86050, GS3208C-101, GS46-85767, and GS4609C-101)		32C	97238GT	OUTER ARM ASSY #1, GS46, SYMBO GS-2646 (Europe, Asia and South America)	
10	96130GT	PIN, MINI, CENTER.....	2	33		PLATE,HOSE ROUTG,BULKHEAD(PTD).....	2
11	30217GT	SNAP RING,EXTERNAL,1.25 DIA.**		33	58592GT	PLATE,HOSE ROUTG,BULKHEAD(PTD).....	2
12	96390GT	WASHER,FLAT, 1.27 X 2.13 X .13		34	78736GT	CLAMP,2 HOSE,PLASTIC,5/8.....	4
13	6326GT	SCREW,HHC,3/8-16 X 3		35	96905GT	BOLT,CARRIAGE,1/4-20 X 2.5,G2	
14	4828GT	NUT,NYLOCK,3/8-16		36	96862GT	PIN, LINKSET MOUNT, 1".....	1
15		Ref. Platform Slider (refer to 301.1)		37	825019GT	ROD END,.375X3.69,ZAG.....	3
16	84698GT	INNER ARM ASSY,#4 GS2632.....	1	38	8516GT	SCREW, HCC, 3/8-16 X 1.50	
--	66055GT	BEARING,1.50IDX1.77ODX1.25L.....	6	39		Ref. Chassis Mount Assembly (refer to 301.1)	
16A	97243GT	INNER ARM ASSY #4, 2646		40		Ref. Lift Cylinder (refer to 506.1)	
--	66055GT	BEARING,1.50IDX1.77ODX1.25L.....	6	41	96735GT	LINK BUMPER, 5".....	4
17	96616GT	WLDMT,LNK,OUTER #4,26XX,LEFT.....	1	42	96812GT	PIN,LOWER CYL,ROD END.....	1
		(battery pack side)		43	97234GT	INNER ARM ASSY, #2, GS32&46.....	1
18	96900GT	PIN, SHORT, GS46.....	6	--	66055GT	BEARING,1.50IDX1.77ODX1.25L.....	8
19	1260941GT	WASHER,SHIM,1.54X2.00X.125,ZAG		44	105191GT	WELDMENT.CABLE BRIDGE, TOP (from SN GS32-86050, GS3208C-101, GS46-85767, and GS4609C-101) (shown)	
20	18383GT	SNAP RING,EXTERNAL,1.5 DIA***.....	12	44A	105190GT	WLDMT,CABLE BRIDGE,BOTTOM (from SN GS32-86050, GS3208C-101, GS46-85767, and GS4609C-101) (not shown)	
21	58000GT	SAFETY CHOCK,SCISSOR.....	1	44B	96866GT	WELDMENT,CABLEBRIDGE,SHORT.....	2
22	97244GT	INNER ARM ASSY #3, 2632/2646.....	1			(to SN GS32-86049 and to GS46-85766)	
--	66055GT	BEARING,1.50IDX1.77ODX1.25L.....	8	45	96978GT	WELDMENT,CABLEBRIDGE HOOK.....	2
23	105193GT	CLIP,CABLEBRIDGE, GS32/46 (from SN GS32-86050, GS3208C-101, GS46-85767, and GS4609C-101)				(to SN GS32-86049 and to GS46-85766)	
23A	96787GT	CLIP, CABLEBRIDGE.....	3	46		Ref. Platform Mount Assembly (refer to 301.1)	
		(to SN GS32-86049 and to GS46-85766)		47	6326GT	SCREW,HHC,3/8-16 X 3 (to SN GS32-86978 and to GS46-86751)	
24	96899GT	PIN, LONG, GS46.....	6				
25	96836GT	LINK BUMPER, SHORT TUBE.....	8				
26	96605GT	WLDMT,LNK,OUTER #2,#3,#4.....	4				
27	97235GT	INNER ARM ASSY #1, GS32&46, WO....	1				
		(USA, Canada and Australia)					
--	66055GT	BEARING,1.50IDX1.77ODX1.25L					
27A	97236GT	INNER ARM ASSY #1, GS32&46, SY (Europe, Asia and South America)					
--	66055GT	BEARING,1.50IDX1.77ODX1.25L.....	6				

305.1 Scissor Assembly, GS-2632, GS-2646
(continued)

Item	Part No.	Description	Qty.
47A	14033GT	SCREW,HHC,3/8-16 X 2.75 <i>(from SN GS32-86050, GS3208C-101, GS46-85767, and GS4609C-101)</i>	
48	105186GT	WLDMNT,CABLE BRIDGE,LOWER.....1 <i>(from SN GS32-86050, GS3208C-101, GS46-85767, and GS4609C-101)</i>	

This Page Intentionally Left Blank

306.1 Scissor Assembly, GS-3232, GS-3246



306.1 Scissor Assembly, GS-3232, GS-3246

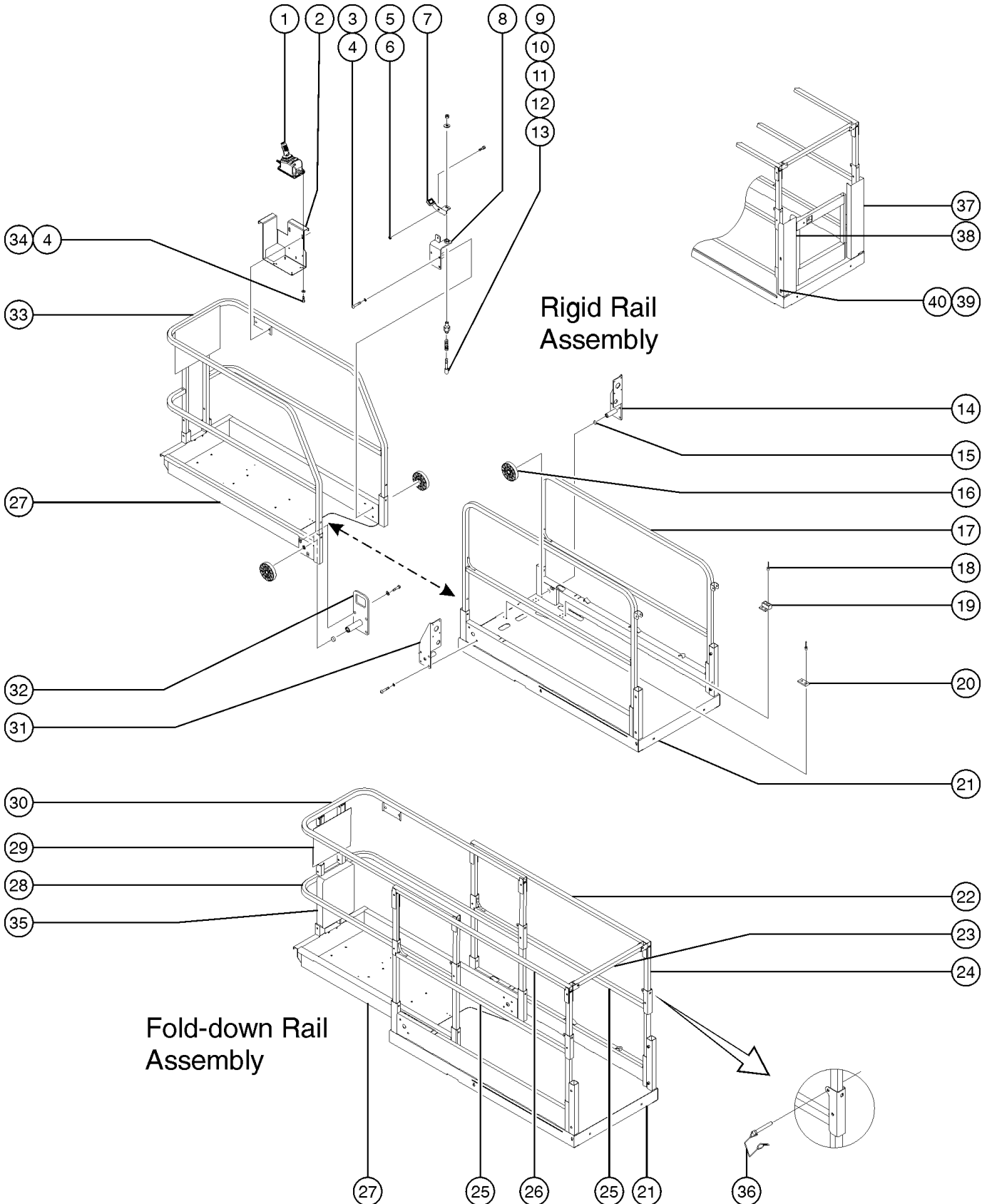
Item	Part No.	Description	Qty.	Item	Part No.	Description	Qty.
1	96932GT	PIN, LINKSET MOUNT, 3/4".....	1	--	66055GT	BEARING,1.50IDX1.77ODX1.25L	
2	45748GT	ROD END,.250 X 2.75 LG.....	2	30A	97236GT	INNER ARM ASSY #1, GS32&46, SY (Europe, Asia, South America)	
3	8915GT	SCREW,HHC,1/4-20 X 1.25		--	66055GT	BEARING,1.50IDX1.77ODX1.25L.....	6
4	6356GT	WASHER,LOCK,.25		31	96662GT	PIN, LOWER CYLINDER MOUNT.....	1
5	6091GT	NUT,NYLOCK,1/4-20		32	105092GT	BOLT,CARRIAGE,3/8-16X1.25,GR5	
6	9116GT	BOLT,CARRIAGE,1/4-20x1.25,G2		33	105074GT	FORMING,PH PUSHER, GS46.....	2
7	18504GT	NUT,LOCKING-LG.FLANGE,1/4-20		34		Ref. Chassis Slider (refer to 301.1)	
8	96786GT	BAR, CABLEBRIDGE, LONG.....	2				
		(to SN GS32-86049 and to GS46-85766)		35	115115GT	OUTER ARM ASSY,#1 W/WORD DECAL GS-3232 (USA, Canada, Australia)	
8A	105189GT	BAR,CABLE BRIDGE ARM,UPPER (from SN GS32-86050, GS3208C-101, GS46-85767 and GS4609C-101)		35A	97237GT	OUTER ARM ASSY #1, GS46 WORD....	1
						GS-3246 (USA, Canada, Australia)	
9		Ref. Platform Slider (refer to 301.1)		35B	97238GT	OUTER ARM ASSY #1, GS46, SYMBO GS-3246 (Europe, Asia, South America)	
10	115114GT	INNER ARM ASSY #5, 3232		36	58592GT	PLATE,HOSE ROUTG,BULKHEAD(PTD).....	3
--	66055GT	BEARING,1.50IDX1.77ODX1.25L.....	8	37	96903GT	BOLT,CARRIAGE,1/4-20 X 3.50,G2	
10A	97245GT	INNER ARM ASSY #5, 3246.....	1	38	96862GT	PIN, LINKSET MOUNT, 1".....	1
--	66055GT	BEARING,1.50IDX1.77ODX1.25L.....	8	39	825019GT	ROD END,.375X3.69,ZAG.....	4
11	96611GT	WLDMT,LNK,OUT #3-20XX,#5-32XX....	2	40	8516GT	SCREW, HCC, 3/8-16 X 1.50	
12	96787GT	CLIP, CABLEBRIDGE.....	4	41		Ref. Chassis Mount Assembly (refer to 301.1)	
		(to SN GS32-86049 and to GS46-85766)		42		Ref. Lift Cylinder, Bottom (refer to 506.1)	
12A	105193GT	CLIP,CABLEBRIDGE, GS32/46 (from SN GS32-86050, GS3208C-101, GS46-85767 and GS4609C-101)		43	96812GT	PIN,LOWER CYL,ROD END.....	1
13	97246GT	INNER ARM ASSY #4, 3246.....	1	44	105021GT	FORMING,CB HOSE CLAMP.....	2
--	66055GT	BEARING,1.50IDX1.77ODX1.25L.....	8			GS-3232	
14	96836GT	LINK BUMPER, SHORT TUBE.....	8	45	6878GT	BOLT,CARRIAGE,1/4-20 X .75,G2	
15	96605GT	WLDMT,LNK,OUTER #2,#3,#4.....	6	46	96978GT	WELDMENT,CABLEBRIDGE HOOK.....	3
16		Ref. Lift Cylinder, Top (refer to 506.1)				(to SN GS32-86049 and to GS46-85766)	
17	96700GT	PLATE, PIN RETAINER.....	2	47	96866GT	WELDMENT,CABLEBRIDGE,SHORT.....	6
18	60790GT	BOLT, CARRIAGE, 3/8-16 X 1.50, G5				GS-3246 (to SN GS32-86049 and to GS46-85766)	
19	4828GT	NUT,NYLOCK,3/8-16		47A	105187GT	WELDMENT,CABLE BRIDGE, TOP,32XX.....	6
20	96971GT	FORMING,HOSE CLAMP,UPPER CYL.....	1			GS-3246 (from GS46-85767 and GS4609C-101)	
21	78736GT	CLAMP,2 HOSE,PLASTIC,5/8.....	18	47B	96866GT	WELDMENT,CABLEBRIDGE,SHORT.....	3
22	6145GT	SCREW,HHC,1/4-20 X 1.5				GS-3246 (to SN GS32-86049 and to GS46-85766)	
23	6638GT	WASHER,FLAT,USS,1/4"Y		47C	105187GT	WELDMENT,CABLE BRIDGE, TOP,32XX.....	3
24	58001GT	SAFETY CHOCK-SCISSOR.....	1			GS-3246 (from GS46-85767 and GS4609C-101)	
25	96899GT	PIN, LONG, GS46.....	8	48	96661GT	PIN, UPPER CYLINDER MOUNT.....	1
26	1260941GT	WASHER,SHIM,1.54X2.00X.125,ZAG		49	96663GT	PIN,SADDLE CYLINDER MOUNT.....	1
27	18383GT	SNAP RING,EXTERNAL,1.5 DIA***.....	18	50	96900GT	PIN, SHORT, GS46.....	6
28	6326GT	SCREW,HHC,3/8-16 X 3		51	96735GT	LINK BUMPER, 5".....	8
29	97234GT	INNER ARM ASSY, #2, GS32&46.....	1				
--	66055GT	BEARING,1.50IDX1.77ODX1.25L.....	8				
30	97235GT	INNER ARM ASSY #1, GS32&46, WO....	1				
		(USA, Canada, Australia)					

306.1 Scissor Assembly, GS-3232, GS-3246
(continued)

Item	Part No.	Description	Qty.
52		Ref. Platform Mount Assembly (refer to 301.1)	
53	105186GT	WLDMNT,CABLE BRIDGE,LOWER.....1 (from SN GS32-86050, GS3208C-101, GS46-85767, GS4609C-101)	
54	105191GT	WELDMNT,CABLE BRIDGE,TOP.....1 (from SN GS32-86050, GS3208C-101, GS46-85767, GS4609C-101)	
55	105190GT	WLDMT,CABLE BRIDGE,BOTTOM.....1 (from SN GS32-86050, GS3208C-101, GS46-85767, GS4609C-101)	
56	105192GT	WELDMNT,CABLE BRIDGE***.....1 (from SN GS32-86050, GS3208C-101, GS46-85767, GS4609C-101)	
57	105188GT	WLDMT,CABLE BRIDGE,BOTTOM,3246.....2 (from SN GS32-86050, GS3208C-101, GS46-85767, GS4609C-101)	
58	96608GT	WLDMT,LNK,INNER #3,32XX.....1	
--	66055GT	BEARING,1.50IDX1.77ODX1.25L.....8	

This Page Intentionally Left Blank

401.1 Platform Components, GS-1530, GS-1532, GS-1930, GS-1932



401.1 Platform Components, GS-1530, GS-1532, GS-1930, GS-1932

Item	Part No.	Description	Qty.	Item	Part No.	Description	Qty.
--	97081GT	PLAT ASSY RIGID SWING 1530ANSI (GS3003-60000 to GS3007A-88079, GS3005B-76000 to GS3007B-91731) (Assemblies with Word Decals - USA and Canada models)		--	115178GT	PLAT ASSY RIGID CHAIN 1930ANSI (GS3007A-88080 to GS3010A-109999, GS3007B-91732 to GS3009B-98941 , GS3008C-101 to GS3011C-9999) (Assemblies with Word Decals - USA and Canada models)	
--	115173GT	PLAT ASSY RIGID SWING 1530ANSI (GS3007A-88080 to GS3010A-109999, GS3007B-91732 to GS3009B-98941 , GS3008C-101 to GS3011C-9999) (Assemblies with Word Decals - USA and Canada models)		--	97087GT	PLAT ASSY FOLD SWING 1930ANSI (to SN 88079) (Assemblies with Word Decals - USA and Canada models)	
--	97082GT	PLAT ASSY RIGID CHAIN 1530ANSI (GS3003-60000 to GS3007A-88079, GS3005B-76000 to GS3007B-91731) (Assemblies with Word Decals - USA and Canada models)		--	115179GT	PLAT ASSY FOLD SWING 1930ANSI (GS3007A-88080 to GS3010A-109999, GS3007B-91732 to GS3009B-98941 , GS3008C-101 to GS3011C-9999) (Assemblies with Word Decals - USA and Canada models)	
--	115174GT	PLAT ASSY RIGID CHAIN 1530ANSI (from SN 88080 and GS3008C-101) (Assemblies with Word Decals - USA and Canada models)		--	97088GT	PLAT ASSY FOLD CHAIN 1930ANSI (to SN 88079) (Assemblies with Word Decals - USA and Canada models)	
--	97083GT	PLAT ASSY FOLD SWING 1530ANSI (GS3003-60000 to GS3007A-88079, GS3005B-76000 to GS3007B-91731) (Assemblies with Word Decals - USA and Canada models)		--	115180GT	PLAT ASSY FOLD CHAIN 1930ANSI (from SN 88080 and GS3008C-101) (Assemblies with Word Decals - USA and Canada models)	
--	115175GT	PLAT ASSY FOLD SWING 1530ANSI (GS3007A-88080 to GS3010A-109999, GS3007B-91732 to GS3009B-98941 , GS3008C-101 to GS3011C-9999) (Assemblies with Word Decals - USA and Canada models)		--	97093GT	PLAT ASSY RIGID SWING 1532 AUS (GS3003-60000 to GS3007A-88079, GS3005B-76000 to GS3007B-91731) (Australia models)	
--	97084GT	PLAT ASSY FOLD CHAIN 1530ANSI (to SN 88079) (Assemblies with Word Decals - USA and Canada models)		--	115181GT	PLAT ASSY RIGID SWING 1532 AUS (GS3007A-88080 to GS3010A-109999, GS3007B-91732 to GS3009B-98941 , GS3008C-101 to GS3011C-9999) (Australia models)	
--	115176GT	PLAT ASSY FOLD CHAIN 1530ANSI (from SN 88080 and GS3008C-101) (Assemblies with Word Decals - USA and Canada models)		--	97094GT	PLAT ASSY FOLD SWING 1532 AUS (GS3003-60000 to GS3007A-88079, GS3005B-76000 to GS3007B-91731) (Australia models)	
--	97085GT	PLAT ASSY RIGID SWING 1930ANSI (GS3003-60000 to GS3007A-88079, GS3005B-76000 to GS3007B-91731) (Assemblies with Word Decals - USA and Canada models)		--	115182GT	PLAT ASSY FOLD SWING 1532 AUS (GS3007A-88080 to GS3010A-109999, GS3007B-91732 to GS3009B-98941 , GS3008C-101 to GS3011C-9999) (Australia models)	
--	115177GT	PLAT ASSY RIGID SWING 1930ANSI (GS3007A-88080 to GS3010A-109999, GS3007B-91732 to GS3009B-98941 , GS3008C-101 to GS3011C-9999) (Assemblies with Word Decals - USA and Canada models)		--	97095GT	PLAT ASSY RIGID SWING 1932 AUS (GS3003-60000 to GS3007A-88079, GS3005B-76000 to GS3007B-91731) (Australia models)	
--	97086GT	PLAT ASSY RIGID CHAIN 1930ANSI (GS3003-60000 to GS3007A-88079, GS3005B-76000 to GS3007B-91731) (Assemblies with Word Decals - USA and Canada models)		--	115183GT	PLAT ASSY RIGID SWING 1932 AUS (GS3007A-88080 to GS3010A-109999, GS3007B-91732 to GS3009B-98941 , GS3008C-101 to GS3011C-9999) (Australia models)	
				--	97096GT	PLAT ASSY FOLD SWING 1932 AUS (GS3003-60000 to GS3007A-88079, GS3005B-76000 to GS3007B-91731) (Australia models)	

401.1 Platform Components, GS-1530, GS-1532, GS-1930, GS-1932 (continued)

Item	Part No.	Description	Qty.	Item	Part No.	Description	Qty.
--	115184GT	PLAT ASSY FOLD SWING 1932 AUS (GS3007A-88080 to GS3010A-109999, GS3007B-91732 to GS3009B-98941 , GS3008C-101 to GS3011C-9999) (Australia models)		--	115190GT	PLAT ASSY RIGID CHAIN 1930SMBL (from SN 88080 and GS3008C-101) (Assemblies with Symbol Decals - USA, Canada and Australia models)	
--	97097GT	PLAT ASSY RIGID SWING 1530SMBL (to SN 88079) (Assemblies with Symbol Decals - USA, Canada and Australia models)		--	97103GT	PLAT ASSY FOLD SWING 1930SMBL (GS3003-60000 to GS3007A-88079, GS3005B-76000 to GS3007B-91731) (Assemblies with Symbol Decals - USA, Canada and Australia models)	
--	115185GT	PLAT ASSY RIGID SWING 1530SMBL (GS3007A-88080 to GS3010A-109999, GS3007B-91732 to GS3009B-98941 , GS3008C-101 to GS3011C-9999) (Assemblies with Symbol Decals - USA, Canada and Australia models)		--	115191GT	PLAT ASSY FOLD SWING 1930SMBL (GS3007A-88080 to GS3010A-109999, GS3007B-91732 to GS3009B-98941 , GS3008C-101 to GS3011C-9999) (Assemblies with Symbol Decals - USA, Canada and Australia models)	
--	97098GT	PLAT ASSY RIGID CHAIN 1530SMBL (GS3003-60000 to GS3007A-88079, GS3005B-76000 to GS3007B-91731) (Assemblies with Symbol Decals - USA, Canada and Australia models)		--	97104GT	PLAT ASSY FOLD CHAIN 1930SMBL (to SN 88079) (Assemblies with Symbol Decals - USA, Canada and Australia models)	
--	115186GT	PLAT ASSY RIGID CHAIN 1530SMBL (from SN 88080 and GS3008C-101) (Assemblies with Symbol Decals - USA, Canada and Australia models)		--	115192GT	PLAT ASSY FOLD CHAIN 1930SMBL (from SN 88080 and GS3008C-101) (Assemblies with Symbol Decals - USA, Canada and Australia models)	
--	97099GT	PLAT ASSY FOLD SWING 1530SMBL (GS3003-60000 to GS3007A-88079, GS3005B-76000 to GS3007B-91731) (Assemblies with Symbol Decals - USA, Canada and Australia models)		--	97089GT	PLAT ASSY RIGID SWING 1532 CE (GS3003-60000 to GS3007A-88079, GS3005B-76000 to GS3007B-91731) (European models)	
--	115187GT	PLAT ASSY FOLD SWING 1530SMBL (GS3007A-88080 to GS3010A-109999, GS3007B-91732 to GS3009B-98941 , GS3008C-101 to GS3011C-9999) (Assemblies with Symbol Decals - USA, Canada and Australia models)		--	115193GT	PLAT ASSY RIGID SWING 1532 CE (GS3007A-88080 to GS3010A-109999, GS3007B-91732 to GS3009B-98941 , GS3008C-101 to GS3011C-9999) (European models)	
--	97100GT	PLAT ASSY FOLD CHAIN 1530SMBL (to SN 88079) (Assemblies with Symbol Decals - USA, Canada and Australia models)		--	97090GT	PLAT ASSY FOLD SWING 1532 CE (to SN 88079) (European models)	
--	115188GT	PLAT ASSY FOLD CHAIN 1530SMBL (from SN 88080 and GS3008C-101) (Assemblies with Symbol Decals - USA, Canada and Australia models)		--	115194GT	PLAT ASSY FOLD SWING 1532 CE (GS3007A-88080 to GS3010A-109999, GS3007B-91732 to GS3009B-98941 , GS3008C-101 to GS3011C-9999) (European models)	
--	97101GT	PLAT ASSY RIGID SWING 1930SMBL (GS3003-60000 to GS3007A-88079, GS3005B-76000 to GS3007B-91731) (Assemblies with Symbol Decals - USA, Canada and Australia models)		--	97091GT	PLAT ASSY RIGID SWING 1932 CE (GS3003-60000 to GS3007A-88079, GS3005B-76000 to GS3007B-91731) (European models)	
--	115189GT	PLAT ASSY RIGID SWING 1930SMBL (GS3007A-88080 to GS3010A-109999, GS3007B-91732 to GS3009B-98941 , GS3008C-101 to GS3011C-9999) (Assemblies with Symbol Decals - USA, Canada and Australia models)		--	115195GT	PLAT ASSY RIGID SWING 1932 CE (GS3007A-88080 to GS3010A-109999, GS3007B-91732 to GS3009B-98941 , GS3008C-101 to GS3011C-9999) (European models)	
--	97102GT	PLAT ASSY RIGID CHAIN 1930SMBL (to SN 88079) (Assemblies with Symbol Decals - USA, Canada and Australia models)		--	97092GT	PLAT ASSY FOLD SWING 1932 CE (GS3003-60000 to GS3007A-88079, GS3005B-76000 to GS3007B-91731) (European models)	
				--	115196GT	PLAT ASSY FOLD SWING 1932 CE (GS3007A-88080 to GS3010A-109999, GS3007B-91732 to GS3009B-98941 , GS3008C-101 to GS3011C-9999) (European models)	

401.1 Platform Components, GS-1530, GS-1532, GS-1930, GS-1932

Item	Part No.	Description	Qty.	Item	Part No.	Description	Qty.
1		Ref. Platform Control Box <i>(refer to 406.1)</i>		22	78038GT	CAP, TUBE, SQ,1.25 X .083	
2		Ref. Platform Control Box Mount Bracket <i>(refer to 406.1)</i>		23	66886GT	ENTRY SWING TUBE.....1	
3	5224GT	SCREW,HHC,3/8-16 X 2		24	66485GT	TUBE, VERT, FOLDING.....6	
4	6021GT	WASHER,LOCK, .375		25	78038GT	CAP, TUBE, SQ,1.25 X .083	
5	6002GT	NUT,LP NYLOCK,5/16-18		25	97041GT	MAIN RAIL, FOLDING, GS30.....2	
6	1259223GT	BOLT,SHS,3/8X.375X5/16-18,ZAG		26	66889-SGT	WLDMT, MAIN SIDERAIL,UPPER,LFT...1 <i>(battery pack side)</i>	
7	46260GT	FOOTPEDAL W/NON-SKID TAPE,GS**.....1		26	78038GT	CAP, TUBE, SQ,1.25 X .083	
--	47225GT	TAPE,NON-SKID,DIE CUT,1.38X1.5		27	97123GT	PLAT EXT DECK ASSY,GS30.....1	
8	96413GT	WLDMT,LOCKING ROLLER SUPPORT.....1		--	39474GT	WEAR PAD,PLATFORM.....1	
9	39470GT	PIN, LOCK.....1		--	47374GT	TAPE,NON-SKID,DIE CUT,4"X 32".....3	
10	39469GT	SPRING,COMPRESSION.485 X1.75**...1		--	T113787GT	RIVET,ALUM,STL, .188 X .250.....2 <i>for 39474</i>	
11	41630GT	HOUSING, LOCK PIN.....1		28	78038GT	CAP, TUBE, SQ,1.25 X .083	
12	6097GT	WASHER,FLAT,USS,3/8",Y		28	96336GT	WLDMT, EXT DECK LWR RAIL.....1 <i>(fold down)</i>	
13	7713GT	NUT, LP NYLOCK, 3/8-16		29A	144206GT	ASSY,DECAL PLATE,ANSI/CSA,GS32.....1 <i>(models with word decals) (GS-1530/1930 from SN GS3005A-76000 to 07A-91371; from SN GS3005B-76000 to 07B-88079)</i>	
14	84587GT	ROLLER BRACKET ASSY, GRND CNTR.....1 <i>(ground controls side)</i>		29B	96854GT	DECAL PLATE ASSY W/WORD DECALS <i>(models with word decals) (GS-30 from SN 91372)</i>	
15	21279GT	BUTTON, .800 O.D. X .281.....3		29C	84590GT	DECAL PLATE ASSY W/SYM DECALS <i>(models with symbol decals)</i>	
16	47163GT	ROLLER,PLATFORM EXTENSION.....4		30		CAP, TUBE, SQ,1.25 X .083	
17	97034GT	GS30 RIDGID MAIN SIDE SQ RAIL.....2		30	78038GT	CAP, TUBE, SQ,1.25 X .083	
18	39579GT	RIVET,STL,STL, .188 X .45.....20		30	97213GT	EXT RAIL ASSY, UPPER, GS30.....1	
19	39310GT	WEAR/GUIDE PAD MAIN PLATFORM....4		31	96246GT	WELDMENT,ROLLER BRACKET,LT***.....1	
20	39474GT	WEAR PAD,PLATFORM.....2		32	84586GT	LANYARD ROLLER BRKT ASSY W/DEC.....1	
21	97115GT	PLAT MAIN DECK ASSY,1530 ANSI.....1 <i>(ANSI, CSA models)</i>		33A	231112GT	FIXED RAILS ASSY,GS30,ANSI.....1 <i>(models with word decals) (GS-1530/1930 from SN GS3003-61513 to 05-75999; from SN GS3005A-76000 to 07A-91371; from SN GS3005B-76000 to 07B-88079)</i>	
21	97116GT	PLAT MAIN DECK ASSY,1532 CE <i>(CE models)</i>		33A	23112GT	FIXED RAILS ASSY,GS30,ANSI.....1 <i>(models with word decals) (GS-1530/1930 from SN GS3003-61513 to 05-75999; from SN GS3005A-76000 to 07A-91371; from SN GS3005B-76000 to 07B-88079)</i>	
21	97117GT	PLAT MAIN DECK ASSY,1532 AUS <i>(Australia models)</i>		33B	96844GT	FIXED RAILS ASSY,GS30 WORD <i>(models with word decals) (GS-30 from 91372)</i>	
21	97118GT	PLAT MAIN DECK ASSY,1530 SMBL <i>(models with symbol decals except CE models)</i>		33C	97132GT	FIXED RAILS ASSY, GS30 SYMBOL <i>(models with symbol decals)</i>	
21	97119GT	PLAT MAIN DECK ASSY,1930 ANSI <i>(ANSI and CSA models)</i>		34	8255GT	SCREW,HHC,3/8-16 X .75	
21	97120GT	PLAT MAIN DECK ASSY,1932 CE <i>(CE models)</i>					
21	97121GT	PLAT MAIN DECK ASSY,1932 AUS <i>(Australia models)</i>					
21	97122GT	PLAT MAIN DECK ASSY,1930 SMBL <i>(models with symbol decals except CE models)</i>					
--	47098GT	TAPE,NON-SKID,DIE CUT,4"X 40"					
--	47231GT	TAPE,NON-SKID,DIE CUT,4"X 16"					
22	66890-SGT	WLDMT, MAIN SIDERAIL,UPP,RT **.....1 <i>(ground controls side)</i>					



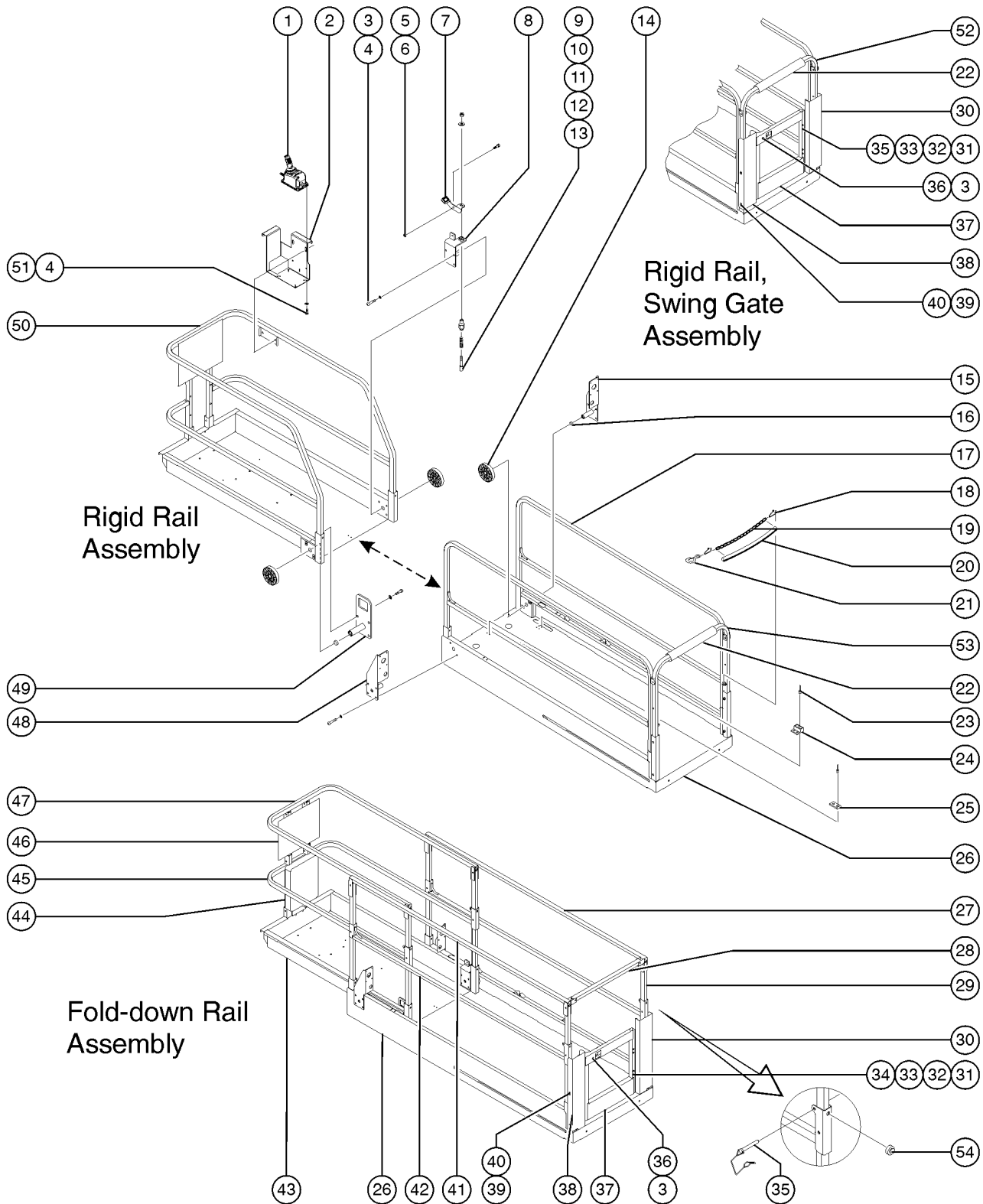
401.1 Platform Components, GS-1530, GS-1532, GS-1930, GS-1932
(continued)

Item	Part No.	Description	Qty.
35	24514GT	BOX,INSTRUCTION STORAGE <i>Europe/Asia/South America (decal required; refer to Section100)</i>	
35A	44743GT	MANUAL BOX W/DECALS***.....1 <i>USA/Canada/Australia</i>	
35B	24514GT	BOX,INSTRUCTION STORAGE <i>Europe/Asia/South America (decal required; refer to Section 100)</i>	
36	66030GT	PIN, WIRE LOCK 3/8 X 2 -1/2.....4	
36	78022GT	LANYARD,BLACK NYLON,TYPE 1*** (CE)	
37	66883-SGT	FORMING, HALF GATE HINGE <i>(ground controls side)</i>	
38	66903-SGT	WLDMT, FORMING, HALFGATE CATCH <i>(battery pack side)</i>	
39	8178GT	SCREW,HHC,3/8-16 X 2.5	
40	5397GT	WASHER,FLAT,USS,5/16",Y	

401.1 Platform Components, GS-1530, GS-1532, GS-1930, GS-1932
(continued)

This Page Intentionally Left Blank

402.1 Platform Components, GS-2032, GS-2632, GS-3232



402.1 Platform Components, GS-2032, GS-2632, GS-3232

Item	Part No.	Description	Qty.	Item	Part No.	Description	Qty.
--	97290GT	PLAT ASSY, RIGID/CHN,2032 ANSI (to SN 87723) (complete) (Assemblies with Word Decals - USA and Canada models)		--	115241GT	PLAT ASSY,FLD/SWG,2632 AUS WOR (from SN 87724 and GS3208C-101) (complete) (Australia models)	
--	115197GT	PLAT ASSY, RIGID/CHN,2032 ANSI (from SN 87724 and GS3208C-101) (complete) (Assemblies with Word Decals - USA and Canada models)		--	115242GT	PLAT ASSY,FLD/SWG,3232 AUS WO (from SN 87724 and GS3208C-101) (complete) (Assemblies with Word Decals - Australia models)	
--	97291GT	PLAT ASSY,RIGID/SWG,2032 ANSI (to SN 87723) (complete) (Assemblies with Word Decals - USA and Canada models)		--	97295GT	PLAT ASSY,RIGID/CHN,2032 ANSI (to SN 87723) (complete) (Assemblies with Symbol Decals - USA, Canada and Australia models)	
--	115198GT	PLAT ASSY,RIGID/SWG,2032 ANSI (from SN 87724 and GS3208C-101) (complete) (Assemblies with Word Decals - USA and Canada models)		--	115243GT	PLAT ASSY,RIGID/CHN,2032 ANSI (from SN 87724 and GS3208C-101) (complete) (Assemblies with Symbol Decals - USA, Canada and Australia models)	
--	97292GT	PLAT ASSY,FLD/CHN,2032 ANSI WO (to SN 87723) (complete) (Assemblies with Word Decals - USA and Canada models)		--	97296GT	PLAT ASSY,RIGID/SWG, 2032 ANSI (to SN 87723) (complete) (Assemblies with Symbol Decals - USA, Canada and Australia models)	
--	115199GT	PLAT ASSY,FLD/CHN,2032 ANSI WO (from SN 87724 and GS3208C-101) (complete) (Assemblies with Word Decals - USA and Canada models)		--	115244GT	PLAT ASSY,RIGID/SWG, 2032 ANSI (from SN 87724 and GS3208C-101) (complete) (Assemblies with Symbol Decals - USA, Canada and Australia models)	
--	97293GT	PLAT ASSY,FLD/SWG,2032 ANSI WO (to SN 87723) (complete) (Assemblies with Word Decals - USA and Canada models)		--	97297GT	PLAT ASSY,FLD/CHN,2032 ANSI SY (to SN 87723) (complete) (Assemblies with Symbol Decals - USA, Canada and Australia models)	
--	115236GT	PLAT ASSY,FLD/SWG,2032 ANSI WO (from SN 87724 and GS3208C-101) (complete) (Assemblies with Word Decals - USA and Canada models)		--	115245GT	PLAT ASSY,FLD/CHN,2032 ANSI SY (from SN 87724 and GS3208C-101) (complete) (Assemblies with Symbol Decals - USA, Canada and Australia models)	
--	97294GT	PLAT ASSY,FLD/SWG,2632 ANSI WO (to SN 87723) (complete) (Assemblies with Word Decals - USA and Canada models)		--	97298GT	PLAT ASSY,FLD/SWG,2032 ANSI SY (to SN 87723) (complete) (Assemblies with Symbol Decals - USA, Canada and Australia models)	
--	115237GT	PLAT ASSY,FLD/SWG,2632 ANSI WO (from SN 87724 and GS3208C-101) (complete) (Assemblies with Word Decals - USA and Canada models)		--	115246GT	PLAT ASSY,FLD/SWG,2032 ANSI SY (from SN 87724 and GS3208C-101) (complete) (Assemblies with Symbol Decals - USA, Canada and Australia models)	
--	115238GT	PLAT ASSY,FLD/SWG,3232 ANSI WO (from SN 87724 and GS3208C-101) (complete) (Assemblies with Word Decals - USA and Canada models)		--	97299GT	PLAT ASSY,FLD/SWG,2632 ANSI SY (to SN 87723) (complete) (Assemblies with Symbol Decals - USA, Canada and Australia models)	
--	97302GT	PLAT ASSY,RIGID/SWG, 2032 AUS (to SN 87723) (complete) (word, Australia models)		--	115247GT	PLAT ASSY,FLD/SWG,2632 ANSI SY (from SN 87724 and GS3208C-101) (complete) (Assemblies with Symbol Decals - USA, Canada and Australia models)	
--	115239GT	PLAT ASSY,RIGID/SWG, 2032 AUS (from SN 87724 and GS3208C-101) (complete) (word, Australia models)		--	115248GT	PLAT ASSY,FLD/SWG,3232 SYMBOLS (from SN 87724 and GS3208C-101) (complete) (Assemblies with Symbol Decals - Asia and S. America models)	
--	97303GT	PLAT ASSY,FLD/SWG, 2032 AUS WO (to SN 87723) (complete) (Australia models)					
--	115240GT	PLAT ASSY,FLD/SWG, 2032 AUS WO (from SN 87724 and GS3208C-101) (complete) (Australia models)					
--	97304GT	PLAT ASSY,FLD/SWG,2632 AUS WOR (to SN 87723) (complete) (Australia models)					

402.1 Platform Components, GS-2032, GS-2632, GS-3232
(continued)

Item	Part No.	Description	Qty.	Item	Part No.	Description	Qty.
--	97300GT	PLAT ASSY,FLD/SWG,2032 CE SYMB (to SN 87723) (complete) (European models)		24	39310GT	WEAR/GUIDE PAD MAIN PLATFORM....4	
--	115249GT	PLAT ASSY,FLD/SWG,2032 CE SYMB (from SN 87724 and GS3208C-101) (complete) (European models)		25	39474GT	WEAR PAD,PLATFORM.....2	
--	97301GT	PLAT ASSY,FLD/SWG 2632 CE SYMB (to SN 87723) (complete) (European models)		26	84674GT	MAIN DECK ASSY, GS2032 WORD.....1 (models with word decals)	
--	115250GT	PLAT ASSY,FLD/SWG 2632 CE SYMB (from SN 87724 and GS3208C-101) (complete) (European models)		26A	84675GT	MAIN DECK ASSY, GS2032 SYMBOL (models with symbol decals)	
--	115251GT	PLAT ASSY,FLD/SWG 3232 CE SYMB (from SN 87724 and GS3208C-101) (complete) (Assemblies with Symbols Decals - European models)		26B	84676GT	MAIN DECK ASSY, GS2032 CE SYMB (CE models)	
1		Ref. Platform Control Box (refer to 406.1)		26C	97284GT	MAIN DECK ASSY, GS2032 AU WORD (Australia models)	
2		Ref. Platform Control Box Mount (refer to 406.1)		26D	84677GT	MAIN DECK ASSY, GS2632 WORD (models with word decals)	
3	5224GT	SCREW,HHC,3/8-16 X 2		26E	84678GT	MAIN DECK ASSY, GS2632 SYMBOL (models with symbol decals)	
4	6021GT	WASHER,LOCK,.375		26F	84679GT	MAIN DECK ASSY, GS2632 CE SYMB (CE models)	
5	6002GT	NUT,LP NYLOCK,5/16-18		26G	97285GT	MAIN DECK ASSY, GS2632 AU WORD (Australia models)	
6	1259223GT	BOLT,SHS,3/8X.375X5/16-18,ZAG		26H	105999GT	MAIN DECK ASSY,GS3232,WORD	
7	46260GT	FOOTPEDAL W/NON-SKID TAPE,GS**.....1		26I	144000GT	MAIN DECK ASSY,GS3232,SYMBOL	
--	47225GT	TAPE,NON-SKID,DIE CUT,1.38X1.5		26J	144001GT	MAIN DECK ASSY,GS3232,CE SYMB	
8	96413GT	WLDMT,LOCKING ROLLER SUPPORT.....1		26K	144002GT	MAIN DECK ASSY,GS3232,AU WORD	
9	39470GT	PIN, LOCK.....1		--	47098GT	TAPE,NON-SKID,DIE CUT,4"X 40"	
10	39469GT	SPRING,COMPRESSION.485 X1.75**...1		--	47231GT	TAPE,NON-SKID,DIE CUT,4"X 16"	
11	41630GT	HOUSING, LOCK PIN.....1		--	47374GT	TAPE,NON-SKID,DIE CUT,4"X 32"	
12	6097GT	WASHER,FLAT,USS,3/8",Y		27	78038GT	CAP, TUBE, SQ,1.25 X .083	
13	7713GT	NUT, LP NYLOCK, 3/8-16		27	84685GT	MAIN FLDG RAIL ASSY,UPR RT,32.....1 (ground controls side)	
14	47163GT	ROLLER,PLATFORM EXTENSION.....4		--	78038GT	CAP, TUBE, SQ,1.25 X .083	
15	84587GT	ROLLER BRACKET ASSY, GRND CNTR.....1 (ground controls side)		28	105057GT	TUBE, ENTRY SWING, GS32.....1	
16	21279GT	BUTTON, .800 O.D. X .281.....3		29	66485GT	TUBE, VERT, FOLDING.....6	
17	97044GT	MAIN RAIL RIGID, SQ GS32.....2		30	105004GT	FORMING, HALF GATE, HINGE.....1 (ground controls side)	
18	97305GT	CHAIN GATE ASSY, COM GS32.....1 (GS-2032)		31	4266GT	SCREW,HHC,1/4-20 X 2	
--	96163GT	LINK,(SPLIT) OPEN-END.....2		32	6638GT	WASHER,FLAT,USS,1/4"Y	
19	39509GT	CHAIN,3/16,OPEN LINK 22.5".....1		33	104804GT	HINGE, SPRING, LONG LEG.....2	
20	47224GT	TUBING,PVC,1",BLACK***21-inches		34	6091GT	NUT,NYLOCK,1/4-20	
21	39510GT	RIGID EYE SNAP.....1		35	66030GT	PIN, WIRE LOCK 3/8 X 2 -1/2.....4	
22	47188GT	FOAM,CLOSED CELL 1.75X.250X18"		35	78022GT	LANYARD,BLACK NYLON,TYPE 1*** (CE models)	
--	28443GT	CABLE TIE,11.5" BLACK		--	78022GT	LANYARD,BLACK NYLON,TYPE 1*** (CE models)	
23	39579GT	RIVET,STL,STL,.188 X .45.....20		36	4828GT	NUT,NYLOCK,3/8-16	
				37A	97110GT	SWING GATE ASSY,GS30/32** (Assemblies with Word and Symbol Decals - USA, Canada and Australia models)	
				37B	84690GT	SWING GATE ASSY,GS32,COMPLETE (complete) (Assemblies with Word and Symbol Decals - USA, Canada and Australia models)	

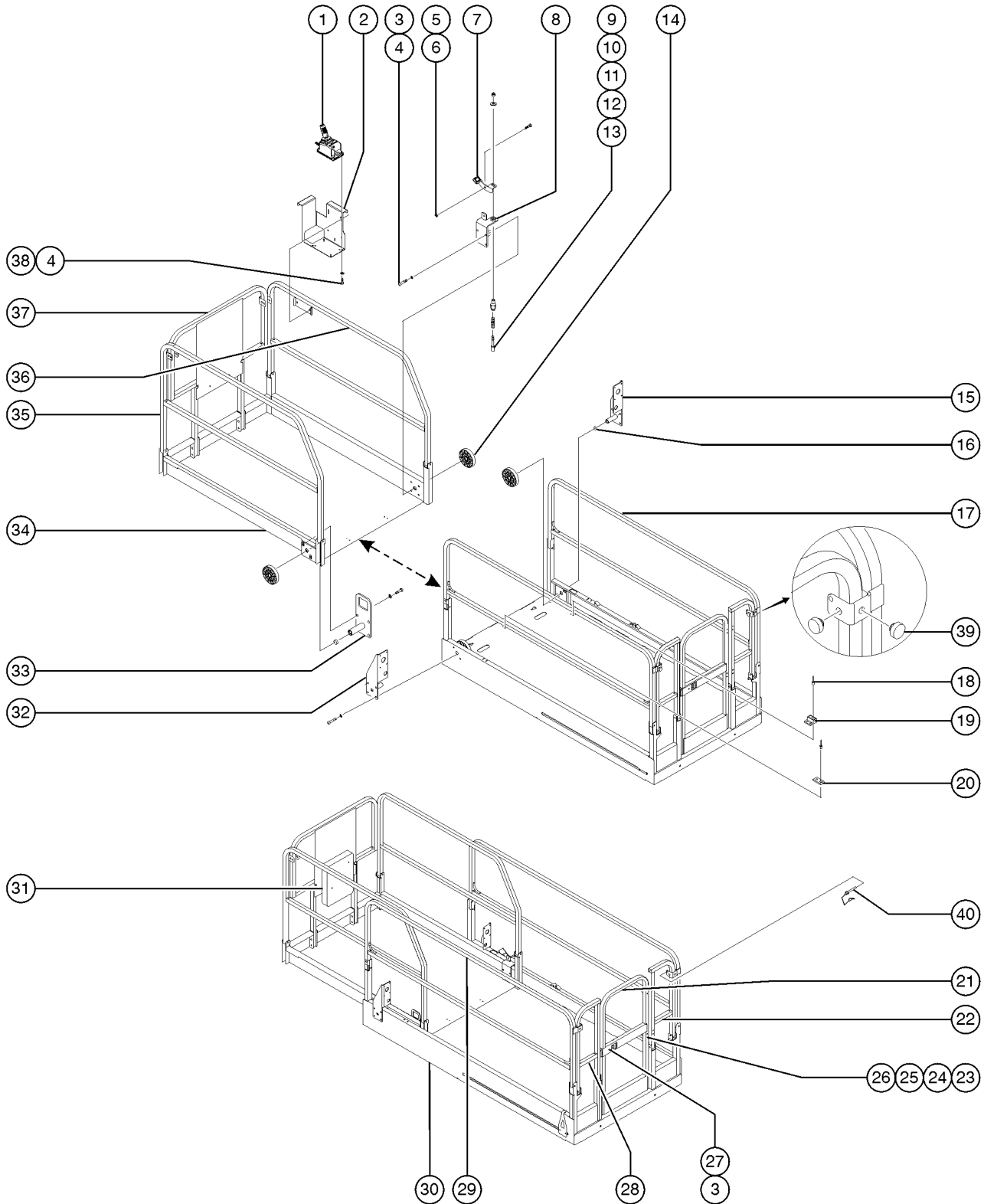


402.1 Platform Components, GS-2032, GS-2632, GS-3232
(continued)

Item	Part No.	Description	Qty.	Item	Part No.	Description	Qty.
37C	97286GT	SWING GATE ASSY, GS2032 CE (Assemblies with Symbol Decals - European models)		46A	144206GT	ASSY,DECAL PLATE,ANSI/CSA,GS32.....1 (models with word decals) (GS-1530/1930 from SN GS3005A-76000 to 07A-91371; from SN GS3005B-76000 to 07B-88079) (GS-2032/2632 from SN GS3204-75407 to 07-87723) (GS-3232 from SN GS3207-84867 to 07-87723)	
37D	84682GT	SWING GATE ASSY, GS2032 CESYMB (complete) (Assemblies with Symbol Decals - European models)		46A	96854GT	DECAL PLATE ASSY W/WORD DECALS (models with word decals) (GS-30 from SN 91372) (GS-32 from SN 87724)	
37E	84697GT	SWING GATE ASSY, GS2632 CE SYM (complete) (Assemblies with Symbol Decals - European models)		46B	84590GT	DECAL PLATE ASSY W/SYM DECALS (fold down models with symbol decals)	
37F	97287GT	SWING GATE ASSY, GS2632 CE IND (models with CE symbol decals; Assemblies with Symbol Decals - European models)		47	84686GT	EXT FLDG RAIL ASSY,UPR,32,WO**.....1 (Assemblies with Word Decals - USA, Canada and Australia models) (fold-down)	
37G	65990-SGT	KIT,GATE LATCH (includes items 13 and 14; Assemblies with Symbol Decals - European models)		47A	84687GT	EXT FLDG RAIL ASSY, UPR, 32, S (Assemblies with Symbol Decals - European models) (fold-down)	
--	22446GT	SPRING,COMPRESSION .835 X 2.....1 included in kit 65990-S		47B	78038GT	CAP, TUBE, SQ,1.25 X .083	
--	66544GT	LATCH HANDLE.....1 included in kit 65990-S		48	96246GT	WELDMENT,ROLLER BRACKET,LT***.....1	
38	105099GT	WLDT, HALF GATE CATCH, GS32.....1 (battery pack side)		49	84586GT	LANYARD ROLLER BRKT ASSY W/DEC.....1	
39	8178GT	SCREW,HHC,3/8-16 X 2.5		50	84689GT	EXT RIGID RAIL ASSY, GS32 SYMB (models with symbol decals)	
40	5397GT	WASHER,FLAT,USS,5/16",Y		50A	144204GT	ASSY,EXT. RIGID RAIL,GS32,WORD.....1 (models with word decals) (GS-2032/2632 from SN GS3204-75407 to 07-87723) (GS-3232 from SN GS3207-84867 to 07-87723)	
41	78038GT	CAP, TUBE, SQ,1.25 X .083		50A	84688GT	EXT. RIGID RAIL ASSY,GS32 WOR (models with word decals) (from SN 87724)	
41	84684GT	MAIN FLDG RAIL ASSY,UPR L,GS32....1 (battery pack side) (fold-down)		--	84688GT	EXT. RIGID RAIL ASSY,GS32 WOR (models with word decals) (from SN 87724)	
42	78038GT	CAP, TUBE, SQ,1.25 X .083		50B	84689GT	EXT RIGID RAIL ASSY, GS32 SYMB (models with symbol decals)	
42	84683GT	MAIN FLDG RAIL ASSY, LWR, GS32.....2 (fold-down)		51	8255GT	SCREW,HHC,3/8-16 X .75	
43	84680GT	EXT. DECK ASSY, GS32.....1 (ANSI and CSA models)		52	105146GT	FORMING,SG HEADER RAIL,GS2032...1	
43	84681GT	EXT. DECK ASSY, GS32 CE (CE models)		53	105093GT	WELDMENT, CHAIN GATE.....1	
--	39474GT	WEAR PAD,PLATFORM.....1		54	43392GT	BUMPER,BATTERY BOX & RAILS.....4	
--	47231GT	TAPE,NON-SKID,DIE CUT,4"X 16".....1					
--	47374GT	TAPE,NON-SKID,DIE CUT,4"X 32".....3					
--	84681GT	EXT. DECK ASSY, GS32 CE (CE models)					
--	T113787GT	RIVET,ALUM,STL,.188 X .250.....2 for 39474					
44A	44743GT	MANUAL BOX W/DECALS***.....1 USA/Canada/Australia					
44B	24514GT	BOX,INSTRUCTION STORAGE Europe/Asia/South America (decal required; refer to Section100)					
45	105023GT	WLDMT, LOWER EXT RAIL.....1					
45	78038GT	CAP, TUBE, SQ,1.25 X .083					



403.1 Platform Components, GS-2046, GS-2646, GS-3246



403.1 Platform Components, GS-2046, GS-2646, GS-3246

Item	Part No.	Description	Qty.	Item	Part No.	Description	Qty.
--	84516GT	PLATFORM ASSY,GS2046,ANSI&CSA (to SN 87508) (Assemblies with Word Decals - USA and Canada models) (complete)		--	115260GT	PLATFORM ASSY,GS3246,CE SYM (from SN 87509 and GS4609C-101) (Assemblies with Symbol Decals - European models) (complete)	
--	115252GT	PLATFORM ASSY,GS2046,ANSI&CSA (from SN 87509 and GS4609C-101) (Assemblies with Word Decals - USA and Canada models)		--	84522GT	PLATFORM ASSY,GS2046,ANSI SYM (to SN 87508) (USA, Canada and Australia models) (complete)	
--	84517GT	PLATFORM ASSY,GS2646,ANSI&CSA (to SN 87508) (Assemblies with Word Decals - USA and Canada models) (complete)		--	115261GT	PLATFORM ASSY,GS2046,ANSI SYM (from SN 87509 and GS4609C-101) (USA, Canada and Australia models) (complete)	
--	115253GT	PLATFORM ASSY,GS2646,ANSI&CSA (from SN 87509 and GS4609C-101) (Assemblies with Word Decals - USA and Canada models) (complete)		--	84523GT	PLATFORM ASSY,GS2646,ANSI SYM (to SN 87508) (Assemblies with Symbol Decals - USA, Canada and Australia models) (complete)	
--	84518GT	PLATFORM ASSY,GS3246,ANSI&CSA (to SN 87508) (Assemblies with Word Decals - USA and Canada models) (complete)		--	115262GT	PLATFORM ASSY,GS2646,ANSI SYM (from SN 87509 and GS4609C-101) (Assemblies with Symbol Decals - USA, Canada and Australia models) (complete)	
--	115254GT	PLATFORM ASSY,GS3246,ANSI&CSA (from SN 87509 and GS4609C-101) (Assemblies with Word Decals - USA and Canada models) (complete)		--	84524GT	PLATFORM ASSY,GS3246,ANSI SYM (to SN 87508) (Assemblies with Symbol Decals - USA, Canada and Australia models) (complete)	
--	84519GT	PLATFORM ASSY,GS2046,AUS (to SN 87508) (complete)		--	115263GT	PLATFORM ASSY,GS3246,ANSI SYM (from SN 87509 and GS4609C-101) (Assemblies with Symbol Decals - USA, Canada and Australia models) (complete)	
--	115255GT	PLATFORM ASSY,GS2046,AUS (from SN 87509 and GS4609C-101) (complete)		1		Ref. Platform Control Box (refer to 406.1)	
--	84520GT	PLATFORM ASSY,GS2646,AUS (to SN 87508) (complete)		2		Ref. Platform Control Box Mount Bracket (refer to 406.1)	
--	115256GT	PLATFORM ASSY,GS2646,AUS (from SN 87509 and GS4609C-101) (complete)		3	5224GT	SCREW,HHC,3/8-16 X 2	
--	84521GT	PLATFORM ASSY,GS3246,AUS (to SN 87508) (complete)		4	6021GT	WASHER,LOCK,.375	
--	115257GT	PLATFORM ASSY,GS3246,AUS (from SN 87509 and GS4609C-101) (complete)		5	6002GT	NUT,LP NYLOCK,5/16-18	
--	84567GT	PLATFORM ASSY,GS2046,CE SYM (to SN 87508) (European models) (complete)		6	1259223GT	BOLT,SHS,3/8X.375X5/16-18,ZAG	
--	115258GT	PLATFORM ASSY,GS2046,CE SYM (from SN 87509 and GS4609C-101) (European models) (complete)		7	46260GT	FOOTPEDAL W/NON-SKID TAPE,GS**.....1	
--	84568GT	PLATFORM ASSY,GS2646,CE SYM (to SN 87508) (Assemblies with Symbol Decals - European models) (complete)		--	47225GT	TAPE,NON-SKID,DIE CUT,1.38X1.5	
--	115259GT	PLATFORM ASSY,GS2646,CE SYM (from SN 87509 and GS4609C-101) (Assemblies with Symbol Decals - European models) (complete)		8	96413GT	WLDMT,LOCKING ROLLER SUPPORT.....1	
--	84569GT	PLATFORM ASSY,GS3246,CE SYM (to SN 87508) (Assemblies with Symbol Decals - European models) (complete)		9	39470GT	PIN, LOCK.....1	
				10	39469GT	SPRING,COMPRESSION.485 X1.75**...1	
				11	41630GT	HOUSING, LOCK PIN.....1	
				12	6097GT	WASHER,FLAT,USS,3/8",Y	
				13	7713GT	NUT, LP NYLOCK, 3/8-16	
				14	47163GT	ROLLER,PLATFORM EXTENSION.....4	
				15	84587GT	ROLLER BRACKET ASSY, GRND CNTR.....1 (ground controls side)	
				16	21279GT	BUTTON, .800 O.D. X .281.....3	
				17	82052-SGT	RAIL-GS46 PLAT,MAINDECK RT****1 (ground controls side)	



403.1 Platform Components, GS-2046, GS-2646, GS-3246
(continued)

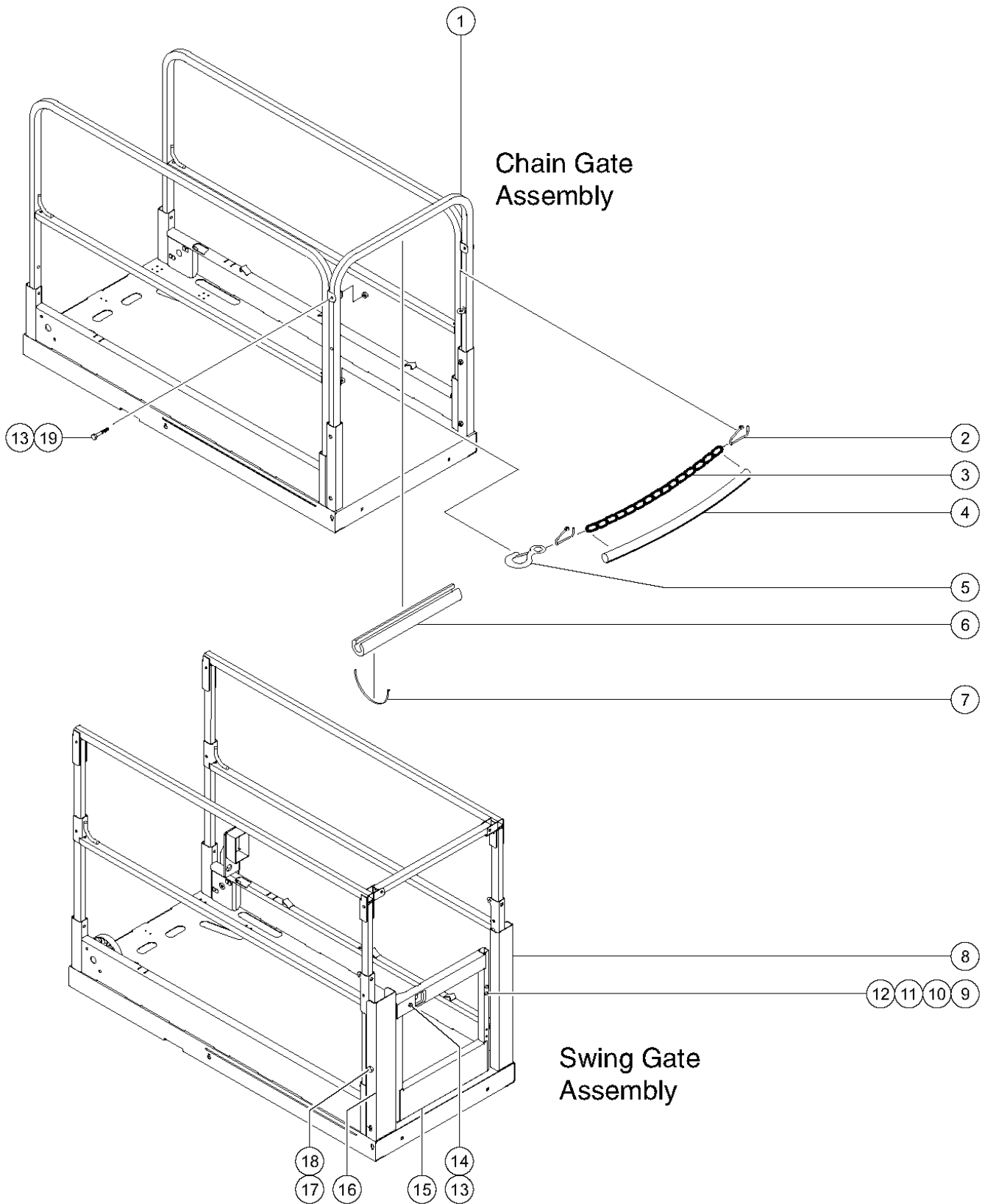
Item	Part No.	Description	Qty.	Item	Part No.	Description	Qty.
18	39579GT	RIVET,STL,STL,.188 X .45.....	20	--	97253GT	MAIN DECK ASSY, 2646 (SYMBOL) <i>(models with symbol decals)</i>	
19	39310GT	WEAR/GUIDE PAD MAIN PLATFORM....	4	--	97254GT	MAIN DECK ASSY, 2646, CE <i>(CE models)</i>	
20	39474GT	WEAR PAD,PLATFORM.....	3	--	97255GT	MAIN DECK ASSY, 3246 (WORD) <i>(models with word decals)</i>	
21A	97242GT	SWING GATE ASSY, GS46 WELD <i>(Assemblies with Word and Symbol Decals - USA, Canada and Australia models)</i>		--	97256GT	MAIN DECK ASSY, 3246 (SYMBOL) <i>(models with symbol decals)</i>	
21B	97281GT	SWING GATE ASSY, GS2046,CE SYM <i>(Assemblies with Symbol Decals - European models)</i>		--	97257GT	MAIN DECK ASSY, 3246, CE <i>(CE models)</i>	
21C	97282GT	SWING GATE ASSY,GS2646, CE SYM <i>(Assemblies with Symbol Decals - European models)</i>		--	47098GT	TAPE,NON-SKID,DIE CUT,4"X 40".....	5
21D	97283GT	SWING GATE ASSY,GS3246, CE SYM <i>(Assemblies with Symbol Decals - European models)</i>		--	47231GT	TAPE,NON-SKID,DIE CUT,4"X 16".....	5
21E	97262GT	SWING GATE ASSY,GS2046,CE SYMB <i>(Assemblies with Symbol Decals - European models)</i>		--	47374GT	TAPE,NON-SKID,DIE CUT,4"X 32".....	7
21F	97273GT	SWING GATE ASSY,GS2646 CE SYMB <i>(Assemblies with Symbol Decals - European models)</i>		31A	44743GT	MANUAL BOX W/DECALS*** <i>USA/Canada/Australia</i>	1
21G	97274GT	SWING GATE ASSY, 3246 CE SYMB <i>(Assemblies with Symbol Decals - European models)</i>		31B	24514GT	BOX,INSTRUCTION STORAGE <i>Europe/Asia/South America (decals required; refer to Section100)</i>	
21H	65990-SGT	KIT,GATE LATCH <i>(includes items 3 and 27; Assemblies with Symbol Decals - European models)</i>		32	96246GT	WELDMENT,ROLLER BRACKET,LT***.....	1
--	22446GT	SPRING,COMPRESSION .835 X 2..... <i>included in kit 65990-S</i>	1	33	84586GT	LANYARD ROLLER BRKT ASSY W/DEC.....	1
--	66544GT	LATCH HANDLE..... <i>included in kit 65990-S</i>	1	34	97258GT	EXT. DECK ASSY, GS46.....	1
22	66923GT	WLDMT, ENTRY SIDERAIL, RT..... <i>(ground controls side)</i>	1	--	39474GT	WEAR PAD,PLATFORM.....	2
22	78038GT	CAP, TUBE, SQ,1.25 X .083		--	47374GT	TAPE,NON-SKID,DIE CUT,4"X 32".....	7
23	4266GT	SCREW,HHC,1/4-20 X 2		--	T113787GT	RIVET,ALUM,STL,.188 X .250..... <i>for 39474</i>	4
24	6638GT	WASHER,FLAT,USS,1/4"Y		35	97263GT	LEFT EX. RAIL, GS46.....	1
25	104804GT	HINGE, SPRING, LONG LEG.....	2	36	97264GT	RIGHT EXT RAIL, GS46 (SYMBOL) <i>(models with symbol decals)</i>	
26	6091GT	NUT,NYLOCK,1/4-20		36	97265GT	RIGHT EXT. RAIL, GS46 (WORD)..... <i>(models with word decals) (ground controls side)</i>	1
27	4828GT	NUT,NYLOCK,3/8-16		36A	97264GT	RIGHT EXT RAIL, GS46 (SYMBOL) <i>(models with symbol decals) (ground controls side)</i>	
28	66920GT	WLDMT, ENTRY SIDERAIL, LT..... <i>(battery pack side)</i>	1	37	97259GT	EXT. ENDRAIL ASSY, GS46 (WORD)..... <i>(models with word decals)</i>	1
28	78038GT	CAP, TUBE, SQ,1.25 X .083		37A	97260GT	EXT. ENDRAIL ASSY, GS46 (SYMB) <i>(models with symbol decals)</i>	
29	82053-SGT	RAIL-GS46 PLAT,MAINDECK LT****..... <i>(battery pack side)</i>	1	38	8255GT	SCREW,HHC,3/8-16 X .75	
30	97249GT	MAIN DECK ASSY, 2046 (WORD)..... <i>(models with word decals)</i>	1	39	43392GT	BUMPER,BATTERY BOX & RAILS.....	14
--	97250GT	MAIN DECK ASSY, 2046 (SYMBOL) <i>(models with symbol decals)</i>		40	66030GT	PIN, WIRE LOCK 3/8 X 2 -1/2	
--	97251GT	MAIN DECK ASSY, 2046, CE <i>(CE models)</i>		40	78022GT	LANYARD,BLACK NYLON,TYPE 1*** <i>(CE models)</i>	
--	97252GT	MAIN DECK ASSY, 2646 (WORD) <i>(models with word decals)</i>					



403.1 Platform Components, GS-2046, GS-2646, GS-3246
(continued)

This Page Intentionally Left Blank

404.1 Platform Gates, GS-1530, GS-1532, GS-1930, GS-1932

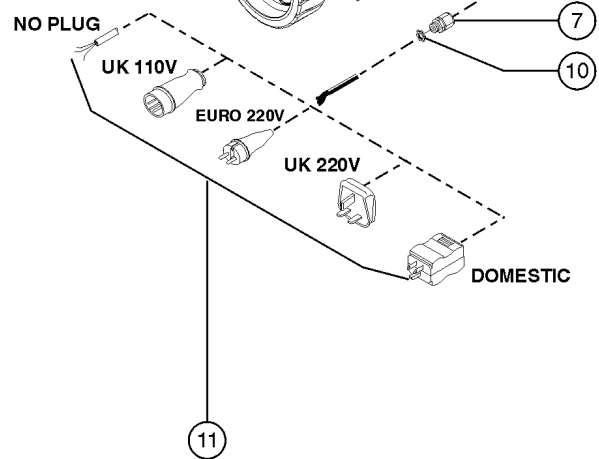
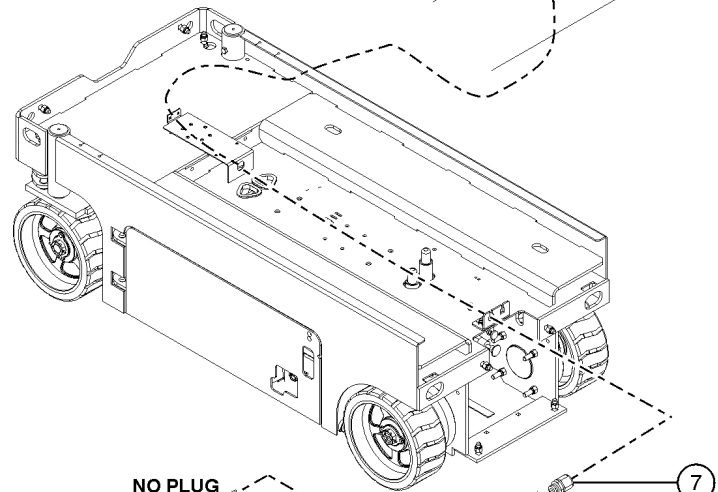
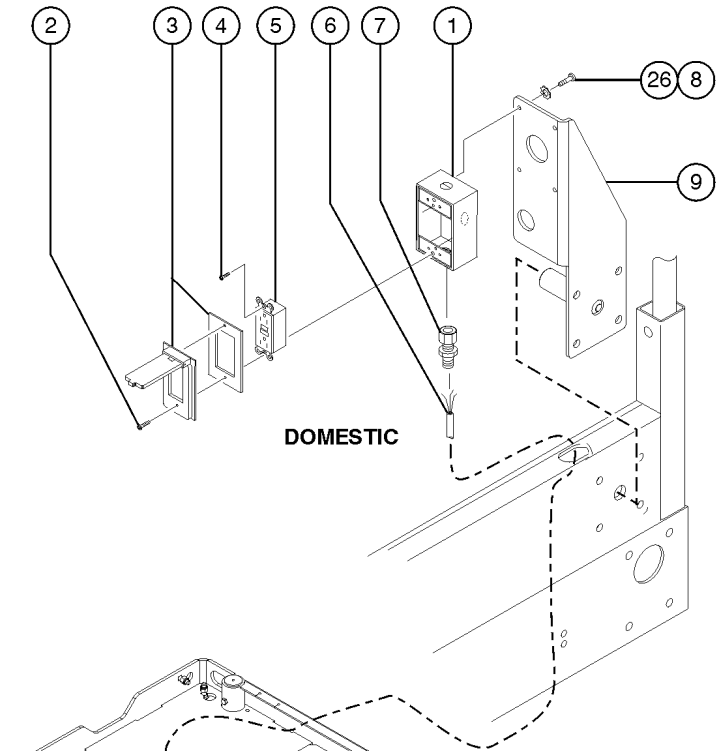
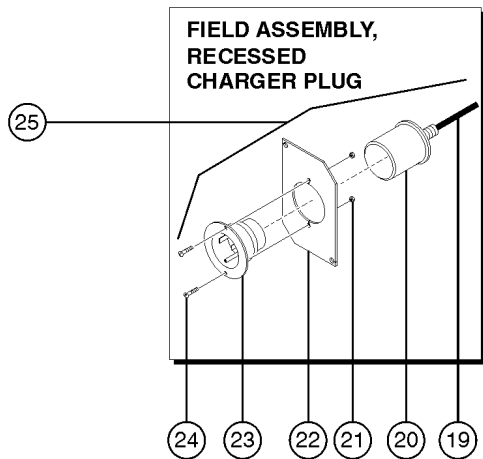
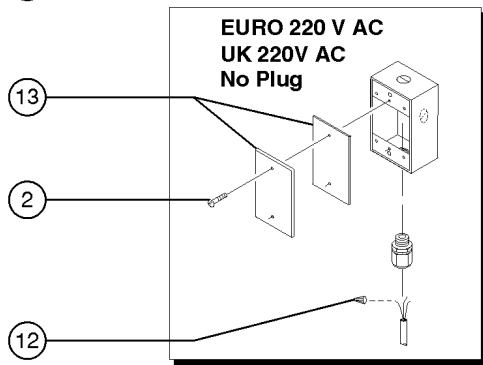
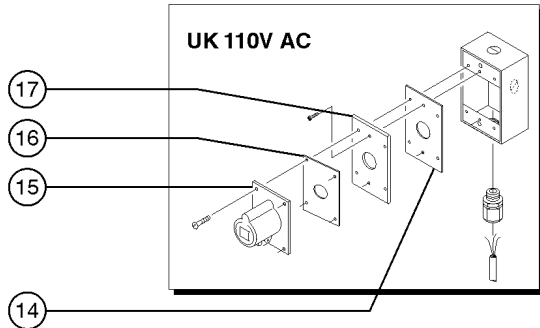
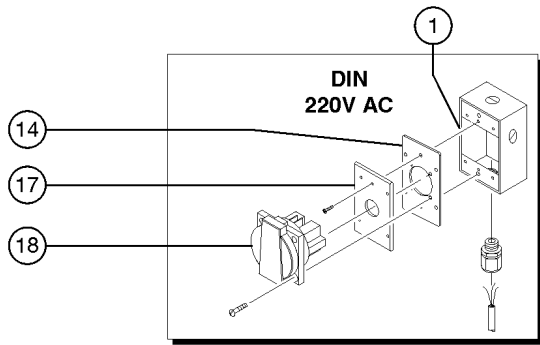


404.1 Platform Gates, GS-1530, GS-1532, GS-1930, GS-1932

Item	Part No.	Description	Qty.	Item	Part No.	Description	Qty.
--	97280GT	CHAIN GATE KIT,GS30 <i>(ANSI and CSA models) (includes item 1)</i>		--	4828GT	NUT,NYLOCK,3/8-16.....1 <i>included in kit 65990-S</i>	1
--	97275GT	SWING GATE KIT,GS30 <i>(ANSI, CSA, Australia models)</i>		--	5224GT	SCREW,HHC,3/8-16 X 2.....1 <i>included in kit 65990-S</i>	1
--	144175GT	KIT,MINI FULL HT,ANSI GATE <i>(ANSI and CSA models) (field installation kit)</i>		--	66544GT	LATCH HANDLE.....1 <i>included in kit 65990-S</i>	1
--	97276GT	SWING GATE KIT,1532 CE <i>(CE models)</i>		16	66903-SGT	WLDMT, FORMING, HALFGATE CATCH.....1 <i>(CE Models with Symbol Decals)</i>	1
--	97277GT	SWING GATE KIT,1932 CE <i>(CE models)</i>		17	8178GT	SCREW,HHC,3/8-16 X 2.5 <i>(CE Models with Symbol Decals)</i>	
--	97278GT	SWING GATE KIT,1530 CE INDOORS <i>(CE Indoor models)</i>		18	5397GT	WASHER,FLAT,USS,5/16",Y <i>(CE Models with Symbol Decals)</i>	
--	97279GT	SWING GATE KIT,1930 CE INDOORS <i>(CE, Indoor models)</i>		19	7713GT	NUT, LP NYLOCK, 3/8-16 <i>(CE Models with Symbol Decals)</i>	
1	97105GT	PLAT ENTRY ASSY,RIGID GS30.....1	1				
1A	78029GT	END RAIL,SWING GATE,RIGID					
2	96163GT	LINK,(SPLIT) OPEN-END.....2	2				
3	39509GT	CHAIN,3/16,OPEN LINK 22.5".....1	1				
4	47224GT	TUBING,PVC,1",BLACK***21-inches					
5	39510GT	RIGID EYE SNAP.....1	1				
6	47188GT	FOAM,CLOSED CELL 1.75X.250X18"....1	1				
7	28443GT	CABLE TIE,11.5" BLACK					
8	66883GT	FORMING, HALF GATE HINGE.....1	1				
9	4266GT	SCREW,HHC,1/4-20 X 2					
10	6638GT	WASHER,FLAT,USS,1/4"Y					
11	6091GT	NUT,NYLOCK,1/4-20					
12	104804GT	HINGE, SPRING, LONG LEG.....2	2				
13	5224GT	SCREW,HHC,3/8-16 X 2					
14	4828GT	NUT,NYLOCK,3/8-16					
15A	97110GT	SWING GATE ASSY,GS30/32** <i>(Assemblies with Word and Symbol Decals - USA, Canada and Australia models)</i>					
15B	97111GT	SWING GATE ASSY,1532 CE <i>(Assemblies with Symbol Decals - European models)</i>					
15C	97288GT	SWING GATE ASSY,1530 CE INDOOR <i>(Assemblies with Symbol Decals - European models)</i>					
15D	97112GT	SWING GATE ASSY,1932 CE <i>(Assemblies with Symbol Decals - European models)</i>					
15E	97289GT	SWING GATE ASSY,1930 CE INDOOR <i>(Assemblies with Symbol Decals - European models)</i>					
15F	65990-SGT	KIT,GATE LATCH <i>(all models)</i>					
--	22446GT	SPRING,COMPRESSION .835 X 2.....1 <i>included in kit 65990-S</i>	1				



405.1 Power to Platform

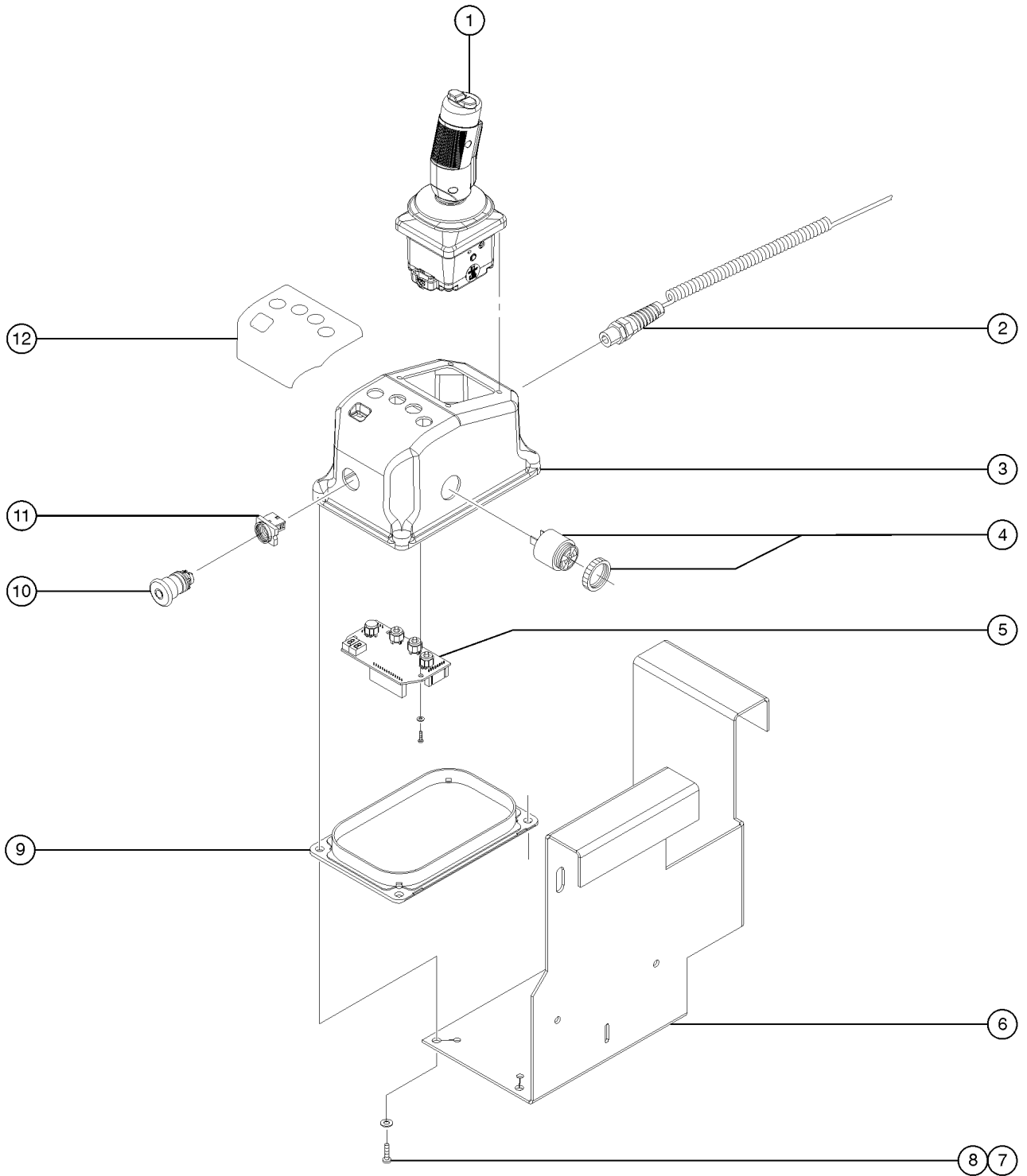


405.1 Power to Platform

Item	Part No.	Description	Qty.	Item	Part No.	Description	Qty.
--	33724GT	KIT,GASKET,UK POWER TO PLAT. <i>(includes one each item 14 and 16)</i>		17B	105090GT	PLATE, AC ADAPTER(AUS)	
1	10775GT	T-BOX,2.75 X 4.5 X 2.0.....1	1	18	66353GT	RECEPTACLE, DIN, 220V 50A.....1	1
2	7127GT	SCREW,PHILLIPS,PHM,6-32 X .75		19	48282GT	POWER CORD, IEC 320 BLANK, 79".....1	1
3	74006GT	COVER,GFCI,HORIZONTAL,WEATHER.1 <i>(ANSI and CSA models) (includes gasket and mounting fasteners)</i>		20	105118GT	GASKET,(BOOT) FLANGE INLET PLG.....1	1
4	45546GT	SCREW,RHM,6-32 X .5		21	18605GT	NUT,NYLOCK,8-32.....2	2
5	13585GT	OUTLET, 110V.....1 <i>(ANSI and CSA models)</i>	1	22	105483-SGT	PLATE,AC ADAPTER(ANSI/CSA).....1	1
6A	43956GT	WIRE CABLE,14/3 CON.TPE JKT*.....264-inches <i>GS-1530, GS-1532</i>		--	6091GT	NUT,NYLOCK,1/4-20.....2 <i>not included</i>	2
6B	43956GT	WIRE CABLE,14/3 CON.TPE JKT*.....364-inches <i>GS-1930, GS-1932</i>		--	6878GT	BOLT,CARRIAGE,1/4-20 X .75,G2.....2 <i>not included</i>	2
6C	43956GT	WIRE CABLE,14/3 CON.TPE JKT*.....456-inches <i>GS-2032, GS-2046</i>		23	105117GT	PLUG,FLG INLET,15A/125V,2PWGD.....1	1
6D	43956GT	WIRE CABLE,14/3 CON.TPE JKT*.....516-inches <i>GS-2632, GS-2646</i>		24	55906GT	SCREW,PHILLIPS,PHM,8-32 X .5.....2	2
6E	43956GT	WIRE CABLE,14/3 CON.TPE JKT*.....624-inches <i>GS-3232, GS-3246</i>		25	105448GT	FIELD ASSY,REC.CHARGER PLUG.....1 <i>(includes item numbers 19-24)</i>	1
7	7056GT	CONN,SQUEEZE,1/2NPT .38-.50,SM....1		26	44936GT	WASHER,STAR,EXTERNAL,#8.....4	4
8	57075GT	SCREW,PHIL,8-32X.50,SELF TAP					
9		Ref. Roller Bracket <i>(refer to 401.1 through 403.1)</i>					
10	6935GT	LOCKNUT,ELEC,1/2".....1	1				
11	6595GT	PLUG,ELECTRICAL,DOMESTIC.....1	1				
--		Ref. No Plug (consult factory) <i>(component no longer available) refer to BS1362 BUSS TDC180-13A</i>					
--	105117GT	PLUG,FLG INLET,15A/125V,2PWGD					
--	105118GT	GASKET,(BOOT) FLANGE INLET PLG					
--	1280665GT	PLUG, TYPE F, 230A, 50HZ, 16A, IP44					
--	144161GT	PLUG,PWR,UK,16AMP,3PIN,BLK					
--	25388GT	PLUG,FUSED,250V,13AMP,U.K.**					
12	6626GT	WIRE CAP,ORANGE.....1	1				
13	10777GT	COVER,BLANK.....1	1				
14	66355GT	GASKET, UK & DIN PWR. TO PLAT.....1 <i>4.6 x 2.9 inches</i>	1				
15	T112563GT	SVC KIT,UK RECEPT.REPLACEMENT.....1	1				
16	66356GT	GASKET, UK RECEPTACLE.....1 <i>2.9 x 2.9 inches</i>	1				
17	105483GT	PLATE,AC ADAPTER(ANSI/CSA)					
17A	96236GT	PLATE,AC ADAPTER,DIN/UK***.....1	1				



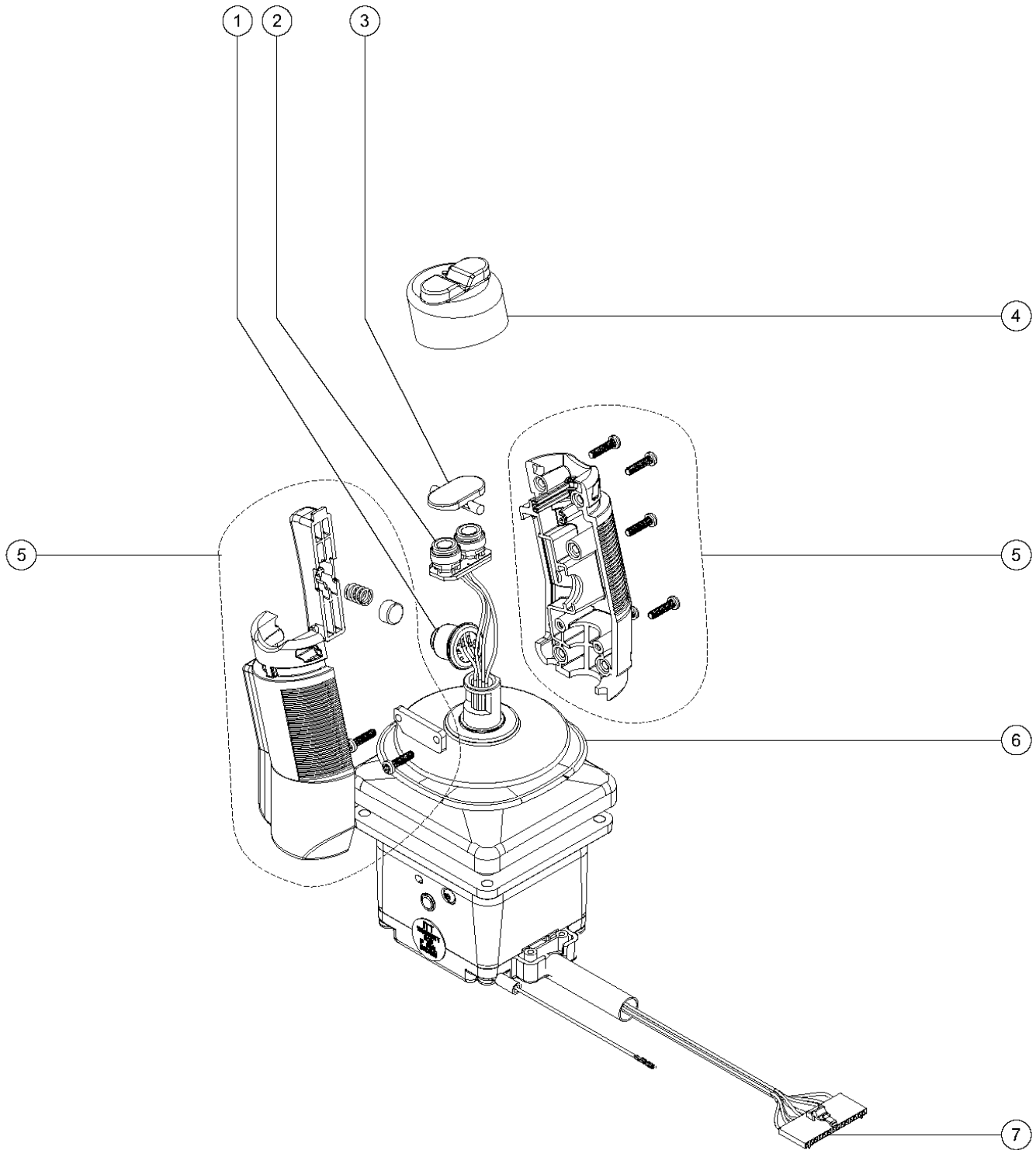
406.1 Platform Control Box



406.1 Platform Control Box

Item	Part No.	Description	Qty.
--	100840GT	PLATFORM CONTROL BOX GEN 5 (does not include item 6)	
--		Ref. Control Cable Assembly (refer to 211.1)	
--	1288153GT	KIT,PLATFORM CONTROL GUARD,GEN5,GS	
1		Ref. Joystick Controller (refer to 407.1)	
2	144065GT	KIT,GEN 5 COIL CORD.....1 (kit, includes connector, coil cord, instructions, dielectric grease and cable tie; see below)	
3	100998GT	ENCLOSURE GEN 5.....1	
4	62164GT	ALARM ASSY,12VDC,ITT,4 PIN****1 Does not include 72326 nut	
--	72326GT	NUT - PLASTIC,RING FOR ALARMS	
5	109503GT	PLAT CONTROL CIRCT BRD ASSY G5.....1	
--	105662GT	CLEAR SWITCH ACTUATOR	
--	T108044GT	CLEAR SWITCH ACTUATOR(QTY 10)	
6	105990GT	FORMING,PLATFORM CONTROL BOX.....1	
7	6090GT	SCREW,HHC,1/4-20 X .75.....1	
8	6356GT	WASHER,LOCK,.25	
9	100999GT	COVER BOTTOM GEN 5	
10	66812GT	BUTTON,PUSH,RED MUSHROOM HEAD.....1	
11	66817GT	BASE WITH 1 NC CONTACT, E-STOP...1	
--	66818GT	CONTACT, N.C.	
12		Ref. Platform Control Panel Decal (refer to 101.1, 102.1, 103.1, 104.1, 105.1, 106.1 and 107.1)	

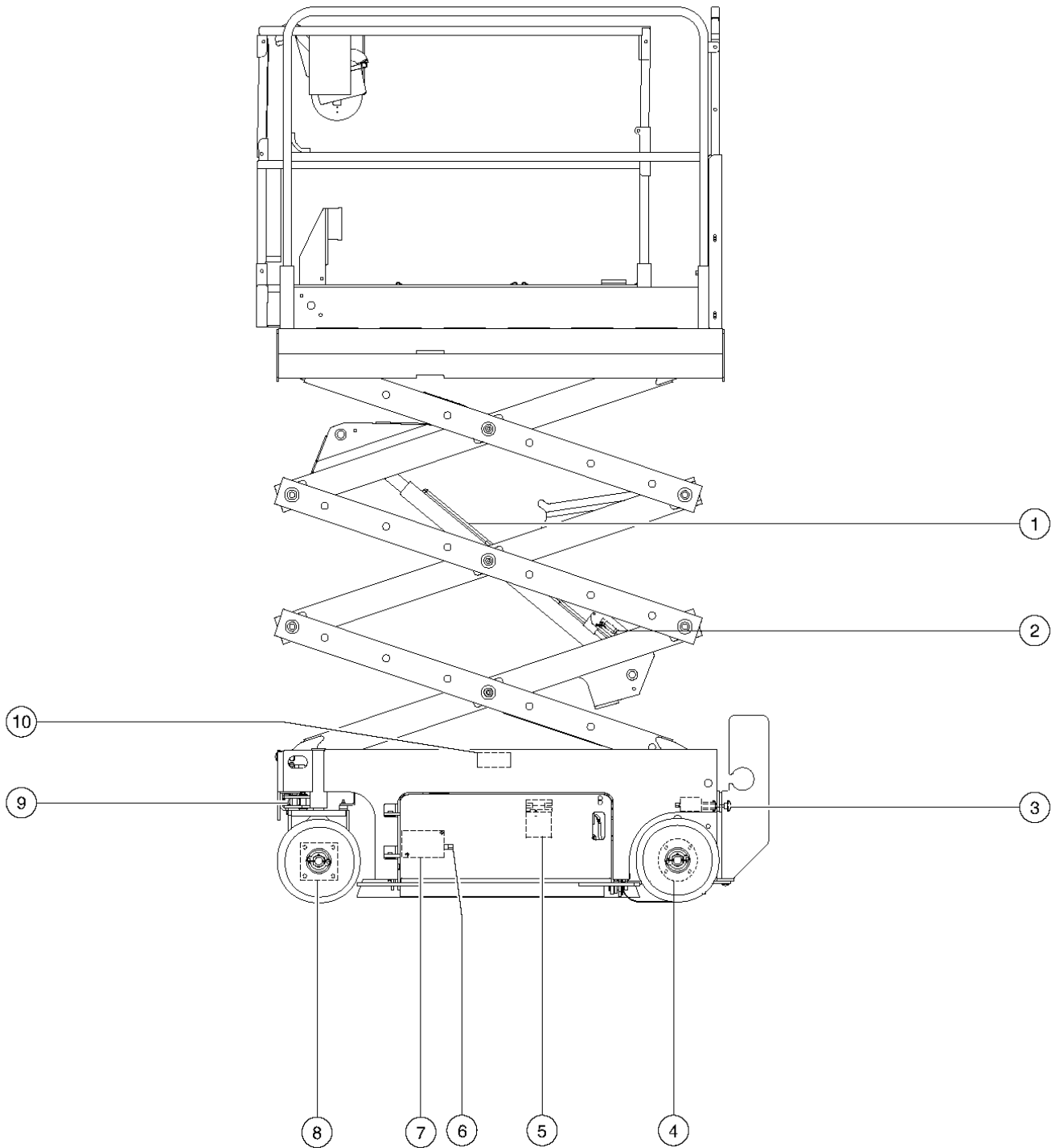
407.1 Joystick Controller



407.1 Joystick Controller

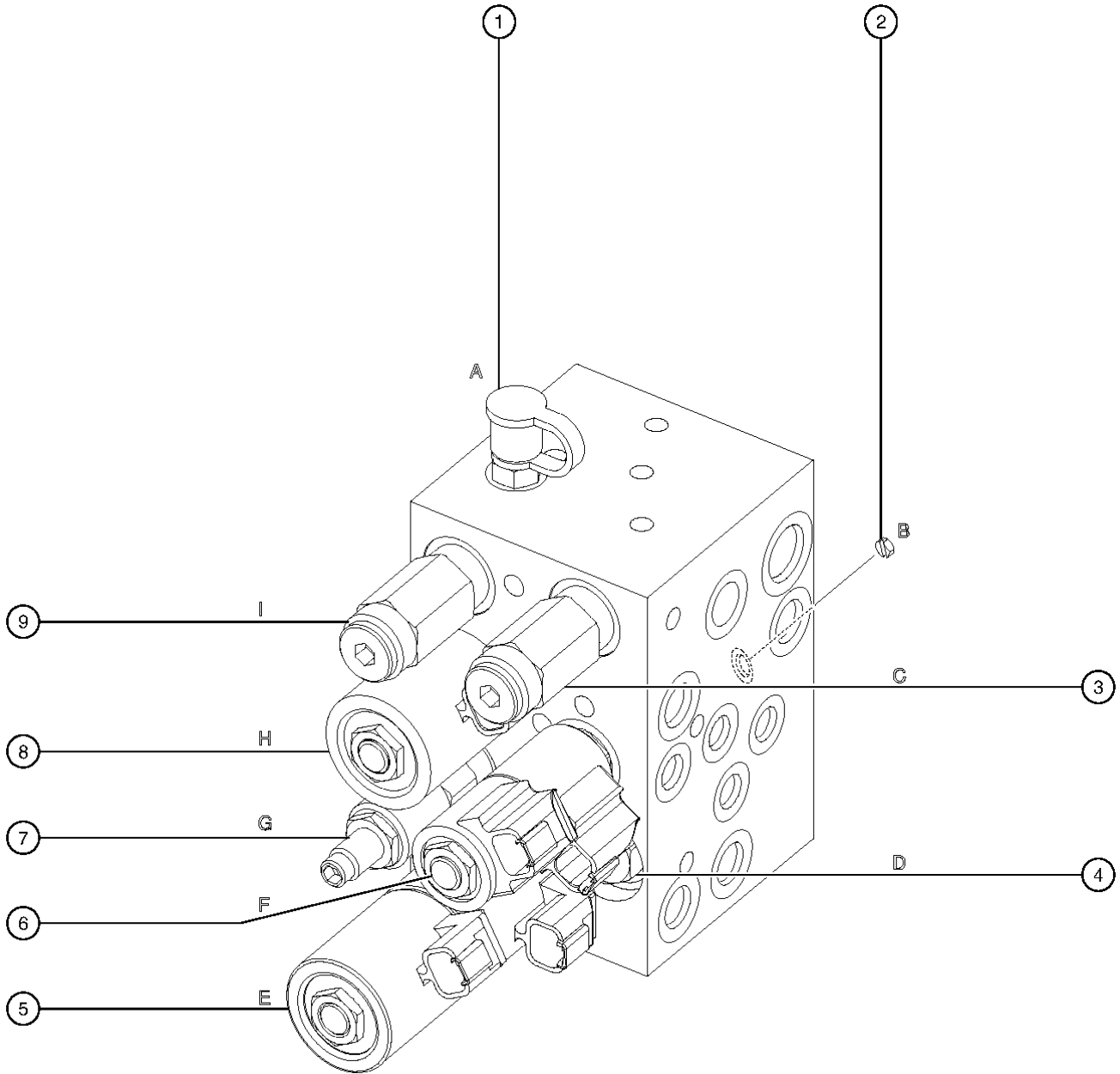
Item	Part No.	Description	Qty.
--	78903GT	JOYSTICK,SINGL AXIS,HALL,SLAB* <i>OEM joystick</i>	
--	1277997GT	KIT,JOYSTICK REPAIR (78903H) <i>for 78903H (includes 2 handle halves, top cap, rocker switch, enable switch gasket and fasteners)</i>	
--	78903HGT	JOYSTICK,SINGL AXIS,POT,SLAB <i>aftermarket joystick</i>	
1	105171GT	KIT,JOYSTICK ENABLE SWITCH.....	1
2	105115GT	KIT,JOYSTICK STEER SWITCH.....	1
3	150157GT	JOYSTIC HANDLE/SWITCH KIT..... <i>(for joystick assembly 604038P) (inspect decal on joystick housing)</i>	1
--	105109GT	TURN SWITCH ACTUATOR,JOYSTICK** <i>(for all joysticks except 604038P)</i>	
4	97015GT	BOOT,THUMB ROCKER***	1
5	97014GT	JOYSTICK HANDLE SET, COMPLETE.....	1
		<i>(for all joysticks except 604038P)</i>	
6	97013GT	BOOT, JOYSTICK~.....	1
7	105172GT	KIT, PLATFORM PC RECEIPT/SOC.....	1

501.1 Hydraulic Components



Item	Part No.	Description	Qty.
1		Ref. Lift Cylinder Assembly (refer to 506.1)	
2		Ref. Adjustable Pressure Switch (refer to 701.1 or 702.1)	
3		Ref. Brake Release Hand Pump Manifold (refer to 504.1)	
4	96257GT	BRAKE, HYDRAULIC***.....2 (no seal kits available)	
5	78622GT	FILTER ASSY,SAE8,10 MIC,PAPR**.....1	
--	44207GT	FILTER ELEMENT,BETA(10)=200 (fiberglass, optional upgrade)	
--	44788GT	FILTER ELEMENT,10MICRON,PAPER* (paper, standard)	
6		Ref. Check Valve Manifold (refer to 502.2)	
7		Ref. Function Manifold (refer to 502.1 or 503.1)	
8	96388GT	MOTOR,HYDRAULIC,530,14.0CU.IN*....2 GS-30	
8	96417GT	DRIVE MOTOR,18.3 CU. IN/REV GS-32, GS-46	
--	96419GT	SEAL KIT,RC SERIES DR MOTOR*** (for 96388 and 96417)	
9	105547GT	CYLINDER,GS/GR STEER***1	
--	105550GT	KIT,STEER CYL SEAL (from SN GS3007A-88642, GS3007B-83785, GS3008C-101, GS3207-84485, GS3208C-101, GS4607-83692, and GS4609C-101)	
--	105553GT	KIT,STEER CYL SEAL,040271P,HDM (for code H408147 and up)	
--	105554GT	KIT,STEER CYL SEAL,040499P,HDM (for code H41109 and up)	
--	105555GT	KIT,STEER CYL SEAL,040505P,HDM (for codes H41205, H41255, H51290, H501111, H505109, H509101, H60723 and H60870)	
--	84387GT	SEAL KIT,STEER CYLINDER(96077) (for non "H" code cylinders only) (to SN GS3007A-88641, GS3007B-83784, GS3207-84484, GS4607-83692)	
10	78422GT	ACCUMULATOR,180 PSI PRECHARGE*.....1	

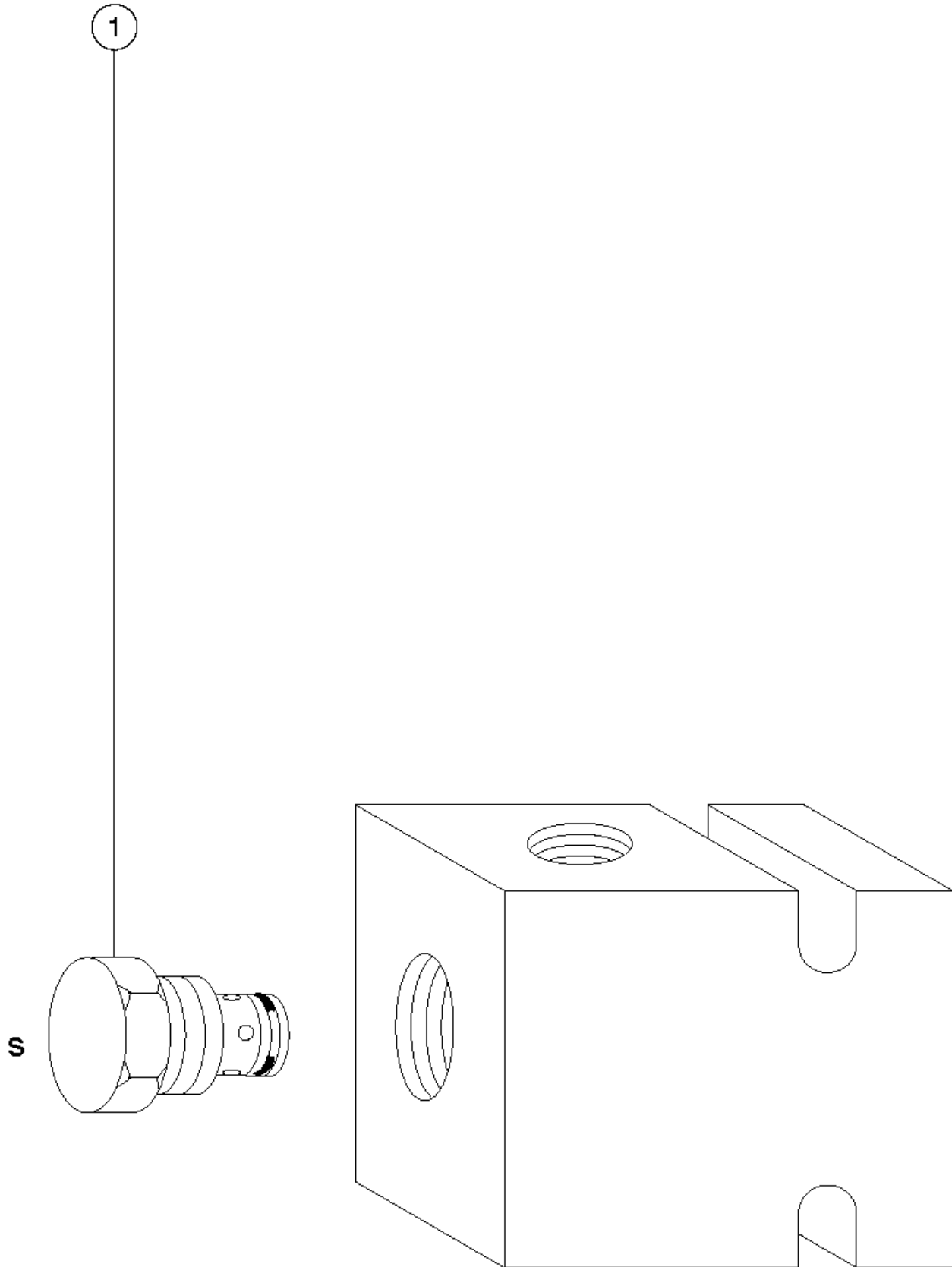
502.1 Function Manifold, GS-1530, GS-1532, GS-1930, GS-1932



502.1 Function Manifold, GS-1530, GS-1532, GS-1930, GS-1932

Item	Part No.	Description	Qty.	Item	Part No.	Description	Qty.
--	105462GT	KIT,DYN.BRAKING MANIF,MINI (to SN GS3005A-76491 and to GS3005B-76084) (manifold, complete)		9	65962GT	VALVE-RELIEF, 3700 PSI #8** (I, System relief)	
--	105304GT	MANIFOLD,FUNCTION*** (from SN GS3005A-76492, GS3005B-76085 and GS3008C-101) (manifold, complete)		--	44226GT	SEAL KIT-FOR P.N.44167	
--	49612GT	O-RING KIT (ORFS FITTINGS)					
--	49613GT	PLUG AND CAP KIT-SERVICE,ORFS*					
1	48997GT	NIPPLE,DIAGNOSTIC,#4 (A, Testing)					
--	20224GT	DIAGNOSTIC FEMALE Q-DSCNT (pressure gauge not included)					
--	48880GT	CAP,DIAGNOSTIC NIPPLE					
2	84386GT	CHECK DISK, NO SPRING (B, Steer circuit)					
3	65962GT	VALVE-RELIEF, 3700 PSI #8** (C, Lift relief)					
--	44226GT	SEAL KIT-FOR P.N.44167					
4	46216GT	VALVE,CHECK,IWP-S/CWP PWR ASSI (D, Drive circuit)					
--	44227GT	SEAL KIT, VALVE					
5	105457GT	KIT,DYN BRAKING VALVE,MINI (to SN GS3005A-76491 and to GS3005B-76084) (E, Drive forward/reverse)					
--	105303GT	VALVE, DYN. BRAKING, GS30** (from SN GS3005A-76492, GS3005B-76085, and GS3008C-101) (E, Drive forward/reverse)					
--	44174GT	NUT-COIL SHORT					
--	44230GT	SEAL KIT-P.N.44169,44172,44171					
--	84385GT	COIL,20VDC DEUTCSH W/DIODE (sold separately)					
6	44168GT	VALVE,SOLENOID,3POS 4WAY (F, Steer left/right)					
--	44174GT	NUT-COIL SHORT					
--	44229GT	SEAL KIT, VALVE					
--	77709GT	COIL,#8 20VDC,DEUTSCH W/DIOD (sold separately)					
7	84384GT	PRTY,FLOW CNTRL VALVE,.75 GPM (G, Steer circuit)					
--	1261888GT	SEAL KIT (84384) for 84384					
8	44169GT	VALVE-SOLENOID, 2POS 4 WAY (H, Platform up)					
--	44174GT	NUT-COIL SHORT					
--	44230GT	SEAL KIT-P.N.44169,44172,44171					
--	84385GT	COIL,20VDC DEUTCSH W/DIODE (sold separately)					

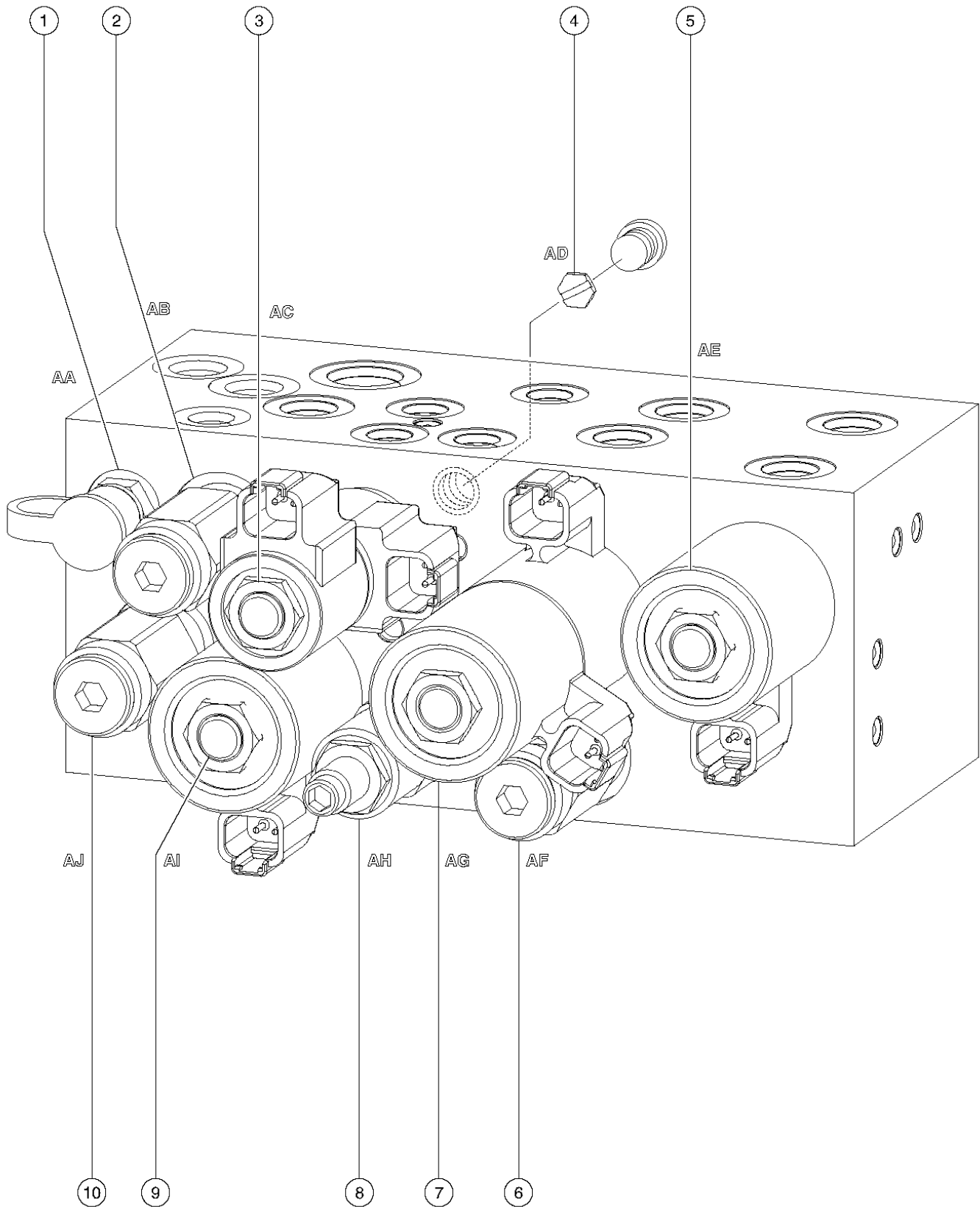
502.2 Check Valve Manifold, GS-1530, GS-1532, GS-1930, GS-1932



502.2 Check Valve Manifold, GS-1530, GS-1532, GS-1930, GS-1932

Item	Part No.	Description	Qty.
--	105164GT	KIT,MANIFOLD,200 PSI CV,MINI	
--	105167GT	ACCESSORY,MINI CHK VAL MANIF	
1	105165GT	MANIFOLD,200 PSI CHECK VALVE (S, Drive circuit)	

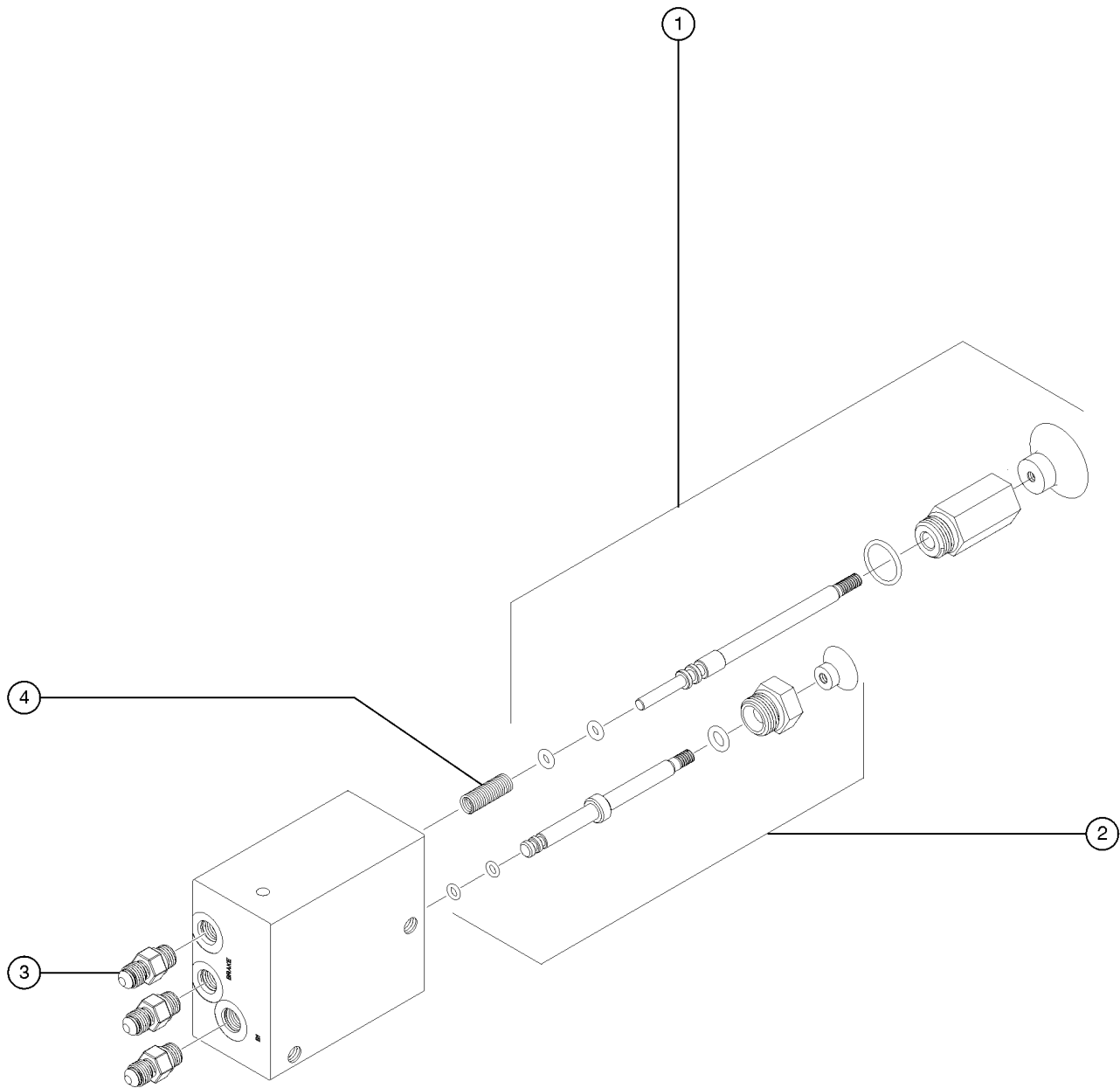
503.1 Function Manifold, GS-2032, GS-2632, GS-2046, GS2646, GS-3232, GS-3246



503.1 Function Manifold, GS-2032, GS-2632, GS-2046, GS2646, GS-3232, GS-3246

Item	Part No.	Description	Qty.	Item	Part No.	Description	Qty.
--	105463GT	126,DYN.BRAKING,MANIF,32/46		10	65962GT	VALVE-RELIEF, 3700 PSI #8** (AJ, Lift relief)	
--	150105GT	MANIFOLD,FUNCTION,2 SPEED		--	44226GT	SEAL KIT-FOR P.N.44167	
--	49612GT	O-RING KIT (ORFS FITTINGS)					
--	49613GT	PLUG AND CAP KIT-SERVICE,ORFS*					
1	48997GT	NIPPLE,DIAGNOSTIC,#4 (AA, Testing)					
--	20224GT	DIAGNOSTIC FEMALE Q-DSCNT					
--	48880GT	CAP,DIAGNOSTIC NIPPLE					
2	65962GT	VALVE-RELIEF, 3700 PSI #8** (AB, System relief)					
--	44226GT	SEAL KIT-FOR P.N.44167					
3	44168GT	VALVE,SOLENOID,3POS 4WAY (AC, Steer left/right)					
--	44174GT	NUT-COIL SHORT (sold separately)					
--	44229GT	SEAL KIT, VALVE					
--	44236GT	SPACER-DUAL COIL,#8*** (sold separately)					
--	77709GT	COIL,#8 20VDC,DEUTSCH W/DIOD (sold separately)					
4	84386GT	CHECK DISK, NO SPRING (AD, Steer circuit)					
5	44171GT	VALVE-SOLENOID,2POS 4WAY** (AE, Drive speed select circuit)					
--	44175GT	SPACER-DUAL COIL,#10, SCISSORS (sold separately)					
--	44230GT	SEAL KIT-P.N.44169,44172,44171					
--	84385GT	COIL,20VDC DEUTCSH W/DIODE (sold separately)					
6	97409GT	VALVE,DIFF.AREA RELIEF,50PSI (AF, Brake release)					
7	150104GT	VALVE, DYN. BRAKING, GS32/46 (from SN GS3206-80132, GS3208C-101, GS4606-79028, and GS4609C-101 (AG, Drive forward/reverse)					
--	44175GT	SPACER-DUAL COIL,#10, SCISSORS (sold separately)					
--	84385GT	COIL,20VDC DEUTCSH W/DIODE (sold separately)					
8	84384GT	PRTY,FLOW CNTRL VALVE,.75 GPM (AH, Steer circuit)					
--	1261888GT	SEAL KIT (84384) for 84384					
9	44169GT	VALVE-SOLENOID, 2POS 4 WAY (AI, Platform up)					
--	44175GT	SPACER-DUAL COIL,#10, SCISSORS (sold separately)					
--	44230GT	SEAL KIT-P.N.44169,44172,44171					
--	84385GT	COIL,20VDC DEUTCSH W/DIODE (sold separately)					

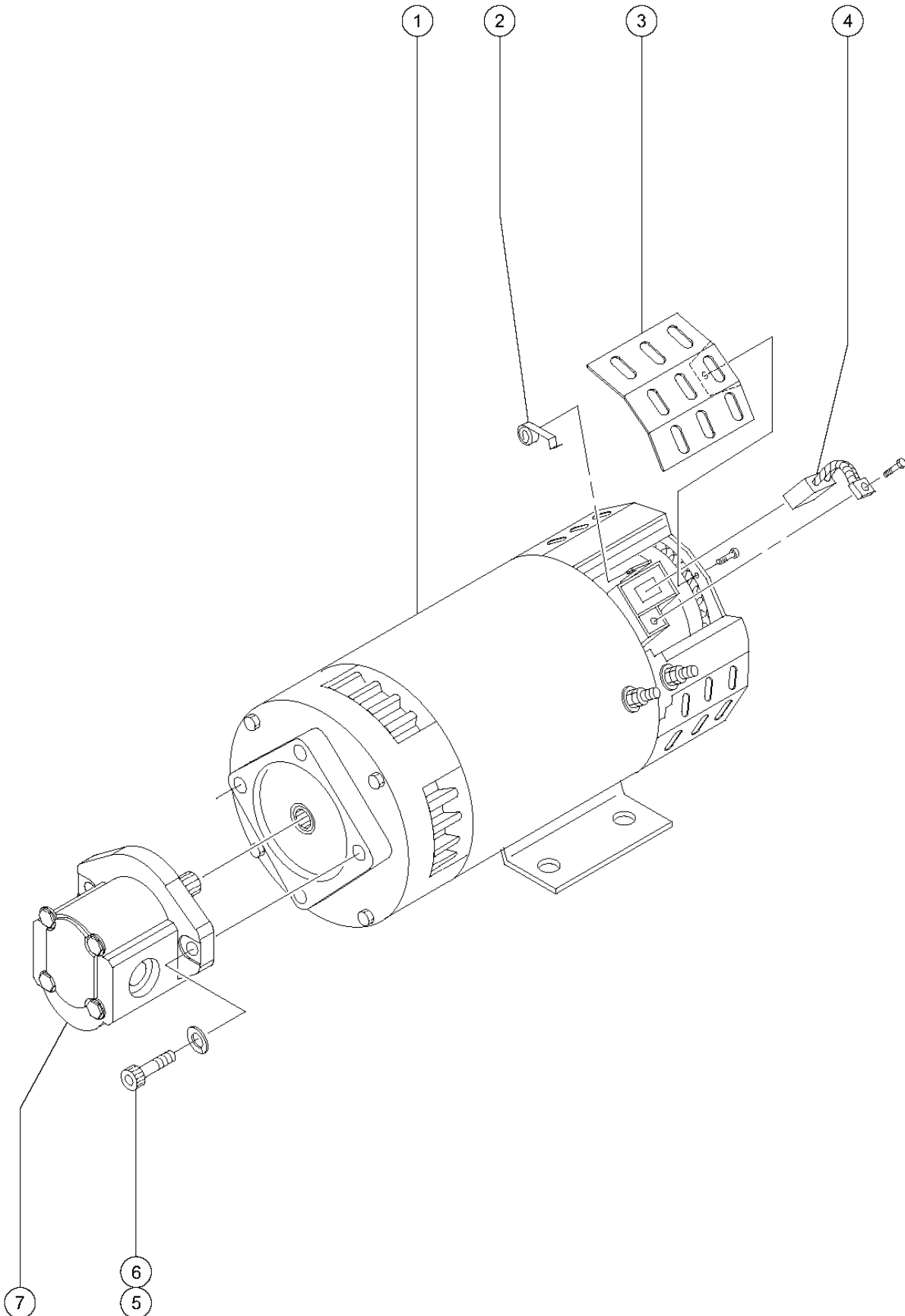
504.1 Brake Release Hand Pump Manifold



504.1 Brake Release Hand Pump Manifold

Item	Part No.	Description	Qty.
--	105067GT	MANIFOLD,BRAKE RELEASE <i>(includes items 1, 2 and 4)</i>	
1	84739GT	VALVE,HAND PUMP ASSEMBLY***.....1	1
--	84740GT	SEAL KIT,HAND PUMP***	
--	84742GT	KNOB,HAND PUMP (RED)***	
2	84743GT	VALVE,PILOT OPERATED ASSEMBLY*.....1	1
--	84740GT	SEAL KIT,HAND PUMP***	
--	84743GT	VALVE,PILOT OPERATED ASSEMBLY* <i>(no longer available, use 84743)</i>	
--	84746GT	KNOB,PILOT OP VALVE (BLACK)***	
3	39877GT	CONNECTOR,070120-4-4.....3	3
4	84748GT	SPRING,HAND PUMP ROD.....1	1

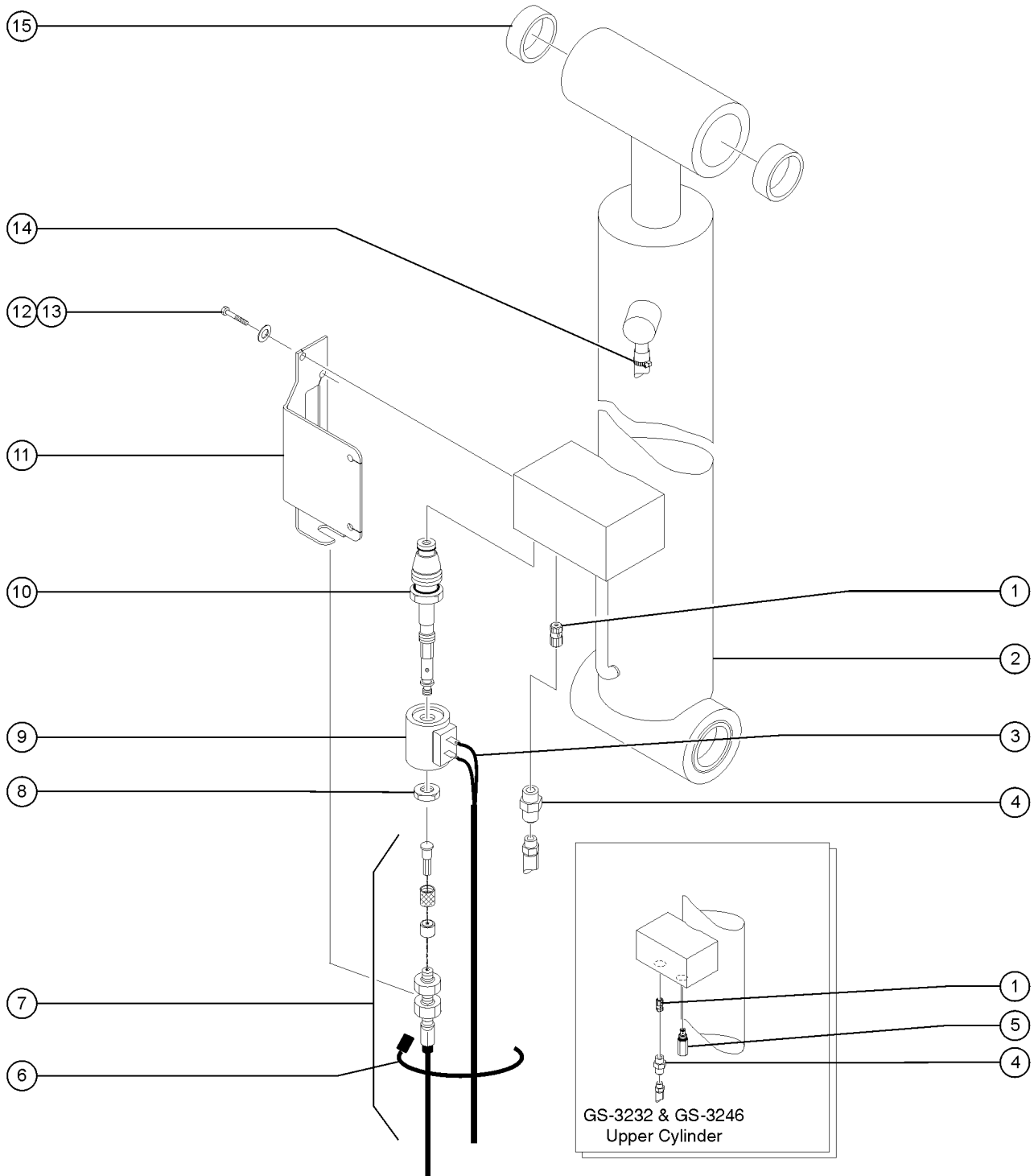
505.1 Hydraulic Power Unit, All Models



505.1 Hydraulic Power Unit, All Models

Item	Part No.	Description	Qty.
--	49812GT	ENCLOSING BAND KIT <i>Band Kit (EE models)</i>	
--	78006GT	FORMING,PADLOCK BRACKET	
--	44716GT	HANDLE,ANDERSON CONNECTOR SB	
1	40844GT	MOTOR,ELECTRIC,24VDC 4.5HP.....1	
--	43685GT	SEAL KIT,LIFT PUMP,BARNES**	
--	44777GT	BEARING,MOTOR	
--	44778GT	BEARING,MOTOR,36843,BRUSH END*	
2	44750GT	SPRING-BRUSH,40844, SCISSORS....4	
3	44752GT	COVER-BRUSH INSPEC.40844,SCISS.....4	
4	44751GT	BRUSH,PWR UNIT (40844)**.....4	
5	55921GT	SCREW,SHC,3/8-24 X 1.25"	
6	6021GT	WASHER,LOCK, .375	
7B		PUMP,4CC GEAR,CCW 228192 <i>Parker (component no longer available)</i>	
--	229453GT	SEAL KIT,PUMP,PARKER (228192) <i>for Parker pump 228192</i>	
7C	96193GT	PUMP,4CC GEAR,CCW***.....1 <i>When replacing the 96193 pump, please refer to the following website to confirm your machine has the most current software. http://firmware.genielift.com (check pump ID for correct seal kit)</i>	
--	233641GT	SEAL KIT,BOSCH PUMP <i>For 96193 w/Bosch PN 9510090001</i>	
--	85197GT	SEAL KIT,BOSCH PUMP*** <i>For 96193 w/Bosch PN 9510290001</i>	

506.1 Lift Cylinder Assembly, All Models



506.1 Lift Cylinder Assembly, All Models

Item	Part No.	Description	Qty.	Item	Part No.	Description	Qty.
1	55558GT	ORIFICE, LONG, .037***1 <i>GS-1530, GS-1532, GS-1930, GS-1932 (lift cylinder) GS-3246 and GS-3232 (upper cylinder)</i>	1	--	97131GT	SEAL KIT (96579) <i>for cylinder 96579 (to SN GS4607-83691)</i>	
1A	55560GT	ORIFICE, LONG, .059" <i>GS-2032, GS-2632, GS-2046, GS-2646, GS-3232, GS-3246</i>		3		Ref. Down Coil Wire Harness <i>(refer to 211.1)</i>	
--	105479GT	KIT, TWO ORIFICE, .059"		4	39878GT	CONNECTOR, 070120-6-6.....1	
--	105481GT	KIT, ORIFICE, .059"		5	97130GT	VALVE-RELIEF, 2500PSI	
2	105543GT	CYLINDER, MINI LIFT.....1 <i>GS-1530, GS-1532, GS-1930, GS-1932 (shown)</i>	1	6	28443GT	CABLE TIE, 11.5" BLACK.....3	
--	105548GT	KIT, MINI LIFT CYL SEAL <i>(from SN GS3007A-88642, GS3007B-83785 and GS3008C-101)</i>		7		Ref. Emergency Down Cable <i>(refer to 204.1)</i>	
--	84388GT	SEAL KIT-LIFT CYL(96192) <i>(to SN GS3007A-88641 and GS3007B-83784)</i>		8	44973GT	NUT, COIL (39909).....1	
2A	105544GT	CYLINDER, 20XX LIFT.....1 <i>GS-2032, GS-2046</i>	1	9	84422GT	COIL-SOLENOID VALVE, 20V DC***.....1 <i>(direct replacement for 66467)</i>	
--	105549GT	SEAL KIT (105545) <i>(from SN GS3207-84485, GS3208C-101, GS4607-83692, and GS4609C-101)</i>		10	66465GT	VALVE, W/20V NC SOLENOID, MANUAL.....1 <i>(includes items 8 and 9)</i>	
--	97131GT	SEAL KIT (96579) <i>(to SN GS3207-84484 and GS4607-83691)</i>		--	40477GT	VALVE, CARTRIDGE***	
2B	105545GT	CYLINDER, 26XX/32XX LIFT.....1 <i>GS-2632, GS-2646</i>	1	--	44979GT	SEAL KIT, 39909, PLAT LWR VALVE*	
--	105549GT	SEAL KIT (105545) <i>(from SN GS3207-84485, GS3208C-101, GS4607-83692, and GS4609C-101)</i>		11	41557-SGT	CABLE BRACKET, PAINTED.....1	
--	97131GT	SEAL KIT (96579) <i>(to SN GS3207-84484 and GS4607-83691)</i>		12	7339GT	SCREW, HHC, 1/4-20 X .5	
2C	105546GT	CYLINDER, 32XX UPPER LIFT.....1 <i>GS-3232, GS-3246 (upper lift cylinder)</i>	1	13	6356GT	WASHER, LOCK, .25	
--	105564GT	SEAL KIT (105546) <i>for cylinder 105546 (from SN GS4607-83692 and GS4609C-101 and GS3205-75407)</i>		14	96770GT	CLAMP, HOSE, 1 EAR, 11/16.....1	
--	44227GT	SEAL KIT, VALVE <i>for 97130</i>		15	105478GT	BEARING, 1.5025IDX1.5075ODX1.5L.....4	
--	55558GT	ORIFICE, LONG, .037*** <i>GS-3232, GS-3246 (not shown)</i>					
--	97129GT	SEAL KIT (96628) <i>for cylinder 105254 (to SN GS4607-83691)</i>					
--	97130GT	VALVE-RELIEF, 2500PSI <i>(from SN GS3213C)</i>					
2D	105545GT	CYLINDER, 26XX/32XX LIFT.....1 <i>GS-3232, GS-3246 (lower lift cylinder)</i>	1				
--	105549GT	SEAL KIT (105545) <i>for cylinder 105545 (from SN GS4607-83692 and GS4609C-101 and GS3205-75407)</i>					

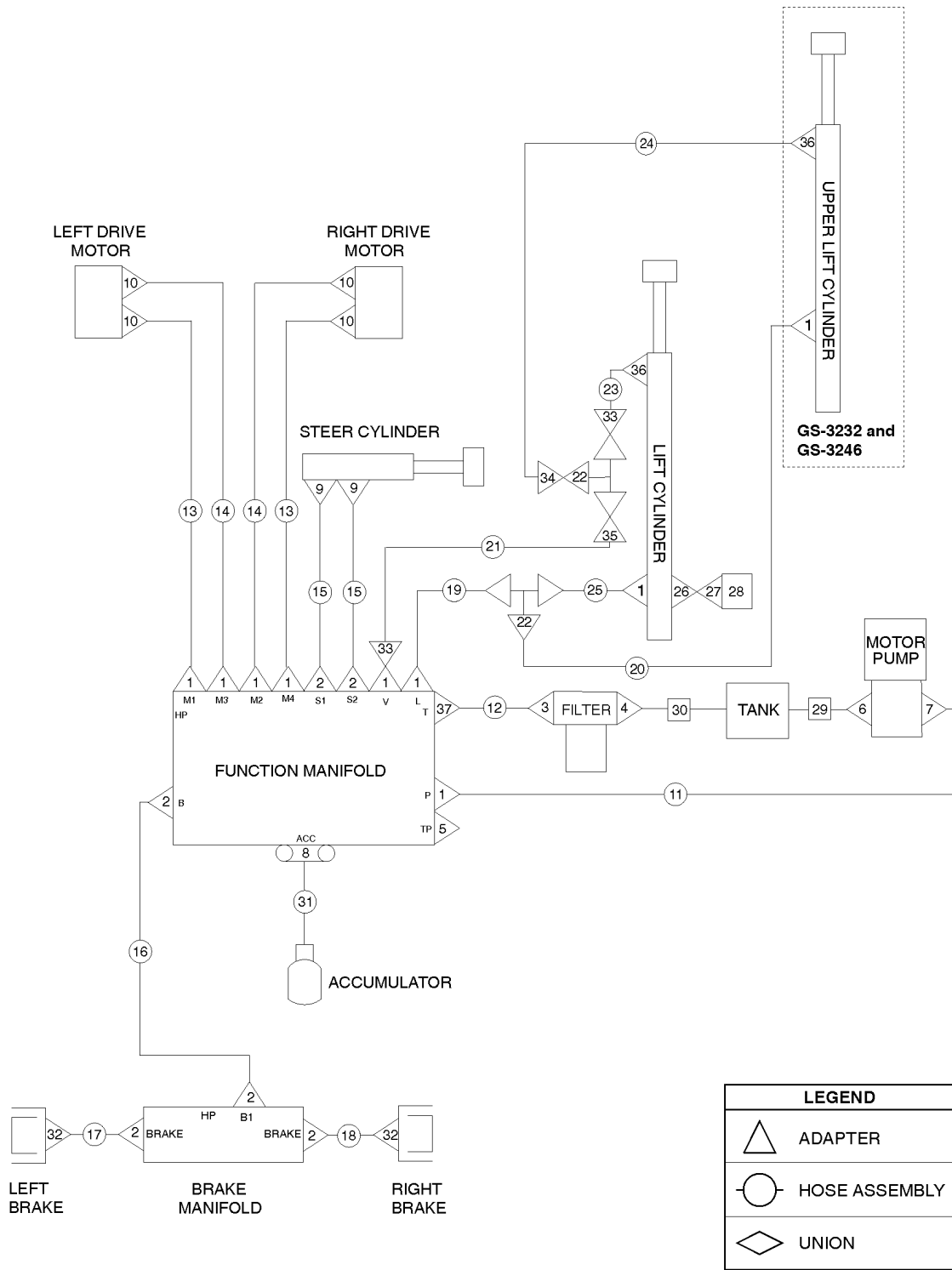


507.1 Hydraulic Hoses and Fittings, GS-1530, GS-1532, GS-1930, GS-1932

Item	Part No.	Description	Qty.	Item	Part No.	Description	Qty.
--		<i>The hose lengths below reflect the length of the hose only. Refer to the 'Fittings Cross Reference' to match Genie part numbers to Parker part numbers.</i>		14B	105262GT	HOSE, ASSY, UPPER LIFT from SN 06A-84658, 06B-80109, C-101 (Components: 39890, 39890, and 56776 @ 73 inches)	
1	39873GT	ELBOW,070220-6-6.....	4	15	42283GT	ELBOW,070320-6-6.....	2
2	96350GT	HOSE, ASSY, MOTOR CROSSOVER..... (Components: 39890, 39890, and 56776 @ 53.25 inches)	1	16	39877GT	CONNECTOR,070120-4-4.....	7
3		Ref. Adjustable Pressure Switch (refer to 701.1)		16	39882GT	PLUG,HEX SOCKET,090109B-4.....	1
4	105243GT	REDUCER, 6-4..... (CE models)	1	17	20923GT	CONNECTOR,070120-8-6.....	1
5	96697GT	LINE,HYD,PRESS SW..... (CE models)	1	18	96348GT	HOSE, ASSY, MAN TO FILTER..... (Components: 96406, 96406, and 75631 @ 25 inches)	1
6	39881GT	CONNECTOR,070120-4-6..... (CE models)	1	19	96398GT	CONNECTOR, 070120-12-8.....	1
7	39878GT	CONNECTOR,070120-6-6.....	5	20	96352GT	HOSE, ASSY, BRAKE..... (Components: 78855, 78855, and 78852 @ 54 inches)	1
8	105059GT	HOSE,ASSY,DRIVE MOTORS,MINI..... (Components: 39890, 39890, and 56776 @ 28.25 inches)	1	21		Ref. Diagnostic Nipple (refer to 502.1)	
9	96351GT	HOSE, ASSY, STEER..... (Components: 78855, 78855, and 78852 @ 22 inches)	2	22	96353GT	HOSE, ASSY, PRESSURE..... (Components: 39890, 39890, and 56776 @ 40 inches)	1
10	13921GT	ELBOW,070220-4-4.....	2	23	96391GT	HOSE, ASSY..... (Components: 78855, 78855, and 78852 @ 17 inches)	1
11A	96395GT	HOSE, ASSY, LOWER VENT..... to SN 06A-84657, 06B-80108 (Components: 96406, 96407, and 75631 @ 40 inches)	1	24	96355GT	TUBE, ASSY, RETURN.....	1
11B	105263GT	HOSE, ASSY, LOWER VENT from SN 06A-84658, 06B-80109, 08C-101 (Components: 96406, 96406, and 75631 @12 inches)		25	96354GT	TUBE, ASSY, DRAW.....	1
12A	96396GT	HOSE, ASSY, UPPER VENT..... to SN 06A-84657, 06B-80108 (Components: 96406, 96406, and 75631 @ 76 inches)	1	26	22664GT	ELBOW,070220-12-10.....	1
12B	105261GT	HOSE, ASSY, UPPER VENT from SN 06A-84658, 06B-80109, C-101 (Components: 96407, and 75631 @ 107 inches)		27	39876GT	ELBOW,070220-6-8.....	1
13A	96393GT	HOSE, ASSY, LOWER LIFT..... to SN 06A-84657, 06B-80108 (Components: 39890, 47223, and 39886 @ 44 inches)	1	28	53501GT	O-RING-6.....	1
13B	105264GT	HOSE, ASSY, LOWER LIFT from SN 06A-84658, 06B-80109, C-101 (Components: 39890, 47223, and 56776 @ 13 inches)		29	78864GT	HOSE ASSY, MAN/ACCUM, MINI..... (Components: 78855, 78855, and 78852 @ 20 inches)	1
14A	96394GT	HOSE, ASSY, UPPER LIFT..... to SN 06A-84657, 06B-80108 (Components: 39890, 39890, and 56776 @ 40 inches)	1	30	39877GT	CONNECTOR,070120-4-4.....	2
				31	115166GT	HOSE,ASSY,DRIVE MOTORS,MINI, L (Components: 39890, 39890, and 56776 @ 31 inches)	



508.1 Hydraulic Hoses and Fittings, GS-2032, GS-2632, GS-3232, GS-2046, GS-2646, GS-3246



508.1 Hydraulic Hoses and Fittings, GS-2032, GS-2632, GS-3232, GS-2046, GS-2646, GS-3246

Item	Part No.	Description	Qty.	Item	Part No.	Description	Qty.
--		<i>The hose lengths below reflect the length of the hose only. Refer to the 'Fittings Cross Reference' to match Genie part numbers to Parker part numbers.</i>		13D	96746GT	HOSE ASSY, DRIVE MOTORS, GS46....2 GS-46 (to SN GS4607-84402) (Components: 39890, 39890, and 56776 @ 50 inches)	
1	39878GT	CONNECTOR,070120-6-6.....	9	13E	105801GT	HOSE ASSY,DRIVE MOTORS,GS46....2 GS-46 (from SN GS4607-84403) (Components: 39890, 39890, and 56776 @ 60 inches)	
2A	39877GT	CONNECTOR,070120-4-4.....	7	13F	105801GT	HOSE ASSY,DRIVE MOTORS,GS46....2 GS-46 (from SN C-101) (Components: 39890, 39890, and 56776 @ 60 inches)	
2B	39882GT	PLUG,HEX SOCKET,090109B-4.....	1	14	105247GT	HOSE ASSY, DRIVE MOTORS, GS32....2 GS-32 (to SN GS3207-84824) (Components: 39890, 39890, and 78852 @ 60 inches)	
3	96397GT	CONNECTOR, 070120-8-8.....	2	14A	105579GT	HOSE ASSY,DRIVE MOTORS,GS32....2 GS-32 (from SN GS3207-84825) (Components: 39890, 39890, and 56776 @ 54 inches)	
4	96398GT	CONNECTOR, 070120-12-8.....	1	14B	105579GT	HOSE ASSY,DRIVE MOTORS,GS32....2 GS-32 (from SN C-101) (Components: 39890, 39890, and 56776 @ 64 inches)	
5		Ref. Diagnostic Nipple (refer to 503.1)		14C	96746GT	HOSE ASSY, DRIVE MOTORS, GS46....2 GS-46 (to SN GS4607-84402) (Components: 39890, 39890, and 56776 @ 50 inches)	
6	22664GT	ELBOW,070220-12-10.....	1	14D	105580GT	HOSE ASSY,DRIVE MOTORS,GS46....2 GS-46 (from SN C-101) (Components: 39890, 39890, and 56776 @ 64 inches)	
7	39876GT	ELBOW,070220-6-8.....	1	14E	105580GT	HOSE ASSY,DRIVE MOTORS,GS46....2 GS-46 (from SN GS4607-84403) (Components: 39890, 39890, and 56776 @ 64 inches)	
8A	42283GT	ELBOW,070320-6-6		15A	96747GT	HOSE, ASSY, STEER.....2 GS-32 (to SN GS3207-84824) (Components: 78855, 78855, and 78852 @ 50 inches)	
8B	53500GT	O-RING-4.....	1	15B	96747GT	HOSE, ASSY, STEER.....2 GS-46 (to SN GS4607-84402) (Components: 78855, 78855, and 78852 @ 50 inches)	
9A	13921GT	ELBOW,070220-4-4.....2 GS-2032, GS-2632, GS-2046, GS-2646		15C	105578GT	HOSE,ASSY STEER,GS32/46.....2 GS-32 (from SN GS3207-84825) (Components: 78855, 78855 and 78852 @ 36 inches)	
9B	13921GT	ELBOW,070220-4-4.....4 GS-3232, GS-3246		15D	105578GT	HOSE,ASSY STEER,GS32/46.....2 GS-46 (from SN GS4607-84403) (Components: 78855, 78855 and 78852 @ 36 inches)	
10	39873GT	ELBOW,070220-6-6.....	4	15E	105578GT	HOSE,ASSY STEER,GS32/46.....2 GS-32, GS-46 (from SN C-101) (Components: 78855, 78855 and 78852 @ 36 inches)	
11	96744GT	HOSE, ASSY, PRESSURE.....1 (Components: 39890, 39890, and 56776 @ 50 inches)					
12A	96745GT	HOSE, ASSY, MAN TO FILTER.....1 GS-32 (to SN GS3207-84824) (Components: 96406, 96406, and 75631 @ 38 inches)					
12B	96745GT	HOSE, ASSY, MAN TO FILTER.....1 GS-46 (to SN GS4607-84402) (Components: 96406, 96406, and 75631 @ 38 inches)					
12C	96348GT	HOSE, ASSY, MAN TO FILTER.....1 GS-32 (from SN GS3207-84825) (Components: 96406, 96406, and 75631 @ 25 inches)					
12D	96348GT	HOSE, ASSY, MAN TO FILTER.....1 GS-46 (from SN GS4607-84403) (Components: 96406, 96406, and 75631 @ 25 inches)					
12E	96348GT	HOSE, ASSY, MAN TO FILTER.....1 GS-32/46 (from SN C-101) (Components: 96406, 96406, and 75631 @ 25 inches)					
13A	105247GT	HOSE ASSY, DRIVE MOTORS, GS32....2 GS-32 (to SN GS3207-84824) (Components: 39890, 39890, and 78852 @ 60 inches)					
13B	105802GT	HOSE ASSY,DRIVE MOTORS,GS32....2 GS-32 (from SN GS3207-84825) (Components: 78855, 78855 and 78852 @ 50 inches)					
13C	105802GT	HOSE ASSY,DRIVE MOTORS,GS32....2 GS-32 (from SN C-101) (Components: 78855, 78855 and 78852 @ 50 inches)					



508.1 Hydraulic Hoses and Fittings, GS-2032, GS-2632, GS-3232, GS-2046, GS-2646, GS-3246
(continued)

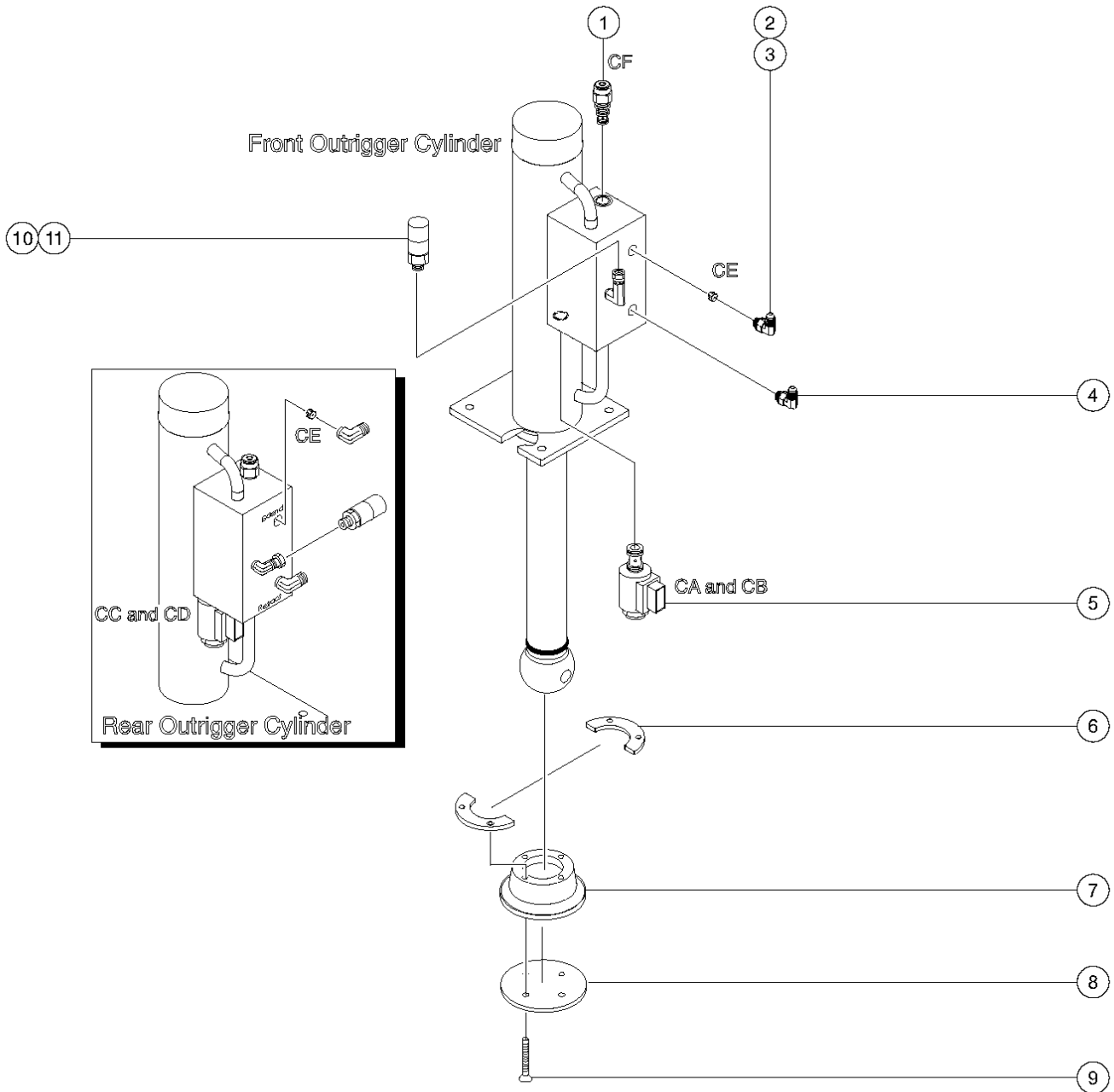
Item	Part No.	Description	Qty.	Item	Part No.	Description	Qty.
16A	96748GT	HOSE, ASSY, BRAKE.....2 GS-32 (to SN GS3207-84824) (Components: 78855, 78855 and 56776 @ 80 inches)		29	96354GT	TUBE, ASSY, DRAW.....1	
16B	96748GT	HOSE, ASSY, BRAKE.....2 GS-46 (to SN GS4607-84402) (Components: 78855, 78855 and 56776 @ 80 inches)		30	96355GT	TUBE, ASSY, RETURN	
16C	105804GT	HOSE,ASSY,BRAKE MAN,GS32.....2 GS-32 (from SN GS3207-84825) (Components: 78852, 78852 and 78852 @ 62 inches)		31	96391GT	HOSE, ASSY.....1	
16D	105577GT	HOSE,ASSY,BRAKE,GS46.....2 GS-46 (from SN GS4607-84403) (Components: 78855, 78855 and 78852 @ 65 inches)		32	39877GT	CONNECTOR,070120-4-4	
16E	105577GT	HOSE,ASSY,BRAKE,GS46.....2 GS-32, GS-46 (from SN C-101) (Components: 78855, 78855 and 78852 @ 65 inches)		33	96406GT	HOSE END,BARBED,SWIVEL,JIC,6-6....1	
17A	96391GT	HOSE, ASSY.....2 GS-32 (Components: 78855, 78855, and 78852 @ 17 inches)		34	39877GT	CONNECTOR,070120-4-4.....2	
17B	105803GT	HOSE,ASSY, BRAKE MAN,GS46.....2 GS-46 (Components: 78855, 78855, and 78852 @ 22 inches)		35	96407GT	HOSE END, MALE JIC, 30382-6-6B.....1	
18A	96391GT	HOSE, ASSY.....2 GS-32 (Components: 78855, 78855, and 78852 @ 17 inches)		36A	105045GT	HOSE END 90,JIC 33982-6-6.....1 GS-3232, GS-3246	
18B	96749GT	HOSE, ASSY, BRAKE MAN, GS46.....2 GS-46 (Components: 78855, 78855, and 78852 @ 20 inches)		36B	130011GT	HOSE CLAMP, SAE #6.....1 (qty 2 for GS-3232, GS-3246)	
19	96750GT	HOSE, ASSY, LIFT.....1 GS-32, GS-46 (Components: 39890, 39890 and 56776 @ 42 inches)		37	66389GT	CONN,070120-8-6.....1	
20	96880GT	HOSE,ASSY,UPPER LIFT.....1 GS-3232, GS-3246 (Components: 39890, 39890 and 56776 @ 297 inches)					
21	75631GT	HOSE,AIR 3/8.....42-inches Vent Hose (for hose ends see items 31 & 33)					
22	51152GT	TEE,RUN 070432-6*****.....2 GS-3232, GS-3246					
23	75631GT	HOSE,AIR 3/8.....161-inches					
24	75631GT	HOSE,AIR 3/8.....320-inches					
25	105046GT	HOSE ASSY,LOWER LIFT.....1 GS-32 , GS-46 (Components: 47223, 39890 and 56776 @ 127 inches)					
26	96885GT	CONN,SWIVEL,STR,THR,465OX-S.....1 (CE models)					
27	39881GT	CONNECTOR,070120-4-6.....1 (CE models)					
28		Ref. Pressure Switch (refer to 702.1)					



508.1 Hydraulic Hoses and Fittings, GS-2032, GS-2632, GS-3232, GS-2046, GS-2646,
GS-3246
(continued)

This Page Intentionally Left Blank

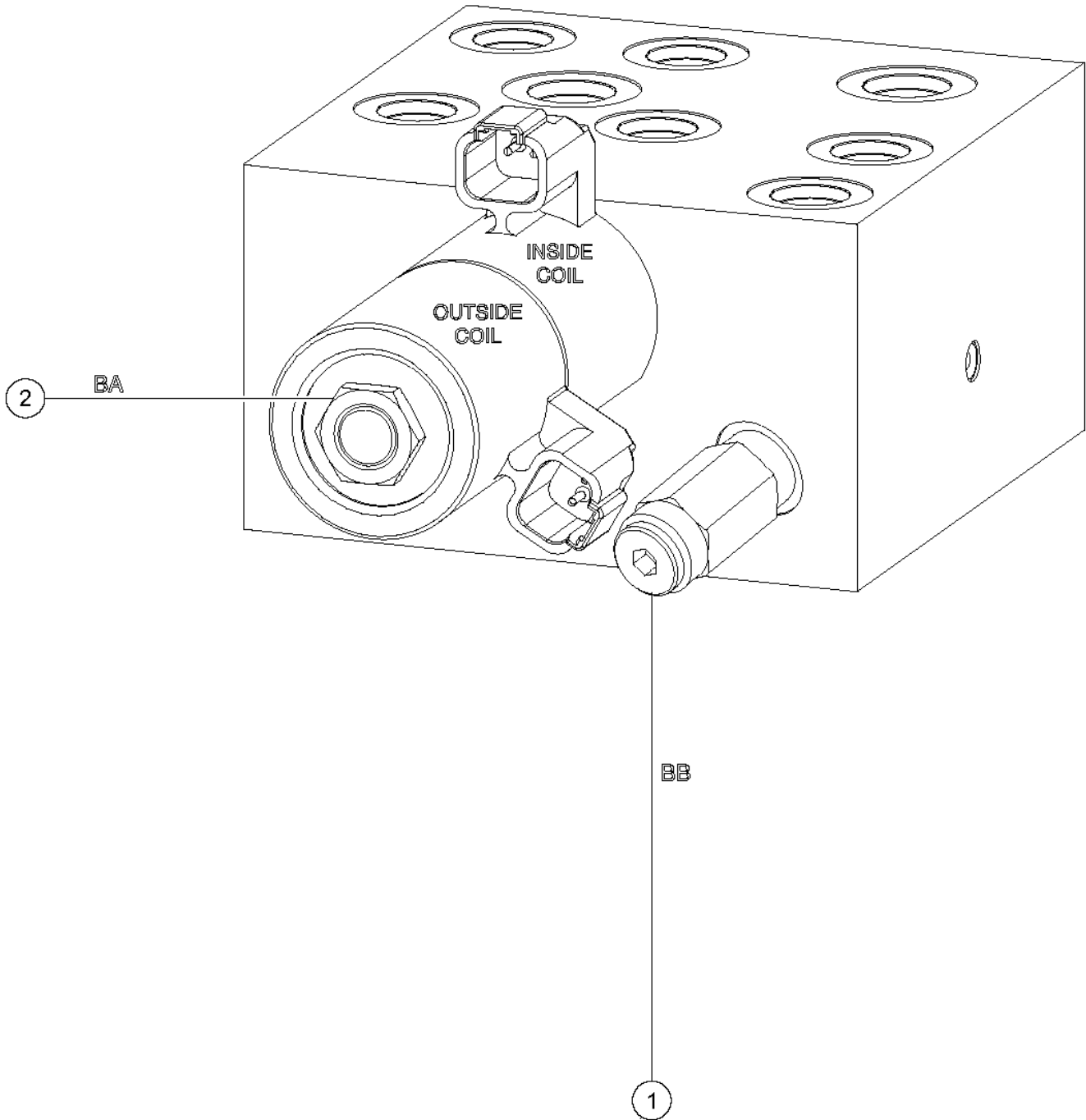
509.1 Outrigger Cylinders, Front and Rear, GS-3232



509.1 Outrigger Cylinders, Front and Rear, GS-3232

Item	Part No.	Description	Qty.
--	109877GT	CYLINDER,REAR OUTRIGGER <i>order valves, orifice and fittings separately</i>	
--	109878GT	CYLINDER,FRONT OUTRIGGER <i>order valves, orifice and fittings separately</i>	
--	144655GT	SEAL KIT,O/R CYLINDER*** <i>for 109877 and 109878</i>	
1	105628GT	VALVE,CHECK,PILOT OPERATED.....1 <i>(3500 psi, 240 bar)</i>	
--	105695GT	SEAL KIT	
2	39875GT	ELBOW,070220-4-6.....1	
3	67744GT	ORIFICE,SHORT, 0.037 INCH.....1 <i>(0.037 inch; 0.94 mm)</i>	
4	13921GT	ELBOW,070220-4-4.....1	
5	105629GT	VALVE,SOLENOID 2 POS, 2 WAY.....1	
--	44228GT	SEAL KIT, VALVE	
6	109750GT	PLATE,FOOTPAD RING.....2	
7	109756GT	FOOTPAD,OUTRIGGER,3232.....1	
8	105575GT	FOOTPAD,NON MARKING.....1	
9	40945GT	SCREW,FHS,1/4-20 X 2.25	
10	229750GT	HARNES,PRESS,TRANSDUCER***1	
11	105652GT	FITTING,ELBOW 4-4, SAE.....1	

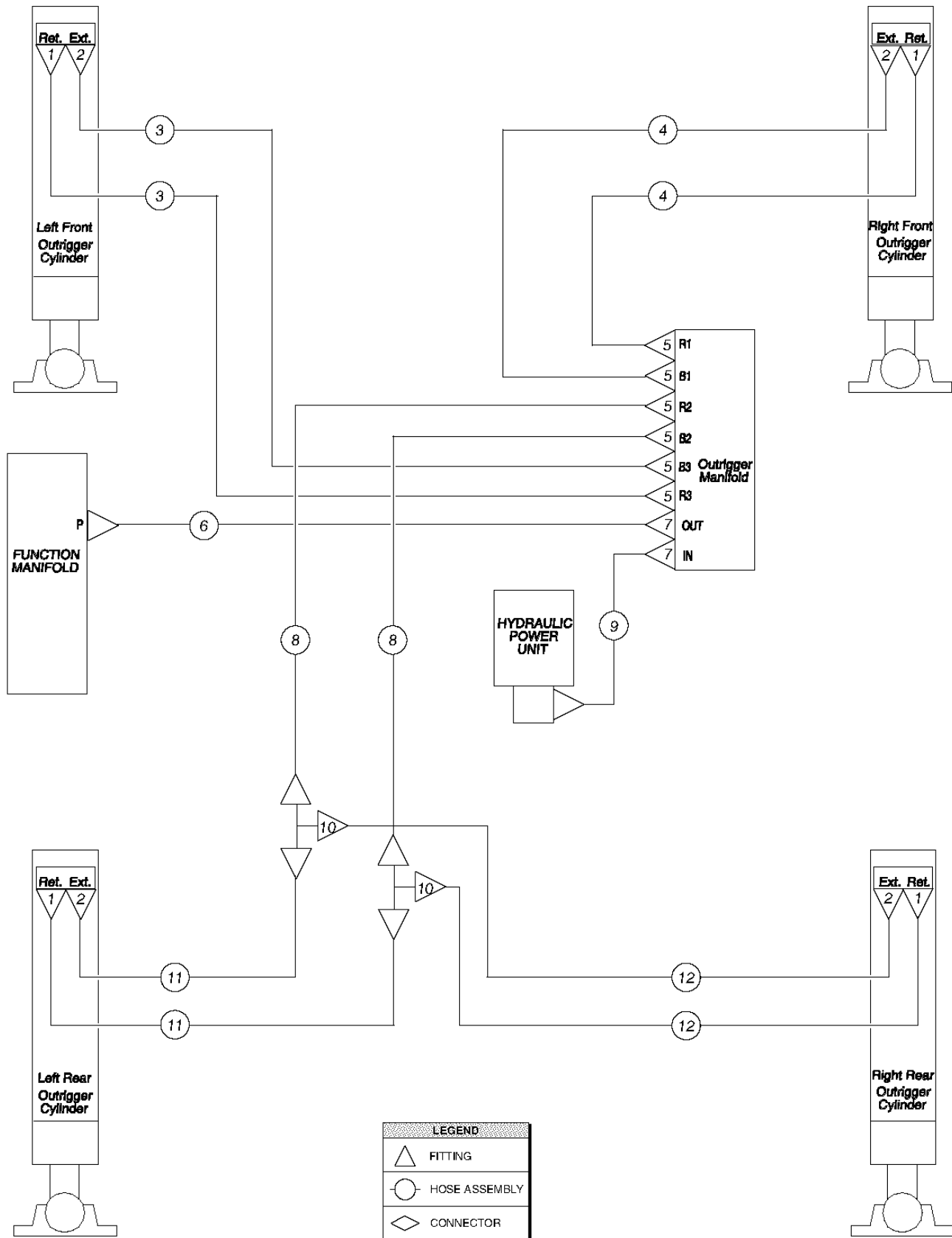
510.1 Outrigger Function Manifold, GS-3232



510.1 Outrigger Function Manifold, GS-3232

Item	Part No.	Description	Qty.
--	109757GT	MANIFOLD,OUTRIGGER OPTION	
--	49612GT	O-RING KIT (ORFS FITTINGS)	
--	49613GT	PLUG AND CAP KIT-SERVICE,ORFS*	
1	52376GT	VALVE,RELIEF,3500PSI*** (BB, Outrigger circuit)	
--	44227GT	SEAL KIT, VALVE	
2	52380GT	VALVE,SOLENOID,3POS4WAY,GS68 (BA, Outrigger extend/retract)	
--	44174GT	NUT-COIL SHORT	
--	44175GT	SPACER-DUAL COIL,#10, SCISSORS	
--	44230GT	SEAL KIT-P.N.44169,44172,44171	
--	84385GT	COIL,20VDC DEUTCSH W/DIODE	

511.1 Hydraulic Hoses and Fittings, Outriggers, GS-3232

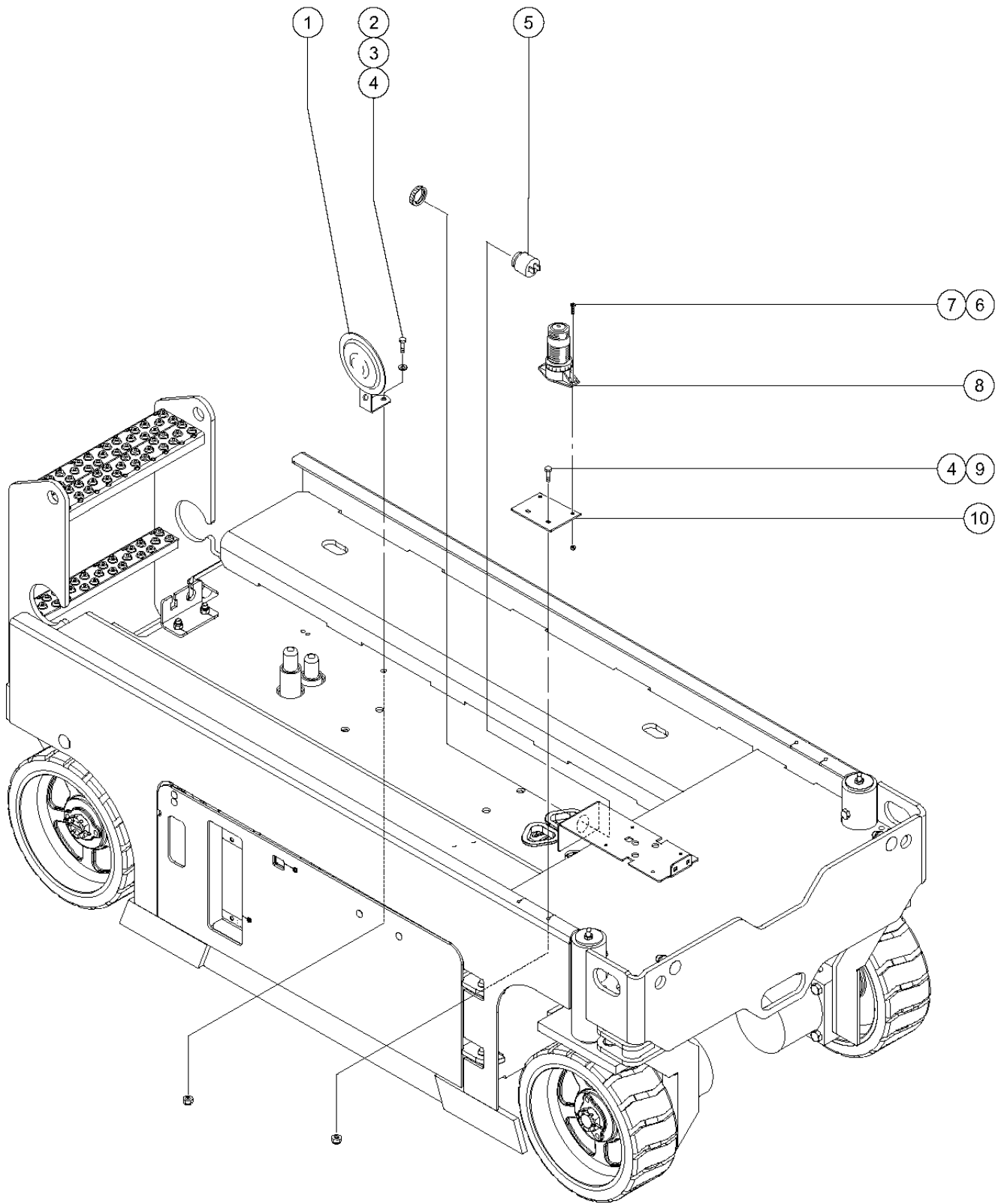


LEGEND	
	FITTING
	HOSE ASSEMBLY
	CONNECTOR

511.1 Hydraulic Hoses and Fittings, Outriggers, GS-3232

Item	Part No.	Description	Qty.
1	13921GT	ELBOW,070220-4-4.....	4
2	39875GT	ELBOW,070220-4-6.....	4
3	105645GT	HOSE ASSY,LT FRONTO/R,GS3232..... (Components: 78855, 78855, and 78852 @ 12 inches)	2
4	105648GT	HOSE ASSY,RT FRONT O/R,GS3232..... (Components: 78855, 78855, and 78852 @ 36 inches)	2
5	39877GT	CONNECTOR,070120-4-4.....	6
6	105650GT	HOSE ASSY,MANIFOLD, GS3232..... (Components: 39890, 39890, and 56776 @ 32 inches)	1
7	39878GT	CONNECTOR,070120-6-6.....	2
8	105649GT	HOSE ASSY,O/R MAN-T, GS3232..... (Components: 78855, 78855, and 78852 @ 60 inches)	2
9	105651GT	HOSE ASSY,PUMP-O/R MAN, GS3232..... (Components: 39890, 39890, and 56776 @ 56 inches)	1
10	8342GT	TEE,UNION,070401-4.....	4
11	105646GT	HOSE ASSY,LT REAR O/R, GS3232..... (Components: 78855, 78855, and 78852 @ 16 inches)	2
12	105647GT	HOSE ASSY,RT REAR O/R, GS3232..... (Components: 78855, 78855, and 78852 @ 24 inches)	2

601.1 Alarm, Horn and Flashing Beacons

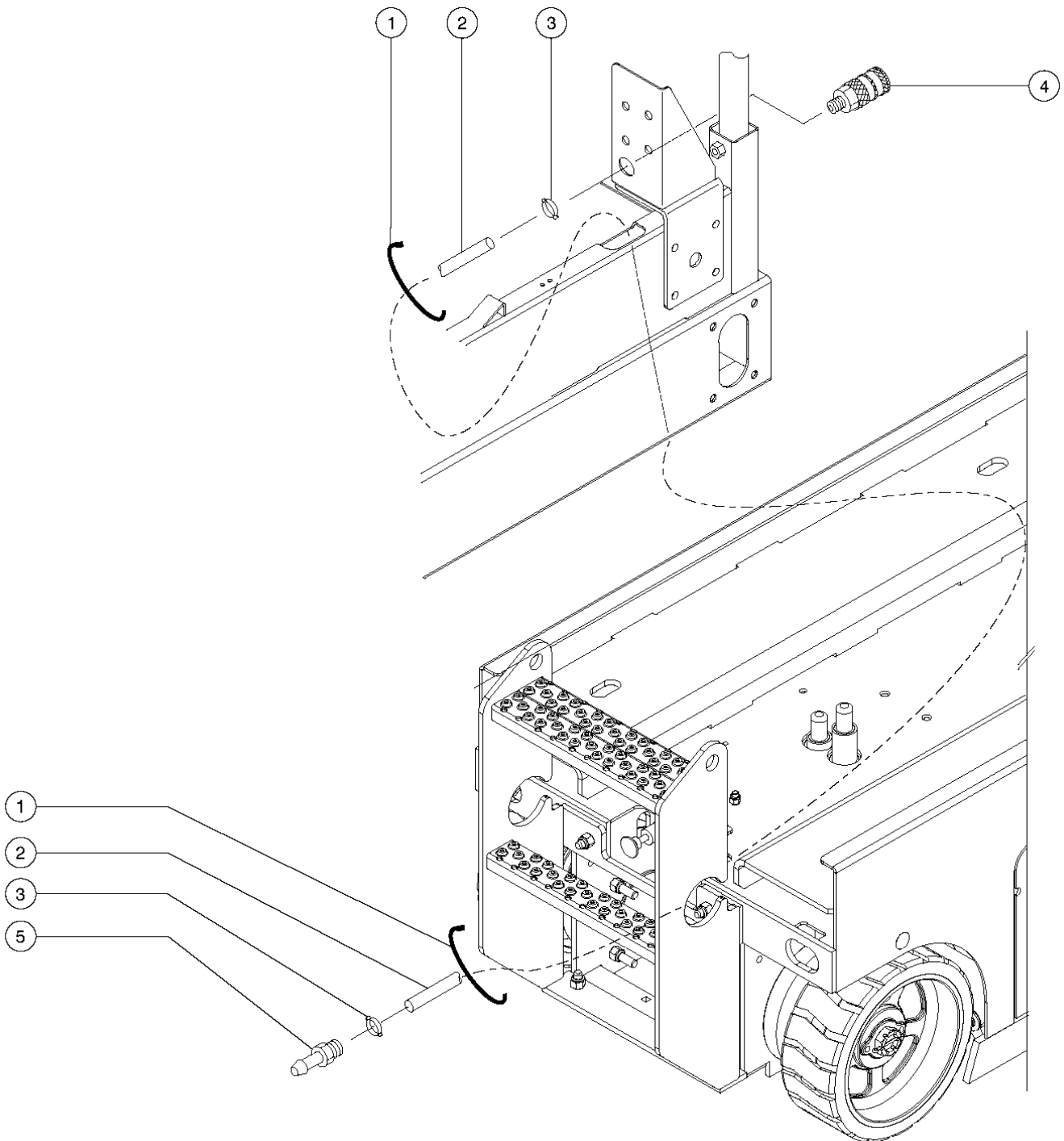


601.1 Alarm, Horn and Flashing Beacons

Item	Part No.	Description	Qty.
--	105797GT	KIT,BEACON,GS32/46 GS-1530, GS-1532, GS-1930, GS-1932 to SN A-100399, to B-98941, to C-2999	
--	144046GT	KIT,BEACON,GENIE SCISSOR GS-1530, GS-1532, GS-1930, GS-1932 from SN A-100400, from C-3000	
--	105797GT	KIT,BEACON,GS32/46 GS-2046, GS-2646, GS-3246 to SN A-95999, C-299	
--	144046GT	KIT,BEACON,GENIE SCISSOR GS-2046, GS-2646, GS-3246 from SN A-96000, C-300	
--	47675-SGT	TRAVEL ALARM ACC, SLAB	
1	81579GT	HORN,24VDC,SPADE TERMINALS***1	
1A	78098GT	RELAY,24VDC,40/30A,SLD W/BRKT*	
1B	96484GT	ASSY,DIODE	
2	8914GT	SCREW,HHC,1/4-20 X .625	
3	6638GT	WASHER,FLAT,USS,1/4"Y	
4	6091GT	NUT,NYLOCK,1/4-20 GS-1530, GS-1532, GS-1930, GS-1932	
5	39540GT	ALARM,STEADY TONE***1 Does not include 72326 nut	
--	72326GT	NUT - PLASTIC,RING FOR ALARMS	
6	49816GT	SCREW,PHILLIPS,PHM,10-32 X .75	
7	6178GT	NUT,NYLOCK,10-32	
8A	231931GT	STROBE,BEACON, AC COMP 12-80V...2 replaced 105107	
--	105556GT	LENS,FLASHING BEACON for 231931	
--	105557GT	BULB,FLASHING BEACON for 231931	
8B	229990GT	STROBE,BEACON,LED 12-80V	
8C	231931GT	STROBE,BEACON, AC COMP 12-80V...2 for GS-32, GS-46; replaced 105107	
--	105556GT	LENS,FLASHING BEACON	
--	105557GT	BULB,FLASHING BEACON	
9	6878GT	BOLT,CARRIAGE,1/4-20 X .75,G2 GS-1530, GS-1532, GS-1930, GS-1932	
10	96363GT	PLATE,BEACON MOUNT.....2 GS-1530, GS-1532, GS-1930, GS-1932	



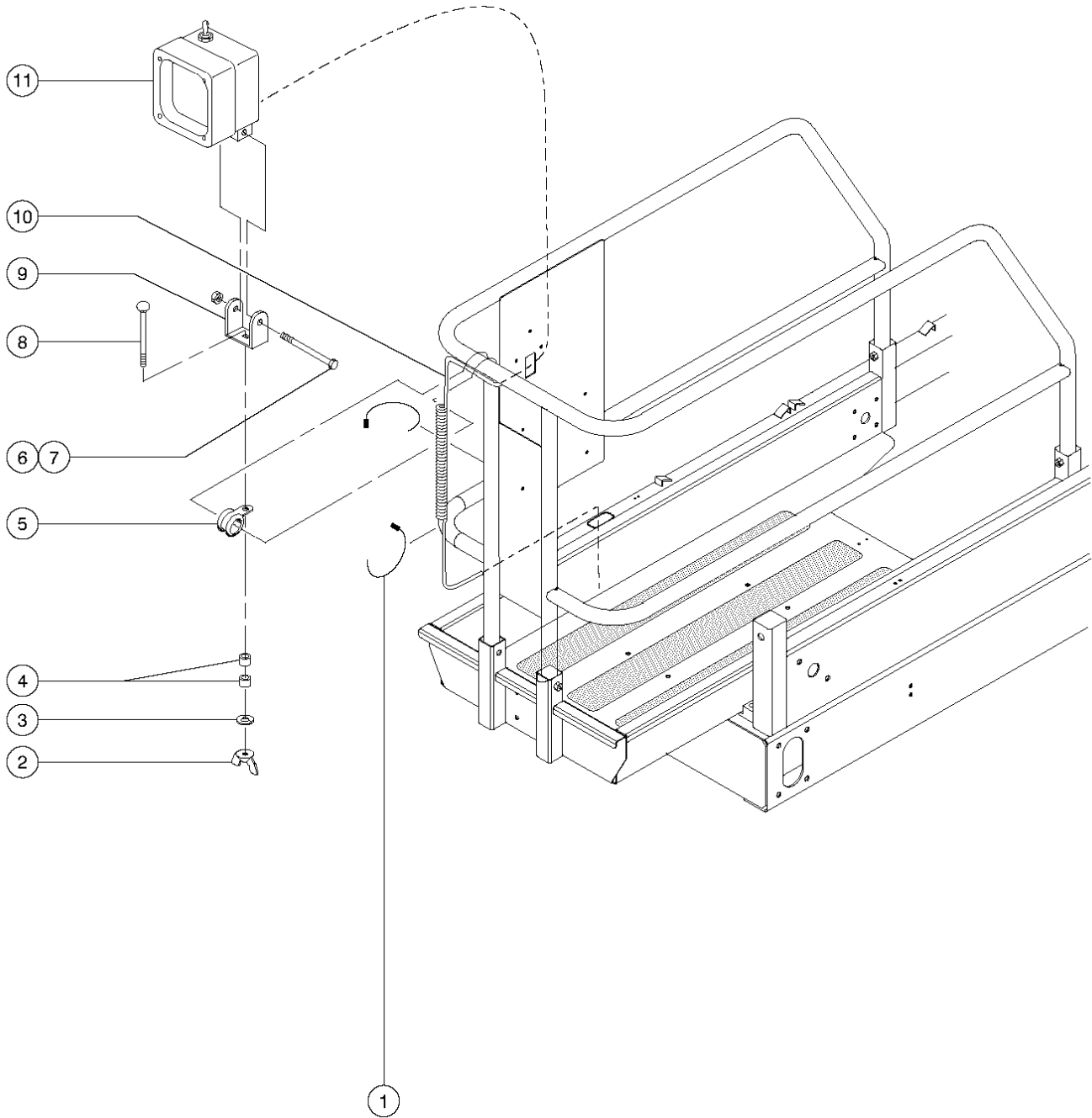
602.1 Air Line to Platform



602.1 Air Line to Platform

Item	Part No.	Description	Qty.
--	96515-SGT	AIR TO PLAT, GS15, ACC GS-1530, GS-1532	
--	96516-SGT	AIR TO PLAT, GS19, ACC GS-1930, GS-1932	
--	96731-SGT	AIR TO PLAT, GS20XX, ACC GS-2032, GS-2046	
--	96990-SGT	AIR TO PLAT, GS26XX, ACC GS-2632, GS-2646	
--	96991-SGT	AIR TO PLAT, GS3246, ACC GS-3232, GS-3246	
1	28443GT	CABLE TIE,11.5" BLACK	
2	27903GT	HOSE,LOW PRESSURE,.375 ID,BLK.....275-inches GS-1530, GS-1532	
--	27903GT	HOSE,LOW PRESSURE,.375 ID,BLK.....340-inches GS-1930, GS-1932	
--	27903GT	HOSE,LOW PRESSURE,.375 ID,BLK.....390-inches GS-2032, GS-2046	
--	27903GT	HOSE,LOW PRESSURE,.375 ID,BLK.....490-inches GS-2632, GS-2646	
--	27903GT	HOSE,LOW PRESSURE,.375 ID,BLK.....590-inches GS-3232, GS-3246	
3	45454GT	CLAMP,RUB CUSH,0.75,#12 X 3/8*1	
4	96543GT	COUPLER,1/4"SERIES,3/8 P-LOK.....1	
5	96542GT	PLUG,1/4"SERIES,3/8 P-LOCK***1	

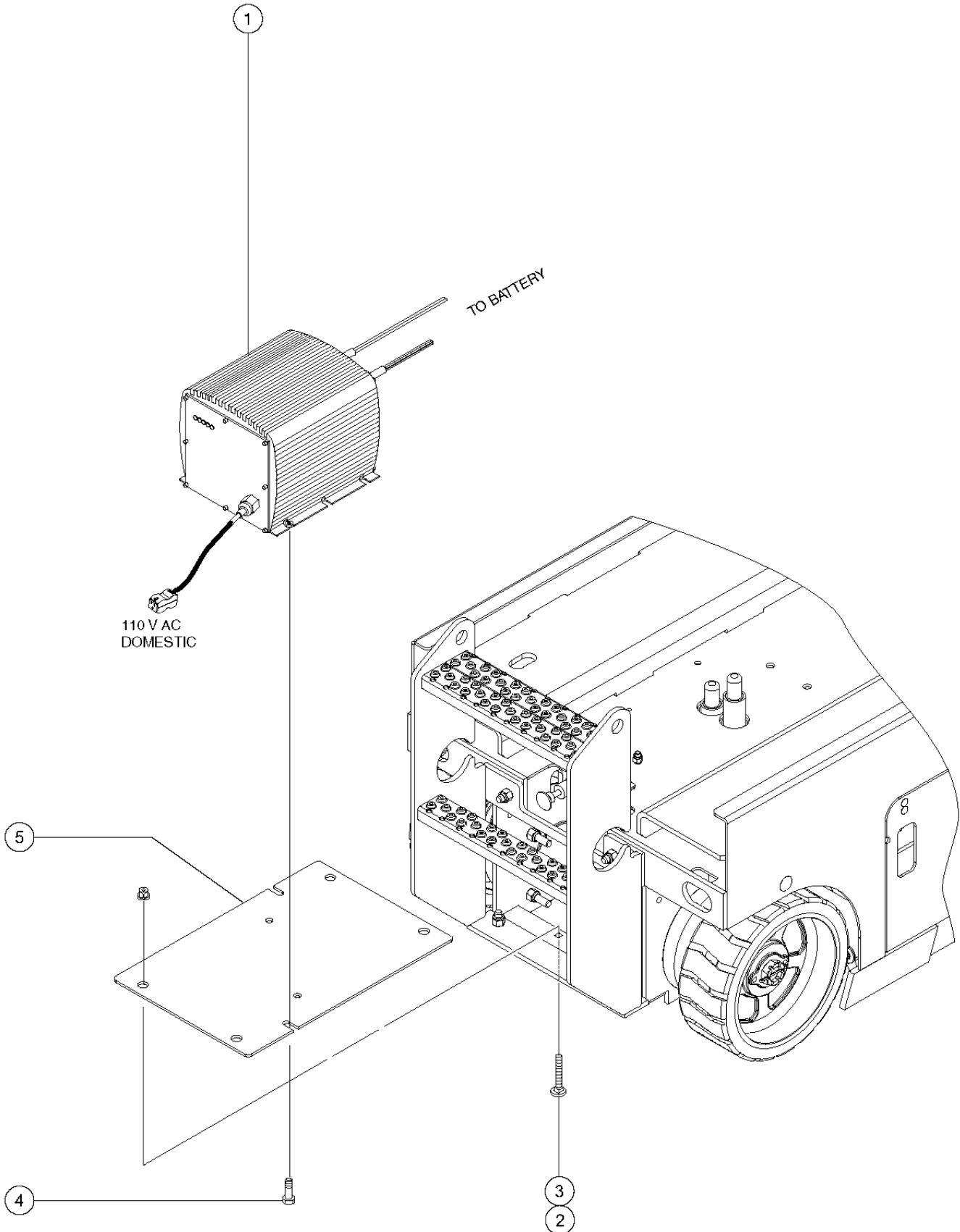
603.1 Platform Work Light



603.1 Platform Work Light

Item	Part No.	Description	Qty.
--	144026GT	WORKLIGHT ACCESSORY,GS15XX GS-1530, GS-1532	
--	144027GT	WORKLIGHT ACCESSORY,GS19/20XX GS-1930, GS-1932	
--	144027GT	WORKLIGHT ACCESSORY,GS19/20XX GS-2032, GS-2046	
--	144028GT	WORKLIGHT ACCESSORY,GS26XX	
--	144029GT	WORKLIGHT ACCESSORY,GS32XX	
--	105971GT	WORKLIGHT PIGTAIL ASSY (chassis)	
--	105972GT	WORKLIGHT CABLE,GS15XX (linkset) GS-1530, GS-1532	
--	105971GT	WORKLIGHT PIGTAIL ASSY (chassis)	
--	105973GT	WORKLIGHT CABLE,GS19/20XX (linkset) GS-1930, GS-1932	
--	105971GT	WORKLIGHT PIGTAIL ASSY (chassis)	
--	105973GT	WORKLIGHT CABLE,GS19/20XX (linkset) GS-2032, GS-2046	
--	105971GT	WORKLIGHT PIGTAIL ASSY (chassis)	
--	105974GT	WORKLIGHT CABLE,GS26XX (linkset) GS-2632, GS-2646	
--	105971GT	WORKLIGHT PIGTAIL ASSY (chassis)	
--	105975GT	WORKLIGHT CABLE,GS32XX (linkset) GS-3232, GS-3246	
1	28443GT	CABLE TIE,11.5" BLACK.....	10
2	69229GT	NUT,WING 5/16-18.....	1
3	6886GT	WASHER,LOCK,,.313	
4	5397GT	WASHER,FLAT,USS,5/16",Y..... <i>add sufficient washers to equal aproximately 0.435 inch thickness of each spacer</i>	2
5	33784GT	CLAMP,1.31,#21 X 1/4,RUB CUSH.....	1
6	50793GT	SCREW,HHC,5/16-18 X 2	
7	6782GT	NUT,NYLOCK,5/16-18	
8	65439GT	BOLT,CARRIAGE,5/16-18 X 2.0,G2	
9	144009GT	WORKLIGHT BRACKET.....	1
10	65721GT	COIL CORD,WORKLIGHT(144011).....	1
11	144011GT	WORKLIGHT,24V,COIL CORD.....	1

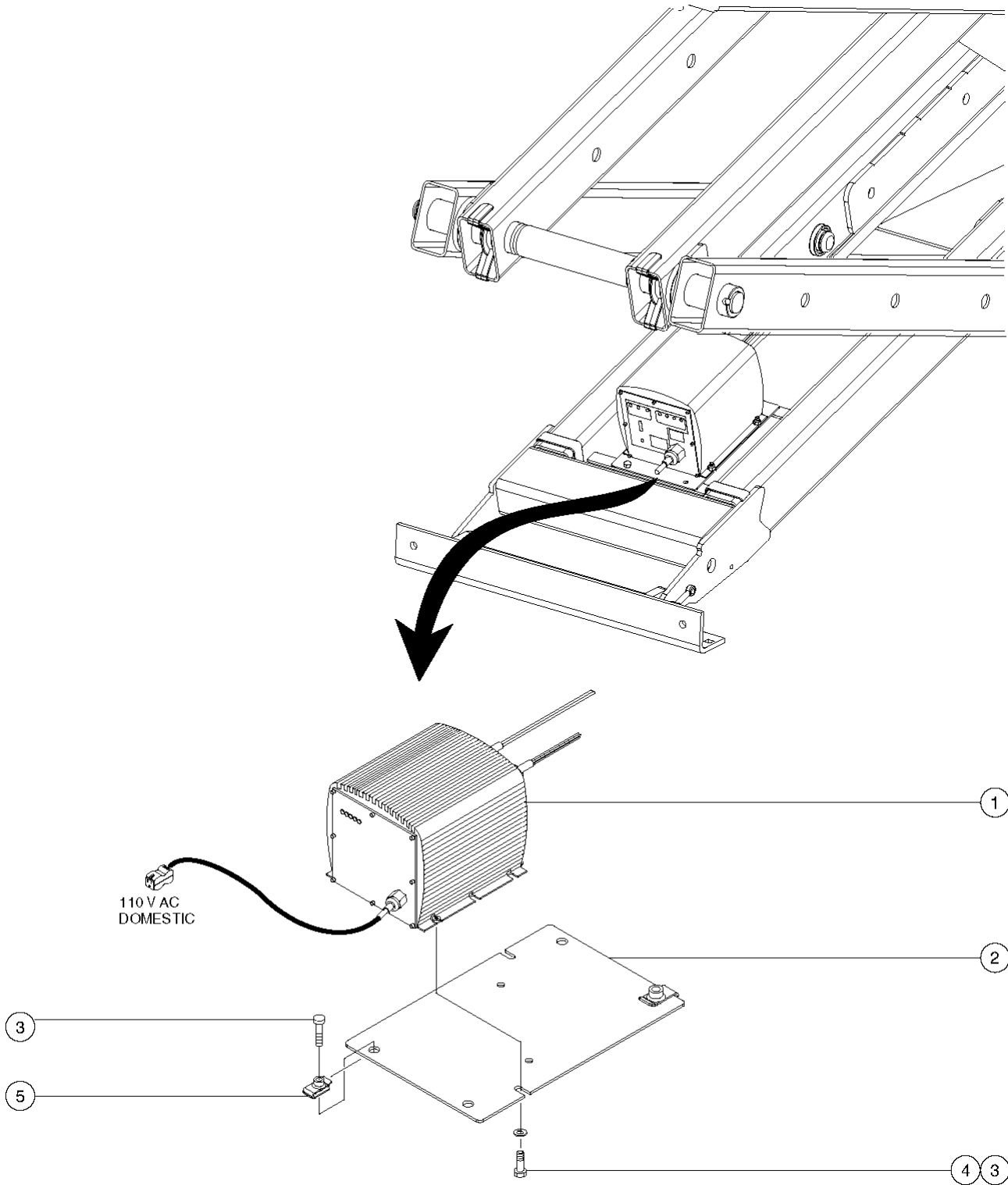
604.1 Voltage Inverter, GS-1530, GS-1532, GS-1930



604.1 Voltage Inverter, GS-1530, GS-1532, GS-1930

Item	Part No.	Description	Qty.
--	105218GT	INVERT.OPTION,GENIE GS30/1532 GS-1530, GS-1532, GS-1930	
1	96950GT	INVERTER,24VDC,110/230 VAC***.....1	
2	105092GT	BOLT,CARRIAGE,3/8-16X1.25,GR5	
3	4828GT	NUT,NYLOCK,3/8-16	
4	6090GT	SCREW,HHC,1/4-20 X .75	
5	105129GT	PLATE, INVERTER MOUNT.....1	

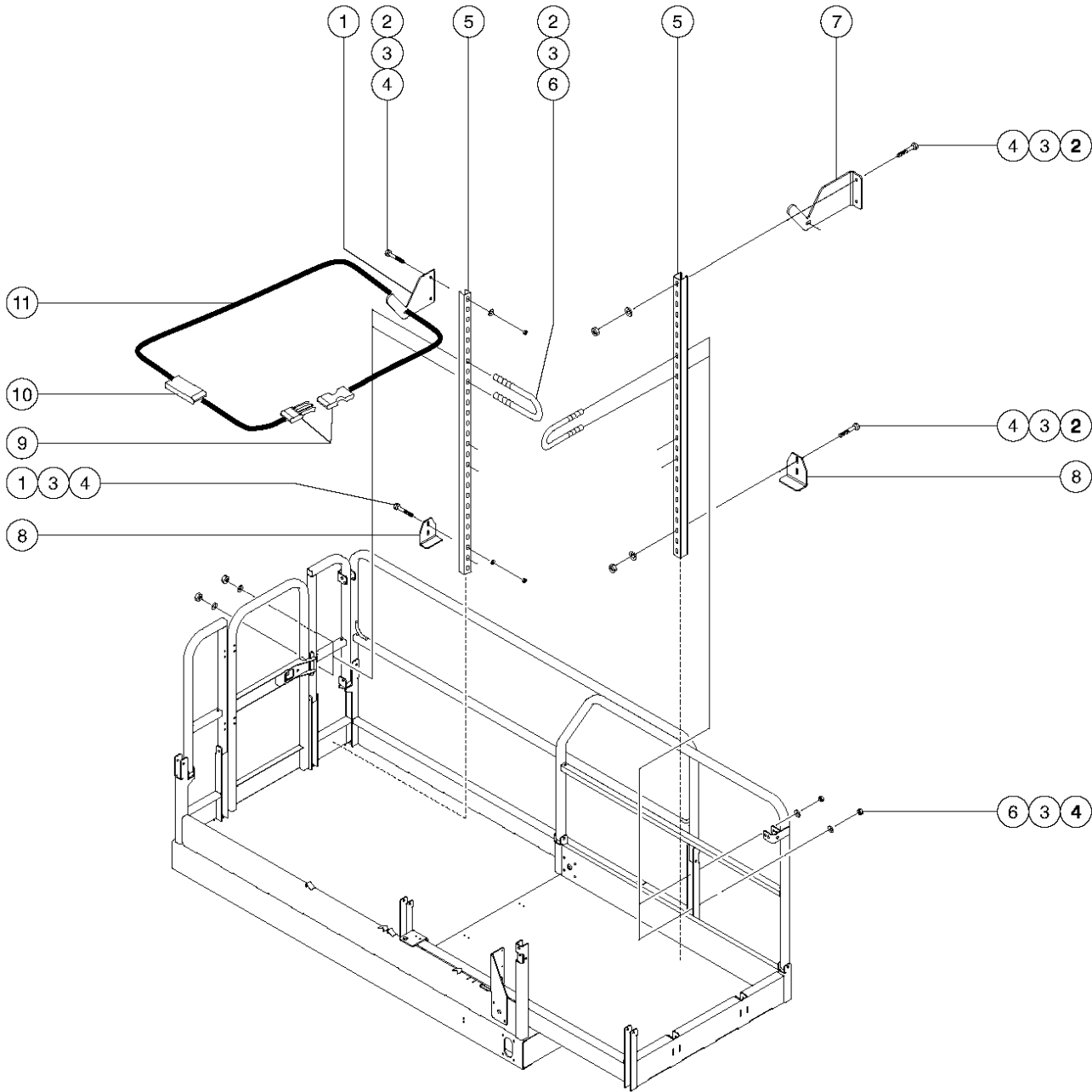
605.1 Voltage Inverter, GS-2032, GS-2632, GS-2046, GS-2646, GS-3232, GS-3246



605.1 Voltage Inverter, GS-2032, GS-2632, GS-2046, GS-2646, GS-3232, GS-3246

Item	Part No.	Description	Qty.
--	105248GT	SERVICE KIT,INVERTER 800W*** GS-2032, GS-2632, GS-3232, GS-2046, GS-2646, GS-3246	
1	96950GT	INVERTER,24VDC,110/230 VAC***1	
2	105129GT	PLATE, INVERTER MOUNT.....1	
3	6090GT	SCREW,HHC,1/4-20 X .75	
4	6638GT	WASHER,FLAT,USS,1/4"Y	
5	56912GT	SPRING CLIP,1/4-20,.025-.15X.54,ZAG.....2	

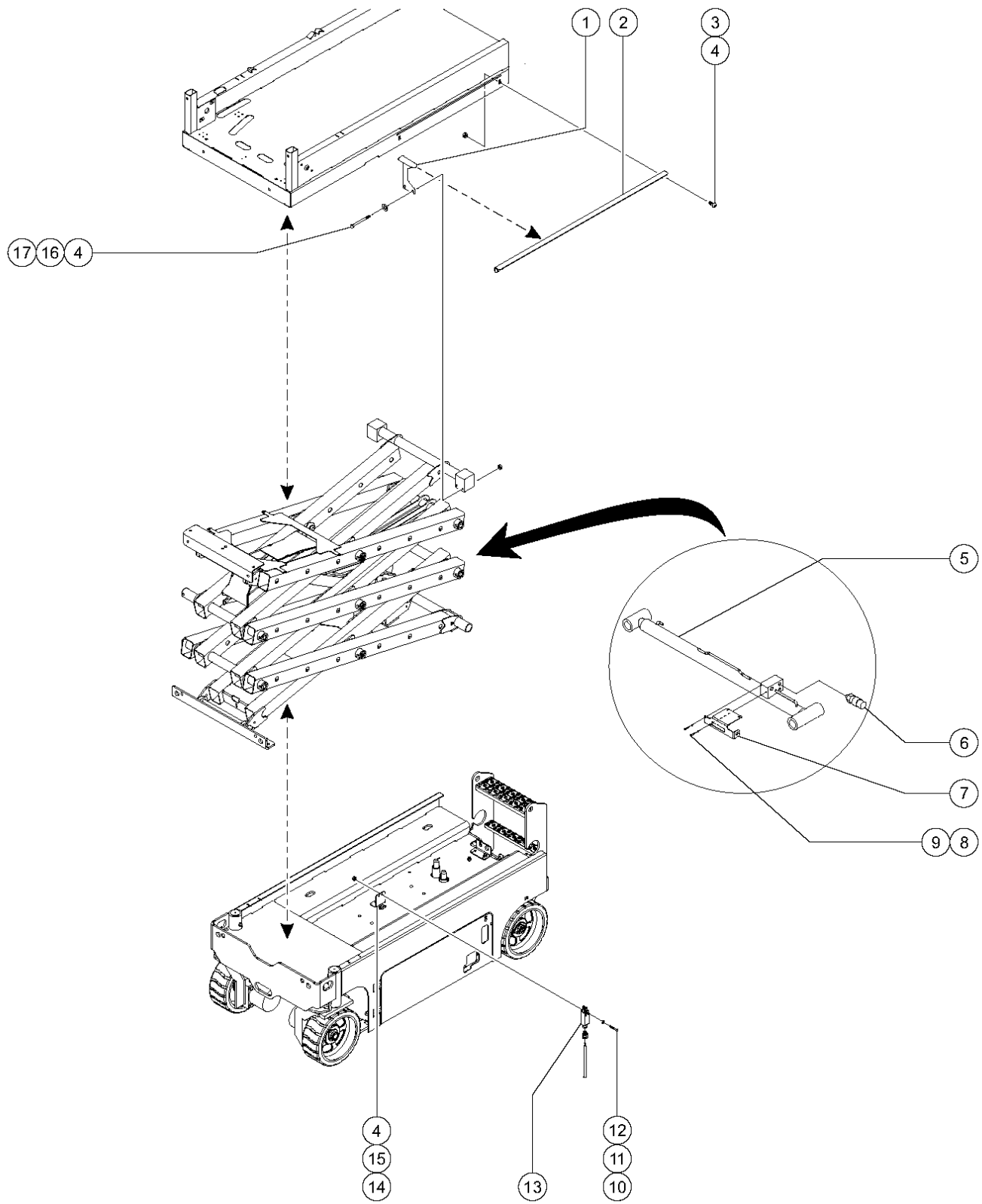
606.1 Pipe Cradle Assembly, GS-2046, GS-2646, GS-3246



606.1 Pipe Cradle Assembly, GS-2046, GS-2646, GS-3246

Item	Part No.	Description	Qty.
--	72878GT	PIPE CRDL,SQ RAILINGS,GS46	
1	79156GT	PLATE,PIPE HOLDER, GS68.....	1
2	14033GT	SCREW,HHC,3/8-16 X 2.75	
3	6097GT	WASHER,FLAT,USS,3/8",Y	
4	4828GT	NUT,NYLOCK,3/8-16	
5	66171GT	CHANNEL,PIPE RACK.....	2
6	66472GT	U-BOLT, SQR, 3/8-16X2X5, PLTD.....	4
7	66169GT	FORMING, PIPE HOLDER RACK.....	1
8	66170GT	FORMING, PIPE RACK BASE.....	2
9	100810GT	BUCKLE & SLIDE STRAP SET.....	1
10	35643GT	BUCKLE,SIDE RELEASE.....	2
11	35642GT	STRAP,NYLON,1.0 IN. BLACK.....	96-inches

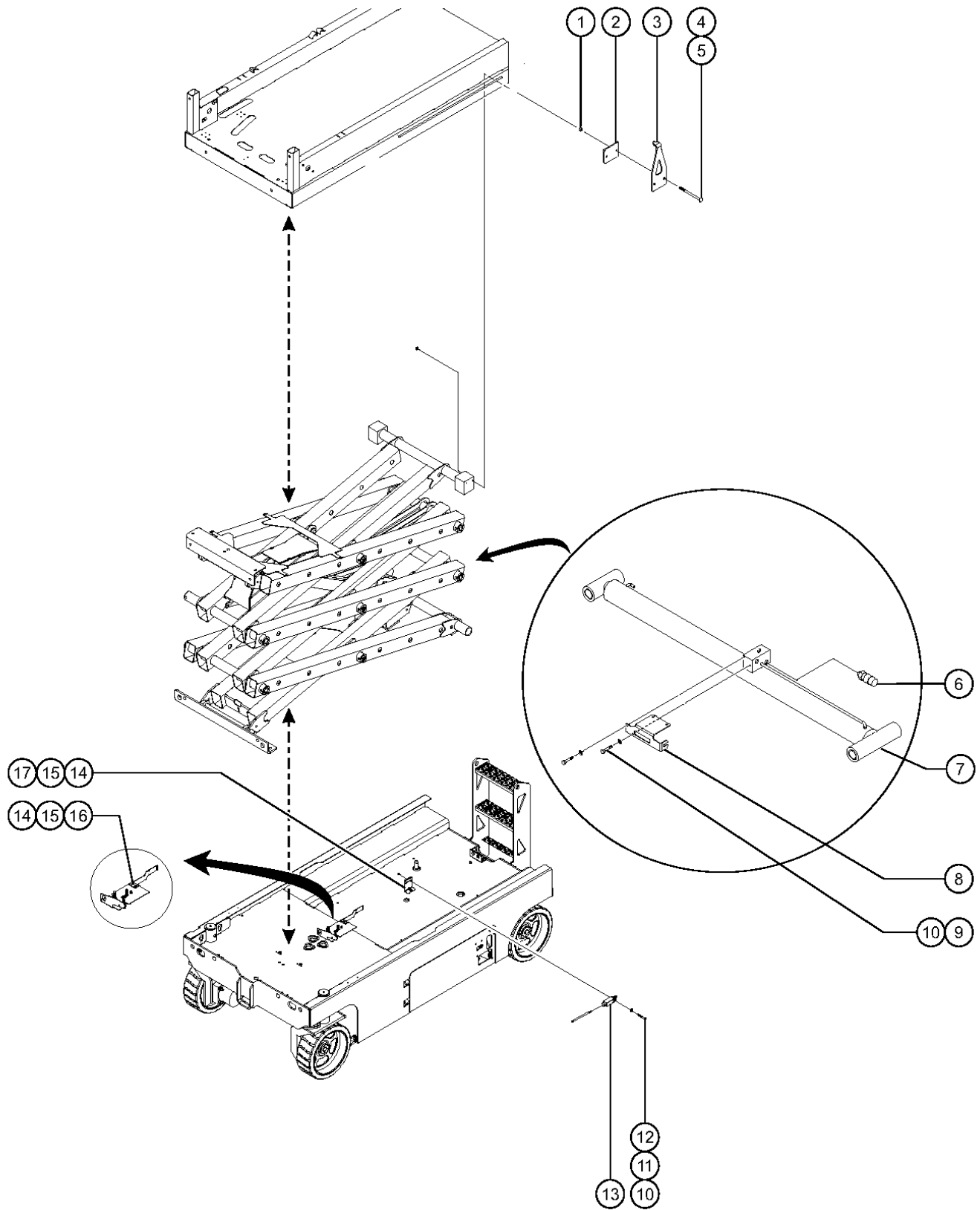
701.1 Platform Overload, GS-1530, GS-1532, GS-1930, GS-1932



701.1 Platform Overload, GS-1530, GS-1532, GS-1930, GS-1932

Item	Part No.	Description	Qty.
1	96539GT	FORMING, POINTER, 1532, LOAD SENS.....1 GS-1532	1
1A	96504GT	FORMING, POINTER, 1932, LOAD SENS GS-1932	
2	97396GT	LOAD DECAL BRK ASSY W/DECAL.....1 GS-1530, GS-1532 (Europe)	1
2A	115055GT	LOAD DECAL BRK ASSYW/DECAL1932 GS-1930, GS-1932 (Europe)	
3	6878GT	BOLT, CARRIAGE, 1/4-20 X .75, G2	
4	6889GT	NUT, LP NYLOCK, 1/4-20	
5		Ref. Lift Cylinder (refer to 506.1)	
6	105355GT	KIT, PRESS SWITCH RPLCMNT, MINI*...1 (CE models)	1
--		Ref. Hose Assembly (refer to 507.1)	
--	105241GT	HARNES, PRESS. SWITCH	
7	41557-SGT	CABLE BRACKET, PAINTED.....1	1
8	7339GT	SCREW, HHC, 1/4-20 X .5	
9	6356GT	WASHER, LOCK, .25	
10	51063GT	SCREW, PHILLIPS, RHM, 10-32 X 1.5	
11	6178GT	NUT, NYLOCK, 10-32	
12	6146GT	WASHER, FLAT, MS, #10, Y	
13		Ref. Wire Harness Assembly (refer to 211.1)	
--	19491GT	CONTACTOR, LIMIT SWITCH	
--	96948GT	SWITCH, LIMIT, W/ROLLER ARM***	
--	97128GT	ROLLER ARM, LIMIT SWITCH***	
14	96411GT	FORMING, BRKT, UP LIMIT SW.....1	1
15	6878GT	BOLT, CARRIAGE, 1/4-20 X .75, G2	
16	6638GT	WASHER, FLAT, USS, 1/4"Y	
17	6115GT	SCREW, HHC, 1/4-20 X 3.5	

702.1 Platform Overload, GS-2032, GS-2632, GS-3232, GS-2046, GS-2646, GS-3246



702.1 Platform Overload, GS-2032, GS-2632, GS-3232, GS-2046, GS-2646, GS-3246

Item	Part No.	Description	Qty.
--	97266GT	CE POINTER REPL KIT, GS32/46	
1	96904GT	SPACER,1/4ID X 1/2OD X .313	
2	96933GT	WEAR PAD, PLATFORM POINTER	
3	96872GT	FORMING, POINTER.....1	
4	96903GT	BOLT,CARRIAGE,1/4-20 X 3.50,G2	
5	6091GT	NUT,NYLOCK,1/4-20	
6	105356GT	KIT,PRESS SWTH RPLMNT,GS32/46*...1 (CE models)	
--		Ref. Hose Assembly (refer to 507.1)	
--	105241GT	HARNES, PRESS. SWITCH	
7		Ref. Lift Cylinder (refer to 506.1)	
8	41557-SGT	CABLE BRACKET,PAINTED.....1	
9	7339GT	SCREW,HHC,1/4-20 X .5	
10	6146GT	WASHER,FLAT,MS,#10,Y	
11	6178GT	NUT,NYLOCK,10-32	
12	51063GT	SCREW,PHILLIPS,RHM,10-32 X 1.5	
13		Ref. Wire Harness Assembly (refer to 211.1)	
--	19491GT	CONTACTOR,LIMIT SWITCH	
--	96948GT	SWITCH,LIMIT,W/ROLLER ARM***	
--	97128GT	ROLLER ARM,LIMIT SWITCH***	
14	6878GT	BOLT,CARRIAGE,1/4-20 X .75,G2	
15	6889GT	NUT,LP NYLOCK,1/4-20	
17	105139GT	FORMING, BRKT,UP LIMIT SW (from SN GS3205-62351 to GS3207-87113 and from GS4605-65067 to GS4607-86895)	
17A	105715GT	FORMING,UP LMT SW BRKT,32/46 (from SN GS3207-87114, GS3208C-101, GS4607-86896 and GS4609C-101)	
17B	105736GT	FRMING,LMT SWCH BRKT,3232 GS-3232 (from SN GS3207-87652)	

Part Number Index

The Part Number Index is a numeric index of all part numbers included in this manual. The index shows what page(s) the part is used on.

Part Number	Page	Part Number	Page	Part Number	Page	Part Number	Page
1000041GT	12	105211GT	119, 123	105576GT	107-108, 111-112	109958GT	117
1000042GT	12, 36, 60	105214GT	107-108, 111-112	105577GT	184	114136GT	41-42, 45, 47-48, 51-52, 57, 117
1000062GT	36, 42, 48	105216GT	87	105578GT	183-184		
1000143GT	60, 66, 71	105218GT	199	105579GT	183-184	114324GT	41-42, 45, 47-48, 51-52, 57
100810GT	203	105221GT	93	105580GT	183-184		
100839GT	101, 103	105241GT	205, 207	105616GT	117	114334GT	21, 33, 45, 57, 69, 77
100840GT	163	105243GT	181	105618GT	117		
100998GT	163	105247GT	183-184	105625GT	117	114337GT	21, 33, 45, 57, 69, 77
100999GT	163	105248GT	201	105626GT	117		
104804GT	152-153, 156, 159	105261GT	181	105627GT	117	114338GT	21, 33, 45, 57, 69, 77
105004GT	152-153	105262GT	181	105628GT	187		
105021GT	141-142	105263GT	181	105629GT	187	114359GT	42, 47-48, 52
105023GT	153	105264GT	181	105634GT	115	114360GT	17-18, 24, 28, 42, 47-48, 52, 66, 71, 73
105045GT	184	105273GT	97	105641GT	108, 112		
105046GT	184	105275GT	89	105643GT	123		
105051GT	79, 81	105280GT	127, 129, 131, 133	105644GT	123	114361GT	17-18, 21, 24, 28, 33, 42, 45, 47-48, 52, 57, 66, 69, 71, 73, 77
105055PGT	89	105288GT	101, 103	105645GT	191		
105057GT	152-153	105301GT	107-108, 111-112	105646GT	191	114362GT	42, 45, 47-48, 52, 57
105059GT	181	105303GT	169	105647GT	191		
105060GT	91	105304GT	169	105648GT	191	114368GT	52, 57
105067GT	175	105308GT	101, 103	105649GT	191	114370GT	21, 33, 45, 57, 69, 77
105069GT	91	105309GT	101, 103	105650GT	191		
105071GT	108	105310GT	87	105651GT	191	114371GT	45, 57, 77
105072GT	101, 103	105319GT	93	105652GT	187	114372GT	21, 33, 45, 57, 69, 77
105074GT	135, 137-138, 141-142	105320GT	107-108, 111-112	105662GT	117, 163		
105080GT	83-84	105321GT	107-108, 111-112	105664GT	87, 107-108, 111-112	114385GT	17-18, 24, 28, 42, 47-48, 52, 66, 71, 73
105085GT	127, 129, 131, 133	105322GT	107-108, 111-112	105672GT	105		
105090GT	161	105328GT	107-108, 111-112	105688GT	115	114386GT	17-18, 24, 28, 42, 48, 52, 66, 71, 73
105092GT	79, 83-84, 89, 115, 125, 135, 137-138, 141-142, 199	105329GT	108, 112	105692GT	87		
105093GT	153	105334GT	99	105695GT	187	114413GT	17-18
105099GT	153	105355GT	205	105712GT	117	114414GT	24
105100GT	83-84	105356GT	207	105715GT	207	114428GT	42, 48, 52
105109GT	165	105370GT	117	105732GT	105	114434GT	52, 57
105115GT	165	105386GT	107-108, 111-112	105733GT	105	115055GT	205
105117GT	161	105440GT	87	105734GT	105	115114GT	141-142
105118GT	161	105448GT	161	105736GT	87, 207	115115GT	141-142
105122GT	79, 83-84	105454GT	81, 83-84	105739GT	99	115156GT	95
105125GT	107-108, 111-112	105457GT	169	105758GT	115	115157GT	95
105129GT	199, 201	105462GT	169	105759GT	105	115158GT	103
105139GT	87, 207	105463GT	173	105797GT	193	115159GT	103
105140GT	83-84	105478GT	179	105801GT	183-184	115166GT	181
105142GT	87	105479GT	179	105802GT	183-184	115173GT	145-148
105146GT	153	105481GT	179	105803GT	184	115174GT	145-148
105150GT	93, 95, 97	105483GT	161	105804GT	184	115175GT	145-148
105156GT	89, 91	105544GT	179	105805GT	123	115176GT	145-148
105164GT	171	105545GT	179	105971GT	197	115177GT	145-148
105165GT	171	105546GT	179	105972GT	197	115178GT	145-148
105167GT	171	105547GT	167	105973GT	197	115179GT	145-148
105171GT	165	105548GT	179	105974GT	197	115180GT	145-148
105172GT	165	105549GT	179	105975GT	197	115181GT	145-148
105182GT	129, 133	105550GT	167	105990GT	163	115182GT	145-148
105183GT	129, 133	105553GT	167	105992GT	107-108, 111-112	115183GT	145-148
105184GT	129, 133	105554GT	167	10775GT	161	115184GT	146-148
105185GT	133	105555GT	167	10777GT	161	115185GT	146-148
105186GT	135, 138, 142	105556GT	193	109503GT	163	115186GT	146-148
105187GT	141-142	105557GT	193	109735GT	115	115187GT	146-148
105188GT	142	105564GT	179	109737GT	115	115188GT	146-148
105189GT	135, 137-138, 141-142	105565GT	79, 81	109745GT	115	115189GT	146-148
105190GT	135, 137-138, 142	105571GT	105	109749GT	115	115190GT	146-148
105191GT	135, 137-138, 142	105572GT	105	109750GT	187	115191GT	146-148
105192GT	142	105573GT	105	109756GT	187	115192GT	146-148
105193GT	135, 137-138, 141-142	105574GT	121	109757GT	189	115193GT	146-148
105209GT	95, 97, 119	105575GT	187	109877GT	187	115194GT	146-148
105210GT	119, 123			109878GT	187	115195GT	146-148
				109893GT	91	115196GT	146-148
				109894GT	91	115197GT	151-153
				109916GT	107-108, 111-112	115198GT	151-153
					112	115199GT	151-153
				109954GT	123	115236GT	151-153
						115237GT	151-153

Part Number	Page	Part Number	Page	Part Number	Page	Part Number	Page
115238GT	151-153	144002GT	152-153	161774GT	77	233245GT	23-24
115239GT	151-153	144009GT	197	161775GT	77	233246GT	27-28
115240GT	151-153	144011GT	197	161776GT	77	233247GT	27-28
115241GT	151-153	144026GT	197	161812GT	71	233248GT	27-28
115242GT	151-153	144027GT	197	161814GT	71	233249GT	27-28
115243GT	151-153	144028GT	197	161816GT	71	233250GT	27-28
115244GT	151-153	144029GT	197	161818GT	73	233251GT	27-28
115245GT	151-153	144046GT	193	161820GT	73	233252GT	27-28
115246GT	151-153	144065GT	163	161822GT	73	233253GT	27-28
115247GT	151-153	144130GT	99	16487GT	87	233254GT	31
115248GT	151-153	144142GT	83-84	18383GT	135, 137-138, 141-142	233255GT	31
115249GT	152-153	144161GT	161	18503GT	93, 95, 97	233256GT	31
115250GT	152-153	144175GT	159	18504GT	87, 93, 95, 97, 101, 103, 105, 119, 135, 137- 138, 141-142	233257GT	31
115251GT	152-153	144180GT	99			233258GT	31
115252GT	155-156	144204GT	153			233259GT	31
115253GT	155-156	144206GT	147-148, 153			233260GT	31
115254GT	155-156	144226GT	87			233261GT	31
115255GT	155-156	144374GT	79, 81	18605GT	87, 161	233262GT	21, 33
115256GT	155-156	144375GT	83-84	18722GT	81	233263GT	21, 33
115257GT	155-156	144381GT	83-84	19491GT	87, 89, 91, 205, 207	233264GT	21, 33
115258GT	155-156	144382GT	83-84			233265GT	21, 33
115259GT	155-156	144383GT	83-84	19506GT	105	233266GT	21, 33
115260GT	155-156	144385GT	83-84	20224GT	169, 173	233267GT	21, 33
115261GT	155-156	144387GT	83-84	20923GT	181	233268GT	21, 33
115262GT	155-156	144388GT	83-84	21253GT	79, 81	233269GT	21, 33
115263GT	155-156	144389GT	83-84	21279GT	147-148, 152- 153, 155-156	233278GT	41-42
115286GT	117	144391GT	83-84			233279GT	41-42
119619GT	79	144655GT	187	219480GT	99	233280GT	41-42
12016GT	89, 91	145284GT	93, 95	22446GT	153, 156, 159	233281GT	41-42
1255797GT	87	150104GT	173	226163GT	101, 103	233282GT	45
1257054GT	112	150105GT	173	22664GT	181, 183-184	233283GT	45
1257055GT	112	150157GT	165	227261GT	28	233284GT	45
1257056GT	112	15086GT	81	227262GT	52	233285GT	45
1257057GT	112	160854GT	35-36	227263GT	73	233286GT	45
1257058GT	112	160855GT	35-36	228786GT	111-112	233287GT	45
1257059GT	112	160856GT	35-36	229453GT	177	233308GT	57
1257204GT	101, 103	160857GT	35-36	229750GT	187	233309GT	57
1257205GT	101, 103	160858GT	35-36	229990GT	193	233310GT	57
1257840GT	101, 103	160859GT	35-36	230364GT	81	233311GT	57
1259223GT	147-148, 152- 153, 155-156	160860GT	35-36	231112GT	147-148	233312GT	57
1260941GT	131, 135, 137- 138, 141-142	160861GT	35-36	23112GT	147-148	233313GT	57
1261334GT	112	160863GT	39	231558GT	17-18	233314GT	59-60
1261335GT	112	160864GT	39	231559GT	17-18	233315GT	59-60
1261888GT	169, 173	160865GT	55	231560GT	41-42	233316GT	59-60
1264129GT	87	160866GT	55	231561GT	41-42	233317GT	59-60
1277997GT	165	160867GT	39	231931GT	193	233318GT	59-60
1280665GT	161	160868GT	39	232531GT	97	233319GT	59-60
1288153GT	163	160869GT	55	232534GT	101, 103	233320GT	63
13000GT	95	160870GT	55	232576GT	112	233321GT	63
130011GT	184	161115GT	47-48	232578GT	112	233322GT	63
131582GT	87	161116GT	47-48	232582GT	112	233323GT	63
133213GT	17-18, 21, 42, 45, 66, 69	161117GT	47-48	233220GT	11-12	233324GT	63
133239GT	33	161118GT	47-48	233221GT	11-12	233325GT	63
133240GT	33	161119GT	47-48	233222GT	11-12	233350GT	63
133241GT	57	161120GT	47-48	233223GT	11-12	233351GT	63
133242GT	57	161127GT	51-52	233224GT	11-12	233352GT	63
133243GT	77	161128GT	51-52	233225GT	11-12	233353GT	63
133244GT	77	161129GT	51-52	233226GT	11-12	233354GT	63
133245GT	77	161130GT	51-52	233227GT	11-12	233355GT	63
133276GT	18, 24, 28, 42, 48, 52, 66, 71, 73	161131GT	51-52	233228GT	15	233366GT	97
133531GT	42, 45, 52, 57	161181GT	51-52	233229GT	15	233368GT	112
13585GT	161	161759GT	65-66	233230GT	15	233370GT	112
13635-10GT	81	161760GT	65-66	233231GT	15	233371GT	112
137769GT	93, 95, 97	161761GT	65-66	233232GT	17-18	233379GT	101
137770GT	93, 95, 97	161762GT	65-66	233233GT	17-18	233430GT	112
13921GT	181, 183-184, 187, 191	161763GT	65-66	233234GT	21	233431GT	112
14033GT	127, 129, 131, 133, 138, 203	161764GT	65-66	233235GT	21	233438GT	111-112
14297GT	87, 101, 103, 105	161765GT	69	233236GT	21	233439GT	111-112
144000GT	152-153	161766GT	69	233237GT	21	233440GT	111-112
144001GT	152-153	161767GT	69	233238GT	23-24	233641GT	177
		161768GT	69	233239GT	23-24	233711GT	111-112
		161769GT	69	233240GT	23-24	233782GT	111-112
		161770GT	69	233241GT	23-24	233785GT	111-112
		161771GT	77	233242GT	23-24	233934GT	59-60
		161772GT	77	233243GT	23-24	233935GT	59-60
		161773GT	77	233244GT	23-24	233936GT	59-60



Part Number Index (continued)

Part Number	Page	Part Number	Page	Part Number	Page	Part Number	Page
233937GT	59-60	35461GT	87	43619GT	11-12, 17-18,		66, 69, 71, 73,
233938GT	59-60	35642GT	203		23-24, 27-28,		75, 77
233939GT	59-60	35643GT	203		35-36, 41-42,	44981GT	11-12, 15, 17-
234939GT	11-12	36369GT	125		47-48, 51-52,		18, 21, 23-24,
234940GT	11-12	37947GT	105		59-60, 65-66,		27-28, 31, 33,
234941GT	11-12	39232GT	87		71, 73		35-36, 39, 41-
234942GT	11-12	39310GT	147-148, 152-	43658GT	11-12, 15, 17-		42, 45, 47-48,
24514GT	148, 153, 156		153, 156		18, 21, 23-24,		51-52, 55, 57,
25388GT	161	39469GT	87, 147-148,		27-28, 31, 33,		59-60, 63, 65-
27903GT	195		152-153, 155-		35-36, 39, 41-		66, 69, 71, 73,
28164GT	11-12, 35-36,		156		42, 45, 47-48,		75, 77
	59-60	39470GT	147-148, 152-		51-52, 55, 57,	45454GT	195
28171GT	11-12, 35-36,		153, 155-156		59-60, 63, 65-	45546GT	161
	59-60	39474GT	147-148, 152-		66, 69, 71, 73,	45748GT	79, 127, 129,
28174GT	11-12, 15, 17-		153, 156		75, 77		131, 133, 135,
	18, 21, 23-24,	39509GT	152-153, 159	43685GT	177		137-138, 141-
	27-28, 31, 33,	39510GT	152-153, 159	43696GT	11-12, 35-36,		142
	35-36, 39, 41-	39520GT	101, 103		59-60	46216GT	169
	42, 45, 47-48,	39521GT	101, 103	43956GT	108, 112, 161	46260GT	147-148, 152-
	51-52, 55, 57,	39540GT	87, 193	44168GT	169, 173		153, 155-156
	59-60, 63, 65-	39542GT	89, 91	44169GT	169, 173	46262GT	11-12, 35-36,
	66, 69, 71, 73,	39579GT	147-148, 152-	44171GT	173		59-60
	75, 77		153, 156	44174GT	169, 173, 189	46287GT	35-36, 41-42,
28175GT	11-12, 17-18,	39673GT	101, 103	44175GT	173, 189		47-48, 51-52,
	23-24, 27-28,	39873GT	181, 183-184	44207GT	167		59-60, 65-66,
	35-36, 41-42,	39875GT	187, 191	44226GT	169, 173		71, 73
	47-48, 51-52,	39876GT	181, 183-184	44227GT	169, 179, 189	47098GT	147-148, 152-
	59-60, 65-66,	39877GT	175, 181, 183-	44228GT	187		153, 156
	71, 73		184, 191	44229GT	169, 173	47124GT	107-108, 111-
28176GT	11-12, 17-18,	39878GT	179, 181, 183-	44230GT	169, 173, 189		112
	23-24, 27-28,		184, 191	44236GT	173	47163GT	147-148, 152-
	35-36, 41-42,	39881GT	181, 184	44255GT	11-12, 17-18,		153, 155-156
	47-48, 51-52,	39882GT	181, 183-184		23-24, 27-28,	47188GT	152-153, 159
	59-60, 65-66,	40434GT	11-12, 15, 17-		35-36, 41-42,	47224GT	152-153, 159
	71, 73		18, 21, 23-24,		47-48, 51-52,	47225GT	147-148, 152-
			27-28, 31, 33,		59-60, 65-66,		153, 155-156
28235GT	11-12, 15, 17-		35-36, 39, 41-	44716GT	177	47231GT	147-148, 152-
	18, 21, 23-24,		42, 45, 47-48,	44736GT	11-12, 17-18,		153, 156
	27-28, 31, 33,		51-52, 55, 57,		23-24, 27-28,	47232GT	87
	35-36, 39, 41-		59-60, 63, 65-		35-36, 41-42,	47374GT	147-148, 152-
	42, 45, 47-48,		66, 69, 71, 73,		47-48, 51-52,		153, 156
	51-52, 55, 57,		75, 77		59-60, 65-66,	47548GT	79
	59-60, 63, 65-	40477GT	179		71, 73	47662GT	107-108, 111-
	66, 69, 71, 73,	40833GT	93, 95, 97, 107-	44737GT	11-12, 17-18,		112
	75, 77		108, 111-112		23-24, 27-28,	47666GT	127, 129, 131,
28236GT	11-12, 17-18,	40844GT	177		35-36, 41-42,		133
	23-24, 27-28,	40945GT	187		47-48, 51-52,	47675-SGT	193
	35-36, 41-42,	41557-SGT	179, 205, 207		59-60, 65-66,	47946GT	81
	47-48, 51-52,	41630GT	147-148, 152-		71, 73	48282GT	161
	59-60, 65-66,		153, 155-156			4828GT	79, 83-84, 89,
	71, 73	42079GT	79, 83-84	44743GT	148, 153, 156		91, 115, 125,
28443GT	152-153, 159,	42283GT	181, 183-184	44750GT	177		127, 129, 131,
	179, 195, 197	4266GT	152-153, 156,	44751GT	177		133, 135, 137-
30217GT	127, 129, 131,		159	44752GT	177		138, 141-142,
	133, 137-138	43089GT	11-12, 17-18,	44753GT	11-12, 17-18,		152-153, 156,
30784-2550GT	93, 95, 97		23-24, 27-28,		23-24, 27-28,		159, 199, 203
31060GT	11-12, 17-18,		35-36, 41-42,		35-36, 41-42,	48880GT	169, 173
	23-24, 27-28,		47-48, 51-52,		47-48, 51-52,	48997GT	169, 173
	35-36, 41-42,		59-60, 65-66,		59-60, 65-66,	49412GT	117
	47-48, 51-52,		71, 73		71, 73	49612GT	169, 173, 189
	59-60, 65-66,	43093GT	11-12, 17-18,	44777GT	177	49613GT	169, 173, 189
	71, 73		23-24, 27-28	44778GT	177	49775GT	91
31508GT	11-12, 17-18,	43137GT	105	44780GT	79, 81, 83-84	49812GT	177
	23-24, 27-28,	43392GT	153, 156	44781GT	79, 81, 83-84	49816GT	103, 193
	35-36, 41-42,	43617GT	11-12, 35-36,	44788GT	167	49818GT	97
	47-48, 51-52,		59-60	44936GT	161	50793GT	197
	59-60, 65-66,	43618GT	11-12, 15, 17-	44973GT	179	51063GT	205, 207
	71, 73		18, 21, 23-24,	44979GT	179	51075GT	107-108, 111-
31788GT	17-18, 23-24,		27-28, 31, 33,	44980GT	11-12, 15, 17-		112
	27-28, 41-42,		35-36, 39, 41-		18, 21, 23-24,	51152GT	184
	47-48, 51-52,		42, 45, 47-48,		27-28, 31, 33,	51474GT	125
	65-66, 71, 73		51-52, 55, 57,		35-36, 39, 41-	51577GT	101, 103
33278GT	93, 95, 97		59-60, 63, 65-		42, 45, 47-48,	51578GT	101, 103
33724GT	161		66, 69, 71, 73,		51-52, 55, 57,	5224GT	147-148, 152-
33784GT	197		75, 77		59-60, 63, 65-		153, 155-156,
34742GT	89, 91						159
35059GT	105						

Part Number Index (continued)

Part Number	Page	Part Number	Page	Part Number	Page	Part Number	Page
52376GT	189	62054GT	11-12, 15, 17-18, 21, 23-24, 27-28, 31, 33	66920GT	156	76502GT	93, 95, 97
52380GT	189			66923GT	156	7713GT	147-148, 152-153, 155-156, 159
52475GT	11-12, 15, 17-18, 21, 23-24, 27-28, 31, 33, 35-36, 39, 41-42, 45, 47-48, 51-52, 55, 57, 59-60, 63, 65-66, 69, 71, 73, 75, 77	62055GT	35-36, 39, 41-42, 45, 47-48, 51-52, 55, 57	6700GT	91	77709GT	169, 173
				6714GT	87	78006GT	177
		62056GT	59-60, 63, 65-66, 69, 71, 73, 75, 77	67744GT	187	78022GT	148, 152-153, 156
				6782GT	197	78029GT	159
		62057GT	59-60, 63, 65-66, 69, 71, 73, 75, 77	6878GT	87, 95, 97, 103, 105, 123, 135, 141-142, 161, 193, 205, 207	78038GT	147-148, 152-153, 156
53500GT	183-184			6886GT	197	78086GT	89, 91
53501GT	181	62058GT	59-60, 63, 65-66, 69, 71, 73, 75, 77	6888GT	79, 101, 115	78098GT	103, 111-112, 193
5365GT	123			6889GT	93, 95, 97, 101, 103, 105, 123, 205, 207	78422GT	119, 121, 123, 167
5397GT	89, 91, 97, 148, 153, 159, 197	62164GT	163	6898GT	89, 91	78546GT	101, 103
54380GT	87	6272GT	105	69229GT	197	78622GT	167
55010GT	99	6326GT	135, 137-138, 141-142	6935GT	161	78680GT	83-84
55018GT	99			7056GT	161	78732GT	83-84
55019GT	99	6356GT	93, 97, 101, 103, 115, 117, 135, 137-138, 141-142, 163, 179, 205	7127GT	161	78736GT	79, 81, 87, 135, 137-138, 141-142
55021GT	99			71484GT	123		
55355GT	91			71706GT	99	78864GT	181
55558GT	179	64154GT	91	71874GT	123	78903GT	165
55560GT	179	65052GT	11-12, 17-18, 23-24, 27-28, 35-36, 41-42, 47-48, 51-52, 59-60, 65-66, 71, 73	71875GT	105	78903HGT	165
55675GT	95, 97, 103			71876GT	105	79136GT	105
55906GT	161	65439GT	197	71877GT	105	79156GT	203
55917GT	79, 81	6545GT	79, 81	72086GT	17-18, 21, 23-24, 27-28, 33, 41-42, 45, 47-48, 51-52, 57, 65-66, 69, 71, 73, 77	79456GT	93, 101, 103, 119
55921GT	177	6564GT	89, 91			80149GT	123
56302GT	101, 107-108	65721GT	197	72143GT	11-12, 15, 17-18, 21, 23-24, 27-28, 31, 33, 35-36, 39, 41-42, 45, 47-48, 51-52, 57, 65-66, 69, 71, 73	81579GT	193
56912GT	87, 101, 103, 105, 115, 201	65818GT	105			8178GT	127, 129, 131, 133, 148, 153, 159
56926GT	107-108, 111-112	6595GT	161			82052-SGT	155-156
57075GT	161	65962GT	169, 173			82053-SGT	156
58000GT	127, 129, 131, 133, 135, 137-138	65990-SGT	153, 156, 159			82160GT	11-12, 17-18, 23-24, 27-28, 35-36, 41-42, 47-48, 51-52, 59-60, 65-66, 71, 73
		66030GT	148, 152-153, 156				
58001GT	141-142	66055GT	135, 137-138, 141-142	72326GT	87, 163, 193	82161GT	11-12, 17-18, 23-24, 27-28, 35-36, 41-42, 47-48, 51-52, 59-60, 65-66, 71, 73
58592GT	79, 81, 87, 135, 137-138, 141-142	66094GT	97	72853GT	11-12, 17-18, 23-24, 27-28, 35-36, 41-42, 47-48, 51-52, 59-60, 65-66, 71, 73		
		66169GT	203				
59626GT	107-108	66170GT	203				
6002GT	147-148, 152-153, 155-156	66171GT	203				
6021GT	147-148, 152-153, 155-156, 177	66204GT	101, 103	72878GT	203	82287GT	11-12, 23-24, 27-28, 31, 33
60790GT	83-84, 91, 115, 141-142	6626GT	161	72970GT	11-12, 17-18, 23-24, 27-28, 35-36, 41-42, 47-48, 51-52, 59-60, 65-66, 71, 73	82307GT	35-36, 47-48, 51-52
6090GT	93, 101, 103, 117, 163, 199, 201	66353GT	161			82366GT	11-12, 17-18, 23-24, 27-28, 35-36, 41-42, 47-48, 51-52, 59-60, 65-66, 71, 73
		66355GT	161				
6091GT	79, 81, 87, 93, 95, 97, 103, 119, 123, 127, 131, 135, 137-138, 141-142, 152-153, 156, 159, 161, 193, 207	66356GT	161				
		6637GT	87				
		66389GT	184				
		6638GT	93, 95, 97, 101, 103, 115, 119, 141-142, 152-153, 156, 159, 193, 201, 205	72973GT	35-36, 39, 41-42, 45, 47-48, 51-52, 55, 57	82447GT	11-12, 35-36, 59-60
6097GT	79, 83-84, 91, 147-148, 152-153, 155-156, 203	66397GT	97			82473GT	21, 33, 45, 57, 69, 77
		66465GT	179			82474GT	15, 21, 31, 33, 39, 45, 55, 57, 63, 69, 75, 77
		66472GT	203				
		66485GT	147-148, 152-153	72998GT	11-12, 17-18, 23-24, 27-28, 35-36, 41-42, 47-48, 51-52, 59-60, 65-66, 71, 73	82475GT	45, 57
6115GT	205					82476GT	15, 21, 31, 33, 39, 45, 55, 57, 63, 69, 75, 77
6145GT	95, 97, 119, 141-142	66544GT	153, 156, 159	72999GT	11-12, 17-18, 23-24, 27-28, 35-36, 41-42, 47-48, 51-52, 59-60, 65-66, 71, 73	82481GT	15, 21, 31, 33, 39, 45, 55, 57, 63, 69, 75, 77
		66717GT	93, 95, 97			82482GT	15, 21, 31, 33, 39, 45, 55, 57, 63, 69, 75, 77
6146GT	91, 205, 207	66770GT	79, 81				
6178GT	87, 91, 193, 205, 207	66812GT	105, 163				
		66817GT	105, 163				
6198GT	79, 81, 83-84, 115, 125	66818GT	105, 163				
		66883-SGT	148	7339GT	179, 205, 207		
62053GT	11-12, 15, 17-18, 21, 23-24, 27-28, 31, 33	66883GT	159	73575GT	101		
		66886GT	147-148	73587GT	101		
		66889-SGT	147-148	74006GT	161		
		66890-SGT	147-148	74267GT	97		
		66903-SGT	148, 159	75631GT	184		



Part Number Index (continued)

Part Number	Page	Part Number	Page	Part Number	Page	Part Number	Page
82485GT	11-12, 15, 17-18, 21	82664GT	27-28, 31, 33	84587GT	147-148, 152-153, 155-156	96246GT	147-148, 153, 156
82486GT	11-12, 15, 17-18, 21	82665GT	27-28, 31, 33	84590GT	147-148, 153	96257GT	167
82487GT	15, 21, 31, 33, 39, 45, 55, 57, 63, 69, 75, 77	82668GT	28, 31, 33	84674GT	152-153	96258GT	79
82495GT	15, 21, 31, 33, 39, 45, 55, 57, 63, 69, 75, 77	82693GT	35-36, 47-48	84675GT	152-153	96283GT	127, 129, 131, 133
82496GT	15, 21, 39, 45	82694GT	35-36, 41-42	84676GT	152-153	96298GT	107-108
82497GT	31, 33, 55, 57, 75, 77	82695GT	35-36, 41-42	84677GT	152-153	96299GT	107-108, 112
825019GT	133, 135, 137-138, 141-142	82699GT	39, 45	84678GT	152-153	96300GT	108
82501GT	15, 21	82701GT	39, 45	84679GT	152-153	96302GT	107-108, 112
82502GT	15, 21, 31, 33, 39, 45, 55, 57, 63, 69, 75, 77	82703GT	60, 63, 65-66, 69, 71, 73, 75, 77	84680GT	153	96303GT	108, 112
82506GT	41-42, 47-48, 51-52	82704GT	60, 63, 65-66, 69, 71, 73, 75, 77	84681GT	153	96304GT	107-108, 112
82557GT	11-12, 17-18, 23-24, 27-28, 35-36, 41-42, 47-48, 51-52, 59-60, 65-66, 71, 73	82705GT	60, 63, 65-66, 69, 71, 73, 75, 77	84682GT	153	96306GT	108, 112
82558GT	11-12, 17-18, 23-24, 27-28, 35-36, 41-42, 47-48, 51-52, 60, 65-66, 71, 73	82710GT	60, 65-66, 71	84683GT	153	96307GT	108, 111-112
82559GT	11-12, 17-18, 23-24, 27-28, 35-36, 41-42, 47-48, 51-52, 60, 65-66, 71, 73	82726GT	60, 65-66, 71	84684GT	153	96308GT	107-108, 111-112
8255GT	79, 81, 147-148, 153, 156	82727GT	60, 65-66, 71	84685GT	152-153	96309GT	107-108, 111-112
82560GT	12, 15, 21, 31, 33, 39, 45, 55, 57, 63, 69, 75, 77	82728GT	60, 65-66	84686GT	153	96317GT	89
82561GT	12, 17-18, 23-24, 27-28, 35-36, 41-42, 47-48, 51-52, 60, 65-66, 71, 73	82729GT	60, 66	84687GT	153	96331GT	127, 129, 131, 133
82562GT	15, 21, 31, 33, 39, 45, 55, 57, 63, 69, 75, 77	82730GT	60, 66	84688GT	153	96336GT	147-148
82563GT	12, 17-18, 23-24, 35-36, 41-42, 47-48	82731GT	63, 69	84689GT	153	96344GT	107-108, 111-112
82564GT	12, 17-18, 23-24	82732GT	63, 69	84690GT	152-153	96348GT	181, 183-184
82565GT	12, 17-18	82733GT	63, 69	84691GT	135, 137-138	96350GT	181
82566GT	12, 23-24, 27-28	82734GT	63, 69	84692GT	135, 137-138	96351GT	181
82567GT	12, 15, 17-18, 21, 23-24, 27-28, 31, 33, 35-36, 39, 41-42, 45, 47-48, 51-52, 55, 57, 60, 63, 65-66, 69, 71, 73, 75, 77	82735GT	63, 69	84693GT	125	96352GT	181
82568GT	12, 23-24, 27-28, 31, 33	82736GT	63, 69	84694GT	125	96353GT	181
82570GT	12, 23-24, 27-28, 31, 33	82787GT	73, 75, 77	84695GT	125	96354GT	101, 103, 181, 184
82571GT	12, 24, 27-28, 31, 33	82788GT	73, 75, 77	84696GT	135	96355GT	101, 103, 181, 184
82656GT	15, 21, 39, 45	82789GT	73, 75, 77	84697GT	153	96356GT	103
82657GT	12, 17-18, 24, 27-28, 35-36, 41-42, 47-48, 51-52, 60, 65-66, 71, 73	82790GT	73, 75, 77	84698GT	137-138	96357GT	101
		82791GT	73, 75, 77	84699GT	81	96363GT	193
		82792GT	73, 75, 77	84739GT	175	96368GT	127, 131
		82905GT	75, 77	84740GT	175	96369GT	127, 131
		83093GT	105	84742GT	175	96387GT	107-108
		8342GT	191	84743GT	175	96388GT	167
		8357GT	79, 81, 83-84	84746GT	175	96390GT	127, 129, 133, 137-138
		84384GT	169, 173	84747GT	125	96391GT	181, 184
		84385GT	169, 173, 189	84748GT	175	96393GT	181
		84386GT	169, 173	8516GT	127, 129, 131, 133, 135, 137-138, 141-142	96394GT	181
		84387GT	167	85197GT	177	96395GT	181
		84388GT	179	85239GT	105	96396GT	181
		84390GT	105	87745GT	107-108, 111-112	96397GT	183-184
		84398GT	101	8914GT	193	96398GT	181, 183-184
		84400GT	101	8915GT	97, 127, 131, 135, 137-138, 141-142	96406GT	184
		84422GT	179	96008-SGT	105	96407GT	184
		84516GT	155-156	96010GT	105	96408GT	89, 91
		84517GT	155-156	96038GT	89	96411GT	205
		84518GT	155-156	96039GT	89	96413GT	147-148, 152-153, 155-156
		84519GT	155-156	96066GT	79	96415GT	125
		84520GT	155-156	96067GT	79	96417GT	167
		84521GT	155-156	96068GT	79	96419GT	167
		84522GT	155-156	96069GT	79	96422GT	89, 91
		84523GT	155-156	96085GT	89, 91	96423GT	81, 89, 91
		84524GT	155-156	96103GT	87	96429GT	107-108, 111-112
		84567GT	155-156	96113GT	93	96440GT	107-108, 111-112
		84568GT	155-156	96121GT	127, 129, 131, 133	96452GT	105
		84569GT	155-156	96126GT	125	96459GT	107-108, 111-112
		84571GT	79	96130GT	127, 129, 131, 133, 137-138	96465GT	83-84
		84574GT	89, 91	96131GT	127, 129, 131, 133	96466GT	83-84
		84578GT	127, 129	96134GT	89	96471GT	108, 112
		84579GT	131, 133	96135GT	89, 91	96473GT	108, 112
		84580GT	131, 133	96163GT	152-153, 159	96474GT	108, 112
		84581GT	127, 129, 131, 133	96193GT	177	96475GT	108, 112
		84582GT	127, 129, 131, 133	96203GT	83-84, 115	96476GT	108, 112
		84583GT	127, 129, 131, 133	96215GT	101	96484GT	193
		84584GT	127, 129, 131, 133	96236GT	161		
		84585GT	127, 129, 131, 133				
		84586GT	147-148, 153, 156				

Part Number Index (continued)

Part Number	Page	Part Number	Page	Part Number	Page	Part Number	Page
96487GT	127, 129, 131, 133	96862GT	135, 137-138, 141-142	97123GT	147-148	97303GT	151-153
96489GT	107-108, 111-112	96866GT	135, 137-138, 141-142	97125GT	93	97304GT	151-153
96493GT	87	96870GT	87	97126GT	93	97305GT	152-153
96502GT	107-108, 111-112	96872GT	207	97128GT	87, 89, 91, 205, 207	97396GT	205
96504GT	205	96876GT	83-84	97129GT	179	97409GT	173
96515-SGT	195	96880GT	184	97130GT	179	97582GT	31, 33, 55, 57
96516-SGT	195	96885GT	184	97131GT	179	97618GT	12, 24, 28
96520GT	107-108, 111-112	96886GT	83-84	97132GT	147-148	97662GT	60, 71, 73
96521GT	107-108, 111-112	96887GT	83-84	97133GT	147-148	97663GT	60, 71, 73
96522GT	107-108, 111-112	96899GT	135, 137-138, 141-142	97233GT	135	97683GT	51-52, 55, 57
96524GT	89, 91	96900GT	135, 137-138, 141-142	97234GT	135, 137-138, 141-142	97684GT	51-52, 55, 57
96539GT	205	96903GT	87, 141-142, 207	97235GT	135, 137-138, 141-142	97685GT	51-52, 55, 57
96541GT	89, 91	96904GT	207	97236GT	135, 137-138, 141-142	97686GT	51-52, 55, 57
96542GT	195	96905GT	135, 137-138	97237GT	135, 137-138, 141-142	97692GT	35-36, 39, 41-42, 45, 47-48, 51-52, 55, 57
96543GT	195	96907GT	81	97238GT	135, 137-138, 141-142	97693GT	35-36, 39, 41-42, 45, 47-48, 51-52, 55, 57
96572GT	81	96932GT	135, 137-138, 141-142	97239GT	135, 137-138, 141-142	97694GT	36, 47-48, 51-52
96573GT	81	96933GT	207	97241GT	125	97712GT	12, 17-18, 24, 28, 36, 41-42, 47-48, 51-52, 60, 66, 71, 73
96576GT	125	96946GT	107-108	97242GT	156	97719GT	15, 21, 31, 33, 39, 45, 55, 57, 63, 69, 75, 77
96595GT	125	96947GT	108, 112	97243GT	137-138	97722GT	12, 15, 17-18, 21, 24, 28, 31, 33, 36, 39, 41-42, 45, 47-48, 51-52, 55, 57, 60, 63, 66, 69, 71, 73, 75, 77
96605GT	135, 137-138, 141-142	96948GT	87, 89, 91, 205, 207	97244GT	137-138	99089GT	107-108, 111-112
96608GT	142	96950GT	199, 201	97245GT	141-142	T108044GT	163
96611GT	135, 141-142	96971GT	141-142	97246GT	141-142	T109012GT	101, 103
96615GT	137-138	96977GT	125	97249GT	156	T110890GT	111-112
96616GT	137-138	96978GT	135, 137-138, 141-142	97250GT	156	T110891GT	111-112
96637GT	91	96990-SGT	195	97251GT	156	T112563GT	161
96638GT	91	96991-SGT	195	97252GT	156	T113787GT	147-148, 153, 156
96639GT	91	97013GT	165	97253GT	156	T114691GT	105
96642GT	89, 91	97014GT	165	97254GT	156		
96643GT	91	97015GT	165	97255GT	156		
96661GT	135, 141-142	97034GT	147-148	97256GT	156		
96662GT	135, 137-138, 141-142	97041GT	147-148	97257GT	156		
96663GT	141-142	97044GT	152-153	97258GT	156		
96697GT	181	97059GT	99	97259GT	156		
96699GT	101, 103	97081GT	145-148	97260GT	156		
96700GT	141-142	97082GT	145-148	97262GT	156		
96709GT	101, 103	97083GT	145-148	97263GT	156		
96731-SGT	195	97084GT	145-148	97264GT	156		
96735GT	135, 137-138, 141-142	97085GT	145-148	97265GT	156		
96744GT	183-184	97086GT	145-148	97266GT	207		
96745GT	183-184	97087GT	145-148	97267GT	81		
96746GT	183-184	97088GT	145-148	97271GT	105		
96747GT	183-184	97089GT	146-148	97273GT	156		
96748GT	184	97090GT	146-148	97274GT	156		
96749GT	184	97091GT	146-148	97275GT	159		
96750GT	184	97092GT	146-148	97276GT	159		
96755GT	87	97093GT	145-148	97277GT	159		
96770GT	179	97094GT	145-148	97278GT	159		
96786GT	135, 137-138, 141-142	97095GT	145-148	97279GT	159		
96787GT	135, 137-138, 141-142	97096GT	145-148	97280GT	159		
96812GT	137-138, 141-142	97097GT	146-148	97281GT	156		
96819GT	107-108	97098GT	146-148	97282GT	156		
96820GT	107-108, 111-112	97099GT	146-148	97283GT	156		
96836GT	135, 137-138, 141-142	97100GT	146-148	97284GT	152-153		
96839GT	89, 91	97101GT	146-148	97285GT	152-153		
96844GT	147-148	97102GT	146-148	97286GT	153		
96852GT	108, 111-112	97103GT	146-148	97287GT	153		
96853GT	107-108, 111-112	97104GT	146-148	97288GT	159		
96854GT	147-148, 153	97105GT	159	97289GT	159		
96855GT	101, 103	97110GT	152-153, 159	97290GT	151-153		
96856GT	108, 112	97111GT	159	97291GT	151-153		
		97112GT	159	97292GT	151-153		
		97115GT	147-148	97293GT	151-153		
		97116GT	147-148	97294GT	151-153		
		97117GT	147-148	97295GT	151-153		
		97118GT	147-148	97296GT	151-153		
		97119GT	147-148	97297GT	151-153		
		97120GT	147-148	97298GT	151-153		
		97121GT	147-148	97299GT	151-153		
		97122GT	147-148	97300GT	152-153		
				97301GT	152-153		
				97302GT	151-153		



Part Description Index

The Part Description Index is an alphabetical index of all part descriptions included in this manual. The index shows what page(s) the part is used on.

- 1**
126,DYN.BRAKING,MANIF,32/46.....173
- A**
ACCESSORY,MINI CHK VAL MANIF.....171
ACCUMULATOR, 180 P S I
PRECHARGE*.....119, 121, 123, 167
AIR TO PLAT, GS15, ACC.....195
AIR TO PLAT, GS19, ACC.....195
AIR TO PLAT, GS20XX, ACC.....195
AIR TO PLAT, GS26XX, ACC.....195
AIR TO PLAT, GS3246, ACC.....195
ALARM ASSY,12VDC,ITT,4 PIN****.....163
ALARM,STEADY TONE***.....87, 193
ASSY, RELAY HARNESS, CE...107-108, 111-112
ASSY,22 FT LIMIT SWITCH,GS3232.....87, 107-108, 111-112
ASSY,DECAL PLATE,ANSI/CSA,GS32.....147-148, 153
ASSY,DIODE.....193
ASSY,EXT. RIGID RAIL,GS32,WORD.....153
ASSY,GS BATTERY TRAY.....97
ASSY,LEVEL SENS HARNESS.....107-108, 111-112
ASSY,LEVEL SENS HARNESS,CE..107-108, 111-112
ASSY,MAIN HARNESS,CE.....107-108, 111-112
ASSY,MOTOR CONTRL HARN,CE.....107-108
ASSY,MOTOR CONTROL HARNESS.....107-108, 111-112
ASSY, MOTOR CONTROL HARNESS,CE.....111-112
ASSY,POT HOLE PUSHER,GS***.....89, 91
ASSY,POTHOLE HARNESS GS32/GS46.....107-108, 111-112
ASSY,POTHOLE HARNESS,GS.....107-108, 111-112
ASSY,PRESS SW HARNESS...107-108, 111-112
ASSY,RELAY HARNESS.....107-108, 111-112
ASSY,RELAY HARNESS,CE.....107-108, 111-112
ASSY,SWITCH,TOGGLE,SPDT*****.....105
ASSY,UP LIMIT SW HARNESS,MINI.....107-108, 111-112
ASSY,UP-LIMIT SW HARNESS.....107-108, 111-112
- B**
BALL STUD, GAS STRUT, 3/8-16.....89, 91
BAR, CABLEBRIDGE, LONG....135, 137-138, 141-142
BAR,CABLE BRIDGE ARM,UPPER.....135, 137-138, 141-142
BASE WITH 1 NC CONTACT, E-STOP.....105, 163
BATTERY TRAY ASSEMBLY W/SYMBOL DECALS.....95
BATTERY TRAY ASSEMBLY W/WORD DECALS.....95
BATTERY TRAY ASSY W/SYMBOLS***.....93
BATTERY TRAY ASSY W/WORDS***.....93
- BATTERY WATERING HAND PUMP.....93, 95, 97
BATTERY WATERING KIT, 24V UNIV.....93, 95, 97
BATTERY, AGM, 6V, (TROJAN) ***.....93, 95, 97
BATTERY,T105 W/LPT,3 CAP,DRY**.....93, 95, 97
BEARING,.75ID X 1.00D X 1.38LG.....89, 91
BEARING,0.75IDX1.00ODX0.75L.....125
BEARING,1.00IDX1.25ODX0.49L.....81
BEARING,1.00IDX1.25ODX0.75L.....125
BEARING,1.26IDX1.53ODX1.25L.....127, 129, 131, 133
BEARING,1.5025IDX1.5075ODX1.5L.....179
BEARING,1.50IDX1.77ODX1.25L.....135, 137-138, 141-142
BEARING,1.523IDX1.75ODX0.63L.....89, 91
BEARING,1.5IDX1.75ODX1.5L,PTFE.....79
BEARING,2.25IDX2.50ODX1.50L***.....81
BEARING,FL,0.75ID X 1 OD X .49.....79
BEARING,MOTOR.....177
BEARING,MOTOR,36843,BRUSH END*.....177
BOLT, CARRIAGE, 3/8-16 X 1.50, G5.....83-84, 91, 115, 141-142
BOLT,CARRIAGE,#10-24X.50,G2.....123
BOLT,CARRIAGE,1/2-13X1.50,GR5.....125
BOLT,CARRIAGE,1/2-13X1.75, G5.....83-84, 115
BOLT,CARRIAGE,1/2X2.00,G5.....115
BOLT,CARRIAGE,1/4-20 X .5,G2.....123
BOLT,CARRIAGE,1/4-20 X .75,G2.....87, 95, 97, 103, 105, 123, 135, 141-142, 161, 193, 205, 207
BOLT,CARRIAGE,1/4-20 X 1.00,G2....93, 101, 103, 119
BOLT,CARRIAGE,1/4-20 X 2.5,G2....135, 137-138
BOLT,CARRIAGE,1/4-20 X 3.50,G2....87, 141-142, 207
BOLT,CARRIAGE,1/4-20x1.25,G2.....81, 101, 103, 119, 135, 137-138, 141-142
BOLT,CARRIAGE,1/4-20X2.5,ZAG.....87
BOLT,CARRIAGE,3/8-16 X1.00,G5.....91
BOLT,CARRIAGE,3/8-16X1.25,GR5.....79, 83-84, 89, 115, 125, 135, 137-138, 141-142, 199
BOLT,CARRIAGE,5/16-18 X 2.0,G2.....197
BOLT,SHS,3/8X.375X5/16-18,ZAG....147-148, 152-153, 155-156
BOOT, JOYSTICK-.....165
BOOT,THUMB ROCKER***.....165
BOX,INSTRUCTION STORAGE.....148, 153, 156
BRACKET, UTS, LARGE.....87
BRACKET,LIMIT SWITCH MTG***.....89
BRACKET,MOUNTING,HR METER.....105
BRACKET,TRAY LATCH.....93
BRAKE, HYDRAULIC***.....167
BREATHER CAP,HYD. TANK,1/4 NPT.....101, 103
BRUSH,PWR UNIT (40844)**.....177
BUCKLE & SLIDE STRAP SET.....203
BUCKLE,SIDE RELEASE.....203
BULB,FLASHING BEACON.....193
BUMPER,BATTERY BOX & RAILS.....153, 156
BUSHING,FLNGD,63 X .77 X .38.....89, 91
- BUTTON, .800 O.D. X .281.....147-148, 152-153, 155-156
BUTTON,PUSH,RED MUSHROOM HEAD.....105, 163
- C**
CABLE ASSY, BATT,19"AND.BLK.....108
CABLE ASSY, BATT,69" RED.....112
CABLE ASSY, INVERTER.....107-108, 111-112
CABLE ASSY,BATT, 12" RED.....112
CABLE ASSY,BATT, 20" BLK.....112
CABLE ASSY,BATT, 7.50" BLACK.....108, 112
CABLE ASSY,BATT, 7.50" RED.....107-108, 112
CABLE ASSY,BATT,23"RED.....112
CABLE ASSY,BATT,5.50"RED.....107-108, 112
CABLE ASSY,BATT,7.50",AND. RED.....108
CABLE ASSY,BATT,83"RED.....112
CABLE ASSY,BATT,9.50"RED.....108, 112
CABLE ASSY., BATT. 12" BLACK.....112
CABLE ASSY., BATT. 14" RED.....112
CABLE ASSY., BATT. 75" RED.....112
CABLE ASSY., BATT. 79" BLACK.....112
CABLE ASSY., BATT. 88.5" RED.....112
CABLE ASSY., BATT. 93" BLACK.....112
CABLE ASSY.BATT.75",AND.RED.....107-108
CABLE ASSY.BATT.75".AND.BLK.....107-108, 112
CABLE ASSY.BATT.90".AND.BLK.....108, 112
CABLE ASSY.BATT.90".AND.RED.....107-108
CABLE BRACKET,PAINTED.....179, 205, 207
CABLE TIE MOUNT, WINGED.....107-108, 111-112
CABLE TIE, 11.5" BLACK...152-153, 159, 179, 195, 197
CABLE,EMERGENCY DOWN.....87
CAM FOLLOWER,1.125X.375,DELTRIN.....89, 91
CAP, TUBE, SQ,1.25 X .083.....147-148, 152-153, 156
CAP,DIAGNOSTIC NIPPLE.....169, 173
CAPACITOR,4700MFD 25V.....107-108, 111-112
CE CONTROL HARNESS, SLAB.....107-108, 111-112
CE POINTER REPL KIT, GS32/46.....207
CHAIN GATE ASSY, COM GS32.....152-153
CHAIN GATE KIT,GS30.....159
CHAIN,3/16,OPEN LINK 22.5".....152-153, 159
CHANNEL,PIPE RACK.....203
CHARGER,BAT,24VDC,H/LO GEN2.....99
CHASSIS MOUNT ASSY, GS30.....125
CHASSIS MOUNT ASSY, GS32&46.....125
CHECK DISK, NO SPRING.....169, 173
CIRCUIT BREAKER,7.0 AMP***.....105
CLAMP, HOSE, 1 EAR, 11/16.....179
CLAMP,1.31,#21 X 1/4,RUB CUSH.....197
CLAMP,2 HOSE,PLASTIC,5/8.....79, 81, 87, 135, 137-138, 141-142
CLAMP,CABLE & HOSE.....95, 97, 119
CLAMP,HOSE,1 EAR,1-1/16***.....101, 103
CLAMP,RUB CUSH,0.75,#12 X 3/8*.....195
CLEAR SWITCH ACTUATOR.....117, 163
CLEAR SWITCH ACTUATOR(QTY 10).....163

CLIP, CABLEBRIDGE.....135, 137-138, 141-142	DECAL KIT,1530 PLAT,WRD,AUST.....11-12, 23-24, 27-28	DECAL KIT,2632,COMP,WORD,ANSI.....35-36
CLIP, CABLEBRIDGE, MINI.....133	DECAL KIT,1532 COMP,SYM,CE.....21, 31, 33	DECAL KIT,2632,COMP,WORD,AUS.....35-36, 47-48, 51-52
CLIP,CABLEBRIDGE, GS32/46.....135, 137-138, 141-142	DECAL KIT,1532 COMP,WRD,AUS.....11-12	DECAL KIT,2632,PLAT,SYM,ANSI.....39
CLIP,HAIR PIN .125 X 2.....79, 81	DECAL KIT,1532 COMP,WRD,AUST.....23-24, 27-28	DECAL KIT,2632,PLAT,WORD,ANSI.....35-36
CLIP,TIE HARNESS MOUNT***.....107-108, 111-112	DECAL KIT,1532 PLAT,SYM,CE.....21, 31, 33	DECAL KIT,2632,PLAT,WORD,AUS.....35-36, 47-48, 51-52
COIL CORD,WORKLIGHT(144011).....197	DECAL KIT,1532 PLAT,WRD,AUS.....11-12	DECAL KIT,2646 COMP,SYM,ANSI.....63, 69
COIL,#8 20VDC,DEUTSCH W/DIOD.....169, 173	DECAL KIT,1532 PLAT,WRD,AUST.....23-24, 27-28	DECAL KIT,2646 COMP,SYM,CE.....63, 77
COIL,20VDC DEUTCSH W/DIODE...169, 173, 189	DECAL KIT,1930 COMP,SYM,ANSI.....15, 21	DECAL KIT,2646 COMP,WORD,ANSI.....59-60, 65-66
COIL-SOLENOID VALVE,20V DC***.....179	DECAL KIT,1930 COMP,SYM,CE.....21, 31, 33	DECAL KIT,2646 COMP,WORD,AUS.....71, 73
CONN,070120-8-6.....184	DECAL KIT,1930 COMP,WRD,ANSI.....11-12	DECAL KIT,2646 COMP,WORD,AUST.....59-60
CONN,RECEP 12 WAY BLK,1 BUSS.....107-108, 111-112	DECAL KIT,1930 COMP,WRD,AUST.....23-24, 27-28	DECAL KIT,2646 PLAT,SYM,ANSI.....63, 69
CONN,SQUEEZE,1/2NPT .38-.50,SM.....161	DECAL KIT,1930 COMP,WRD,ANSI.....17-18	DECAL KIT,2646 PLAT,SYM,CE.....63, 77
CONN,SWIVEL,STR,THR,465OX-S.....184	DECAL KIT,1930 COMP,WORD,AUSTR.....11-12	DECAL KIT,2646 PLAT,WORD,ANSI.....59-60, 65-66
CONNECTOR, 070120-12-8.....181, 183-184	DECAL KIT,1930 PLAT,SYM,ANSI.....15, 21	DECAL KIT,2646 PLAT,WORD,AUST.....59-60
CONNECTOR, 070120-8-8.....183-184	DECAL KIT,1930 PLAT,SYM,CE.....21, 31, 33	DECAL KIT,3232 COMP,SYM,ANSI.....45
CONNECTOR, IEC CHARGER CORD.....99	DECAL KIT,1930 PLAT,WRD,ANSI.....17-18	DECAL KIT,3232 COMP,SYM,CE.....57
CONNECTOR,070120-4-4.....175, 181, 183-184, 191	DECAL KIT,1930 PLAT,WRD,AUST.....23-24, 27-28	DECAL KIT,3232 COMP,WRD,ANSI.....41-42
CONNECTOR,070120-4-6.....181, 184	DECAL KIT,1930 PLAT,WORD,AUSTR.....11-12	DECAL KIT,3232 PLAT,SYM,ANSI.....45
CONNECTOR,070120-6-6.....179, 181, 183-184, 191	DECAL KIT,1932 COMP,SYM,CE.....21, 31, 33	DECAL KIT,3232 PLAT,SYM,CE.....57
CONNECTOR,070120-8-6.....181	DECAL KIT,1932 COMP,WRD,AUS.....11-12	DECAL KIT,3232 PLAT,WRD,ANSI.....41-42
CONTACT, N.C.....105, 163	DECAL KIT,1932 COMP,WRD,AUST.....23-24, 27-28	DECAL KIT,3232,COMP,WORD,AUS.....47-48, 73
CONTACT,14-20GA.....101, 103	DECAL KIT,1932 PLAT,SYM,CE.....21, 31, 33	DECAL KIT,3232,PLAT,WORD,AUS.....47-48, 51-52
CONTACTOR,DRIVE,24V,180A***.....97	DECAL KIT,1932 PLAT,WRD,AUS.....11-12	DECAL KIT,3246 COMP,SYM,ANSI.....63, 69
CONTACTOR,LIMIT SWITCH.....87, 89, 91, 205, 207	DECAL KIT,1932 PLAT,WRD,AUST.....23-24, 27-28	DECAL KIT,3246 COMP,SYM,CE.....63, 77
COUNTERWEIGHT, BELLY.....83-84	DECAL KIT,2032 COMP,SYM,ANSI.....45	DECAL KIT,3246 COMP,WORD,ANSI.....59-60, 65-66
COUNTERWEIGHT,CAST,CE,1930/32.....83-84	DECAL KIT,2032 COMP,SYM,CE.....57	DECAL KIT,3246 COMP,WORD,AUS.....71, 73
COUNTERWEIGHT,GS32,REAR.....83-84	DECAL KIT,2032 COMP,WRD,ANSI.....41-42	DECAL KIT,3246 COMP,WORD,AUST.....59-60
COUNTERWEIGHT,SVC,GSXX32.....83-84	DECAL KIT,2032 PLAT,SYM,ANSI.....45	DECAL KIT,3246 PLAT,SYM,ANSI.....63, 69
COUPLER,1/4"SERIES,3/8 P-LOK.....195	DECAL KIT,2032 PLAT,SYM,CE.....57	DECAL KIT,3246 PLAT,SYM,CE.....63, 77
COVER BOTTOM GEN 5.....163	DECAL KIT,2032 PLAT,WRD,ANSI.....41-42	DECAL KIT,3246 PLAT,WORD,ANSI.....59-60, 65-66
COVER,BLANK.....161	DECAL KIT,2032,COMP,SYM,CE.....55	DECAL KIT,3246 PLAT,WORD,AUST.....59-60
COVER,GFCI,HORIZONTAL,WEATHER....161	DECAL KIT,2032,COMP,WORD,ANSI.....35-36	DECAL PLATE ASSY W/SYM DECALS.....147-148, 153
COVER-BRUSH INSPFC.40844,SCISS.....177	DECAL KIT,2032,COMP,WORD,AUS.....35-36, 47-48, 51-52	DECAL PLATE ASSY W/WORD DECALS.....147-148, 153
CWT, REAR, XX46.....83-84	DECAL KIT,2032,PLAT,SYM,ANSI.....39	DECAL SYMBOL TIP OVER TRAYS.....21, 33, 45, 57, 69, 77
CYLINDER, 20XX LIFT.....179	DECAL KIT,2032,PLAT,SYM,CE.....55	DECAL, GROUND CONTROL PANEL.....12, 15, 17-18, 21, 23-24, 27-28, 31, 33, 35-36, 39, 41-42, 45, 47-48, 51-52, 55, 57, 60, 63, 65-66, 69, 71, 73, 75, 77
CYLINDER, 26XX/32XX LIFT.....179	DECAL KIT,2032,PLAT,WORD,ANSI.....35-36	DECAL, LABEL - DIRECTION ARROWS....11-12, 15, 17-18, 21, 23-24, 27-28, 31, 33, 35-36, 39, 41-42, 45, 47-48, 51-52, 55, 57, 59-60, 63, 65-66, 69, 71, 73, 75, 77
CYLINDER, 32XX UPPER LIFT.....179	DECAL KIT,2032,PLAT,WORD,AUS.....35-36, 47-48, 51-52	DECAL, LABEL, LED READOUT.....11-12, 17-18, 23-24, 27-28, 35-36, 41-42, 47-48, 51-52, 59-60, 65-66, 71, 73
CYLINDER, MINI LIFT.....179	DECAL KIT,2046 COMP,SYM,ANSI.....63, 69	DECAL, LABEL, SAFETY ARM SYMB.....15, 21, 31, 33, 39, 45, 55, 57, 63, 69, 75, 77
CYLINDER,FRONT OUTRIGGER.....187	DECAL KIT,2046 COMP,SYM,CE.....63, 77	DECAL, LABEL,AUX LOWERING...11-12, 35-36, 59-60
CYLINDER,GS/GR STEER***.....167	DECAL KIT,2046 COMP,WORD,ANSI.....65-66	DECAL, POWER TO PLATFORM 230V**...11-12, 15, 17-18, 21, 23-24, 27-28, 31, 33, 35-36, 39, 41-42, 45, 47-48, 51-52, 55, 57, 59-60, 63, 65-66, 69, 71, 73, 75, 77
CYLINDER,REAR OUTRIGGER.....187	DECAL KIT,2046 COMP,WORD,AUS.....71	DECAL, SYMBOL - READ THE MANUAL...15, 21, 31, 33, 39, 45, 55, 57, 63, 69, 75, 77
	DECAL KIT,2046 COMP,WORD,AUST.....59-60	
	DECAL KIT,2046 COMP,WRD,ANSI.....59-60	
	DECAL KIT,2046 PLAT,SYM,ANSI.....63, 69	
	DECAL KIT,2046 PLAT,SYM,CE.....63, 77	
	DECAL KIT,2046 PLAT,WORD,ANSI.....65-66	
	DECAL KIT,2046 PLAT,WORD,AUST.....59-60	
	DECAL KIT,2046 PLAT,WRD,ANSI.....59-60	
	DECAL KIT,2632 COMP,SYM,ANSI.....45	
	DECAL KIT,2632 COMP,SYM,CE.....57	
	DECAL KIT,2632 COMP,WRD,ANSI.....41-42	
	DECAL KIT,2632 PLAT,SYM,ANSI.....45	
	DECAL KIT,2632 PLAT,SYM,CE.....57	
	DECAL KIT,2632 PLAT,WRD,ANSI.....41-42	
	DECAL KIT,2632,COMP,SYM,ANSI.....39	
	DECAL KIT,2632,COMP,SYM,CE.....55	

D

DANGER/INSTR-OUTRGR OP-GS3232....42, 47-48, 52

DECAL DANGER TIP OVER TRAYS.....11-12, 17-18, 23-24, 27-28, 35-36, 41-42, 47-48, 51-52, 59-60, 65-66, 71, 73

DECAL KIT, 1930 PLAT,WRD,ANSI.....11-12

DECAL KIT,1530 COMP,SYM,ANSI.....15, 21

DECAL KIT,1530 COMP,SYM,CE.....21, 31, 33

DECAL KIT,1530 COMP,WRD,ANSI.....11-12, 17-18

DECAL KIT,1530 COMP,WRD,AUST.....11-12, 23-24, 27-28

DECAL KIT,1530 PLAT,SYM,ANSI.....15, 21

DECAL KIT,1530 PLAT,SYM,CE.....21, 31, 33

DECAL KIT,1530 PLAT,WRD,ANSI.....11-12, 17-18

Part Description Index (continued)

DECAL,CHEVRON RANDO HD.....11-12, 17-18, 23-24, 27-28, 35-36, 41-42, 47-48, 51-52, 59-60, 65-66, 71, 73	DECAL,EMERGENCY STOP,GR....11-12, 15, 17-18, 21, 23-24, 27-28, 31, 33, 35-36, 39, 41-42, 45, 47-48, 51-52, 55, 57, 59-60, 63, 65-66, 69, 71, 73, 75, 77	DECAL,LABEL,CAP IND CE GS3246...73, 75, 77
DECAL,COSMETIC,GENIE GS-1530**.....11-12, 15, 17-18, 21, 23-24, 27-28, 31, 33	DECAL,INSTR,INDOOR,AUS-26/3232.....35-36, 47-48, 51-52	DECAL,LABEL,CAP IND CE19XX....28, 31, 33
DECAL,COSMETIC,GENIE GS-1532...12, 23-24, 27-28, 31, 33	DECAL,INSTR-INDOOR USE,AUS.....12, 24, 28	DECAL,LABEL,CAP IND CE2632...51-52, 55, 57
DECAL,COSMETIC,GENIE GS-1930**.....11-12, 15, 17-18, 21, 23-24, 27-28, 31, 33	DECAL,INSTR-MANUAL FRC,AUS.....12, 23-24, 27-28	DECAL,LABEL,CAP IND CE3232.....52, 57
DECAL,COSMETIC,GENIE GS-1932...11-12, 23-24, 27-28, 31, 33	DECAL,INSTR-MANUALFRC,AUS 2032.....36, 47-48, 51-52	DECAL,LABEL,FAULT CODES.....11-12, 17-18, 23-24, 27-28, 35-36, 41-42, 47-48, 51-52, 59-60, 65-66, 71, 73
DECAL,COSMETIC,GENIE GS-2032...35-36, 39, 41-42, 45, 47-48, 51-52, 55, 57	DECAL,INSTR-MANUALFRC,AUS 3246.....60, 71, 73	DECAL,LABEL,LED READOUT.....15, 21, 31, 33, 39, 45, 55, 57, 63, 69, 75, 77
DECAL,COSMETIC,GENIE GS-2046**.....59-60, 63, 65-66, 69, 71, 73, 75, 77	DECAL,INSTR-MANUALFRC,AUS 400N....60, 71, 73	DECAL,LABEL,LIFTING EYE....17-18, 21, 23-24, 27-28, 33, 41-42, 45, 47-48, 51-52, 57, 65-66, 69, 71, 73, 77
DECAL,COSMETIC,GENIE GS-2632**.....35-36, 39, 41-42, 45, 47-48, 51-52, 55, 57	DECAL,INSTR-MAX CAP 1200LBS....60, 65-66, 71	DECAL,LABEL,MANUAL NOT HERE...11-12, 17-18, 23-24, 27-28, 35-36, 41-42, 47-48, 51-52, 59-60, 65-66, 71, 73
DECAL,COSMETIC,GENIE GS-2646...59-60, 63, 65-66, 69, 71, 73, 75, 77	DECAL,INSTR-MAX CAP 500 LBS.....12, 17-18, 23-24, 35-36, 41-42, 47-48	DECAL,LABEL,PATENTS.....59-60, 65-66
DECAL,COSMETIC,GENIE GS-3246...59-60, 63, 65-66, 69, 71, 73, 75, 77	DECAL,INSTR-MAX CAP 600LBS.....12, 17-18, 23-24	DECAL,LABEL,PETRO CANADA***.....11-12, 17-18, 23-24, 27-28, 35-36, 41-42, 47-48, 51-52, 59-60, 65-66, 71, 73
DECAL,COSMETIC-GENIE GS-3232...41-42, 45, 47-48, 51-52, 57	DECAL,INSTR-MAX CAP 700LBS.....60, 65-66, 71	DECAL,LABEL,PLAT CONT LOCATION.....11-12, 17-18, 23-24, 27-28, 35-36, 41-42, 47-48, 51-52, 59-60, 65-66, 71, 73
DECAL,DANGER DO NOT ALTER SWTC.....11-12, 17-18, 23-24, 27-28, 35-36, 41-42, 47-48, 51-52, 59-60, 65-66, 71, 73	DECAL,INSTR-MAX CAP 800 LBS.....35-36, 47-48	DECAL,LABEL,PWR TO CHARGR 115V....11-12, 15, 17-18, 21, 23-24, 27-28, 31, 33, 35-36, 39, 41-42, 45, 47-48, 51-52, 55, 57, 59-60, 63, 65-66, 69, 71, 73, 75, 77
DECAL,DANGER,BATTERY SAFETY.....11-12, 35-36, 59-60	DECAL,INSTR-SIDE FRC,ANSI.....12, 17-18, 35-36, 41-42	DECAL,LABEL,PWR TO CHARGR 230V....11-12, 15, 17-18, 21, 23-24, 27-28, 31, 33, 35-36, 39, 41-42, 45, 47-48, 51-52, 55, 57, 59-60, 63, 65-66, 69, 71, 73, 75, 77
DECAL,DANGER,BATTERY SAFETY***.....17-18, 23-24, 27-28, 41-42, 47-48, 51-52, 65-66, 71, 73	DECAL,INSTR-SIDE FRC,ANSI 2032...35-36, 41-42	DECAL,LABEL,QUINTOLUBRIK.....11-12, 17-18, 23-24, 27-28, 35-36, 41-42, 47-48, 51-52, 59-60, 65-66, 71, 73
DECAL,DANGER,BRAKE REL SAFETY*...12, 17-18, 24, 28, 36, 41-42, 47-48, 51-52, 60, 66, 71, 73	DECAL,INSTR-SIDE FRC,ANSI 2046...60, 65-66	DECAL,LABEL,SAFETY ARM...11-12, 17-18, 23-24, 27-28, 35-36, 41-42, 47-48, 51-52, 59-60, 65-66, 71, 73
DECAL,DANGER,CRUSHING HAZARD.....11-12, 17-18, 23-24, 27-28, 35-36, 41-42, 47-48, 51-52, 59-60, 65-66, 71, 73	DECAL,INSTR-SIDE FRC,ANSI 3246....60, 66	DECAL,LABEL,STATOIL HYDRA WAY.....11-12, 17-18, 23-24, 27-28, 35-36, 41-42, 47-48, 51-52, 59-60, 65-66, 71, 73
DECAL,DANGER,ELEC HAZARD,GS.....11-12, 17-18, 24, 28, 35-36, 42, 47-48, 52, 59-60, 66, 71, 73	DECAL,INSTRUCT,BATTERY CONNECT.....12, 17-18, 24, 27-28, 35-36, 41-42, 47-48, 51-52, 60, 65-66, 71, 73	DECAL,LABEL,TIRE SPECS....11-12, 17-18, 23-24, 27-28
D E C A L , D A N G E R , E L E C T HAZARD,PLUG.....11-12, 17-18, 23-24, 27-28, 35-36, 41-42, 47-48, 51-52, 59-60, 65-66, 71, 73	DECAL,INSTRUCT,MAXCAP1000LBS.....60, 65-66, 71	DECAL,LABEL,TRANSPORT TIEDOWN*..11-12, 15, 17-18, 21, 23-24, 27-28, 31, 33, 35-36, 39, 41-42, 45, 47-48, 51-52, 55, 57, 59-60, 63, 65-66, 69, 71, 73, 75, 77
DECAL,DANGER,GENERAL SAFETY.....12, 36, 60	DECAL,INSTRUCT,TRAVEL HEIGHT.....42, 48, 52	DECAL,LABEL,UCON HYDROLUBE....11-12, 17-18, 23-24, 27-28, 35-36, 41-42, 47-48, 51-52, 59-60, 65-66, 71, 73
DECAL,DANGER,IMPROPER USE HAZ....11-12, 17-18, 23-24, 27-28, 35-36, 41-42, 47-48, 51-52, 59-60, 65-66, 71, 73	DECAL,INSTRUCT-ANNUAL INSP REQ....11-12, 17-18, 23-24, 27-28, 35-36, 41-42, 47-48, 51-52, 60, 65-66, 71, 73	DECAL,LABEL,WHEEL LOAD 1530.....11-12, 15, 17-18, 21
DECAL,DANGER,NO SMOKING ***.....11-12, 35-36, 59-60	DECAL,INSTRUCT-OP,GEN5,GS-32....36, 42, 48	DECAL,LABEL,WHEEL LOAD 1930.....11-12, 15, 17-18, 21
DECAL,DANGER,TIP-OVER,BATTERY.....11-12, 35-36, 59-60	DECAL,INSTRUCT-OP,GEN5,GS-30....12	DECAL,LABEL,WHEEL LOAD 19XX....12, 24, 27-28, 31, 33
DECAL,DANGER,TIP-OVER,TILT.....11-12, 17-18, 23-24, 27-28, 35-36, 41-42, 47-48, 51-52, 59-60, 65-66, 71, 73	DECAL,INSTRUCT-OP,GEN5,GS-46....60, 66, 71	DECAL,LABEL,WHEEL LOAD 2032....35-36, 39, 41-42, 45, 47-48, 51-52, 55, 57
DECAL,DANGER,TIPOVER,TILT SYM.....23-24	DECAL,INSTRUCTIONS-CHARGER OP....11-12, 17-18, 23-24, 27-28, 35-36, 41-42, 47-48, 51-52, 59-60, 65-66, 71, 73	DECAL,LABEL,WHEEL LOAD 2046....60, 63, 65-66, 69, 71, 73, 75, 77
DECAL,DANGER-GEN SAFETY.....17-18, 24, 28, 42, 48, 52, 66, 71, 73	DECAL,INSTRUCTIONS-OPER,GCP...11-12, 17-18, 23-24, 27-28, 35-36, 41-42, 47-48, 51-52, 59-60, 65-66, 71, 73	DECAL,LABEL,WHEEL LOAD 2632....35-36, 39, 41-42, 45, 47-48, 51-52, 55, 57
DECAL,DANGER-TIP-OVER,BATT.....17-18, 24, 28, 42, 47-48, 52, 66, 71, 73	DECAL,LABEL,AIR LINE 110 PSI.....11-12, 15, 17-18, 21, 23-24, 27-28, 31, 33, 35-36, 39, 41-42, 45, 47-48, 51-52, 55, 57, 59-60, 63, 65-66, 69, 71, 73, 75, 77	DECAL,LABEL,WHEEL LOAD 2646....60, 63, 65-66, 69, 71, 73, 75, 77
DECAL,DANGER-USE SAFETY ARM.....12, 17-18, 23-24, 27-28, 35-36, 41-42, 47-48, 51-52, 60, 65-66, 71, 73	DECAL,LABEL,AUX LOWERING....15, 21, 31, 33, 39, 45, 55, 57, 63, 69, 75, 77	DECAL,LABEL,WHEEL LOAD 3246....60, 63, 65-66, 69, 71, 73, 75, 77
DECAL,EMERGENCY LOWERING.....18, 24, 28, 42, 48, 52, 66, 71, 73	DECAL,LABEL,CAP IND CE GS15XX.....28, 31, 33	DECAL,LABEL-TIRE SPECS....35-36, 41-42, 47-48, 51-52, 59-60, 65-66, 71, 73
	DECAL,LABEL,CAP IND CE GS2032...51-52, 55, 57	
	DECAL,LABEL,CAP IND CE GS2046...73, 75, 77	
	DECAL,LABEL,CAP IND CE GS2646...73, 75, 77	

Part Description Index (continued)

GROUND WIRE ASSY,GS.....112
GS30 RIDGID MAIN SIDE SQ RAIL...147-148

H

HANDLE, LATCH, TRAY.....93
HANDLE,ANDERSON CONNECTOR SB...177
HARNESS ASSEMBLY, INVERTER.....107-108, 111-112
HARNESS ASSY, MAIN.....107-108, 111-112
HARNESS, BEACON RESISTOR KIT,.....111-112
HARNESS, GS POWER CONTRL.....111-112
HARNESS, GS SENSORS, ANSI.....111-112
HARNESS, GS SENSORS, CE.....111-112
HARNESS, PRESS. SWITCH.....205, 207
HARNESS,ALARM ACCESSORY.....107-108, 111-112
HARNESS,BEACON OPTION,SLAB.....107-108, 111-112
HARNESS,PRESS,TRANSDUCER***.....187
HINGE, ACCESS DOOR GS68.....105
HINGE, SPRING, LONG LEG...152-153, 156, 159
HINGE,ACCESS DOOR(13G).....105
HINGE,ACCESS DOOR***.....105
HORN HARNESS.....107-108, 111-112
HORN,24VDC,SPADE TERMINALS***.....193
HOSE ASSY, DRIVE MOTORS, GS32.....183-184
HOSE ASSY, DRIVE MOTORS, GS46.....183-184
HOSE ASSY, MAN/ACCUM, MINI.....181
HOSE ASSY,DRIVE MOTORS,GS32.....183-184
HOSE ASSY,DRIVE MOTORS,GS46.....183-184
HOSE ASSY,LOWER LIFT.....184
HOSE ASSY,LT FRONTO/R,GS3232.....191
HOSE ASSY,LT REAR O/R, GS3232.....191
HOSE ASSY,MANIFOLD, GS3232.....191
HOSE ASSY,O/R MAN-T, GS3232.....191
HOSE ASSY,PUMP-O/R MAN, GS3232.....191
HOSE ASSY,RT FRONT O/R,GS3232.....191
HOSE ASSY,RT REAR O/R, GS3232.....191
HOSE CLAMP, SAE #6.....184
HOSE END 90,JIC 33982-6-6.....184
HOSE END, MALE JIC, 30382-6-6B.....184
HOSE END,BARBED,SWIVEL,JIC,6-6.....184
HOSE, ASSY.....181, 184
HOSE, ASSY, BRAKE.....181, 184
HOSE, ASSY, BRAKE MAN, GS46.....184
HOSE, ASSY, LIFT.....184
HOSE, ASSY, LOWER LIFT.....181
HOSE, ASSY, LOWER VENT.....181
HOSE, ASSY, MAN TO FILTER.....181, 183-184
HOSE, ASSY, MOTOR CROSSOVER.....181
HOSE, ASSY, PRESSURE.....181, 183-184
HOSE, ASSY, STEER.....181, 183-184
HOSE, ASSY, UPPER LIFT.....181
HOSE, ASSY, UPPER VENT.....181
HOSE,AIR 3/8.....184
HOSE,ASSY STEER,GS32/46.....183-184
HOSE,ASSY, BRAKE MAN,GS46.....184
HOSE,ASSY,BRAKE MAN,GS32.....184
HOSE,ASSY,BRAKE,GS46.....184
HOSE,ASSY,DRIVE MOTORS,MINI.....181
HOSE,ASSY,DRIVE MOTORS,MINI, L.....181
HOSE,ASSY,UPPER LIFT.....184

HOSE,LOW PRESSURE,,375 ID,BLK.....195
HOUR METER,10-80 VOLTS***.....105
HOUSING, LOCK PIN.....147-148, 152-153, 155-156
HRNS ASSY,RESISTOR DIODE.....111-112
HRNS ASSY,RESISTOR,200 OHM.....111-112
HRNS,CONTACTOR SIGNAL,GS46.....112
HRNS,CONTACTOR SIGNL,GS30/32.....112
HRNS,LIFT CYL DOWN,20/26XX,CE.....108, 111-112
HRNS,LIFT CYL DOWN,32XX,CE.....108, 112
HRNS,LIFT CYL DOWN,MINI,CE.....108, 111-112
HYD. TANK KIT, GS30,32,46.....101, 103
HYDR TRAY ASSY W SYMBOLS 30MIN.....101
HYDR TRAY ASSY W/WORDS,2003MIN.....101
Hydraulic Brake.....83-84

I

INDUCTOR,47 MH,2.5AMP,.034OHM.....107-108, 111-112
INNER ARM ASSY #1, GS32&46, SY.....135, 137-138, 141-142
INNER ARM ASSY #1, GS32&46, WO.....135, 137-138, 141-142
INNER ARM ASSY #3, 2632/2646.....137-138
INNER ARM ASSY #4, 2646.....137-138
INNER ARM ASSY #4, 3246.....141-142
INNER ARM ASSY #5, 3232.....141-142
INNER ARM ASSY #5, 3246.....141-142
INNER ARM ASSY#1,15&19FT,SYMB.....129, 133
INNER ARM ASSY#1,15&19FT,WORD....129, 133
INNER ARM ASSY, #2, GS32&46.....135, 137-138, 141-142
INNER ARM ASSY, #3, 19FT.....131, 133
INNER ARM ASSY, #3, 2046.....135
INNER ARM ASSY,#1,15&19FT SYMB.....127, 129, 131, 133
INNER ARM ASSY,#1,15&19FT WORD....127, 129, 131, 133
INNER ARM ASSY,#2,15/19 FT,WRD.....127, 129, 131, 133
INNER ARM ASSY,#3 GS2032.....135
INNER ARM ASSY,#3,15FT.....127, 129
INNER ARM ASSY,#4 19FT.....131, 133
INNER ARM ASSY,#4 GS2632.....137-138
INVERT.OPTION,GENIE GS30/1532.....199
INVERTER,24VDC,110/230 VAC***.....199, 201

J

JOYSTIC HANDLE/SWITCH KIT.....165
JOYSTICK HANDLE SET, COMPLETE.....165
JOYSTICK,SINGL AXIS,HALL,SLAB*.....165
JOYSTICK,SINGL AXIS,POT,SLAB.....165

K

KEEPER, 1/4 TURN FASTENER.....105
KEY SINGLE***.....105
KEY,RECTANGULAR,.31X.28X1.25**.....79, 81, 83-84
KEYS,10 PACK***.....105
KEYSWITCH,3 POS. W/KEYS***.....105
KIT, INVERTER JUMPER, GS.....101
KIT, MALE RECEPTACLE, DTM.....108, 112
KIT, MINI LIFT CYL SEAL.....179
KIT, PLATFORM PC RECEPT/SOC.....165

KIT,BATT. CABLE ASSY.,GS30/32.....112
KIT,BATT. CABLE ASSY.,GS46.....112
KIT,BATTERY CHARGER,24V.....99
KIT,BEACON,GENIE SCISSOR.....193
KIT,BEACON,GS32/46.....193
KIT,CONTACTOR,GS.....101, 103
KIT,DYN BRAKING VALVE,MINI.....169
KIT,DYN.BRAKING MANIF,MINI.....169
KIT,FEMALE PLUG, DTM.....107-108, 111-112
KIT,GASKET,UK POWER TO PLAT.....161
KIT,GATE LATCH.....153, 156, 159
KIT,GEN 5 COIL CORD.....163
KIT,GEN5 ECU AND MOUNTING***.....101, 103
KIT,GS30/32 MOTOR CONTROLLER.....101, 103
KIT,GS46 MOTOR CONTROLLER.....101, 103
KIT,HYD TANK MTG HARDWARE.....101, 103
KIT,JOYSTICK ENABLE SWITCH.....165
KIT,JOYSTICK REPAIR (78903H).....165
KIT,JOYSTICK STEER SWITCH.....165
KIT,MANIFOLD,200 PSI CV,MINI.....171
KIT,MINI FULL HT,ANSI GATE.....159
KIT,ORIFICE,.059".....179
KIT, PLATFORM CONTROL GUARD,GEN5,GS.....163
KIT,PRESS SWITCH RPLCMNT,MINI*.....205
KIT,PRESS SWTH RPLMNT,GS32/46*.....207
KIT,STEER CYL SEAL.....167
KIT,STEER CYL SEAL,040271P,HDM.....167
KIT,STEER CYL SEAL,040499P,HDM.....167
KIT,STEER CYL SEAL,040505P,HDM.....167
KIT,TWO ORIFICE,.059".....179
KNOB,HAND PUMP (RED)***.....175
KNOB,PILOT OP VALVE (BLACK)***.....175

L

LABEL,MAX CAP GS3246.....77
LABEL,MAXCAP,2046.....77
LABEL,MAXCAP,227KG,1930.....33
LABEL,MAXCAP,2632/3232.....57
LABEL,MAXCAP,2646.....77
LABEL,MAXCAP,272KG,GS1530.....33
LABEL,MAXCAP,GS2032.....57
LABEL,OUTRIGGER,LOAD,GS-3232...42, 45, 52, 57
LADDER ASSY,20XX,SYM.....83-84
LADDER ASSY,20XX,WORD,AUS,ENG.....83-84
LADDER ASSY,20XX,WORD,FR.....83-84
LADDER ASSY,26XX-32XX,SYM.....83-84
LADDER ASSY,26XX-32XX,WORD,ENG....83-84
LADDER ASSY,26XX-32XX,WORD,FR.....83-84
LADDER ASSY,GS30,WORD,ENG.....83-84
LADDER ASSY,WORD,20XX,ENG.....83-84
LADR ASSY,26XX-32XX,WORD,AUS,E.....83-84
LANYARD ROLLER BRKT ASSY W/DEC.....147-148, 153, 156
LANYARD,BLACK NYLON,TYPE 1***.....148, 152-153, 156
LATCH HANDLE.....153, 156, 159
LATCH, LRG PADDLE HANDLE GS90.....95, 97, 103
LATCH,BATT/HYDR TRAY***.....93
LATCH,COMPRESSION,SMALL.....105
LEFT EX. RAIL, GS46.....156

LENS,FLASHING BEACON.....193
 LEVEL SENSOR,LS60,RED,1.5 DIA.....87
 LEVEL,BUBBLE.....87
 LINE,HYD,PRESS SW.....181
 LINK BUMPER.....127, 129, 131, 133
 LINK BUMPER, 5".....135, 137-138, 141-142
 LINK BUMPER, SHORT TUBE.....135, 137-138, 141-142
 LINK,(SPLIT) OPEN-END.....152-153, 159
 LOAD DECAL BRK ASSY W/DECAL.....205
 LOAD DECAL BRK ASSY W/DECAL 1932...205
 LOCK, CONNECTOR.....99
 LOCKNUT,ELEC,1/2".....161

M

MAIN DECK ASSY, 2046 (SYMBOL).....156
 MAIN DECK ASSY, 2046 (WORD).....156
 MAIN DECK ASSY, 2046, CE.....156
 MAIN DECK ASSY, 2646 (SYMBOL).....156
 MAIN DECK ASSY, 2646 (WORD).....156
 MAIN DECK ASSY, 2646, CE.....156
 MAIN DECK ASSY, 3246 (SYMBOL).....156
 MAIN DECK ASSY, 3246 (WORD).....156
 MAIN DECK ASSY, 3246, CE.....156
 MAIN DECK ASSY, GS2032 AU WORD....152-153
 MAIN DECK ASSY, GS2032 CE SYMB....152-153
 MAIN DECK ASSY, GS2032 SYMBOL.....152-153
 MAIN DECK ASSY, GS2032 WORD...152-153
 MAIN DECK ASSY, GS2632 AU WORD....152-153
 MAIN DECK ASSY, GS2632 CE SYMB....152-153
 MAIN DECK ASSY, GS2632 SYMBOL.....152-153
 MAIN DECK ASSY, GS2632 WORD...152-153
 MAIN DECK ASSY,GS3232,AU WORD.....152-153
 MAIN DECK ASSY,GS3232,CE SYMB.....152-153
 MAIN DECK ASSY,GS3232,SYMBOL.....152-153
 MAIN DECK ASSY,GS3232,WORD....152-153
 MAIN FLDG RAIL ASSY, LWR, GS32.....153
 MAIN FLDG RAIL ASSY,UPR L,GS32.....153
 MAIN FLDG RAIL ASSY,UPR RT,32.....152-153
 MAIN RAIL RIGID, SQ GS32.....152-153
 MAIN RAIL, FOLDING, GS30.....147-148
 MANIFOLD DOOR ASSY, GS46.....105
 MANIFOLD,200 PSI CHECK VALVE.....171
 MANIFOLD,BRAKE RELEASE.....175
 MANIFOLD,FUNCTION***.....169
 MANIFOLD,FUNCTION,2 SPEED.....173
 MANIFOLD,OUTRIGGER OPTION.....189
 MANUAL BOX W/DECALS***.....148, 153, 156
 MANUAL,OWNERS,CHARGER,105739.....99
 MODULE TRAY ASSEMBLY W/SYMBOL DECALS.....103
 MODULE TRAY ASSEMBLY W/WORD DECALS.....103
 MOTOR CONTROLLER, DC,24V,360A.....101, 103
 MOTOR,ELECTRIC,24VDC 4.5HP.....177
 MOTOR,HYDRAULIC,530,14.0CU.IN*.....167

N

NIPPLE,DIAGNOSTIC,#4.....169, 173
 NOTICE,SIDE FRC ANSI2646.....60, 66
 NUT - PLASTIC,RING FOR ALARMS.....87, 163, 193
 NUT, LP NYLOCK, 3/8-16.....147-148, 152-153, 155-156, 159
 NUT,CASTLE,1.125-18 UNEF.....79, 81, 83-84
 NUT,COIL (39909).....179
 NUT,LOCKING-LG.FLANGE,1/4-20.....87, 93, 95, 97, 101, 103, 105, 119, 135, 137-138, 141-142
 NUT,LOCKING-LG.FLANGE,5/16-18.....93, 95, 97
 NUT,LP NYLOCK,1/4-20.....93, 95, 97, 101, 103, 105, 123, 205, 207
 NUT,LP NYLOCK,5/16-18.....147-148, 152-153, 155-156
 NUT,NYLOCK,1/2-13.....79, 81, 83-84, 115, 125
 NUT,NYLOCK,1/4-20.....79, 81, 87, 93, 95, 97, 103, 119, 123, 127, 131, 133, 135, 137-138, 141-142, 152-153, 156, 159, 161, 193, 207
 NUT,NYLOCK,10-24.....123
 NUT,NYLOCK,10-32.....87, 91, 193, 205, 207
 NUT,NYLOCK,3/8-16...79, 83-84, 89, 91, 115, 125, 127, 129, 131, 133, 135, 137-138, 141-142, 152-153, 156, 159, 199, 203
 NUT,NYLOCK,5/16-18.....197
 NUT,NYLOCK,8-32.....87, 161
 NUT,RETAINER (96008).....105
 NUT,WING 5/16-18.....197
 NUT-COIL SHORT.....169, 173, 189
 NUT-THIN HEAVY HEX, 1/4-20.....97

O

O-RING KIT (ORFS FITTINGS).....169, 173, 189
 O-RING-4.....183-184
 O-RING-6.....181
 O/R SYSTEM HARNESS, CE.....111-112
 ORIFICE,LONG, .037***.....179
 ORIFICE,LONG, .059".....179
 ORIFICE,SHORT, 0.037 INCH.....187
 OUTER ARM ASSY #1, GS46 WORD.....135, 137-138, 141-142
 OUTER ARM ASSY #1, GS46, SYMBO...135, 137-138, 141-142
 OUTER ARM ASSY#1,15&19FT WORD...127, 129, 131, 133
 OUTER ARM ASSY,#1 W/WORD DECAL.....141-142
 OUTER ARM ASSY,#1, GS32 SYMBOL...135, 137-138
 OUTER ARM ASSY,#1, GS32 WORD.....135, 137-138
 OUTER ARM ASSY,#1,15&19FT SYMB...127, 129, 131, 133
 OUTLET, 110V.....161
 OVERLAY,O/R PCON,GS3232.....41-42, 45, 47-48, 51-52, 57, 117

P

PCBA,GP03-06,PATRON1.....117
 PCBA,O/R PCON,GS3232.....117
 PCON,O/R CONTROLS,GS3232.....117
 PIN, CHASSIS PIVOT.....127, 129, 131, 133
 PIN, CYLINDER, SHORT....127, 129, 131, 133

PIN, LINKSET MOUNT, 1".....135, 137-138, 141-142
 PIN, LINKSET MOUNT, 3/4".....135, 137-138, 141-142
 PIN, LOCK.....147-148, 152-153, 155-156
 PIN, LONG, GS46.....135, 137-138, 141-142
 PIN, LOWER CYLINDER MOUNT....135, 137-138, 141-142
 PIN, MINI, CENTER..127, 129, 131, 133, 137-138
 PIN, POTHOLE LINK PIVOT.....91
 PIN, SHORT, GS46.....135, 137-138, 141-142
 PIN, UPPER CYLINDER MOUNT.....135, 141-142
 PIN, WIRE LOCK 3/8 X 2 -1/2...148, 152-153, 156
 PIN,1.50DIA X 9.13LG,1HOLE....127, 129, 131, 133
 PIN,CLEVIS,.375 X 1.75 LG.....89, 91
 PIN,CLEVIS,625 X 1.56,ZINC PL.....89
 PIN,CLEVIS,.625 X 1.88,ZINC PL.....89, 91
 PIN,CLEVIS,.75 X 2.....79, 81
 PIN,CLEVIS,0.75 X 3.25".....81
 PIN,COTTER,.125 X .75.....89, 91
 PIN,COTTER,.156 X 1.75.....81
 PIN,COTTER,.156 X 2.5.....79, 83-84
 PIN,LOWER CYL,ROD END.....137-138, 141-142
 PIN,MINI END***.....127, 129, 131, 133
 PIN,SADDLE CYLINDER MOUNT.....141-142
 PIN,STEER CYLINDER.....79
 PIPE CRDL,SQ RAILINGS,GS46.....203
 PLASTITE SCREW 4 X 6.....117
 PLAT ASSY FOLD CHAIN 1530ANSI.....145-148
 PLAT ASSY FOLD CHAIN 1530SMBL.....146-148
 PLAT ASSY FOLD CHAIN 1930ANSI.....145-148
 PLAT ASSY FOLD CHAIN 1930SMBL.....146-148
 PLAT ASSY FOLD SWING 1530ANSI.....145-148
 PLAT ASSY FOLD SWING 1530SMBL.....146-148
 PLAT ASSY FOLD SWING 1532 AUS.....145-148
 PLAT ASSY FOLD SWING 1532 CE.....146-148
 PLAT ASSY FOLD SWING 1930ANSI.....145-148
 PLAT ASSY FOLD SWING 1930SMBL.....146-148
 PLAT ASSY FOLD SWING 1932 AUS.....145-148
 PLAT ASSY FOLD SWING 1932 CE.....146-148
 PLAT ASSY RIGID CHAIN 1530ANSI.....145-148
 PLAT ASSY RIGID CHAIN 1530SMBL.....146-148
 PLAT ASSY RIGID CHAIN 1930ANSI.....145-148
 PLAT ASSY RIGID CHAIN 1930SMBL.....146-148
 PLAT ASSY RIGID SWING 1530ANSI.....145-148
 PLAT ASSY RIGID SWING 1530SMBL.....146-148

SCREW,HHC,3/8-16 X 2...147-148, 152-153, 155-156, 159	SPRING,COMPRESSION.485 X1.75**.....87, 147-148, 152-153, 155-156	V
SCREW,HHC,3/8-16 X 2.5.....127, 129, 131, 133, 148, 153, 159	SPRING,HAND PUMP ROD.....175	VALVE, DYN. BRAKING, GS30**.....169
SCREW,HHC,3/8-16 X 2.75.....127, 129, 131, 133, 138, 203	SPRING-BRUSH,40844, SCISSORS.....177	VALVE, DYN. BRAKING, GS32/46.....173
SCREW,HHC,3/8-16 X 3...135, 137-138, 141-142	STD CONTROL HARNESS, SLAB.....107-108, 111-112	VALVE,CARTRIDGE***.....179
SCREW,HHC,5/16-18 X 1.25.....95	STRAP,NYLON,1.0 IN. BLACK.....203	VALVE,CHECK,IWP-S/CWP PWR ASSI.....169
SCREW,HHC,5/16-18 X 2.....197	STROBE,BEACON, AC COMP 12-80V.....193	VALVE,CHECK,PILOT OPERATED.....187
SCREW,PHIL,10-24 X .75.....101	STROBE,BEACON,LED 12-80V.....193	VALVE,DIFF.AREA RELIEF,50PSI.....173
SCREW,PHIL,8-32X.50,SELF TAP.....161	STUD, 1/4 TURN, .35 LONG.....105	VALVE,HAND PUMP ASSEMBLY***.....175
SCREW,PHILLIPS,PHM,10-32 X .38.....97	SVC KIT,UK RECEPT.REPLACEMENT.....161	VALVE,PILOT OPERATED ASSEMBLY*.....175
SCREW,PHILLIPS,PHM,10-32 X .75.....103, 193	SWING GATE ASSY, 3246 CE SYMB.....156	VALVE,RELIEF,3500PSI***.....189
SCREW,PHILLIPS,PHM,10-32X 1.75.....91	SWING GATE ASSY, GS2032 CE.....153	VALVE,SOLENOID 2 POS, 2 WAY.....187
SCREW,PHILLIPS,PHM,6-32 X .75.....161	SWING GATE ASSY, GS2032 CESYMB.....153	VALVE,SOLENOID,3POS 4WAY.....169, 173
SCREW,PHILLIPS,PHM,8-32 X .5.....161	SWING GATE ASSY, GS2046,CE SYM.....156	VALVE,SOLENOID,3POS4WAY,GS68.....189
SCREW,PHILLIPS,PHM,8-32 X .875.....87	SWING GATE ASSY, GS2632 CE IND.....153	VALVE,W/20V NC SOLENOID,MANUAL.....179
SCREW,PHILLIPS,PHM,8-32 X.25**.....105	SWING GATE ASSY, GS2632 CE SYM.....153	VALVE-RELIEF, 3700 PSI #8**.....169, 173
SCREW,PHILLIPS,RHM,10-32 X 1.5.....205, 207	SWING GATE ASSY,GS46 WELD.....156	VALVE-RELIEF,2500PSI.....179
SCREW,PHM,1/4-20 X .75.....105	SWING GATE ASSY,1530 CE INDOOR.....159	VALVE-SOLENOID, 2POS 4 WAY.....169, 173
SCREW,RHM,10-32 X 1.5.....87	SWING GATE ASSY,1532 CE.....159	VALVE-SOLENOID,2POS 4WAY**.....173
SCREW,RHM,6-32 X .5.....161	SWING GATE ASSY,1930 CE INDOOR.....159	
SCREW,SHC,3/8-24 X 1.25**.....177	SWING GATE ASSY,1932 CE.....159	W
SCREW,SHEETMETAL#4X.38.....117	SWING GATE ASSY,GS2046,CE SYMB.....156	WASHER, SHIM,.765 X 1.312 X .093.....89, 91
SEAL KIT.....187	SWING GATE ASSY,GS2646 CE SYMB.....156	WASHER,FLAT, 1.27 X 2.13 X .13.....127, 129, 133, 137-138
SEAL KIT (105545).....179	SWING GATE ASSY,GS2646 CE SYM.....156	WASHER,FLAT,375 X 1.5 X .125.....81
SEAL KIT (105546).....179	SWING GATE ASSY,GS30/32**.....152-153, 159	WASHER,FLAT,.75 HARDENED.....93, 95, 97
SEAL KIT (84384).....169, 173	SWING GATE KIT,1530 CE INDOORS.....159	WASHER,FLAT,M4.....117
SEAL KIT (96579).....179	SWING GATE KIT,1532 CE.....159	WASHER,FLAT,MS,#10,Y.....91, 205, 207
SEAL KIT (96628).....179	SWING GATE KIT,1930 CE INDOORS.....159	WASHER,FLAT,MS,#8,Y.....87
SEAL KIT, VALVE.....169, 173, 179, 187, 189	SWING GATE KIT,1932 CE.....159	WASHER,FLAT,USS,1/4"Y.....93, 95, 97, 101, 103, 115, 119, 141-142, 152-153, 156, 159, 193, 201, 205
SEAL KIT,39909,PLAT LWR VALVE*.....179	SWING GATE KIT,GS30.....159	WASHER,FLAT,USS,3/8",Y.....79, 83-84, 91, 147-148, 152-153, 155-156, 203
SEAL KIT,BOSCH PUMP.....177	SWITCH,LIMIT,W/ROLLER ARM.....87	WASHER,FLAT,USS,5/16",Y.....89, 91, 97, 148, 153, 159, 197
SEAL KIT,BOSCH PUMP***.....177	SWITCH,LIMIT,W/ROLLER ARM***.....87, 89, 91, 205, 207	WASHER,LOCK,25.....93, 97, 101, 103, 115, 117, 135, 137-138, 141-142, 163, 179, 205
SEAL KIT,HAND PUMP***.....175		WASHER,LOCK,313.....197
SEAL KIT,LIFT PUMP,BARNES**.....177	T	WASHER,LOCK,375.....147-148, 152-153, 155-156, 177
SEAL KIT,O/R CYLINDER***.....187	T-BOX,2.75 X 4.5 X 2.0.....161	WASHER,LOCK,INTERNAL TOOTH,3/8.....105
SEAL KIT,PUMP,PARKER (228192).....177	TANK,HYD, SLAB SCISSORS.....101, 103	WASHER,SHIM,.625 X 1.188X.064.....89, 91
SEAL KIT,RC SERIES DR MOTOR***.....167	TAPE, NON-SKID, DIE CUT, 1.38X1.5.....147-148, 152-153, 155-156	WASHER,SHIM,1.54X2.00X.125,ZAG.....131, 135, 137-138, 141-142
SEAL KIT,STEER CYLINDER(96077).....167	TAPE, NON-SKID, DIE CUT, 4"X 16".....147-148, 152-153, 156	WASHER,STAR,EXTERNAL,#8.....161
SEAL KIT-FOR P.N.44167.....169, 173	TAPE, NON-SKID, DIE CUT, 4"X 32".....147-148, 152-153, 156	WASHER,STAR,EXTERNAL,.375.....91
SEAL KIT-LIFT CYL(96192).....179	TAPE, NON-SKID, DIE CUT, 4"X 40".....147-148, 152-153, 156	WASHER,THRUST, GS.....79, 81
SEAL KIT-P.N.44169,44172,44171.....169, 173, 189	TEE,RUN 070432-6*****.....184	WASHER,THRUST,.63 X 1.13 X .06.....89, 91
SENSOR,LEVEL, ANALOG.....123	TEE,UNION,070401-4.....191	WEAR PAD, PLATFORM POINTER.....207
SERVICE KIT,INVERTER 800W***.....201	THREADED ROD,(1/4-20),25.50.....93, 95, 97	WEAR PAD,PLATFORM.....147-148, 152-153, 156
SLEEVE,TANK SUPPORT.....101, 103	TIE ROD ASSEMBLY.....79	WEAR/GUIDE PAD MAIN PLATFORM.....147-148, 152-153, 156
SLIDER, UHMW.....125	TIE ROD ASSEMBLY, GS32.....81	WELDMENT, 1532 COUNTERWT, CE.....83-84
SLIDER,MINI PLATFORM,DRILLED**.....125	TIE ROD ASSY, GS46.....81	WELDMENT, CABLE BRIDGE, 1 ARMS...127, 131
SLIDER,UHMW.....125	TRAVEL ALARM ACC, SLAB.....193	WELDMENT, CABLE BRIDGE, 2 ARMS...127, 131
SNAP RING,EXTERNAL,1.25 DIA.**.....127, 129, 131, 133, 137-138	TUBE, ASSY, DRAW.....101, 103, 181, 184	WELDMENT, CHAIN GATE.....153
SNAP RING,EXTERNAL,1.5 DIA***..135, 137-138, 141-142	TUBE, ASSY, RETURN.....101, 103, 181, 184	WELDMENT, LINK, SINGLE.....127, 129, 131, 133
SPACER,.75ID X 1.5OD X 1/4THK.....91	TUBE, DRAW.....103	WELDMENT, POTHOLE, LEFT SIDE.....91
SPACER,1/4ID X 1/2OD X .313.....207	TUBE, ENTRY SWING, GS32.....152-153	WELDMENT, POTHOLE, RIGHT SIDE.....91
SPACER,NY.12IDX.25ODX.188.....117	TUBE, RETURN.....101	WELDMENT, STR YOKE, 30 MINI LT.....79
SPACER-DUAL COIL,#10, SCISSORS.....173, 189	TUBE, VERT, FOLDING.....147-148, 152-153	WELDMENT, STR YOKE, 30 MINI RT.....79
SPACER-DUAL COIL,#8***.....173	TUBING,PVC,1",BLACK***.....152-153, 159	WELDMENT, STR YOKE, 32 MINI LT.....79
SPRING CLIP,1/4 TURN,.188PANEL.....105	TURNSWITCH ACTUATOR,JOYSTICK**.....165	
SPRING CLIP,1/4-20,.025-15X.54,ZAG.....87, 101, 103, 105, 115, 201		
SPRING CLIP,10-24,.025-125X.468,ZAG...101	U	
SPRING,COMPRESSION .835 X 2...153, 156, 159	U-BOLT, SQR, 3/8-16X2X5, PLTD.....203	

Part Description Index (continued)

WELDMENT,CABLE BRIDGE***.....142
 W E L D M E N T , C A B L E BRIDGE, TOP,32XX.....141-142
 W E L D M E N T , C A B L E BRIDGE, TOP, MINI.....129, 133
 WELDMENT,CABLEBRIDGE HOOK.....135, 137-138, 141-142
 WELDMENT,CABLEBRIDGE, SHORT.....135, 137-138, 141-142
 WELDMENT,CONTROLLER BRACKET.....117
 WELDMENT,LINK PLATFORM MNT***.....127, 129, 131, 133
 WELDMENT,ROLLER BRACKET,LT***.....147-148, 153, 156
 WELDMENT,CABLE BRIDGE, TOP...135, 137-138, 142
 WHEEL & TIRE ASSY LP,15".....81, 83-84
 WHEEL & TIRE ASSY,LP,12"*****.....79, 83-84
 WIRE ASSEMBLY,PLAT/CHASS, 20XX....108, 112
 WIRE ASSEMBLY,PLAT/CHASS, 26XX....108, 112
 WIRE ASSEMBLY,PLAT/CHASS, 32XX....108, 112
 WIRE ASSEMBLY,PLAT/CHASS,15XX.....108, 112
 WIRE ASSEMBLY,PLAT/CHASS,19XX.....108, 112
 WIRE ASSY,CONTROLLER CABLE.....117
 WIRE ASSY,ECU TO CHASSIS,GS30.....107-108, 111-112
 WIRE ASSY, O/R, PLAT TO CHASSIS,3232.....108, 112
 WIRE ASSY,OR SYS.....107-108, 111-112
 WIRE CABLE,14/3 CON.TPE JKT*...108, 112, 161
 WIRE CAP,ORANGE.....161
 WLDMNT,CABLE BRIDGE,LOWER.....135, 138, 142
 WLDMT, ENTRY SIDERAIL, LT.....156
 WLDMT, ENTRY SIDERAIL, RT.....156
 WLDMT, EXT DECK LWR RAIL.....147-148
 WLDMT, FORMING, HALFGATE CATCH.....148, 159
 WLDMT, LOWER EXT RAIL.....153
 WLDMT, MAIN SIDERAIL,UPPRT **.....147-148
 WLDMT, MAIN SIDERAIL,UPPER,LFT.....147-148
 WLDMT, OUTRIGGER, FRONT.....115
 WLDMT, OUTRIGGER, LR.....115
 WLDMT, OUTRIGGER, RR.....115
 WLDMT,CABLE BRIDGE,BOTTOM.....135, 137-138, 142
 WLDMT,CABLE BRIDGE,BOTTOM,3246...142
 W L D M T , C A B L E BRIDGE,BOTTOM,MINI.....129, 133
 WLDMT,CABLE BRIDGE,LOWER,MINI.....129, 133
 WLDMT,LNK,INNER #3,32XX.....142
 WLDMT,LNK,OUT #3-20XX,#5-32XX.....135, 141-142
 WLDMT,LNK,OUTER #2,#3,#4.....135, 137-138, 141-142
 WLDMT,LNK,OUTER #4,26XX.....137-138
 WLDMT,LNK,OUTER #4,26XX,LEFT.....137-138

WLDMT,LOCKING ROLLER SUPPORT...147-148, 152-153, 155-156
 WLDMT,PLATFORM SLIDER.....125
 WLDMT,POTHOLE,LT,OR.....91
 WLDMT,POTHOLE,RT,OR.....91
 WLDMT,STEER YOKE,LT,GS32/46.....81
 WLDMT,STEER YOKE,RT,GS32/46.....81
 WLDMT/ASSY, PH GUIDE,GS30/32.....89, 91
 WLDMT/ASSY,PH GUIDE,GS46.....91
 WLDT, HALF GATE CATCH, GS32.....153
 WORKLIGHT ACCESSORY,GS15XX.....197
 WORKLIGHT ACCESSORY,GS19/20XX.....197
 WORKLIGHT ACCESSORY,GS26XX.....197
 WORKLIGHT ACCESSORY,GS32XX.....197
 WORKLIGHT BRACKET.....197
 WORKLIGHT CABLE,GS15XX.....197
 WORKLIGHT CABLE,GS19/20XX.....197
 WORKLIGHT CABLE,GS26XX.....197
 WORKLIGHT CABLE,GS32XX.....197
 WORKLIGHT PIGTAIL ASSY.....197
 WORKLIGHT,24V,COIL CORD.....197

This Page Intentionally Left Blank

Fitting Cross References

Genie PN	Parker PN	Description	Genie PN	Parker PN	Description
12342	6-4 F5OX-S	CONNECTOR,STRAIGHT THREAD TO FLARE TUBE	42794	1 CR-S	ELBOW,90°,MALE PIPE
13757	4 R6X-S	RUN TEE,SWIVEL NUT,ORFS	42795	BV-0839	BALL VALVE
19685	12-10 C5OX-S	ELBOW,90°,STRAIGHT THREAD TO FLARE TUBE	42796	BV-0838	BALL VALVE
22664	12-10 C5OX	ELBOW,90°,STRAIGHT THREAD TO FLARE TUBE	42874	6-8 CLO-S	ELBOW,90°,MALE PIPE TO ORFS
27431	8-12 F5OX-S	CONNECTOR,STRAIGHT THREAD TO FLARE TUBE	42912	13943-6-4	HOSE END,90° FEMALE SWIVEL,JIC
28678	AS-B-33	SLEEVE,NYLON,1.81" ID	42920	BV-0840	BALL VALVE,90°
39871	6 WETX-WLN-S	UNION,90° BULKHEAD W/NUT,FLARE TUBE	42932	AS-B-17	SLEEVE,NYLON,1.22" ID
39872	4 R5OX-S	RUN TEE,STRAIGHT THREAD	42936	10243-2-4	HOSE END,FEMALE PIPE
39873	6 C5OX-S	ELBOW,90°,STRAIGHT THREAD TO FLARE TUBE	42953	1/2 DD-S	ELBOW,90°,FEMALE PIPE
39874	8-6 C5OX-S	ELBOW,90°,STRAIGHT THREAD TO FLARE TUBE	42956	6 WELO-WLNL-S	UNION,90° BULKHEAD W/NUT,ORFS
39875	4-6 C5OX-S	ELBOW,90°,STRAIGHT THREAD TO FLARE TUBE	45349	8 V5OX-S	ELBOW,45°,STRAIGHT THREAD TO FLARE TUBE
39876	6-8 C5OX-S	ELBOW,90°,STRAIGHT THREAD TO FLARE TUBE	45351	4 V5OX-S	ELBOW,45°,STRAIGHT THREAD TO FLARE TUBE
39877	4 F5OX-S	CONNECTOR,STRAIGHT THREAD TO FLARE TUBE	47223	10343-6-6	HOSE END,MALE,JIC
39878	6 F5OX-S	CONNECTOR,STRAIGHT THREAD TO FLARE TUBE	47419	PS690503-6-6	SWIVEL,90°,STRAIGHT THREAD TO 37° FLARE
39879	4-8 F5OX-S	CONNECTOR,STRAIGHT THREAD TO FLARE TUBE	48750	421-4	HOSE,1/4 INCH ID
39880	6-10 F5OX-S	CONNECTOR,STRAIGHT THREAD TO FLARE TUBE	48751	481TC-4	HOSE,1/4 INCH ID
39881	4-6 F5OX-S	CONNECTOR,STRAIGHT THREAD TO FLARE TUBE	48752	482TC-4	HOSE,1/4 INCH ID
39882	4-HP5ON-S	PLUG,STRAIGHT THREAD	48753	451TC-6	HOSE,3/8 INCH ID
39883	8-8 FTX-S	CONNECTOR,MALE PIPE TO FLARE TUBE	48754	482TC-6	HOSE,3/8 INCH ID
39885	269HB 12-12	ELBOW,90°,BEADED HOSE BARB TO MALE PIPE	48755	381-6	HOSE,3/8 INCH ID
39886	431-6	HOSE,3/8 INCH ID	48756	451TC-8	HOSE,1/2 INCH ID
39887	540N-2	HOSE,1/8 INCH ID	48757	482TC-8	HOSE,1/2 INCH ID
39888	801-8	HOSE,1/2 INCH ID	48758	381-8	HOSE,1/2 INCH ID
39889	801-12	HOSE,3/4 INCH ID	48759	381-10	HOSE,5/8 INCH ID
39890	10643-6-6	HOSE END,FEMALE SWIVEL,JIC	48760	451TC-10	HOSE,5/8 INCH ID
39891	13943-6-6	HOSE END,90° FEMALE SWIVEL,JIC	48761	482TC-12	HOSE,3/4 INCH ID
39892	13743-6-6	HOSE END,45° FEMALE SWIVEL,JIC	48762	451TC-12	HOSE,3/4 INCH ID
39894	30682-8-8	HOSE END,FEMALE SWIVEL,JIC	48763	772-12	HOSE,3/4 INCH ID
39895	30682-10-12	HOSE END,FEMALE SWIVEL,JIC	48764	881-16	HOSE,1 INCH ID
42286	8-8 CTX-S	ELBOW,90°,MALE PIPE TO FLARE TUBE	48765	772-16	HOSE,1 INCH ID
42756	8-12 CLO-S	ELBOW,90,MALE PIPE TO ORFS	48766	AS-B-15	SLEEVE,NYLON,1.06" ID
42757	8-12 FLO-S	CONNECTOR,MALE PIPE TO ORFS	48767	AS-B-22	SLEEVE,NYLON,1.42" ID
42758	4 JLO-S	UNION TEE,ORFS	48770	881-8	HOSE,1/2 INCH ID
42759	4-4 FLO-S	CONNECTOR,MALE PIPE TO ORFS			
42760	6-8 FLO-S	CONNECTOR,MALE PIPE TO ORFS			
42761	1J143-6-4	HOSE END,90° FEMALE SWIVEL,SEAL LOK			
42762	1J743-6-4	HOSE END,45° FEMALE SWIVEL,SEAL LOK			
42768	1JO43-4-4	HOSE END,MALE,SEAL LOK			
42776	601-8	HOSE,1/2 INCH ID			
42777	1J743-16-16	HOSE END,45° FEMALE SWIVEL,SEAL LOK			
42786	16 CLO-S	ELBOW,90°,MALE PIPE TO ORFS			
42787	16 R6LO-S	RUN TEE,SWIVEL NUT,ORFS			
42788	16-8 TRLO-BL-S	REDUCER,TUBE END TO SWIVEL,ORFS			
42789	6-6 CLO-S	ELBOW,90°,MALE PIPE TO ORFS			
42790	8-10 V5OLO-S	ELBOW,45°,STRAIGHT THREAD TO ORFS			
42791	3/4 CD-S	ELBOW,90°,MALE TO FEMALE PIPE			
42792	3/4 X 1/2 PTR-S	REDUCER,MALE TO FEMALE PIPE			
42793	1/2 CR-S	ELBOW,90°,MALE PIPE			

Fitting Cross References (Continued)

Genie PN	Parker PN	Description	Genie PN	Parker PN	Description
48771	881-10	HOSE,5/8 INCH ID	48847	13943-12-12	HOSE END,90° FEMALE SWIVEL,JIC
48772	381-4	HOSE,1/4 INCH ID	48848	10543-12-12	HOSE END,MALE,STRAIGHT THREAD
48773	AS-B-13	SLEEVE,NYLON,.86" ID	48849	1JC71-12-12	HOSE END,FEMALE SWIVEL,SEAL LOK
48800	1JC43-4-4	HOSE END,FEMALE SWIVEL,SEAL LOK	48850	1JS71-12-12	HOSE END,FEMALE SWIVEL,SEAL LOK
48801	1J743-4-4	HOSE END,45° FEMALE SWIVEL,SEAL LOK	48851	1J171-12-12	HOSE END,90° FEMALE SWIVEL,SEAL LOK
48802	1J943-4-4	HOSE END,90° FEMALE SWIVEL,SEAL LOK	48852	1J771-12-12	HOSE END,45° FEMALE SWIVEL,SEAL LOK
48804	1JM43-4-4	HOSE END,MALE,SEAL LOK, NO O-RING	48853	1J971-12-12	HOSE END,90° FEMALE SWIVEL,SEAL LOK
48805	10643-4-4	HOSE END,FEMALE SWIVEL,JIC	48854	1JC43-16-16	HOSE END,FEMALE SWIVEL,SEAL LOK
48806	13943-4-4	HOSE END,90° FEMALE SWIVEL,JIC	48855	1J943-16-16	HOSE END,90° FEMALE SWIVEL,SEAL LOK
48807	1JS43-4-4	HOSE END,FEMALE SWIVEL,SEAL LOK	48856	1J171-16-16	HOSE END,90° FEMALE SWIVEL,SEAL LOK
48808	3JC82-8-8	HOSE END,FEMALE SWIVEL,SEAL LOK	48857	1J971-16-16	HOSE END,90° FEMALE SWIVEL,SEAL LOK
48809	3JC82-12-12	HOSE END,FEMALE SWIVEL,SEAL LOK	48859	1JS43-8-4	HOSE END,FEMALE SWIVEL,SEAL LOK
48810	1JC43-6-4	HOSE END,FEMALE SWIVEL,SEAL LOK	48867	PD36BTL	DIAGNOSTIC NIPPLE,SEAL-LOK SWIVEL
48811	1J943-6-4	HOSE END,90° FEMALE SWIVEL,SEAL LOK	48873	6 PNLO-S	PLUG,TUBE END,ORFS
48812	1JC43-6-6	HOSE END,FEMALE SWIVEL,SEAL LOK	48874	6 PNTX-S	PLUG,FLARE TUBE
48813	1J143-6-6	HOSE END,90° FEMALE SWIVEL,SEAL LOK	48875	6 R6LO-S	RUN TEE,SWIVEL NUT,ORFS
48814	1J543-6-6	HOSE END,90° FEMALE SWIVEL,SEAL LOK	48877	4 F5OLO-SW/.025	CONNECTOR,STRAIGHT THREAD TO ORFS, W/.025 ORI
48815	1J743-6-6	HOSE END,45° FEMALE SWIVEL,SEAL LOK	48878	16-12 C5OLO-S	ELBOW,90°,STRAIGHT THREAD TO ORFS
48816	1J943-6-6	HOSE END,90° FEMALE SWIVEL,SEAL LOK	48879	8 C6LO-S	ELBOW,90°,SWIVEL NUT ORFS
48817	1JS43-6-8	HOSE END,FEMALE SWIVEL,SEAL LOK	48880	PD6-285	CAP,DIAGNOSTIC NIPPLE
48818	1J943-8-4	HOSE END,90° FEMALE SWIVEL,SEAL LOK	48881	6 HLO-S	UNION,ORFS
48819	1JC43-8-6	HOSE END,FEMALE SWIVEL,SEAL LOK	48883	8 P5ON-S	PLUG,STRAIGHT THREAD
48820	1J743-8-6	HOSE END,45° FEMALE SWIVEL,SEAL LOK	48884	8M18F87OMLO-S	CONNECTOR,METRIC,STRAIGHT THREAD TO ORFS
48821	1J943-8-6	HOSE END,90° FEMALE SWIVEL,SEAL LOK	48885	4 WGTX-WLN-S	CONNECTOR,BULKHEAD,FEMALE PIPE TO FLARE TUBE
48822	1JC43-8-8	HOSE END,FEMALE SWIVEL,SEAL LOK	48886	4 F5OLO-SW/2MM	CONNECTOR,MACHINED STRAIGHT THREAD TO ORFS
48823	1JS43-8-8	HOSE END,FEMALE SWIVEL,SEAL LOK	48887	4 CTX-S	ELBOW,90°,MALE PIPE TO FLARE TUBE
48824	1J143-8-8	HOSE END,90° FEMALE SWIVEL,SEAL LOK	48888	10-12 V5OLO-S	ELBOW,45°,STRAIGHT THREAD TO ORFS
48825	1J543-8-8	HOSE END,90° FEMALE SWIVEL,SEAL LOK	48890	4 S5OLO-S	BRANCH TEE,STRAIGHT THREAD TO ORFS
48826	1J743-8-8	HOSE END,45° FEMALE SWIVEL,SEAL LOK	48891	4 S6LO-S	BRANCH TEE,SWIVEL NUT TO ORFS
48827	1J943-8-8	HOSE END,90° FEMALE SWIVEL,SEAL LOK			
48828	1JC43-10-8	HOSE END,FEMALE SWIVEL,SEAL LOK			
48829	1JS43-10-8	HOSE END,FEMALE SWIVEL,SEAL LOK			
48830	1J743-10-8	HOSE END,45° FEMALE SWIVEL,SEAL LOK			
48831	1J943-10-8	HOSE END,90° FEMALE SWIVEL,SEAL LOK			
48833	1JC43-10-10	HOSE END,FEMALE SWIVEL,SEAL LOK			
48834	1J943-10-10	HOSE END,90° FEMALE SWIVEL,SEAL LOK			
48835	1JS43-10-12	HOSE END,FEMALE SWIVEL,SEAL LOK			
48836	1JC43-12-8	HOSE END,FEMALE SWIVEL,SEAL LOK			
48837	1JS43-12-8	HOSE END,FEMALE SWIVEL,SEAL LOK			
48838	1J743-12-8	HOSE END,45° FEMALE SWIVEL,SEAL LOK			
48839	1J943-12-8	HOSE END,90° FEMALE SWIVEL,SEAL LOK			
48840	1J943-12-10	HOSE END,90° FEMALE SWIVEL,SEAL LOK			
48841	1JC43-12-12	HOSE END,FEMALE SWIVEL,SEAL LOK			
48842	1JO43-12-12	HOSE END,MALE,SEAL LOK			
48843	1J143-12-12	HOSE END,90° FEMALE SWIVEL,SEAL LOK			
48844	1J543-12-12	HOSE END,90° FEMALE SWIVEL,SEAL LOK			
48845	1J743-12-12	HOSE END,45° FEMALE SWIVEL,SEAL LOK			
48846	1J943-12-12	HOSE END,90° FEMALE SWIVEL,SEAL LOK			

Fitting Cross References (Continued)

Genie PN	Parker PN	Description	Genie PN	Parker PN	Description
48892	6 C6LO-S	ELBOW,90°,SWIVEL NUT ORFS	48938	8 R6LO-S	RUN TEE,SWIVEL NUT,ORFS
48893	6 F5OHAO-S	UNION,STRAIGHT THREAD	48939	8 S6LO-S	BRANCH TEE,SWIVEL NUT TO ORFS
48894	8 WLO-WLNL-S	UNION,BULKHEAD,ORFS	48940	8 WJLO-WLNL-S	RUN TEE, BULKHEAD,ORFS
48895	DT-370-MSMO-5	VALVE,CHECK	48941	8-4 TRLO-S	REDUCER,TUBE END TO SWIVEL,ORFS
48896	6 JLO-S	UNION,TEE,ORFS	48942	8-6 C5OLO-S	ELBOW,90°,STRAIGHT THREAD TO ORFS
48897	DT-750-MSMS-5	VALVE,CHECK	48943	8-6 F5OLO-S	CONNECTOR,STRAIGHT THREAD TO ORFS
48898	DT-750-MOMS-5	VALVE,CHECK	48944	8-8 FLO-S	CONNECTOR,MALE PIPE TO ORFS
48899	DT-620-MOMS-5	VALVE,CHECK	48945	8 FTX-S	CONNECTOR,MALE PIPE TO FLARE TUBE
48900	4-6 F5OLO-SW/.035	CONNECTOR,STRAIGHT THREAD TO ORFS, W/.035 ORI	48946	8-10 F5OLO-S	CONNECTOR,STRAIGHT THREAD TO ORFS
48902	16-1 AOE4G-S	ELBOW,90° LONG,FEMALE PIPE TO STRAIGHT THREAD	48947	8-12 C5OLO-S	ELBOW,90°,STRAIGHT THREAD TO ORFS
48903	1 FF-S	NIPPLE,PIPE	48948	8-12 F5OLO-S	CONNECTOR,STRAIGHT THREAD TO ORFS
48904	4 C5OLO-S	ELBOW,90°,STRAIGHT THREAD TO ORFS	48949	8-16 F5OLO-S	CONNECTOR,STRAIGHT THREAD TO ORFS
48905	4 F5OLO-S	CONNECTOR,STRAIGHT THREAD TO ORFS	48950	10 C5OLO-S	ELBOW,90°,STRAIGHT THREAD TO ORFS
48906	4 R5OLO-S	RUN TEE,STRAIGHT THREAD	48951	10 CC5OLO-S	ELBOW,90° LONG,STRAIGHT THREAD TO ORFS
48907	4 V5OLO-S	ELBOW,45°,STRAIGHT THREAD TO ORFS	48952	10 F5OLO-S	CONNECTOR,STRAIGHT THREAD TO ORFS
48908	4 R6LO-S	RUN TEE,SWIVEL NUT,ORFS	48953	10 R5OLO-S	RUN TEE,STRAIGHT THREAD
48909	4 WJLO-WLNL-S	RUN TEE, BULKHEAD,ORFS	48954	10 S5OLO-S	BRANCH TEE,STRAIGHT THREAD TO ORFS
48910	4 GTX-S W/.030	CONNECTOR,FEMALE PIPE TO FLARE TUBE	48955	10 R6LO-S	RUN TEE,SWIVEL NUT,ORFS
48911	4-6 C5OLO-S	ELBOW,90°,STRAIGHT THREAD TO ORFS	48956	10-4 TRLO-BL-S	REDUCER,TUBE END TO SWIVEL,ORFS
48912	4-6 F5OLO-S	CONNECTOR,STRAIGHT THREAD TO ORFS	48957	10-6 TRLO-BL-S	REDUCER,TUBE END TO SWIVEL,ORFS
48913	4-6 F5OLO-SW/.030	CONNECTOR,STRAIGHT THREAD TO ORFS, W/.030 ORI	48958	10-12 F5OLO-S	CONNECTOR,STRAIGHT THREAD TO ORFS
48914	4-8 F5OLO-S	CONNECTOR,STRAIGHT THREAD TO ORFS	48959	12 C5OLO-S	ELBOW,90°,STRAIGHT THREAD TO ORFS
48915	6 C5OLO-S	ELBOW,90°,STRAIGHT THREAD TO ORFS	48960	12 F5OLO-S	CONNECTOR,STRAIGHT THREAD TO ORFS
48916	6 F5OLO-S	CONNECTOR,STRAIGHT THREAD TO ORFS	48961	12 R5OLO-S	RUN TEE,STRAIGHT THREAD
48917	6 FF5OLO-S	CONNECTOR,LONG,STRAIGHT THREAD TO ORFS	48962	12 S5OLO-S	BRANCH TEE,STRAIGHT THREAD TO ORFS
48918	6 R5OLO-S	RUN TEE,STRAIGHT THREAD	48963	12 V5OLO-S	ELBOW,45°,STRAIGHT THREAD TO ORFS
48919	6 S5OLO-S	BRANCH TEE,STRAIGHT THREAD TO ORFS	48964	12 R6LO-S	RUN TEE,SWIVEL NUT,ORFS
48920	6 V5OLO-S	ELBOW,45°,STRAIGHT THREAD TO ORFS	48965	12 CLO-S	ELBOW,90°,MALE PIPE TO ORFS
48921	6 FLO-S	CONNECTOR,MALE PIPE TO ORFS	48966	12 FLO-S	CONNECTOR,MALE PIPE TO ORFS
48922	6-6 FLO-S	CONNECTOR,MALE PIPE TO ORFS	48967	12 JLO-S	UNION TEE,ORFS
48923	6 P5ON-S	PLUG,STRAIGHT THREAD	48968	12 WLO-WLNL-S	UNION,BULKHEAD,ORFS
48925	6 WELO-S	UNION,90° BULKHEAD,ORFS	48969	12 WJLO-WLNL-S	RUN TEE, BULKHEAD,ORFS
48926	6-4 C5OLO-S	ELBOW,90°,STRAIGHT THREAD TO ORFS	48970	12 WELO-WLNL-S	UNION,90° BULKHEAD W/NUT,ORFS
48927	6-4 F5OLO-S	CONNECTOR,STRAIGHT THREAD TO ORFS			
48928	6-4 V5OLO-S	ELBOW,45°,STRAIGHT THREAD TO ORFS			
48929	6-8 C5OLO-S	ELBOW,90°,STRAIGHT THREAD TO ORFS			
48930	6-8 F5OLO-S	CONNECTOR,STRAIGHT THREAD TO ORFS			
48931	6-10 F5OLO-S	CONNECTOR,STRAIGHT THREAD TO ORFS			
48932	8 C5OLO-S	ELBOW,90°,STRAIGHT THREAD TO ORFS			
48933	8 F5OLO-S	CONNECTOR,STRAIGHT THREAD TO ORFS			
48934	8 FF5OLO-S	CONNECTOR,LONG,STRAIGHT THREAD TO ORFS			
48935	8 R5OLO-S	RUN TEE,STRAIGHT THREAD			
48936	8 S5OLO-S	BRANCH TEE,STRAIGHT THREAD TO ORFS			
48937	8 V5OLO-S	ELBOW,45°,STRAIGHT THREAD TO ORFS			

Fitting Cross References (Continued)

Genie PN	Parker PN	Description	Genie PN	Parker PN	Description
48971	12 G5G5JG5-S	TEE,FEMALE STRAIGHT THREAD	49612	PKT02586	O-RING KIT (ORFS FITTINGS)
48972	12 XHL6-S	ADAPTER, 37° MALE TO SWIVEL ORFS	49613	PKT06276	PLUG AND CAP KIT-SERVICE,ORFS
48973	12-1/2 F5OG-S	ADAPTER,FEMALE PIPE TO STRAIGHT THREAD	49728	10143-12-12	HOSE END, MALE PIPE
48974	12-10 C5OLO-S	ELBOW,90°,STRAIGHT THREAD TO ORFS	49729	16-1 F5OG-S	ADAPTER,FEMALE PIPE TO STRAIGHT THREAD
48975	12-10 F5OLO-S	CONNECTOR,STRAIGHT THREAD TO ORFS	49814	12-8 FLO-S	CONNECTOR,MALE PIPE TO ORFS
48976	12-16 C5OLO-S	ELBOW,90°,STRAIGHT THREAD TO ORFS	49829	DT-500-MOMF-5	VALVE,CHECK
48977	12-16 F5OLO-S	CONNECTOR,STRAIGHT THREAD TO ORFS	49831	881-12	HOSE,3/4 INCH ID
48978	12-16 V5OLO-S	ELBOW,45°,STRAIGHT THREAD TO ORFS	49834	16 JLO-S	UNION TEE,ORFS
48980	12-16 FLO-S	CONNECTOR,MALE PIPE TO ORFS	49838	12-8 TRLO-BL-S	REDUCER,TUBE END TO SWIVEL,ORFS
48983	16 C5OLO-S	ELBOW,90°,STRAIGHT THREAD TO ORFS	49840	8 JLO-S	UNION TEE,ORFS
48984	16 F5OLO-S	CONNECTOR,STRAIGHT THREAD TO ORFS	49844	10-8 TRLO-BL-S	REDUCER,TUBE END TO SWIVEL,ORFS
48985	16 V5OLO-S	ELBOW,45°,STRAIGHT THREAD TO ORFS	49854	8 P5ON-S	PLUG,STRAIGHT THREAD
48986	16 FLO-S	CONNECTOR,MALE PIPE TO ORFS	49855	1JC43-16-12	HOSE END,FEMALE SWIVEL,SEAL LOK
48988	16 CD45-S	ELBOW,45°,MALE TO FEMALE PIPE	49859	4 P5ON-S	PLUG,STRAIGHT THREAD
48989	12 CD45-S	ELBOW,45°,MALE TO FEMALE PIPE	49861	4 FF5OLO-S	CONNECTOR,LONG,STRAIGHT THREAD TO ORFS
48990	8 CD45-S	ELBOW,45°,MALE TO FEMALE PIPE	49867	12-3/4 F5OG-S	ADAPTER,FEMALE PIPE TO STRAIGHT THREAD
48991	16-12 FLO-S	CONNECTOR,MALE PIPE TO ORFS	51152	6 R6X-S	RUN TEE,SWIVEL NUT,ORFS
48992	16-12 V5OLO-S	ELBOW,45°,STRAIGHT THREAD TO ORFS	51153	6-4 TRTX-S	REDUCER,TUBE END TO SWIVEL,ORFS
48993	XV501-12	BALL VALVE	51154	4-4 GTX	CONNECTOR,FEMALE PIPE TO FLARE TUBE
48994	XV501-16	BALL VALVE	51264	881-12	HOSE,3/4 INCH ID
48995	XV510P-12	BALL VALVE	51265	8 JLO-S	UNION TEE,ORFS
48996	XV510P-16	BALL VALVE	51508	6 BTX-S	NUT,FLARE TUBE
48997	PD341	DIAGNOSTIC NIPPLE, STRAIGHT THREAD	51580	12-8 TRLO-BL-S	TUBE END REDUCER,ORFS
48998	PD 361	DIAGNOSTIC NIPPLE, STRAIGHT THREAD	51628	6 R6X-S	RUN TEE,SWIVEL NUT,ORFS
48999	DT-500-MOMS-5	VALVE,CHECK	51735	3/8 HHP	PLUG,PIPE THREAD
49201	10 V5OLO-S	ELBOW,45°,STRAIGHT THREAD TO ORFS	51803	1J943-6-8	HOSE END,90° FEMALE SWIVEL,SEAL LOK
49202	1JC43-12-10	HOSE END,FEMALE SWIVEL,SEAL LOK	53023	125HBL-5-4	FITTING,HOSE BARB TO MALE PIPE
49203	10-8 V5OLO-S	ELBOW,45°,STRAIGHT THREAD TO ORFS	53497	PKT02585	O-RING KIT
49205	6 F5OHAO-S	UNION,STRAIGHT THREAD	53499	1JC71-16-16	HOSE END,FEMALE SWIVEL,SEAL LOK
49207	PD34BTL	DIAGNOSTIC NIPPLE,SEAL-LOK SWIVEL	53500	3-904	O-RING,STRAIGHT THREAD,-4
49209	8M18F870MX-S	CONNECTOR,METRIC,STRAIGHT THREAD TO FLARE TUBE	53501	3-906	O-RING,STRAIGHT THREAD,-6
49212	8 WGTX-WLN-S	CONNECTOR,BULKHEAD,FEMALE PIPE TO FLARE TUBE	53502	3-908	O-RING,STRAIGHT THREAD,-8
49213	30682-8-8	HOSE END,FEMALE SWIVEL,JIC	53503	3-910	O-RING,STRAIGHT THREAD,-10
49216	831-8	HOSE,1/2 INCH ID			
49217	33982-8-8	HOSE END,90° FEMALE SWIVEL,JIC			
49219	PS-B-35	SLEEVE,NYLON,2.19" ID			
49418	4-6 V5OLO-S	ELBOW,45°,STRAIGHT THREAD TO ORFS			
49511	DT370-MOMS-5	VALVE,CHECK			
49512	1 DD-S	ELBOW,90°,FEMALE PIPE			
49513	1 FF-S	NIPPLE,PIPE			
49514	10 HP5ON-S	PLUG,STRAIGHT THREAD			
49515	12-16 CLO-S	ELBOW,90°,MALE PIPE TO ORFS			
49517	6 HP5ON-S	PLUG,STRAIGHT THREAD			
49519	16-12 F5OLO-S	CONNECTOR,STRAIGHT THREAD TO ORFS			
49520	4 VTX-S	ELBOW,45°,MALE PIPE TO FLARE TUBE			
49530	16 C6LO-S	ELBOW,90°,SWIVEL NUT ORFS			

Fitting Cross References (Continued)

Genie PN	Parker PN	Description	Genie PN	Parker PN	Description
53535	3-912	O-RING,STRAIGHT THREAD,-12	61083	24 F5OLO-S	CONNECTOR,STRAIGHT THREAD TO ORFS
53536	4-PNLO-S	PLUG,TUBE END,ORFS	61086	20 R5OLO-S	RUN TEE,STRAIGHT THREAD
53537	6 PNLO-S	PLUG,TUBE END,ORFS	61090	24-20 F5OLO-S	CONNECTOR,STRAIGHT THREAD TO ORFS
53538	8 PNLO-S	PLUG,TUBE END,ORFS	61091	1J943 24-24	HOSE END,90° FEMALE SWIVEL,SEAL LOK
53539	10 PNLO-S	PLUG,TUBE END,ORFS	61093	1J978-12-12	HOSE END,90° FEMALE SWIVEL,JIC
53540	12 PNLO-S	PLUG,TUBE END,ORFS	61095	1JS43-20-16	HOSE END,FEMALE SWIVEL,SEAL LOK
53946	129HB-5-4	FITTING,90° HOSE BARB TO MALE PIPE	61100	811-24	HOSE,11/2 INCH ID
53951	8-1/4F5OG-S	ADAPTER,FEMALE PIPE TO STRAIGHT THREAD	61130	1JS43-24-24	HOSE END,FEMALE SWIVEL,SEAL LOK
53980	6 S6LO-S	BRANCH TEE,SWIVEL NUT TO ORFS	61131	1JS78 12-12	HOSE END,FEMALE SWIVEL,SEAL LOK
54132	4 C6LO-S	ELBOW,90°,SWIVEL NUT ORFS	61132	1J778-12-12	HOSE END,45° FEMALE SWIVEL,JIC
54135	11343-16-16	HOSE END,MALE SWIVEL,PIPE	61152	139HB-6-4	ELBOW,45°,BARB TO MALE PIPE
54283	8-10 C5OLO-S	ELBOW,90°,STRAIGHT THREAD TO ORFS	61251	BV-0750	BALL VALVE
54428	8M18C87OMLO-S	ELBOW, 90° METRIC, STRAIGHT THREAD TO ORFS	61259	4 CC5OLO-S	ELBOW,90° LONG,STRAIGHT THREAD TO ORFS
54803	FS-F-16-10	SLEEVE,FIRE,.96" ID	61260	20-12 TRLO-BL	REDUCER,TUBE END TO SWIVEL,ORFS
54954	10143-2-4	HOSE END, MALE PIPE	61262	12 C6LO-S	ELBOW,90°,SWIVEL NUT ORFS
55190	3/8 HP-S	PLUG,PIPE THREAD	61263	20 F5OHAO-S	UNION,STRAIGHT THREAD
55448	8 HLO-S	UNION,ORFS	61264	6-10 C5OLO-S	ELBOW,90°,STRAIGHT THREAD TO ORFS
55839	6 F65OX-S	CONNECTOR,STRAIGHT THREAD TO 37° SWIVEL	61265	6 WNLO-WLNL-S	UNION,BULKHEAD 45°,ORFS
55968	10 C5OX-S	ELBOW,90°,STRAIGHT THREAD TO FLARE TUBE	61268	4 WNLO-WLNL-S	UNION,BULKHEAD 45°,ORFS
56003	6 CC5OLO-S	ELBOW,90° LONG,STRAIGHT THREAD TO ORFS	61269	4 WLO-WLNL-S	UNION,BULKHEAD,ORFS
56166	BV-0837	BALL VALVE,90°	61272	12 AOEL6	ELBOW,90°,STRAIGHT THREAD TO ORFS SWIVEL
56188	10143-8-6	HOSE END, MALE PIPE	61316	482TC-16	HOSE,1 INCH ID
56233	2-011	O-RING,ORFS,-4	61321	6 JLO-S	UNION TEE,ORFS
56234	2-012	O-RING,ORFS,-6	61327	782-12	HOSE,3/4 INCH ID
56235	2-014	O-RING,ORFS,-8	61328	881-24	HOSE,11/2 INCH ID
56236	2-016	O-RING,ORFS,-10	61336	11943-20-24	HOSE END,90° FLANGE HEAD
56237	2-018	O-RING,ORFS,-12	61345	12 WJLO-WLNL-S	RUN TEE, BULKHEAD,ORFS
56238	2-021	O-RING,ORFS,-16	61346	8 WNLO-WLNL-S 4	UNION,BULKHEAD 45°,ORFS
56352	6 WLNL-S	LOCKNUT,BULKHEAD	61569	33782-8-8	HOSE END,45° FEMALE SWIVEL,JIC
56353	3J782-12-12	HOSE END,45° FEMALE SWIVEL,SEAL LOK	61610	12 FF5OLO-S	CONNECTOR,LONG,STRAIGHT THREAD TO ORFS
56354	3J982-12-12	HOSE END,90° FEMALE SWIVEL,SEAL LOK	61742	1/8 X 1.5 FFF	NIPPLE,PIPE
56604	10-8 F5OLO-S	CONNECTOR,STRAIGHT THREAD TO ORFS	63426	8 PNTX-S	PLUG,FLARE TUBE
56639	3JC82-10-10	HOSE END,FEMALE SWIVEL,SEAL LOK			
56640	3J982-10-10	HOSE END,90° FEMALE SWIVEL,SEAL LOK			
56655	3JC82-8-10	HOSE END,FEMALE SWIVEL,SEAL LOK			
56676	10-8 C5OLO-S	ELBOW,90°,STRAIGHT THREAD TO ORFS			
56776	471TC-6	HOSE,3/8 INCH ID			
56777	471TC-8	HOSE,1/2 INCH ID			
56789	811-16	HOSE,1 INCH ID			
57884	3/8 FF	NIPPLE,PIPE			
59335	6 FNL-S	CAP, TUBE END			
59342	4 FNL-S	CAP, TUBE END			
59371	8 HP5ON-S	PLUG,STRAIGHT THREAD			
60653	BV-0751	BALL VALVE			
60806	125HB-3-4	FITTING,HOSE BARB TO MALE PIPE			
61064	5-1/4 F5OG-S	ADAPTER,FEMALE PIPE TO STRAIGHT THREAD			
61079	4 WELO-WLNL-S	UNION,90° BULKHEAD W/NUT,ORFS			
61080	6 WLO-WLNL-S	UNION,BULKHEAD,ORFS			

Fitting Cross References (Continued)

Genie PN	Parker PN	Description	Genie PN	Parker PN	Description
64271	4 WLO-WLNL-S	UNION,BULKHEAD,ORFS	75631	801-6	HOSE,3/8 INCH ID
64272	6 WLO-WLNL-S	UNION,BULKHEAD,ORFS	75654	20 F5OLO-S	CONNECTOR,STRAIGHT THREAD TO ORFS
65776	8 F65OL-S	CONNECTOR,STRAIGHT THREAD TO ORFS SWIVEL	75655	1J943-20-20	HOSE END,90° FEMALE SWIVEL,SEAL LOK
65880	6001012	O-RING KIT	75656	881-20	HOSE,1-1/4 INCH ID
66154	6 WTX-WLNS	UNION,BULKHEAD,FLARE TUBE	75971	8 F5OHAO-S	UNION,STRAIGHT THREAD
66155	6 WETX-S	UNION,BULKHEAD 90°,FLARE TUBE	77307	1JB43-8-8	HOSE END,BULKHEAD,SEAL LOK
66156	6 WLN-S	BULKHEAD LOCKNUT	77309	8 WLNL-S	BULKHEAD LOCKNUT
66389	6-8 F5OX-S	CONNECTOR,STRAIGHT THREAD TO FLARE TUBE	77379	8M18C87OMX-S	ELBOW,90° METRIC,STRAIGHT THREAD TO FLARE TUBE
66392	6 R5OX-S	RUN TEE,STRAIGHT THREAD	77703	3J982-8-8	HOSE END,90° FEMALE SWIVEL,SEAL LOK
66396	811-12	HOSE,3/4 INCH ID	77711	801-10	HOSE,5/8 INCH ID
66829	H3174PP	CLAMP,TUBE	77758	12 WNLO-WLNL-S	UNION,BULKHEAD 45°,ORFS
67217	4 KLO-S	UNION,CROSS,ORFS	78091	6 C6X-S	ELBOW,90°,SWIVEL NUT TO FLARE TUBE
67339	10-6 F5OX-S	CONNECTOR,STRAIGHT THREAD TO FLARE TUBE	78684	30582-8-8B	HOSE END,PUSH LOK,MALE
67357	13943-8-6	HOSE END,90° FEMALE SWIVEL,JIC	78852	549-2	HOSE,1/8 INCH ID
67358	10 HP5ON-S	PLUG,STRAIGHT THREAD	78855	10657-4-2	HOSE END,FEMALE SWIVEL,JIC
67371	12 S6LO-S	BRANCH TEE,SWIVEL NUT TO ORFS	79138	PS-B-37	SLEEVE,NYLON,2.38" ID
67498	4 FNL-S	CAP, TUBE END	79476	1JS43-6-8	HOSE END,FEMALE SWIVEL,SEAL LOK
67906	DC-370-F0F0-5	VALVE,CHECK	79847	12-3/4 A0EG-S	ELBOW,90°,STRAIGHT THREAD TO FEMALE PIPE
69316	8 FLO-S	CONNECTOR,MALE PIPE TO ORFS	80044	8 CLO-S	ELBOW,90°,MALE PIPE TO ORFS
69333	H3174PP	CLAMP,HYDRAULIC HOSE	80502	8 F5OX-S	CONNECTOR,STRAIGHT THREAD TO FLARE TUBE
69503	4 F65OX-S	CONNECTOR,STRAIGHT THREAD TO 37° SWIVEL	80503	8 C5OX-S	ELBOW,90°,STRAIGHT THREAD TO FLARE TUBE
69775	8 FNL-S	CAP, TUBE END	81010	AS-B-27	SLEEVE,NYLON,1.63" ID
71038	1/4X1/4F3HG-S	ADAPTER,CONVERSION	83052	821-6	HOSE,3/8 INCH ID
71196	12-8 F5OLO-S	CONNECTOR,STRAIGHT THREAD TO ORFS	83053	821-8	HOSE,1/2 INCH ID
71383	1/4 CD45-S	ELBOW,45°,MALE TO FEMALE PIPE	83054	821-12	HOSE,3/4 INCH ID
72270	12FNL-S	CAP, TUBE END	83055	30682-6-6	HOSE END,FEMALE SWIVEL,JIC
73436	60C-4	SLEEVE,COMPRESSION	83056	30682-12-12	HOSE END,FEMALE SWIVEL,JIC
73437	61C-4	NUT,COMPRESSION	83057	33782-6-6	HOSE END,45° FEMALE SWIVEL,JIC
73438	33482-4-4B	HOSE END,PUSH LOK,MALE	83058	33982-6-6	HOSE END,90° FEMALE SWIVEL,JIC
73767	1CD-S	ELBOW,90°,MALE TO FEMALE PIPE	83060	33982-12-12	HOSE END,90° FEMALE SWIVEL,JIC
73768	20-16-F5OG5-S	ADAPTER,FEMALE PIPE TO STRAIGHT THREAD	83063	13743-4-4	HOSE END,45° FEMALE SWIVEL,JIC
73769	16-20 F5OLO-S	CONNECTOR,STRAIGHT THREAD TO ORFS			
74660	6-8 F42EDMLO-S	CONNECTOR,MALE BSPP TO ORFS			
74661	8-8 F42EDMLO-S	CONNECTOR,MALE BSPP TO ORFS			
75007	4 FLO-S	CONNECTOR,MALE PIPE TO ORFS			
75008	1/8 HP-S	PLUG,PIPE THREAD			
75014	1/2 HP-S	PLUG,PIPE THREAD			
75042	8 WELO-WLNL-S	UNION,90° BULKHEAD W/NUT,ORFS			
75043	3/4 FF-S	NIPPLE,PIPE			
75254	24 F5OHAO-S	UNION,STRAIGHT THREAD			
75255	12 F5OHAO-S	UNION,STRAIGHT THREAD			
75256	XV506P-24	BALL VALVE			
75574	4 WLNL-S	BULKHEAD LOCKNUT			
75612	8 WJLO-WLNL-S	RUN TEE, BULKHEAD,ORFS			
75613	12-8 F5OG5-S	ADAPTER,FEMALE PIPE TO STRAIGHT THREAD			
75614	8 CC5OLO-S	ELBOW,90° LONG,STRAIGHT THREAD TO ORFS			
75628	1JB43-4-4	HOSE END,BULKHEAD,SEAL LOK			

Fitting Cross References (Continued)

Genie PN	Parker PN	Description	Genie PN	Parker PN	Description
83064	13743-8-8	HOSE END,45° FEMALE SWIVEL,JIC	89449	6 WJLO-WLNL-S	RUN TEE, BULKHEAD,ORFS
83065	13743-12-12	HOSE END,45° FEMALE SWIVEL,JIC	89489	4 WJMLO-S	BRANCH TEE,BULKHEAD,ORFS
83066	13943-8-8	HOSE END,90° FEMALE SWIVEL,JIC	89551	1JB43-6-6	HOSE END,BULKHEAD,SEAL LOK
83067	14143-6-6	HOSE END,90° FEMALE SWIVEL,JIC	89552	1JB43-8-8	HOSE END,BULKHEAD,SEAL LOK
83068	14143-8-8	HOSE END,90° FEMALE SWIVEL,JIC	89593	20 C5OLO-S	ELBOW,90°,STRAIGHT THREAD TO ORFS
83069	14143-12-12	HOSE END,90° FEMALE SWIVEL,JIC	94161	8-8 CLO-S	ELBOW,90°,MALE PIPE TO ORFS
83070	772-8	HOSE,1/2 INCH ID	94358	351TC-12	HOSE,3/4 INCH ID
83071	10671-8-8	HOSE END,FEMALE SWIVEL,JIC	94418	20 FLO-S	CONNECTOR,MALE PIPE TO ORFS
83072	10671-12-12	HOSE END,FEMALE SWIVEL,JIC	96358	12 TX-S	SLEEVE,FLARE TUBE
83073	13771-8-8	HOSE END,45° FEMALE SWIVEL,JIC	96359	12 BTX-S	NUT,FLARE TUBE
83074	13771-12-12	HOSE END,45° FEMALE SWIVEL,JIC	96397	8 F5OX-S	CONNECTOR,STRAIGHT THREAD TO FLARE TUBE
83075	13971-8-8	HOSE END,90° FEMALE SWIVEL,JIC	96398	12-8 F5OX-S	CONNECTOR,STRAIGHT THREAD TO FLARE TUBE
83076	13971-12-12	HOSE END,90° FEMALE SWIVEL,JIC	96402	10343-6-6	HOSE END,MALE,JIC
83077	14171-8-8	HOSE END,90° FEMALE SWIVEL,JIC	96407	30382-6-6B	HOSE END,MALE,JIC
83078	14171-12-12	HOSE END,90° FEMALE SWIVEL,JIC			
83080	13943-16-16	HOSE END,90° FEMALE SWIVEL,JIC			
83103	10671-16-12	HOSE END,FEMALE SWIVEL,JIC			
83104	10671-10-12	HOSE END,FEMALE SWIVEL,JIC			
83112	1JC71-8-8	HOSE END,FEMALE SWIVEL,SEAL LOK			
83113	1JS71-16-12	HOSE END,FEMALE SWIVEL,SEAL LOK			
83114	1JS71-10-12	HOSE END,FEMALE SWIVEL,SEAL LOK			
83115	1J971-8-8	HOSE END,90° FEMALE SWIVEL,SEAL LOK			
83116	1J171-8-8	HOSE END,90° FEMALE SWIVEL,SEAL LOK			
83117	1J771-8-8	HOSE END,45° FEMALE SWIVEL,SEAL LOK			
83127	1J543-6-8	HOSE END,90° FEMALE SWIVEL,JIC			
83128	1JC43-6-8	HOSE END,FEMALE SWIVEL,SEAL LOK			
87033	12-6 TRLO-S	REDUCER,TUBE END TO SWIVEL,ORFS			
87034	3J782-8-8	HOSE END,45° FEMALE SWIVEL,SEAL LOK			
87172	12 HP5ON-S	PLUG,STRAIGHT THREAD			
87185	8 WNLO-WLNL-S	UNION,BULKHEAD 45°,ORFS			
87246	4 C6X-S	ELBOW,90°,SWIVEL NUT TO FLARE TUBE			
87679	6 LHP-S	FLANGE SEAL FITTING, MALE			
87681	6PLS N0702	BONDED SEAL			
88100	SR88100	ADAPTER,OIL DRAIN,GM 3.0L			
88311	1JS43-20-20	HOSE END,FEMALE SWIVEL,SEAL LOK			
88353	20 V5OLO-S	ELBOW,45°,STRAIGHT THREAD TO ORFS			
88474	10081-20	Crimp Shell, 1.25"			
88475	1988-20-24	HOSE END,90° FLANGE HEAD			
88476	JS88-24-24	HOSE END,FEMALE SWIVEL,SEAL LOK			
88477	1JC88-20-20	HOSE END,FEMALE SWIVEL,SEAL LOK			
88478	811-20	HOSE,11/4 INCH ID			
88936	20-16 F5OLO-S	CONNECTOR,STRAIGHT THREAD TO ORFS			
88937	20-16 FLO-S	CONNECTOR,MALE PIPE TO ORFS			
88938	1JC88-16-16	HOSE END,FEMALE SWIVEL,SEAL LOK			
88939	1J988-16-16	HOSE END,90° FEMALE SWIVEL,ORFS			
88940	811-16	HOSE,1 INCH ID			
88944	1J988-20-20	HOSE END,90° FEMALE SWIVEL,ORFS			
89403	16 VLO-S	ELBOW,45°,MALE PIPE TO ORFS			

California Proposition 65



WARNING

Operating, servicing and maintaining this equipment can expose you to chemicals including engine exhaust, carbon monoxide, phthalates, and lead, which are known to the State of California to cause cancer and birth defects or other reproductive harm. These chemicals can be emitted from or contained in other various parts and systems, fluids and some component wear by-products. To minimize exposure, avoid breathing exhaust, do not idle the engine except as necessary, service your equipment and vehicle in a well-ventilated area and wear gloves or wash your hands frequently when servicing your equipment or vehicle and after operation. For more information go to www.P65Warnings.ca.gov/passenger-vehicle.

Parts Manual

GS-1530, GS-1532, GS-1930, GS-1932,
GS-2032, GS-2632, GS-3232, GS-2046, GS-2646, GS-3246

Part No.
97384

Rev J4

Genie
A TEREK BRAND