

SX SERIES SITE DUMPERS



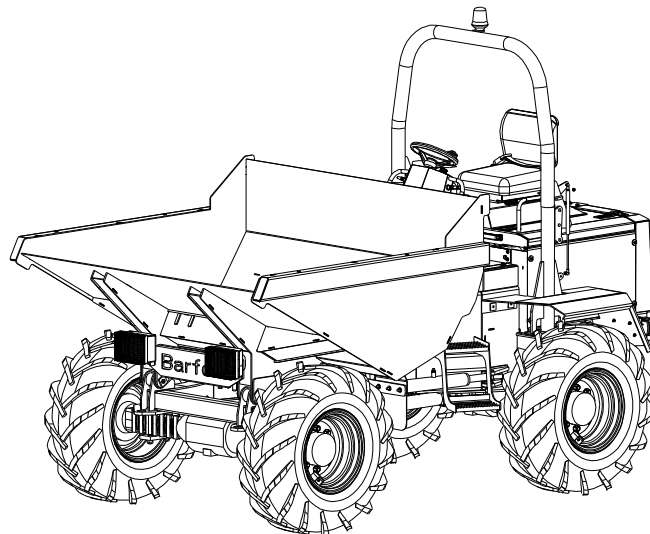
Barford Site Dumpers

Site Dumper

S K 1 0 0 0 0

S K R 9 0 0 0

PARTS MANUAL



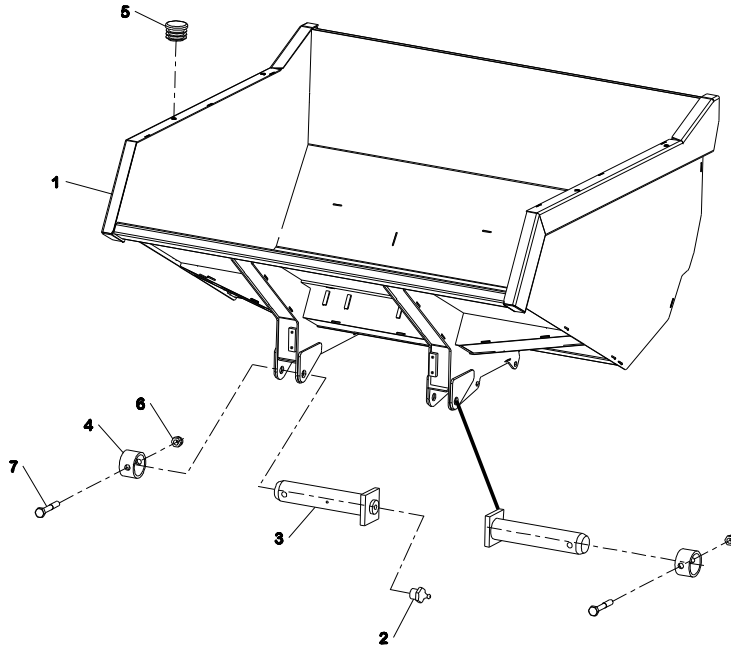
I S S U E : - 1 0 - 0 5 - 2 0 0 6

CONTENTS



PAGE 1	SKIP AND PINS	PAGE 26	THROTTLE ASSEMBLY
PAGE 2	SKIP AND PINS ROTA	PAGE 27	FUEL TANK ASSEMBLY
PAGE 3	TURNABLE	PAGE 28	BATTERY AND FIXINGS
PAGE 4	FRONT CHASSIS AND BOTTOM PIN	PAGE 29	ELECTRICAL GENERAL
PAGE 5	FRONT CHASSIS AND BOTTOM PIN ROTA	PAGE 30	AXLES
PAGE 6	SKIP PROP AND LOCKING PINS	PAGE 31	WHEELS AND TYRES
PAGE 7	SKIP PROP AND LOCKING PINS ROTA	PAGE 32	MUD GUARDS
PAGE 8	STEERING ASSEMBLY	PAGE 33	MUD GUARDS ROTA
PAGE 9	PEDESTAL	PAGE 34	TRANSMISSION
PAGE 10	PEDESTAL ELECTRICS	PAGE 35	PROP SHAFTS
PAGE 11	SEAT	PAGE 36	DROP BOX AND FIXINGS
PAGE 12	BONNET ASSEMBLY	PAGE 37	ENGINE AND ACCESSORIES
PAGE 13	BONNET ASSEMBLY	PAGE 38	AIR CLEANER
PAGE 14	REAR CHASSIS	PAGE 39	EXHAUST
PAGE 15	REAR CHASSIS	PAGE 40	STEERING RAM
PAGE 16	ENGINE AND TRANSMISSION MOUNTS	PAGE 41	SLEW RAM
PAGE 17	ROPS FRAME AND REAR COVER	PAGE 42	TIP RAM
PAGE 18	HYDRAULIC TANK	PAGE 43	TIP RAM ROTA
PAGE 19	HYDRAULIC SCHEMATIC SK 9	PAGE 44	OIL COOLER
PAGE 20	HYDRAULIC SCHEMATIC SK 9	PAGE 45	BRAKES
PAGE 21	HYDRAULIC SCHEMATIC SK 9	PAGE 46	PARKING BREAK
PAGE 22	HYDRAULIC SCHEMATIC SK 10	PAGE 47	TOP LINK AND PINS
PAGE 23	HYDRAULIC SCHEMATIC SK 10	PAGE 48	LIGHTS OPTION
PAGE 24	HYDRAULIC CONTROL VALVES	PAGE 49	LIGHTS OPTION
PAGE 25	HYDRAULIC CONTROL VALVES ROTA		

SK10



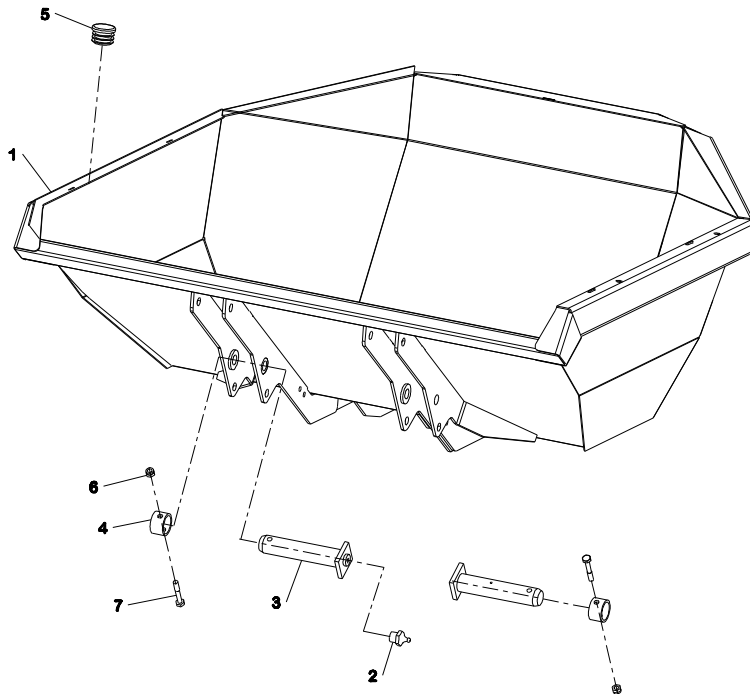
SKIP AND PINS

ITEM	PART NO.	DESCRIPTION	QTY	U/M
1	SX696120	SKIP SK10	1	EA
2	031P1	GREAS NIPPLE 1/8" BSPF	2	EA
3	SX696065A	TIP PIVOT PIN	2	EA
4	SX696077	COLLAR	2	EA
5	SX696111	PLUG PLASTIC	4	EA
6	W59S03	NUT NYLOC BZP	2	EA
7	W8S04J	BOLT	2	EA

SKR9

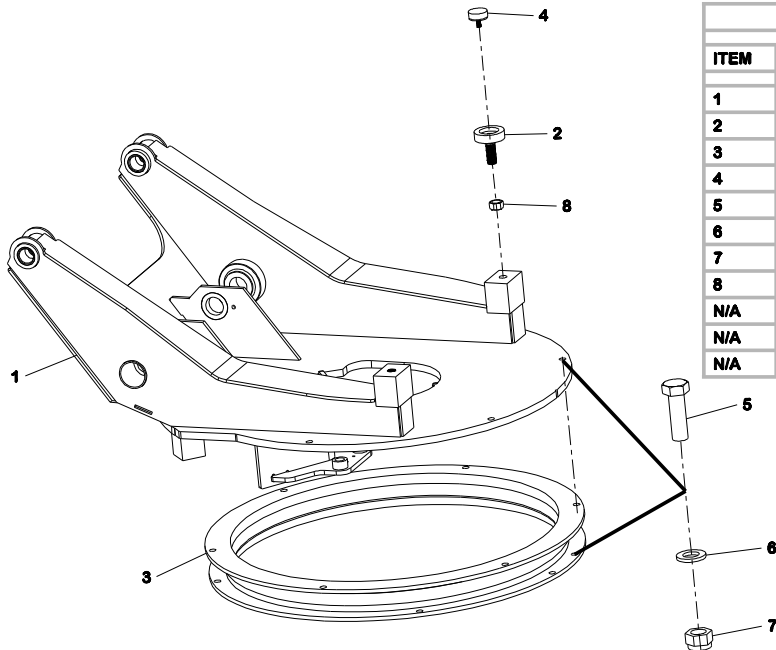


SKIP AND PINS ROTA



ITEM	PART NO.	DESCRIPTION	QTY	U/M
1	SX696114	SKIP SKR9	1	EA
2	031P1	GREAS NIPPLE 1/8" BSPF	2	EA
3	SX696065A	TIP PIVOT PIN	2	EA
4	SX696077	COLLAR	2	EA
5	SX696111	PLUG PLASTIC	4	EA
6	W59S03	NUT NYLOG BZP	2	EA
7	W8804J	BOLT	2	EA

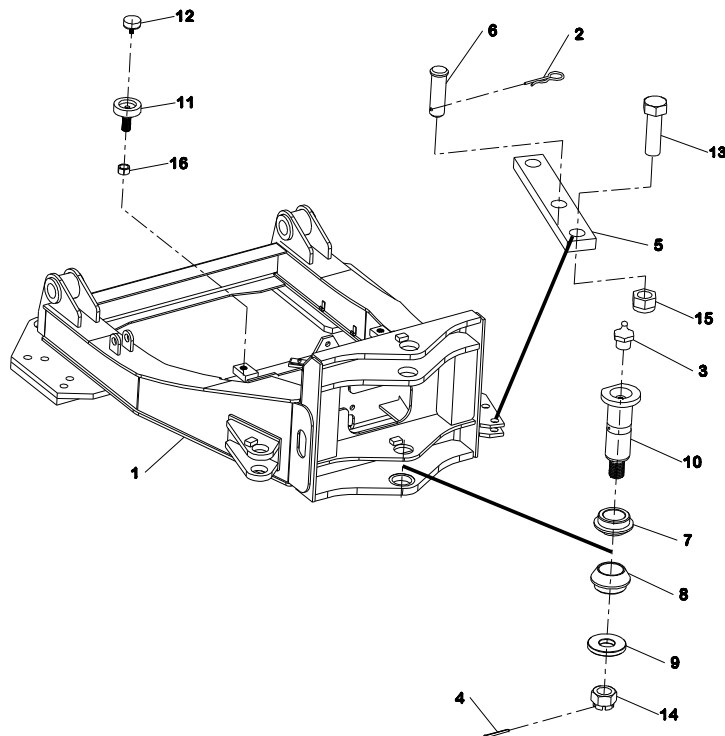
SKR9



TURNTABLE AND SLEW RING

ITEM	PART NO.	DESCRIPTION	QTY	U/M
1	SX696117A	TURNTABLE	1	EA
2	SX696014	SKIP STOP	2	EA
3	SX696100A	SLEWING RING	1	EA
4	SX696127	BUFFER	2	EA
5	W11S06H	SETSCREW	12	EA
6	W267S09	WASHER BZP	12	EA
7	W59S11	NUT NYLOC BZP	11	EA
8	W7S08	M10 NUT BZP	2	EA
N/A	SW682136	SHIM 0.25	AR	EA
N/A	SW682137	SHIM 0.40	AR	EA
N/A	SW682138	SHIM 1.22	AR	EA

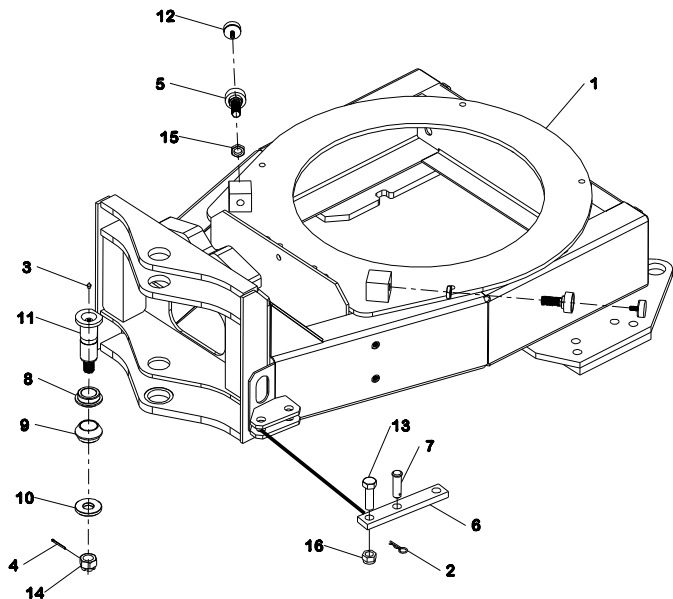
SK10



FRONT CHASSIS AND BOTTOM PIN

ITEM	PART NO.	DESCRIPTION	QTY	U/M
1	SX607069	FRONT FRAME 5-9T STR	1	EA
2	91510702	SPRING COTTER	1	EA
3	031P1	GREAS NIPPLE 1/8" BSPF	1	EA
4	335P6_2	SPLIT_PIN	1	EA
5	SX607003	LOCKING BAR	1	EA
6	SX607004	PIN	1	EA
7	SX609002	BUSH	1	EA
8	SX609005	BOTTOM BUSH	1	EA
9	SX609225	WASHER	1	EA
10	SX609242	BOTTOM PIN	1	EA
11	SX696097A	SKIP STOP	2	EA
12	SX696127	BUFFER	2	EA
13	W11508P	SETSCREW	1	EA
14	W228S12	CASTLE NUT	1	EA
15	W59S07	NUT NYLOC BZP	1	EA
16	W7S08	M10 NUT BZP	2	EA

SKR9



FRONT CHASSIS AND BOTTOM PIN ROTA

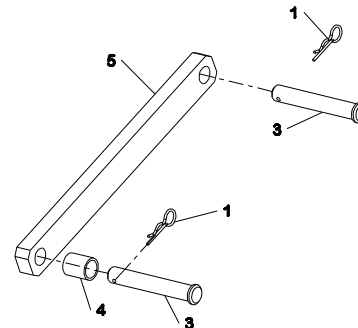
ITEM	PART NO.	DESCRIPTION	QTY	U/M
1	SX607072A	FRONT FRAME ROTA	1	EA
2	91510702	SPRING COTTER	1	EA
3	031P1	GREAS NIPPLE 1/8" BSPF	1	EA
4	335P6_2	SPLIT_PIN	1	EA
5	SX454004	SKIP STOP	2	EA
6	SX607003	LOCKING BAR	1	EA
7	SX607004	PIN	1	EA
8	SX609002	BUSH	1	EA
9	SX609005	BOTTOM BUSH	1	EA
10	SX609225	WASHER	1	EA
11	SX609242	BOTTOM PIN	1	EA
12	SX696127	BUFFER	2	EA
13	W11S08P	SETScrew	1	EA
14	W228S12	CASTLE NUT	1	EA
15	W56S08	LOCKNUT	2	EA
16	W59S07	NUT NYLOC BZP	1	EA

SK10

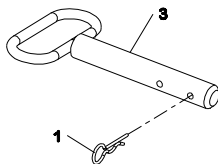


SKIP PROP AND LOCKING PINS

ITEM	PART NO.	DESCRIPTION	QTY	U/M
1	91510702	SPRING COTTER	2	EA
2	128M10	TEDDER WASHER	4	EA
3	SX807053	PIN SKIP PROP	2	EA
4	SX807055	SPACER	1	EA
5	SX898034	SKIP PROP	1	EA
6	SX898121	NAMEPLATE	1	EA
7	W11904A	SETScrew	4	EA

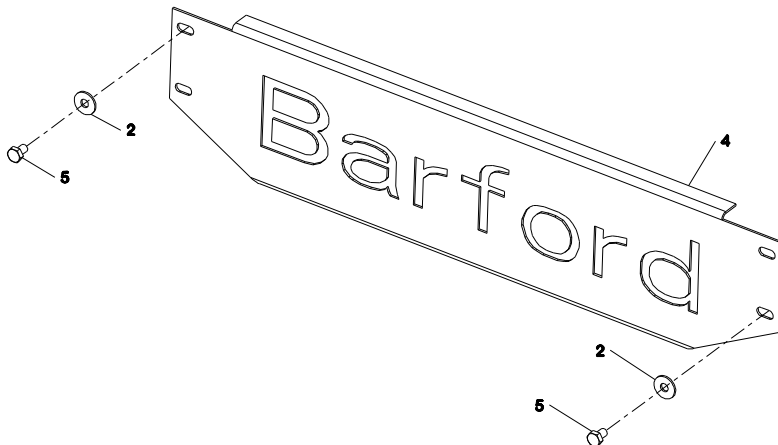


SKR9

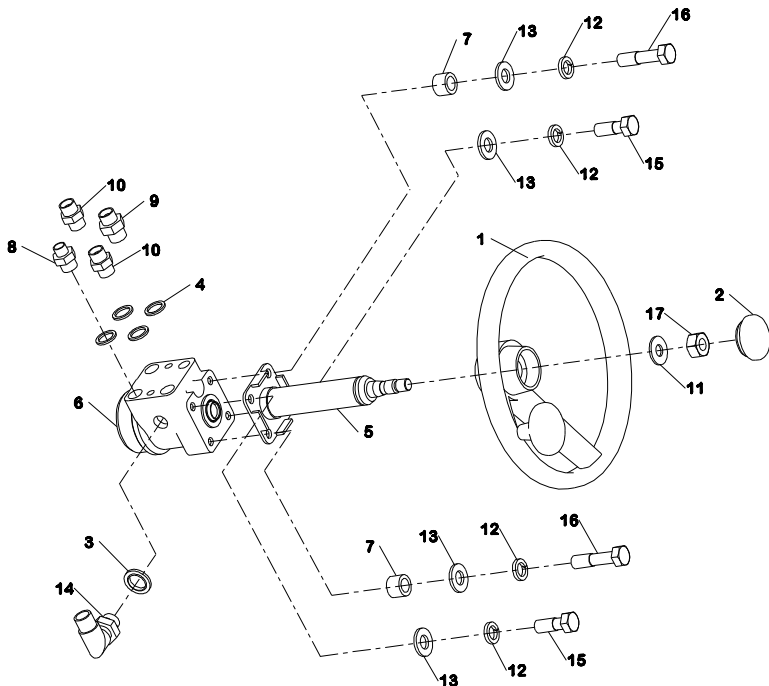


SKIP PROP AND LOCKING PINS ROTA

ITEM	PART NO.	DESCRIPTION	QTY	U/M
1	91510702	SPRING COTTER	1	EA
2	128M10	TEDDER WASHER	4	EA
3	SX696108	PIN PROP	1	EA
4	SX696121	NAMEPLATE	1	EA
5	W11S04A	SETSCREW	4	EA



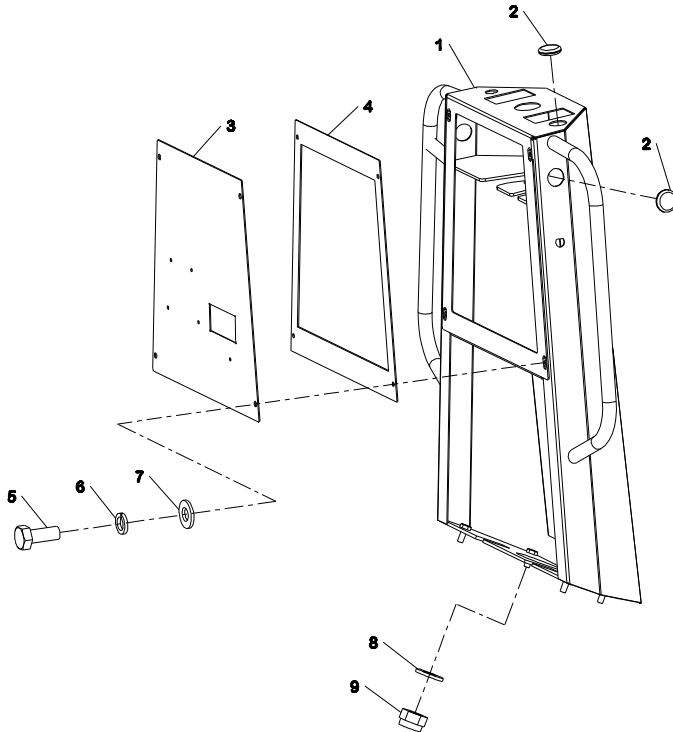
SKR9, SK10



STEERING ASSEMBLY

ITEM	PART NO.	DESCRIPTION	QTY	U/M
1	1006334A	STEERING WHEEL	1	EA
2	1006335B	CENETR CAP INVICTA	1	EA
3	330P2	BONDED SEAL	1	EA
4	330P4	BONDED SEAL	4	EA
5	SX688003	STEERING COLUMN	1	EA
6	SX688008	STEERING UNIT	1	EA
7	TR680183	SPACER	2	EA
8	W119S08	ADAPTER M-M 3/4" BSP	1	EA
9	W119S12	ADAPTER M-M 3/4" BSP	1	EA
10	W122S04	ADAPTER M-M 3/4" BSP	2	EA
11	W160S07	WASHER	1	EA
12	W17S05	WASHER SPRING	4	EA
13	W267S06	WASHER BZP	4	EA
14	W317S01	ELBOW 1/2" BSP	1	EA
15	W66S03A	SETSCREW	2	EA
16	W66S03D	SETSCREW	2	EA
17	W95S06	NUT	1	EA

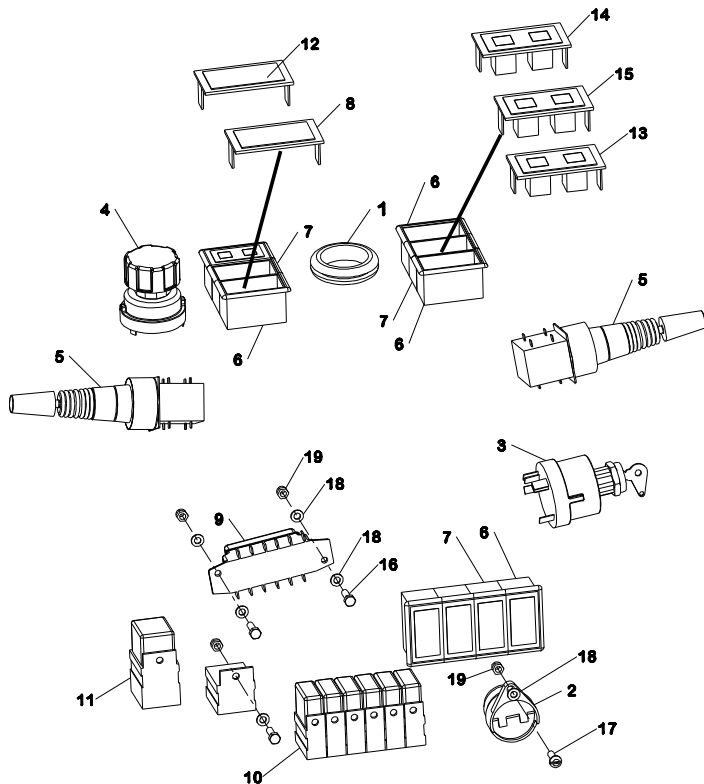
SKR9, SK10



PEDESTAL

ITEM	PART NO.	DESCRIPTION	QTY	U/M
1	SX609307	PEDESTAL	1	EA
2	181P13C	GROMMET	2	EA
3	SX609308	PANEL	1	EA
4	SX609309	GASKET	1	EA
5	W11S03B	SETSCREW	4	EA
6	W17S04	WASHER SPRING	4	EA
7	W267S05	WASHER BZP	4	EA
8	W267S06	WASHER BZP	4	EA
9	W59S03	NUT NYLOC BZP	4	EA

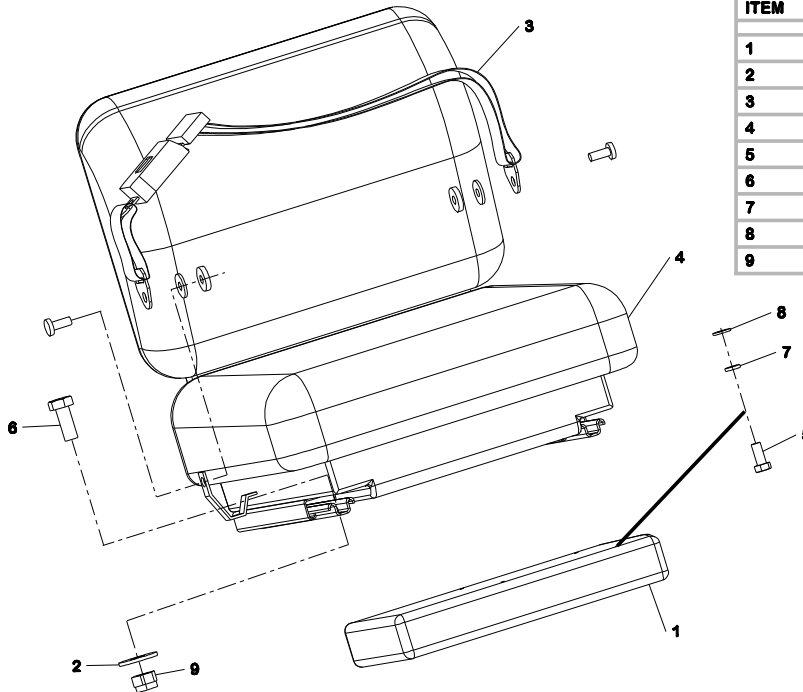
SK10, SKR9



PEDESTAL ELECTRICS

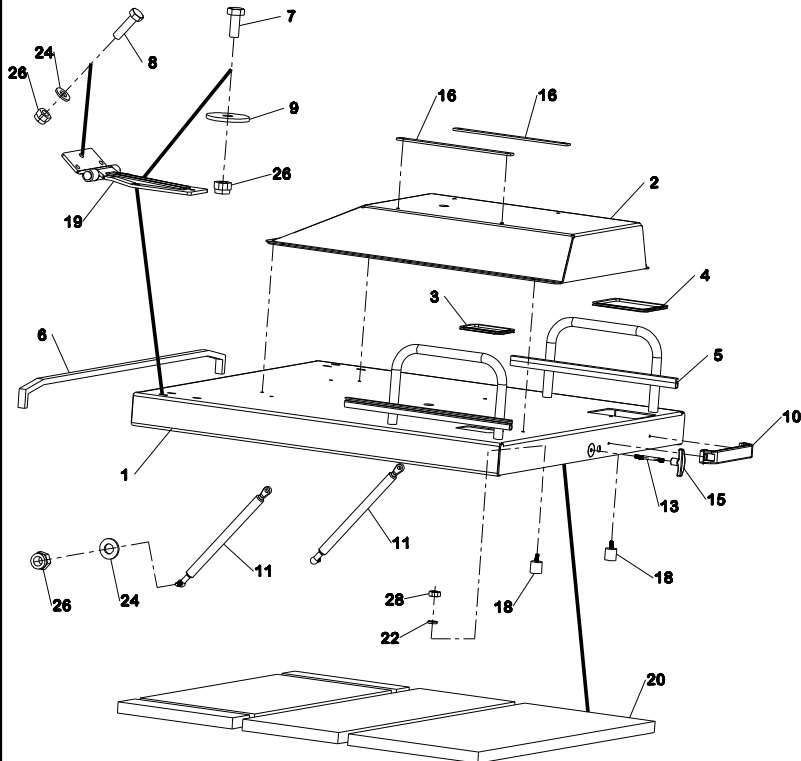
ITEM	PART NO.	DESCRIPTION	QTY	U/M
1	180P17F	GROMMET	1	EA
2	P262416-43	BUZZER	1	EA
3	P264112-39	KEYSWITCH	1	EA
4	P264112-40	ROTARY SWITCH	1	EA
5	P264116-19	SWITCH	2	EA
6	P264127-52	HOUSING END	6	EA
7	P264127-53	HOUSING CENTRE	4	EA
8	P264127-54	BLANK	6	EA
9	P264212-20	BASE	1	EA
10	P264511-67	5 PIN RELAY 12V 10/20A	6	EA
11	P26511-82	70A RELAY 12V DC (IN LOOM)	1	EA
12	P266114-111	WARNING FULL BEAM	1	EA
13	P266114-112	WARNING GBOX OIL PRESS & TEMP	1	EA
14	P266114-113	WARNING PARK BREAK/BATTERY	1	EA
15	P266114-114	WARNING OIL PRESS/ENG TEMP	1	EA
16	W118011AA	SETSCREW	4	EA
17	W16S06B	PANHEAD SCREW	1	EA
18	W267903	WASHER BZP	7	EA
19	W59S13	NUT NYLOC BZP	5	EA
N/A	P264131-41	25A CIRCUIT BREAKER	1	EA
N/A	P264131-42	15A CIRCUIT BREAKER	2	EA
N/A	P264131-43	10A CIRCUIT BREAKER	1	EA
N/A	P264131-44	8A CIRCUIT BREAKER	2	EA
N/A	8X715108	LOOM PEDESTAL	1	EA

SKR9, SK10



SEAT				
ITEM	PART NO.	DESCRIPTION	QTY	U/M
1	1006519	DOC BOX	1	EA
2	128M8	TEDDER WASHER	4	EA
3	SX413020	SEAT BELT	1	EA
4	SX891015	SEAT	1	EA
5	W11S01AA	SETSCREW	4	EA
6	W11S03B	SETSCREW	4	EA
7	W17S02	WASHER SPRING	4	EA
8	W267S03	WASHER BZP	4	EA
9	W59S12	NUT NYLOC BZP	4	EA

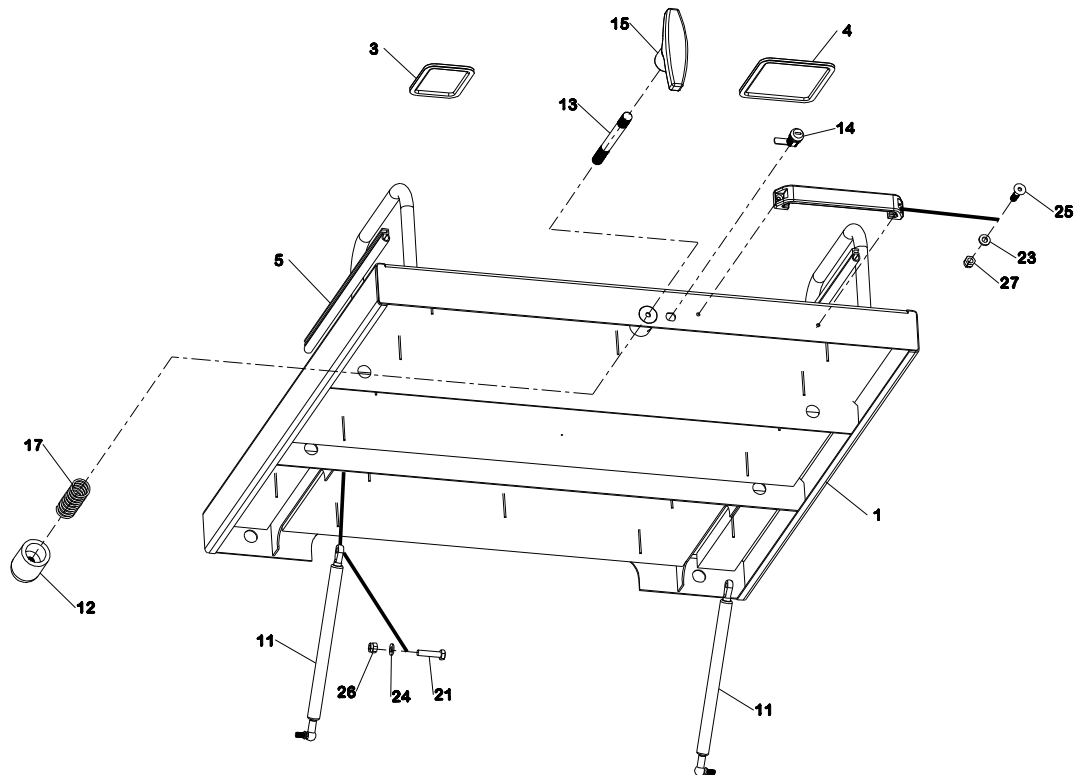
SKR9, SK10



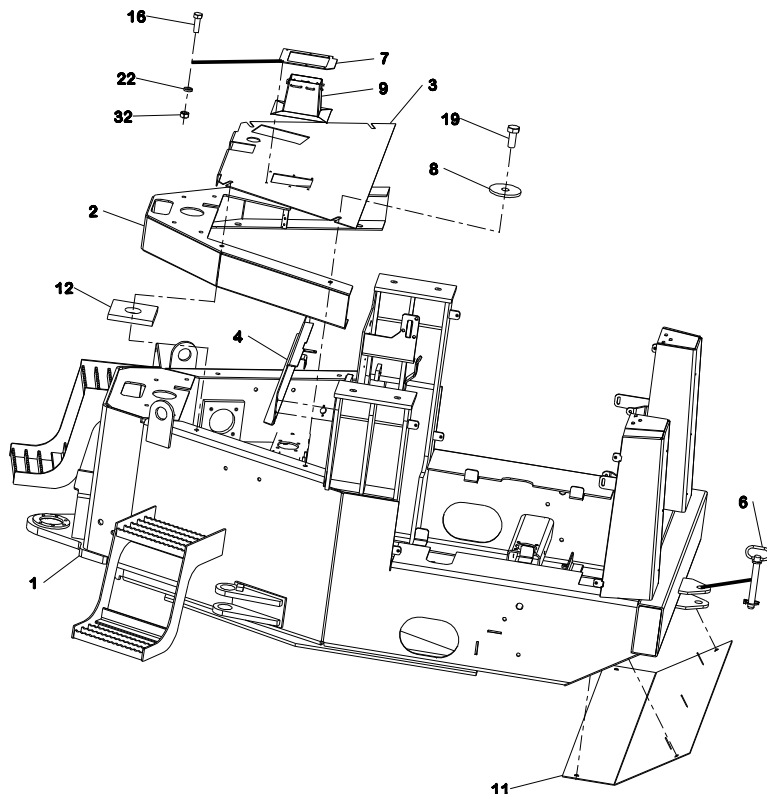
BONNET ASSEMBLY

ITEM	PART NO.	DESCRIPTION	QTY	U/M
1	SX609290	BONNET	1	EA
2	SX609289	SEAT BLISTER	1	EA
3	172-103-01_BM02	SEAL 400MM	1	EA
4	172-103-01_BM04	SEAL 600MM	1	EA
5	172-103-09_BM01	SEAL 985MM	2	EA
6	172-144-01_BM01	SEAL 2000MM	1	EA
7	91120505	SETSCREW	6	EA
8	91120506	SETSCREW	6	EA
9	91621036	WASHER TEDDER	6	EA
10	SW809681	HANDLE	1	EA
11	SX609033	GAS SPRING	2	EA
12	SX609227	LOCK PLUNGER	1	EA
13	SX609228	LOCK ROD	1	EA
14	SX609230	LOCK	1	EA
15	SX609232	KNOB	1	EA
16	SX609275	PACKER	2	EA
17	SX609286	SPRING	1	EA
18	SX609310	BUFFER	2	EA
19	SX609317	HINGE	2	EA
20	SX731037	INSULATION KIT	1	EA
21	W11S03E	SETSCREW	2	EA
22	W17S04	WASHER SPRING	2	EA
23	W267S04	WASHER BZP	2	EA
24	W267S05	WASHER BZP	10	EA
25	W52S02E	SCREW CSK	2	EA
26	W59S12	NUT NYLOC BZP	16	EA
27	W59S14	NUT NYLOC BZP	2	EA
28	W7S03	M10 NUT BZP	2	EA
N/A	SX731036	SPIDERFIX	20	EA

SKR9, SK10



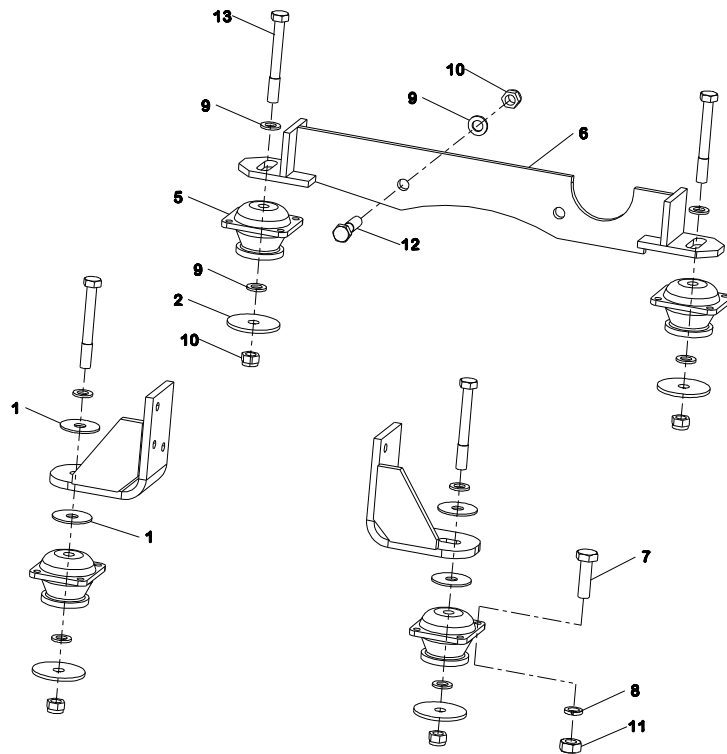
SKR9, SK10



REAR CHASIS

ITEM	PART NO.	DESCRIPTION	QTY	U/M
1	SX607079A	REAR FRAME	1	EA
2	SX607080	FLOOR PLINTH	1	EA
3	SX609257	FLOOR PLATE	1	EA
4	SX609294A	BULKHEAD	1	EA
5	SX607081	STEP FAB	1	EA
6	36042	PIN DRAWBAR	1	EA
7	1009341	PLATE	1	EA
8	91621036	WASHER TEDDER	12	EA
9	SW691146	GAITER	1	EA
10	SX607075	HINGE	2	EA
11	SX607082	SUMP PLATE	1	EA
12	SX609134	CLAMP PLATE	4	EA
13	SX609233	CATCH	1	EA
14	SX609295	SIDE PLATE RH	1	EA
15	SX609296	SIDE PLATE LH	1	EA
16	W11S01A	SETScrew	6	EA
17	W11S02B	SETScrew	4	EA
18	W11S02F	SETScrew	4	EA
19	W11S03B	SETScrew	12	EA
20	W11S03C	SETScrew	4	EA
21	W11S05D	SETScrew	3	EA
22	W17S02	WASHER SPRING	6	EA
23	W17S03	WASHER SPRING	4	EA
24	W17S04	WASHER SPRING	8	EA
25	W17S06	WASHER SPRING	3	EA
26	W267S04	WASHER BZP	12	EA
27	W267S05	WASHER BZP	8	EA
28	W267S07	WASHER BZP	3	EA

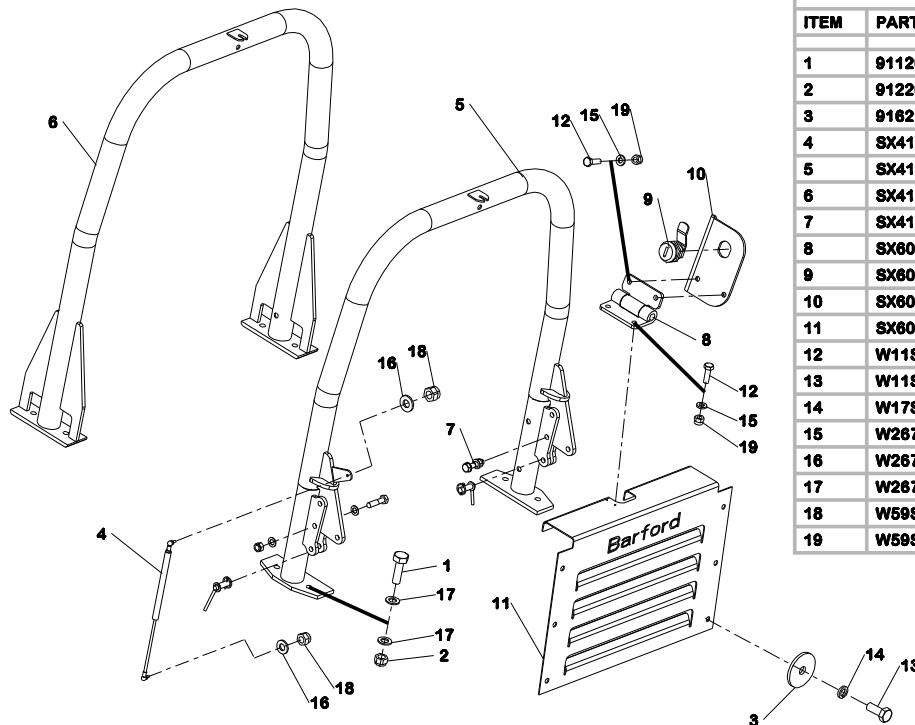
SKR9, SK10



ENGINE AND TRANSMISSION MOUNTS

ITEM	PART NO.	DESCRIPTION	QTY	U/M
1	SX621053	WASHER	4	EA
2	SX621068	WASHER REBOUND	4	EA
3	SX621185A	ENGINE BRACKET	1	EA
4	SX621186A	ENGINE BRACKET	1	EA
5	SX621197	MOUNTING BLUE	4	EA
6	SX628074A	GEARBOX SUPPORT	1	EA
7	W11S04E	SETSCREW	16	EA
8	W17S05	WASHER SPRING	16	EA
9	W287S09	WASHER BZP	10	EA
10	W59S11	NUT NYLOC BZP	6	EA
11	W7S04	M10 NUT BZP	16	EA
12	W8S06J	BOLT	2	EA
13	W8S06S	BOLT	4	EA

SKR9, SK10



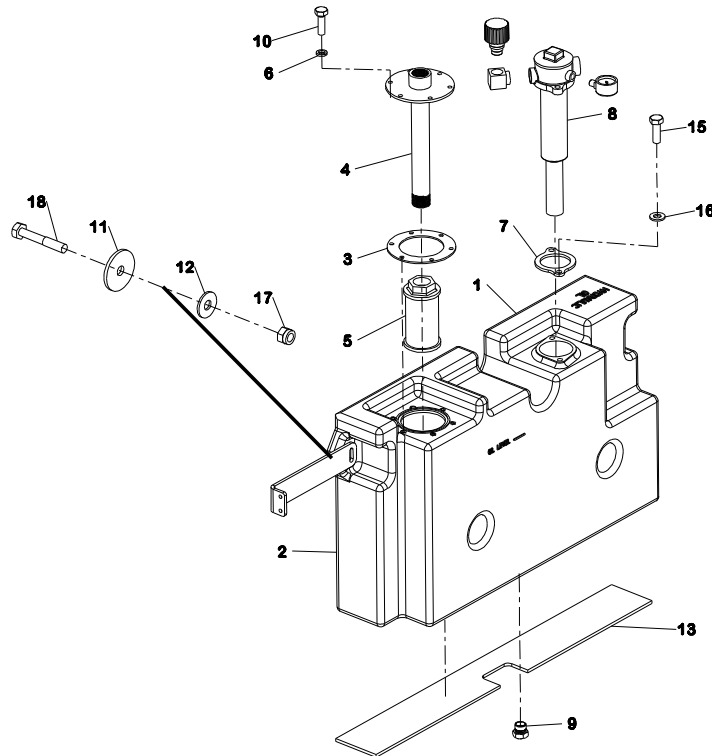
FOLDING ROPS FRAME AND REAR COVER

ITEM	PART NO.	DESCRIPTION	QTY	U/M
1	91120609	BOLT	4	EA
2	91220153	NUT NYLOC	4	EA
3	91621036	WASHER TEDDER	6	EA
4	SX413036	GAS STRUT	1	EA
5	SX413056	ROPS 9-10T FOLDING	1	EA
6	SX413057	ROPS 9-10T	1	EA
7	SX413065	ROPS BOLT KIT (9-10T)	1	EA
8	SX607075	HINGE	1	EA
9	SX608193	LOCK	1	EA
10	SX609298	RAD FILLER COVER	1	EA
11	SX609304	REAR GRILLE	1	EA
12	W11S02B	SETSCREW	4	EA
13	W11S03B	SETSCREW	6	EA
14	W17S04	WASHER SPRING	6	EA
15	W267S04	WASHER BZP	4	EA
16	W267S05	WASHER BZP	2	EA
17	W267S10	WASHER BZP	8	EA
18	W59S12	NUT NYLOC BZP	2	EA
19	W59S14	NUT NYLOC BZP	4	EA

SKR9, SK10



HYDRAULIC TANK

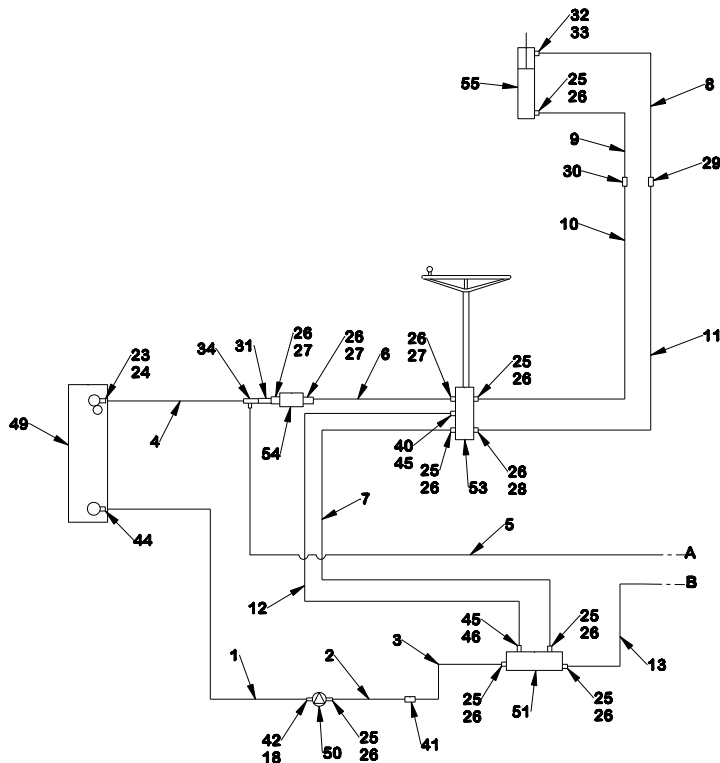


ITEM	PART NO.	DESCRIPTION	QTY	U/M
1	SX7050-3	HYD TANK ASSY (ITEMS 2-10)	1	EA
2	SX705089A	HYD TANK	1	EA
3	SX705121	STANDPIPE GASKET	1	EA
4	SX705104	STAND PIPE SUCTION	1	EA
5	SX705100	SUCTION FILTER	1	EA
6	W17S03	WASHER SPRING	6	EA
7	SX705155	GASKET	1	EA
8	SX705185	RETURN FILTER	1	EA
9	W127S04	PLUG BLANKING	1	EA
10	W8S02GG	BOLT	6	EA
11	91621036	WASHER TEDDER	2	EA
12	128M8	TEDDER WASHER	2	EA
13	SX705166	RUBBER PAD	1	EA
14	SX705203	TANK BRACKET	1	EA
15	W11S03C	SETSCREW	2	EA
16	W267S05	WASHER BZP	2	EA
17	W59S12	NUT NYLOC BZP	2	EA
18	W8S03F	BOLT	2	EA

SKR9

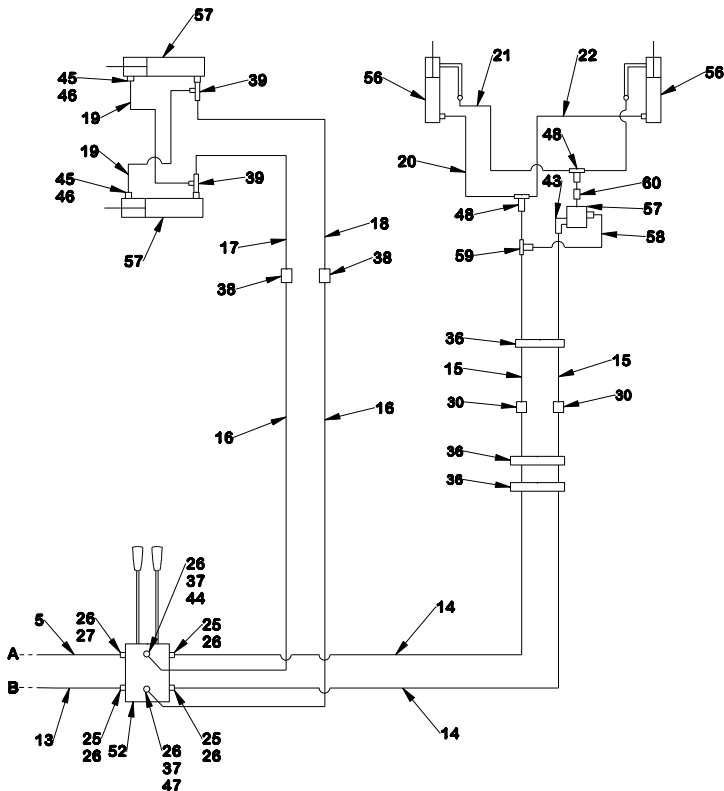


HYDRAULIC SCHEMATICS



ITEM	PART NO.	DESCRIPTION	QTY	U/M
1	9442 2281A	HOSE	1	EA
2	9442 2247	HOSE	1	EA
3	9442 2173	HOSE	1	EA
4	9442 2192	HOSE	1	EA
5	9442 2123A	HOSE	1	EA
6	9442 2130A	HOSE	1	EA
7	9442 2121A	HOSE	1	EA
8	9442 2128B	HOSE	1	EA
9	9442 2129A	HOSE	1	EA
10	9442 2127A	HOSE	1	EA
11	9442 2126A	HOSE	1	EA
12	9442 2120A	HOSE	1	EA
13	9442 2122	HOSE	1	EA
14	9442 2143	HOSE	2	EA
15	9442 2141	HOSE	2	EA
16	9442 2132	HOSE	2	EA
17	9442 2133	HOSE	1	EA
18	9442 2134	HOSE	1	EA
19	9442 2135	HOSE	2	EA
20	9442 2142B	HOSE	2	EA
21	9442 2139	HOSE	1	EA
22	W122S04	HOSE	1	EA
23	330P4	CONN 3/4 X 5/8	1	EA
24	W119S12	BONDED SEAL	1	EA
25	W119S08	CONN 1/2 X 1/2	10	EA
26	330P4	BONDED SEAL	18	EA

SKR9



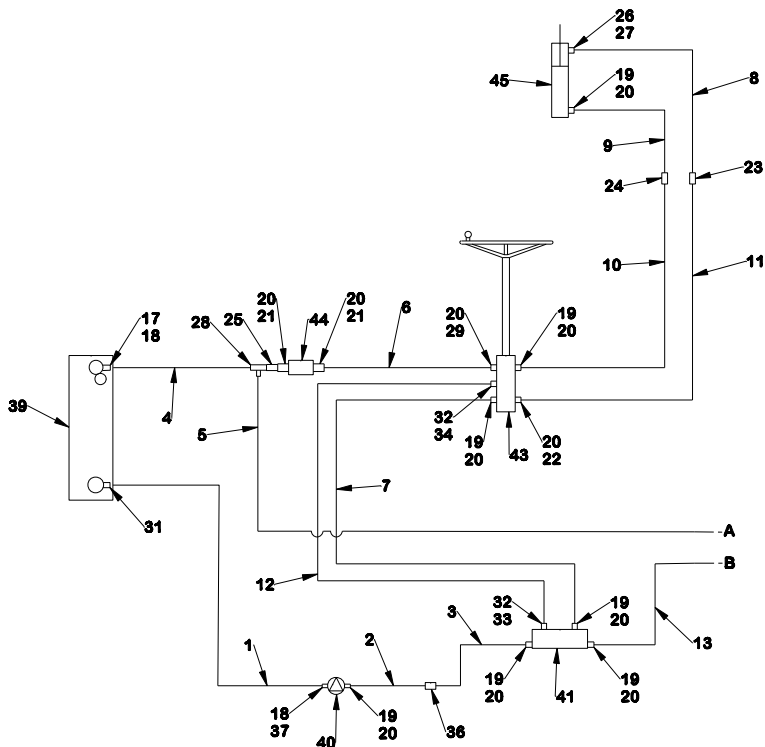
ITEM	PART NO.	DESCRIPTION	QTY	U/M
27	W119S12	CONN 1/2 X 5/8	3	EA
28	W119S08	CONN 1/2 X 3/8	1	EA
29	W93S01	BULKHEAD 3/8	1	EA
30	W93S02	BULKHEAD 1/2	3	EA
31	W93S05	BULKHEAD 5/8	1	EA
32	W122S03	CONN 3/5 X 3/8	3	EA
33	330P3	BONDED SEAL	3	EA
34	W154S04	TEE	1	EA
35	43317203	CLAMP	3	EA
36	43117220	CLAMP	3	EA
37	W119S04	CONN 1/2 X 1/4	2	EA
38	W93S03	BULKHEAD 1/4	2	EA
39	W118S01	TEE 1/4	2	EA
40	W317S01	ELBOW	1	EA
41	SX705190	TEST POINT	1	EA
42	W119S16	CONN	1	EA
43	W317S03	ELBOW	1	EA
44	W317S06	ELBOW	1	EA
45	330P8	BONDED SEAL	1	EA
46	W188S02	CONN 1/4 X 1/4	1	EA
47	SX705023	RESTRICTOR	1	EA
48	W121S05	TEE	1	EA
49	SX7050/3A	HYD TANK	1	EA
50	SX705197	PUMP	1	EA
51	SX705225	PRIORITY VALVE	1	EA
52	SX705072	CONTROL VALVE	2	EA

SKR9



ITEM	PART NO.	DESCRIPTION	QTY	U/M
53	SX705224	STEERING UNIT	1	EA
54	SX705086A	CHECK VALVE	1	EA
55	SX7060/17	STEERING RAM	1	EA
56	SX7070/21	TIP RAM	2	EA
57	SX705185	O/CENTRE VALVE	1	EA
58	94422279	HOSE	1	EA
59	W154S24	TEE	1	EA
60	W112S01	ADAPTOR	1	EA

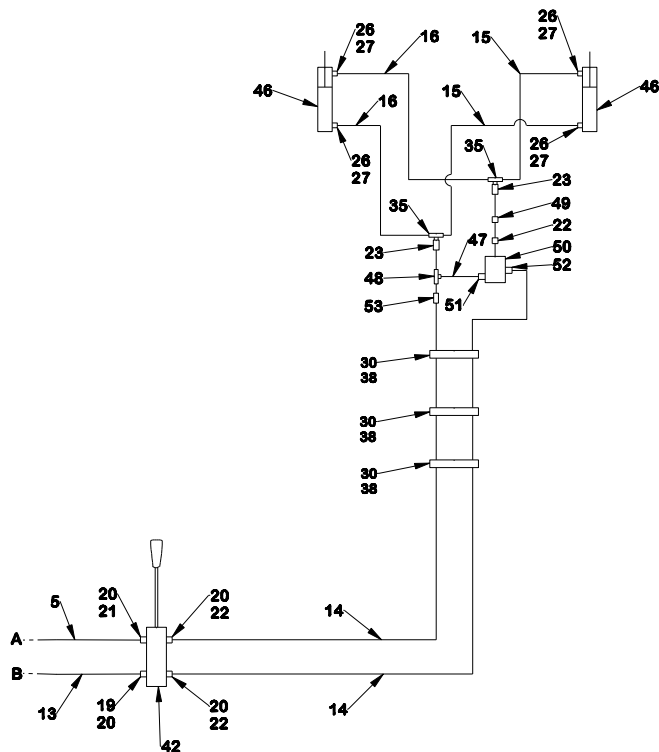
SK10



HYDRAULIC SCHEMATICS

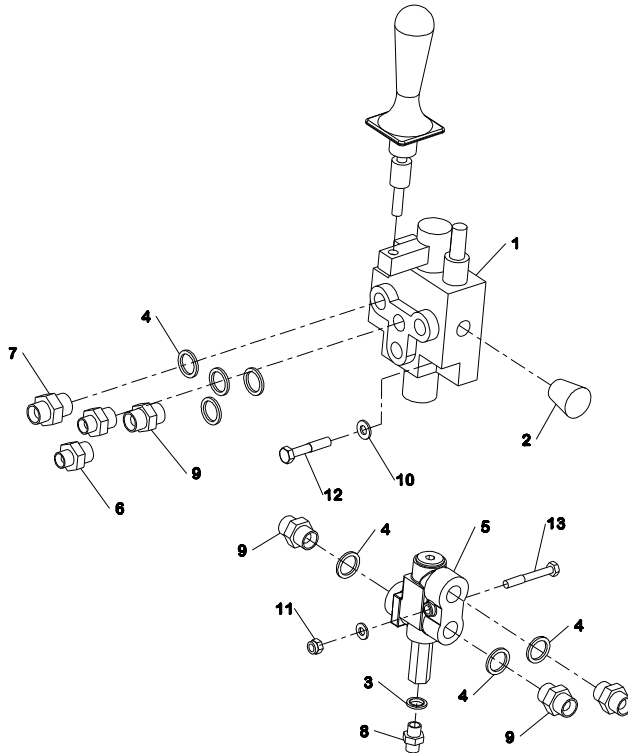
ITEM	PART NO.	DESCRIPTION	QTY	U/M
1	9442 2281A	HOSE	1 OFF	EA
2	9442 2247	HOSE	1 OFF	EA
3	9442 2173	HOSE	1	EA
4	9442 2192	HOSE	1	EA
5	9442 2123A	HOSE	1	EA
6	9442 2130A	HOSE	1	EA
7	9442 2121A	HOSE	1	EA
8	9442 2128B	HOSE	1	EA
9	9442 2129A	HOSE	1	EA
10	9442 2127A	HOSE	1	EA
11	9442 2126A	HOSE	1	EA
12	9442 2120A	HOSE	1	EA
13	9442 2122	HOSE	1	EA
14	9442 2124A	HOSE	2	EA
15	9442 2125	HOSE	2	EA
16	9442 2145	HOSE	2	EA
17	W119S15	CONN 3/4 X 5/8	1	EA
18	330P6	BONDED SEAL	3	EA
19	W122S04	CONN 1/2 X 3/2	8	EA
20	330P4	BOND SEAL	15	EA
21	W119S12	CONN 1/2 X 5/8	3	EA
22	W119S08	CONN 1/2 X 3/8	4	EA
23	W93S08	BULKHEAD 3/8	3	EA
24	W93S2	BULKHEAD 1/2	1	EA
25	W93S05	BULKHEAD 5/8	1	EA
26	W122S03	3/8 X 3/8 CONN	5	EA
27	330P3	BONDED SEAL	5	EA

SK10



ITEM	PART NO.	DESCRIPTION	QTY	U/M
28	W154S04	TEE	1	EA
29	W122S17	CONN 1/2 X 5/8	1	EA
30	431M220	CLAMP	3	EA
31	W317S08	ELBOW	1	EA
32	330P2	BONDED SEAL	2	EA
33	W122S02	CONN 1/4 X 1/4	1	EA
34	W317S01	ELBOW	1	EA
35	W154S09	TEE	2	EA
36	SX705190	TEST POINT	1	EA
37	W119S16	CONN	1	EA
38	433M203	CLAMP	3	EA
39	SX7050/3A	HYD TANK	1	EA
40	SX705197	PUMP	1	EA
41	SX705225	PRIORITY VALVE	1	EA
42	SX705071	TIP VALVE	1	EA
43	SX688008	STEERING UNIT	1	EA
44	SX705086A	CHECK VALVE	1	EA
45	SX7060/17	STEER RAM	1	EA
46	SX7070/21	TIP RAM	2	EA
47	94422276	HOSE	1	EA
48	W154S25	TEE	1	EA
49	W317S04	3/8 ELBOW	1	EA
50	SX705185	O/CENTRE VALVE	1	EA
51	W317S01	1/4 ELBOW	1	EA
52	W317S12	1/2 ELBOW	1	EA
53	W317S02	3/8 ELBOW	1	EA

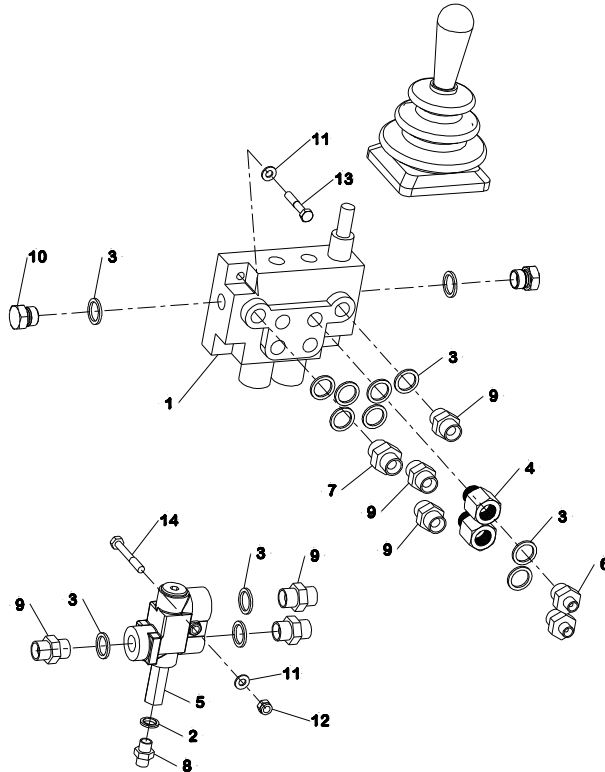
SK10



HYRAULIC CONTROL VALVES

ITEM	PART NO.	DESCRIPTION	QTY	U/M
1	SX705201	T/VALVE JOYSTICK SINGLE	1	EA
2	197P4	PLUG	2	EA
3	330P2	BONDED SEAL	1	EA
4	330P4	BONDED SEAL	7	EA
5	SX705087	PRIORITY VALVE	1	EA
6	W119S08	ADAPTER M-M 3/4" BSP	2	EA
7	W119S12	ADAPTER M-M 3/4" BSP	1	EA
8	W122S02	ADAPTER M-M 3/4" BSP	1	EA
9	W122S04	ADAPTER M-M 3/4" BSP	4	EA
10	W267S05	WASHER BZP	4	EA
11	W59S12	NUT NYLOC BZP	1	EA
12	W8S03E	BOLT	3	EA
13	W8S03H	BOLT	1	EA

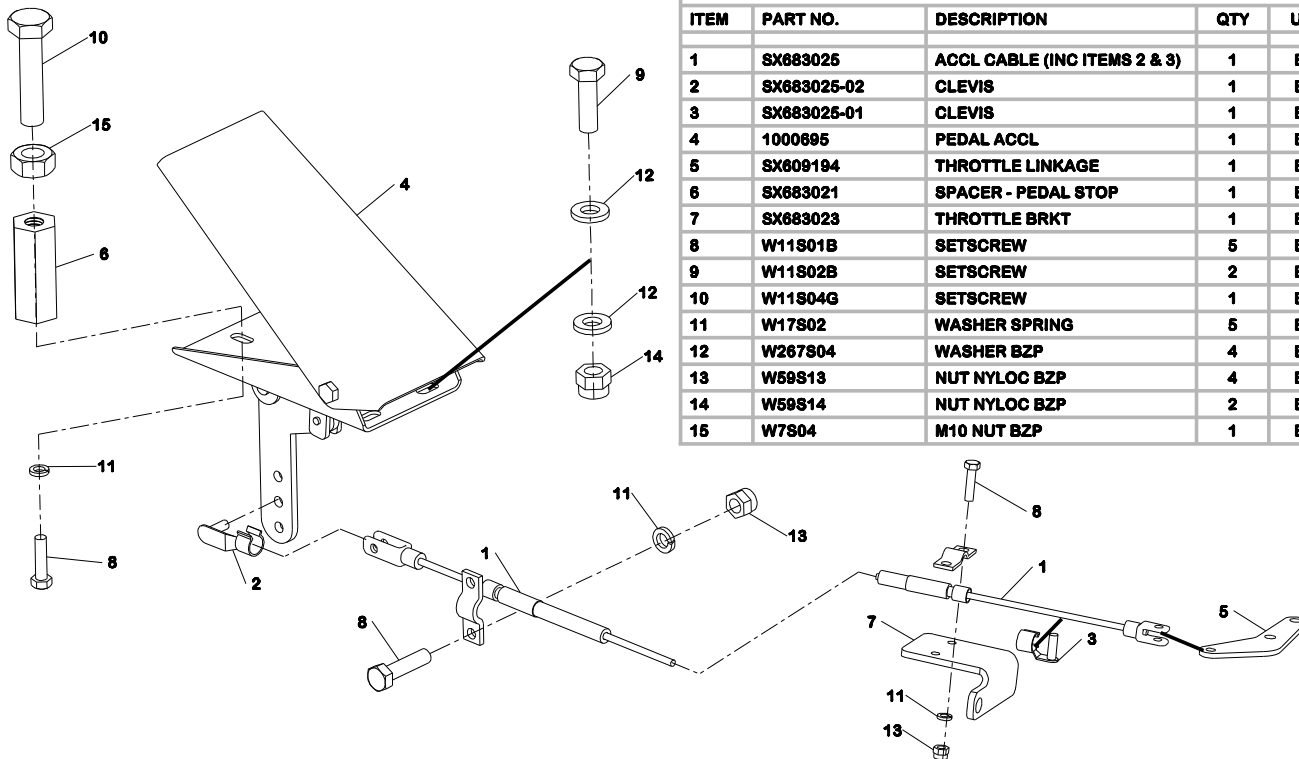
SKR9



HYRAULIC CONTROL VALVES

ITEM	PART NO.	DESCRIPTION	QTY	U/M
1	SX705189	T/VALVE JOYSTICK ROTA	1	EA
2	330P2	BONDED SEAL	1	EA
3	330P4	BONDED SEAL	13	EA
4	SX705023	RESTRICTOR ADAPTER	2	EA
5	SX705087	PRIORITY VALVE	1	EA
6	W119S04	ADAPTER M-M 3/4" BSP	2	EA
7	W119S12	ADAPTER M-M 3/4" BSP	1	EA
8	W122S02	ADAPTER M-M 3/4" BSP	1	EA
9	W122S04	ADAPTER M-M 3/4" BSP	6	EA
10	W127S04	PLUG BLANKING	2	EA
11	W267S05	WASHER BZP	4	EA
12	W59S12	NUT NYLOC BZP	1	EA
13	W8S03E	BOLT	3	EA
14	W8S03H	BOLT	1	EA

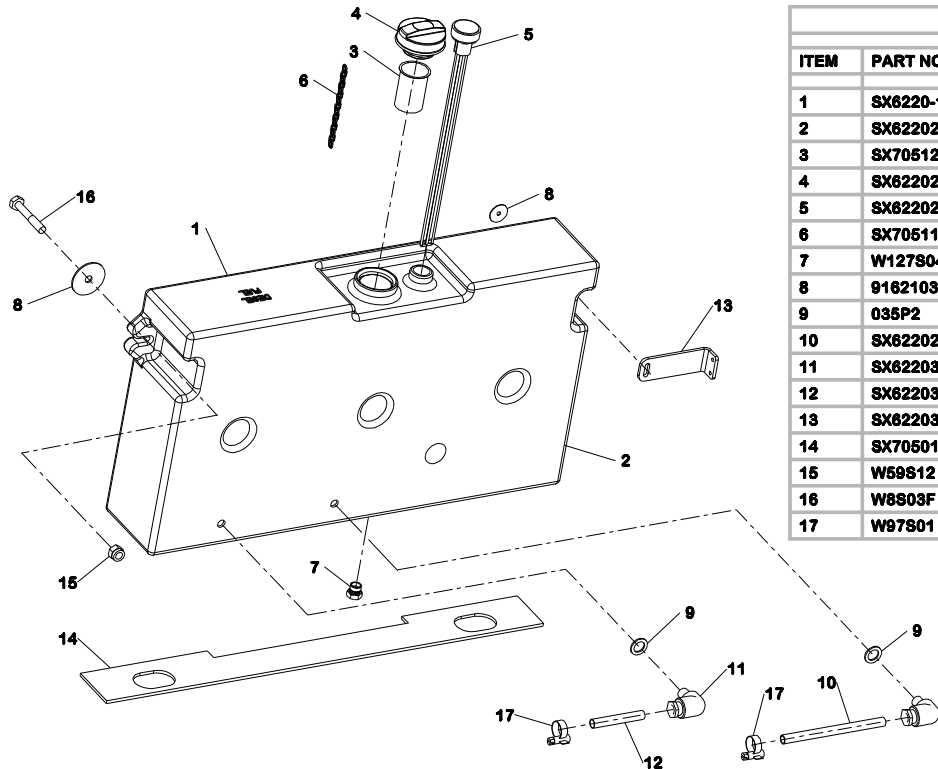
SKR9, SK10



THROTTLE ASSEMBLY

ITEM	PART NO.	DESCRIPTION	QTY	U/M
1	SX683025	ACCL CABLE (INC ITEMS 2 & 3)	1	EA
2	SX683025-02	CLEVIS	1	EA
3	SX683025-01	CLEVIS	1	EA
4	1000695	PEDAL ACCL	1	EA
5	SX609194	THROTTLE LINKAGE	1	EA
6	SX683021	SPACER - PEDAL STOP	1	EA
7	SX683023	THROTTLE BRKT	1	EA
8	W11301B	SETSCREW	5	EA
9	W11302B	SETSCREW	2	EA
10	W11304G	SETSCREW	1	EA
11	W17302	WASHER SPRING	5	EA
12	W267804	WASHER BZP	4	EA
13	W59313	NUT NYLOC BZP	4	EA
14	W59314	NUT NYLOC BZP	2	EA
15	W7804	M10 NUT BZP	1	EA

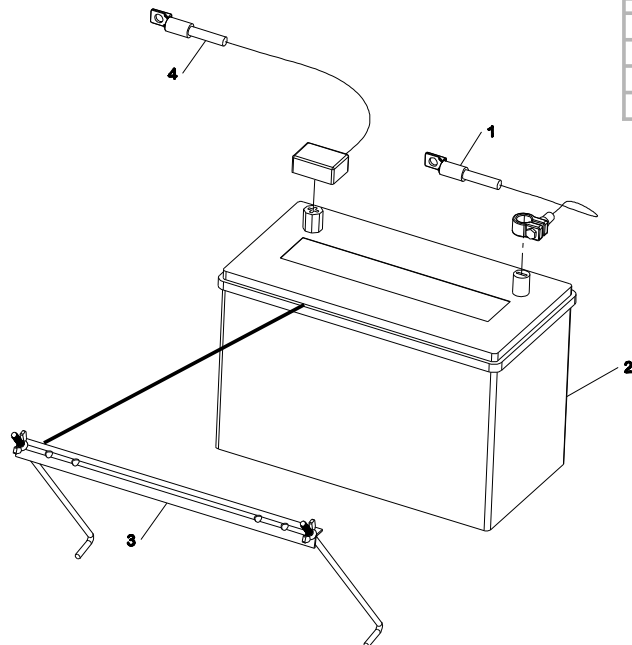
SKR9, SK10



FUEL TANK ASSEMBLY

ITEM	PART NO.	DESCRIPTION	QTY	U/M
1	SX6220-1B	TANK 5-9T ASS (ITEMS 2-7)	1	EA
2	SX622022A	FUEL TANK 5-9T	1	EA
3	SX705120	STRAINER BASKET	1	EA
4	SX622026	FILLER CAP	1	EA
5	SX622025	GAUGE LEVEL	1	EA
6	SX705117	CHAIN	1	EA
7	W127904	PLUG BLANKING	1	EA
8	91621034	WASHER	2	EA
9	035P2	FIBER WASHER	2	EA
10	SX622028	PIPE	1	EA
11	SX622034	ELBOW	2	EA
12	SX622035	PIPE	1	EA
13	SX622039	TANK BRACKET	1	EA
14	SX705014A	RUBBER PAD	1	EA
15	W59812	NUT NYLOC BZP	2	EA
16	W8803F	BOLT	2	EA
17	W97801	HOSE CLIP	2	EA

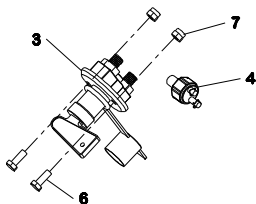
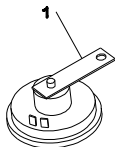
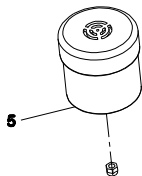
SK9, SK10



BATTERY AND FIXINGS

ITEM	PART NO.	DESCRIPTION	QTY	U/M
1	1006885	CBL BATTERY EARTH LEAD	1	EA
2	P67721-36	BATTERY	1	EA
3	SX716005	BATTERY CLAMP	1	EA
4	SX715080	CBL BATTERY EARTH LEAD	1	EA

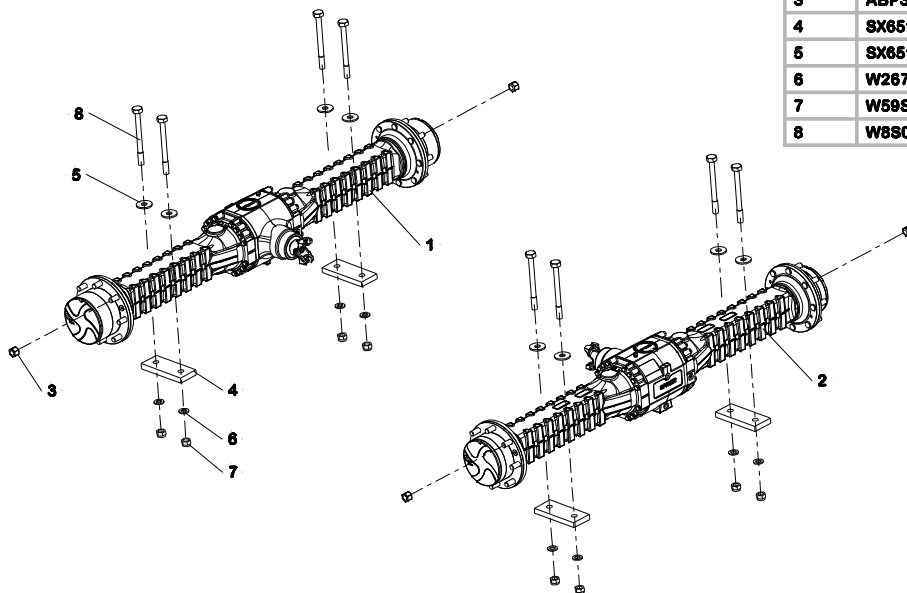
SKR9, SK10



ELECTRICAL GENERAL

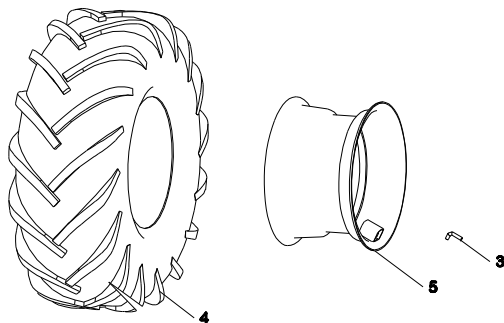
ITEM	PART NO.	DESCRIPTION	QTY	U/M
1	92513A	HORN	1	EA
2	P282175-12	HOURS METER	1	EA
3	P284115-26	BATTERY ISOLATOR	1	EA
4	P284125-76	PRESSURE SWITCH	1	EA
5	SX715012	REVERSE BLEEPER	1	EA
6	W11802A	SETSCREW	2	EA
7	W59814	NUT NYLOC BZP	3	EA
N/A	SX715109	LOOM CHASSIS	1	EA

SKR9, SK10



AXLES				
ITEM	PART NO.	DESCRIPTION	QTY	U/M
1	SX651028	AXLE FRONT	1	EA
2	SX651029	AXLE REAR	1	EA
3	ABP3006030	NUT	32	EA
4	SX651016	LOCKING PLATE	4	EA
5	SX651024A	WASHER	8	EA
6	W267S12	WASHER BZP	8	EA
7	W59S07	NUT NYLOC BZP	8	EA
8	W8S08AA	BOLT	8	EA

SKR9, SK10

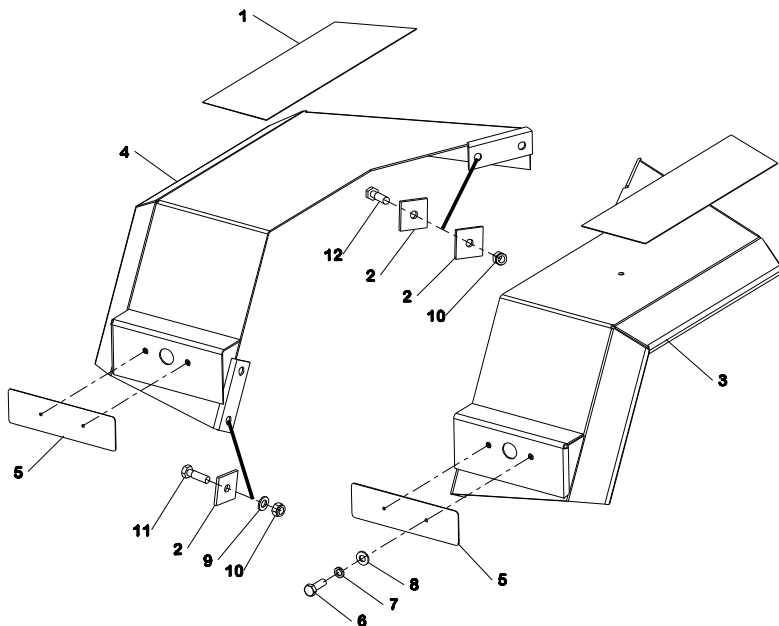


**FOR NON STANDARD WHEELS AND TYRES
PLEASE CONTACT YOUR DEALER QUOTING
YOUR MACHINE SERIAL NUMBER**

WHEELS AND TYRES

ITEM	PART NO.	DESCRIPTION	QTY	U/M
1	SX6750/78	TYRE ASSY. RH (ITEMS 3-5)	2	EA
2	SX6750/77	TYRE ASSY. LH (ITEMS 3-5)	2	EA
3	SX675063	VALVE	4	EA
4	SX675052	TYRE 500/80-22.5 12PR T421	4	EA
5	SX675067	RIM 16.00 X 22.5	4	EA

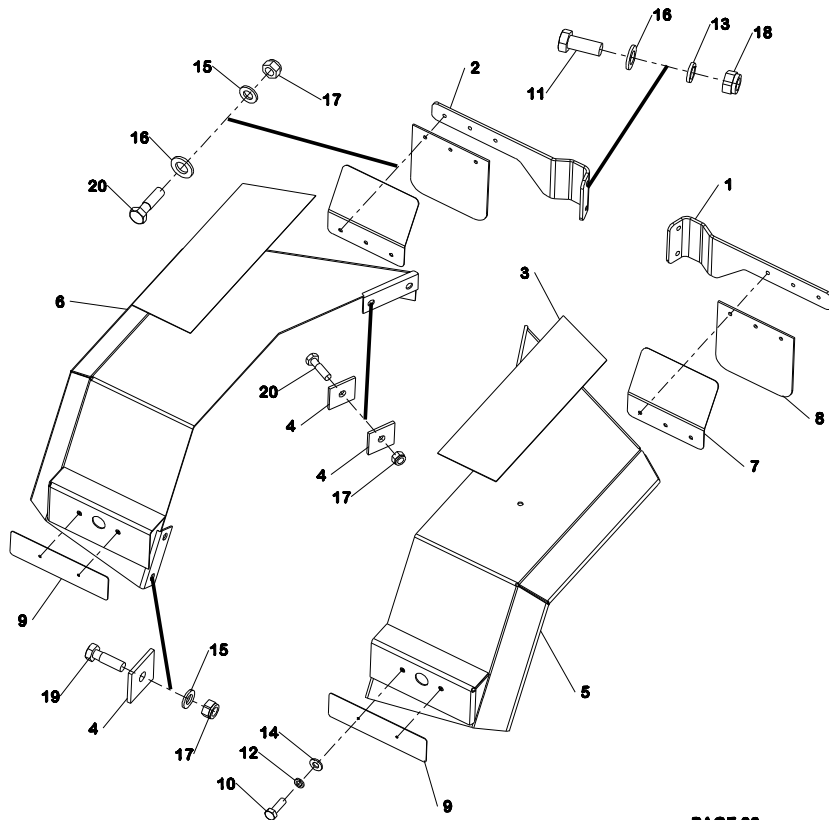
SK10



MUD GUARDS ROTA

ITEM	PART NO.	DESCRIPTION	QTY	U/M
1	181-201-01_02	SAFETY WALK 900MM	2	EA
2	SX609143	WASHER	12	EA
3	SX609255	WING RH	1	EA
4	SX609256	WING LH	1	EA
5	SX609299	BLANKING PLATE	2	EA
6	W11S03C	SETScrew	4	EA
7	W17S04	WASHER SPRING	4	EA
8	W267S05	WASHER BZP	4	EA
9	W267S07	WASHER BZP	4	EA
10	W59S04	NUT NYLOC BZP	8	EA
11	W8S05D	BOLT	4	EA
12	W8S05E	BOLT	4	EA

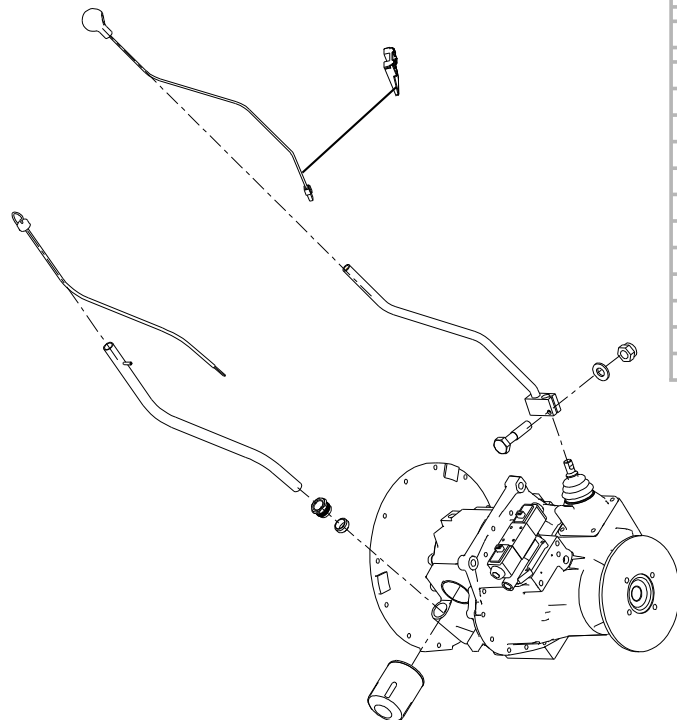
SKR9



MUD GUARDS ROTA

ITEM	PART NO.	DESCRIPTION	QTY	U/M
1	SX609279	MUDGUARD RH	1	EA
2	SX609280	MUDGUARD LH	1	EA
3	181-201-01_02	SAFETY WALK 900MM	2	EA
4	SX609143	WASHER	12	EA
5	SX609255	WING RH	1	EA
6	SX609256	WING LH	1	EA
7	SX609281	MUDSHIELD	2	EA
8	SX609282	MUDFLAP	2	EA
9	SX609299	BLANKING PLATE	2	EA
10	W11S03C	SETSCREW	4	EA
11	W11S06F	SETSCREW	4	EA
12	W17S04	WASHER SPRING	4	EA
13	W17S08	WASHER SPRING	4	EA
14	W267S05	WASHER BZP	4	EA
15	W267S07	WASHER BZP	10	EA
16	W267S09	WASHER BZP	10	EA
17	W59S04	NUT NYLOC BZP	14	EA
18	W59S11	NUT NYLOC BZP	4	EA
19	W8S05D	BOLT	4	EA
20	W8S05E	BOLT	10	EA

SKR9, SK10



TRANSMISSION

ITEM	PART NO.	DESCRIPTION	QTY	U/M
1	SX626069	TRANSMISSION	1	EA
2	ABP3004929	OIL FILTER	1	EA
3	P261651-86	WEDGE	1	EA
4	SX626039	DIPSTICK	1	EA
5	SX626040	DIPSTICK TUBE	1	EA
6	SX626042-01	DIPSTICK SEAL	1	EA
7	SX626042-02	DIPSTICK LOCKNUT	1	EA
8	SX681004	GEAR LEVER FAB 8 & 9 T	1	EA
9	SX715006	DUMP SWITCH CABLE	1	EA
10	W267S06	WASHER BZP	1	EA
11	W59S03	NUT NYLOC BZP	1	EA
12	W8S04E	BOLT	1	EA

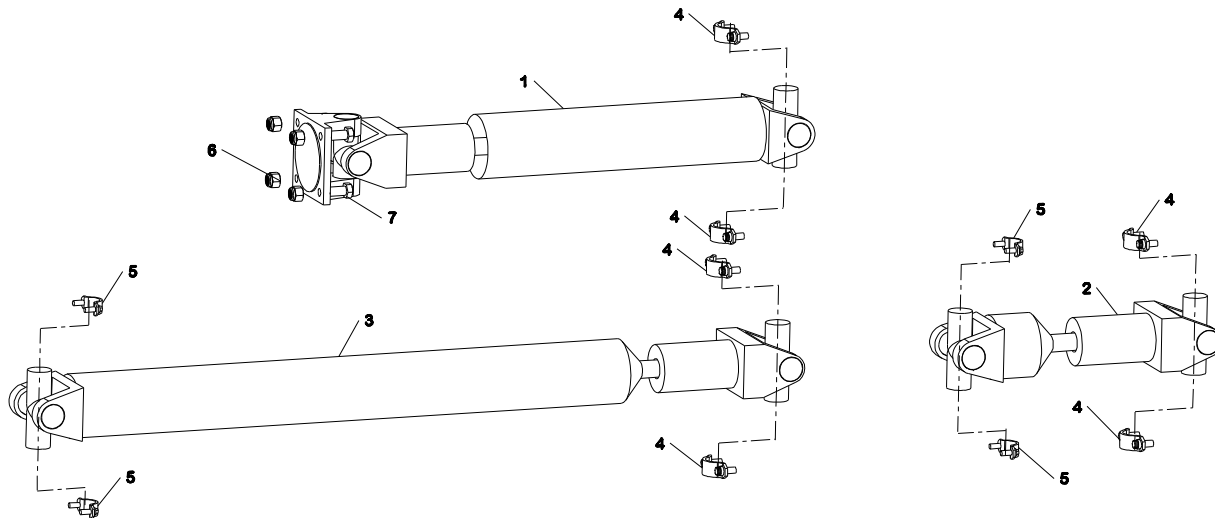
PLEASE CONTACT
BARFORD SITE DUMPERS
QUOTING YOUR TRANSMISSION
SERIAL NUMBER.

SKR9, SK10

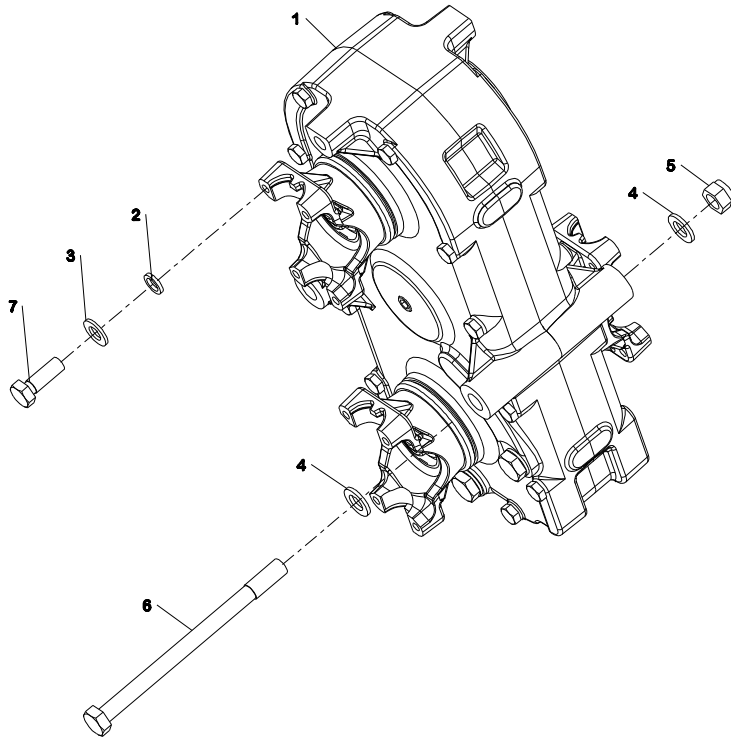


PROP SHAFTS

ITEM	PART NO.	DESCRIPTION	QTY	U/M
1	SX645034	PROPSHAFT	1	EA
2	SX645035	PROPSHAFT	1	EA
3	SX645036	PROPSHAFT	1	EA
4	SX645017	STRAP KIT 1480	6	EA
5	SX645027	STRAP KIT 1410	4	EA
6	W107S16	NYLOC NUT BZP1/2 UNF	4	EA
7	W6S05C	BOLT BZP 1/2 UNF 1-1/2	4	EA



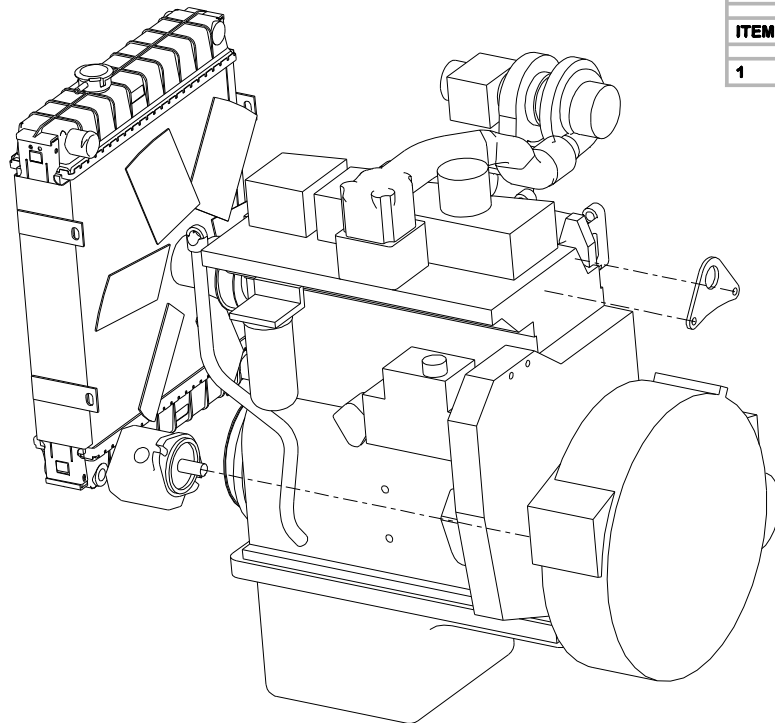
SKR9, SK10



DROP BOX

ITEM	PART NO.	DESCRIPTION	QTY	U/M
1	SX626077	DROPBOX	1	EA
2	W17S07	WASHER SPRING	1	EA
3	W267S08	WASHER BZP	1	EA
4	W267S09	WASHER BZP	4	EA
5	W59S11	NUT NYLOC BZP	2	EA
6	W8S06Y	BOLT	2	EA
7	W8S09D	BOLT	1	EA

SKR9, SK10



ENGINE AND ACCESSORIES

ITEM	PART NO.	DESCRIPTION	QTY	U/M
1	SX616075	ENGINE TURBO IVECO TIER 2	1	EA

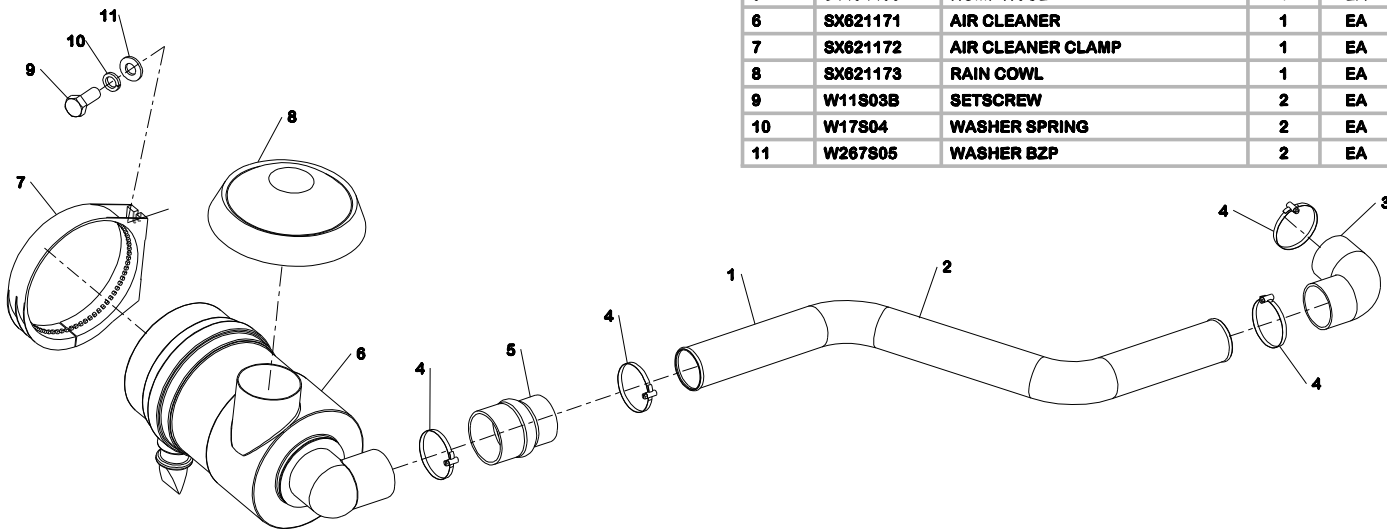
**PLEASE SEE ENGINE MANUAL
AND CONTACT YOUR LOCAL
DEALER WITH YOUR ENGINE
SERIAL NUMBER**

SKR9, SK10

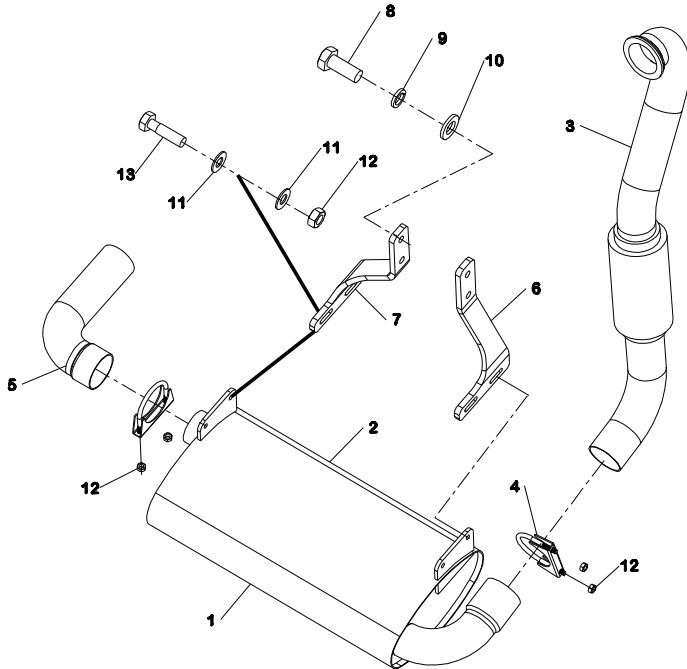


AIR CLEANER TURBO

ITEM	PART NO.	DESCRIPTION	QTY	U/M
1	SX621206	INDUCTION KIT TURBO (ITEMS 2-4)	1	EA
2	SX621157	AIR PIPE TIER 2 TURBO	1	EA
3	SX621128	PIPE ELBOW	1	EA
4	039P4	HOSE CLIP	4	EA
5	94454408	HUMP HOSE	1	EA
6	SX621171	AIR CLEANER	1	EA
7	SX621172	AIR CLEANER CLAMP	1	EA
8	SX621173	RAIN COWL	1	EA
9	W11S03B	SETSCREW	2	EA
10	W17S04	WASHER SPRING	2	EA
11	W267S05	WASHER BZP	2	EA



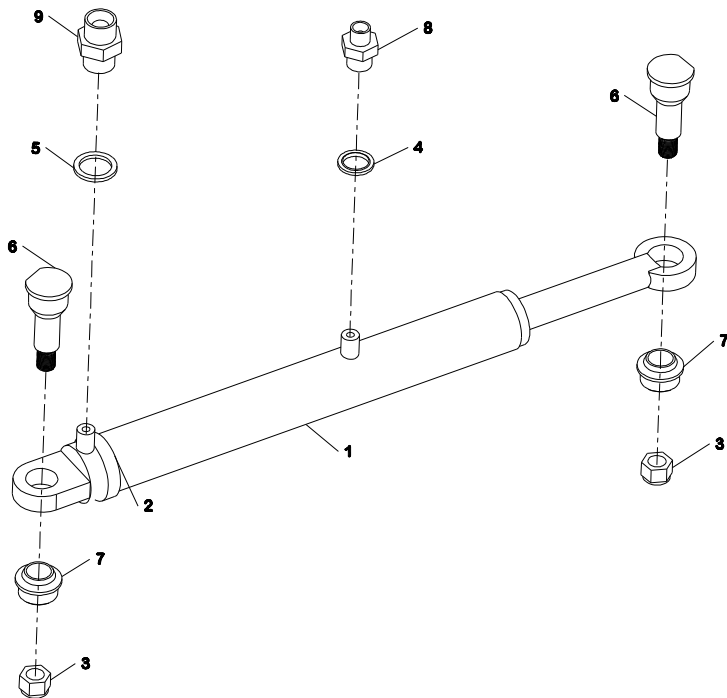
SKR9, SK10



EXHAUST

ITEM	PART NO.	DESCRIPTION	QTY	U/M
1	SX621209	SILENCER KIT SK (ITEMS 2-5)	1	EA
2	SX621164	SILENCER TURBO TIER 2	1	EA
3	SX621165	EXHAUST PIPE TURBO TIER 2	1	EA
4	235P21	C CLAMP	2	EA
5	SX621179	TAIL PIPE	1	EA
6	SX621153	SILENCER SUPPORT LH	1	EA
7	SX621154	SILENCER SUPPORT RH	1	EA
8	W11S05D	SETSCREW	4	EA
9	W17S06	WASHER SPRING	4	EA
10	W267S07	WASHER BZP	4	EA
11	W267S17	WASHER BZP	8	EA
12	W7S03	M10 NUT BZP	4	EA
13	W8S03B	BOLT	4	EA

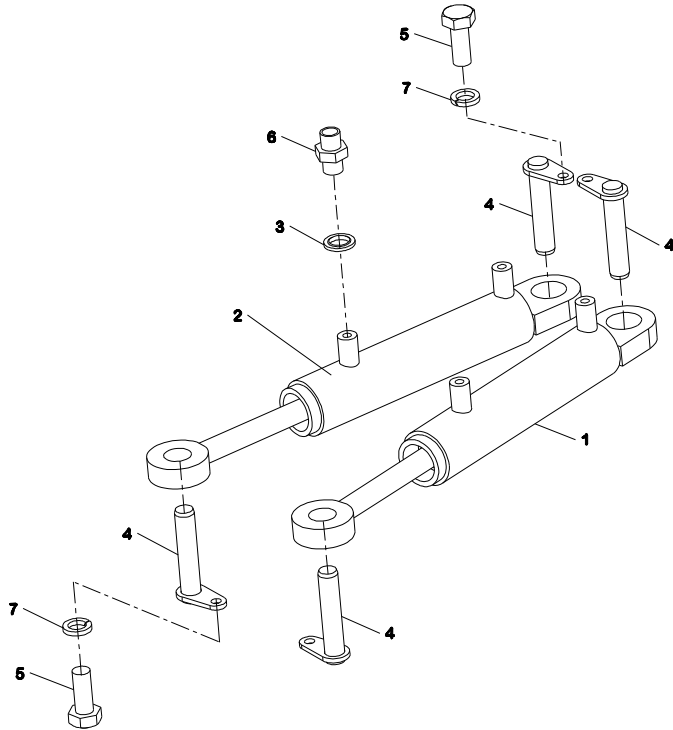
SKR9, SK10



STEERING RAM

ITEM	PART NO.	DESCRIPTION	QTY	U/M
1	SX7060-7	RAM	1	EA
2	ABP3005128	RAM SEAL KIT SK916	1	EA
3	145P10	NUT NYLOC	2	EA
4	330P3	BONDED SEAL	1	EA
5	330P4	BONDED SEAL	1	EA
6	SX706017	STEER RAM PIN	2	EA
7	SX706018	STEER RAM PIN BUSH	2	EA
8	W119S03	ADAPTER M-M 3/4" BSP	1	EA
9	W122S04	ADAPTER M-M 3/4" BSP	1	EA

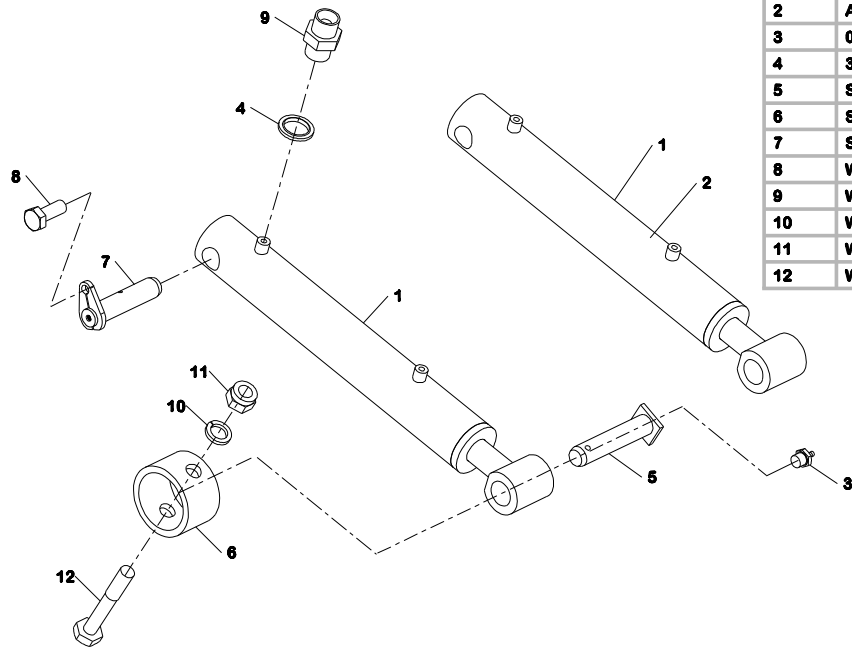
SKR9



SLEW RAM

ITEM	PART NO.	DESCRIPTION	QTY	U/M
1	SX7070-20	RAM	2	EA
2	ABP3005127	RAM SEAL KIT SK922	2	EA
3	330P2	BONDED SEAL	2	EA
4	SX707058	PIN SWIVEL RAM	4	EA
5	W11S03B	SETSCREW	4	EA
6	W122S02	ADAPTER M-M 3/4" BSP	2	EA
7	W17S04	WASHER SPRING	4	EA

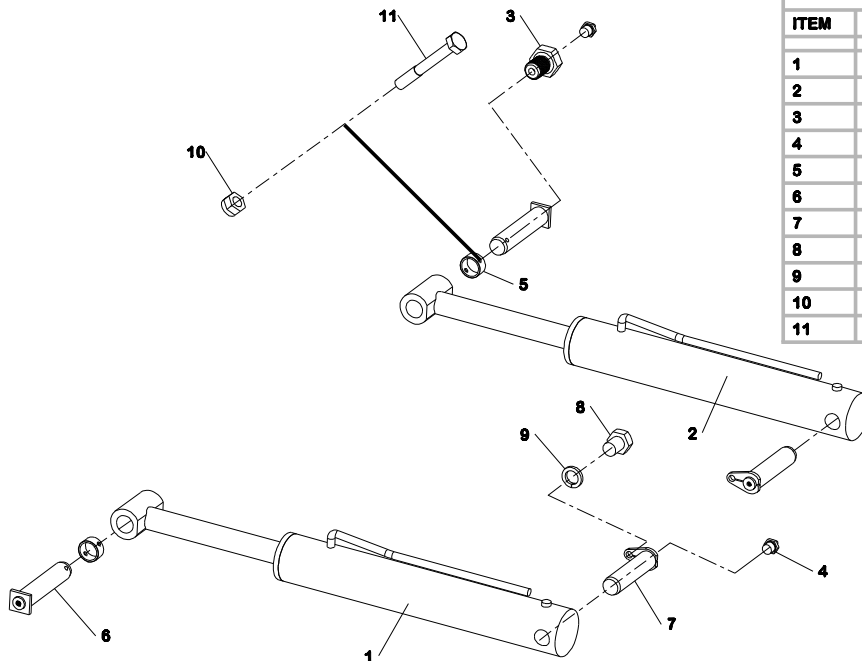
SK10



TIP RAM

ITEM	PART NO.	DESCRIPTION	QTY	U/M
1	SX7070-21	RAM	2	EA
2	ABP3005132	RAM SEAL KIT 920	2	EA
3	031P1	GREAS NIPPLE 1/8" BSPF	2	EA
4	330P3	BONDED SEAL	4	EA
5	SX696065A	TIP PIVOT PIN	2	EA
6	SX696077	COLLAR	2	EA
7	SX707005A	TIP RAM PIN	2	EA
8	W11S05D	SETScrew	2	EA
9	W122S03	ADAPTER M-M 3/4" BSP	4	EA
10	W17S06	WASHER SPRING	2	EA
11	W59S03	NUT NYLOC BZP	2	EA
12	W8904J	BOLT	2	EA

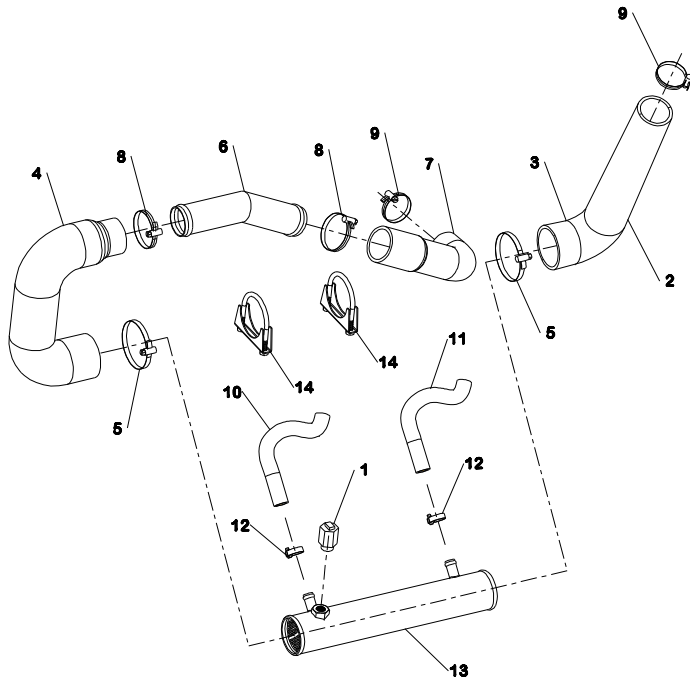
SKR9



TIP RAM ROTA

ITEM	PART NO.	DESCRIPTION	QTY	U/M
1	SX7070-19	RAM	2	EA
2	ABP3005133	RAM SEAL KIT 923	2	EA
3	92381	SCREW GREASING	2	EA
4	031P1	GREAS NIPPLE 1/8" BSPF	4	EA
5	SX696107	COLLAR	2	EA
6	SX696109A	PIN TIP RAM	2	EA
7	SX707027A	TIPPING PIN	2	EA
8	W11806B	SETSCREW	2	EA
9	W17908	WASHER SPRING	2	EA
10	W59803	NUT NYLOC BZP	2	EA
11	W8804L	BOLT	2	EA

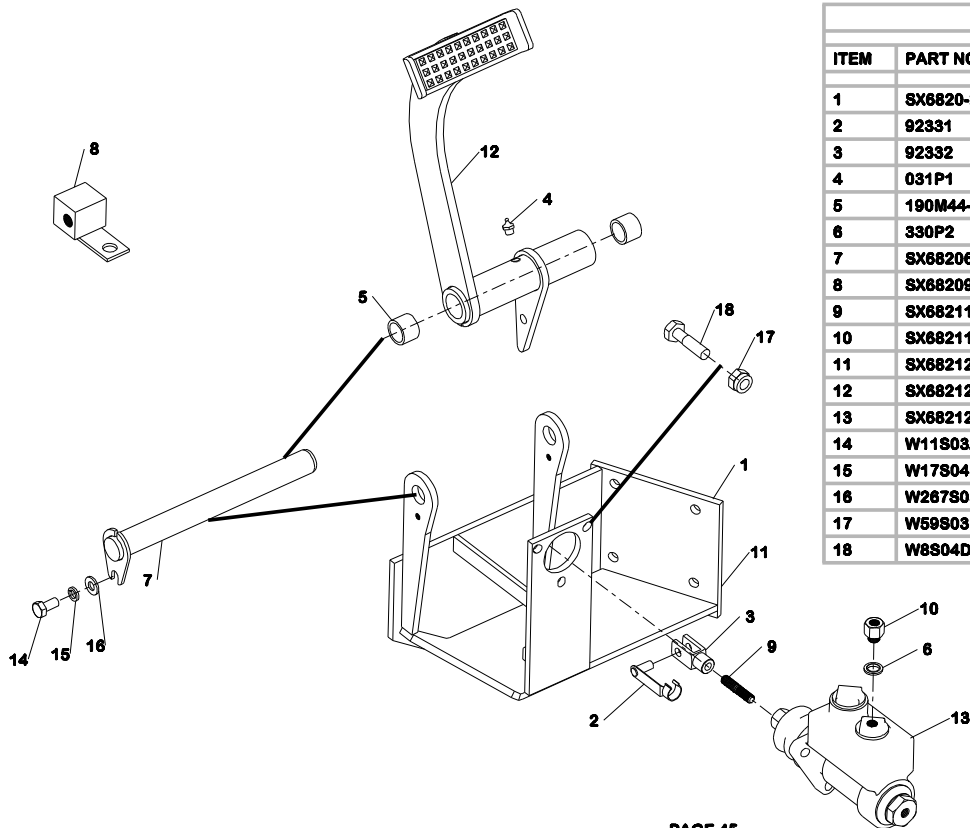
SK10, SKR9



OIL COOLER

ITEM	PART NO.	DESCRIPTION	QTY	U/M
1	264128-53	TEMP SWITCH OIL COOLER	1	EA
2	SX621182	OIL COOLER HOSE KIT (ITEMS 3-9)	1	EA
3	SX621180	HOSE COOLER/ENG	1	EA
4	SX621181	WATER HOSE COOLER	1	EA
5	039P3X	HOSE CLIP	2	EA
6	SX621184	PIPE	1	EA
7	SX621183	HOSE ELBOW	1	EA
8	039P2X	HOSE CLIP	2	EA
9	039P2A	HOSE CLIP	2	EA
10	94422277	HOSE TRANS/COOLER	1	EA
11	94422278	HOSE TRANS/COOLER	1	EA
12	039P1A	HOSE CLIP	2	EA
13	SX621139	OIL COOLER	1	EA
14	SX621200	SADDLE CLAMP	2	EA

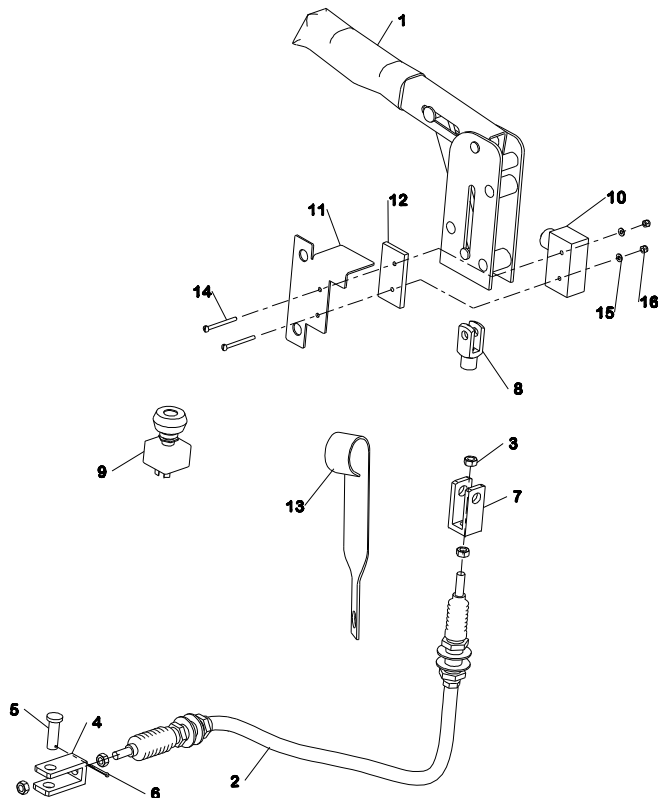
SKR9, SK10



BRAKES

ITEM	PART NO.	DESCRIPTION	QTY	U/M
1	SX6820-2	PEDAL ASSY (ITEMS 2-16)	1	EA
2	92331	CLEVIS	1	EA
3	92332	FORK HEAD	1	EA
4	031P1	GREAS NIPPLE 1/8" BSPF	1	EA
5	190M44-20	OIL RETAINING BUSH	2	EA
6	330P2	BONDED SEAL	1	EA
7	SX682062	PIVOT PIN	1	EA
8	SX682090	3-WAY BRAKE SPLITTER	1	EA
9	SX682110A	PUSH ROD	1	EA
10	SX682115	ADAPTOR	1	EA
11	SX682120	BRACKET BRAKE 8T	1	EA
12	SX682121	PEDAL 8T	1	EA
13	SX682122	M/CYLINDER	1	EA
14	W11303A	SETSCREW	1	EA
15	W17304	WASHER SPRING	1	EA
16	W267S05	WASHER BZP	1	EA
17	W59303	NUT NYLOC BZP	3	EA
18	W8S04D	BOLT	3	EA

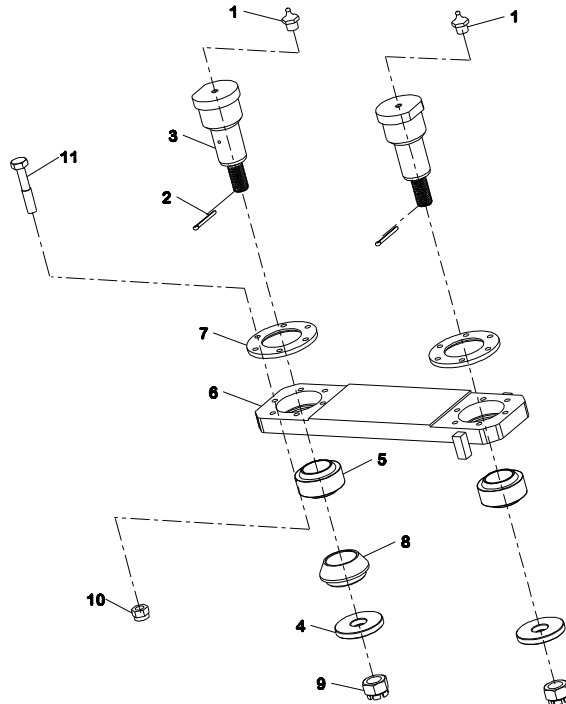
SK10, SKR9



PARKING BRAKE

ITEM	PART NO.	DESCRIPTION	QTY	U/M
1	50221	LEVER HANDBRAKE	1	EA
2	92301	CABLE, HANDBRAKE (ITEMS 3-7)	1	EA
3	W7802	M10 NUT BZP	4	EA
4	ABP3004371	CLEVIS	1	EA
5	ABP2004372	PIN	1	EA
6	ABP3004373	SPLIT PIN	1	EA
7	SX682069	CLEVIS	1	EA
8	52310	FORK HEAD	1	EA
9	P264112-42	ROTARY SWITCH	1	EA
10	P264119-34	MICRO SWITCH	1	EA
11	SX609139	COVER	1	EA
12	SX609142	HANDBRAKE M/S SPACER	1	EA
13	SX682114	H-BRAKE CBL BRACKET	1	EA
14	W16S03F	PANHEAD SCREW	2	EA
15	W267S01	WASHER BZP	2	EA
16	W59S01	NUT NYLOC BZP	2	EA

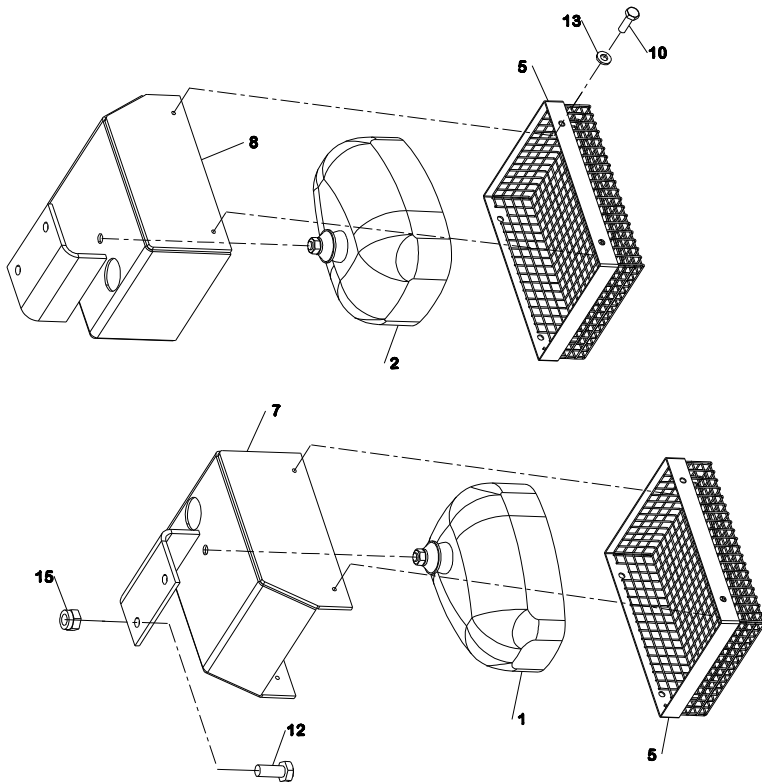
SKR9, SK10



TOP LINK AND PINS

ITEM	PART NO.	DESCRIPTION	QTY	U/M
1	031P1	GREAS NIPPLE 1/8" BSPF	2	EA
2	335P6_2	SPLIT_PIN	2	EA
3	SX609001A	TOP PIN	2	EA
4	SX609004	WASHER	2	EA
5	SX609010	(A)45 I/D SPH BEARING	2	EA
6	SX609013	TOP LINK	1	EA
7	SX609014	BEARING CAP	2	EA
8	SX609241	TOP SPACER	1	EA
9	W228S11	CASTLE NUT	2	EA
10	W59S12	NUT NYLOC BZP	12	EA
11	W8S03E	BOLT	12	EA

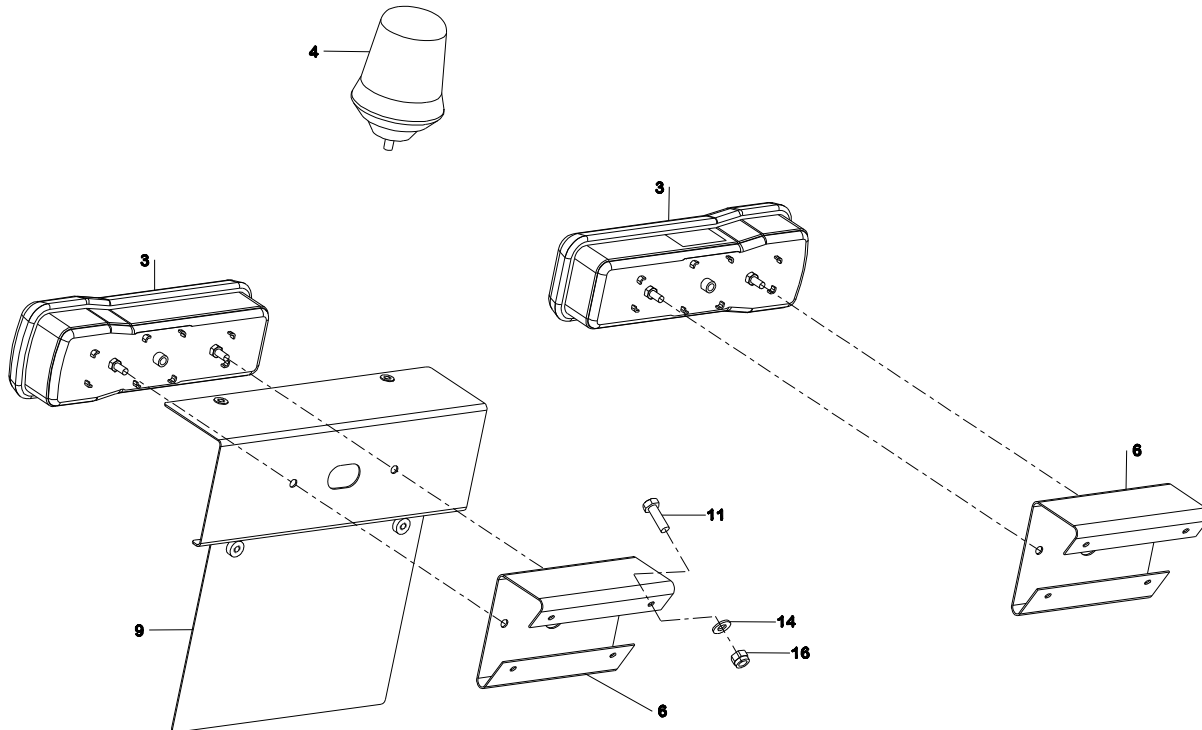
SKR9, SK10



LIGHTS-OPTION

ITEM	PART NO.	DESCRIPTION	QTY	U/M
1	P266118-39	HEADLAMP LH MT LH DIP	1	EA
2	P266118-40	HEADLAMP LH MT LH DIP	1	EA
3	P266118-41	REAR LIGHT	2	EA
4	SX3452EZ1	BEACON	1	EA
5	SX442014	LIGHT GUARD	2	EA
6	SX442029	SUPPORT BRACKET	2	EA
7	SX442034	LAMP BRACKET RH	1	EA
8	SX442035	LAMP BRACKET LH	1	EA
9	SX442040	BRACKET REAR LAMP	1	EA
10	W11S02B	SETSCREW	8	EA
11	W11S03C	SETSCREW	8	EA
12	W11S04C	SETSCREW	4	EA
13	W267S04	WASHER BZP	8	EA
14	W267S05	WASHER BZP	8	EA
15	W59S03	NUT NYLOC BZP	4	EA
16	W59S12	NUT NYLOC BZP	9	EA
N/A	SX715110	LOOM KIT LIGHTS SX5-10	1	EA

SKR9, SK10



Service And Warranty



Barford Site Dumpers give a warranty which subject to certain conditions, gives an assurance as to the quality of their product.

The warranty states:-

In the manufacture of Barford site dumpers we endeavour to ensure that only the best workmanship and materials are used. Consequently, provided:-

1. The machine has been used in accordance with our recommendations and,
2. That no alterations have been made to the machine without prior written approval and,
3. That the machine has been maintained, serviced and lubricated in accordance with our recommendations and,
4. That Barfords Warranty Certificate and /or New Machine Delivery Report has been completed and received by Barford within one month of delivery to the user.
5. That Barford receive a correctly completed claim form within thirty days of the failure occurring.
6. **UK**
That alleged defective parts are returned to Barford within 4 weeks of date of failure.
7. **All other territories**
That unless otherwise instructed the alleged defective parts are to be stored for inspection for a 6 month period from date of failure.

We will examine the alleged defective part and if we are reasonably satisfied that any defect is solely due to bad workmanship or materials, we will at our cost and at our option either repair any defective part or supply a replacement part in full discharge of all obligations upon us.

This warranty however, does not extend to recondition or second hand machines. For the avoidance of doubt, we will not entertain any other claims of a direct or consequential nature of whatsoever description and our responsibility is limited to the above.

The above warranty shall in no way detract from your statutory rights.

Warranty

It is important to use only genuine Barford spare parts and to adhere strictly to the conditions of operation and maintenance laid down by Barford Site Dumpers.

Your warranty may be invalidated if you do not comply with the above recommendations.