

SX SERIES SITE DUMPERS



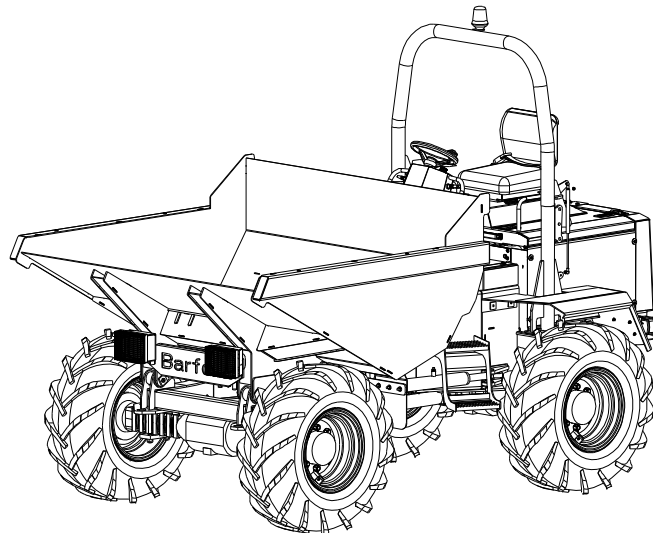
Barford Site Dumpers

Site Dumper

SX 2000, 3000

SXR 3000

PARTS MANUAL



ISSUE: - 04 - 01 - 2006

CONTENTS



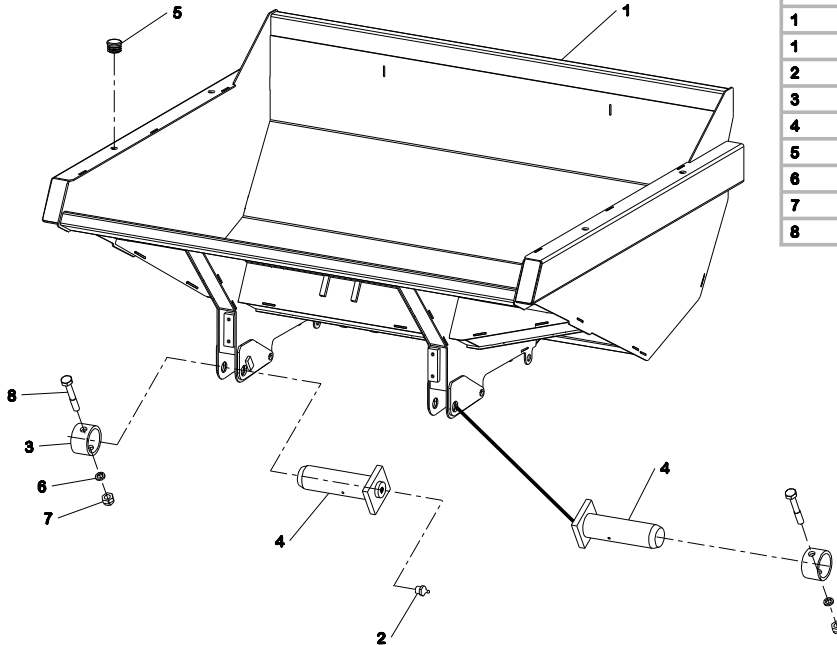
PAGE 1	SKIP AND PINS	PAGE 29	FUEL TANK ASSEMBLY
PAGE 2	SKIP AND PINS ROTA	PAGE 30	BATTERY AND FIXINGS
PAGE 3	TURNTABLE	PAGE 31	ELECTRICAL GENERAL
PAGE 4	FRONT CHASSIS AND BOTTOM PIN	PAGE 32	AXLES
PAGE 5	FRONT CHASSIS AND BOTTOM PIN ROTA	PAGE 33	WHEELS AND TYRES
PAGE 6	SKIP PROP AND LOCKING PINS	PAGE 34	MUD GUARDS SX 2/3
PAGE 7	SKIP PROP AND LOCKING PINS ROTA	PAGE 35	MUD GUARDS SXR 3
PAGE 8	STEERING ASSEMBLY	PAGE 36	TRANSMISSION
PAGE 9	PEDESTAL	PAGE 37	PROP SHAFTS
PAGE 10	PEDESTAL ELECTRICS	PAGE 38	DROP BOX AND FIXINGS
PAGE 11	SEAT	PAGE 39	ENGINE AND ACCESSORIES
PAGE 12	BONNET ASSEMBLY	PAGE 40	AIR CLEANER
PAGE 13	BONNET ASSEMBLY	PAGE 41	EXHAUST SX3/SXR3
PAGE 14	REAR CHASSIS	PAGE 42	EXHAUST SX2
PAGE 15	REAR CHASSIS	PAGE 43	STEERING RAM
PAGE 16	ENGINE AND TRANSMISSION MOUNTS 3T	PAGE 44	SLEW RAM
PAGE 17	ENGINE AND TRANSMISSION MOUNTS 2T	PAGE 45	TIP RAM
PAGE 18	ROPS FRAME AND REAR COVER	PAGE 46	TIP RAM ROTA
PAGE 19	HYDRAULIC TANK	PAGE 47	AIR DUCT
PAGE 20	HYDRAULIC SCHEMATIC SX 2/3	PAGE 48	BRAKES
PAGE 21	HYDRAULIC SCHEMATIC SX 2/3	PAGE 49	BRAKES
PAGE 22	HYDRAULIC SCHEMATIC SXR3	PAGE 50	PARKING BRAKE
PAGE 23	HYDRAULIC SCHEMATIC SXR3	PAGE 51	ENGINE COVERS
PAGE 24	HYDRAULIC CONTROL VALVES	PAGE 52	TOP LINK AND PINS
PAGE 25	HYDRAULIC CONTROL VALVES ROTA	PAGE 53	CLUTCH PEDAL
PAGE 26	THROTTLE ASSEMBLY	PAGE 54	LIGHTS OPTION
PAGE 27	THROTTLE ASSEMBLY	PAGE 55	LIGHTS OPTION
PAGE 28	FUEL TANK ASSEMBLY		

SX2/3000



SKIP AND PINS

ITEM	PART NO.	DESCRIPTION	QTY	U/M
1	SX696079	SKIP SX 2000	1	EA
1	SX696078	SKIP SX 3000	1	EA
2	031P1	GREAS NIPPLE 1/8" BSPF	2	EA
3	SX696077	COLLAR	2	EA
4	SX696095A	TIP PIVOT PIN	2	EA
5	SX696111	PLUG PLASTIC	4	EA
6	W17S05	WASHER SPRING	2	EA
7	W59S03	NUT NYLOC BZP	2	EA
8	W8S04J	BOLT	2	EA

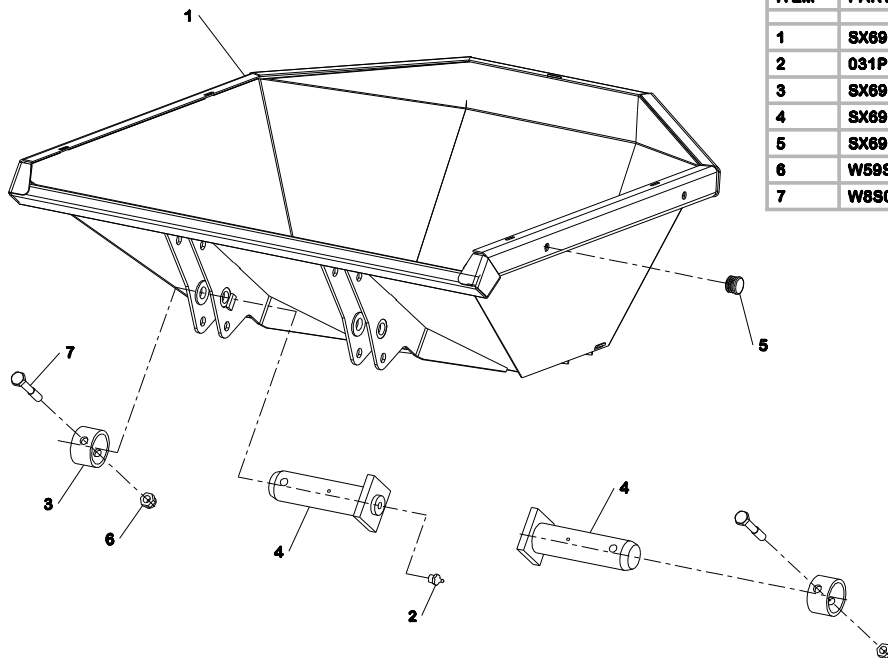


SXR3000

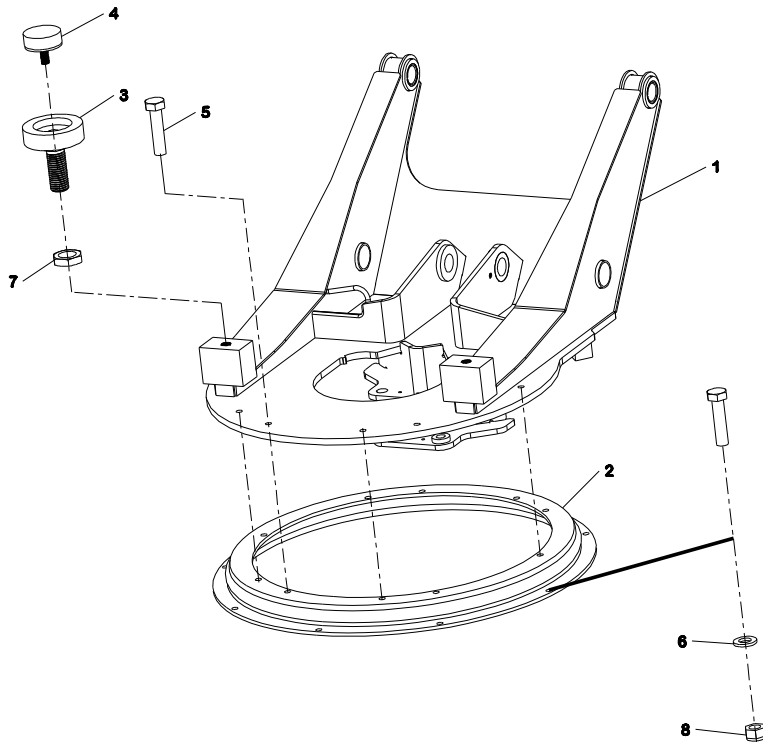


SKIP AND PINS ROTA

ITEM	PART NO.	DESCRIPTION	QTY	U/M
1	SX696115A	SKIP 3T ROTA	1	EA
2	031P1	GREAS NIPPLE 1/8" BSPF	2	EA
3	SX696077	COLLAR	2	EA
4	SX696104A	TIP PIVOT PIN	2	EA
5	SX696111	PLUG PLASTIC	4	EA
6	W59S03	NUT NYLOC BZP	2	EA
7	W8904J	BOLT	2	EA



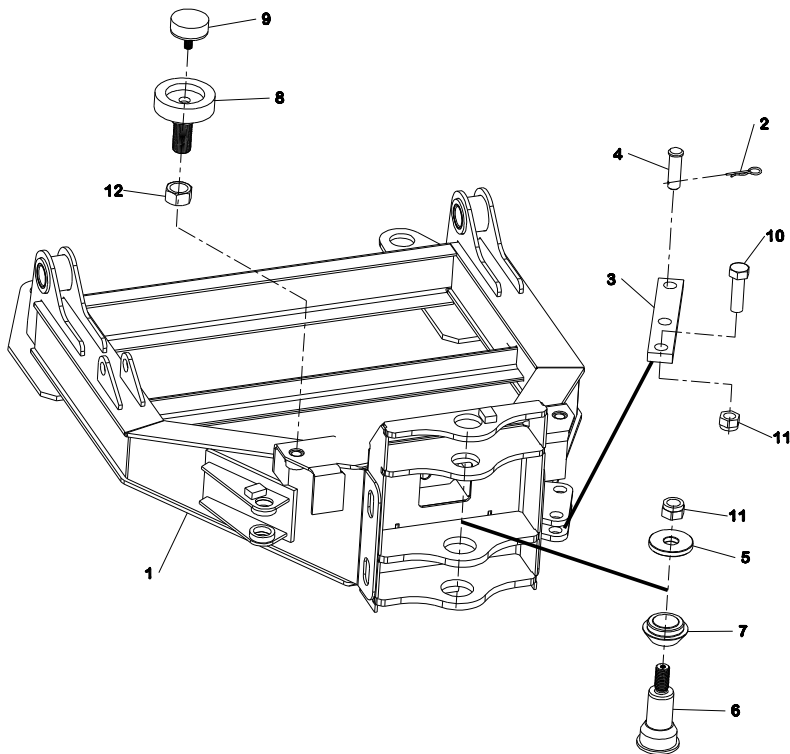
SXR3000



TURNTABLE

ITEM	PART NO.	DESCRIPTION	QTY	U/M
1	SX696102A	TURNTABLE 3T	1	EA
2	SX696103A	SLEW RING SX3	1	EA
3	SX696014	SKIP STOP	2	EA
4	SX696127	BUFFER	2	EA
5	W11805H	SETSCREW	18	EA
6	W267S07	WASHER BZP	18	EA
7	W56S08	LOCKNUT	2	EA
8	W59S04	NUT NYLOC BZP	16	EA
N/A	SW682136	SHIM 0.25	AR	EA
N/A	SW682137	SHIM 0.40	AR	EA
N/A	SW682138	SHIM 1.22	AR	EA

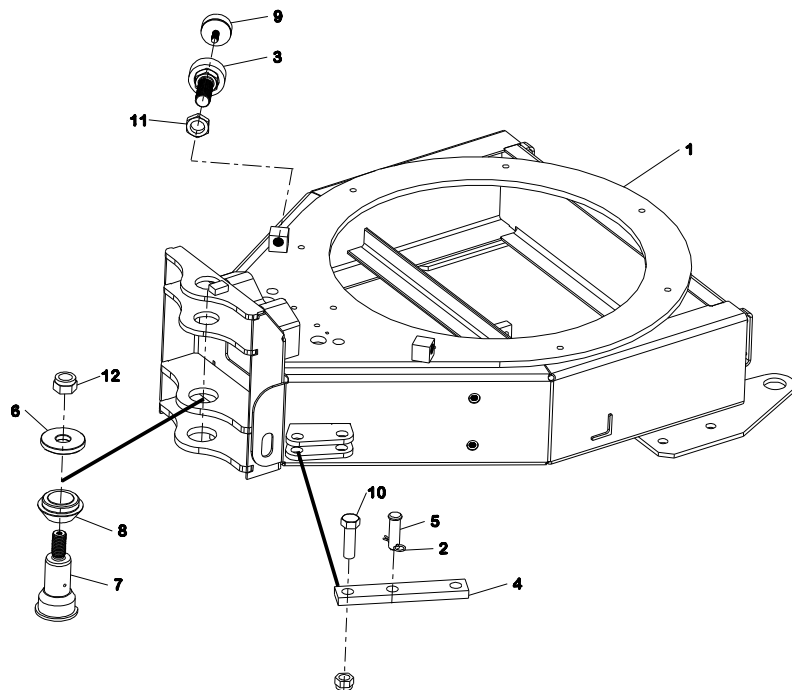
SX2/3000



FRONT CHASSIS AND BOTTOM PIN

ITEM	PART NO.	DESCRIPTION	QTY	U/M
1	SX607065A	FRONT FRAME SX2-3	1	EA
2	91510702	SPRING COTTER	1	EA
3	SX607003	LOCKING BAR	1	EA
4	SX607004	PIN	1	EA
5	SX609004	WASHER	1	EA
6	SX609043	BOTTOM PIN	1	EA
7	SX609045	BOTTOM BUSH	1	EA
8	SX609097A	SKIP STOP	2	EA
9	SX609127	BUFFER	2	EA
10	W11308P	SETSCREW	1	EA
11	W59S07	NUT NYLOC BZP	2	EA
12	W7S08	M10 NUT BZP	2	EA

SXR3000



FRONT CHASSIS AND BOTTOM PIN ROTA

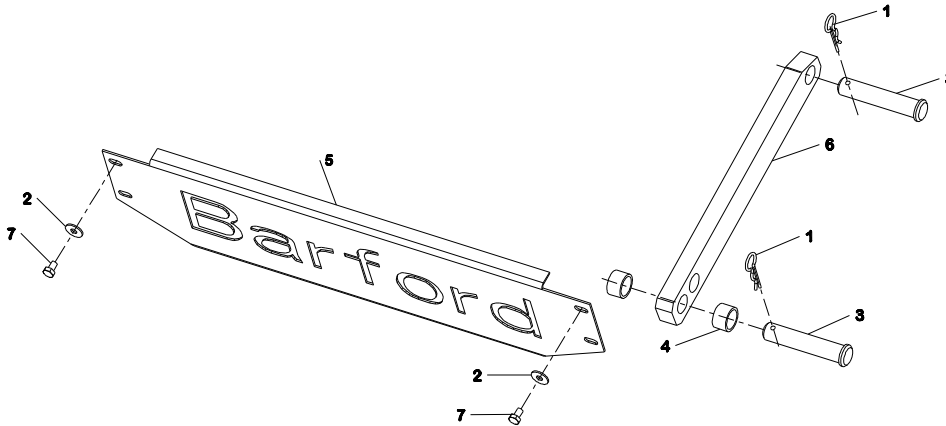
ITEM	PART NO.	DESCRIPTION	QTY	U/M
1	SX607064B	FRONT FRAME (SXR3)	1	EA
2	91610702	SPRING COTTER	1	EA
3	SX454004	SKIP STOP	2	EA
4	SX607003	LOCKING BAR	1	EA
5	SX607004	PIN	1	EA
6	SX609004	WASHER	1	EA
7	SX609043	BOTTOM PIN	1	EA
8	SX609045	BOTTOM BUSH	1	EA
9	SX609127	BUFFER	2	EA
10	W11S08P	SETScrew	1	EA
11	W56S08	LOCKNUT	2	EA
12	W59S07	NUT NYLOC BZP	2	EA

SX2/3000



SKIP PROP AND LOCKING PINS

ITEM	PART NO.	DESCRIPTION	QTY	U/M
1	91510702	SPRING COTTER	2	EA
2	128M10	TEDDER WASHER	4	EA
3	SX607058	PIN	2	EA
4	SX607059	SPACER	2	EA
5	SX696032	NAME PLATE	1	EA
6	SX696035	SKIP PROP	1	EA
7	W11S04A	SETSCREW	4	EA

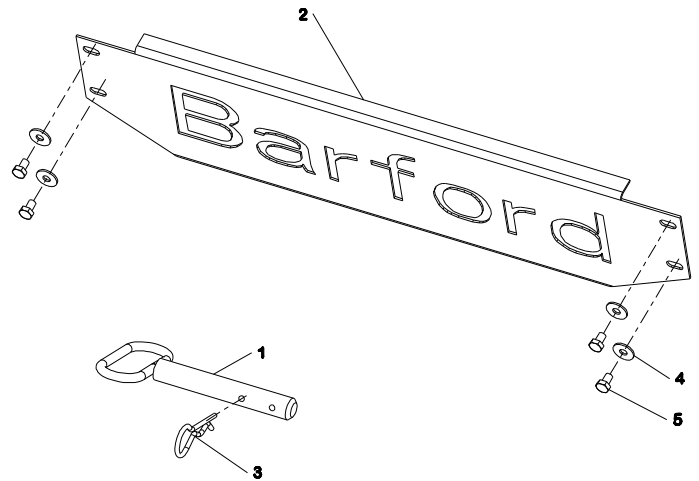


SXR3000

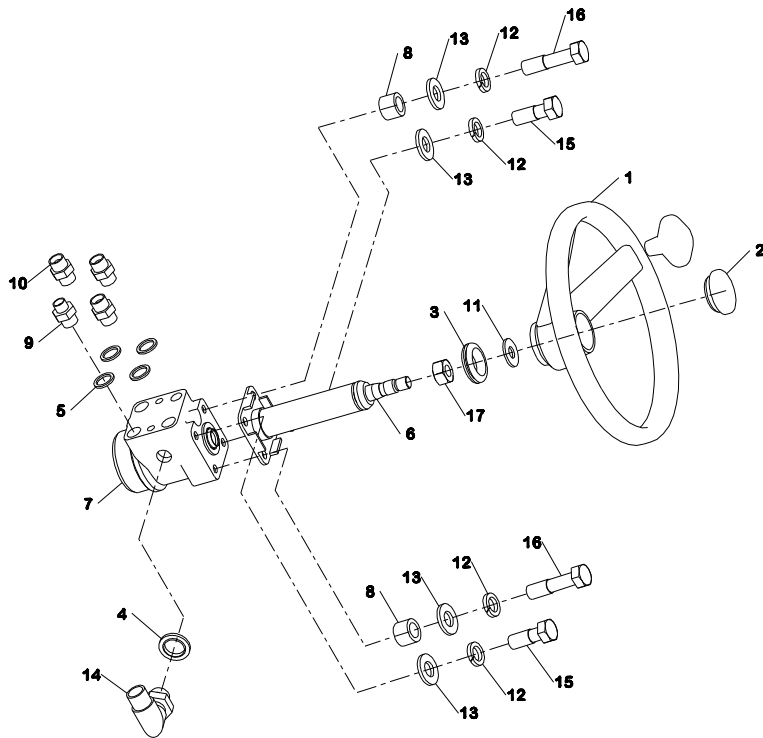


SKIP PROP AND LOCKING PINS ROTA

ITEM	PART NO.	DESCRIPTION	QTY	U/M
1	SX696108	PIN PROP	1	EA
2	SX696032	NAME PLATE	1	EA
3	91510701	CLIP SPRING	1	EA
4	128M10	TEDDER WASHER	4	EA
5	W11S04A	SETScrew	4	EA



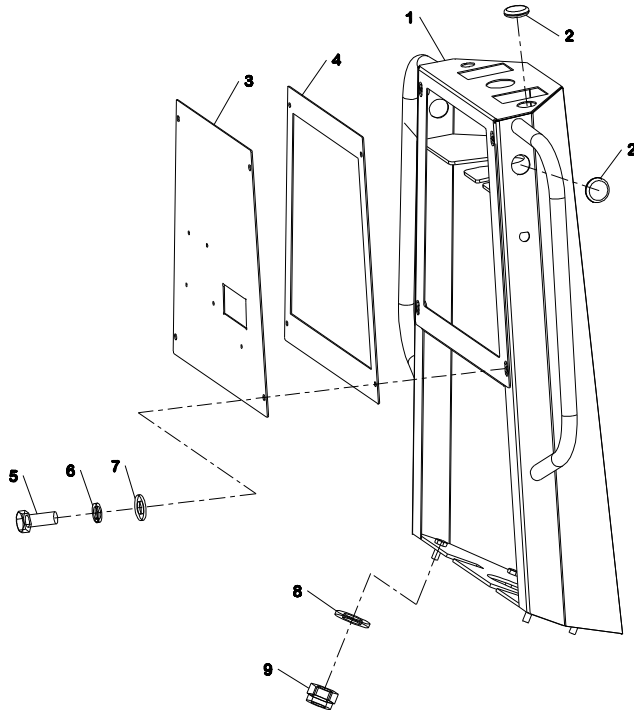
SX2/3000, SXR3000



STEERING ASSEMBLY

ITEM	PART NO.	DESCRIPTION	QTY	U/M
1	1006334A	STEERING WHEEL	1	EA
2	1006335B	CENETR CAP INVICTA	1	EA
3	180P17F	GROMMET	1	EA
4	330P2	BONDED SEAL	1	EA
5	330P4	BONDED SEAL	4	EA
6	SX688003	STEERING COLUMN	1	EA
7	SX688009	STEERING UNIT	1	EA
8	TR680183	SPACER	2	EA
9	W119S08	ADAPTER M-M 3/4" BSP	1	EA
10	W122804	ADAPTER M-M 3/4" BSP	3	EA
11	W150S07	WASHER	1	EA
12	W17S05	WASHER SPRING	4	EA
13	W267S06	WASHER BZP	4	EA
14	W317S01	ELBOW 1/2" BSP	1	EA
15	W66S03A	SETScrew	2	EA
16	W66S03D	SETScrew	2	EA
17	W95S06	NUT	1	EA

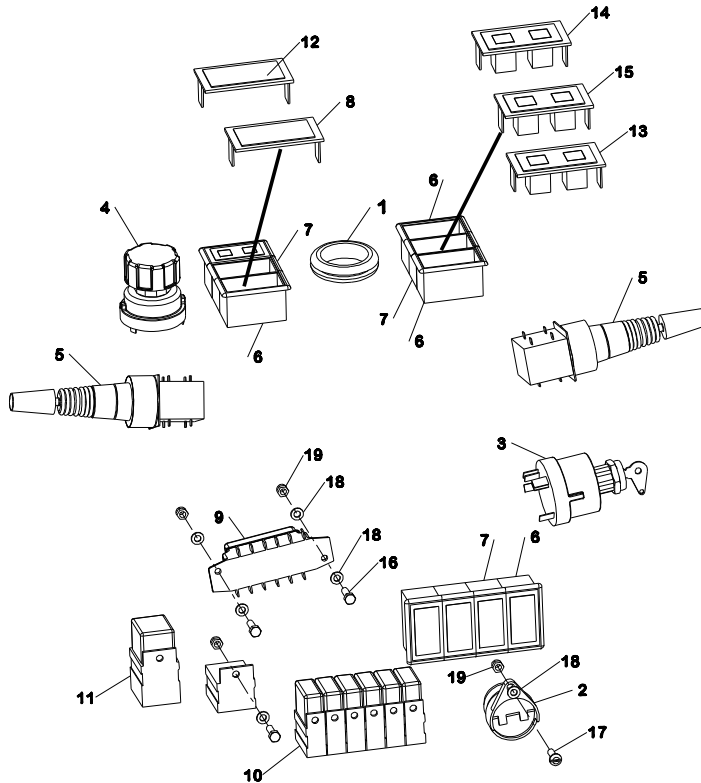
SX2/3000, SXR3000



PEDESTAL

ITEM	PART NO.	DESCRIPTION	QTY	U/M
1	SX609307	PEDESTAL	1	EA
2	181P13C	GROMMET	2	EA
3	SX609308	PANEL	1	EA
4	SX609309	GASKET	1	EA
5	W11803B	SETSCREW	4	EA
6	W17S04	WASHER SPRING	4	EA
7	W267805	WASHER BZP	4	EA
8	W267807	WASHER BZP	4	EA
9	W59S03	NUT NYLOC BZP	4	EA

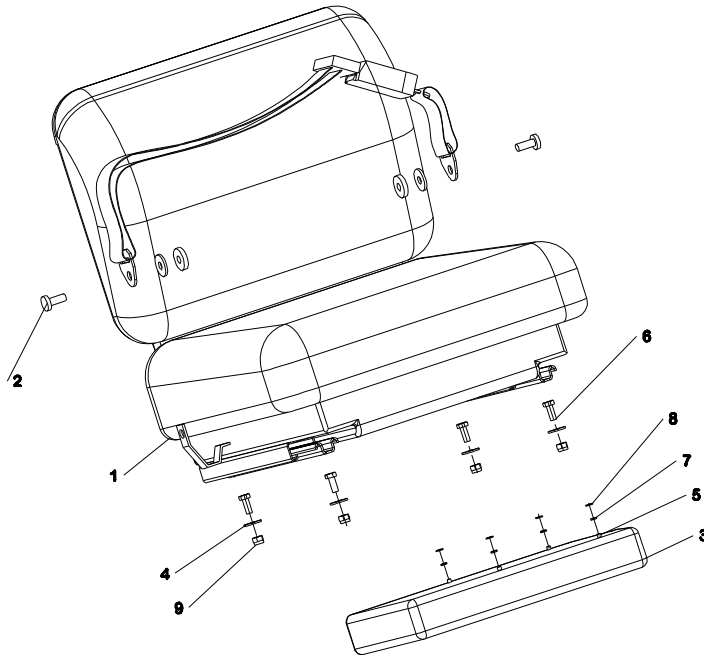
SX2/3000, SXR3000



PEDESTAL ELECTRICS

ITEM	PART NO.	DESCRIPTION	QTY	U/M
1	180P17F	GROMMET	1	EA
2	P262416-43	BUZZER	1	EA
3	P264112-39	KEYSWITCH	1	EA
4	P264112-40	ROTARY SWITCH	1	EA
5	P264116-19	SWITCH	2	EA
6	P264127-52	HOUSING END	6	EA
7	P264127-53	HOUSING CENTRE	4	EA
8	P264127-54	BLANK	6	EA
9	P264212-20	BASE	1	EA
10	P264511-67	5 PIN RELAY 12V 10/20A	6	EA
11	P26511-82	70A RELAY 12V DC (IN LOOM)	1	EA
12	P266114-111	WARNING FULL BEAM	1	EA
13	P266114-112	WARNING GBOX OIL PRESS & TEMP	1	EA
14	P266114-113	WARNING PARK BREAK/BATTERY	1	EA
15	P266114-114	WARNING OIL PRESS/ENG TEMP	1	EA
16	W118011AA	SETSCREW	4	EA
17	W16S06B	PANHEAD SCREW	1	EA
18	W267903	WASHER BZP	7	EA
19	W59S13	NUT NYLOC BZP	5	EA
N/A	P264131-41	25A CIRCUIT BREAKER	1	EA
N/A	P264131-42	15A CIRCUIT BREAKER	2	EA
N/A	P264131-43	10A CIRCUIT BREAKER	1	EA
N/A	P264131-44	8A CIRCUIT BREAKER	2	EA
N/A	SX715108	LOOM PEDESTAL	1	EA

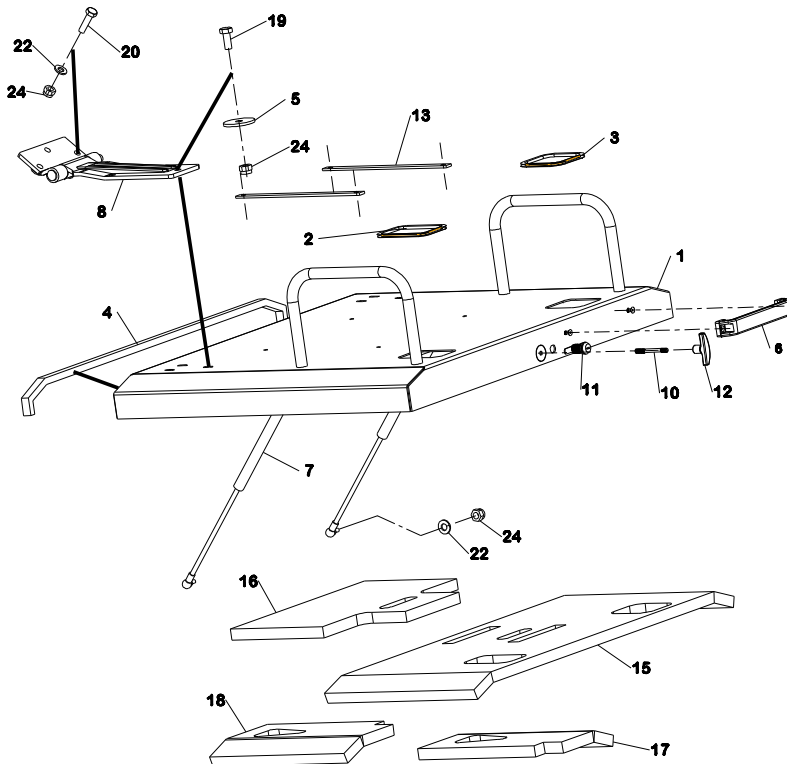
SX2/3000, SXR3000



SEAT

ITEM	PART NO.	DESCRIPTION	QTY	U/M
1	SX691015	SEAT	1	EA
2	SX413020	SEAT BELT	1	EA
3	1006519	DOC BOX	1	EA
4	128M8	TEDDER WASHER	4	EA
5	W11S01AA	SETSCREW	4	EA
6	W11S03B	SETSCREW	4	EA
7	W17S02	WASHER SPRING	4	EA
8	W267S03	WASHER BZP	4	EA
9	W59S12	NUT NYLOC BZP	4	EA

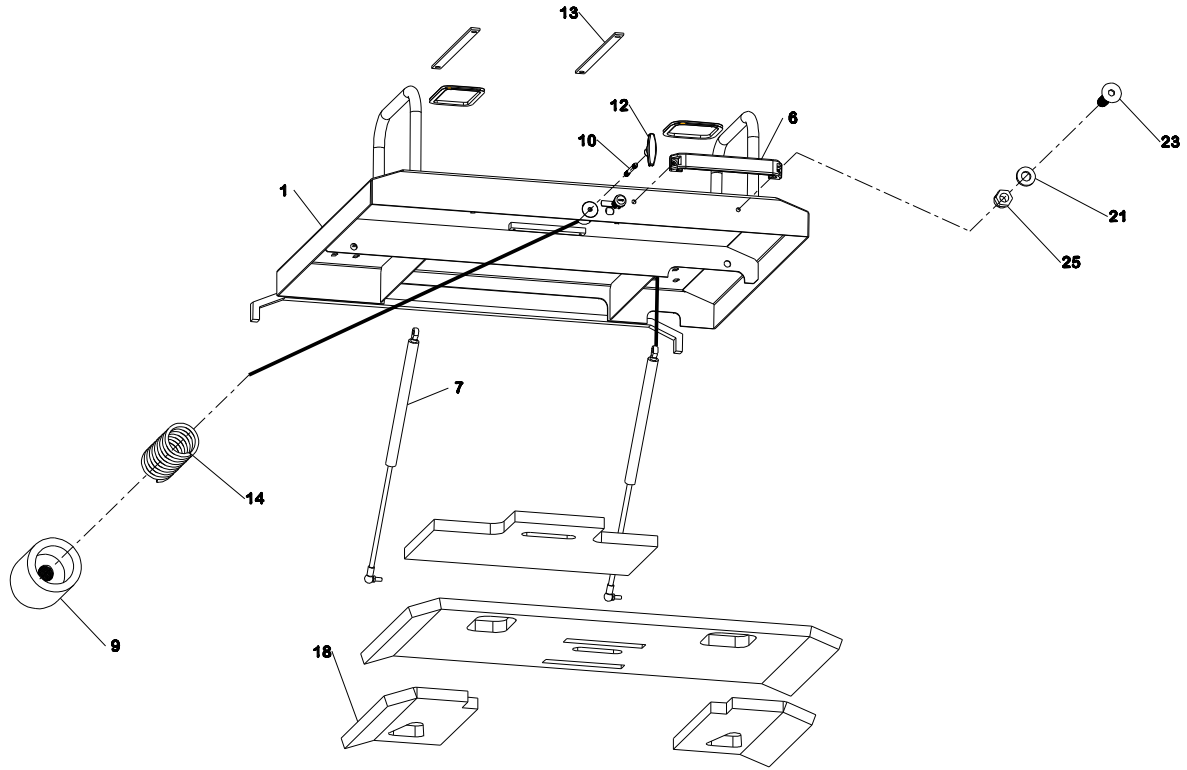
SX2/3000, SXR3000



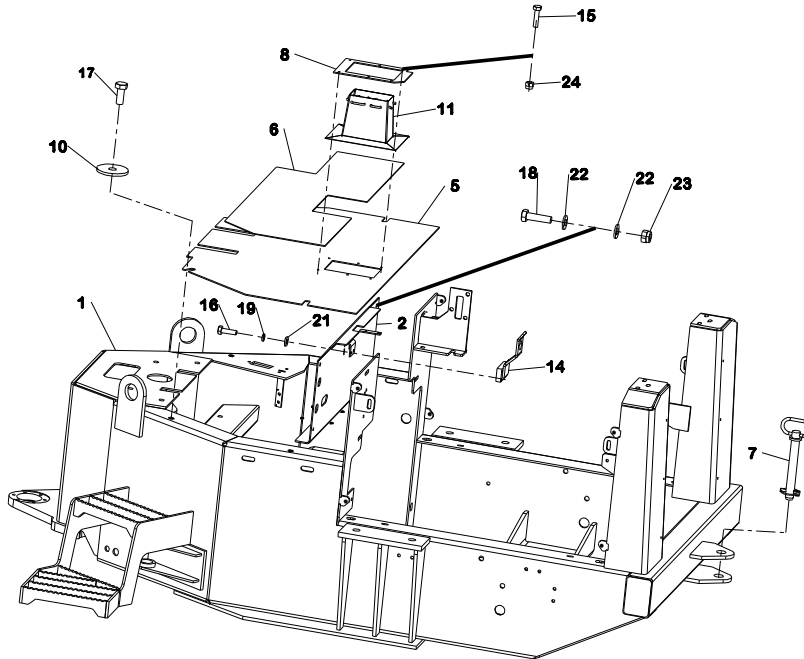
BONNET ASSEMBLY

ITEM	PART NO.	DESCRIPTION	QTY	U/M
1	SX609264	BONNET	1	EA
2	172-103-01_BM01	SEAL 400MM	1	EA
3	172-103-01_BM03	SEAL 400MM	1	EA
4	172-144-01_BM02	SEAL 1000MM	1	EA
5	91621036	WASHER TEDDER	6	EA
6	SW609681	HANDLE	1	EA
7	SX609083	GAS SPRING	2	EA
8	SX609157	HINGE	2	EA
9	SX609227	LOCK PLUNGER	1	EA
10	SX609228	LOCK ROD	1	EA
11	SX609230	LOCK	1	EA
12	SX609232	KNOB	1	EA
13	SX609275	PACKER	2	EA
14	SX609286	SPRING	1	EA
15	SX731032	INSULATION FRONT	1	EA
16	SX731033	INSULATION REAR	1	EA
17	SX731034	INSULATION LH	1	EA
18	SX731035	INSULATION RH	1	EA
19	W11S03B	SETSCREW	6	EA
20	W11S03D	SETSCREW	6	EA
21	W267S04	WASHER BZP	2	EA
22	W267S05	WASHER BZP	10	EA
23	W52602E	SCREW CSK	2	EA
24	W59S12	NUT NYLOC BZP	16	EA
25	W59S14	NUT NYLOC BZP	2	EA

SX2/3000, SXR3000



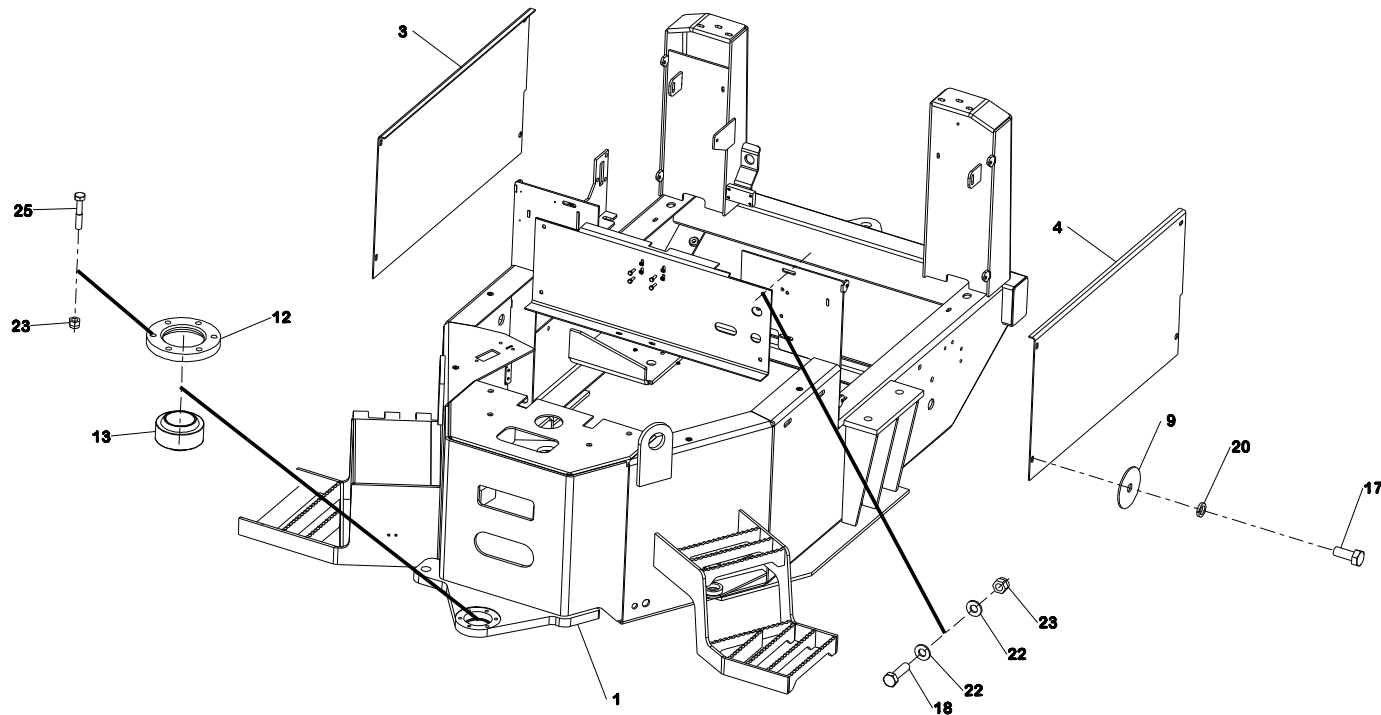
SX2/3000, SXR3000



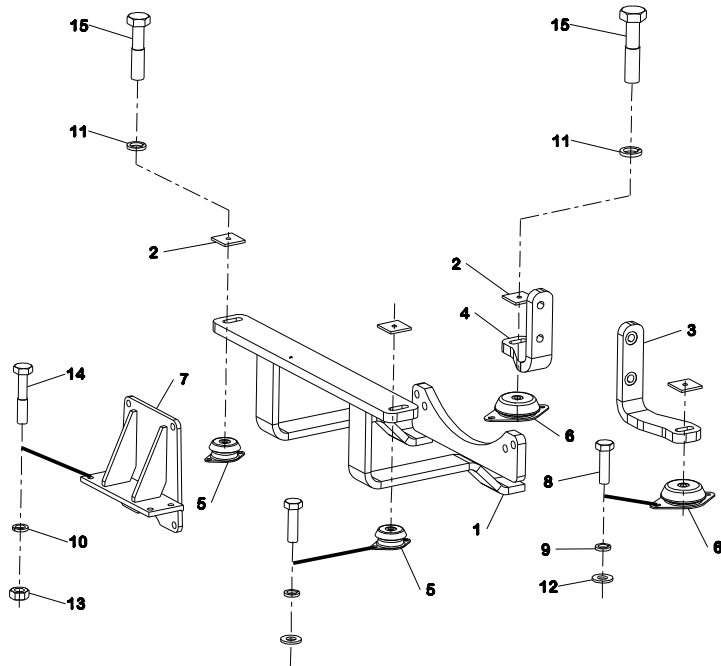
REAR CHASSIS

ITEM	PART NO.	DESCRIPTION	QTY	U/M
1	SX607083	REAR CHASSIS	1	EA
2	SX609245A	BULKHEAD	1	EA
3	SX609180	COVER	1	EA
4	SX609181	COVER	1	EA
5	SX609174	FLOOR PLATE	1	EA
6	181-201-01_3	SAFTEY WALK 1000MM	1	EA
7	38042	PIN DRAWBAR	1	EA
8	1009341	PLATE	1	EA
9	91621034	WASHER	8	EA
10	91621036	WASHER TEDDER	4	EA
11	SW691146	GAITER	1	EA
12	SX454045	TOP RING	1	EA
13	SX609010	(A)45 I/D SPH BEARING	1	EA
14	SX609233	CATCH	1	EA
15	W11S01B	SETScrew	6	EA
16	W11S02B	SETScrew	4	EA
17	W11S03B	SETScrew	12	EA
18	W11S03D	SETScrew	4	EA
19	W17S03	WASHER SPRING	10	EA
20	W17S04	WASHER SPRING	8	EA
21	W267S04	WASHER BZP	4	EA
22	W267S05	WASHER BZP	8	EA
23	W59S12	NUT NYLOC BZP	10	EA
24	W59S13	NUT NYLOC BZP	6	EA
25	W8S03E	BOLT	6	EA

SX2/3000, SXR3000



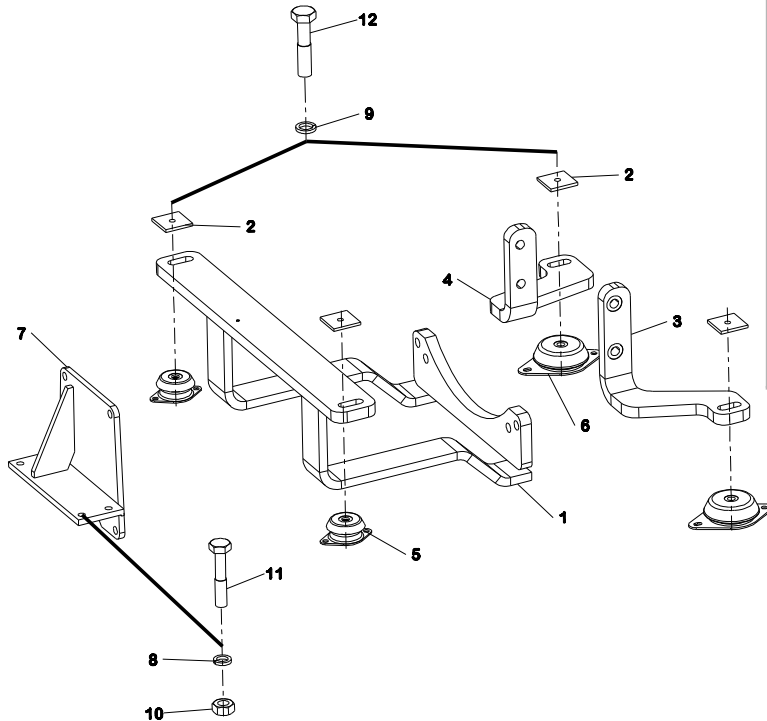
SX3000, SXR3000



ENGINE AND TRANSMISSION MOUNTS

ITEM	PART NO.	DESCRIPTION	QTY	U/M
1	SX616068	ENG MOUNT ASSEMBLY	1	EA
2	SX609133	CLAMP PLATE	4	EA
3	SX616080	ENG BRKT LH 3T	1	EA
4	SX616081	ENG BRKT RH 3T	1	EA
5	SX621211	ENGINE MOUNT	2	EA
6	SX621212	ENGINE MOUNT	2	EA
7	SX626014	DROP BOX BRACKET	1	EA
8	W11S03D	SETSCREW	8	EA
9	W17S04	WASHER SPRING	8	EA
10	W17S05	WASHER SPRING	4	EA
11	W17S06	WASHER SPRING	4	EA
12	W267S05	WASHER BZP	8	EA
13	W7S04	M10 NUT BZP	4	EA
14	W8S04G	BOLT	4	EA
15	W8S05G	BOLT	4	EA

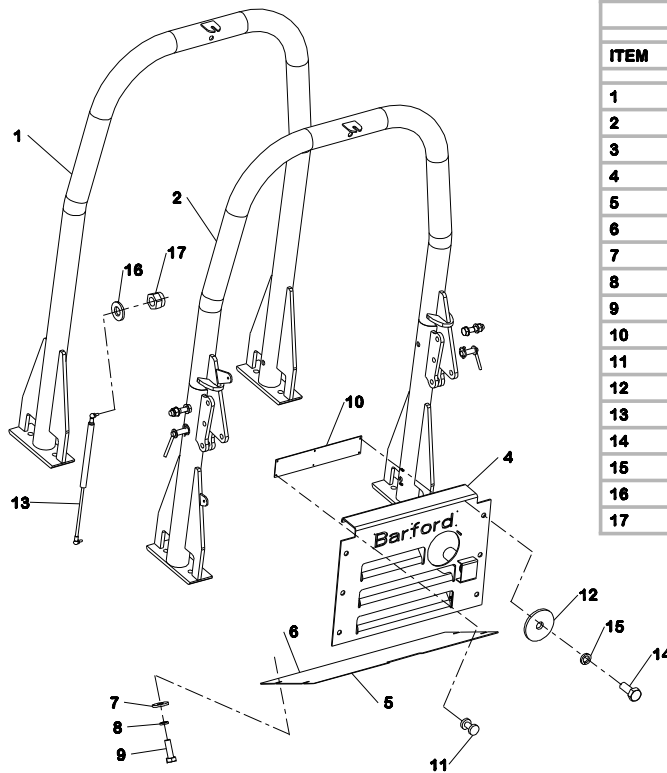
SX2000



ENGINE AND TRANSMISSION MOUNTS

ITEM	PART NO.	DESCRIPTION	QTY	U/M
1	SX616066	ENG MOUNT ASSEMBLY	1	EA
2	SX609133	CLAMP PLATE	4	EA
3	SX616082	ENG BRKT LH 2T	1	EA
4	SX616083	ENG BRKT RH 2T	1	EA
5	SX621211	ENGINE MOUNT	2	EA
6	SX621212	ENGINE MOUNT	2	EA
7	SX626014	DROP BOX BRACKET	1	EA
8	W17S05	WASHER SPRING	4	EA
9	W17S06	WASHER SPRING	4	EA
10	W7S04	M10 NUT BZP	4	EA
11	W8S04G	BOLT	4	EA
12	W8S05G	BOLT	4	EA

SX2/3000, SXR3000



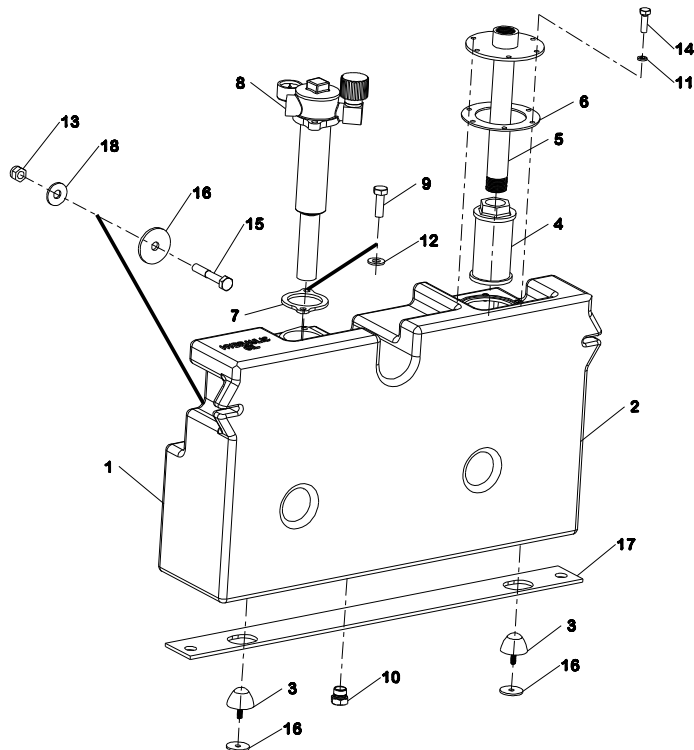
FOLDING ROPS FRAME AND REAR COVER

ITEM	PART NO.	DESCRIPTION	QTY	U/M
1	SX413059	ROPS 2-3T	1	EA
2	SX413052	ROPS 2-3T FOLDING	1	EA
3	SX413063	ROPS BOLT KIT (2-3T)	1	EA
4	SX609263	REAR GRILL SX3000	1	EA
5	SX452020	HOT CLIMATE KIT (ITEMS 6-11)	1	EA
6	SX452025	PLATE	1	EA
7	128M6	TEDDER WASHER	4	EA
8	W17S03	WASHER SPRING	4	EA
9	W11802B	SETSCREW	4	EA
10	SX452026	PLATE	1	EA
11	W101S02E	RIVET	6	EA
12	91621036	WASHER TEDDER	6	EA
13	SX413036	GAS STRUT	1	EA
14	W11S03B	SETSCREW	6	EA
15	W17S04	WASHER SPRING	6	EA
16	W267S05	WASHER BZP	2	EA
17	W59812	NUT NYLOC BZP	2	EA

SX2/3000, SXR3000

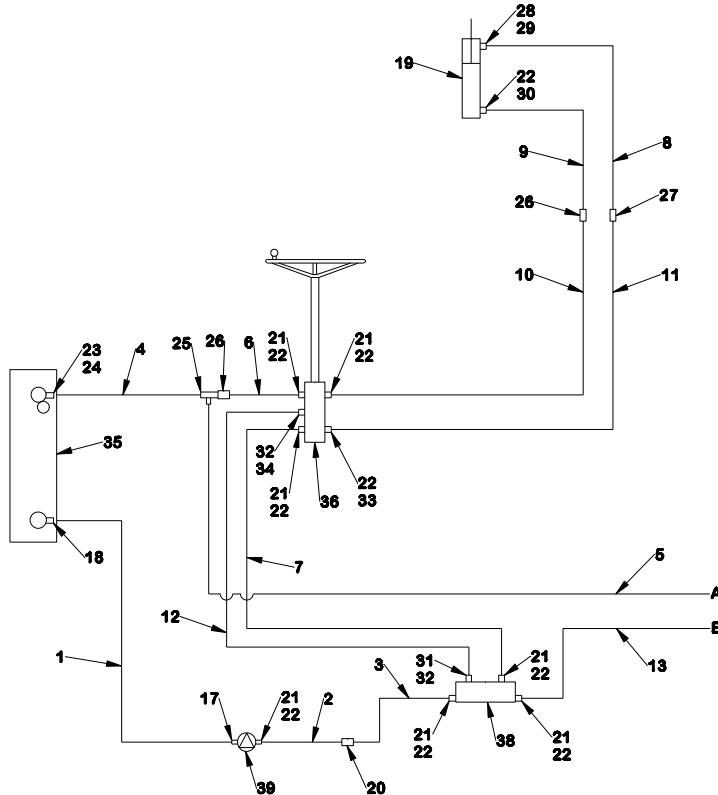


HYDRAULIC TANK



ITEM	PART NO.	DESCRIPTION	QTY	U/M
1	SX7050-3A	HYD TANK ASSY (ITEMS 2-11)	1	EA
2	SX705089A	HYD TANK	1	EA
3	SX609161	RUBBER BOSS	2	EA
4	SX705100	SUCTION FILTER	1	EA
5	SX705104	STAND PIPE SUCTION	1	EA
6	SX705121	STANDPIPE GASKET	1	EA
7	SX705155	GASKET	1	EA
8	SX705165	RETURN FILTER	1	EA
9	W11803C	SETScrew	2	EA
10	W127S04	PLUG BLANKING	1	EA
11	W17803	WASHER SPRING	6	EA
12	W267S05	WASHER BZP	2	EA
13	W59S12	NUT NYLOC BZP	2	EA
14	W8S02GG	BOLT	6	EA
15	W8S03F	BOLT	2	EA
16	91621036	WASHER TEDDER	4	EA
17	SX705020	RUBBER PAD	1	EA
18	128M8	TEDDER WASHER	2	EA

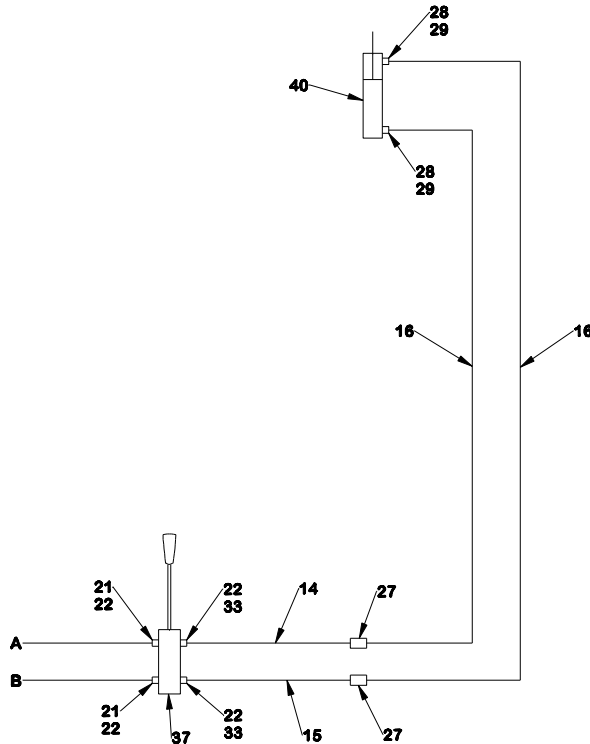
SCHEMATIC SX2/3000



HYDRAULIC SCHEMATICS

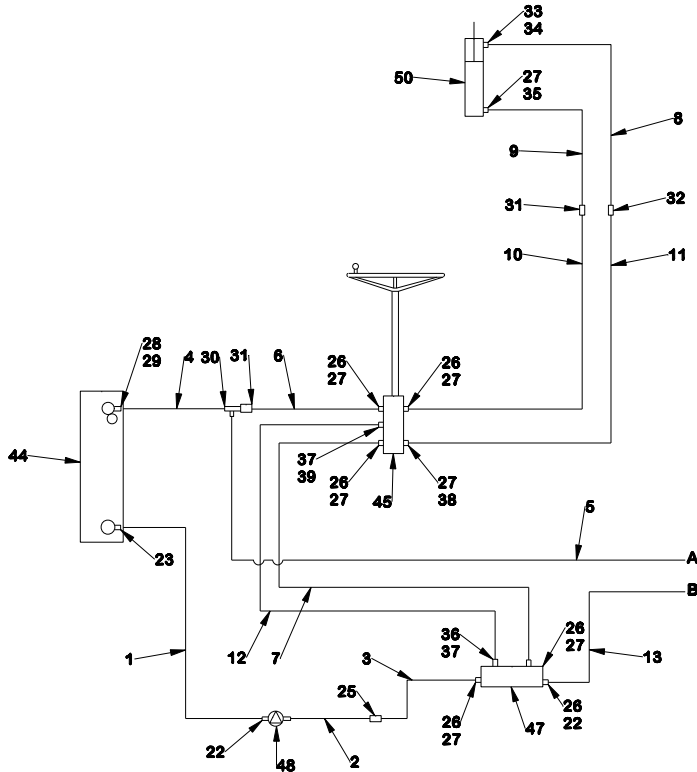
ITEM	PART NO.	DESCRIPTION	QTY	U/M
1	9442 2251	HOSE	1	EA
2	9442 2252	HOSE	1	EA
3	9442 2170	HOSE	1	EA
4	9442 2158	HOSE	1	EA
5	9442 2158	HOSE	1	EA
6	9442 2153	HOSE	1	EA
7	9442 2151A	HOSE	1	EA
8	9442 2165	HOSE	1	EA
9	9442 2171	HOSE	1	EA
10	9442 2166A	HOSE	1	EA
11	9442 2154A	HOSE	1	EA
12	9442 2150A	HOSE	1	EA
13	9442 2152	HOSE	1	EA
14	9442 2169	HOSE	1	EA
15	9442 2160	HOSE	1	EA
16	9442 2161	HOSE	2	EA
17	W122S06	3/4 FITTING	1	EA
18	W317S06	1" ELBOW	1	EA
19	SX7060/8	STEERING RAM	1	EA
20	SX705190	TEST POINT	1	EA
21	W122S04	1/2 CONN	9	EA
22	330P4	BONDED WASHER	13	EA
23	W119S13	3/4-1/2 ADAPTOR	1	EA
24	330P6	BONDED WASHER	2	EA
25	W154S03	TEE	1	EA
26	W93S02	BULKHEAD	1	EA

SCHEMATIC SX2/3000



ITEM	PART NO.	DESCRIPTION	QTY	U/M
27	W93S01	BULKHEAD	3	EA
28	W122S03	3/8 CONN	4	EA
29	330P3	BONDED WASHER	3	EA
30	W317S03	1/2 ELBOW	1	EA
31	W122S02	1/4 CONN	1	EA
32	330P2	BONDED WASHER	2	EA
33	W119S08	1/2 X 3/8 CONN	3	EA
34	W317S01	1/4 ELBOW	1	EA
35	SX7050/3A	HYD TANK	1	EA
36	SX688009	STEERING UNIT	1	EA
37	SX705051	TIP VALVE	1	EA
38	SX705052	PRIORITY VALVE	1	EA
39	SX705168	PUMP	1	EA
40	SX7070/23	TIP RAM	1	EA

SCHEMATIC SXR3000



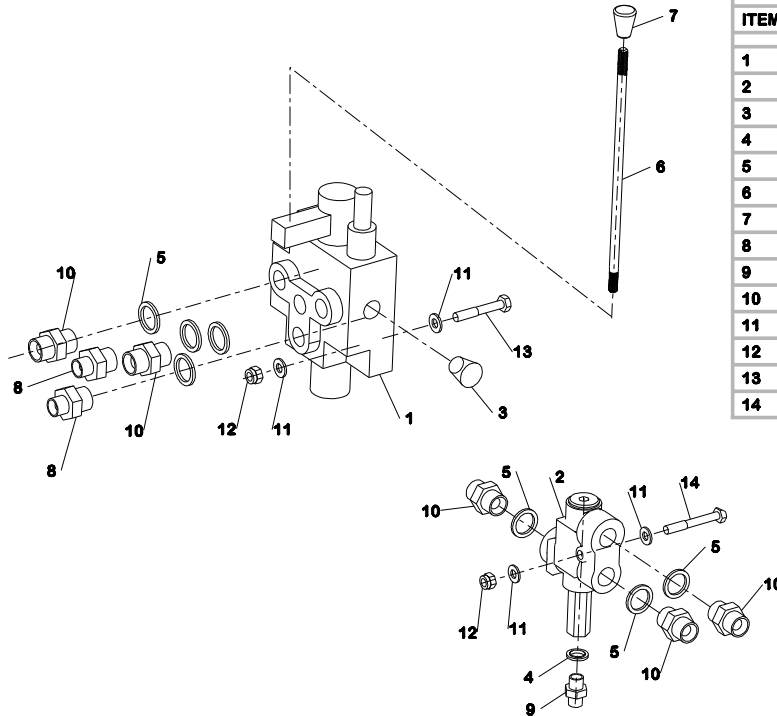
HYDRAULIC SCHEMATICS

ITEM	PART NO.	DESCRIPTION	QTY	U/M
1	9442 2251	HOSE	1	EA
2	9442 2252	HOSE	1	EA
3	9442 2170	HOSE	1	EA
4	9442 2158	HOSE	1	EA
5	9442 2153	HOSE	1	EA
6	9442 2157A	HOSE	1	EA
7	9442 2151A	HOSE	1	EA
8	9442 2155	HOSE	1	EA
9	9442 2171	HOSE	1	EA
10	9442 2156A	HOSE	1	EA
11	9442 2154A	HOSE	1	EA
12	9442 2150A	HOSE	1	EA
13	9442 2152	HOSE	1	EA
14	9442 2162	HOSE	1	EA
15	9442 2163	HOSE	1	EA
16	9442 2164	HOSE	1	EA
17	9442 2165	HOSE	1	EA
18	9442 2166	HOSE	1	EA
19	9442 2167	HOSE	1	EA
20	9442 2168	HOSE	2	EA
21	9442 2169	HOSE	2	EA
22	W122S06	3/4 CONN	1	EA
23	W317S06	1" ELBOW	1	EA
24	SX7070/20	SLEW RAM	2	EA
25	SX705190	TEST POINT	1	EA
26	W122S04	1/2 CONN	11	EA

SX2/3000

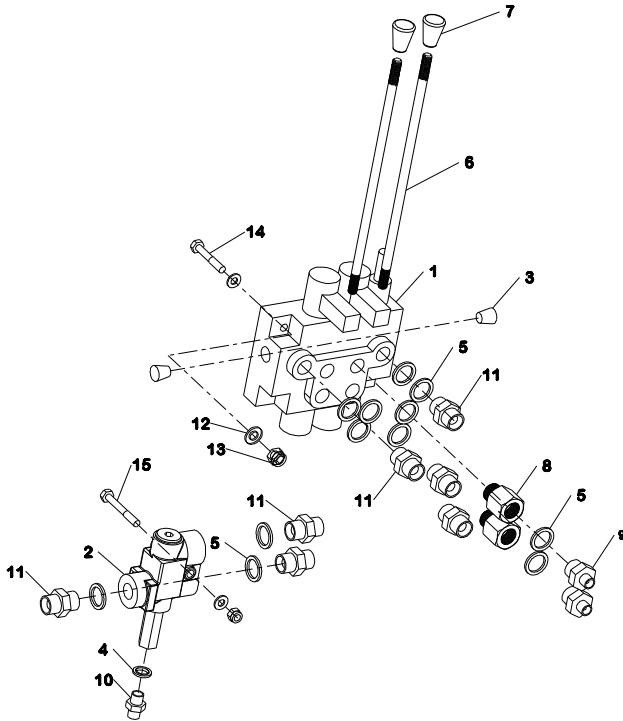


HYDRAULIC CONTROL VALVES



ITEM	PART NO.	DESCRIPTION	QTY	U/M
1	SX705071	TIP VALVE SINGLE SPOOL	1	EA
2	SX706162	PRIORITY VALVE	1	EA
3	197P4	PLUG	2	EA
4	330P2	BONDED SEAL	1	EA
5	330P4	BONDED SEAL	7	EA
6	ABP3005891	HANDLE SX5/8/7000 SXR5/6/7000	1	EA
7	ABP3005892	CAP END	1	EA
8	W119S08	ADAPTER M-M 3/4" BSP	2	EA
9	W122S02	ADAPTER M-M 3/4" BSP	1	EA
10	W122S04	ADAPTER M-M 3/4" BSP	5	EA
11	W267S05	WASHER BZP	8	EA
12	W59S12	NUT NYLOC BZP	4	EA
13	W8S03F	BOLT	3	EA
14	W8S03H	BOLT	1	EA

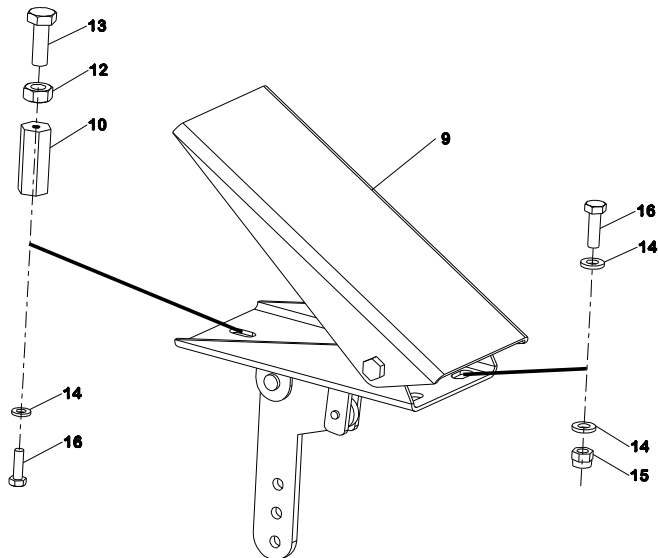
SXR3000



HYDRAULIC CONTROL VALVES

ITEM	PART NO.	DESCRIPTION	QTY	U/M
1	SX705072	TIP VALVE TWIN SPOOL	1	EA
2	SX705152	PRIORITY VALVE	1	EA
3	197P4	PLUG	2	EA
4	330P2	BONDED SEAL	1	EA
5	330P4	BONDED SEAL	12	EA
6	ABP3005891	HANDLE SX5/6/7000 SXR5/6/7000	2	EA
7	ABP3005892	CAP END	2	EA
8	SX705023	RESTRICTOR ADAPTER	2	EA
9	W119S04	ADAPTER M-M 3/4" BSP	2	EA
10	W122S02	ADAPTER M-M 3/4" BSP	1	EA
11	W122S04	ADAPTER M-M 3/4" BSP	7	EA
12	W267S05	WASHER B2P	8	EA
13	W59S12	NUT NYLOC BZP	4	EA
14	W8S03F	BOLT	3	EA
15	W8S03H	BOLT	1	EA

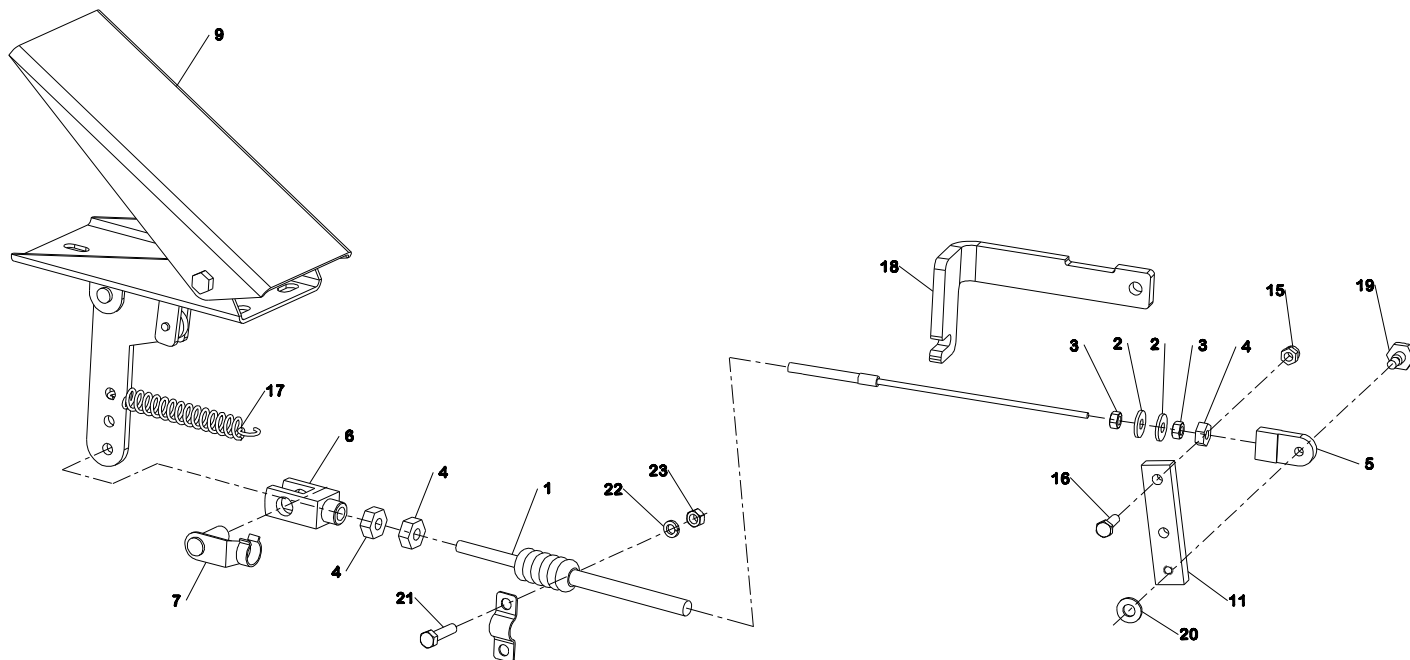
SX2/3000, SXR3000



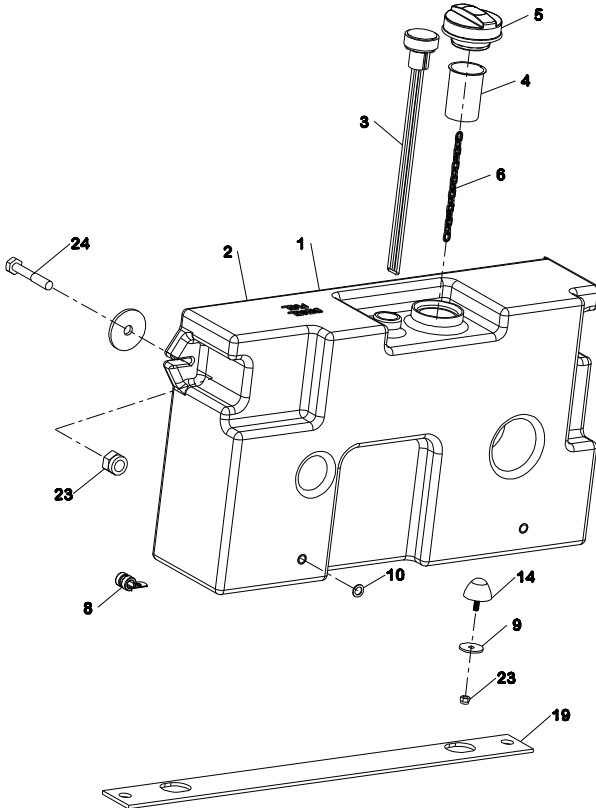
THROTTLE ASSEMBLY

ITEM	PART NO.	DESCRIPTION	QTY	U/M
1	SX683009	CABLE ASSY (ITEMS 2-7)	1	EA
2	128M6	TEDDER WASHER	2	EA
3	W7S02	M10 NUT BZP	2	EA
4	W239S04	NUT	3	EA
5	ABP3005218	SPADE END	1	EA
6	SX683007	CLEVIS	1	EA
7	SX683008	(A)SPRING PIN 3/8"	1	EA
9	1000695	PEDAL ACCL	1	EA
10	SX683021	SPACER - PEDAL STOP	1	EA
11	SX683015	THROTTLE LEVER (DEUTZ)	1	EA
12	W7S04	M10 NUT BZP	1	EA
13	W11804D	SETSCREW	1	EA
14	W267S04	WASHER BZP	5	EA
15	W59S14	NUT NYLOC BZP	3	EA
16	W11802B	SETSCREW	4	EA
17	1006821	SPRING	1	EA
18	SX683016	BRACKET	1	EA
19	SX683017	SETSCREW	1	EA
20	W267S05	WASHER BZP	1	EA
21	W11801B	SETSCREW	2	EA
22	W17S02	WASHER SPRING	2	EA
23	W7S01	M10 NUT BZP	2	EA

SX2/3000, SXR3000



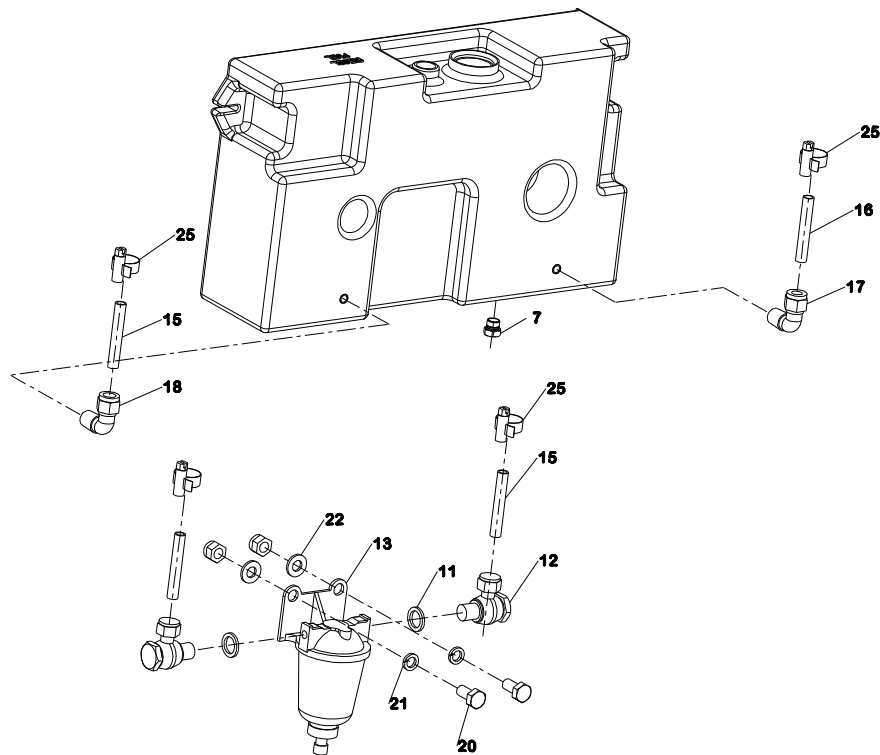
SX2/3000, SXR3000



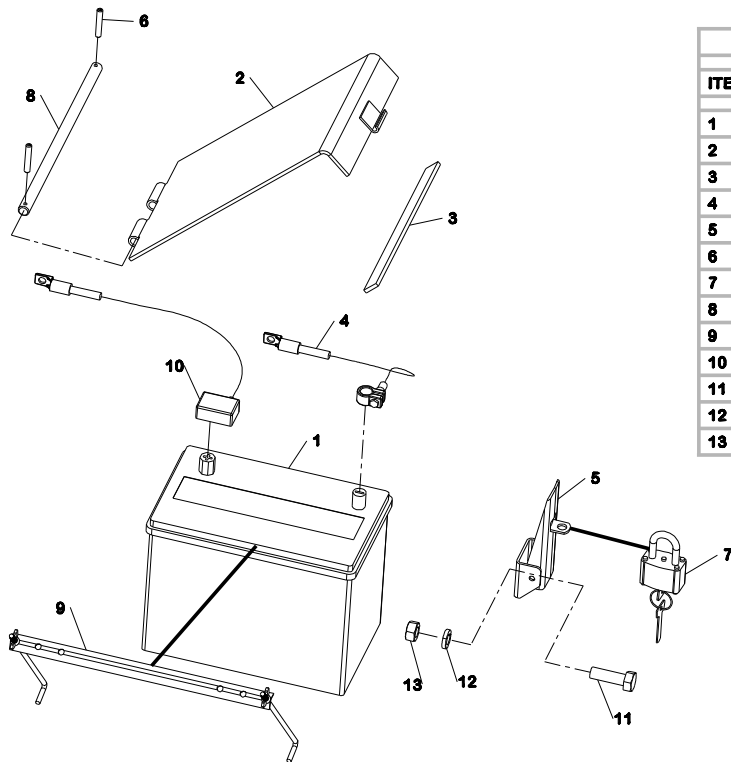
FUEL TANK ASSEMBLY

ITEM	PART NO.	DESCRIPTION	QTY	U/M
1	SX6220-2B	FUEL TANK ASSM 2-3T (ITEMS 2-7)	1	EA
2	SX622016A	FUEL TANK 2-3T	1	EA
3	SX622031	GAUGE LEVEL	1	EA
4	SX705117	STRAINER BASKET	1	EA
5	SX622026	FILLER CAP	1	EA
6	SX705117	CHAIN	1	EA
7	W127804	PLUG BLANKING	1	EA
8	1008640	P CLIP	1	EA
9	91621036	WASHER TEDDER	4	EA
10	035P2	FIBER WASHER	2	EA
11	126P5	WASHER	2	EA
12	219P13	UNION BANJO	2	EA
13	PR753	FILTER SEDIMENT	1	EA
14	SX809161	RUBBER BOSS	2	EA
15	SX622014	PIPE	3	EA
16	SX622018	PIPE	1	EA
17	SX622032A	ELBOW 1/4" BSP X 8MM	1	EA
18	SX622033	ELBOW 1/4" BSP X 1/4" TUBE	1	EA
19	SX705020	RUBBER PAD	1	EA
20	W11S03A	SETSCREW	2	EA
21	W17S04	WASHER SPRING	2	EA
22	W267S05	WASHER BZP	2	EA
23	W59S12	NUT NYLOC BZP	6	EA
24	W8S03F	BOLT	2	EA
25	W97S01	HOSE CLIP	4	EA

SX2/3000, SXR3000



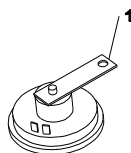
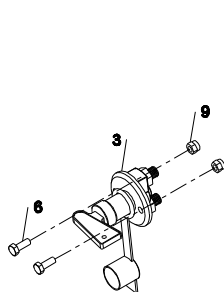
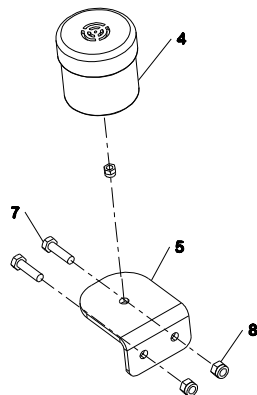
SX2/3000, SXR3000



BATTERY AND FIXINGS

ITEM	PART NO.	DESCRIPTION	QTY	U/M
1	P67721-38	BATTERY	1	EA
2	SX609205	BATT BOX LID	1	EA
3	92882	RUBBER STRIP	1	EA
4	1006685	CBL BATTERY EARTH LEAD	1	EA
5	91710554	STRIKE	1	EA
6	295M03-18	TENSION PIN	2	EA
7	530P	PADLOCK	1	EA
8	SX609200	HINGE PIN	1	EA
9	SX715005	BATTERY CLAMP	1	EA
10	SX715081	CBL BATTERY EARTH LEAD	1	EA
11	W11S01A	SETSCREW	2	EA
12	W17S02	WASHER SPRING	2	EA
13	W7801	M10 NUT BZP	2	EA

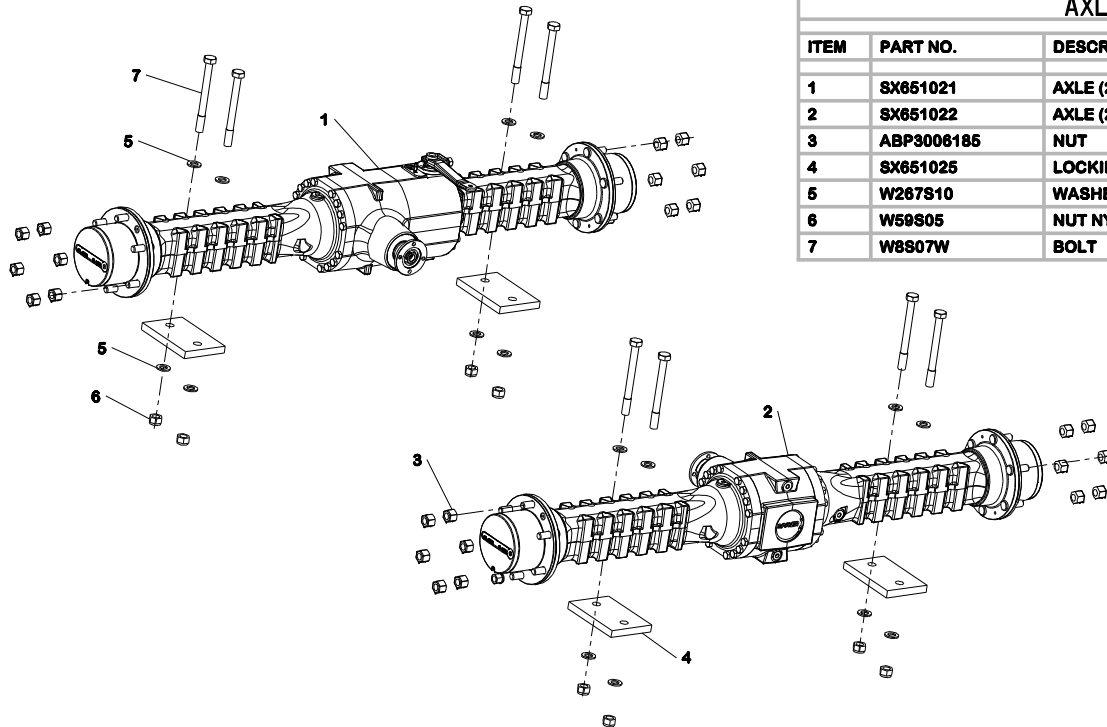
SX2/3000, SXR3000



ELECTRIC GENERAL

ITEM	PART NO.	DESCRIPTION	QTY	U/M
1	92513A	HORN	1	EA
2	P282175-12	HOURS METER	1	EA
3	P264115-26	BATTERY ISOLATOR	1	EA
4	SX715012	REVERSE BLEEPER	1	EA
5	SX715086	BRACKET	1	EA
6	W11802A	SETSCREW	2	EA
7	W11803D	SETSCREW	2	EA
8	W59812	NUT NYLOC BZP	2	EA
9	W59814	NUT NYLOC BZP	3	EA
N/A	SX715082	BEACON LOOM	1	EA
N/A	SX715104	ENGINE LOOM	1	EA
N/A	SX715083	REVERSE BLEEPER LOOM	1	EA

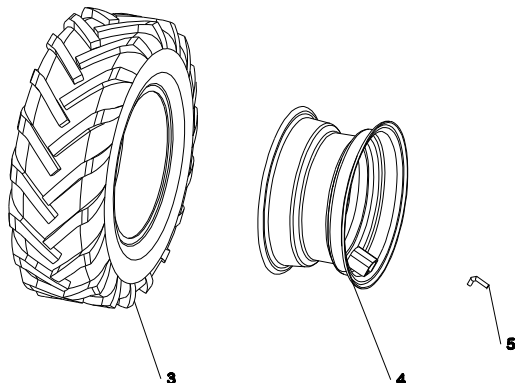
SX2/3000, SXR3000



AXLES

ITEM	PART NO.	DESCRIPTION	QTY	U/M
1	SX651021	AXLE (2-3T FRONT) DANA	1	EA
2	SX651022	AXLE (2-3T REAR) DANA	1	EA
3	ABP9008185	NUT	24	EA
4	SX651025	LOCKING PLATE	4	EA
5	W267S10	WASHER BZP	16	EA
6	W59S05	NUT NYLOC BZP	8	EA
7	W8S07W	BOLT	8	EA

SX2/3000, SXR3000

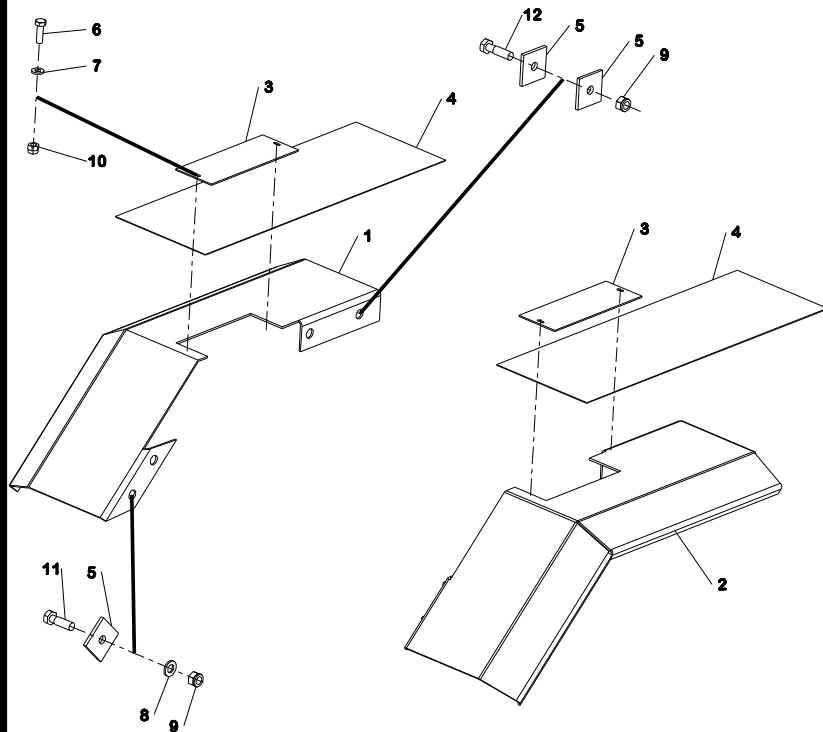


**FOR NON STANDARD WHEELS AND TYRES
PLEASE CONTACT YOUR DEALER QUOTING
YOUR MACHINE SERIAL NUMBER**

WHEELS AND TYRES

ITEM	PART NO.	DESCRIPTION	QTY	U/M
SX2000				
1	SX6750/70	TYRE ASS RH	2	EA
2	SX6750/69	TYRE ASS LH	2	EA
3	SX675047	TYRE 10.0/75-15.3 TUBELESS	4	EA
4	SX675060	2T RIM (DANA AXLE)	4	EA
5	SX675063	VALVE 2 & 3 T	4	EA
SX3000, SXR3000				
1	SX6750-72	WHEEL ASSY RH	2	EA
2	SX6750-71	WHEEL ASSY LH	2	EA
3	SX675049	TYRE 11.5/80-15.3 10PR TRAC AC	4	EA
4	SX675061	3T RIM (DANA AXLE)	4	EA
5	SX675063	VALVE 2 & 3 T	4	EA

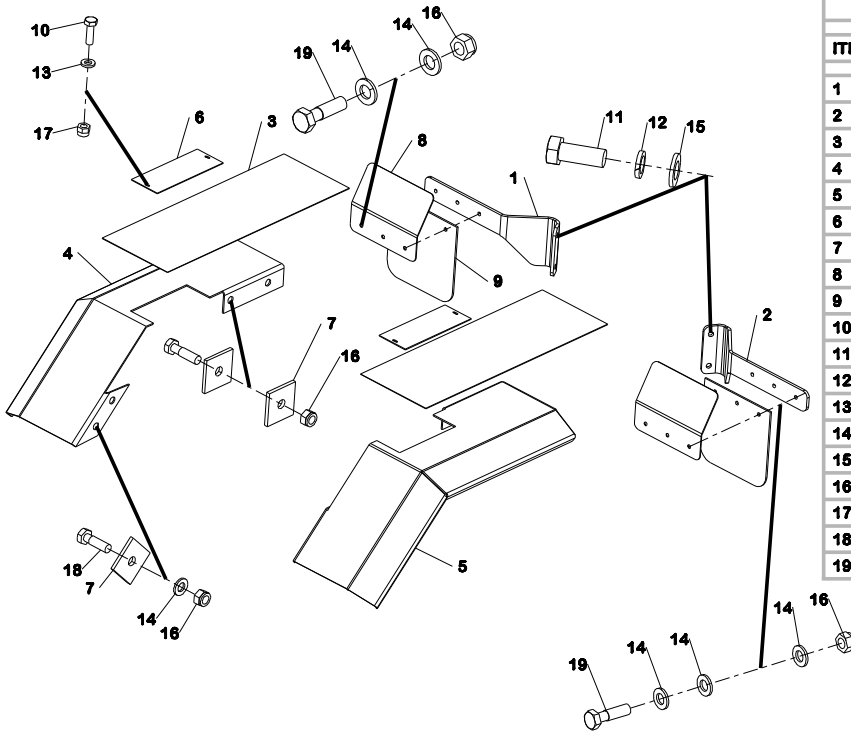
SX2/3000



MUD GUARDS

ITEM	PART NO.	DESCRIPTION	QTY	U/M
1	SX609114	WING LH	1	EA
2	SX609115	WING RH	1	EA
3	SX609120	BLANK PLATE	2	EA
4	181-201-01_04	SAFTEY WALK 1000MM	2	EA
5	SX609143	WASHER	12	EA
6	W11S02B	SETSCREW	4	EA
7	W267S04	WASHER BZP	4	EA
8	W267S07	WASHER BZP	4	EA
9	W59S04	NUT NYLOC BZP	8	EA
10	W59S14	NUT NYLOC BZP	4	EA
11	W8S05D	BOLT	4	EA
12	W8S05E	BOLT	4	EA

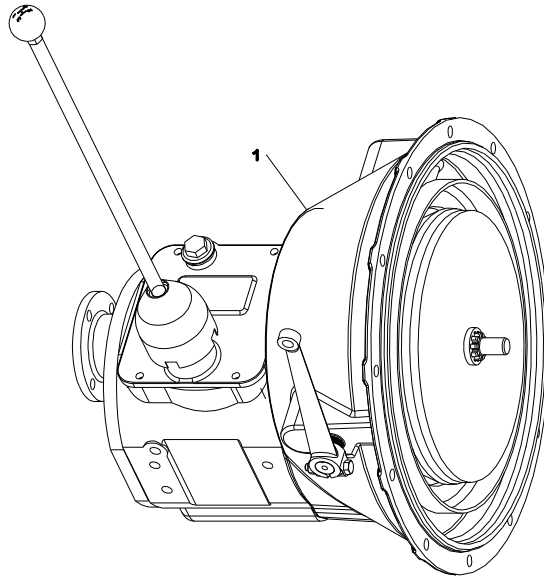
SXR3000



MUD GUARDS ROTA

ITEM	PART NO.	DESCRIPTION	QTY	U/M
1	SX809271	MUDGUARD LH	1	EA
2	SX809272	MUDGUARD RH	1	EA
3	181-201-01_04	SAFETY WALK 1000MM	2	EA
4	SX809114	WING LH	1	EA
5	SX809115	WING RH	1	EA
6	SX809120	BLANK PLATE	2	EA
7	SX809143	WASHER	12	EA
8	SX809273	MUDSHIELD	2	EA
9	SX809274	MUDFLAP	2	EA
10	W11802B	SETSCREW	4	EA
11	W11806F	SETSCREW	4	EA
12	W17808	WASHER SPRING	4	EA
13	W267804	WASHER BZP	4	EA
14	W267807	WASHER BZP	19	EA
15	W267809	WASHER BZP	4	EA
16	W59804	NUT NYLOC BZP	14	EA
17	W59814	NUT NYLOC BZP	4	EA
18	W8805D	BOLT	4	EA
19	W8805E	BOLT	10	EA

SX2/3000, SXR3000

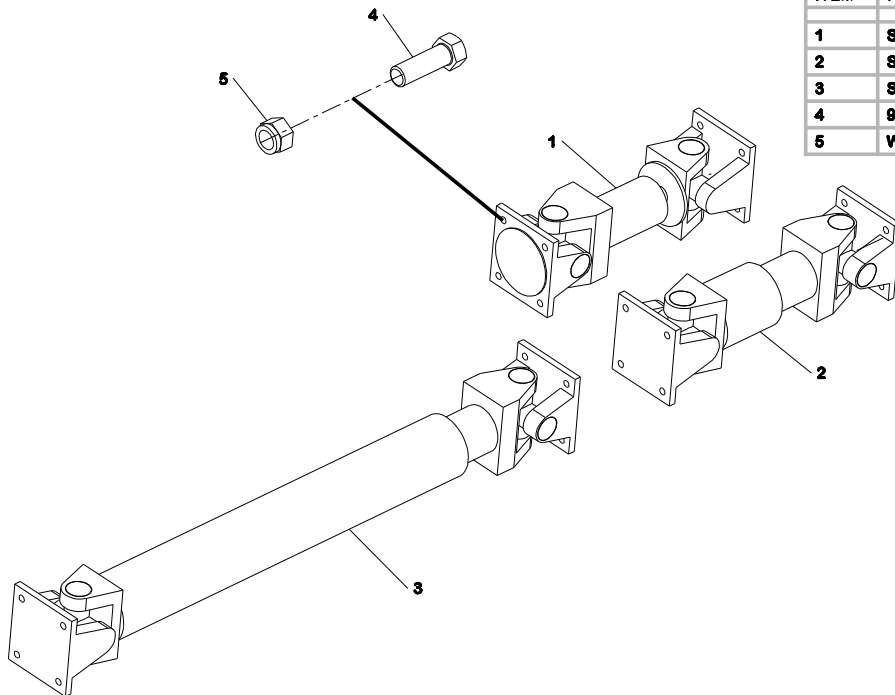


TRANSMISSION

ITEM	PART NO.	DESCRIPTION	QTY	U/M
1	SX626051	GEARBOX 85 M (3T DEUTZ)	1	EA
N/A	SX626011	CLIP	A/R	EA
N/A	MX626016/2	BEARING	A/R	EA
N/A	SX626031-01	COVER ASSY	A/R	EA
N/A	SX626009	DRIVEN PLATE	A/R	EA

PLEASE CONTACT
BARFORD SITE DUMPERS
QUOTING YOUR TRANSMISSION
SERIAL NUMBER

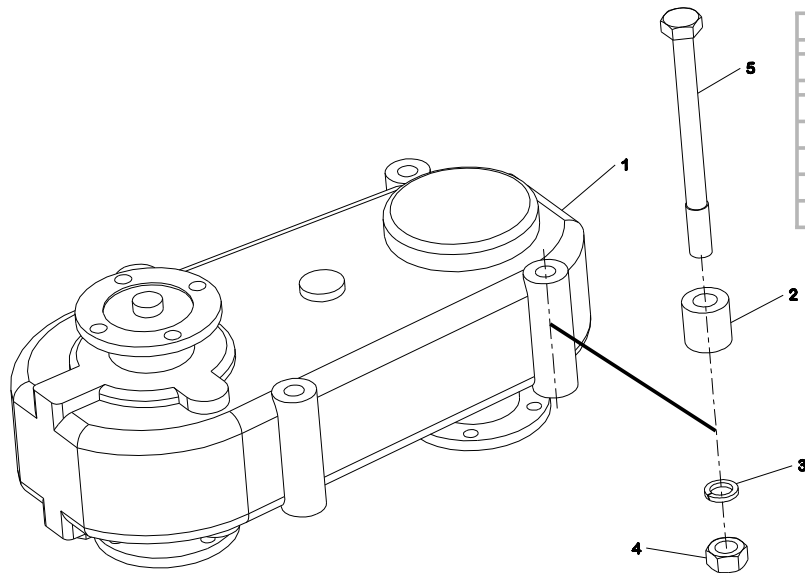
SX2/3000, SXR3000



PROP SHAFTS

ITEM	PART NO.	DESCRIPTION	QTY	U/M
1	SX645022	PROPSHAFT	1	EA
2	SX645026	PROPSHAFT	1	EA
3	SX645025	PROPSHAFT	1	EA
4	91120139	BOLT	24	EA
5	W107803	NUT NYLOC	24	EA

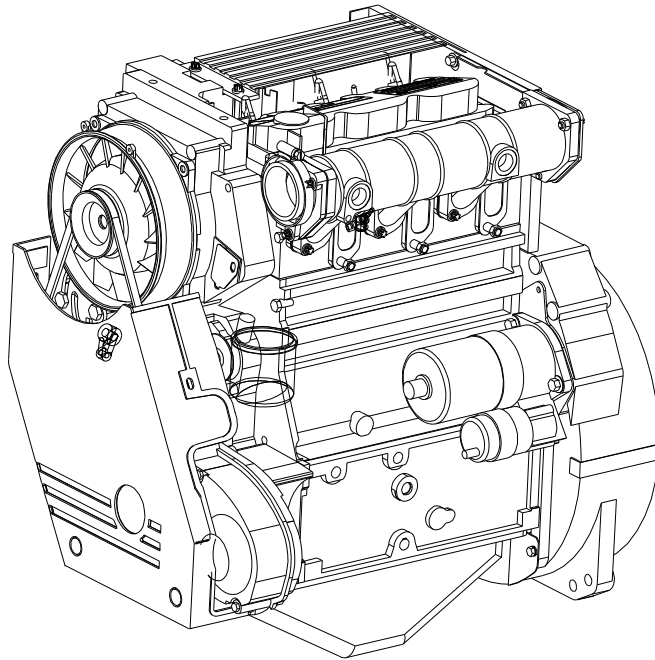
SX2/3000, SXR3000



DROP BOX

ITEM	PART NO.	DESCRIPTION	QTY	U/M
1	SX626024	TRANSFER BOX - 1.6/1	1	EA
2	SX626021	SPACER (DROP BOX)	4	EA
3	W17S06	WASHER SPRING	4	EA
4	W7S05	M10 NUT B2P	4	EA
5	W8S05T	BOLT	4	EA

SX2/3000, SXR3000



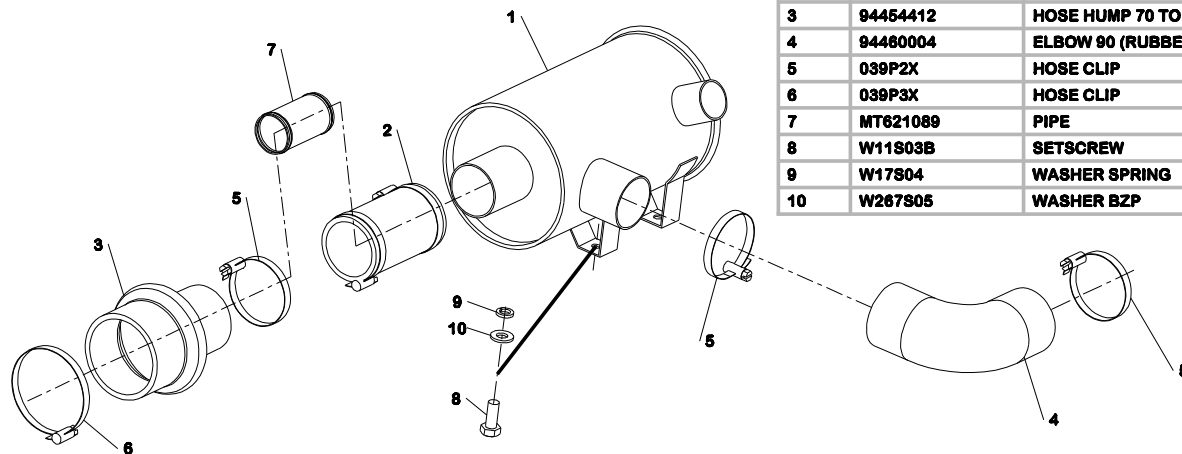
**PLEASE SEE ENGINE MANUAL AND CONTACT
YOUR LOCAL DEALER WITH YOUR ENGINE
SERIAL NUMBER.**

SX2/3000, SXR3000

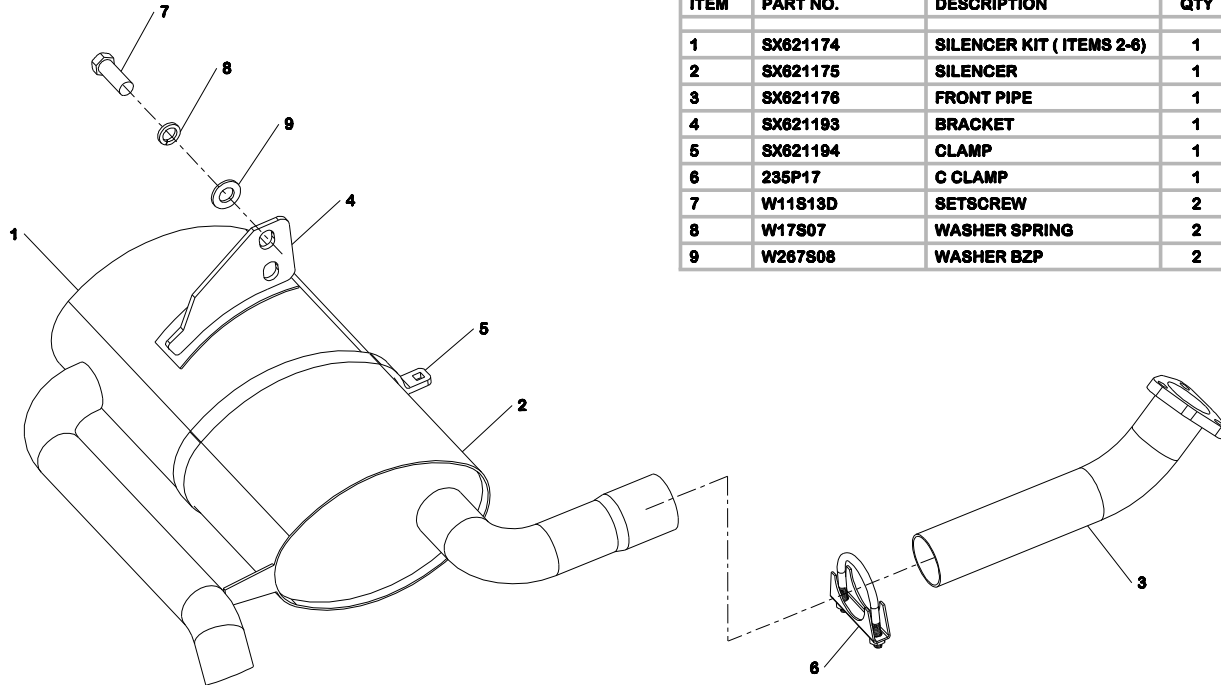


AIR CLEANER

ITEM	PART NO.	DESCRIPTION	QTY	U/M
1	SX621116	AIR CLEANER	1	EA
2	165-133-32-4	HOSE	1	EA
3	94454412	HOSE HUMP 70 TO 51MM	1	EA
4	94460004	ELBOW 90 (RUBBER) 2"	1	EA
5	039P2X	HOSE CLIP	5	EA
6	039P3X	HOSE CLIP	1	EA
7	MT621089	PIPE	1	EA
8	W11S03B	SETSCREW	4	EA
9	W17S04	WASHER SPRING	4	EA
10	W267S05	WASHER BZP	4	EA



SX3000, SXR3000



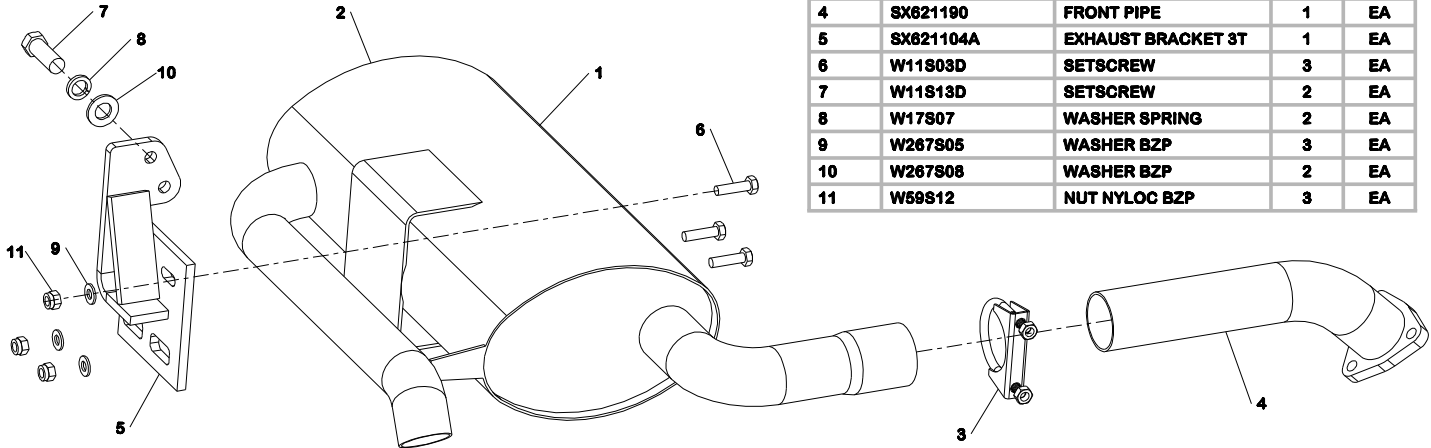
EXHAUST

ITEM	PART NO.	DESCRIPTION	QTY	U/M
1	SX621174	SILENCER KIT (ITEMS 2-6)	1	EA
2	SX621175	SILENCER	1	EA
3	SX621176	FRONT PIPE	1	EA
4	SX621193	BRACKET	1	EA
5	SX621194	CLAMP	1	EA
6	235P17	C CLAMP	1	EA
7	W11S13D	SETSCREW	2	EA
8	W17S07	WASHER SPRING	2	EA
9	W267S08	WASHER BZP	2	EA

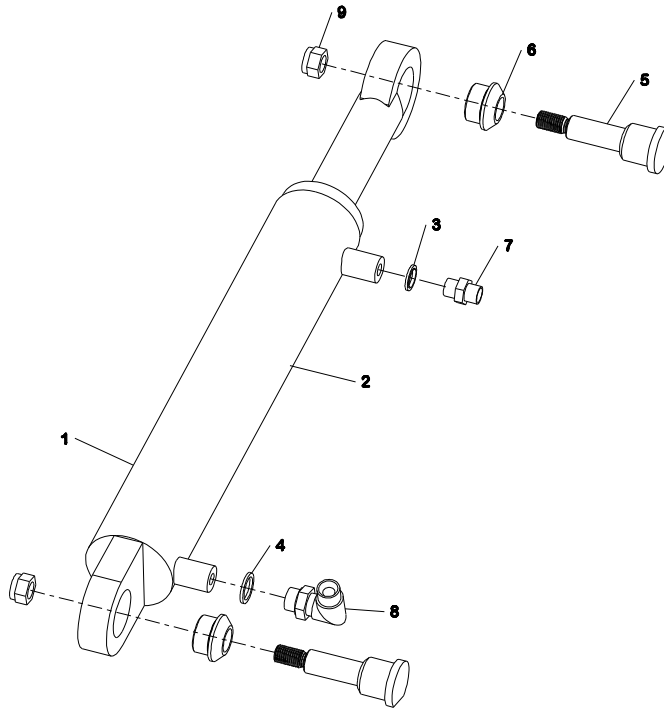
EXHAUST SX2000



EXHAUST				
ITEM	PART NO.	DESCRIPTION	QTY	U/M
1	SX621188	MUFFLER ASSY (ITEM 2-4)	1	EA
2	SX621189	SILENCER	1	EA
3	235P17	C CLAMP	1	EA
4	SX621190	FRONT PIPE	1	EA
5	SX621104A	EXHAUST BRACKET 3T	1	EA
6	W11S03D	SETSCREW	3	EA
7	W11S13D	SETSCREW	2	EA
8	W17S07	WASHER SPRING	2	EA
9	W267S05	WASHER BZP	3	EA
10	W267S08	WASHER BZP	2	EA
11	W59S12	NUT NYLOC BZP	3	EA



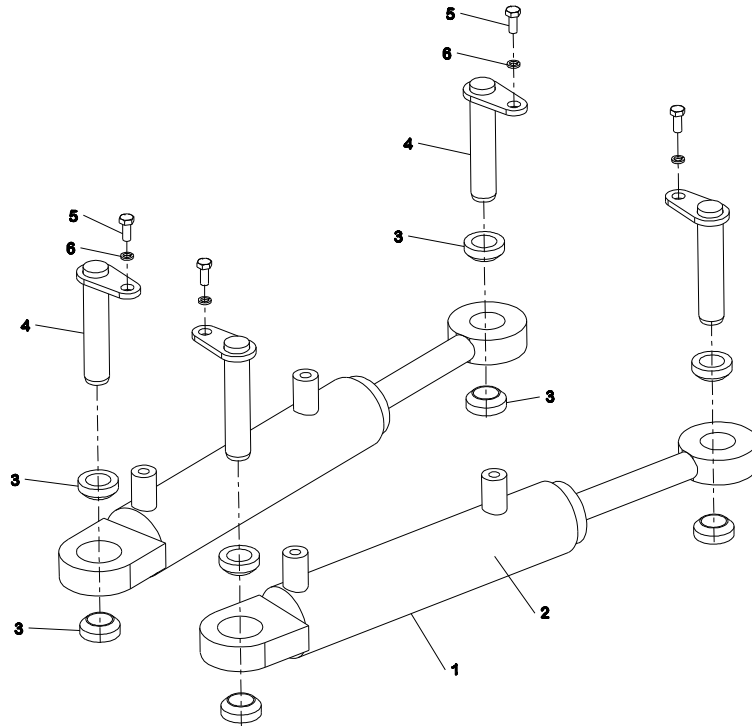
SX2/3000, SXR3000



STEERING RAM

ITEM	PART NO.	DESCRIPTION	QTY	U/M
1	SX7060-8	RAM	1	EA
2	ABP3005129	RAM SEAL KIT SK 913	1	EA
3	330P3	BONDED SEAL	1	EA
4	330P4	BONDED SEAL	1	EA
5	SX609055	STEER RAM PIN	2	EA
6	SX609056	STEER RAM BUSH	2	EA
7	W122S03	ADAPTER M-M 3/4" BSP	1	EA
8	W317S03	ELBOW 1/2" BSP	1	EA
9	W59S11	NUT NYLOC BZP	2	EA

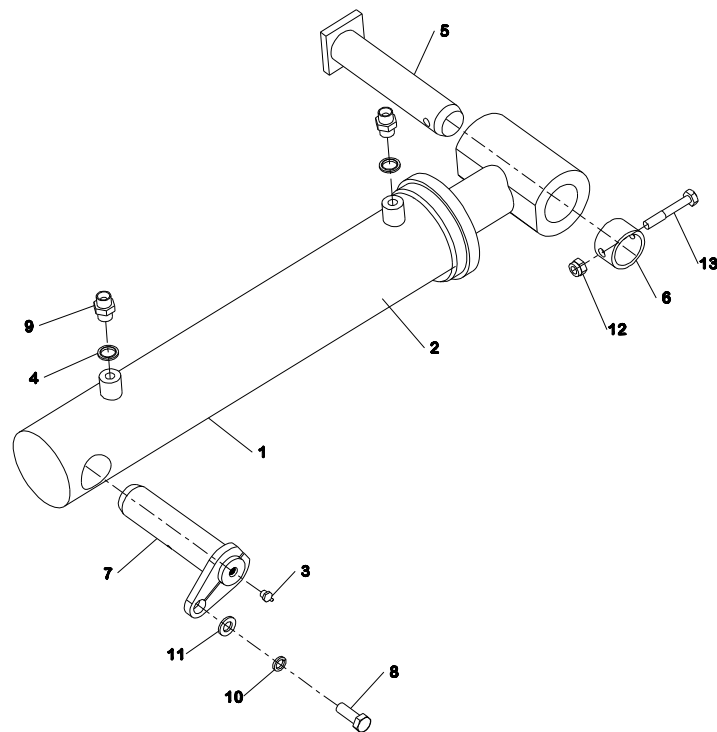
SXR3000



SLEW RAM

ITEM	PART NO.	DESCRIPTION	QTY	U/M
1	SX7070-20	RAM	2	EA
2	ABP3005127	RAM SEAL KIT SK922	2	EA
3	SX609087	RAM SPACER	8	EA
4	SX707058	PIN SWIVEL RAM	4	EA
5	W11S03B	SETSCREW	4	EA
6	W17S04	WASHER SPRING	4	EA

SX2/3000



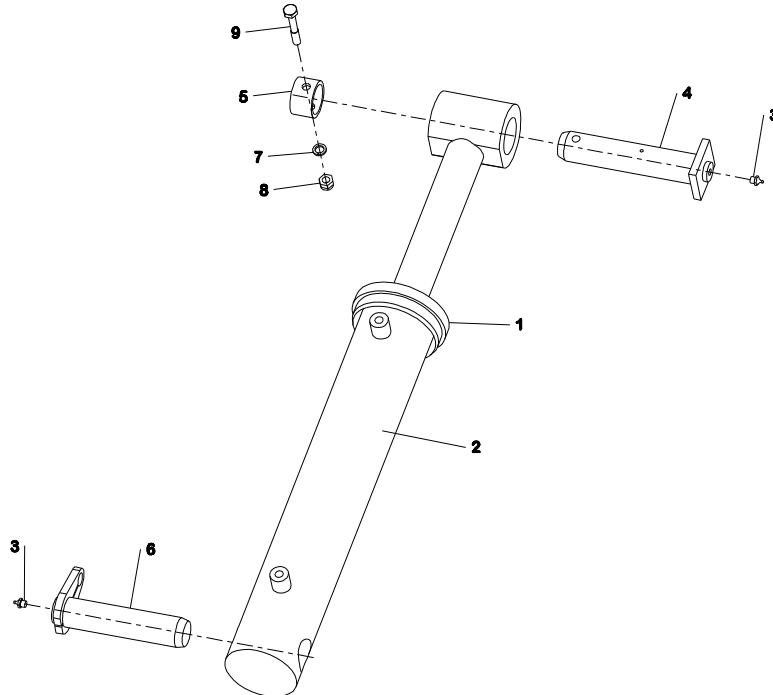
TIP RAM

ITEM	PART NO.	DESCRIPTION	QTY	U/M
1	SX7070-23	RAM	1	EA
2	ABP3005132	RAM SEAL KIT 920	1	EA
3	031P1	GREAS NIPPLE 1/8" BSPF	2	EA
4	330P3	BONDED SEAL	2	EA
5	SX696065A	TIP PIVOT PIN	1	EA
6	SX696077	COLLAR	1	EA
7	SX707005A	TIP RAM PIN	1	EA
8	W11S05E	SETSCREW	1	EA
9	W122S03	ADAPTER M-M 3/4" BSP	2	EA
10	W17S06	WASHER SPRING	1	EA
11	W267S07	WASHER BZP	1	EA
12	W59S03	NUT NYLOC BZP	1	EA
13	W8S04J	BOLT	1	EA

SXR3000

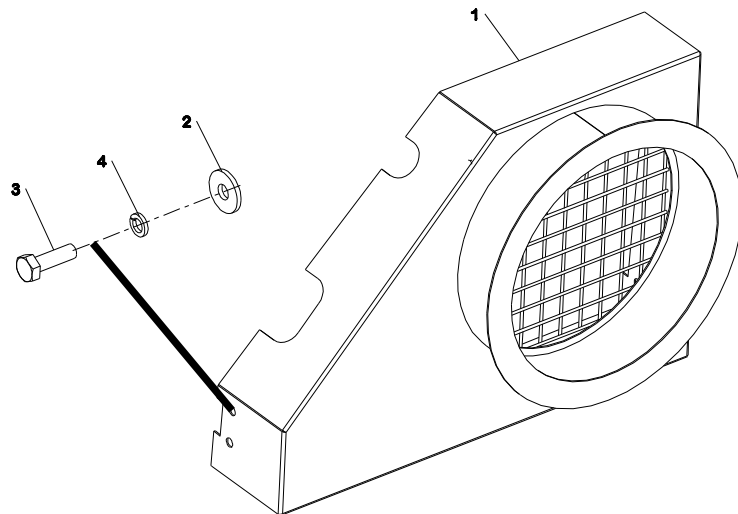


TIP RAM ROTA



ITEM	PART NO.	DESCRIPTION	QTY	U/M
1	SX7070-24	RAM	1	EA
2	ABP3005132	RAM SEAL KIT 920	1	EA
3	031P1	GREAS NIPPLE 1/8" BSPF	2	EA
4	SX696065A	TIP PIVOT PIN	1	EA
5	SX696077	COLLAR	1	EA
6	SX707005A	TIP RAM PIN	1	EA
7	W17S06	WASHER SPRING	1	EA
8	W59S03	NUT NYLOC BZP	1	EA
9	W8S04J	BOLT	1	EA

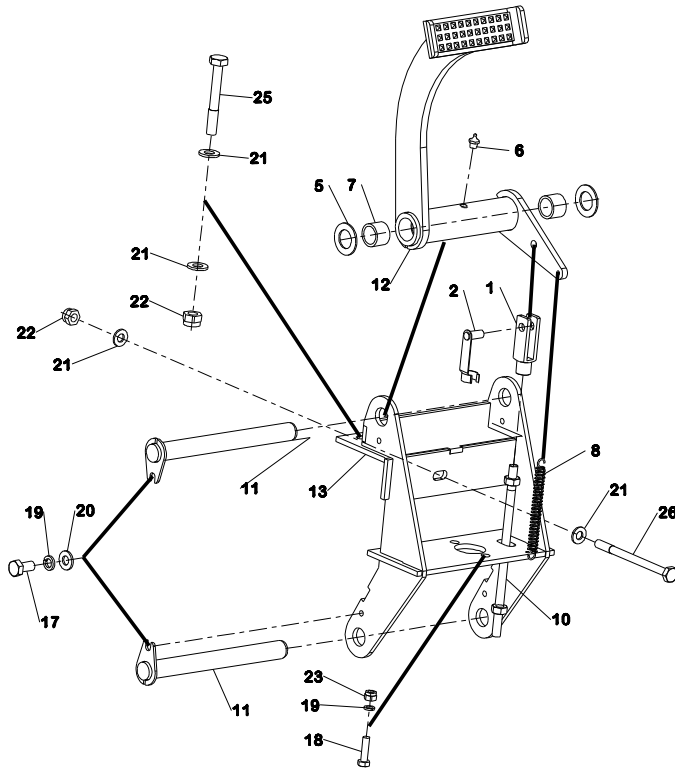
SX2/3000, SXR3000



AIR DUCT

ITEM	PART NO.	DESCRIPTION	QTY	U/M
1	SX609187	DUCT BOX 2T	1	EA
1	SX609186	DUCT BOX 3T	1	EA
2	128M6	TEDDER WASHER	4	EA
3	W11902B	SETSCREW	4	EA
4	W17903	WASHER SPRING	4	EA

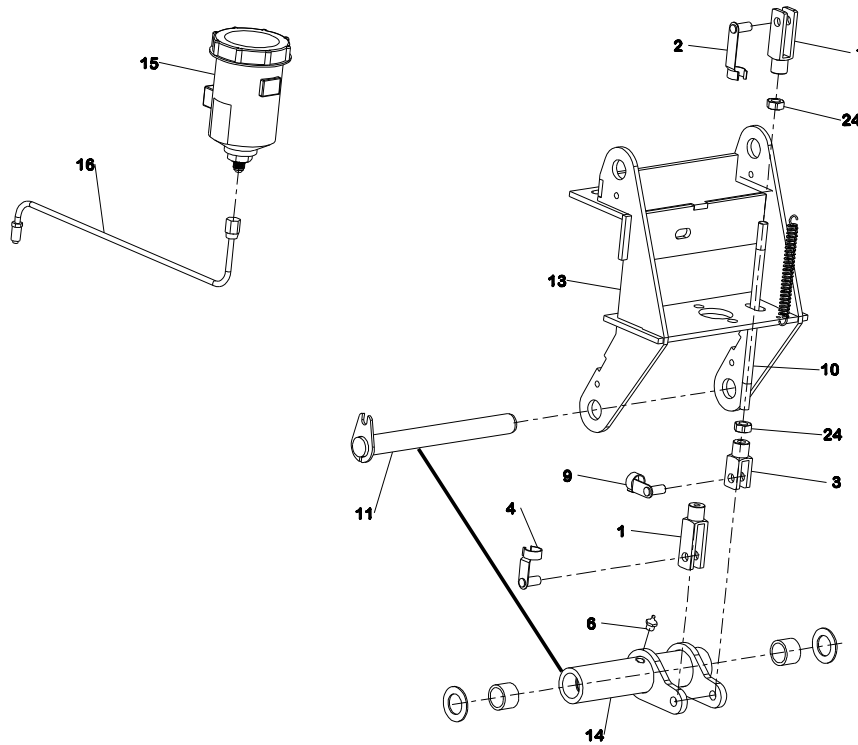
SX2/3000, SXR3000



BRAKES

ITEM	PART NO.	DESCRIPTION	QTY	U/M
1	92328	CLEVIS	2	EA
2	92331	CLEVIS	1	EA
3	92332	FORK HEAD	1	EA
4	92333	PIN SPRING	1	EA
5	91620032	PLATED WASHER	4	EA
6	031P1	GREAS NIPPLE 1/8" BSPF	2	EA
7	190M44-20	OIL RETAINING BUSH	4	EA
8	91026G	SPRING	1	EA
9	SX682027	(A)SPRING PIN 3/8"	1	EA
10	SX682031	BRAKE ROD	1	EA
11	SX682062	PIVOT PIN	2	EA
12	SX682063	PEDAL	1	EA
13	SX682075B	BRACKET	1	EA
14	SX682085	LEVER BAR	1	EA
15	SX682106	RESEVOIR	1	EA
16	SX682140	PIPE	1	EA
17	W11903A	SETSCREW	2	EA
18	W11903D	SETSCREW	2	EA
19	W17904	WASHER SPRING	4	EA
20	W267S05	WASHER BZP	2	EA
21	W267S06	WASHER BZP	6	EA
22	W59S03	NUT NYLOC BZP	3	EA
23	W59S12	NUT NYLOC BZP	4	EA
24	W7S04	M10 NUT BZP	2	EA
25	W8S04L	BOLT	2	EA
26	W8S04S	BOLT	1	EA

SX2/3000, SXR3000

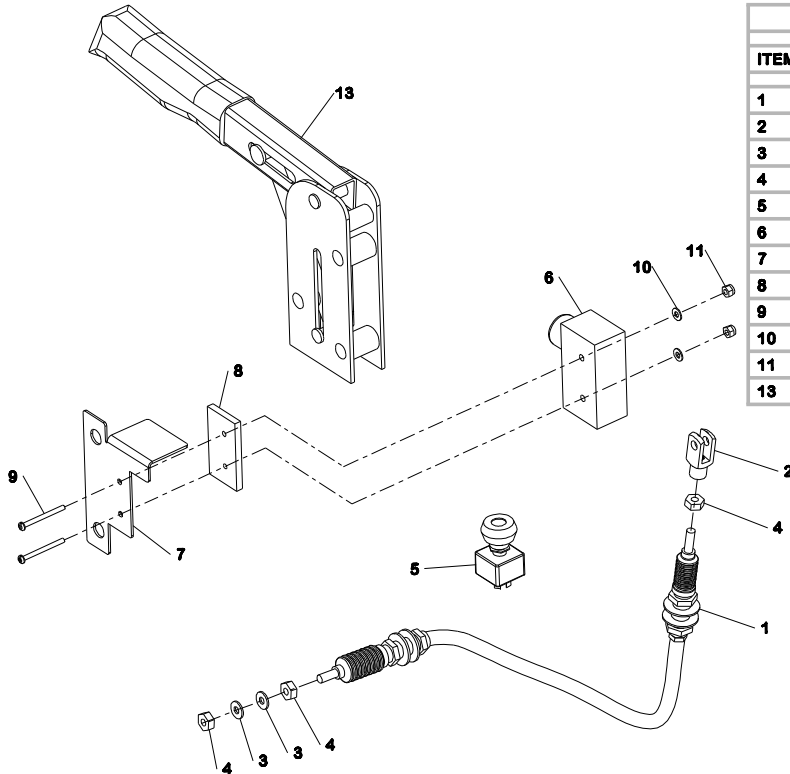


SX2/3000, SXR3000

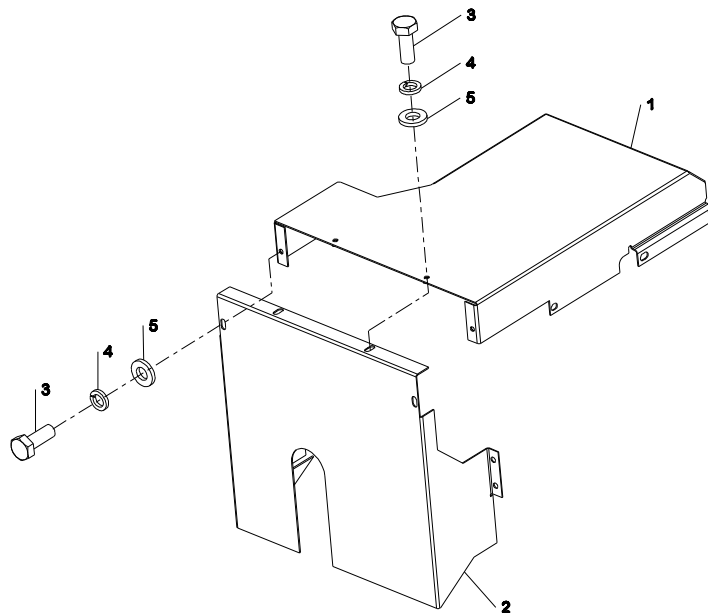


PARKING BRAKE

ITEM	PART NO.	DESCRIPTION	QTY	U/M
1	SX682103	CABLE HANDBRAKE (ITEMS 2-4)	1	EA
2	62310	FORK HEAD	1	EA
3	026P2-SD	PLIAN WASHERS/16 INS.	2	EA
4	142P105	NUT	3	EA
5	P264112-42	ROTARY SWITCH	1	EA
6	P264119-34	MICRO SWITCH	1	EA
7	SX609139	COVER	1	EA
8	SX609142	HANDBRAKE W/S SPACER	1	EA
9	W16S03F	PANHEAD SCREW	2	EA
10	W267801	WASHER BZP	2	EA
11	W59S01	NUT NYLOC BZP	2	EA
13	50221	LEVER HANDBRAKE	1	EA



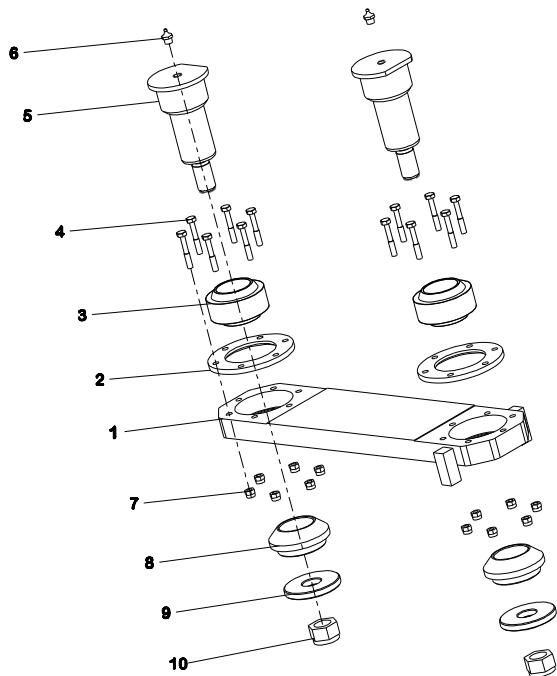
SX2/3000, SXR3000



ENGINE COVERS

ITEM	PART NO.	DESCRIPTION	QTY	U/M
1	SX616036	AIR DUCT TOP COVER 2T	1	EA
2	SX636067	AIR DUCT SIDE COVER 2T	1	EA
1	SX616032	AIR DUCT TOP COVER 3T	1	EA
2	SX616033	AIR DUCT SIDE COVER 3T	1	EA
3	W11802A	SETSCREW	4	EA
4	W17803	WASHER SPRING	4	EA
5	W267804	WASHER BZP	4	EA

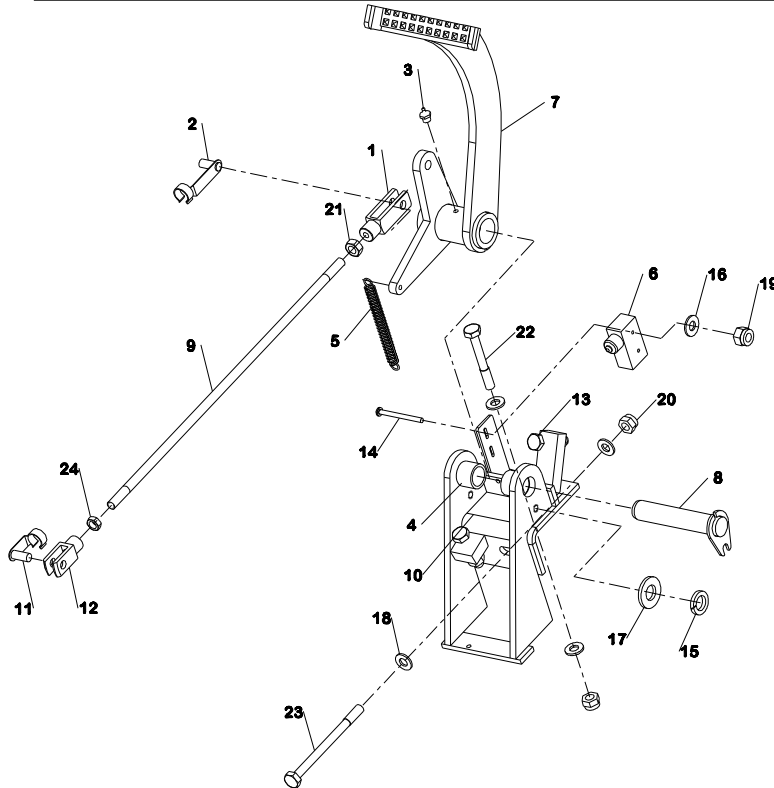
SX2/3000, SXR3000



TOP LINKS AND PINS

ITEM	PART NO.	DESCRIPTION	QTY	U/M
1	SX609049	TOP LINK	1	EA
2	SX609047	BEARING CAP	2	EA
3	SX609009	(A)45 I/D SPH BEARING	2	EA
4	W8S02D	BOLT	12	EA
5	SX609044	TOP PIN	2	EA
6	031P1	GREAS NIPPLE 1/8" BSPF	2	EA
7	W59S14	NUT NYLOC BZP	12	EA
8	SX609046	TOP BUSH	2	EA
9	SX609050	TOP WASHER	2	EA
10	W59S05	NUT NYLOC BZP	2	EA

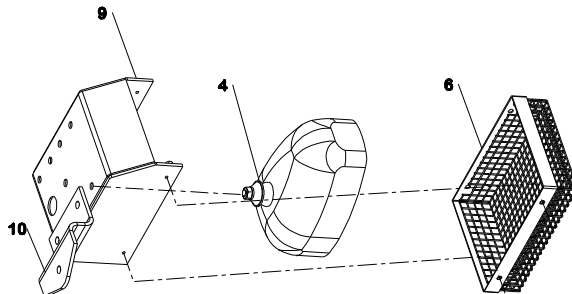
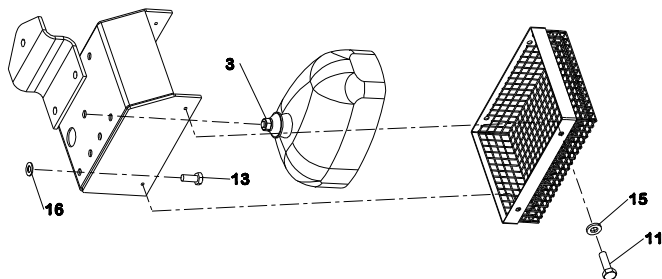
SX2/3000, SXR3000



CLUTCH PEDAL

ITEM	PART NO.	DESCRIPTION	QTY	U/M
1	92328	CLEVIS	1	EA
2	92331	CLEVIS	1	EA
3	031P1	GREAS NIPPLE 1/8" BSPF	1	EA
4	190M44-20	OIL RETAINING BUSH	2	EA
5	91026G	SPRING	1	EA
6	P264119-34	MICRO SWITCH	1	EA
7	SX626016	CLUTCH PEDAL	1	EA
8	SX626017	PIVOT PIN	1	EA
9	SX626054	CLUTCH ROD	1	EA
10	SX626063	CLUTCH BRACKET	1	EA
11	SX682027	(A)SPRING PIN 3/8"	1	EA
12	SX682028	CLEVIS	1	EA
13	W11S04H	SETSCREW	2	EA
14	W16S03F	PANHEAD SCREW	2	EA
16	W17S04	WASHER SPRING	1	EA
16	W267S01	WASHER B2P	4	EA
17	W267S05	WASHER B2P	1	EA
18	W267S06	WASHER B2P	4	EA
19	W59S01	NUT NYLOC BZP	2	EA
20	W59S03	NUT NYLOC BZP	2	EA
21	W7S04	M10 NUT BZP	3	EA
22	W8S04L	BOLT	1	EA
23	W8S04S	BOLT	1	EA
24	W95S03	NUT	1	EA

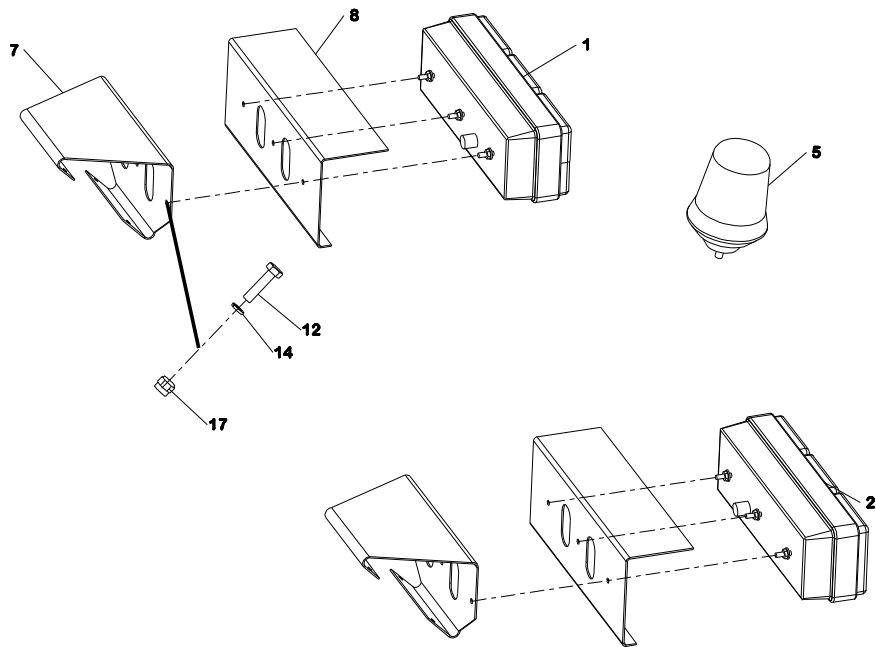
SX2/3000 SXR3000



LIGHTS-OPTION L.H. DIP

ITEM	PART NO.	DESCRIPTION	QTY	U/M
1	P266118-36	COMBINATION LAMP RH	1	EA
2	P266118-37	COMBINATION LAMP LH	1	EA
3	P266118-39	HEADLAMP LH MT LH DIP	1	EA
4	P266118-40	HEADLAMP LH MT LH DIP	1	EA
5	SX3452EZ1	BEACON	1	EA
6	SX442014	LIGHT GUARD	2	EA
7	SX442030	LAMP BRACKET	2	EA
8	SX442031	LAMP BRACKET	2	EA
9	SX442033	LAMP BRACKET	2	EA
10	SX715091	LAMP BRACKET	2	EA
11	W11S02B	SETSCREW	8	EA
12	W11S02C	SETSCREW	8	EA
13	W11S04C	SETSCREW	4	EA
14	W17S03	WASHER SPRING	8	EA
15	W267S04	WASHER BZP	8	EA
16	W267S18	WASHER BZP	4	EA
17	W59S14	NUT NYLOC BZP	8	EA
N/A	P266122/36	12V 21W SCC BULB	8	A/R
N/A	@52216	BULB SIDE LAMP 12V 5W	4	A/R
N/A	SX715114	LOOM KIT ROAD LIGHTS SX3	1	A/R

SX2/3000 SXR3000



Service And Warranty



Barford Site Dumpers give a warranty which subject to certain conditions, gives an assurance as to the quality of their product.

The warranty states:-

In the manufacture of Barford site dumpers we endeavour to ensure that only the best workmanship and materials are used. Consequently, provided:-

1. The machine has been used in accordance with our recommendations and,
2. That no alterations have been made to the machine without prior written approval and,
3. That the machine has been maintained, serviced and lubricated in accordance with our recommendations and,
4. That Barfords Warranty Certificate and /or New Machine Delivery Report has been completed and received by Barford within one month of delivery to the user.
5. That Barford receive a correctly completed claim form within thirty days of the failure occurring.
6. **UK**
That alleged defective parts are returned to Barford within 4 weeks of date of failure.
7. **All other territories**
That unless otherwise instructed the alleged defective parts are to be stored for inspection for a 6 month period from date of failure.

We will examine the alleged defective part and if we are reasonably satisfied that any defect is solely due to bad workmanship or materials, we will at our cost and at our option either repair any defective part or supply a replacement part in full discharge of all obligations upon us.

This warranty however, does not extend to recondition or second hand machines. For the avoidance of doubt, we will not entertain any other claims of a direct or consequential nature of whatsoever description and our responsibility is limited to the above.

The above warranty shall in no way detract from your statutory rights.

Warranty

It is important to use only genuine Barford spare parts and to adhere strictly to the conditions of operation and maintenance laid down by Barford Site Dumpers.

Your warranty may be invalidated if you do not comply with the above recommendations.